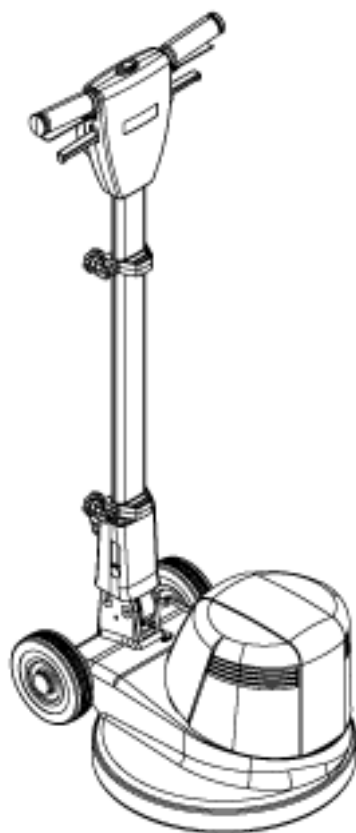


# PARTS LIST

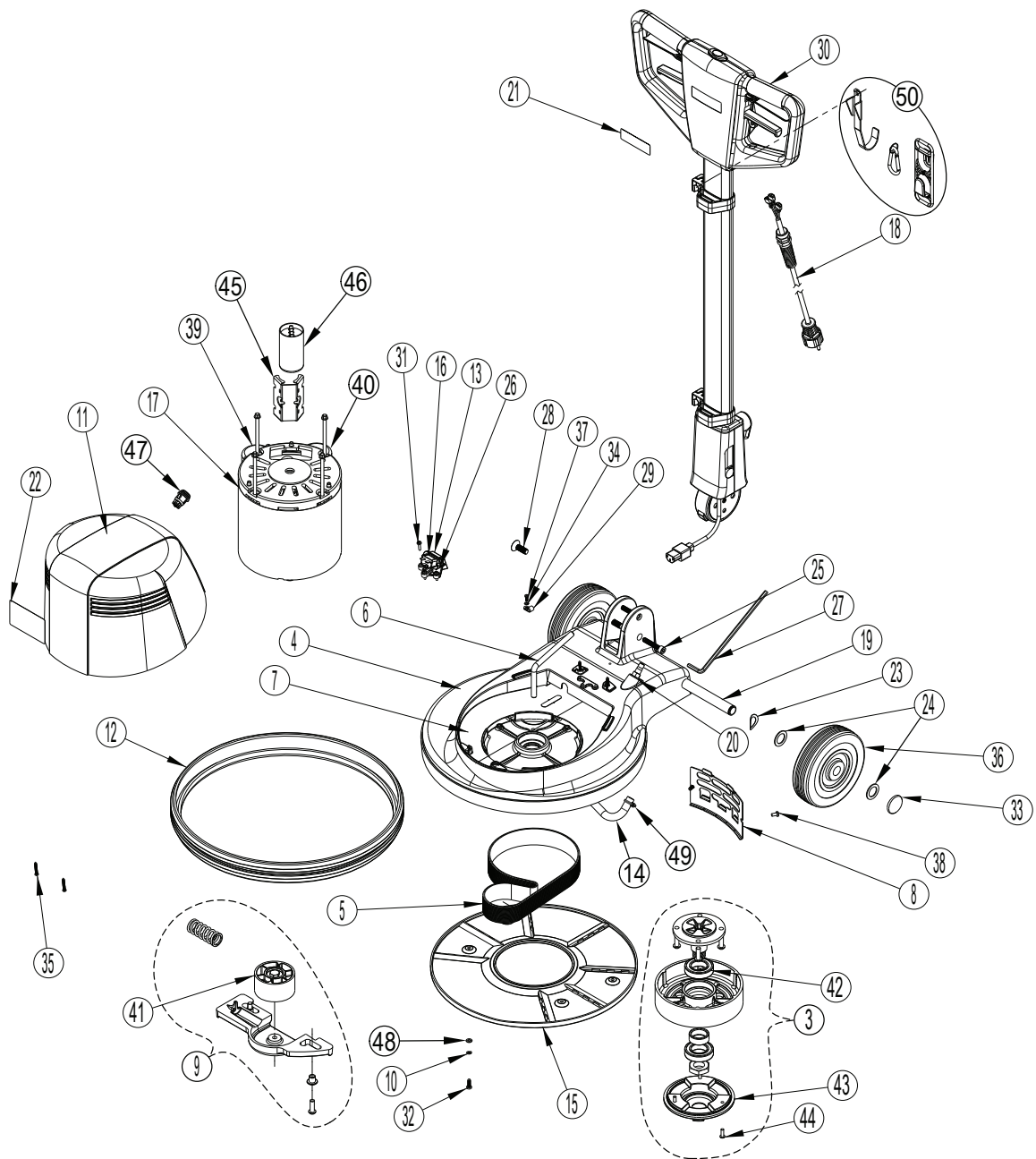


2021.02.02

# TABLE OF CONTENTS

---

Base system FM400 .....	1
Handle system .....	4
Recommended spare parts .....	7
Brush selector guide .....	10
Accessories .....	12
Solution tank kit 10104A .....	14
Spray buff kit 11295A .....	16
Dust collection kit 56381571 .....	18



Pos.	Product no	QTY	Description	Notes
	56380092-1	1	OUTER-BOX	
3	56380089	1	SPINDLE ASM	[1]
4	56380093	1	MAINFRAME NILFISK FM400	[2]
	56380094	1	MAINFRAME NILFISK FM400 D	[3]
5	56380104	1	BELT POLY V 838 PJ16	
6		1	Inlet Tubing	[4]
7	56381565	1	COOLING PLATE	
8	56381566	1	BACK COVER	
9	56381579	1	BELT TENSION ASM	[5]
10		4	Washer M5 Helical Lock	[6]
11		1	Cover Motor Asm	[7]
11		1	Cover Motor Asm Dual Speed	[8]
12	30272A	1	BUMPER	
13		1	Mount Inlet	[9]
14		1	Hose Solution	[4]
15		1	Cover Bottom	[6]
16		1	Inlet IEC 60320 C14	[9]
17	56384180	1	MOTOR LOW SPEED	[10]
	56384182	1	MOTOR HIGH SPEED	[11]
	56384181	1	MOTOR DUAL SPEED	[12]
18	40268A	1	CORD POWER	
	40249A	1	CORD POWER UK	
19	61956A	1	SHAFT WHEEL	
20		1	Hosebarb Straight	[4]
21		1	Label Handle Nilfi sk	[13]
22		1	Label Cover Motor FM400 (NOTES 1, 2)	[13]
		1	Label Cover Motor FM400 H (NOTES 3, 4)	[13]
		1	Label Cover Motor FM400 D (NOTES 5, 6)	[13]
23		2	Washer Bowed 20mm	[14]
24		4	Washer Flat 20mm	[14]
25		2	Screw M8 - 1 X 45 Socket Recess	[15]
26		2	Screw St4.2-1.4 X16 Ss Truss Hd Ph	[9]
27		1	Wrench Allen 6mm	[15]
28		2	Screw M10-1.5 X 30 Flat Head	[15]
29		1	Clamp-1/4 Cable/Tubing	[15]
30	56382011	1	NILFISK HANDLE ASM W/CEE 7/7	[16]
	56382012	1	NILFISK HANDLE ASM W/BS-1363	[17]
31		3	Scr, M4.7x16mm Pan Cross Recess Thd Form	[9]
32		4	Screw M5-.8 X 16	[6]
33		2	Wheel Retainer	[14]
34		1	Washer External Tooth M4	[15]
35		4	Screw St4-1.4 X 30 Pan Head	[18]
36		2	Wheel 160mm Dia. Gray	[14]
37		1	Scr M4 X 10 SS Pan Cross Recess	[15]
38	GT13054	2	SCREW PAN HEAD M5X12	
39	VF32109	1	RUNNING CAPACITOR 20UF/600V	[10]
	VF999848	1	RUN CAPACITOR 23F/500V	[19]
40	VF999849	1	START CAPACITOR 100F/300V	[10]
	GT17004	1	CAPACITOR	[20]
	GT17003	1	CAPACITOR	[3]
41	56380090	1	FLAT IDLER ASM	[5]
42	VF14061	2	BEARING 6006	[21]
43	56380099	1	DRIVER	[21]
44	56381538	3	SCR M5-.8X16 BTN HD SS	[21]
45	56381562	1	SADDLE START SWITCH	
46	47378A	1	SWITCH START 260V CUTOUT	
47	40264A	1	SWITCH ROCKER ON-ON	
48		4	Washer M5 X 12	[6]
49		1	Hose Clamp 10MM	[4]

Pos.	Product no	QTY	Description	Notes
50	56382010	1	CONVENIENCE KIT	
K1	11282A	2	WHEEL KIT	[22]
K2	11287A	1	DECAL KIT NILFISK	[23]
K3	56381563	1	NILFISK MOTOR COVER KIT	[24]
K4	56384047	1	COVER -DUAL SPEED NILFISK KIT	[25]
K5	56382001	1	INSTALLATION TOOL AND HARDWARE KIT	[26]
K6	56380089	1	SPINDLE ASM	[27]
K7	11284A	1	SOLUTION FITTINGS KIT	[28]
K8	11267A	1	BOTTOM COVER KIT	[29]
K9	11283A	1	INLET KIT	[30]
K10	56381579	1	BELT TENSION ASM	[31]
	53190A	1	START SWITCH	[32]

## Part Notes:

- [1] - Item 42, 43, 44  
TSB-FC-2013-108 foam protection kit for SD  
TSBFC 2013-108 FM Spintec Schaumschutz Satz
- [2] - FM400 L, FM400D
- [3] - FM400H
- [4] - K7
- [5] - K10
- [6] - K8
- [7] - K3  
FM400L, FM400H
- [8] - K4  
FM400D
- [9] - K9
- [10] - FM400L
- [11] - FM400H  
Refer to TSB-FC-2015-027 spares for old machines before W29/2015 may not be available
- [12] - FM400D  
Refer to TSB-FC-2015-027 spares to old machines before W29/2015 may not be available
- [13] - K2
- [14] - K1
- [15] - K5
- [16] - Includes 18 / PN 40268A
- [17] - Includes 18 / PN 40249A
- [18] - K3/K4
- [19] - FM400H, FM400D
- [20] - FM400D
- [21] - K6
- [22] - Includes pos. 23, 24, 33, 36
- [23] - Includes pos.21, 22
- [24] - Includes pos. 11, 35 (FM400L, FM400H)
- [25] - Includes pos. 11, 35 (For FM400D)
- [26] - Includes pos. 25, 27, 28, 29, 37
- [27] - Includes pos. 3, 42, 43, 44
- [28] - Includes pos. 6, 14, 49
- [29] - Includes pos. 10, 15, 32, 48
- [30] - Includes pos. 16, 26, 31
- [31] - Includes pos. 9, 41
- [32] - Only used on 40258A AND 40260A



Pos.	Product no	QTY	Description	Notes
01		3	WASHER SH 1210-00	
02		2	ACCESSORY CLAMP	
03		2	LEVER SWITCH	
04		1	LEVER SOLUTION	
05		1	LEVER HANDLE ADJUSTMENT	
06		1	CAP RUBBER	
07		1	COVER REAR	
08		1	COVER FRONT	
09		1	COVER HANDLE FRONT	
10		1	COVER HANDLE REAR	
11		1	HOOK CORD	
12	40263A	1	SWITCH DPST	
13	40269A	1	INTERCONNECT CORD	
14		1	OUTLET / WIRING ASSEMBLY	
15		1	SPRING INTERLOCK BUTTON	
16		2	KNOB CLAMP M6	
17		1	TUBE HANDLE	
18		1	INDEX GEAR	
19		1	HANDLE MOUNT	
20		4	PIN HANDLE SUPPORT	
21		1	PLUNGER	
22		1	HANDLE SUPPORT	
23		1	ROD INDEX	
24		2	PLATE, GEAR HOUSING	
25		1	SCREW M5 X 43 SS HEX HEAD	
26		1	SCREW M5 X 40 SS PAN HEAD PHILLIPS	
27		2	NUT HEX M3-0.5 SS	
28		2	SCREW M5 X 35 SS FLAT HEAD PHILLIPS	
29		6	SCREW M5 X 25 SS FLAT HEAD PHILLIPS	
30		2	SCR M6-1 X40 HEX SS	
31		2	WASHER FLAT 6.6X15.8X1.5 SS	
32		1	SCR SHOULDER 12MM X 35MM, M10-1.5	
33		1	SPRING 15 MM X 15 MM LONG	
34		1	WASHER M4 X16	
35		4	SCREW M6 X 40 SS HEX HEAD	
36		5	SCREW M5 X 12 SS TRUSS HEAD PHILLIPS	
37		4	SCREW M3 X 25 SS PAN HEAD PHILLIPS	
38		4	SCREW ST4-1.4 X 30 PAN HEAD1	
39		4	NUT M6 SS NYLON INSERT	
40		1	NUT M4 SS NYLON INSERT	
41		2	NUT M5 SS NYLON INSERT	
42		1	BUTTON INTERLOCK	
43		1	SPRING COMPRESSION	
44		1	HOUSING SPRING BLACK	
45		1	CLAMP CORD	
46		1	BALL INTERLOCK 10MM	
47		1	NUT M4 SS JAM	
48		4	SCREW, M4 X 8 SS PAN HEAD PHILLIPS	
49		1	BUSHING-OPEN/CLOSED .50	
50		2	SCR M4-.7 X 10MM FLT PHILLIPS	
51		2	WASHER M3 EXTERNAL TOOTH	
52		2	SWITCH LEVER SEAL	
53		1	RELEASE LEVER SEAL	
54		1	ACCESSORY LEVER SEAL	
55		1	SWITCH DRIP GUARD	
56	VF73708	1	WATERPROOF CAP	
57		2	SUPPORT HANDLE TUBE	
K1	11269A	1	CORD WRAP KIT	[1]
K2	11280A	1	HANDLE COVER KIT	[2]

Pos.	Product no	QTY	Description	Notes
K3	11273A	1	HANDLE SUPPORT KIT	[3]
K4	11274A	1	HANDLE SWITCH LEVER KIT	[4]
K5	11286A	1	RELEASE SPRING AND ROD KIT	[5]
K6	56381560	1	POLISHER GEAR SET KIT	[6]
K7	56381561	1	POLISHER GEAR HOUSING AND TUBE KIT	[7]
K8	11270A	1	OUTLET KIT	[8]
K9	11268A	2	MOUNT ACCESSORY KIT	[9]
K10	11271A	1	REAR AND FRONT COVER KIT	[10]

Part Notes:

- [1] - POS. 11, 12, 13, 32, 33
- [2] - POS. 9, 10, 28, 29
- [3] - POS. 1, 22, 25, 26, 36, 41
- [4] - POS. 3, 4, 5, 15, 20, 34, 37, 40, 42, 45, 46, 48, 51, 52, 53, 54, 55
- [5] - POS. 23, 34, 40, 43, 47
- [6] - POS. 18, 21, 24, 50
- [7] - POS. 17, 19, 35, 39, 44
- [8] - POS. 14, 27, 37
- [9] - POS. 2, 16, 30, 31
- [10] - POS. 6, 7, 8, 38, 49

**No  
Diagram  
Available**

**Parts List  
Only**

Pos.	Product no	QTY	Description	Notes
			FINAL ASSEMBLY	
			Extra-Ordinary Maintenance	
	40268A	1	CORD POWER	
	40249A	1	CORD POWER UK	
	56382010	1	CONVENIENCE KIT	
	56382011	1	NILFISK HANDLE ASM W/CEE 7/7	[1]
	56382012	1	NILFISK HANDLE ASM W/BS-1363	[2]
			BASE SYSTEM	
			Ordinary Maintenance	
	56380090	1	FLAT IDLER ASM	
	56380099	1	DRIVER	
	56380104	1	BELT POLY V 838 PJ16	
	30272A	1	BUMPER	
	56168786	1	CIRCUIT BREAKER 13A	[3]
	56384044	1	ROTARY SWITCH	
	56384432	1	CIRCUIT BREAKER BOOT	
	47378A	1	SWITCH START 260V CUTOUT	
	VF14061	2	BEARING 6006	
	VF32109	1	RUNNING CAPACITOR 20UF/600V	[4]
	VF999848	1	RUN CAPACITOR 23F/500V	[5]
	VF999849	1	START CAPACITOR 100F/300V	[4]
	GT17004	1	CAPACITOR	[6]
	GT17003	1	CAPACITOR	[7]
			Extra-Ordinary Maintenance	
	56380089	1	SPINDLE ASM	[8]
	56380093	1	MAINFRAME NILFISK FM400	[9]
	56380094	1	MAINFRAME NILFISK FM400 D	[10]
	56381562	1	SADDLE START SWITCH	
	56381566	1	BACK COVER	
	56381565	1	COOLING PLATE	
	56381579	1	BELT TENSION ASM	
	11287A	1	DECAL KIT NILFISK	
	56381563	1	NILFISK MOTOR COVER KIT	
	56384153	1	COVER HIGH SPEED NILFISK KIT	
	56384047	1	COVER -DUAL SPEED NILFISK KIT	
	11267A	1	BOTTOM COVER KIT	
	11282A	2	WHEEL KIT	
	11283A	1	INLET KIT	
	11284A	1	SOLUTION FITTINGS KIT	
	56384180	1	MOTOR LOW SPEED	
	56384181	1	MOTOR DUAL SPEED	
	56384182	1	MOTOR HIGH SPEED	
	61956A	1	SHAFT WHEEL	
	53190A	1	START SWITCH	[11]
			HANDLE ASSEMBLY	
			Ordinary Maintenance	
	11268A	2	MOUNT ACCESSORY KIT	
	11274A	1	HANDLE SWITCH LEVER KIT	
	40263A	1	SWITCH DPST	
			Extra-Ordinary Maintenance	
	56381560	1	POLISHER GEAR SET KIT	
	56381561	1	POLISHER GEAR HOUSING AND TUBE KIT	
	11269A	1	CORD WRAP KIT	
	11270A	1	OUTLET KIT	
	11271A	1	REAR AND FRONT COVER KIT	
	11273A	1	HANDLE SUPPORT KIT	
	11280A	1	HANDLE COVER KIT	
	11286A	1	RELEASE SPRING AND ROD KIT	
	40269A	1	INTERCONNECT CORD	

# Recommended spare parts

FM400 D

2017.11.02

2015.08.31

---

Pos.	Product no	QTY	Description	Notes
	VF73708	1	WATERPROOF CAP	

## Part Notes:

- [1] - includes PN 40268A
- [2] - includes PN 40249A
- [3] - GUARANTEE DATE EXPIRED
- [4] - FM400 L, FM400 L UK
- [5] - FM400 H, FM400 H UK, FM400 D, FM400 D UK
- [6] - FM400 D, FM400 D UK
- [7] - FM400 H, FM400 H UK
- [8] - TSBFC 2013-108 FM Spintec Schaumschutz Satz  
TSB-FC-2013-108 foam protection kit for SD
- [9] - FM400
- [10] - FM400 D
- [11] - Only used on 56384180 AND 56384182. Revised or new since last update

**BRUSH SELECTOR GUIDE**

17" (430 mm) Brush Selection Chart (RECOMMENDED)			
Part No.	Description	Filament	Trim
11296A	Polishing	Union Mix (50% PALMYRA 50% White Tampico)	Straight
11297A	Carpet	Ø .30mm PA 66 Natural	Straight
11298A	Light-Medium Cleaning	Ø .35mm PP Grey	Straight
11299A	Medium-Heavy Cleaning	Ø .50mm PP Black	Straight
11310A	Heavy Cleaning/ Stripping	50/80/30 Silicon Carbide	Irregular

Description	P/N	56380056 FM400 L	56380057 FM400 L UK	56380058 FM400 H	56380060 FM400 H UK	56380061 FM400 D	56380062 FM400 D UK
Polishing Brush	11296A			X	X	X	X
Carpet Brush	11297A	X	X				
Light-Medium Cleaning Brush	11298A	X	X			X	X
Medium Cleaning Brush	11299A	X	X			X	X
Heavy Cleaning/Stripping Brush	11310A	X	X			X	X
Brush-Shampoo Commercial Crpt	56383868	X	X				
Pad Driver-Low Speed-430 MM	11315A	X	X			X	X
Pad Driver-High Speed-Flex	11316A			X	X	X	X
Pad Driver-High SP-Flex-Foam	56381578			X	X	X	X
BLACK 406mm PAD 5 PK		X	X			X	X
BROWN 406mm PAD 5 PK		X	X			X	X
GREEN 406mm PAD 5 PK		X	X			X	X
BLUE 406mm PAD 5 PK		X	X			X	X
RED 406mm PAD 5 PK		X	X	X	X	X	X
WHITE 406mm PAD 5 PK		X	X	X	X	X	X

- Black** – Stripping – For long lasting, heavy duty stripping.
- Brown** – Stripping – For fast, uniform stripping, wet or dry.
- Green** – Scrubbing – For wet, heavy duty scrubbing.
- Blue** – Scrubbing – For wet, medium duty scrubbing.
- Red** – Buf ng – For dry buf ng, spray buf ng or light duty scrubbing.
- White** – Polishing – For dry polishing or with ne water mist to ensure high gloss.

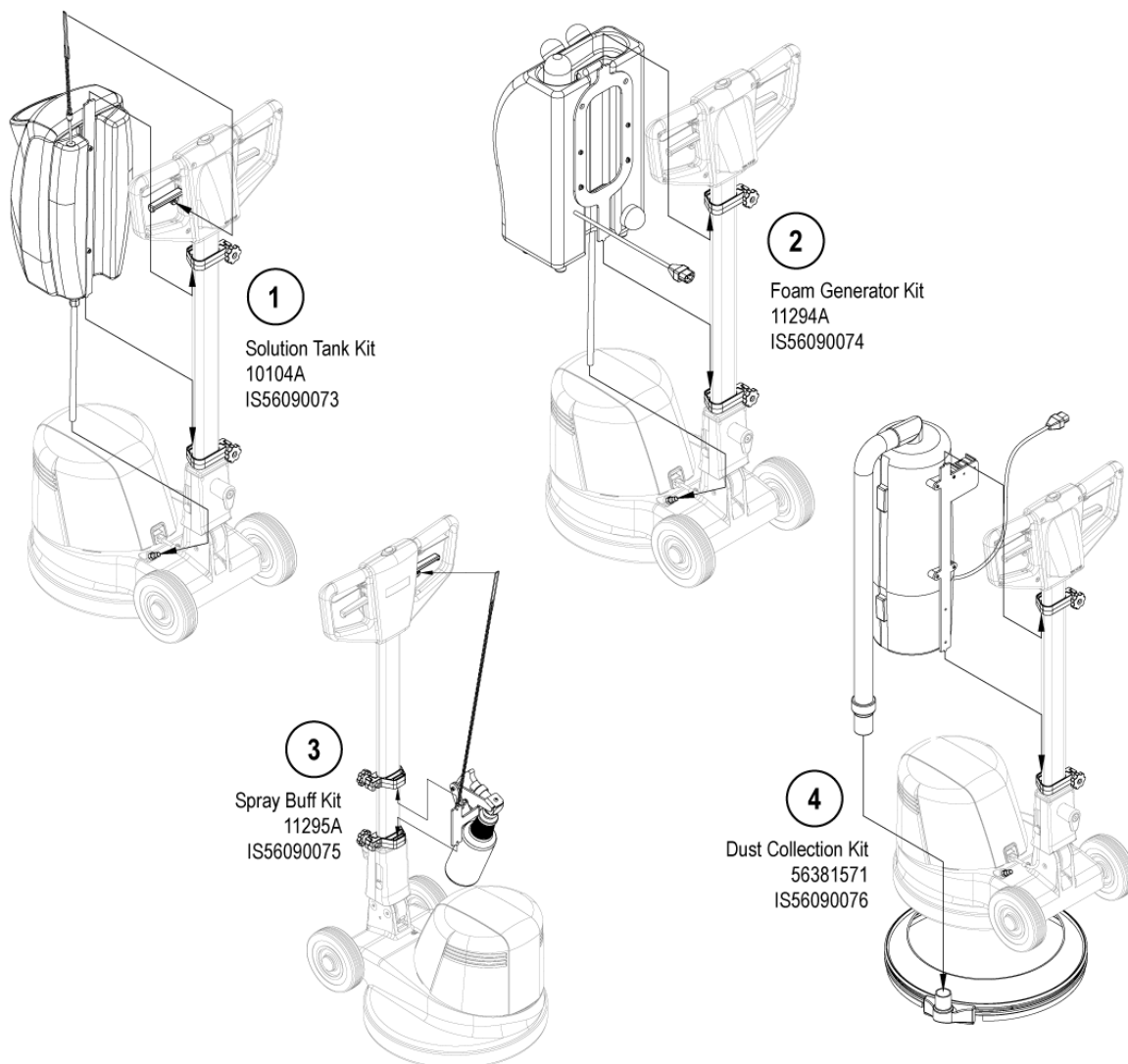
---

<b>Pos.</b>	<b>Product no</b>	<b>QTY</b>	<b>Description</b>	<b>Notes</b>
01	11296A	1	POLISHING BRUSH 430MM	
02	56383868	1	SHAMPOO CARPET BRUSH 430MM	
03	11298A	1	LIGHT-MEDIUM CLEANING BRUSH 430MM	
04	11299A	1	MEDIUM-HEAVY CLEANING BRUSH 430MM	
05	11310A	1	HEAVY CLEANING STRIPPING BRUSH 430MM	
10	11315A	1	PAD DRIVER-LOW SPEED-430 MM	
11	11316A	1	PAD DRIVER-HIGH SPEED-FLEX	
12	56381578	1	PAD DRIVER-HIGH SP-FLEX-FOAM	

Description	P/N	56380056 FM400 L	56380057 FM400 L UK	56380058 FM400 H	56380060 FM400 H UK	56380061 FM400 D	56380062 FM400 D UK
Literature Pack	56044439	X	X	X	X	X	X
(1) Solution Tank Kit*	10104A	X	X			X	X
(2) Foam Generator Kit*	11294A	X	X				
(3) Spray Buff Kit*	11295A	X	X	X	X	X	X
(4) Dust Collection Kit*	56381571			X	X	X	X

\* = Optional, Not Included

**NOTE** = Replacement parts for the kits listed above (1-4) can be found on each kit's associated instruction sheet.

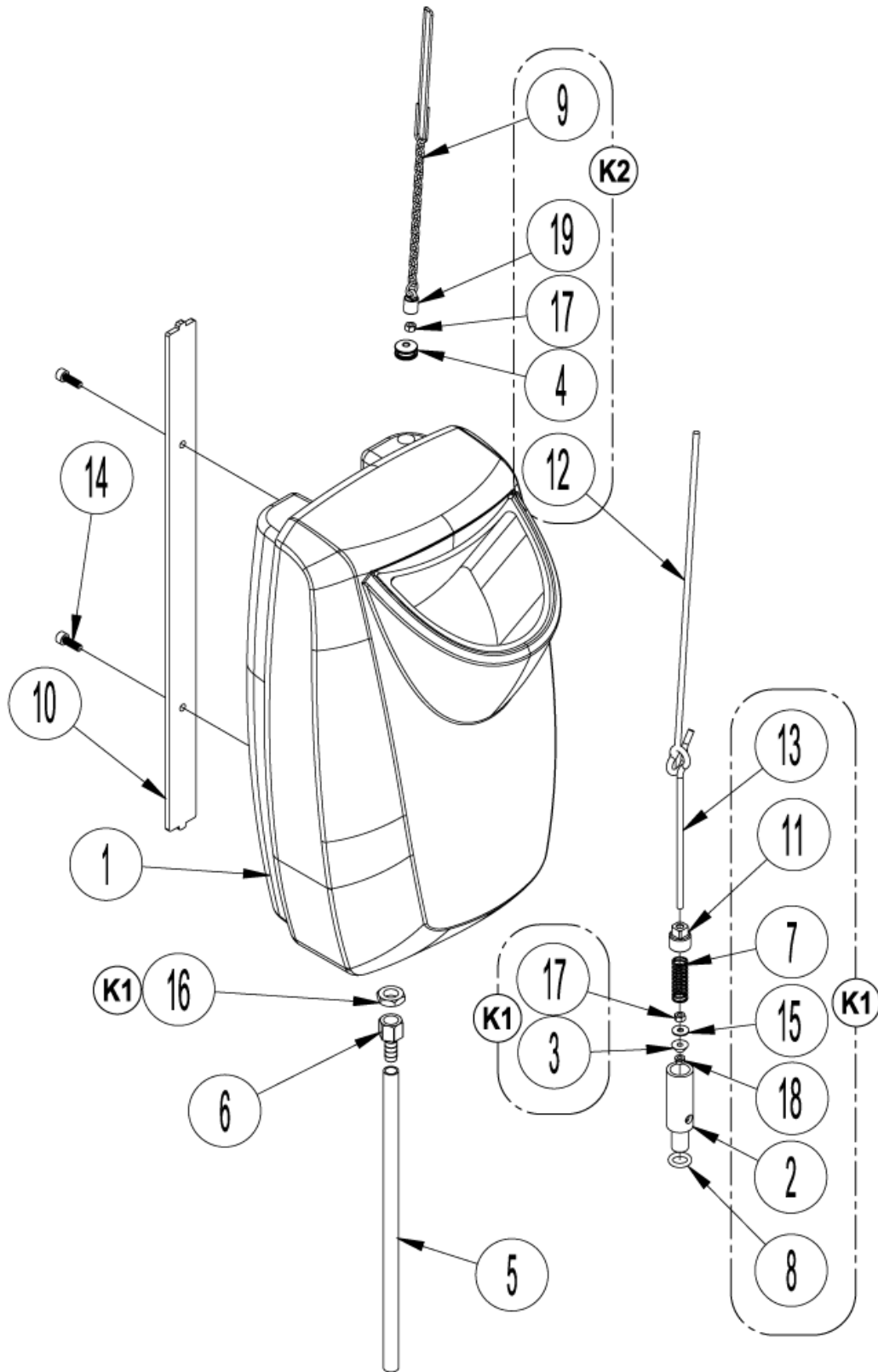


---

Pos.	Product no	QTY	Description	Notes
1	10104A	1	SOLUTION TANK ACC KIT	[1]
2	11294A	1	FOAM GENERATOR KIT	[2]
3	11295A	1	SPRAY BUFF KIT	[3]
4	56381571	1	DUST COLLECTION KIT	[4]

## Part Notes:

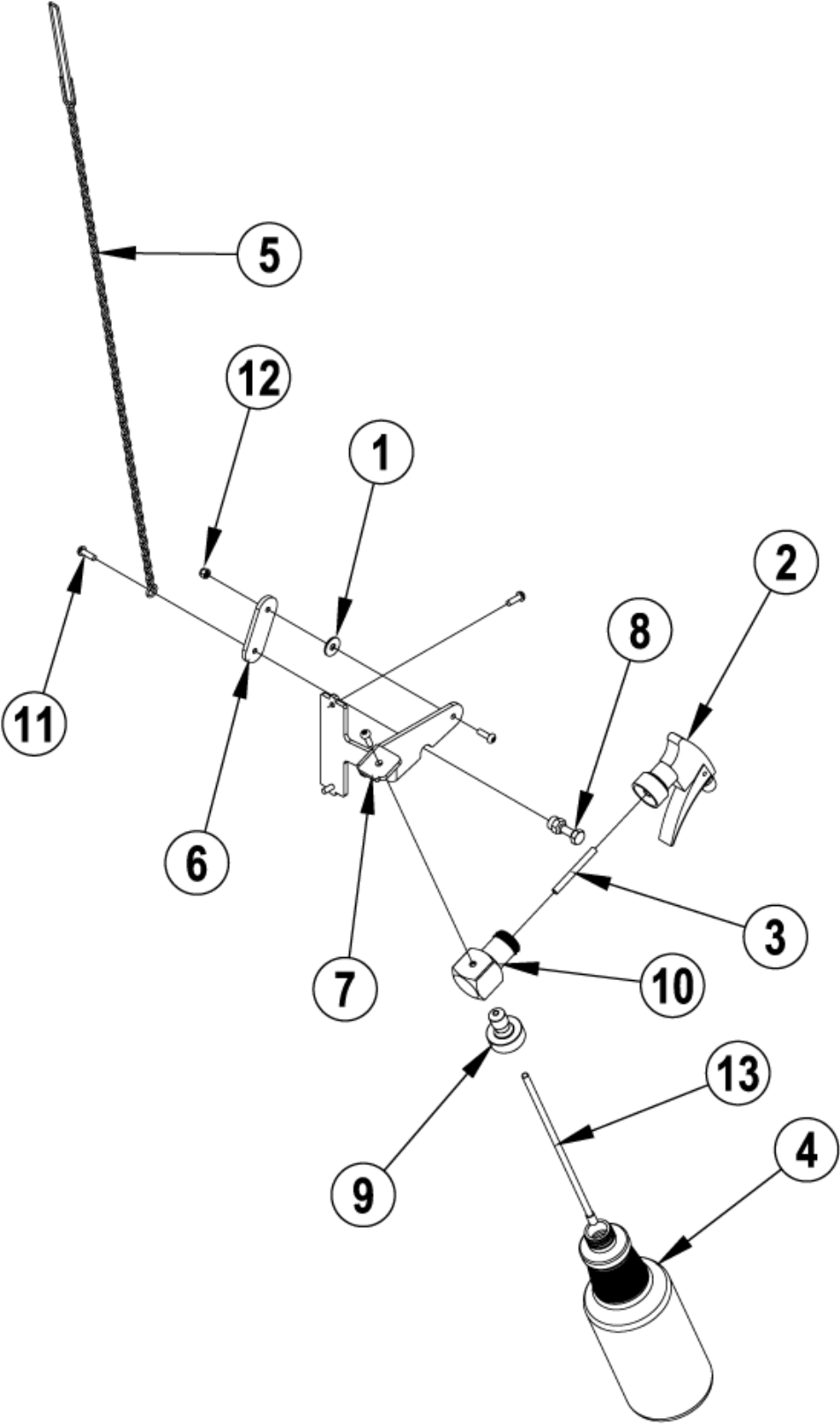
- [1] - Not for FM400 H
- [2] - Not for FM400H and FM400 D
- [3] - PRUNED WITH NO REPLACEMENT
- [4] - BOM COMPONENT OBSOLETE  
Not FM400 L



Pos.	Product no	QTY	Description	Notes
00	10104A	1	SOLUTION TANK ACC KIT	
1	30249A	1	TANK SOLUTION	
2		1	BODY VALVE PLASTIC	
3	VF40134	1	SEAL RUBBER	
4		1	SEAL	
5	30869A	1	TUBING VINYL	
6	VF40132	1	BARB HOSE	[1]
7		1	SPRING COMPRESSION S.S.	
8		1	O-RING	
9		1	CHAIN ASM	
10	60023A	1	BRACKET MOUNTING SOLUTION TANK	
11		1	BONNET M18X1.5 NYLON	
12		1	ROD UPPER PULLING BRASS	
13		1	ROD LOWER PULLING BRASS	
14	VF13498	2	SCREW M6X20	
15		1	WASHER, PLAIN 5MM BRASS	
16		1	NUT HEX M14X1.5 BRASS	
17		2	NUT HEX M5X0.8 BRASS	
18		1	NUT HEX FLANGED M5X0.8 BRASS	
19		1	NUT EYE M5	
K1	11278A	1	SOLUTION VALVE ASSEMBLY	
K2	11277A	1	SOLUTION TANK UPPER HARDWARE KIT	

## Part Notes:

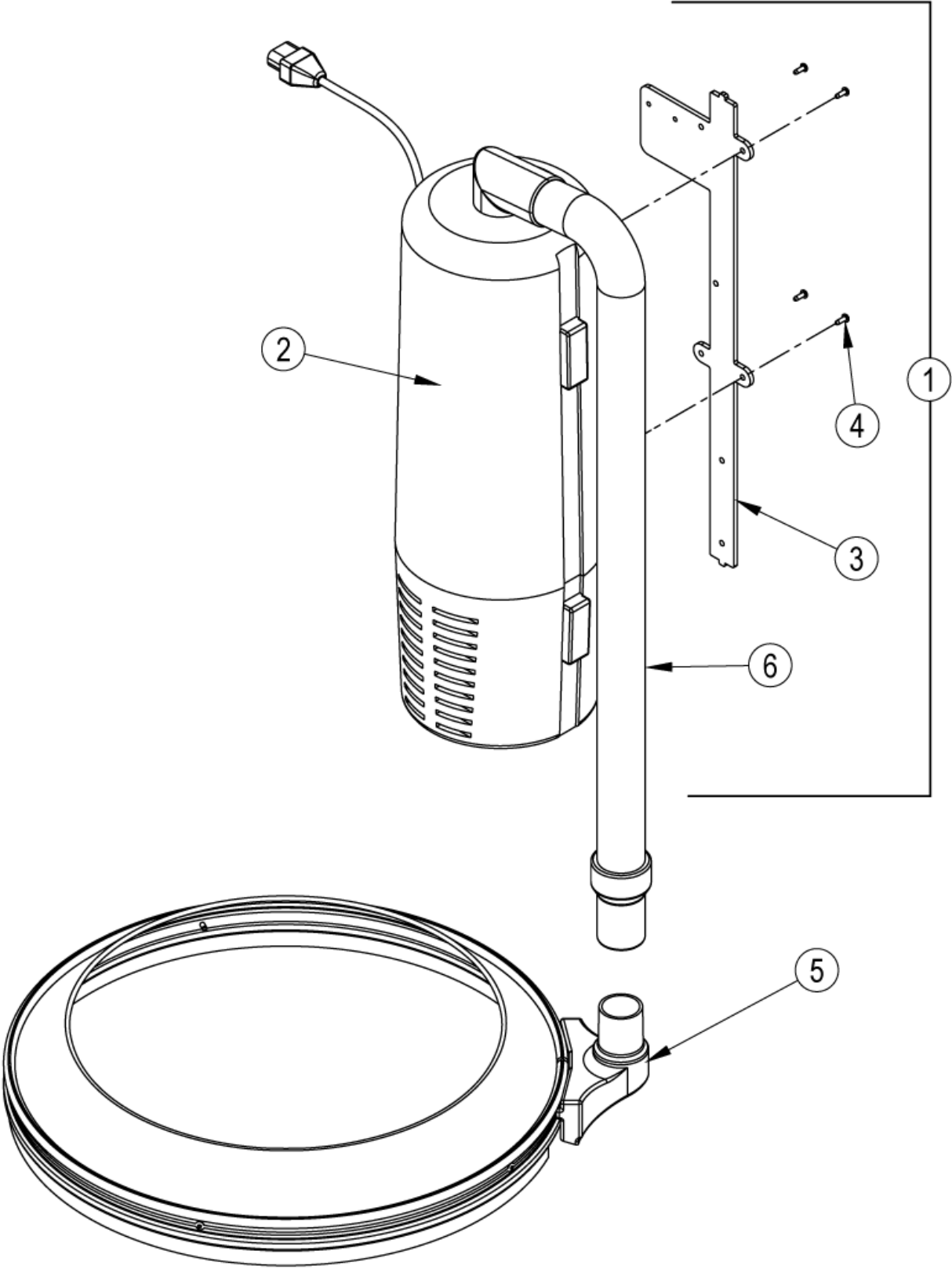
[1] - Included in kit 1 #11278A



Pos.	Product no	QTY	Description	Notes
00	11295A	1	SPRAY BUFF KIT	[1]
01		1	Washerfl t.750x.250x.062Nylon	[2]
02		1	Spray Buff Pump	[3]
03		1	Tube	[4]
04		1	Bottle Plastic Quart Carafe	[5]
05		1	Chain Asm	[6]
06		1	Link Spray Buff	[7]
07		1	Bracket Spray Buff	[8]
08		1	Actuator	[9]
09		1	Mount	[10]
10		1	Adaptor	[11]
11	VA13474	5	SCREW M5 X 16	
12		1	Nut M5 Ss Nylon Insert	[12]
13		1	Tube Dip	[13]
K1	56382005	1	SPRAY BUFF REPAIR KIT	[14]

## Part Notes:

- [1] - PRUNED WITH NO REPLACEMENT
- [2] - Washerfl t.750x.250x.062Nylon
- [3] - Spray Buff Pump
- [4] - Tube
- [5] - Bottle Plastic Quart Carafe
- [6] - Chain Asm
- [7] - Link Spray Buff
- [8] - Bracket Spray Buff
- [9] - Actuator
- [10] - Mount
- [11] - Adaptor
- [12] - Nut M5 Ss Nylon Insert
- [13] - Tube Dip
- [14] - Includes pos. 2,3,4,5,8,11,13



---

Pos.	Product no	QTY	Description	Notes
00	56381571	1	DUST COLLECTION KIT	[1]
1		1	Dust Control Assy	[2]
2		1	Vacuum Assembly	
3		1	Bracket	
4		4	Screw M4-1.79 x 20mm	
5	10394A	1	DUST SKIRT ASM	
6	147 1237 500	1	HOSE CPL.L1250	
NI	147 1098 500	1	DUST BAG KIT 5L 5-PCS	

## Part Notes:

- [1] - BOM COMPONENT OBSOLETE
- [2] - Refer to the GD 5, GD 10, GD 5 Battery parts list for Dust Control Assy replacement parts.

