

PARTS LIST

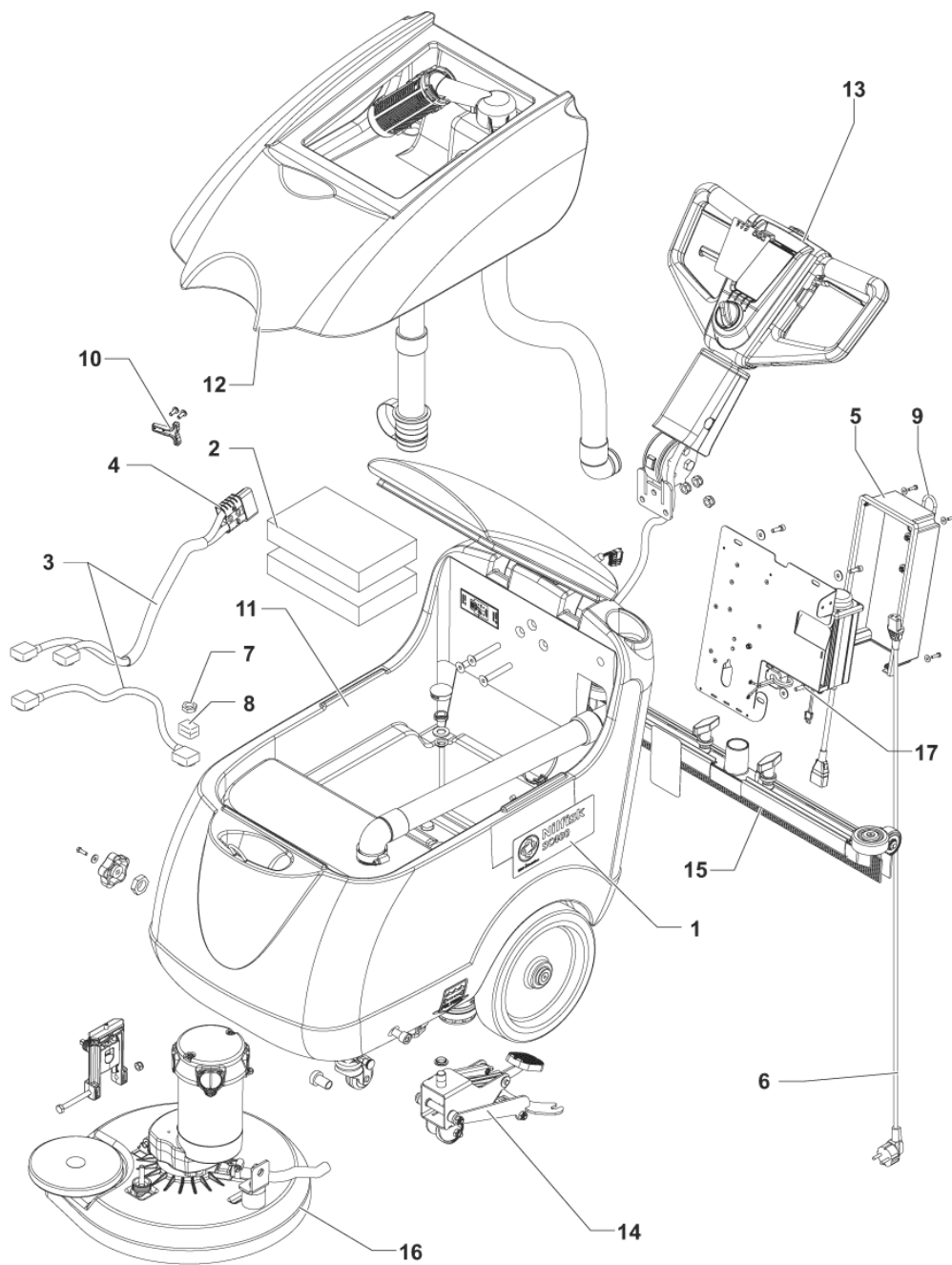


2023.11.16

NILFISK

TABLE OF CONTENTS

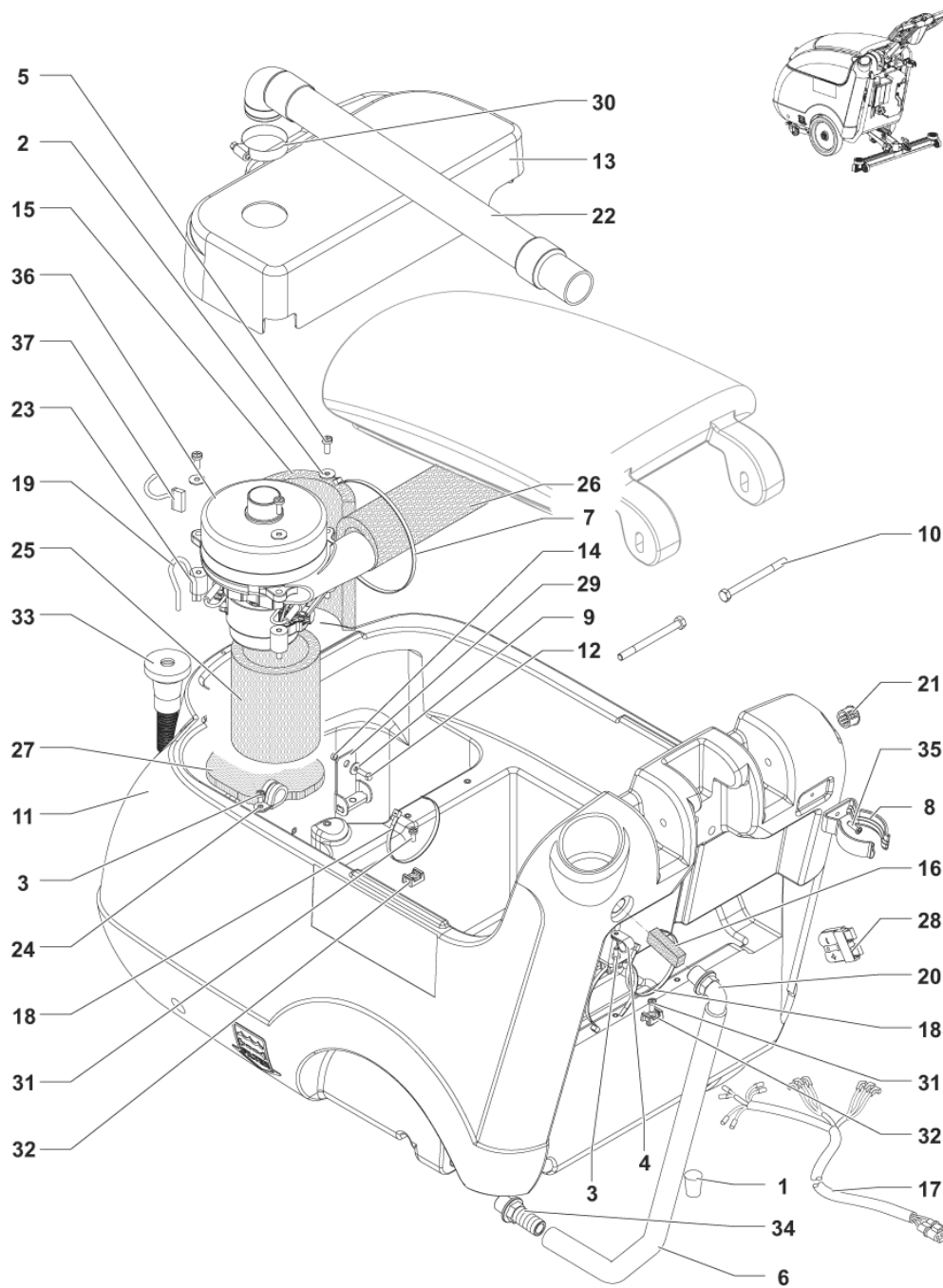
| | |
|----------------------------------|----|
| GENERAL SYSTEM | 1 |
| SOLUTION SYSTEM | 3 |
| FILTER AND WHEELS SYSTEM | 5 |
| RECOVERY SYSTEM | 7 |
| HANDLE SYSTEM | 9 |
| SQUEEGEE AND LIFT SYSTEM | 11 |
| BRUSH SYSTEM | 13 |
| WIRING SYSTEM | 15 |
| WIRING SYSTEM - 9087325020 | 17 |
| ACCESSORIES | 19 |
| RECOMMENDED SPARE PARTS | 21 |



| Pos. | Product no | QTY | Description | Notes |
|------|------------|-----|--|-------|
| 1 | 9099761000 | 1 | DECALS SC400 NIL KIT | |
| 2 | L08812670 | 2 | PANEL BATTERY FOAM ADHES. 220X140X40MM | |
| 3 | 9100001952 | 1 | HARNES BATTERY KIT | |
| 4 | 9100002248 | 1 | CONNECTOR 50A RED SIP | |
| 5 | 9099762000 | 1 | COVER ELECTRIC BOX KIT | |
| 6 | 9100000790 | 1 | CABLE EXTENSION EU PLUG L.1000MM SIP | |
| 7 | 9099757000 | 1 | NUT HEX M8 INSULATING PLASTIC | |
| 8 | 9099756000 | 1 | FUSE BATTERY CLAMP 125A | |
| 9 | 1466317000 | 1 | SUPPORT BATTERY CHARGER CABLE KIT | |
| 10 | 9100000885 | 1 | HANDLE F BATTERY CONNECTOR SIP | |
| 11 | | 1 | Solution system | [1] |
| 12 | | 1 | Recovery system | [2] |
| 13 | | 1 | Handle system | [3] |
| 14 | | 1 | Squeegee and lift sytem | [4] |
| 15 | | 1 | Squeegee | [5] |
| 16 | | 1 | Brush system | [6] |
| 17 | | 1 | Wiring system | [7] |
| | 9099187000 | 1 | CARDBOARD BOX 1120X650X790MM | [8] |

Part Notes:

- [1] - Solution system SOLUTION SYSTEM
- [2] - Recovery system RECOVERY SYSTEM
- [3] - Handle system HANDLE SYSTEM
- [4] - SQUEEGEE AND LIFT SYSTEM
- [5] - SQUEEGEE
- [6] - BRUSH SYSTEM
- [7] - WIRING SYSTEM
WIRING SYSTEM - 9087325020
- [8] - NO LONGER AVAILABLE



| Pos. | Product no | QTY | Description | Notes |
|------|--------------|-----|--|-------|
| 6 | 9098446000 | 1 | HOSE SOLUTION | |
| 8 | 909 6380 000 | 1 | CLAMP KIT | |
| 11 | 9100001944 | 1 | TANK SOLUTION 23L PLAST. GREY SIP | |
| 13 | 9098466000 | 1 | COVER MOTOR | [1] |
| 15 | 9098801000 | 1 | FILTER SOUND ABSORBENT | [1] |
| 16 | 9098802000 | 1 | FILTER LEVEL WATER HOSE | [1] |
| 17 | 9099103000 | 1 | HARNESS MACHINE | [1] |
| 19 | 9099178000 | 1 | SUPPORT BRUSH | [1] |
| 20 | 9100001211 | 1 | ELBOW 90 D.20 G1/2 M KIT | |
| 22 | 909 5579 000 | 1 | HOSE VACUUM MOTOR | |
| 25 | 909 5564 000 | 1 | HOSE ACOUSTIC INSULATION L.125MM FOAM | |
| 26 | 909 5565 000 | 1 | PIPE ACOUSTIC INSULATION | |
| 27 | 9099184000 | 1 | FILTER FOAM MOTOR | |
| 28 | 9100002248 | 1 | CONNECTOR 50A RED SIP | |
| 29 | 9099195000 | 1 | SUPPORT ADJUSTING FRONT CPL | |
| 33 | 9097290000 | 1 | HOSE FILLING | [2] |
| 34 | 9100000574 | 1 | BARB HOSE STRAIGHT D.19.8 G1/2 PLAST KIT | |
| 36 | 9100000959 | 1 | MOTOR VACUUM 300W 24V KIT | |
| 37 | 909 5371 000 | 2 | CARBON BRUSH | |
| K1 | 9099763000 | 1 | HARDWARE SOLUTION TANK KIT | [3] |

Part Notes:

- [1] - STOCK COVERS GUARANTEE
- [2] - SEE TSB-FC-2016-020
- [3] - NOT SHOWN (POS.1-2-3-4-5-7-9-10)

FILTER AND WHEELS SYSTEM

SC400 B NIL

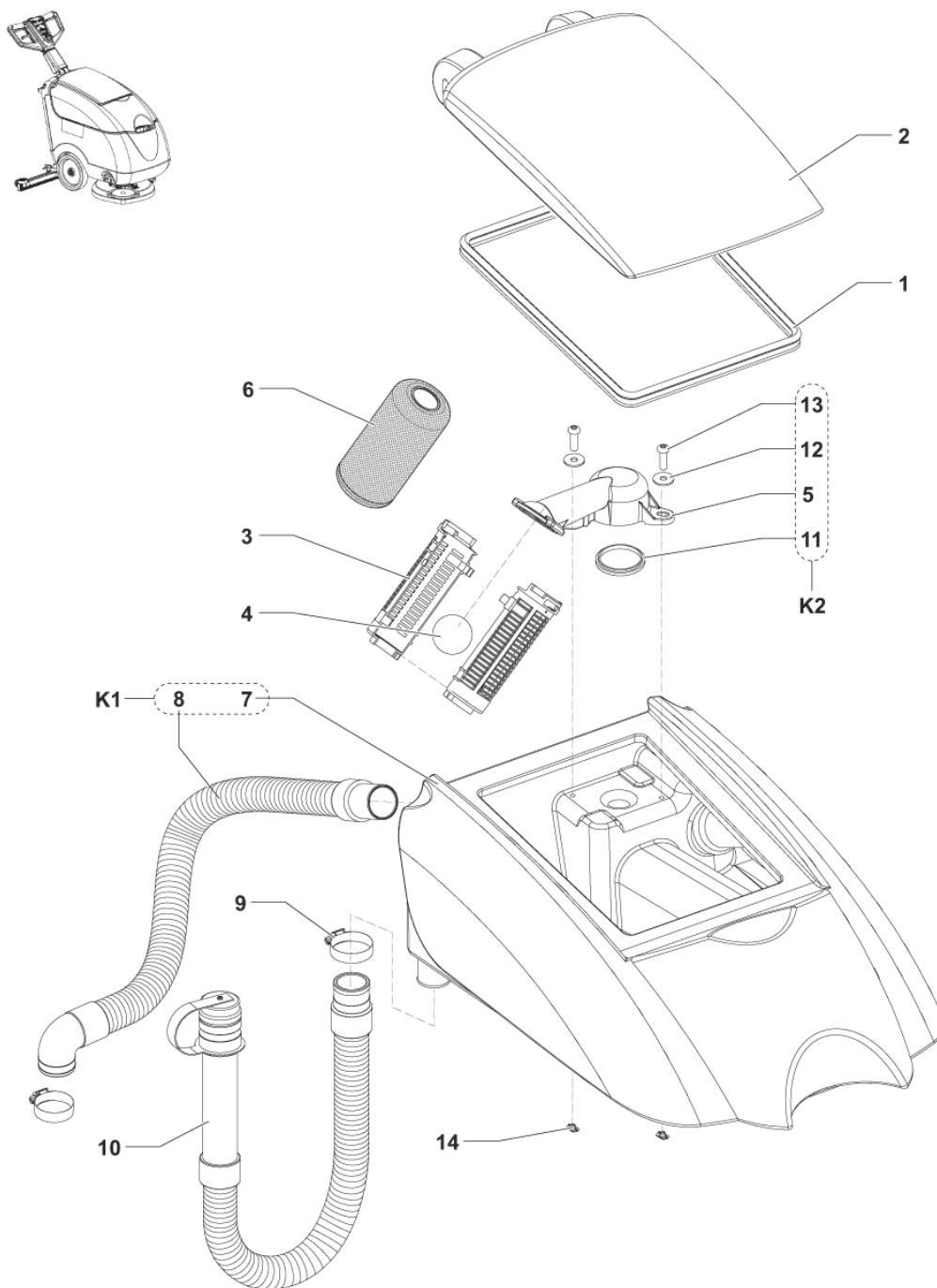
2017.11.02

2017.03.08

| Pos. | Product no | QTY | Description | Notes |
|------|--------------|-----|---|-------|
| 6 | 9097626000 | 1 | VALVE BALL ELBOW D.13 KIT | |
| 7 | 9100000861 | 1 | NET WATER FILTER REINFORCED SIP | |
| 9 | 9099778000 | 1 | HOSE SOLUTION FILTER KIT | |
| 11 | 9099200000 | 1 | SPACER ADHESIVE RUBBER | [1] |
| 12 | 9100000870 | 1 | SOLENOID VALVE 24V SIP | |
| 13 | 9099179000 | 1 | SUPPORT FILTER AND SOLENOID VALVE | [1] |
| 14 | 9100001353 | 1 | FILTER SOLUTION TANK | [2] |
| 16 | 9100000961 | 1 | WHEEL CASTOR D.51X25 SS SIP | |
| 20 | 909 5641 000 | 1 | PLUNGER M10 D.6 | |
| 26 | 9100002136 | 1 | WASHER COUNTERSUNK 9X30 H.6 - 2 PCS SET | |
| 27 | 9099410000 | 2 | WHEEL D.250X50 GREY-BLACK | |
| K1 | 9100000860 | 1 | FILTER WATER SIP | [3] |
| K2 | 9099705000 | 1 | SUPPORT MACHINE ASSEMBLED KIT | [4] |
| K3 | 9099765000 | 1 | SHAFT WHEELS KIT | [5] |
| K4 | 9099766000 | 1 | HARDWARE FILTER AND SUPPORT KIT | [6] |

Part Notes:

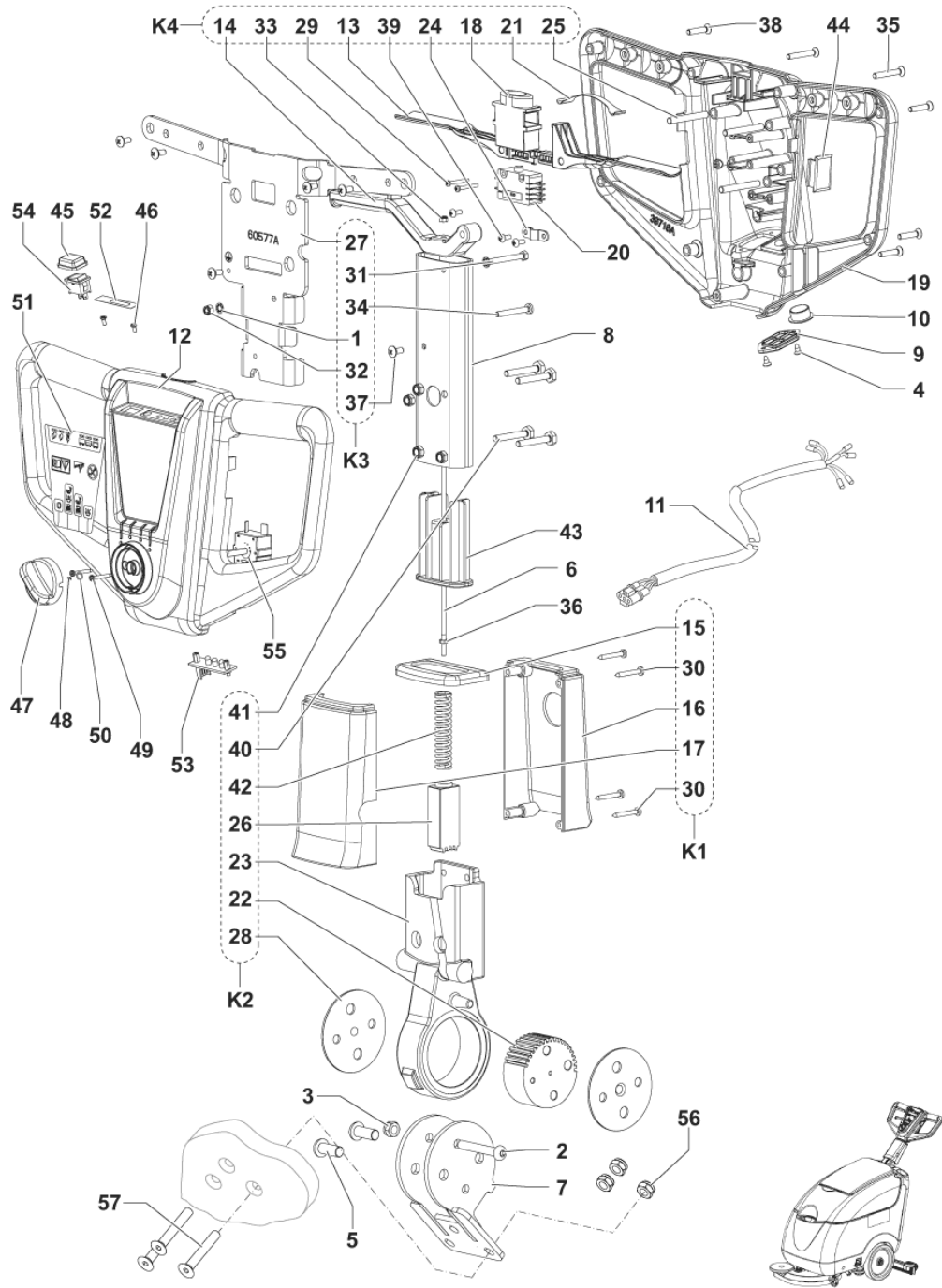
- [1] - STOCK COVERS GUARANTEE
- [2] - OPTION
- [3] - (POS.7-8)
- [4] - (POS.15-16-17-18-19-20-21)
- [5] - NOT SHOWN (POS.25-26-28-29-30-31)
- [6] - NOT SHOWN (POS.1-2-3-4-5-10-22-23-24)



| Pos. | Product no | QTY | Description | Notes |
|------|--------------|-----|---|-------|
| 1 | 9100000819 | 1 | GASKET BULB RUBBER L.1670MM SIP | |
| 2 | 9100001948 | 1 | COVER PLAST. GREY F TANK 21L SIP | |
| 3 | 9100000818 | 1 | CAGE FLOAT HALF 2 PCS SET | |
| 7 | 9100000817 | 1 | BALL FLOATING SIP | |
| 6 | 909 5065 000 | 1 | FILTER ANTIFOAMING | [1] |
| 8 | 9100001947 | 1 | HOSE SUCTION SQUE. 90 BLACK L.850MM SIP | |
| 9 | 9100001348 | 1 | CLAMP HOSE 32-52/12 10 PCS SET | |
| 10 | 9099692000 | 1 | HOSE DRAIN BLACK L.611MM SIP | |
| K1 | 909 6061 000 | 1 | TANK RECOVERY 21L PLAST. GREY KIT | [2] |
| K2 | 9100001875 | 1 | SUPPORT FLOAT KIT | [3] |

Part Notes:

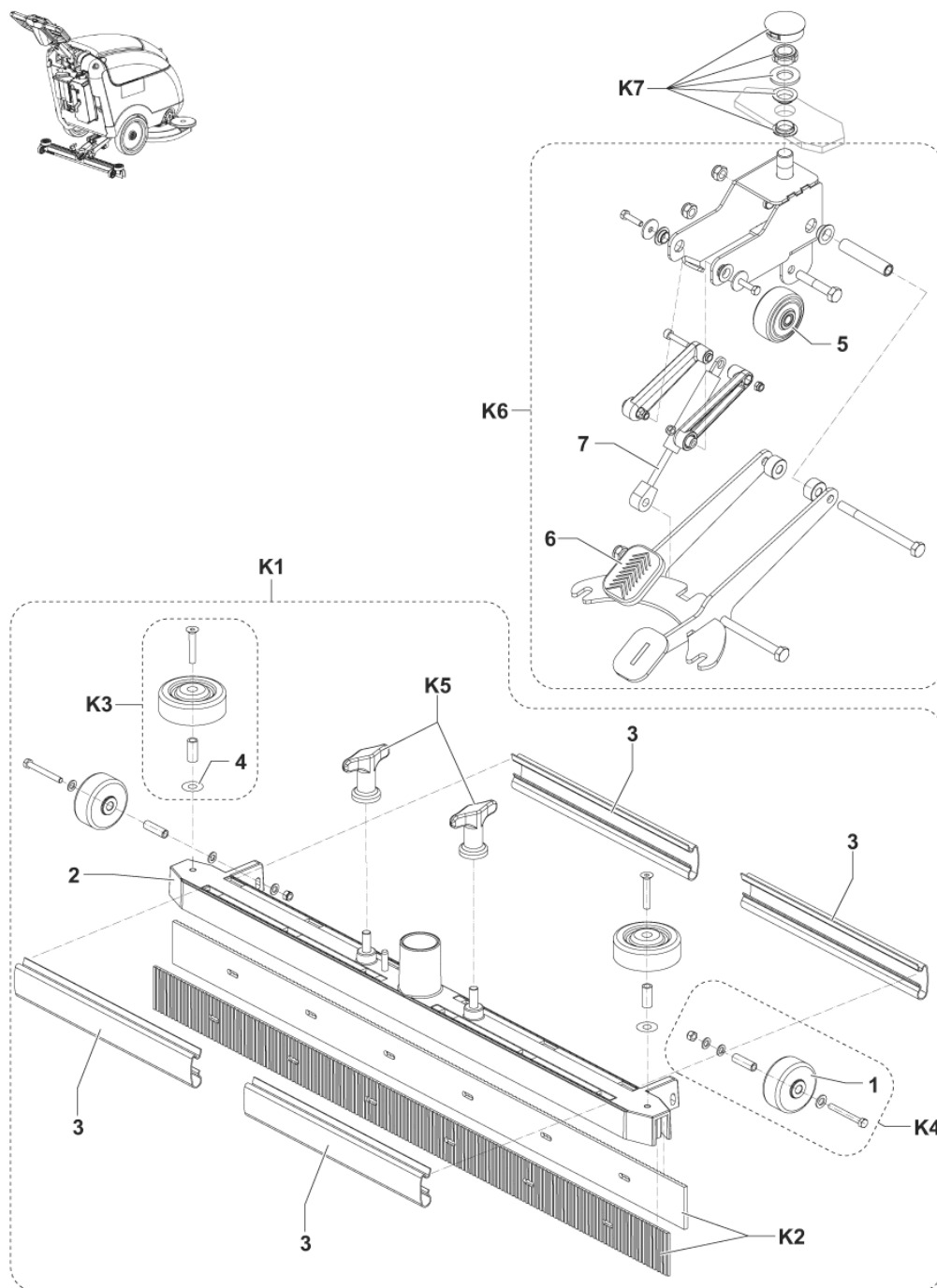
- [1] - OPTION
- [2] - (POS.7-8)
- [3] - (POS.5-11-12-13-14)



| Pos. | Product no | QTY | Description | Notes |
|------|------------|-----|------------------------------|-------|
| 00 | 9098807000 | 1 | HANDLE BAR COMPLETE | [1] |
| 6 | 9098805000 | 1 | ROD HANDLE ADJUSTING | |
| 7 | 9098806000 | 1 | SUPPORT HANDLE | |
| 8 | 9098808000 | 1 | TUBE HANDLE | |
| 9 | 9098812000 | 1 | CAP FOR HANDLE | |
| 10 | 9098813000 | 1 | CAP D.18.5/D.24MM BLACK | |
| 11 | 9099054000 | 2 | CABLE HANDLE BAR | |
| 12 | 910000101 | 1 | COVERS HANDLE GREY KIT | |
| 19 | 910000101 | 1 | COVERS HANDLE GREY KIT | |
| 20 | 40263A | 1 | SWITCH DPST | |
| 36 | VV13609 | 1 | NUT M4 | |
| 43 | VF47033 | 1 | RETAINER | |
| 44 | VF54041 | 1 | HANDLE PLUG | |
| 45 | L08603154 | 1 | CAP PROTECTION | |
| 47 | 9097283000 | 1 | KNOB CONTROL FUNCTIONS | |
| 51 | 9099056000 | 1 | DECAL CONTROL PANEL | [2] |
| 52 | 9098616000 | 1 | DECAL BATTERY LED | |
| 53 | 9099053000 | 1 | CARD TWO-COLOURED LED | [2] |
| 54 | 9099107000 | 1 | SWITCH SINGLE-POLE MOMENTARY | [2] |
| 55 | 9099332000 | 1 | SWITCH ROTATIVE 4 POSITIONS | |
| K1 | 11271A | 1 | REAR AND FRONT COVER KIT | [3] |
| K2 | 11272A | 1 | LOWER HOUSING KIT | [4] |
| K3 | 11273A | 1 | HANDLE SUPPORT KIT | [5] |
| K4 | 11274A | 1 | HANDLE SWITCH LEVER KIT | [6] |
| K5 | 9099768000 | 1 | HARDWARE HANDLE BAR KIT | [7] |

Part Notes:

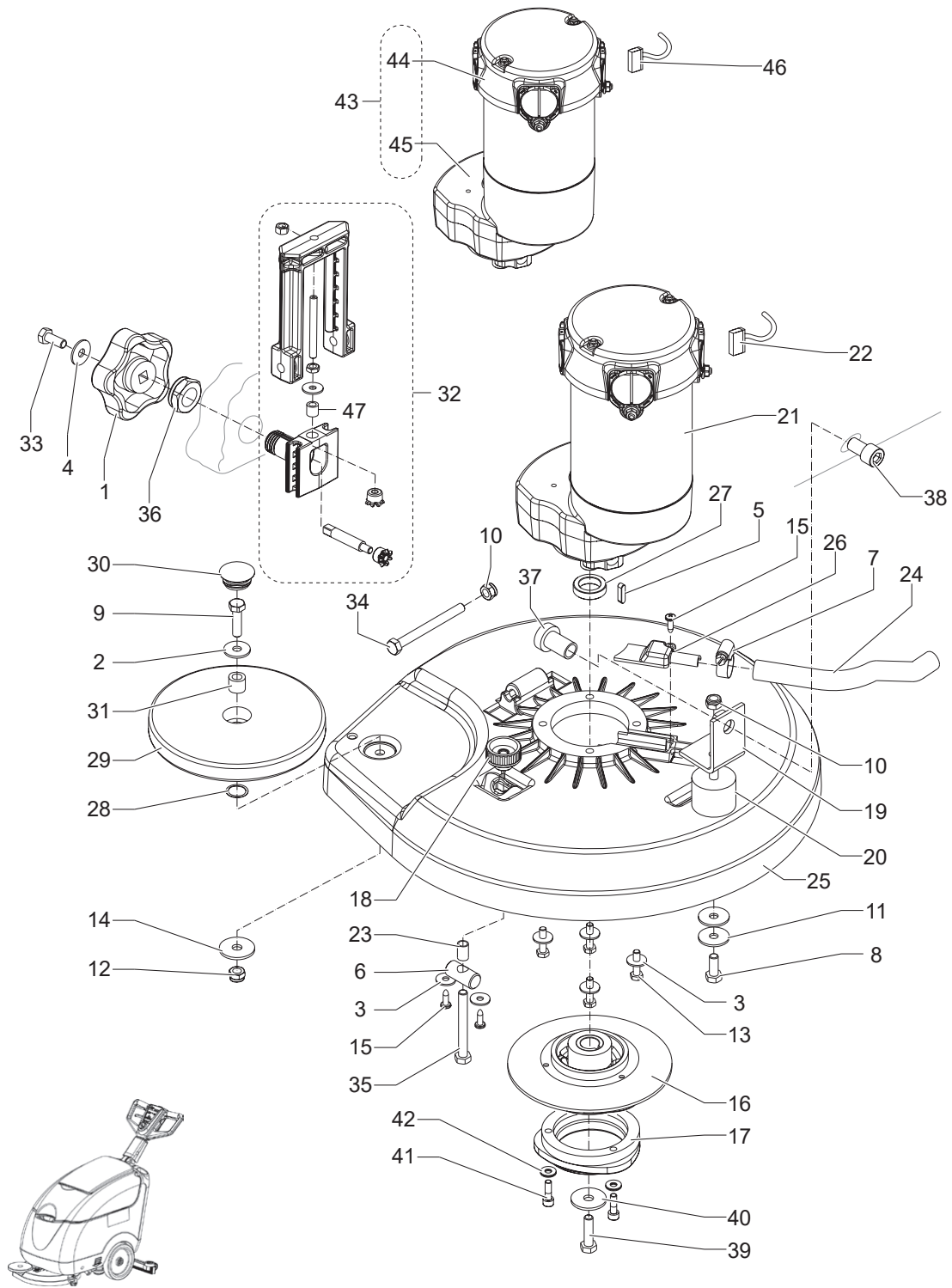
- [1] - complete handle, all positions on drawing
STOCK COVERS GUARANTEE
- [2] - STOCK COVERS GUARANTEE
- [3] - (POS.15-16-17-30)
- [4] - (POS.22-23-26-28-40-41-42)
- [5] - (POS.1-27-31-32-34-37)
- [6] - (POS.13-14-18-21-24-25-29-33-39)
- [7] - NOT SHOWN (POS.2-3-4-5-35-38-46-48-49-50-56-57)



| Pos. | Product no | QTY | Description | Notes |
|------|--------------|-----|------------------------------------|-------|
| 1 | 9100000559 | 2 | WHEEL D.51 GREY SIP | |
| 2 | 909 5554 000 | 1 | SQUEEGEE 700MM 28 ALU | |
| 3 | 9100001661 | 2 | PROFILE F SQUEEGEE BLADE 2 PCS SET | |
| 4 | L08603689 | 2 | WASHER PLAIN M6X18 SS ISO7093 | |
| 5 | 9100000556 | 1 | WHEEL D.50 SIP | |
| 6 | 9099106000 | 1 | COVER PEDAL | |
| 7 | 909 5637 000 | 1 | SPRING GAS 200 N | |
| K1 | 909 5702 000 | 1 | SQUEEGEE 700MM 28 ALU KIT | [1] |
| K2 | 9097354000 | 1 | BLADES SQUEEGEE 700MM 28 PU KIT | |
| K3 | L08603880 | 1 | ROLLER BUMPER KIT | [2] |
| K4 | 909 5703 000 | 1 | WHEEL SQUEEGEE KIT | [3] |
| K5 | 9097637000 | 1 | SQUEEGEE FIXING KIT | |
| K6 | 9099769000 | 1 | SUPPORT SQUEEGEE LIFT KIT | [4] |
| K7 | 9099770000 | 1 | FIXING SUPPORT SQUEEGEE KIT | |

Part Notes:

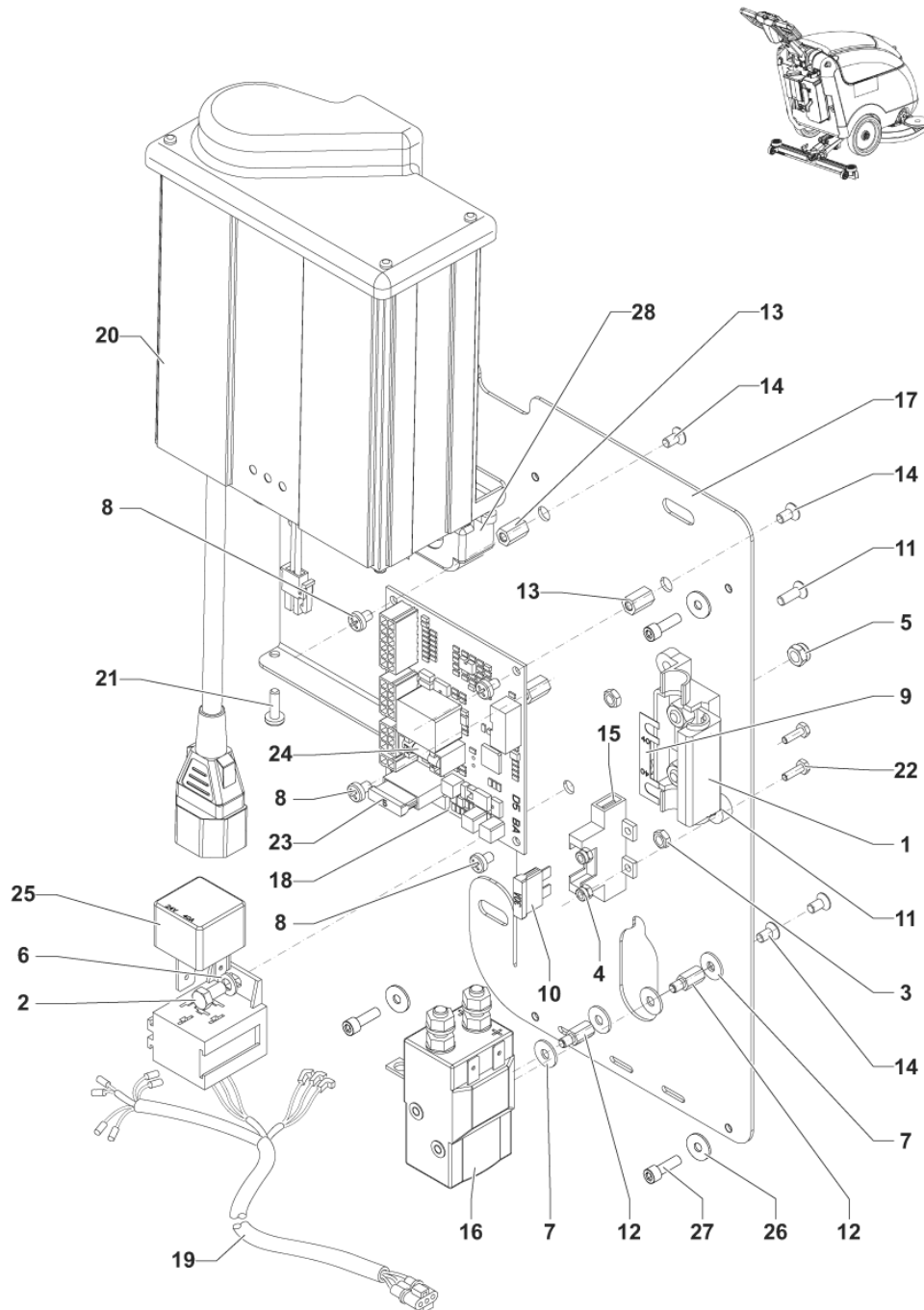
- [1] - (POS.K1-K2-K3-K4-K5-2-3)
- [2] - (POS.4)
- [3] - (POS.1)
- [4] - (POS.5-6-7)



| Pos. | Product no | QTY | Description | Notes |
|------|--------------|-----|--|-------|
| 1 | 9098465000 | 1 | HANDLE LOBE SQUARE HOLE | |
| 5 | 1466147000 | 1 | KEY 5X5X20 UNI6604A SIP | |
| 16 | L08812306 | 1 | HUB METAL F BRUSH | |
| 17 | L08812480 | 1 | HUB PLAST. F BRUSH | |
| 18 | 909 5964 000 | 1 | KNOB M8 | |
| 19 | 9099356000 | 1 | BRACKET DECK SUPPORT | |
| 20 | 9100000868 | 1 | VIBRATION DAMPING M8 60SH 2 PCS SET | |
| 21 | 9098308000 | 1 | REDUCTION GEARMOTOR 450W 24V | |
| 22 | 9098376000 | 1 | CARBON BRUSH 4 PCS SET | |
| 24 | 9099779000 | 1 | HOSE POLYESTER REINF. D.10 L.400MM SIP | |
| 25 | 9099093000 | 1 | DECK BRUSH | |
| 26 | 9100000869 | 1 | COVER F SOLUTION HOSE SUPPORT PLAST. SIP | |
| 29 | L08812204 | 1 | ROLLER BUMPER D.160 PLAST. BLACK | |
| 32 | 9099771000 | 1 | ADJUSTABLE DECK KIT | |
| 39 | 9100001269 | 1 | HARDWARE HUB BRUSH KIT | |
| 40 | 9100001272 | 1 | WASHER PLAIN M6X24 SS ISO7093 10 PCS SET | |
| 43 | 9099805000 | 1 | REDUCTION GEARMOTOR 520W 24V | [1] |
| 44 | 9097114000 | 1 | MOTOR ELECTRIC 520W 24V | |
| 45 | 9099851000 | 1 | REDUCTION GEAR | |
| 46 | 909 6893 000 | 1 | CARBON BRUSHES KIT 2+2 PCS | |
| 47 | 9098809000 | 1 | SPACER D.6.25X10 H.9.6 GALV. | |
| K1 | 9099772000 | 1 | HARDWARE BRUSH SYSTEM KIT | [2] |

Part Notes:

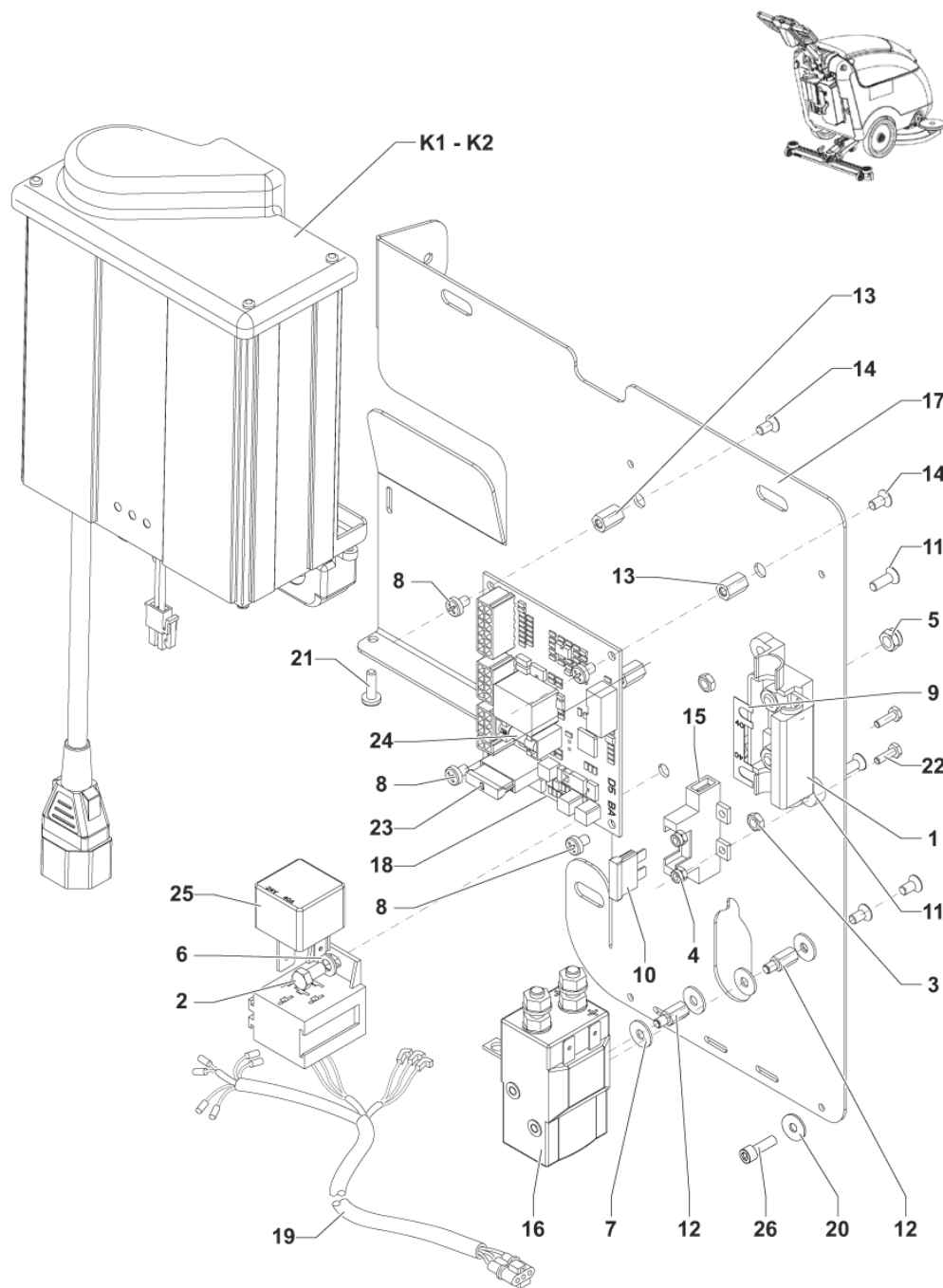
- [1] - OPTION
 [2] - NOT SHOWN (POS.2-3-4-6-7-8-9-10-11-12-13-14-15-23-27-28-30-31-33-34-35-36-37-38-41-42)



| Pos. | Product no | QTY | Description | Notes |
|------|--------------|-----|---------------------------------------|-------|
| 1 | 145 8046 000 | 1 | HOLDER FUSE | |
| 9 | 145 3824 000 | 1 | FUSE STRIP 40A | |
| 10 | 145 8513 000 | 1 | FUSE BLADE 30A UL | |
| 15 | 1467035000 | 1 | HOLDER FUSE THERMOPL.UL 94-V0 SIP | |
| 16 | 9097209000 | 1 | SWITCH ELECTROMAGNETIC 24V | |
| 17 | 9100001080 | 1 | PLATE ELECTRIC COMPONENTS SIP | [1] |
| 18 | 9100000184 | 1 | CARD ELECTRONIC FUNCTIONS SIP | |
| 19 | 9099104000 | 1 | HARNESS ELECTRIC COMP. BOX | |
| 20 | 9100000290 | 1 | CHARGER BATT. O/B 24V 8A 100-230V KIT | |
| 23 | 145 9852 000 | 1 | FUSE BLADE 5A UL | |
| 24 | 909 6678 000 | 1 | FUSE 20A GLASS DELAYED | [1] |
| 25 | 909 6622 000 | 1 | RELAY-24VDC 10A | |
| 28 | 9099387000 | 1 | FERRITE | [2] |
| K1 | 9099773000 | 1 | HARDWARE WIRING SYSTEM KIT | [1] |

Part Notes:

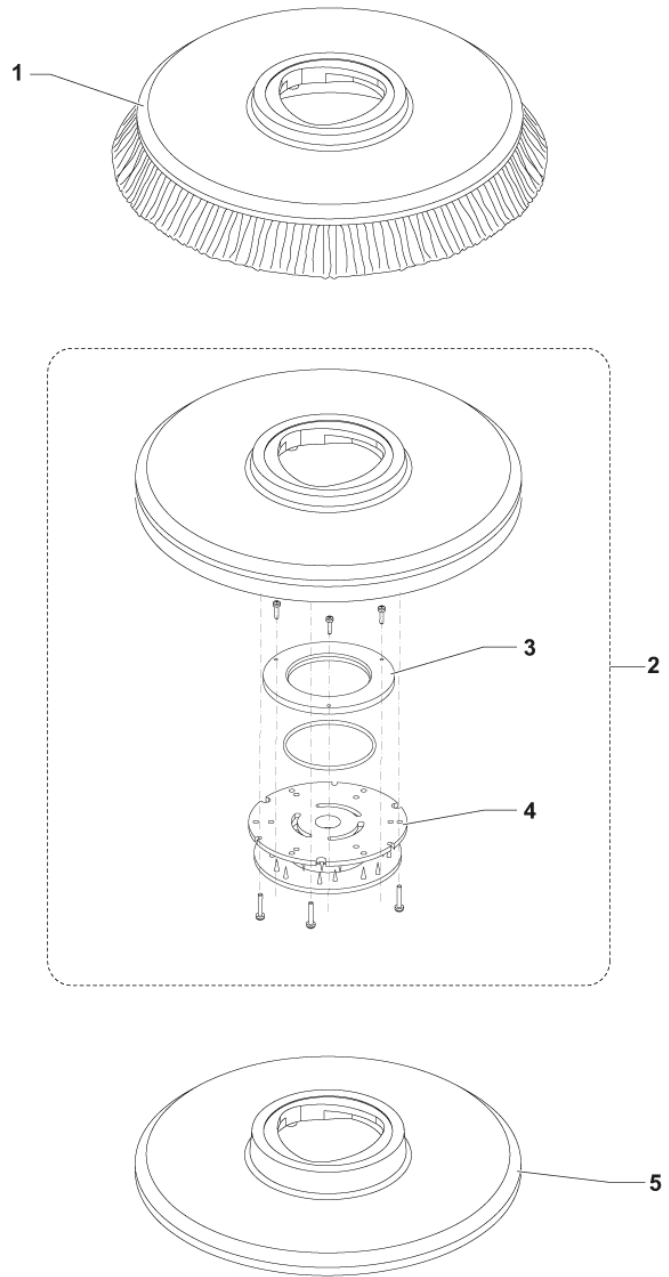
- [1] - STOCK COVERS GUARANTEE
 [2] - COMPLEXITY REDUCTION



| Pos. | Product no | QTY | Description | Notes |
|------|--------------|-----|--|-------|
| 1 | 145 8046 000 | 1 | HOLDER FUSE | |
| 9 | 145 3824 000 | 1 | FUSE STRIP 40A | |
| 10 | 145 8513 000 | 1 | FUSE BLADE 30A UL | |
| 15 | 1467035000 | 1 | HOLDER FUSE THERMOPL.UL 94-V0 SIP | |
| 16 | 9097209000 | 1 | SWITCH ELECTROMAGNETIC 24V | |
| 17 | 9100001080 | 1 | PLATE ELECTRIC COMPONENTS SIP | [1] |
| 18 | 9100000184 | 1 | CARD ELECTRONIC FUNCTIONS SIP | |
| 19 | 9099104000 | 1 | HARNESS ELECTRIC COMP. BOX | |
| 23 | 145 9852 000 | 1 | FUSE BLADE 5A UL | |
| 24 | 909 6678 000 | 1 | FUSE 20A GLASS DELAYED | [1] |
| 25 | 909 6622 000 | 1 | RELAY-24VDC 10A | |
| K1 | 9100000290 | 1 | CHARGER BATT. O/B 24V 8A 100-230V KIT | [2] |
| 28 | 9100000790 | 1 | CABLE EXTENSION EU PLUG L.1000MM SIP | [3] |
| 29 | 9099387000 | 1 | FERRITE | [4] |
| K2 | 9100000291 | 1 | CHARGER BATT. O/B 24V 8A 100-230V JP KIT | [5] |
| 29 | 9099387000 | 1 | FERRITE | [6] |
| K3 | 9099773000 | 1 | HARDWARE WIRING SYSTEM KIT | [7] |

Part Notes:

- [1] - STOCK COVERS GUARANTEE
- [2] - OPTION - INST. INSTR. 9100000288
- [3] - INCLUDED ON POS. K1 - NOT SHOWN
- [4] - COMPLEXITY REDUCTION
INCLUDED ON POS. K1 - NOT SHOWN
- [5] - OPTION - INST. INSTR. 9100000289
- [6] - COMPLEXITY REDUCTION
INCLUDED ON POS. K2 - NOT SHOWN
- [7] - STOCK COVERS GUARANTEE
NOT SHOWN - POS. 1-2-3-4-5-6-7-8-11-12-13-14-20-21-22-26



ACCESSORIES

SC400 B NIL

2017.11.02

2017.09.22

| Pos. | Product no | QTY | Description | Notes |
|------|--------------|-----|---|-------|
| 1 | 909 5694 000 | 1 | BRUSH DISC 430MM 17 UNION MIX | |
| 1 | L08812891 | 1 | BRUSH DISC 430MM 17 PROLENE BLUE | |
| 1 | 909 5692 000 | 1 | BRUSH DISC 430MM 17 MID GRIT 240 | |
| 1 | 909 5691 000 | 1 | BRUSH DISC 430MM 17 MIDLITE GRIT 180 | |
| 1 | 909 5693 000 | 1 | BRUSH DISC 430MM 17 PROLITE | |
| 2 | 9100001897 | 1 | PAD HOLDER BRISTLE 17 430MM | [1] |
| 3 | L08603966 | 1 | RING NYLON | |
| 4 | L08603965 | 1 | O-RING 2.62X82.22 -3325-NBR 40SH | |
| 4 | 56505195 | 1 | PAD RETAINER | |
| 5 | 9100002050 | 1 | PAD HOLDER FLAT 17 432MM | [1] |
| 6 | 10001936 | 1 | PAD 17 432MM ECO WHITE 5PCS | [2] |
| 6 | 10002336 | 1 | PAD 17 432MM ECO BRILLIANCE RED 2PCS | [2] |
| 6 | 10001938 | 1 | PAD 17 432MM ECO BLACK 5PCS | [2] |
| 6 | 10001940 | 1 | PAD 17 432MM ECO GREEN 5PCS | [2] |
| 6 | 10002338 | 1 | PAD 17 432MM ECO BRILLIANCE YELLOW 2PCS | [2] |
| 6 | 10001939 | 1 | PAD 17 432MM ECO BLUE 5PCS | [2] |
| 6 | 10001937 | 1 | PAD 17 432MM ECO TAN 5PCS | [2] |
| 6 | 10001941 | 1 | PAD 17 432MM ECO RED 5PCS | [2] |
| 6 | 10002339 | 1 | PAD 17 432MM ECO BRILLIANCE GREEN 2PCS | [2] |
| 6 | 10002337 | 1 | PAD 17 432MM ECO BRILLIANCE BLUE 2PCS | [2] |
| 7 | 80542432 | 1 | CHARGER HF 24V 30A OPTIMA SB50R | [2] |
| 8 | 1466318000 | 1 | CABLE EXTENSION UK PLUG L.2000MM SIP | [2] |
| 9 | 80561268 | 1 | BATT.12V-68AH AGM SPIRALCELL | [2] |
| 9 | 80561252 | 1 | BATT.12V-52AH AGM SPIRALCELL | [2] |
| 9 | 80564310 | 1 | BATT. 12V-76AH GEL MONOBLOC | [2] |

Part Notes:

- [1] - See TSB-FC-2016-012
- [2] - NOT SHOWN

RECOMMENDED SPARE PARTS

SC400 B NIL

2017.11.02

2017.01.10

| Pos. | Product no | QTY | Description | Notes |
|------|--------------|-----|---|-------|
| 00 | 9098446000 | 1 | HOSE SOLUTION | [1] |
| 00 | 9097626000 | 1 | VALVE BALL ELBOW D.13 KIT | [1] |
| 00 | 40263A | 1 | SWITCH DPST | [1] |
| 00 | 9100000819 | 1 | GASKET BULB RUBBER L.1670MM SIP | [2] |
| 00 | 909 5703 000 | 1 | WHEEL SQUEEGEE KIT | [1] |
| 00 | L08812891 | 1 | BRUSH DISC 430MM 17 PROLENE BLUE | [3] |
| 00 | 9100001661 | 2 | PROFILE F SQUEEGEE BLADE 2 PCS SET | [1] |
| 00 | 9099705000 | 1 | SUPPORT MACHINE ASSEMBLED KIT | [1] |
| 00 | 909 5371 000 | 2 | CARBON BRUSH | [2] |
| 00 | 145 3824 000 | 1 | FUSE STRIP 40A | [1] |
| 00 | 145 8513 000 | 1 | FUSE BLADE 30A UL | [1] |
| 00 | 9100000559 | 1 | WHEEL D.51 GREY SIP | [2] |
| 00 | 9100000868 | 1 | VIBRATION DAMPING M8 60SH 2 PCS SET | [2] |
| 00 | L08812480 | 1 | HUB PLAST. F BRUSH | [1] |
| 00 | 9099757000 | 1 | NUT HEX M8 INSULATING PLASTIC | [1] |
| 00 | L08603880 | 1 | ROLLER BUMPER KIT | [2] |
| 00 | 9098308000 | 1 | REDUCTION GEARMOTOR 450W 24V | [1] |
| 00 | 9100001348 | 2 | CLAMP HOSE 32-52/12 10 PCS SET | [1] |
| 00 | 9099332000 | 1 | SWITCH ROTATIVE 4 POSITIONS | [1] |
| 00 | 9099107000 | 1 | SWITCH SINGLE-POLE MOMENTARY | [4] |
| 00 | 9097209000 | 1 | SWITCH ELECTROMAGNETIC 24V | [1] |
| 00 | 9100000870 | 1 | SOLENOID VALVE 24V SIP | [1] |
| 00 | 9100000184 | 1 | CARD ELECTRONIC FUNCTIONS SIP | [1] |
| 00 | 9100000959 | 1 | MOTOR VACUUM 300W 24V KIT | [2] |
| 00 | 909 5637 000 | 1 | SPRING GAS 200 N | [1] |
| 00 | 9097354000 | 1 | BLADES SQUEEGEE 700MM 28 PU KIT | [1] |
| 00 | 9099771000 | 1 | ADJUSTABLE DECK KIT | [1] |
| 00 | 909 5554 000 | 1 | SQUEEGEE 700MM 28 ALU | [1] |
| 00 | 9100000860 | 1 | FILTER WATER SIP | [2] |
| 00 | 909 6380 000 | 1 | CLAMP KIT | [1] |
| 00 | 9100000290 | 1 | CHARGER BATT. O/B 24V 8A 100-230V KIT | [1] |
| 00 | 9098376000 | 1 | CARBON BRUSH 4 PCS SET | [2] |
| 00 | 9099106000 | 1 | COVER PEDAL | [2] |
| 00 | 9100001947 | 1 | HOSE SUCTION SQUE. 90 BLACK L.850MM SIP | [2] |
| 00 | 9099104000 | 1 | HARNES ELECTRIC COMP. BOX | [1] |
| 00 | 9099756000 | 1 | FUSE BATTERY CLAMP 125A | [1] |

Part Notes:

- [1] - E O M
- [2] - O M
- [3] - N W
- [4] - E O M
STOCK COVERS GUARANTEE

