

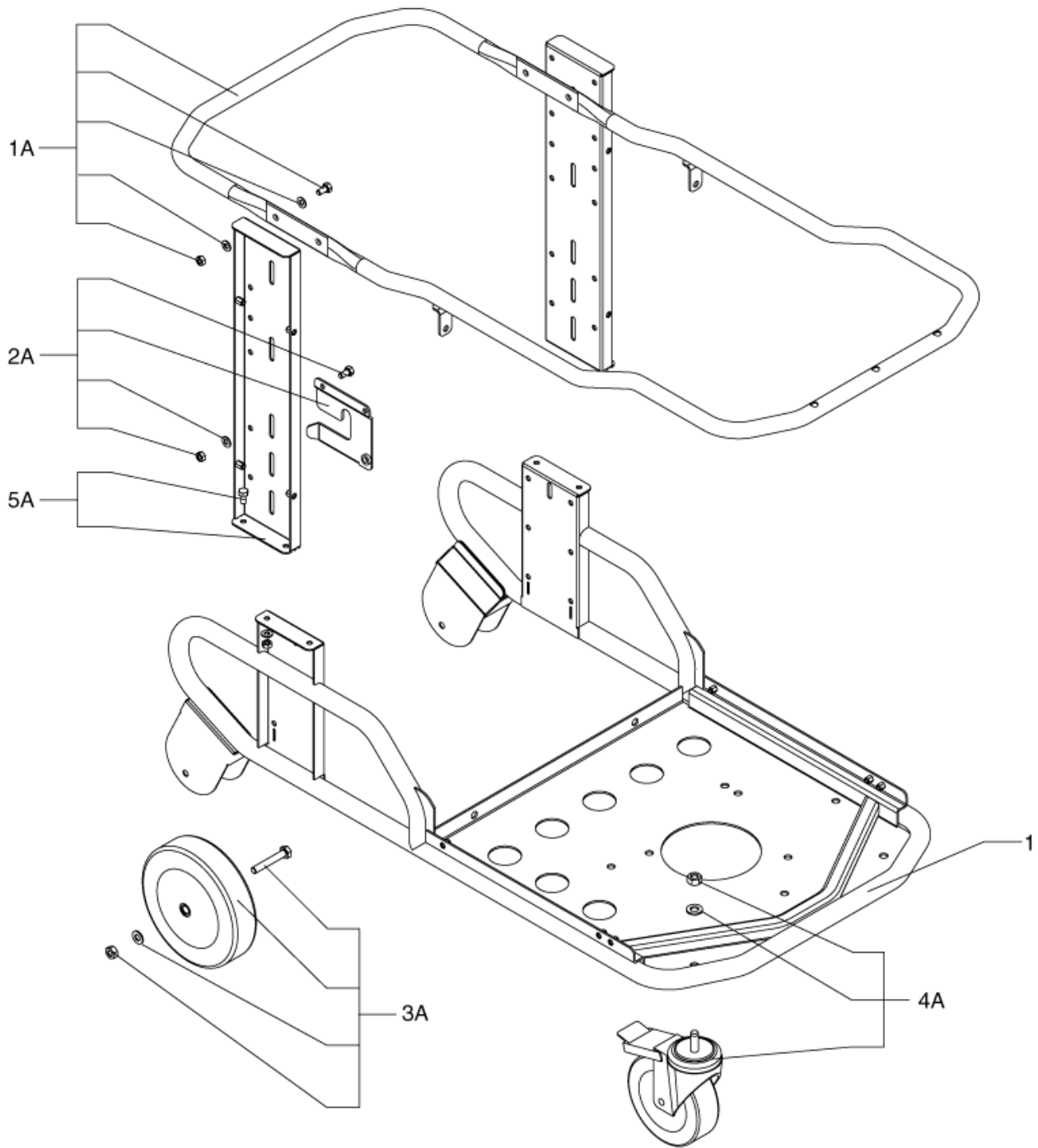
PARTS LIST



2025.08.29

TABLE OF CONTENTS

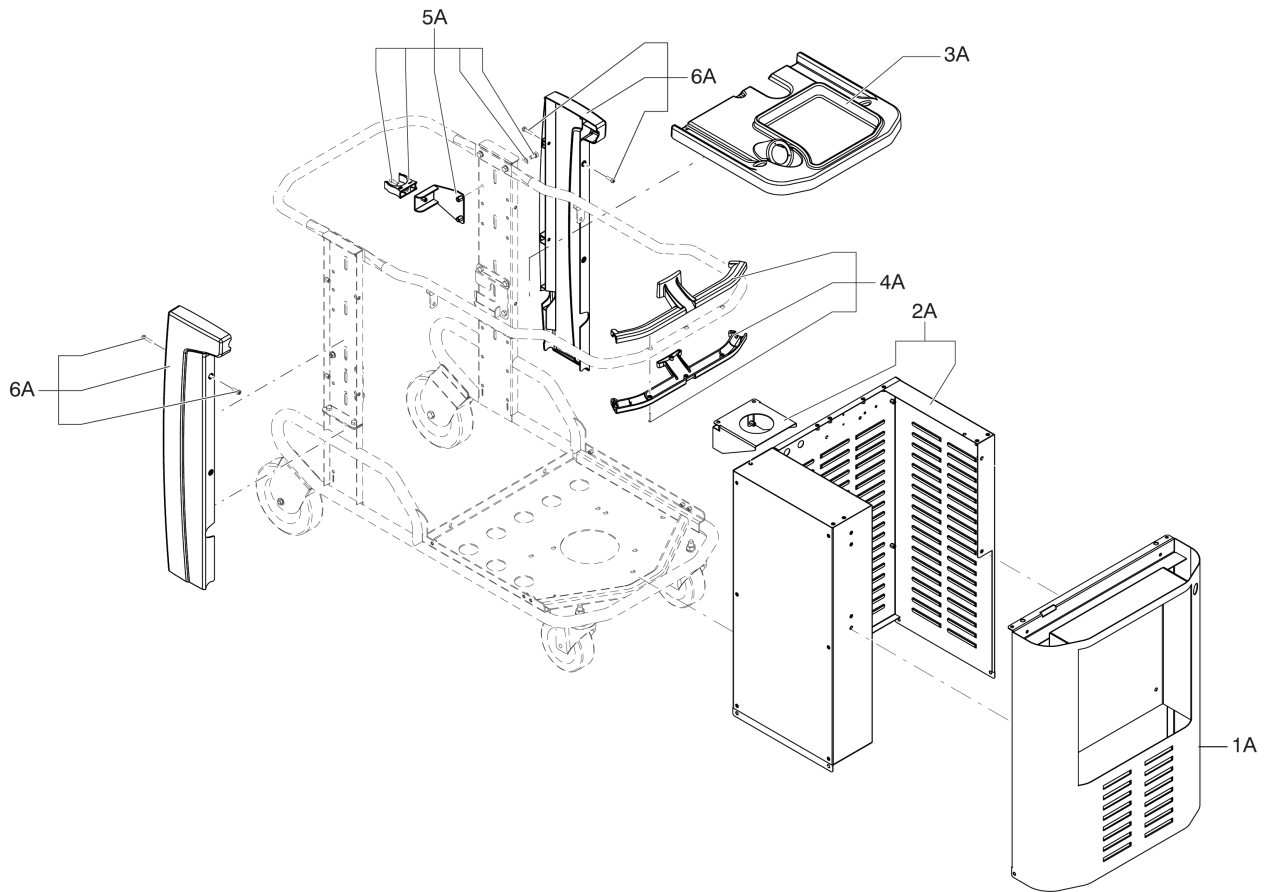
L147 - 01 - CAR.....	1
L147 - 02 - CAR.....	3
L147 - 03 - CONTAINER UNIT.....	5
L147 - 04 - CONTAINER UNIT.....	7
L147 - 05 - SHAKER UNIT.....	9
L147 - 06 - FILTER GROUP.....	11
L147 - 07 - FILTER GROUP.....	13
L147 - 08 - SUCTION UNIT.....	15
L147 - 09 - CYCLON KIT.....	17
L147 - 10 - LIQUID KIT.....	19
L147 - 11 - CAPACITIVE GROUP.....	21
L147 - 12 - GRID AND DEPRESSOR.....	23
L147 - 13 - ELECTRIC SYSTEM.....	25
L147 - 14 - SE ELECTRIC SYSTEM.....	27
L147 - 15 - L ELECTRIC SYSTEM.....	29
L147 - 16 - C ELECTRIC SYSTEM.....	31
L147 - 17 - SC ELECTRIC SYSTEM.....	33



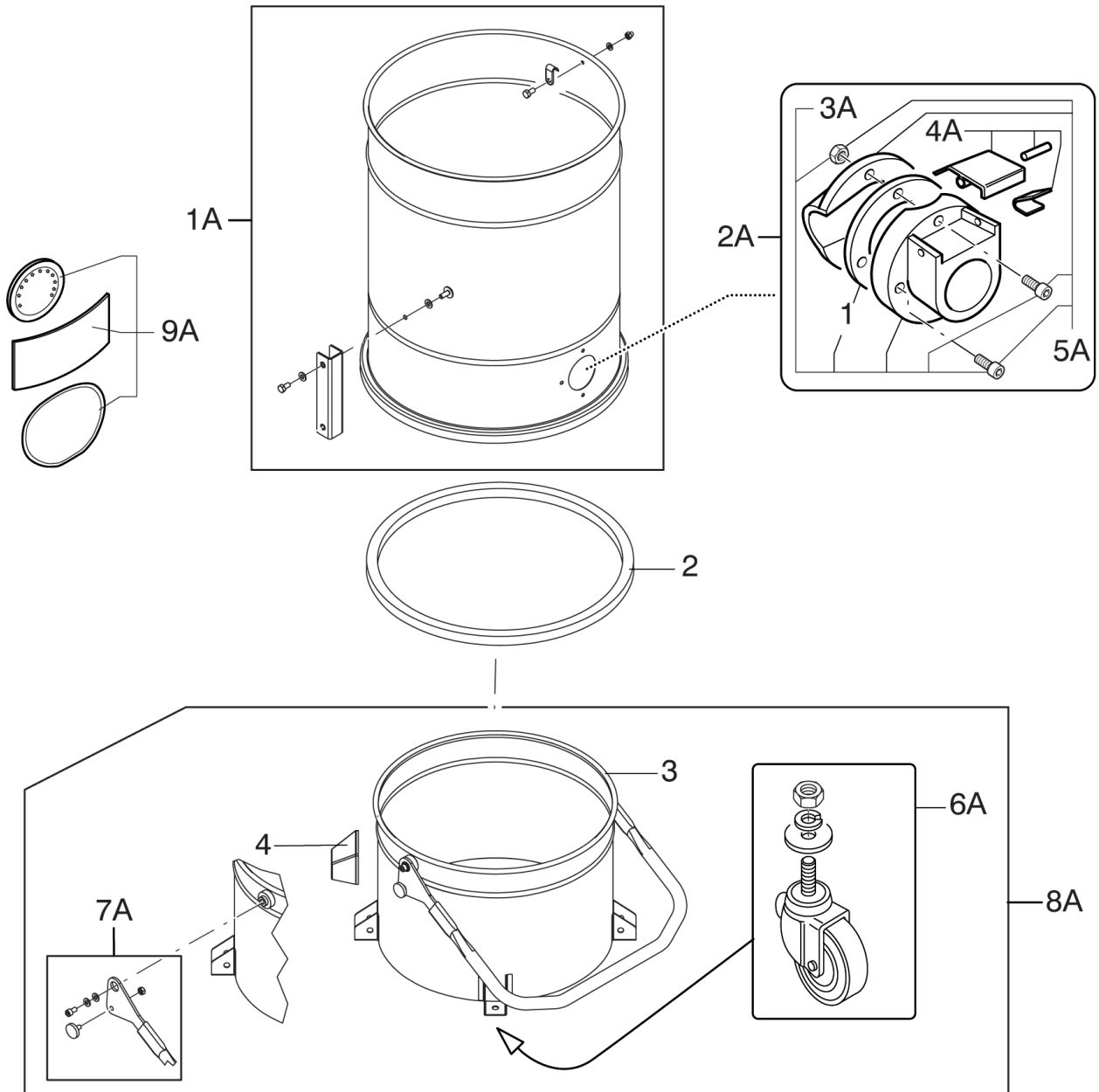
Pos.	Product no	QTY	Description	Notes
1	4083600661	1	TROLLEY T-PLUS MODEL RAL7016	[1]
1A	4089100048	1	HANDLE KIT	
2A	40000872	1	BIN RELEASE KIT	
3A	40000871	2	UPRIGHT KIT	
4A	40000873	2	WHEEL D200 KIT	
5A	40000874	2	KIT 2 PIVOTING WHEELS D150	

Part Notes:

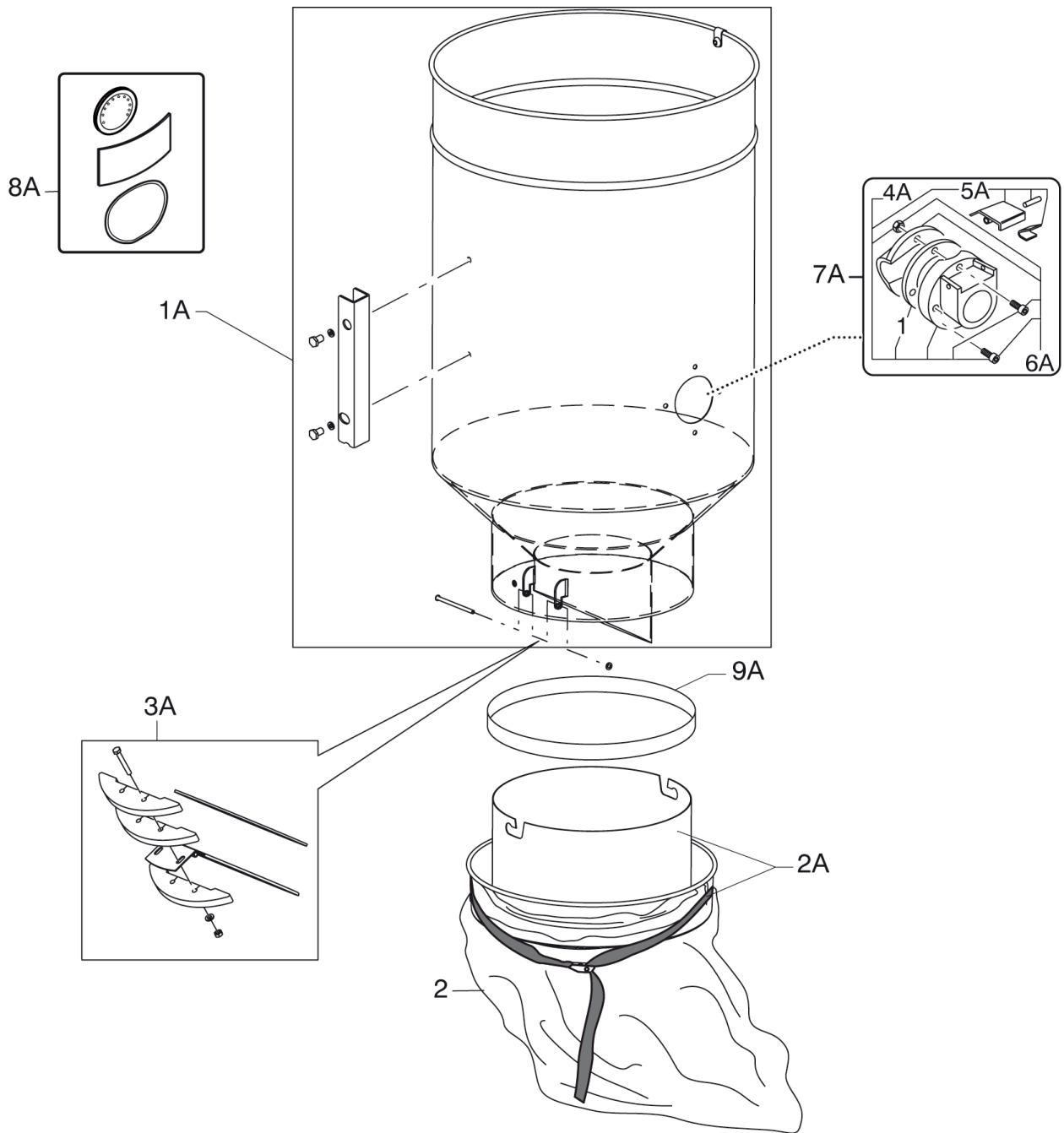
[1] - CONTACT PM IN ZOCCA



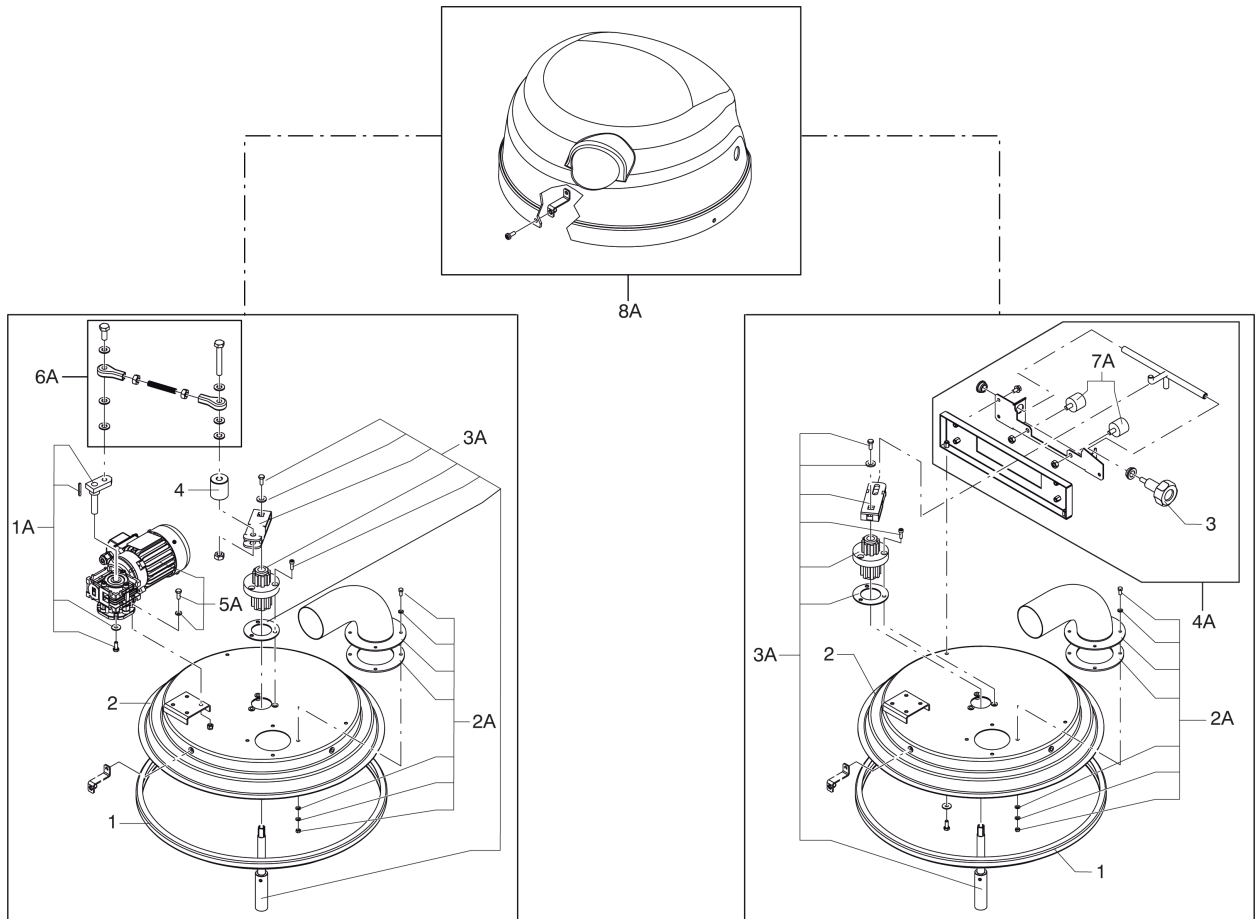
Pos.	Product no	QTY	Description	Notes
1A	4089100051	1	FRONT CARTER KIT MOD.T75	
2A	4089100050	1	BACK CARTER KIT MOD.T75	
3A	4089100049	1	ACCESSORIES HOLDER TRAY KIT T75	
4A	40000855	1	HANDLE KIT	
5A	40000856	1	HANDGRIP HOLDER HOOK KIT	
6A	40000864	1	UPRIGHT PROTECTION KIT	



Pos.	Product no	QTY	Description	Notes
1	Z8 17006	1	INLET SEAL D70	
2	4081701540	15	SEAL 20 X 15 T140 CR MT1.5	
3	4083000495	1	BIN D460 L100 FOR MODEL S3	
3	4083000509	1	BIN D460 L100 IN SS M.S3	
4	Z8 17021	4	BUMPER WHEEL HOLDER	
1A	4089100862	2	FILTER CHAMBER KIT D460X690	
1A	40000869	2	FILTER CHAMBER KIT	
2A	40000868	1	D70 INLET FULL KIT	
3A	40000867	1	D70 INLET KIT	
4A	40000345	1	KIT PUSHBUTTON FOR INLET D70	
5A	40000395	1	KIT DEFLECTOR D70	
6A	40000419	4	KIT CASTORS FOR CONTAINER	
7A	40000879	1	HANDLE KIT L100	
8A	4083000510	1	COMPLETE BIN D460 L100 SS S3	
8A	4083000497	1	COMP.BIN D460 L100 M.S3	
9A	4089100072	1	STICKER KIT	



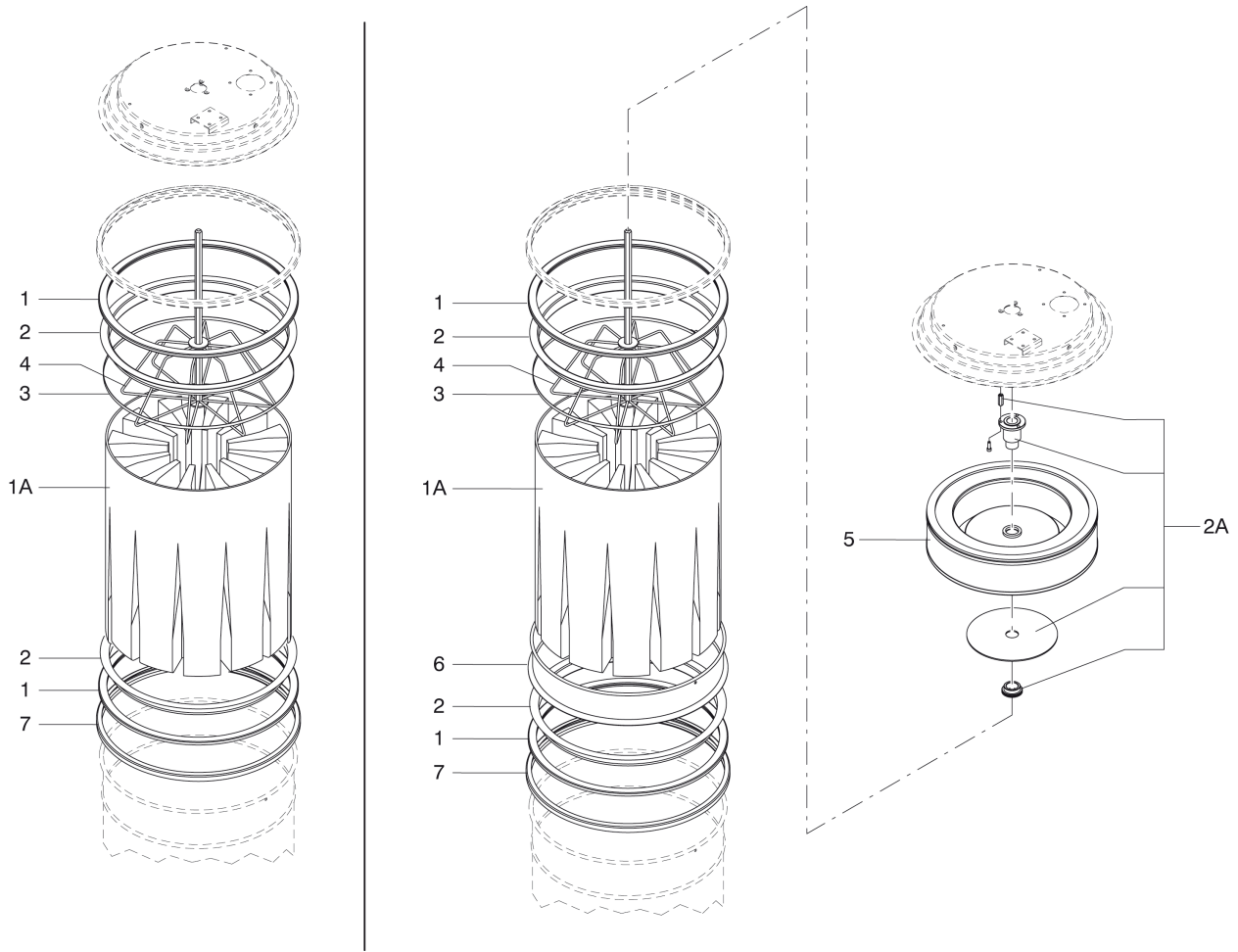
Pos.	Product no	QTY	Description	Notes
1	Z8 17006	1	INLET SEAL D70	
2	4084000956	15	MINI PACKAGE 4X20 MT 68 MICRON LONGOPAC	
1A	4089101067	2	LP HOPPER KIT D460	
2A	4089100436	1	BAG HOLDER KIT	
3A	4089100437	1	CLAPET CLOSING KIT	
4A	40000867	1	D70 INLET KIT	
5A	40000345	1	KIT PUSHBUTTON FOR INLET D70	
6A	40000395	4	KIT DEFLECTOR D70	
7A	40000868	1	D70 INLET FULL KIT	
8A	4089100072	1	STICKER KIT	
9A	4089100872	1	KIT ADHESIVE SEAL 25X3	



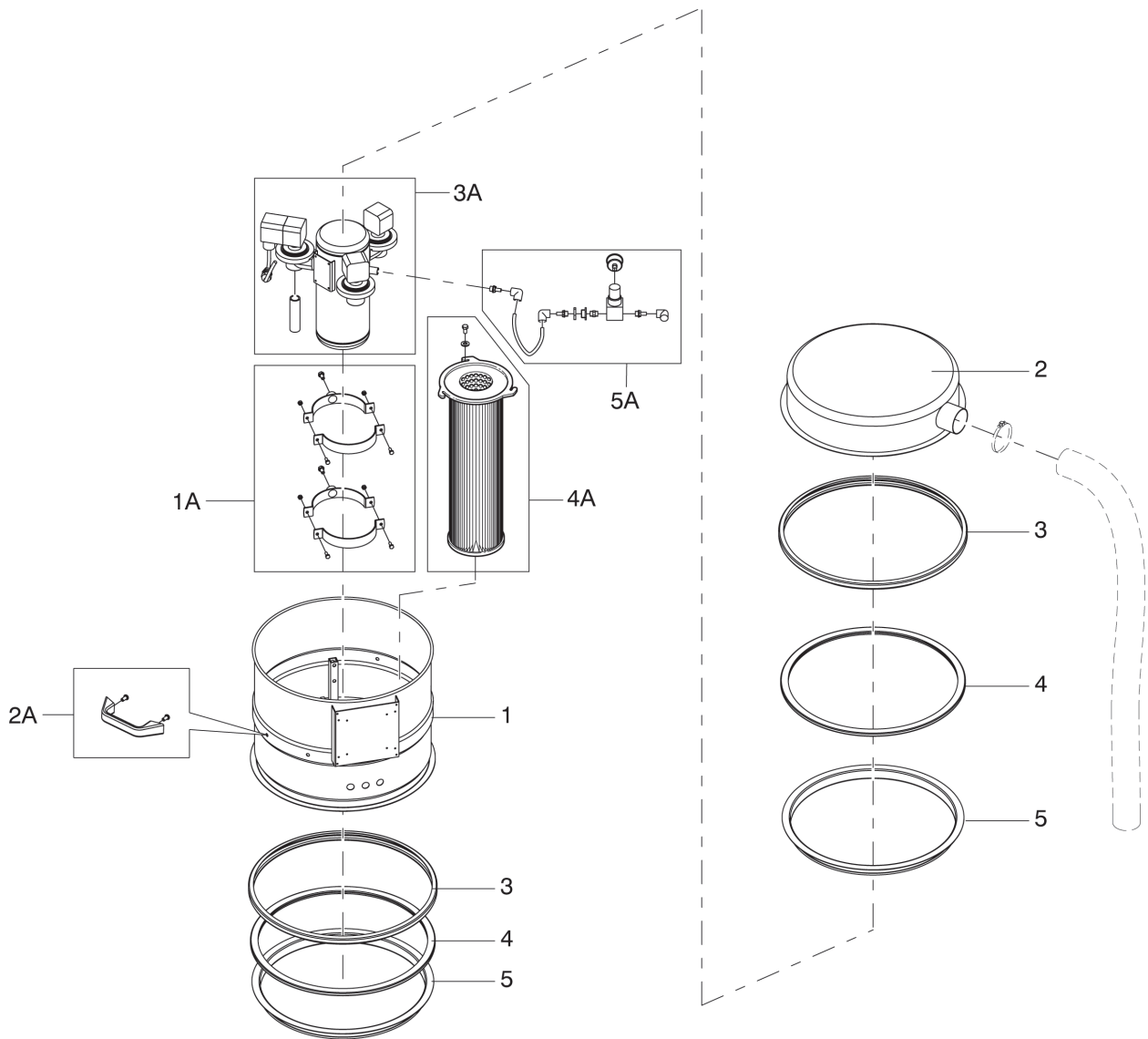
Pos.	Product no	QTY	Description	Notes
1	Z8 36191	1	BAND LOCK D.460	
2	4081500214	1	D460 FILTER HOLDER FE FOR MANUAL SHAKER	
3	4084001012	1	FILTER SHAKER KNOB M8 MOD.S2-S3	
4	4081400747	1	FILTER SHAKER SPACER	
1A	4089100061	1	GEARMOTOR SHAFT KIT	
2A	40000426	1	KIT CAP COUPLING D70 FE FL120	
3A	40000900	1	FILTERSHAKER DEVICE KIT	
4A	4089100060	1	FILTERSHAKER KIT	
5A	4089100062	1	GEARMOTOR KIT	
6A	40000919	1	C FILTERSHAKER JOINT KIT	[1]
7A	40000907	2	PUFFER KIT	
8A	4089100059	1	COVER KIT	

Part Notes:

[1] - NO MORE AVAILABLE



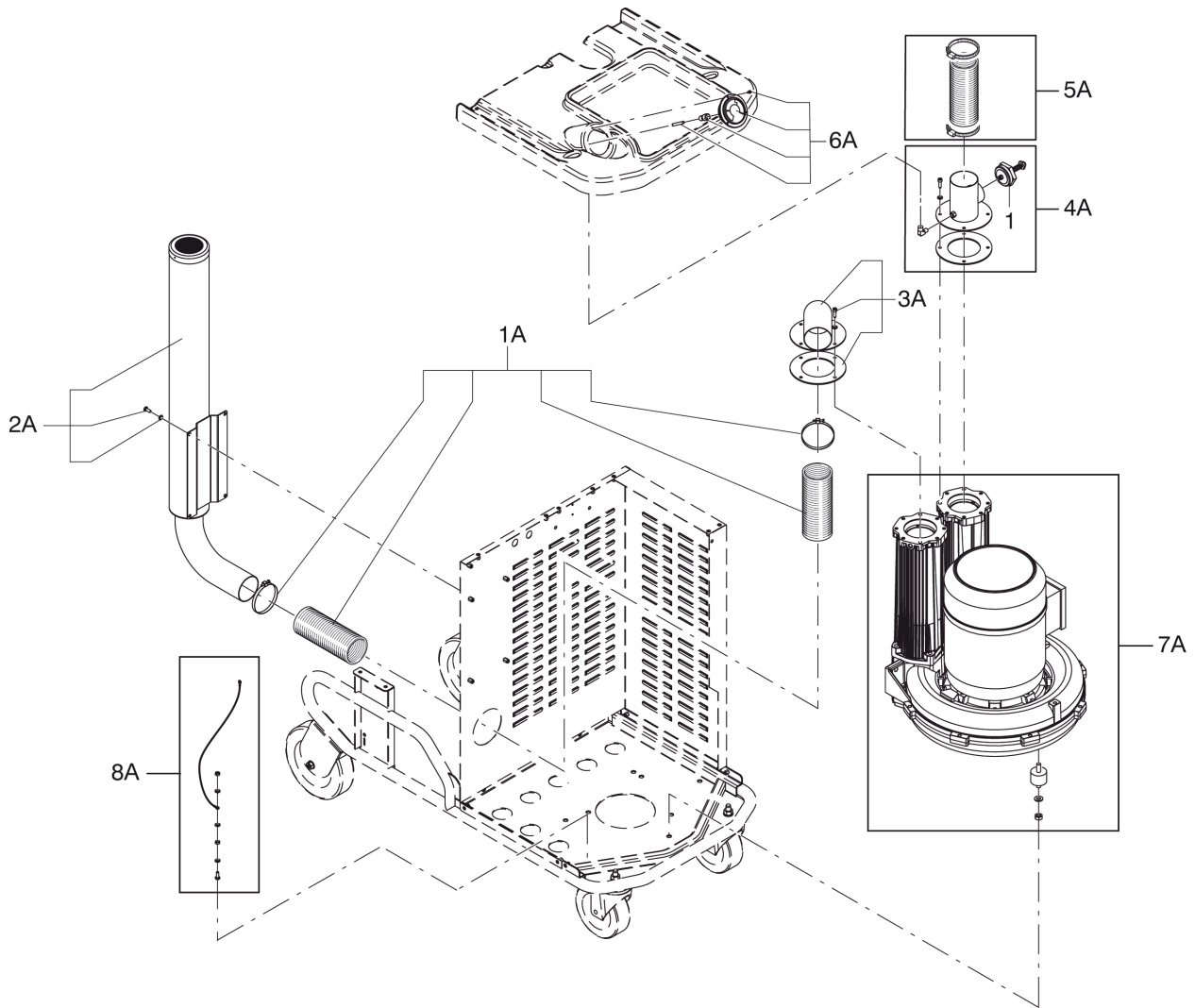
Pos.	Product no	QTY	Description	Notes
1	Z8 17026	1	FILTER SEAL D460 BLACK	
2	Z8 15003	1	FILTER HOLDER RING D460 FE	
3	Z8 18079	1	FILTER BLOCK TIE D460	
4	4083300371	1	CAGE D460 8 ELEMENT MOD.T75	
5	4081700935	1	ABSOLUTE FILTER 415X100 S2S-S3 H14	
6	4081100143	1	FILTER CHAMBER D460X90 FE INCREASED FILT	
7	Z8 36191	1	BAND LOCK D.460	
1A	4089100052	1	D460X550 STAR FILTER KIT. L CLASS	
1A	4089100053	1	D460X550 STAR FILTER KIT. M CLASS	
1A	4089101057	1	STAR FILTER KIT D.460X550 "PTFE"	
2A	40000897	1	KIT ABSOLUTE FILTER SUPPORT	



Pos.	Product no	QTY	Description	Notes
1	4083100991	1	D460 CONTAINER CARTRIDGE MODEL CTS-CTT1	
2	4083101090	1	CAP. D460 MOD.T40WP FROM 40831010891	
3	Z8 36191	1	BAND LOCK D.4602	
4	Z8 17026	1	FILTER SEAL D460 BLACK2	
5	Z8 15003	1	FILTER HOLDER RING D460 FE2	
1A	4089100116	1	D140 COLLAR TANK KIT2	[1]
2A	40000423	1	KIT HANDLE SS2	
3A	4089100204	1	AIR TANK KIT1	[1]
4A	4089100114	1	CARTRIDGE KIT3	
5A	4089100121	1	AIR FITTING KIT3	

Part Notes:

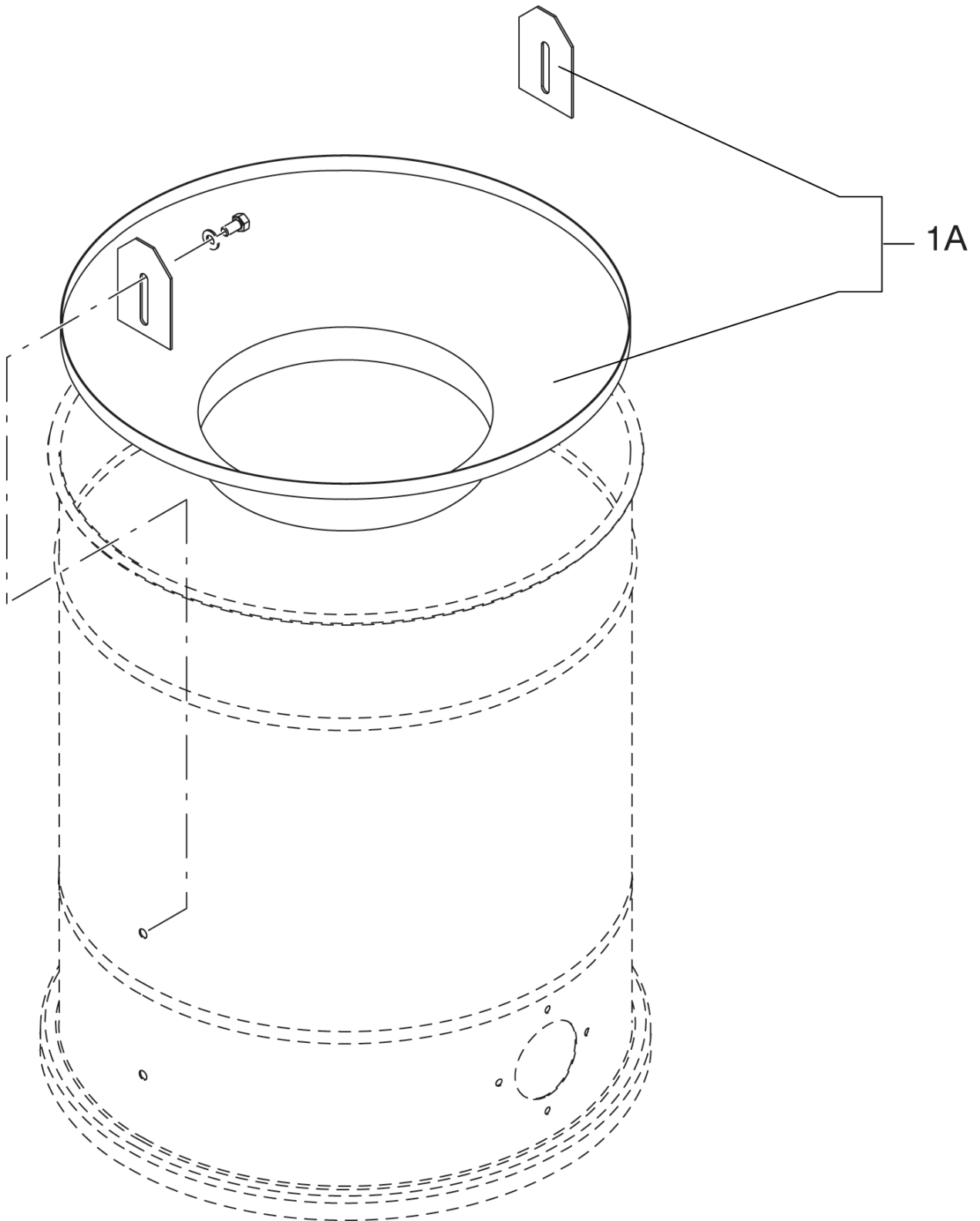
[1] - CONTACT PM IN ZOCCA



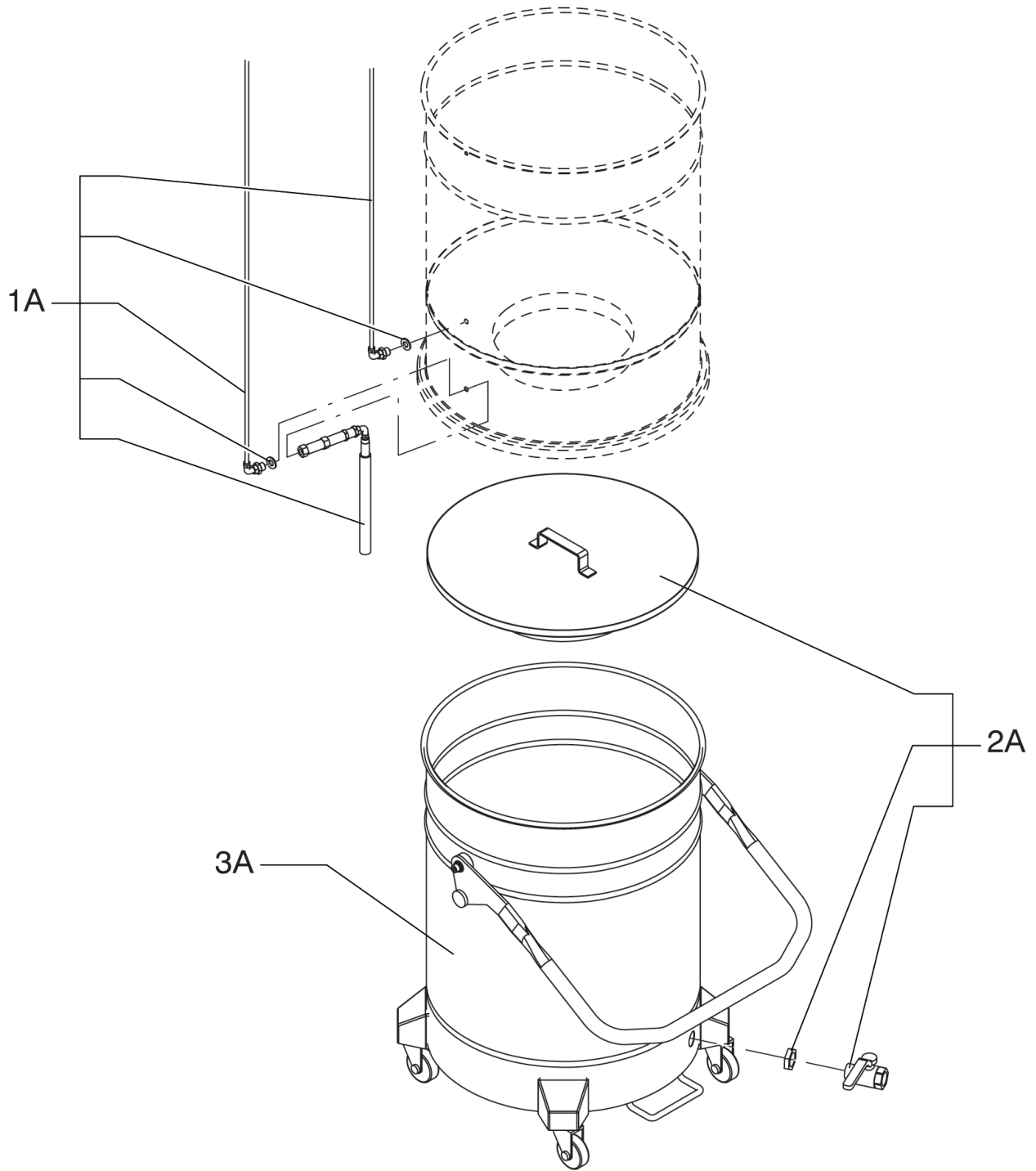
Pos.	Product no	QTY	Description	Notes
1	Z8 34024	1	RELIEF VALVE 1 1/2	
1A	40000571	2	KIT BLOWING TUBE	
2A	4089100054	1	SILENCER KIT	
3A	4089100055	1	BLOWING CONNECTION KIT	
4A	4089100056	1	BLOWING CONNECTION KIT WITH RELIEF VALVE	
5A	4089101041	2	KIT HOSE SUCTION CARTRIDGES	
6A	40000968	1	4500 VACUUM GAUGE KIT	
7A	4089100057	1	SUCTION UNIT KIT. KW 7.5 400/690 V	
7A	4089101056	1	SUCTION UNIT KIT KW7,5 220/230V	
8A	40000877	1	GROUND CABLE KIT	[1]

Part Notes:

[1] - CONTACT PM IN ZOCCA



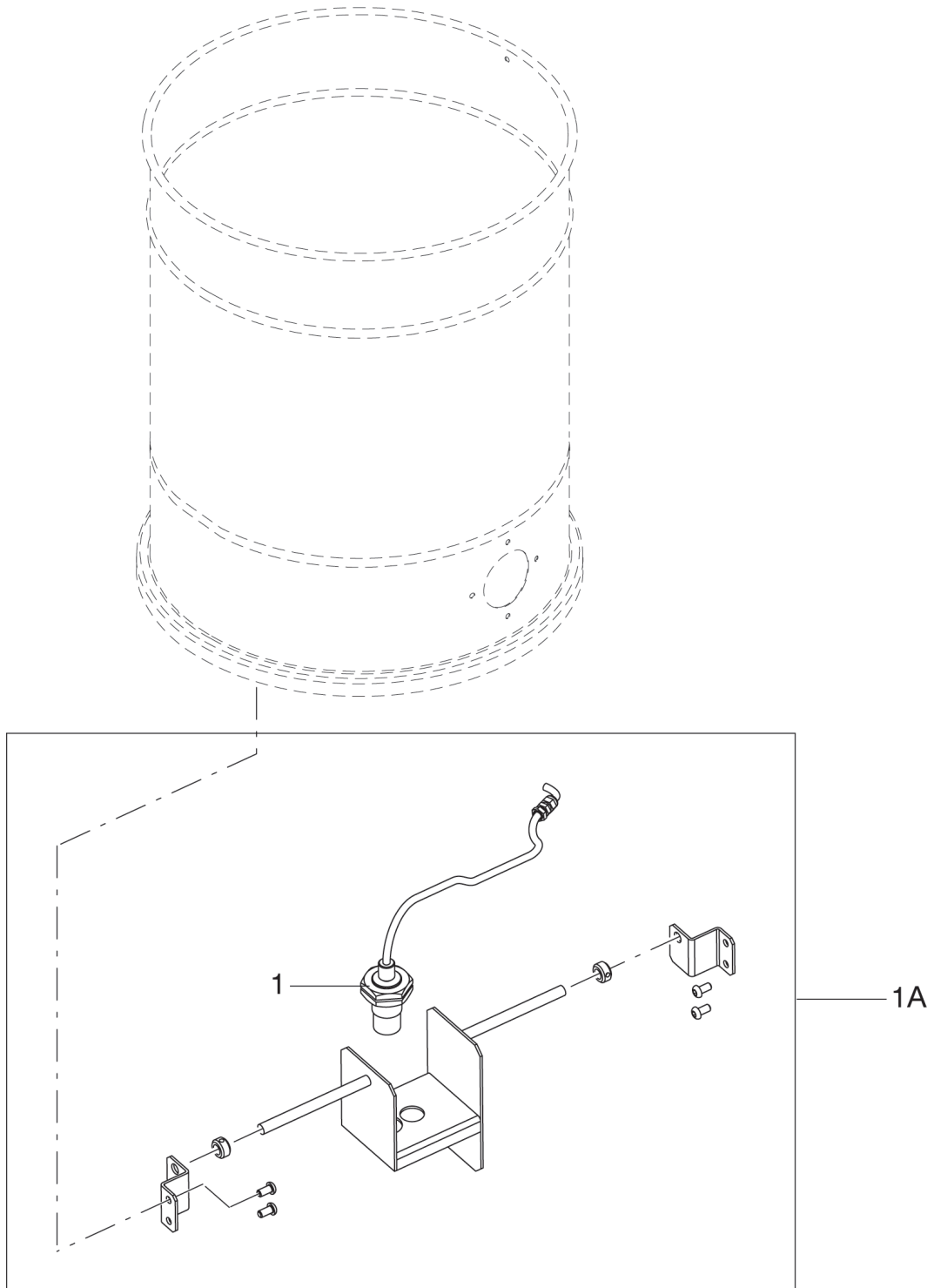
Pos.	Product no	QTY	Description	Notes
1A	Z5 60109	1	REMOVABLE CYCLONE D460 FE COMPLETE	



Pos.	Product no	QTY	Description	Notes
1A	4089100071	1	LIQUID CONTROL KIT1	[1]
2A	Z5 60034	1	GRID AND VALVE D460 FE COMPLETE1	
3A	4083000555	1	COMPLETE BIN D460 L100 S3 F.DEPR1	

Part Notes:

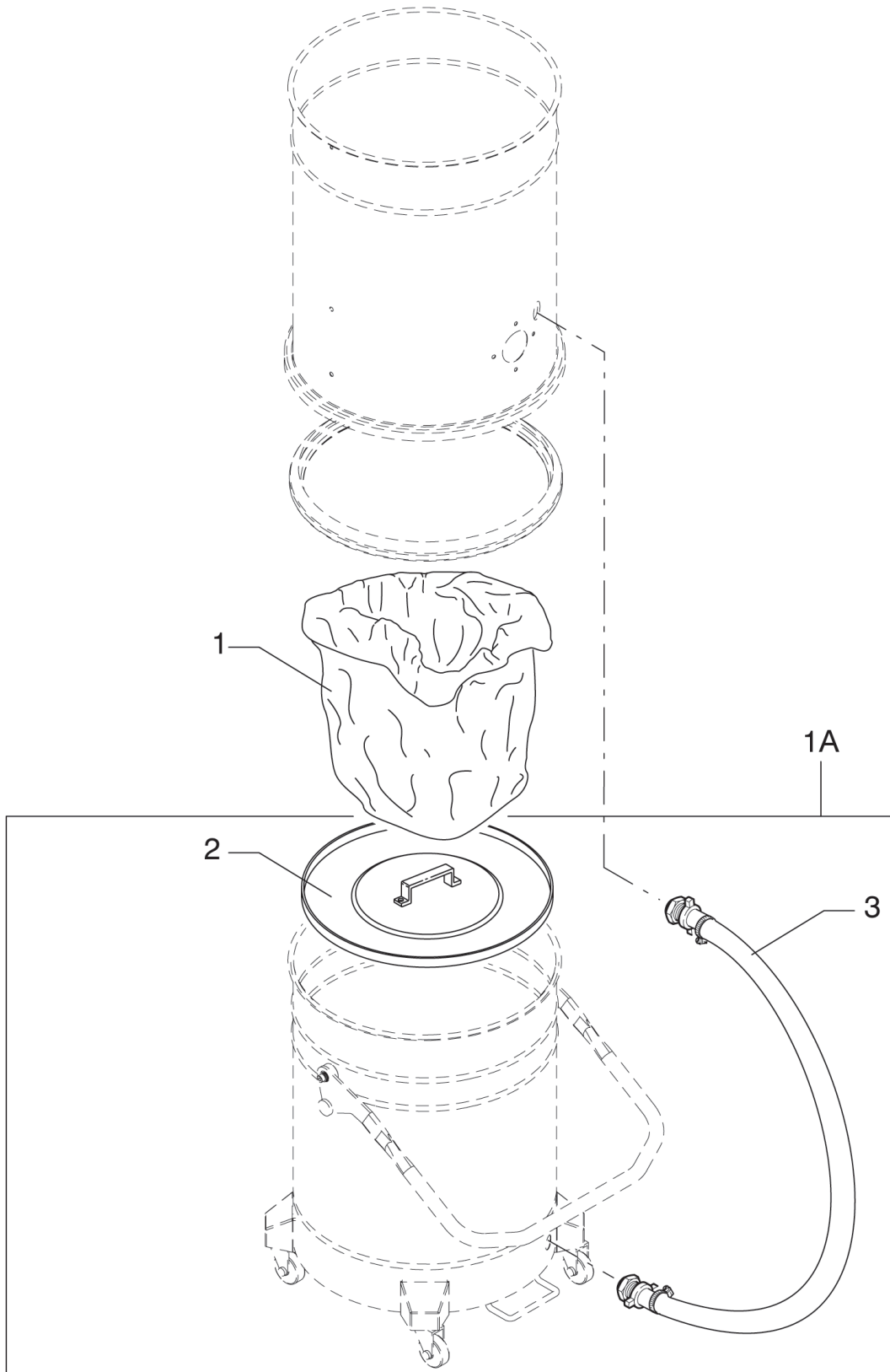
[1] - CONTACT PM IN ZOCCA



Pos.	Product no	QTY	Description	Notes
1	Z58 391278	1	CAPACITIVE SENSOR M32 PA NO-NC	[1]
1A	4089100124	1	CAPACITIVE SOLIDE SENSOR KIT	

Part Notes:

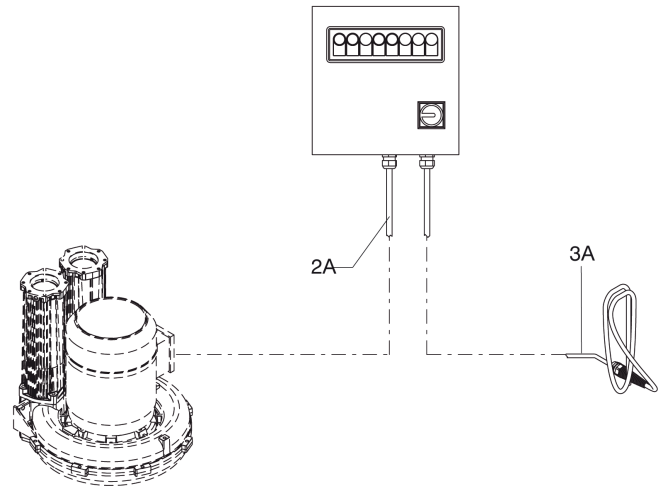
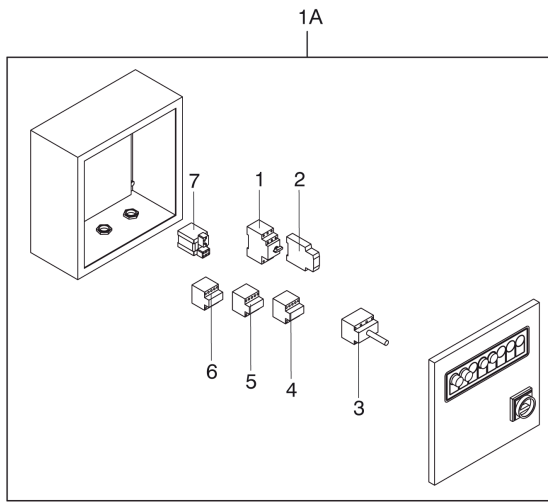
[1] - CONTACT PM ZOCCA



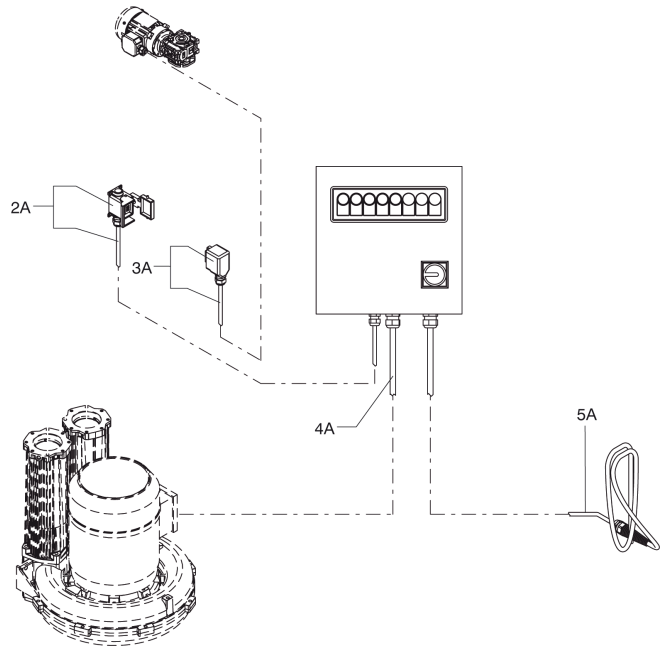
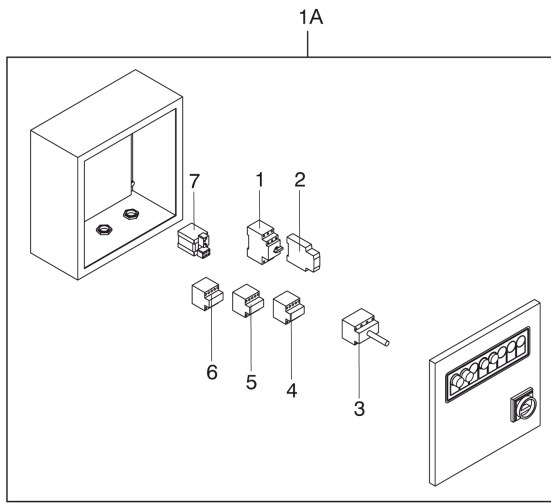
Pos.	Product no	QTY	Description	Notes
1	Z8 40100	1	BAG POLYETHYLENE LDPE 460/560	
2	Z8 31221	1	CONTAINER GRID D460 ZINC	[1]
3	Z5 60225	1	TUBE DEPRESSOR D.19 MOD.3308	[2]
4	4083000555	1	COMPLETE BIN D460 L100 S3 F.DEPRBIN D460 S3 L100 GRILL AND DEP	
5	4083101095	1	LATERALE 460X590 T22 FORO DEP. R7001LATERALE 460X590 T22 FORO DEP. R7001	
1A	4056000535	1	KIT PLASTIC BAG L50 MOD.S2-S3	

Part Notes:

- [1] - CONTACT PM IN ZOCCA
- [2] - ONLY USED FOR PRODUCTION



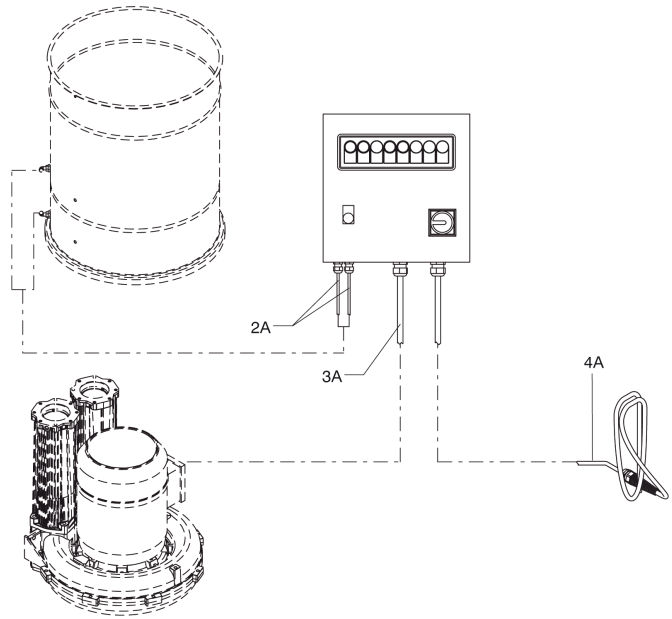
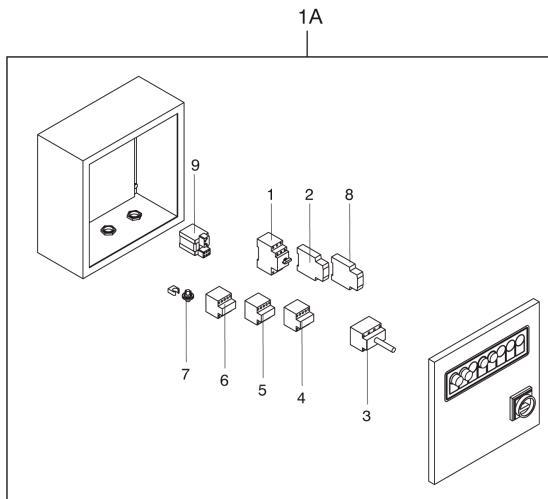
Pos.	Product no	QTY	Description	Notes
1	Z8 39675	1	CIRCUIT BREAKER 25-32 A PKZM0	
1	4083901542	1	CIRCUIT BREAKER 13-20 A SIR.IN.S0	
2	Z8 39119	1	TIMER S/T 0-60 SEC. 24-110-230V	
3	Z8 39556	1	MAIN SWITCH 32A IP65 S	
4	4083901552	1	CONTACTOR KW5.5 24VAC 1NO SIR.IN.S00	
4	4083901557	1	CONTACTOR KW11 24VAC SIR.IN.S0	
5	4083901549	1	CONTACTOR KW3 24VAC 1NC SIR.IN.S00	
5	4083901556	1	CONTACTOR KW7.5 24VAC SIR.IN.S0	
6	4083901553	1	CONTACTOR KW5.5 24VAC 1NC SIR.IN.S00	
7	Z8 391051	1	TRANSFORMER 63VA 400-230/24V FUSE AT SEC	
1A	4084101146	1	E.B. KW7.5 S/T MOD.T75	
1A	4084101269	1	I.E. KW7,5 S/T 460V60HZ MOD.T75	
1A	4084101373	1	I.E. KW7,5 S/T 230V MOD.T75	
2A	Z8 39127	1	CABLE CONN.MOT. 7G4 FROR	
3A	4089101058	1	POWER CABLE KIT 4G4 M.T75	
3A	4089101059	1	POWER CABLE KIT 4G4 SP.32A 5PP M.T75	
3A	4089101060	1	POWE CABLE KIT 4G6 NE. MOD.3907	
3A	40000838	1	POWER CABLE V230 HZ60KIT	



Pos.	Product no	QTY	Description	Notes
1	4089100063	1	14-20A CONTACT BREAKER KIT	[1]
1	4089100066	1	CONTACT BREAKER KIT 0.28-0.4A	[1]
2	Z8 39119	1	TIMER S/T 0-60 SEC. 24-110-230V	
3	Z8 39556	1	MAIN SWITCH 32A IP65 S	
4	Z8 391008	1	CONTACTOR KW5.5 24VAC 1NC SIRIUS S00	[1]
5	Z8 391006	1	CONTACTOR KW3 24VAC 1NC SIRIUS S00	[1]
6	4089100064	1	KW 5.5 24VAC 1NO REMOTE SWITCH	[1]
7	Z8 391051	1	TRANSFORMER 63VA 400-230/24V FUSE AT SEC	
1A	4084101147	1	E.B. KW7.5 S/T SE MOD.T75	[2]
2A	4089100068	1	FIX EL. FILTER SHAKER JUNCTION	[2]
3A	4089100067	1	MOBILE EL. FILTER SHAKER JUNCTION	
4A	Z8 39127	1	CABLE CONN.MOT. 7G4 FROR	
5A	4089101058	1	POWER CABLE KIT 4G4 M.T75	

Part Notes:

- [1] - CONTACT PM IN ZOCCA-CHECK EC
- [2] - CONTACT PM IN ZOCCA

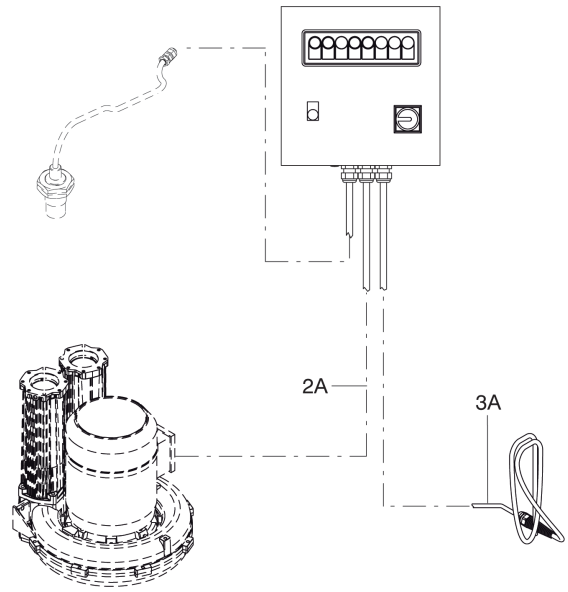
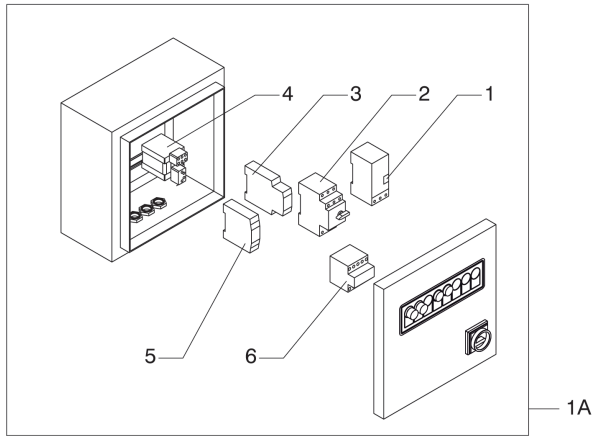


Pos.	Product no	QTY	Description	Notes
1	4089100063	1	14-20A CONTACT BREAKER KIT	[1]
1A	4084101148	1	E.B. KW7.5 S/T L MOD.T75	
2	Z8 39119	1	TIMER S/T 0-60 SEC. 24-110-230V	
2A	Z8 39127	1	CABLE CONN.MOT. 7G4 FROR	
3	Z8 39556	1	MAIN SWITCH 32A IP65 S	
3A	4089101058	1	POWER CABLE KIT 4G4 M.T75	
3A	4089101059	1	POWER CABLE KIT 4G4 SP.32A 5PP M.T75	
4	Z8 391008	1	CONTACTOR KW5.5 24VAC 1NC SIRIUS S00	[1]
5	Z8 391006	1	CONTACTOR KW3 24VAC 1NC SIRIUS S00	[1]
6	4089100064	1	KW 5.5 24VAC 1NO REMOTE SWITCH	[1]
7	Z8 40841	1	PRESSURE-SWITCH 10MBAR NO	
8	4089100070	1	24VAC DPDT RELAY KIT	[2]

Part Notes:

- [1] - CONTACT PM IN ZOCCA-CHECK EC
- [2] - CONTACT PM IN ZOCCA

Pos.	Product no	QTY	Description	Notes
1	4083901542	1	CIRCUIT BREAKER 13-20 A SIR.IN.S0	
1A	4084101270	1	I.E. KW7,5 S/T BOCC MOD.T75	
2	Z8 39259	1	RELAY 24VAC 2 EXCHANGES 55 F	
2A	Z8 41039	1	E.B. KIT CART. D3-460 24VAC IP55	
3	Z8 391051	1	TRANSFORMER 63VA 400-230/24V FUSE AT SEC	
4A	4089101058	1	POWER CABLE KIT 4G4 M.T75	
4A	4089101059	1	POWER CABLE KIT 4G4 SP.32A 5PP M.T75	
4	4083901552	1	CONTACTOR KW5.5 24VAC 1NO SIR.IN.S00	
5	Z8 391107	1	CYCLIC TIMER 24VAC 4OUT	
6	Z8 39979	1	CABLE 3G1 WITH CONNECTOR FOR TANKS	
4A	4089101060	1	POWE CABLE KIT 4G6 NE. MOD.3907	
4A	40000838	1	POWER CABLE V230 HZ60KIT	
3A	Z8 39127	1	CABLE CONN.MOT. 7G4 FROR	



Pos.	Product no	QTY	Description	Notes
1	Z58 39783	1	STABILISED RECTIFIER 3A V24 AC/DC	
2	4083901542	1	CIRCUIT BREAKER 13-20 A SIR.IN.S0	
4	Z8 391051	1	TRANSFORMER 63VA 400-230/24V FUSE AT SEC	
4	4083901552	1	CONTACTOR KW5.5 24VAC 1NO SIR.IN.S00	
5	4083901549	1	CONTACTOR KW3 24VAC 1NC SIR.IN.S00	
6	4083901553	1	CONTACTOR KW5.5 24VAC 1NC SIR.IN.S00	
1A	4084101333	1	I.E. KW7,5 S/T SE C.L.CAP VDC MOD.T75	
2A	Z8 39127	1	CABLE CONN.MOT. 7G4 FROR	
3A	4089101058	1	POWER CABLE KIT 4G4 M.T75	
3A	4089101059	1	POWER CABLE KIT 4G4 SP.32A 5PP M.T75	
3A	4089101060	1	POWE CABLE KIT 4G6 NE. MOD.3907	
3A	40000838	1	POWER CABLE V230 HZ60KIT	

