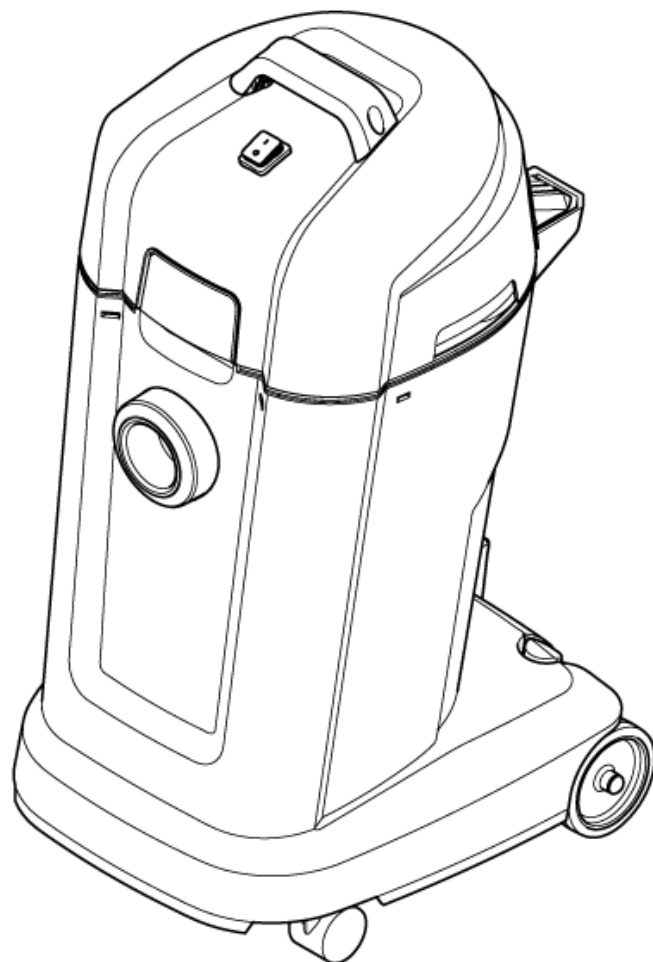


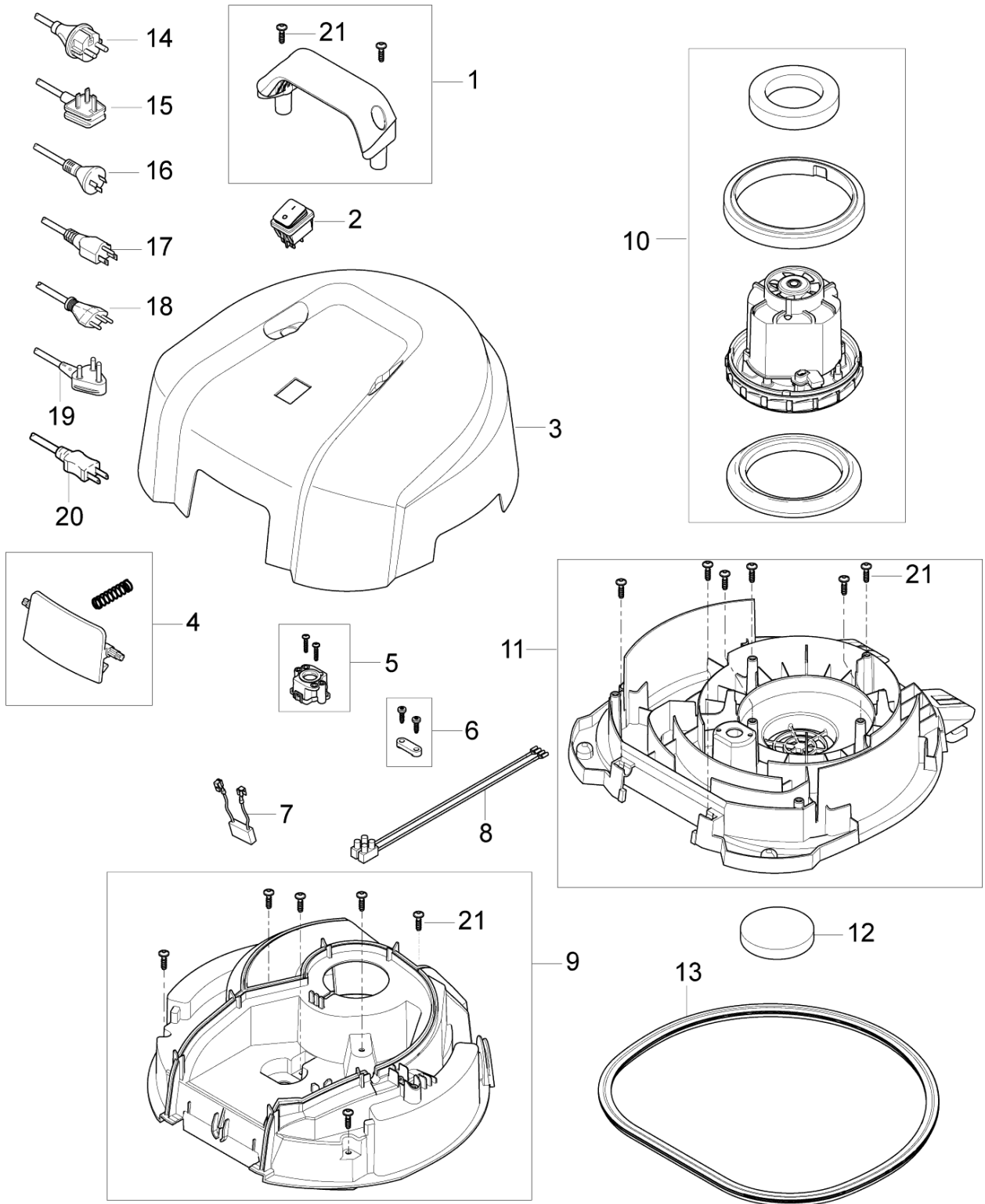
PARTS LIST



2020.11.11

TABLE OF CONTENTS

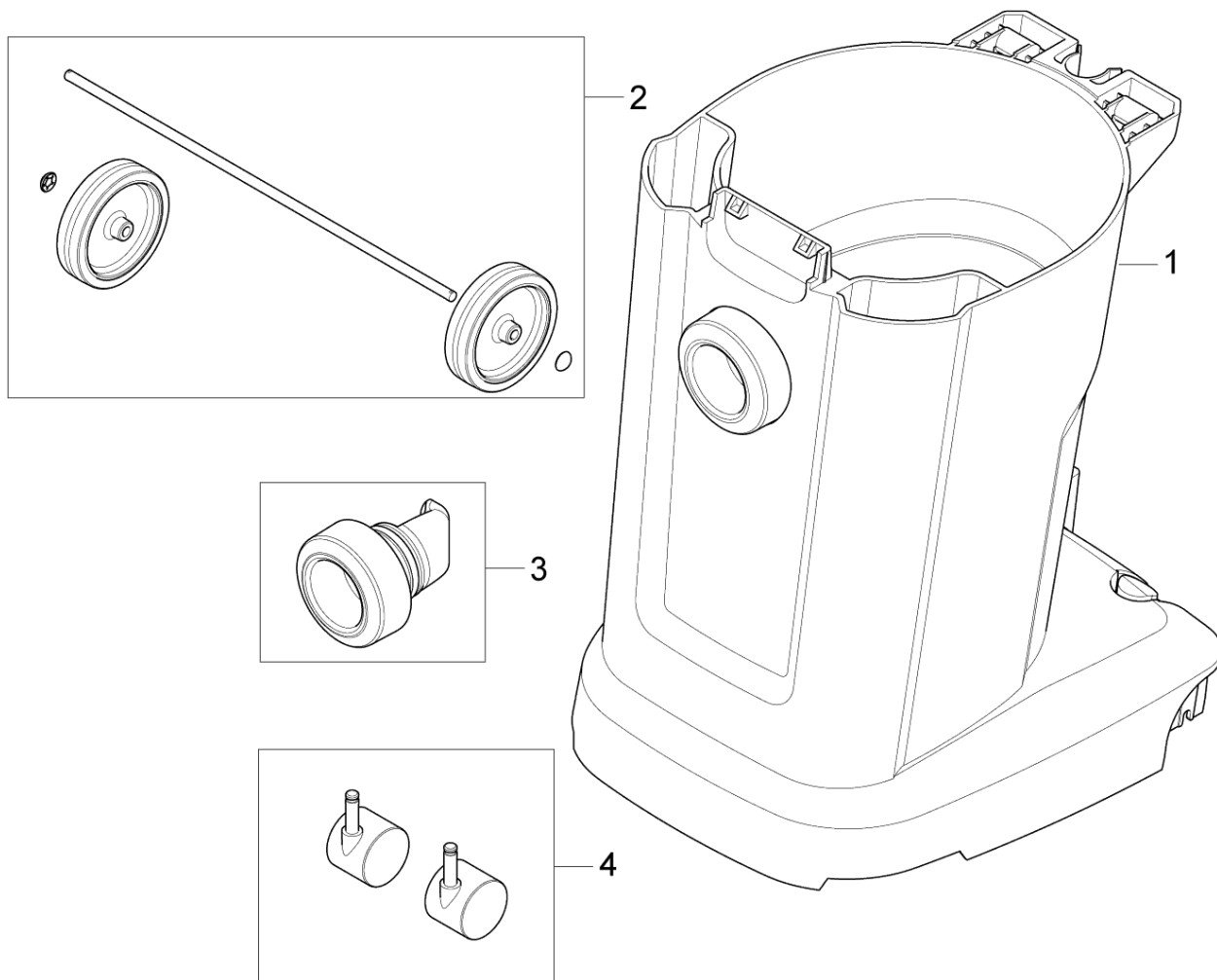
Top 35	1
Container 35 BSF, BDF, EDF	3
Filters and bags 35.....	5
Accessories 35	7
Recommended spare parts	9



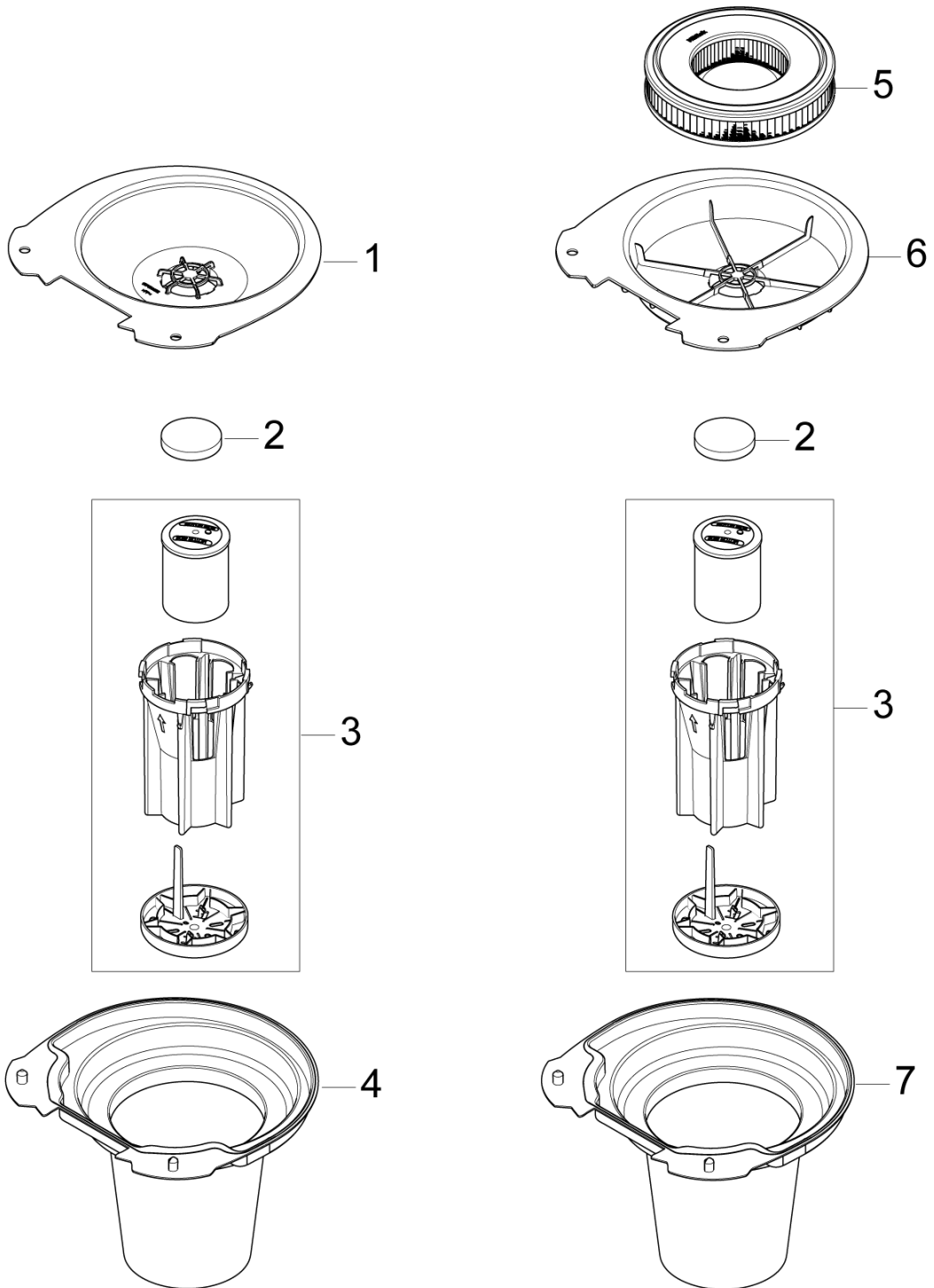
Pos.	Product no	QTY	Description	Notes
0	107410810	1	PACKAGING VL500/MAXXI 35 - KIT	
1	107407233	1	HANDLE F. 35L BIN VL500	
2	107404540	1	SWITCH 0-1 DOUBLE POLE SET	
3	107407305	1	HOOD 35L VL500	
4	107407235	1	CLAMP F. 75-55-35 L BIN VL500	
5	107407237	1	VACUUM VALVE CPL.	
6	140 6560 500	1	ANTI STRAIN CLIP	
7	48338	1	ANTI-INTERFERENCE CAPACITOR	
8	140 7042 500	1	WIRE INTERNAL FOR GWD 300	
9	107407238	1	CLAMPINGPLATE 35L	
10	302003388	1	MOTOR KIT 1000W 120V	
10	302003384	1	MOTOR KIT 1200W 230V	
10	302004006	1	MOTOR 1200W/100V JP W.GASKET	
11	107407239	1	BASEPLATE 35L 1 MOTOR VL500	
12	140 8682 500	1	MOTOR FILTER	
13	107407241	1	GASKET F. BASEPLATE 35L	
14	12222501	1	CORD SET EU L 10M	
15	12222503	1	CORD SET UK L 10M	
16	12222506	1	CORD SET AU/NZ L 10M	
17	107401614	1	CORD SET US/TW 3C 15.5M YELLOW	
18	12222507	1	CORD SET CH L 10M	
19	107407242	1	POWER CORD H05VV-F 2X1.00 SABS 164-1 16A	[1]
20	140 6702 500	1	CORD SET JP 15.5M	
21	302004029	8	SCREW PT50X18	

Part Notes:

[1] - ZA



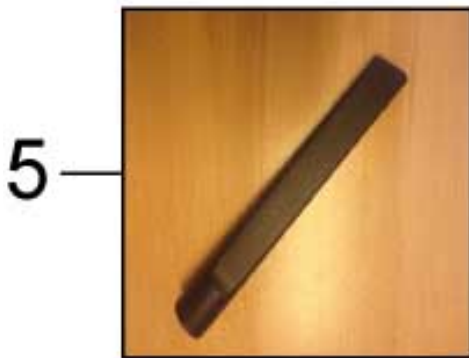
Pos.	Product no	QTY	Description	Notes
01	107407256	1	CONTAINER WITH TROLLEY 35L VL500	
02	140 8446 600	1	WHEEL REAR 2 PCS	
03	107407258	1	INLET ROUND VL500	
04	140 6422 500	1	WHEELS LINK 50MM	



Pos.	Product no	QTY	Description	Notes
1	107407295	1	FLOATER ADAPTER 35L	[1]
2	140 8682 500	1	MOTOR FILTER	
3	140 8680 500	1	FLOAT BASKET	
4	107407296	1	SACK FILTER	[1]
5	107407297	1	CARTRIDGE FILTER	[2]
5	107409006	1	HEPA CARTRIDGE FILTER	[3]
6	107407298	1	DRYFILTER BOX 35L	[2]
7	107407299	1	WET FILTER	[2]

Part Notes:

- [1] - BSF
- [2] - BDF, EDF
- [3] - Option



Pos.	Product no	QTY	Description	Notes
1	302004004	1	FLEECE FILTER BAG 5 PCS ATTIX 40/50	
2	107407308	1	HOSE D32 1.9M CPL	
3	107416576	1	HARDFLOOR NOZZLE 400MM x Ø32MM - KIT	
3	107416575	1	HARDFLOOR NOZZLE 300MM x Ø32MM - KIT	
3	107407310	1	FLOOR NOZZLE D32 RUBBER STRIP	
3	107407311	1	FLOOR NOZZLE D32 BRUSH	
4	107407309	2	EXTENSION TUBE D32 - SS	
5	107407334	1	CREVICE NOZZLE D32	
6	107407312	1	BRUSH NOZZLE D32	
7	107408801	1	PUMP KIT – VL500 220/240V	[1]

Part Notes:

[1] - NO LONGER AVAILABLE

Recommended spare parts

VL500 - 35E - Nilfisk

2017.11.02

2018.11.06

Pos.	Product no	QTY	Description	Notes
	107407293	1	EASY TILT 75L BIN LEFT-RIGHT	
	107407296	1	SACK FILTER	
	12222501	1	CORD SET EU L 10M	
	302003388	1	MOTOR KIT 1000W 120V	
	107404540	1	SWITCH 0-1 DOUBLE POLE SET	
	140 8446 600	1	WHEEL REAR 2 PCS	
	107407298	1	DRYFILTER BOX 35L	
	140 8682 500	1	MOTOR FILTER	
	48338	1	ANTI-INTERFERENCE CAPACITOR	
	107407237	1	VACUUM VALVE CPL.	
	107407235	1	CLAMP F. 75-55-35 L BIN VL500	
	107407299	1	WET FILTER	
	107407297	1	CARTRIDGE FILTER	
	140 8680 500	1	FLOAT BASKET	
	140 6422 500	1	WHEELS LINK 50MM	
	302003384	1	MOTOR KIT 1200W 230V	
	107407295	1	FLOATER ADAPTER 35L	
	107407258	1	INLET ROUND VL500	
	302004029	1	SCREW PT50X18	

