

PARTS LIST



2020.11.26

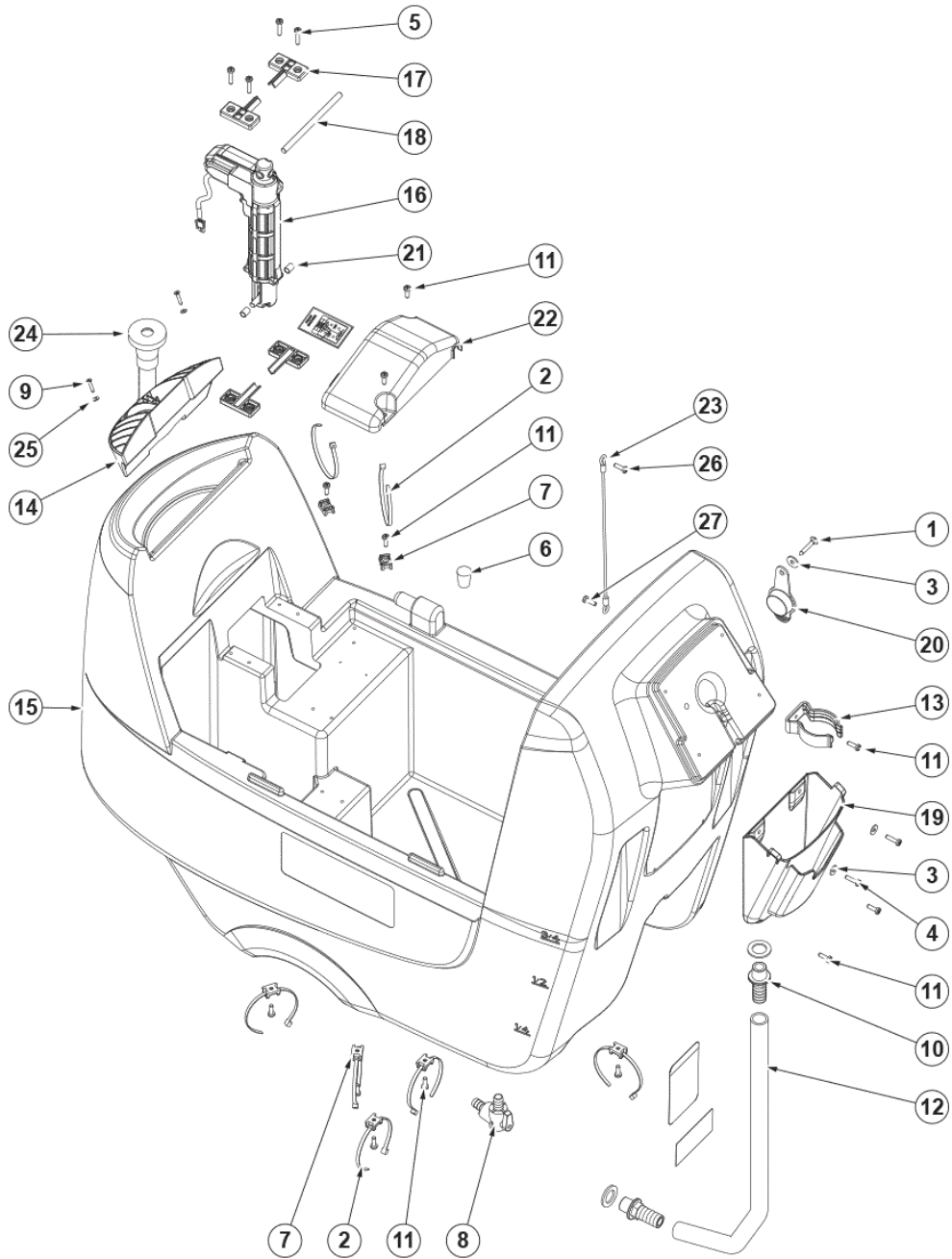
TABLE OF CONTENTS

PL GENERAL VIEW	1
PL SOLUTION TANK	3
PL RECOVERY TANK	5
PL MOTOR DRIVE	7
PL PADDLE AND DASHBOARD	9
PL REAR WHEELS	11
PL SQUEEGEE SYSTEM	13
PL DISC DECK	15
PL ELECTRICAL COMPONENTS	17
PL BATTERY CHARGER	19
PL ECOFLEX SYSTEM	21
PL ACCESSORIES 1	23
PL ACCESSORIES 2	25
PL ACCESSORIES 3	27
PL WIRING DIAGRAM	29
PL RECOMMENDED SPARE PARTS	31

Pos.	Product no	QTY	Description	Notes
1	9100000735	1	DECALS NILFISK SC500 KIT	
2		1	WHEELS REAR-SQUEEGEE ASSEMBLY	[1]
3		1	TANK RECOVERY ASSEMBLY	[2]
4		1	MOTOR DRIVE ASSEMBLY	[3]
5		1	TANK SOLUTION ASSEMBLY	[4]
6		1	SQUEEGEE ASSEMBLY	[5]
7		1	PADDLE ASSEMBLY	[6]
8		1	PANEL CONTROL ASSEMBLY	[7]
9		1	DECK BRUSH ASSEMBLY	[8]
10		1	SYSTEM SOLUTION ASSEMBLY	[9]
11		1	ECOFLEX ASSEMBLY	[10]
12		1	CHARGER BATTERY ASSEMBLY	[11]

Part Notes:

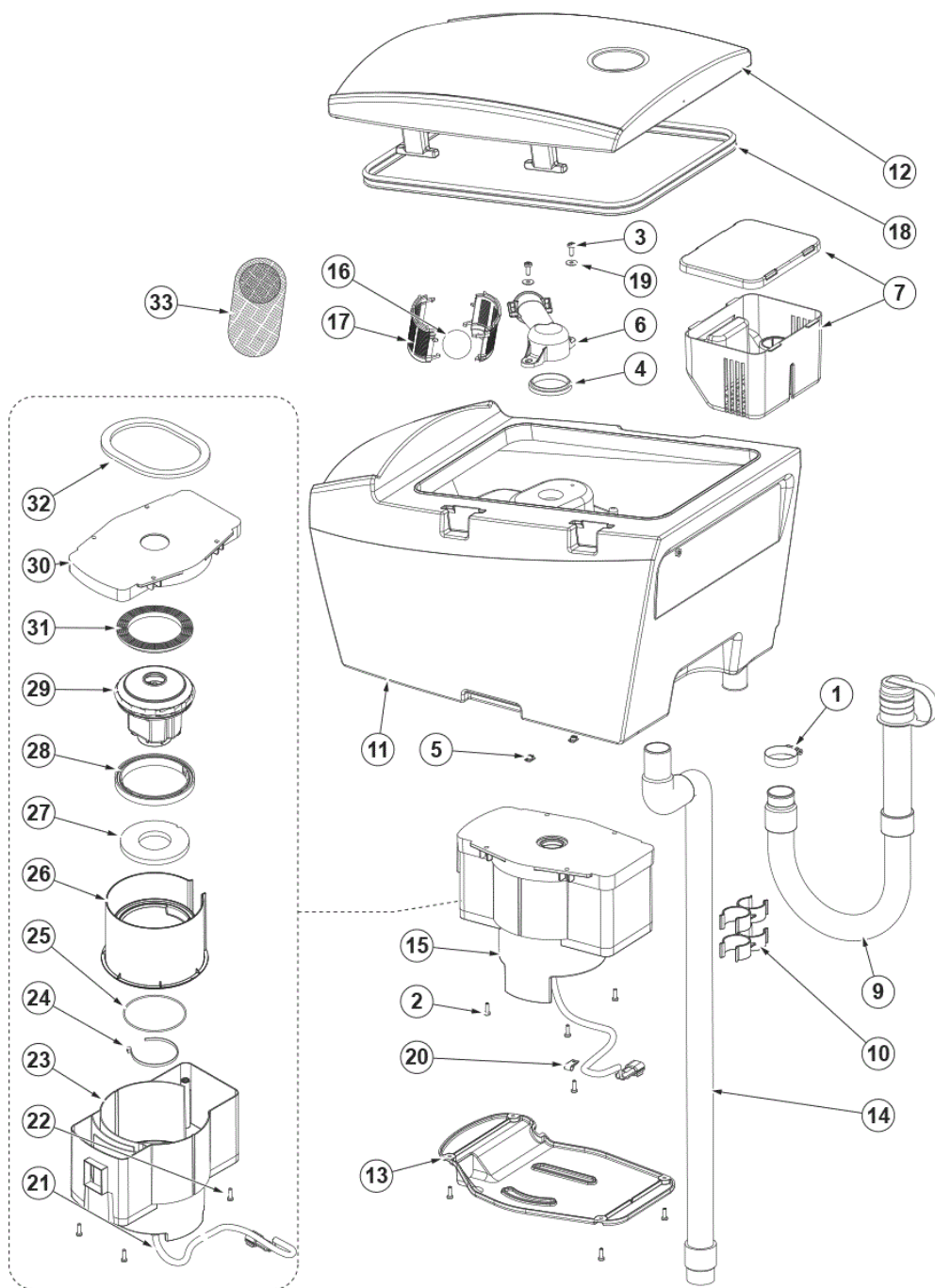
- [1] - REAR WHEELS
- [2] - RECOVERY TANK
- [3] - MOTOR DRIVE
- [4] - SOLUTION TANK
- [5] - SQUEEGEE SYSTEM
- [6] - PADDLE
- [7] - DASHBOARD
- [8] - DISC DECK
- [9] - SOLUTION SYSTEM
- [10] - ECOFLEX SYSTEM
- [11] - BATTERY CHARGER



Pos.	Product no	QTY	Description	Notes
8	9100000803	1	VALVE ELBOW SIP	
10	9100000574	2	BARB HOSE STRAIGHT D.19.8 G1/2 PLAST KIT	
12	9098446000	1	HOSE SOLUTION	
13	909 6380 000	1	CLAMP KIT	
14	9100000899	1	FILTER WATER INLET SIP	
15	9100000804	1	TANK SOLUTION 45L PLAST. GREY SIP	
16	9100000805	1	ACTUATOR LINEAR 24V DC STRK 120MM SIP	[1]
16	9100000806	1	ACTUATOR LINEAR 24V DC STRK 98MM SIP	[2]
19	9100000807	1	BOX F CHARGER CABLE SIP	
20	9100000808	1	RUBBER SOLUTION CAP SIP	
21	9100002105	1	CAP D.9 PLASTIC 10 PCS SET	[3]
22	9100000809	1	COVER PLAST. F DETERGENT SOLU. PUMP SIP	
24	9100000703	1	HOSE FILLING SIP	[4]
K1	9100000737	1	ACTUATOR FIXING KIT	[5]
K2	9100000738	1	HARDWARE SOLUTION TANK KIT	[6]
K3	9100000794	1	CABLE SAFETY F TANK KIT	[7]

Part Notes:

- [1] - For DISC version
- [2] - For REV version
- [3] - SEE TSB-FC-2016-021
- [4] - OPTIONAL - SEE TSB-FC-2016-020
- [5] - NOT SHOWN - Pos. 5-17-18-21
- [6] - NOT SHOWN - Pos. 1-2-3-4-6-7-9-11-25-26-27
- [7] - NOT SHOWN - Pos. 23-26-27



Pos.	Product no	QTY	Description	Notes
1	9100001348	1	CLAMP HOSE 32-52/12 10 PCS SET	
4	9100000928	1	GASKET FLOAT SUPPORT PLAST. SIP	
7	9100000795	1	TRAY DEBRIS KIT	[1]
9	9100000812	1	HOSE DRAIN BLACK L.876MM SIP	
10	9100000889	1	CLIP HOSE STOPPING 2 PCS SET	
11	9100000813	1	TANK RECOVERY 45L PLAST. GREY SIP	
12	9100000814	1	COVER PLAST. GREY F TANK 45L SIP	[2]
13	9100000815	1	COVER F VACUUM MOTOR SOUNDPROOFING SIP	
14	9100000816	1	HOSE SUCTION SQUE. 90 BLACK L.1000MM SIP	
15	9100000904	1	MOTOR VACUUM 24V 280W CPL KIT	
15	9100000491	1	HIGH POWER VACUUM MOTOR 24V 450W KIT	[3]
16	9100000817	1	BALL FLOATING SIP	
17	9100000818	1	CAGE FLOAT HALF 2 PCS SET	
18	9100000819	1	GASKET BULB RUBBER L.1670MM SIP	
21	9100000820	1	HARNESS VACUUM MOTOR SIP	
23	9100000821	1	SUPPORT EXT. INSULATION VAC. MOTOR SIP	
26	9100000822	1	SUPPORT INT. INSULATION VAC. MOTOR SIP	
29	9100000823	1	MOTOR VACUUM 24V 280W SIP	
30	9100000824	1	SUPPORT UPPER F VAC. MOTOR SOUNDPR. SIP	
33	909 5065 000	1	FILTER ANTIFOAMING	[1]
K1	9100001875	1	SUPPORT FLOAT KIT	[4]
K2	9100000739	1	GASKETS VACUUM MOTOR KIT	[5]
K3	9100000740	1	HARDWARE RECOVERY TANK KIT	[6]

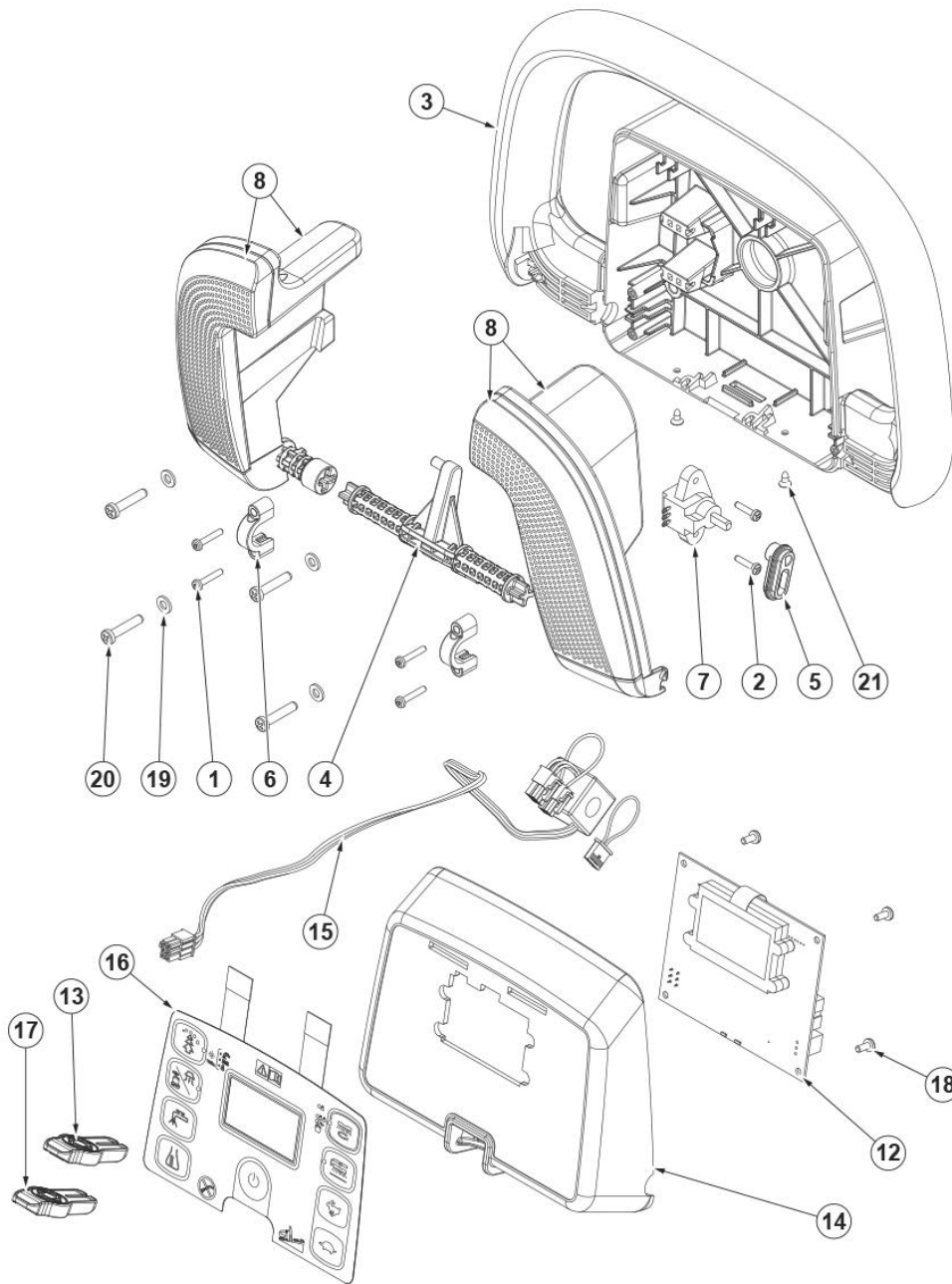
Part Notes:

- [1] - OPTIONAL
- [2] - See TSB-FC-2017-043
DE TSB-FC-2017-043 SC500 Schmutzwasser Tankdeckel
- [3] - OPTIONAL - INST. INSTR. 9100000753
- [4] - NOT SHOWN - Pos. 3-4-6-19
- [5] - NOT SHOWN - Pos. 25-27-28-31-32
- [6] - NOT SHOWN - Pos. 1-2-5-20-22-24

Pos.	Product no	QTY	Description	Notes
1	146 0769 000	2	KEY 6X6X40 UNI6604A	
2	9100000825	1	LEVER EXT. FOR DECK LIFTING 2 PCS SET	
3	9100000826	1	LEVER INT. FOR DECK LIFTING 2 PCS SET	
4	9100000827	1	MOTOR DRIVE 200W 24V KIT	[1]
5	9100002349	1	MOTOR ELECTRIC 200W 24V KIT	
6	9100000920	1	CARBON BRUSHES W/HOLDER KIT	
16	9100000830	1	WHEEL D.200X50 GREY-BLACK 2 PCS SET	
19	9100002594	1	COVER WHEEL PLASTIC KIT	[2]
K1	9100000742	1	HARDWARE DRIVE MOTOR KIT	[3]

Part Notes:

- [1] - TSB-FC-2018-013 SC500_Oil leak from transaxle rev
- [2] - TSB-FC-2018-013 SC500_Oil leak from transaxle rev
DE TSB-FC-2018-013 SC500 Ölundichtigkeit am Fahrtrieb - überarbeitet
- [3] - NOT SHOWN - Pos. 1-7-8-9-10-11-12-13-14-15-17-18



PL PADDLE AND DASHBOARD

SC500 53 B NIL

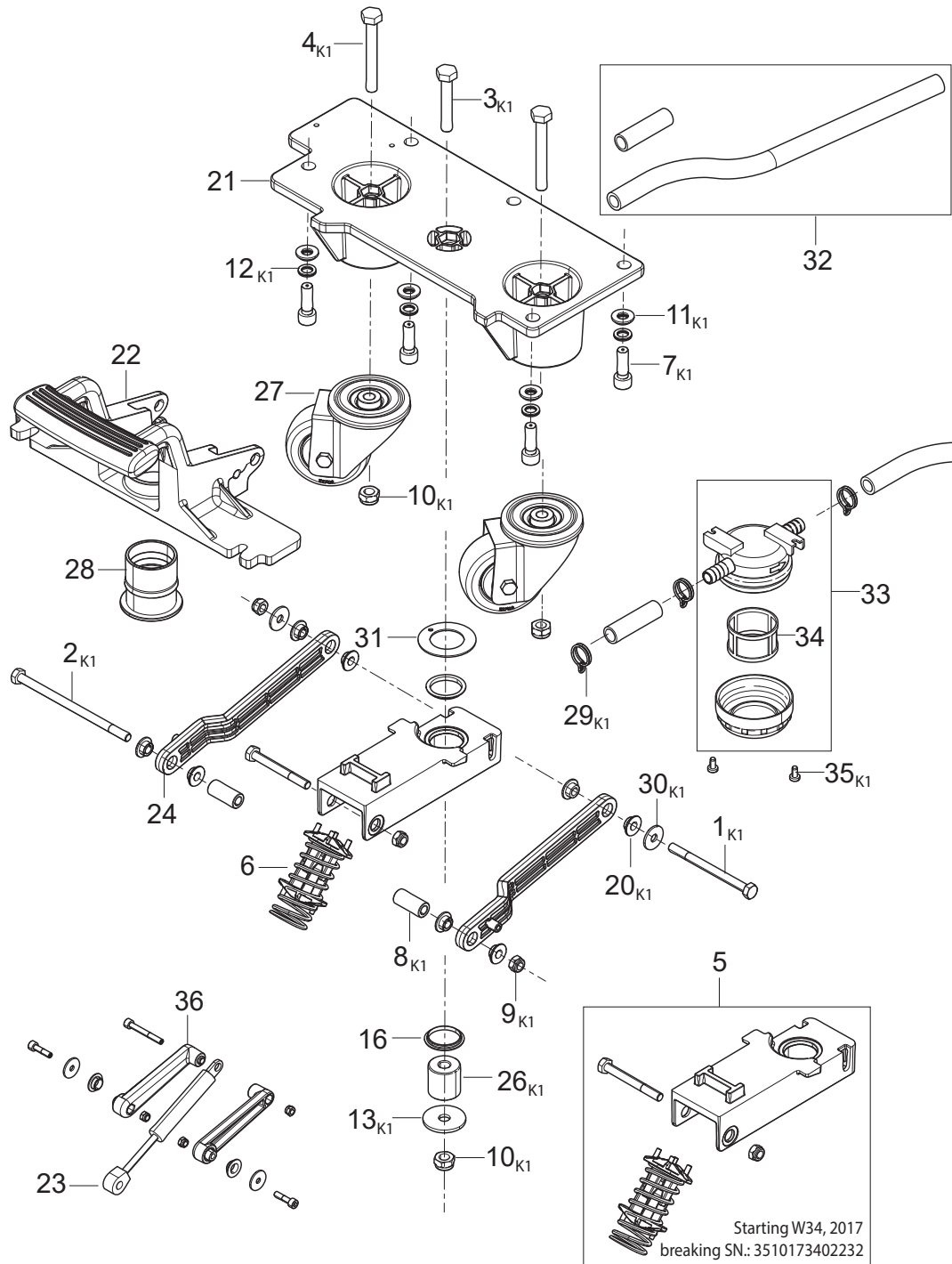
2017.11.02

2017.06.09

Pos.	Product no	QTY	Description	Notes
3	910000835	1	HANDLE BAR SIP	
4	910000836	1	SHAFT LEVERS CONNECTION SIP	
7	910000837	1	POTENTIOMETER 5K WIRED SIP	
8	9100002167	1	LEVERS RT-LT DRIVING ASSEMBLED KIT	
12	910000842	1	CARD DISPLAY SIP	
13	910000843	1	OPERATOR KEY	[1]
14	910000844	1	COVER HANDLE BAR SIP	
15	910000845	1	HARNESS CONTROL PANEL SIP	
16	910000846	1	DASHBOARD CONTROL PANEL SIP	[2]
16	910000847	1	DASHBOARD CONTROL PANEL SIP	[3]
17	910000848	1	SUPERUSER KEY	[1]
K1	910000745	1	PADDLE AND DASHBOARD FIXING KIT	[4]

Part Notes:

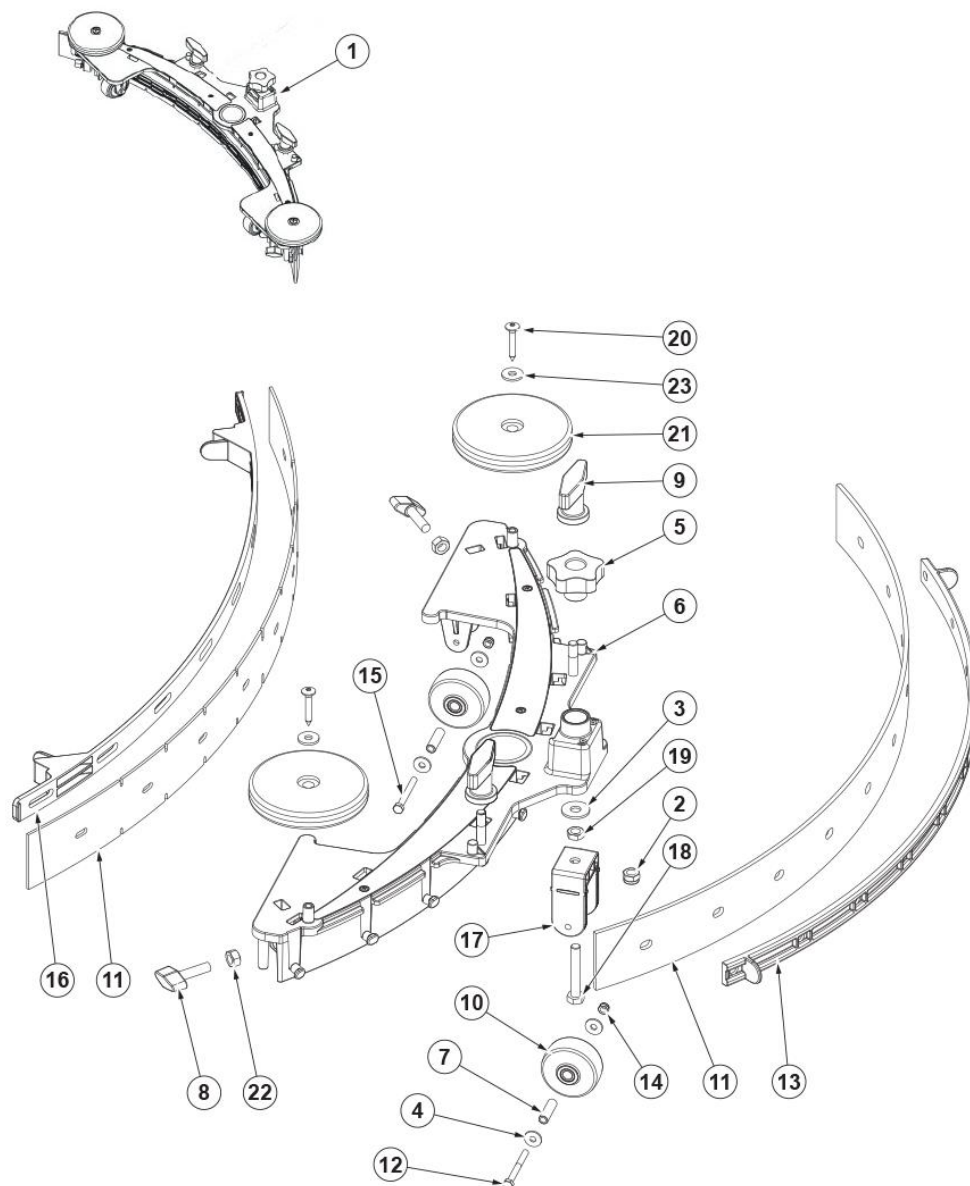
- [1] - OPTIONAL
- [2] - Only for SC500 53 B DISC
- [3] - Only for SC500 53R B REV
- [4] - NOT SHOWN - Pos. 1-2-5-6-18-19-20-21



Pos.	Product no	QTY	Description	Notes
5	9100002400	1	SUPPORT UPPER F SQUEEGEE KIT	[1]
6	9100002401	1	SPRING COMPRESSION KIT	
16	9100000902	2	BEARING FLANGE IGLIDUR 2 PCS SET	
21	9100000851	1	SUPPORT REAR WHEELS-SQUEEGEE SIP	
22	9100000853	1	SUPPORT LOWER F SQUEEGEE SIP	
23	9100000855	1	SPRING GAS 30 KG SIP	[2]
24	9100000854	1	LEVER SQUEEGEE LIFT 2 PCS SET	
27	9100000856	1	WHEEL CASTOR D.80X32 GALV. 2 PCS SET	
27	9100001581	1	WHEEL CASTOR D.80 SS 2PCS SET	[3]
28	9100000857	1	SLEEVE RUBBER BLACK F SUCTION HOSE SIP	
31	9100000903	1	WASHER THRUST GTM 3254-015 SIP	
32	9100000796	1	HOSES SOLUTION SYSTEM KIT	
33	9100000860	1	FILTER WATER SIP	
34	9100000861	1	NET WATER FILTER REINFORCED SIP	
36	9100000849	1	LEVER GAS SPRING LEFT SIP	
K1	9100000746	1	SUPPORT SQUEEGEE FIXING KIT	[4]

Part Notes:

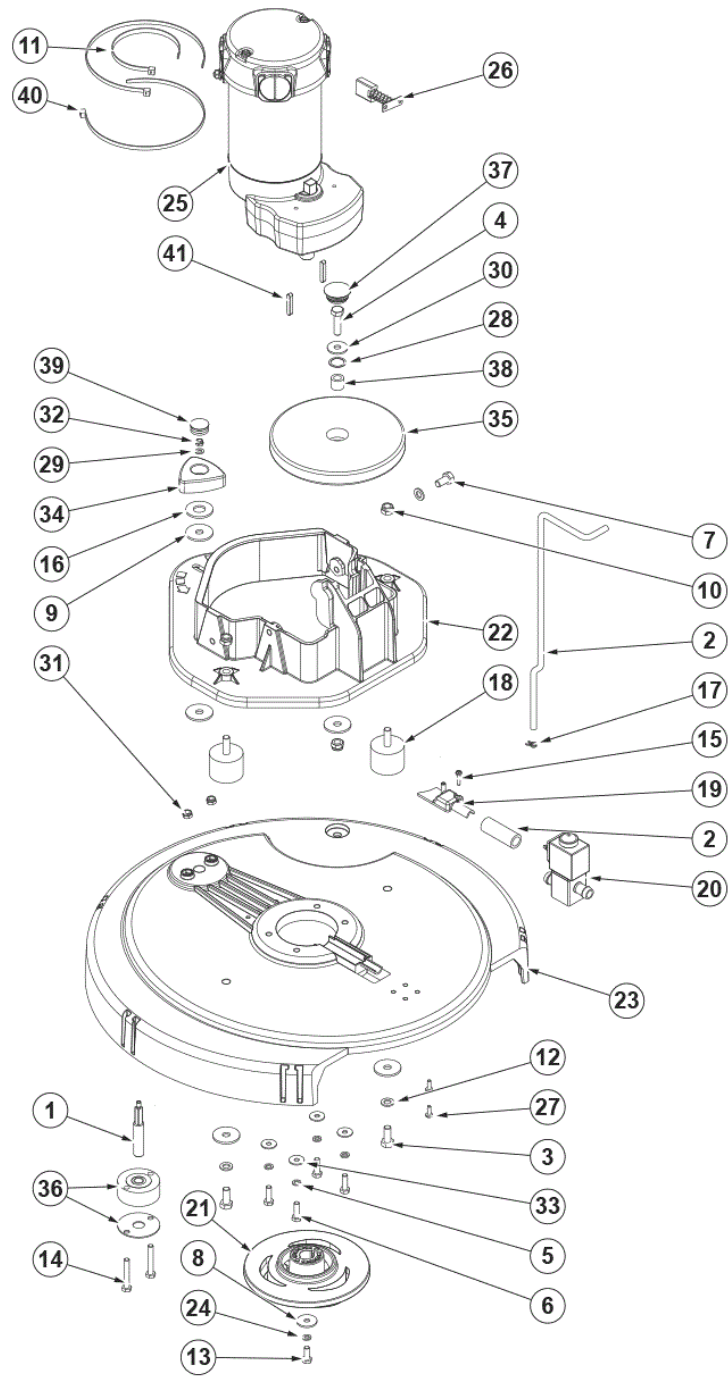
- [1] - SEE INST. INSTR. 9100002404
SEE TSB-FC-2017-067
SEE DE TSB-FC-2017-067 SC500 neue Saugfuss Feder
- [2] - SEE TSB-FC-2016-259
SEE TSB-FC-2017-067
SEE DE TSB-FC-2017-067 SC500 neue Saugfuss Feder
- [3] - OPTIONAL
- [4] - NOT SHOWN - Pos. 1-2-3-4-7-9-10-11-12-13-16-20-26-29-30-31-35



Pos.	Product no	QTY	Description	Notes
1	9100001366	1	SQUEEGEE 700M 28 PLAST. KIT	[1]
1	9100001367	1	SQUEEGEE 700M 28 PLAST. KIT	[2]
5	9100000862	1	KNOB LOBES M8 FEMALE SIP	
6	9100000747	1	SQUEEGEE 700MM 28 PLAST. PRE-ASSEMB. SIP	
7	9100002408	1	BEARING SLEEVE D.5.1X8 H.28.5 3 PCS SET	
8	9100000791	2	KNOB M8X30 THD STUD SS SIP	
9	9097637000	1	SQUEEGEE FIXING KIT	
10	9100000559	3	WHEEL D.51 GREY SIP	
11	9100000810	1	BLADES SQUEE. 700MM 28 GUM RUBBER KIT	[3]
11	9100000490	1	BLADES SQUEEGEE 700MM 28 PU KIT	[3]
11	9100000060	1	BLADES SQUEEGEE 700MM 28 RED GUM KIT	[3]
13	9100000864	1	STRAP REAR ELASTIC F SQUEE. 700MM 28 SIP	
16	9100000865	1	STRAP FRONT PLAST. F SQUEE. 700MM 28 SIP	
17	9100000866	1	SUPPORT SQUEEGEE WHEEL SIP	
21	9100001816	1	WHEEL BUMPER D.100 PLASTIC 2 PCS SET	
K1	9100000748	1	HARDWARE SQUEEGEE KIT	[4]

Part Notes:

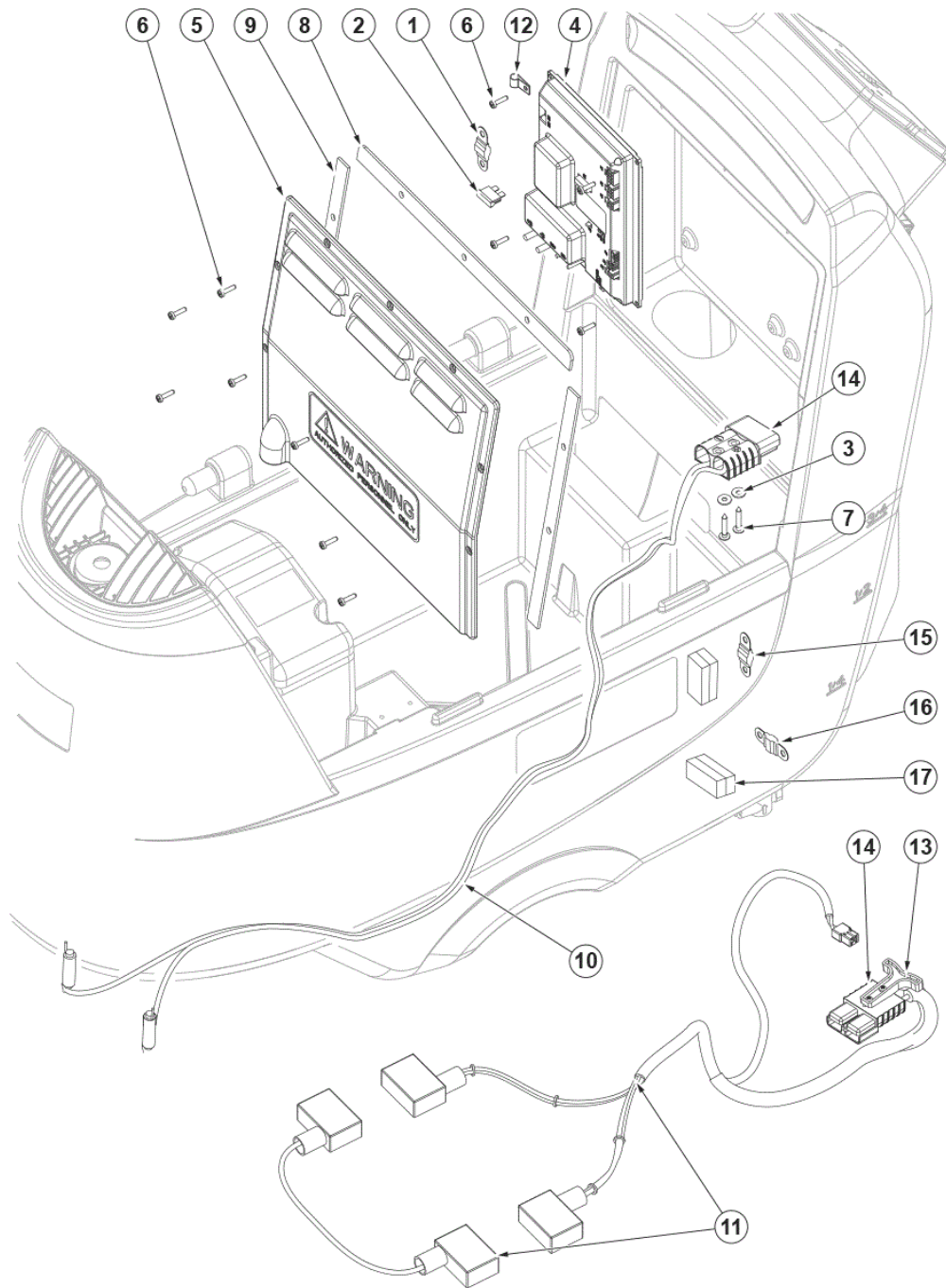
- [1] - ONLY FOR SC500
- [2] - ONLY FOR SC2000 - SCRUBTEC R253 - RA40
- [3] - OPTIONAL
- [4] - NOT SHOWN - Pos. 1-2-3-4-7-12-14-15-18-19-20-22



Pos.	Product no	QTY	Description	Notes
2	910000797	1	HOSES BRUSH DECK KIT	
18	910000868	1	VIBRATION DAMPING M8 60SH 2 PCS SET	
19	910000869	1	COVER F SOLUTION HOSE SUPPORT PLAST. SIP	
20	910000870	1	SOLENOID VALVE 24V SIP	
21	910000871	1	HUB BRUSH SIP	[1]
22	910000872	1	PLATE BRUSH DECK HOLDER SIP	
23	910000873	1	DECK BRUSH 530MM/21 PLAST. SIP	
25	910000874	1	REDUCTION GEARMOTOR 450W 24V SIP	
26	9098376000	1	CARBON BRUSH 4 PCS SET	
36	L08812780	1	PLATE FIXING BRUSH KIT	
41	910000875	1	KEY 5X5X30 DIN6885 2 PCS SET	
K1	909 6887 000	1	ROLLER BUMPER KIT	[2]
K2	910000750	1	DECK BRUSH ADJUST. KIT	[3]
K3	910000751	1	HARDWARE BRUSH DECK KIT	[4]
K4	9097093000	1	HOLDER POLYGONAL KIT	[5]

Part Notes:

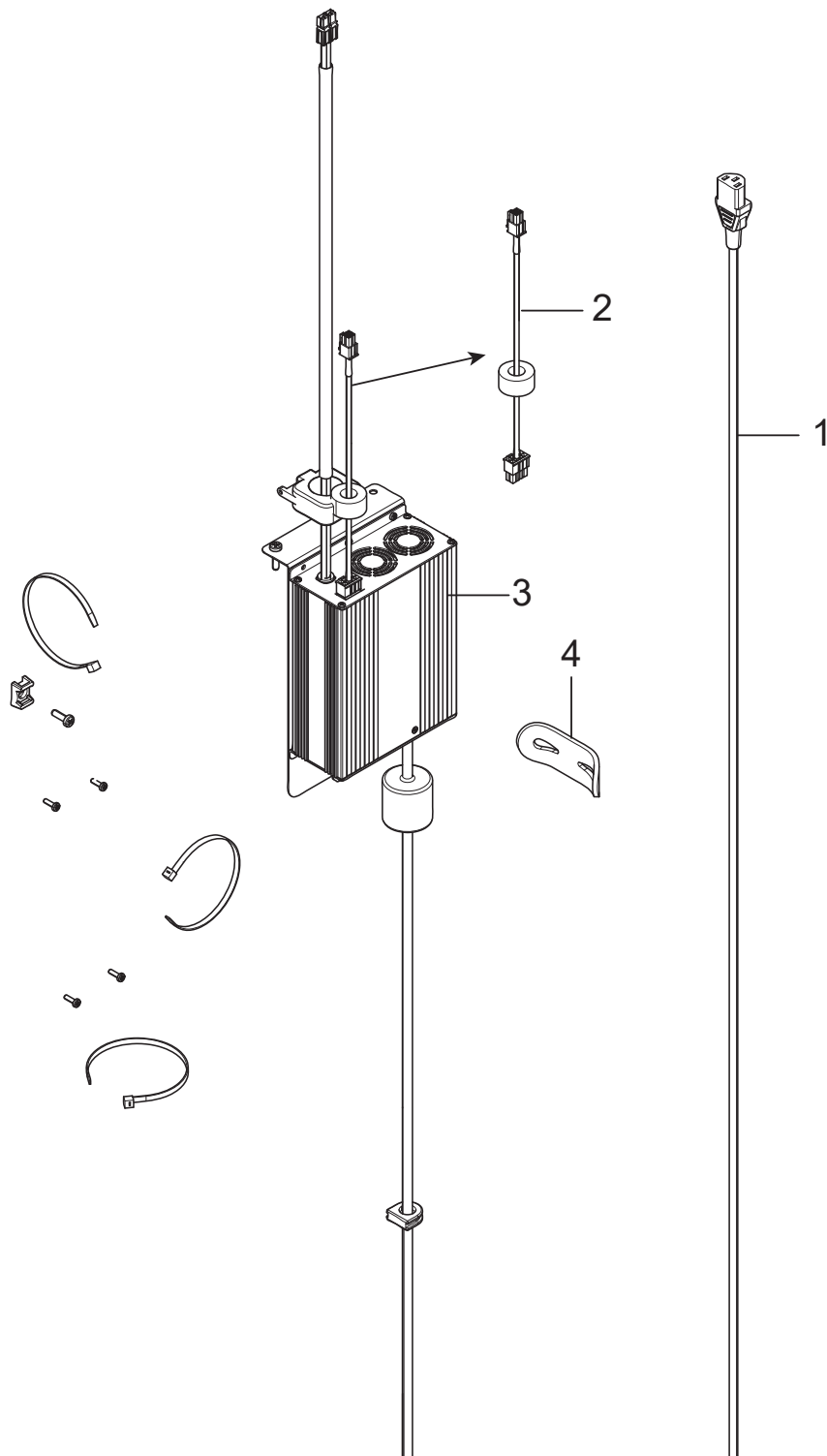
- [1] - TSB-FC-2019-037 brush hub SC500_SC2000_SC401
DE TSB-FC-2019-037 SC500 SC2000 SC401 Bürstenaufnahme
- [2] - NOT SHOWN - Pos. 4-28-30-35-37-38
- [3] - NOT SHOWN - Pos. 1-9-14-16-29-31-32-34-36-39-41
- [4] - NOT SHOWN - Pos. 3-5-6-7-8-10-11-12-13-15-17-24-27-33-40
- [5] - TSB-FC-2019-037 brush hub SC500_SC2000
DE TSB-FC-2019-037 SC500 SC2000 Bürstenaufnahme



Pos.	Product no	QTY	Description	Notes
1	9100000877	1	FUSE MIDIFUSE 100A SIP	
2	9100000878	1	FUSE BLADE 3A SIP	
4	9100000879	1	CONTROLLER MAIN MACHINE SIP	
5	9100000880	1	COVER BOX ELECTRIC COMP. SIP	
10	9100002232	1	HARNESS MACHINE SC500 SIP	[1]
10	9100001863	1	HARNESS MACHINE SC500 20R B SIP	[2]
11	9100001955	1	HARNESS BATTERY EU KIT	
13	9100000885	1	HANDLE F BATTERY CONNECTOR SIP	
14	9100002117	2	CONNECTOR 120A RED SIP	
15	9100002233	1	FUSE BOLT DOWN 30A SIP	
16	9100002234	1	FUSE BOLT DOWN 50A SIP	
17	9100002235	2	HOLDER FUSE SIP	
K1	9100000798	1	GASKETS COVER KIT	[3]
K2	9100000799	1	HARDWARE ELECT. COMPONENTS KIT	[4]

Part Notes:

- [1] - FOR ALL VERSION - (Note only for REV version) STARTING FROMS/N 3510163605524
- [2] - SEE PI 2017-002
Harness only for REV version - UntilS/N 3510163605523
- [3] - Pos. 8-9
- [4] - Pos. 3-6-7-12



Pos.	Product no	QTY	Description	Notes
	9099995000	1	CHARGER BATT. O/B 24V 13A 100-230V KIT	[1]
	9100001710	1	CHARGER BATT O/B JP 24V 13A 100-240V KIT	[2]
1	1466318000	1	CABLE EXTENSION UK PLUG L.2000MM SIP	
1	9100000787	1	CABLE EXTENSION EU PLUG L.2000MM SIP	
1	1467891000	1	CABLE EXTENSION SWISS PLUG L.2000MM SIP	
1		1	Input cable extention: 3x0.75mmq IEC-JAPAN L=2000mm	
2	9100002960	1	CHARGER BATT. OUTPUT AUX. CABLE SIP	[3]
3	9100000888	1	CHARGER BATT. O/B 24V 13A 100-230V SIP	[4]
4	9100000829	1	BAND ELASTIC F EXTENSION CABLE SIP	

Part Notes:

[1] - NOT SHOWN - OPTIONAL - INST. INSTR. 9100000924- Pos. 1-2-3-4-5-6-7-8

TSB-FC-2019-006 Batt level display SC500_SC2000

DE TSB-FC-2019-006 SC500 SC2000 Batteriekapazitätsanzeige

SEE TSB-FC-2016-010

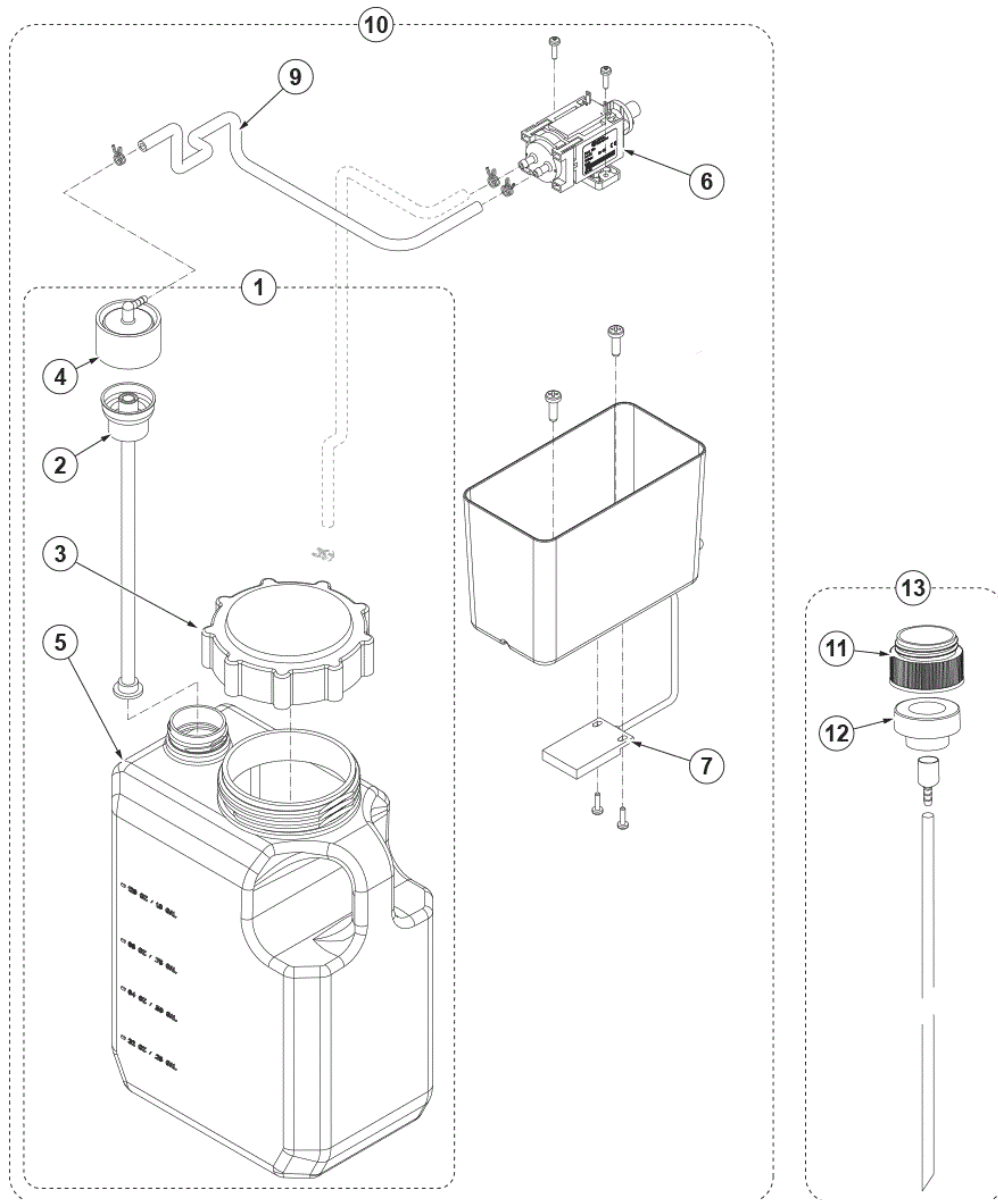
[2] - 9100001712 Installation Instruction for KIT 9100001710

[3] - TSB-FC-2019-006 Batt level display SC500_SC2000

DE TSB-FC-2019-006 SC500 SC2000 Batteriekapazitätsanzeige

[4] - SEE TSB-FC-2016-010

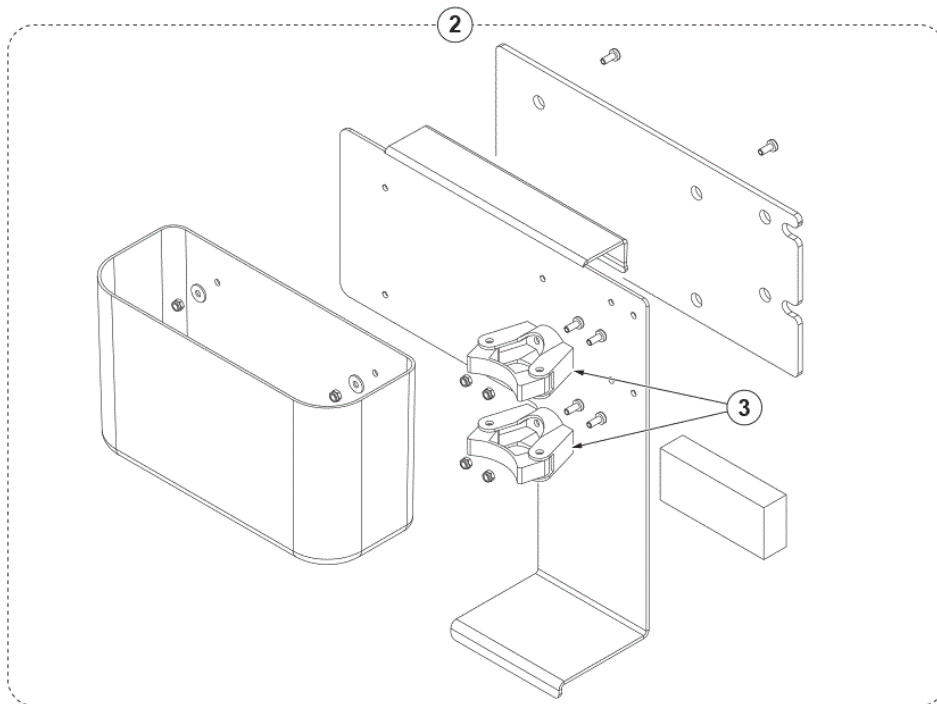
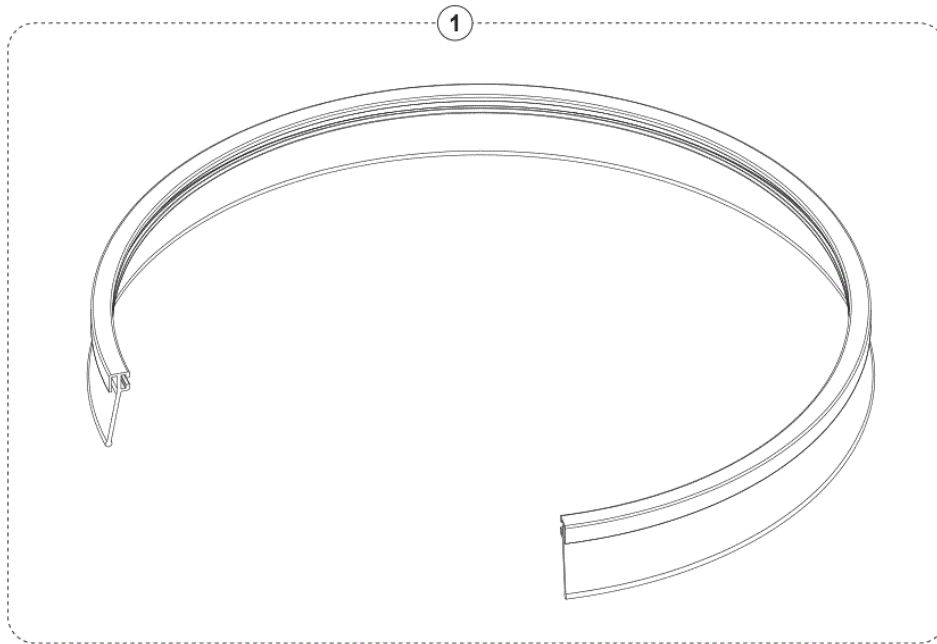
TSB-FC-2019-006 Batt level display SC500_SC2000



Pos.	Product no	QTY	Description	Notes
1	56104190	1	ECOFLEX BOTTLE ASSY	[1]
2	56104189	1	INSERT-DRY BRAKE	
3	9100001817	1	CAP PLASTIC F DETERGENT SOLU. TANK SIP	
4	56315523	1	CAP DRY BREAK 1/8 BARB	
5	9100001081	1	TANK DETERGENT SOLUTION PLASTIC SIP	
6	9100001819	1	PUMP DETERGENT SOLUTION KIT	
7	9100000893	1	SENSOR WATER LEVEL SIP	
9	9100000891		HOSE SILICONE D.4X7 L.300MM SIP	
10	9100000008	1	ECOFLEX DETERGENT SOLUTION SC500 KIT	[2]
11	9097023000	1	ADAPTER DETERGENT SOLUTION TANK	
12	9097022000	1	SENSOR LEVEL F DETERGENT SOLUTION	
13	9098025000	1	ADAPTER DETERGENT SOLUTION KIT	[3]

Part Notes:

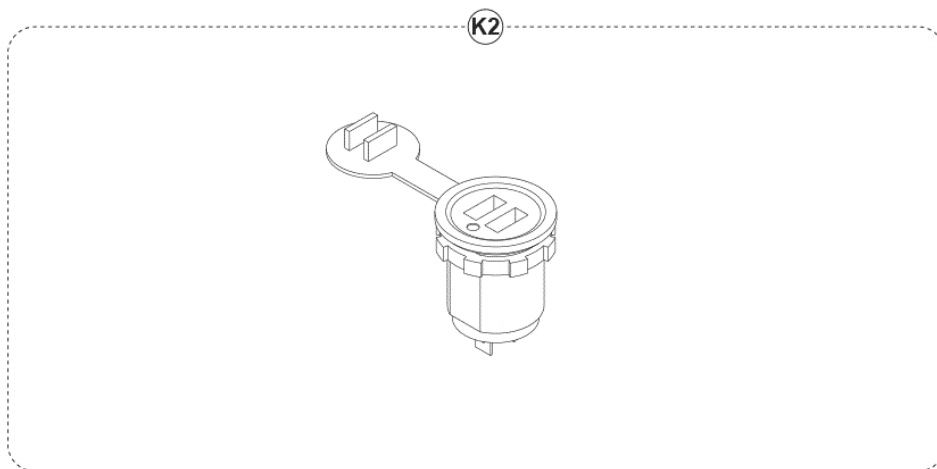
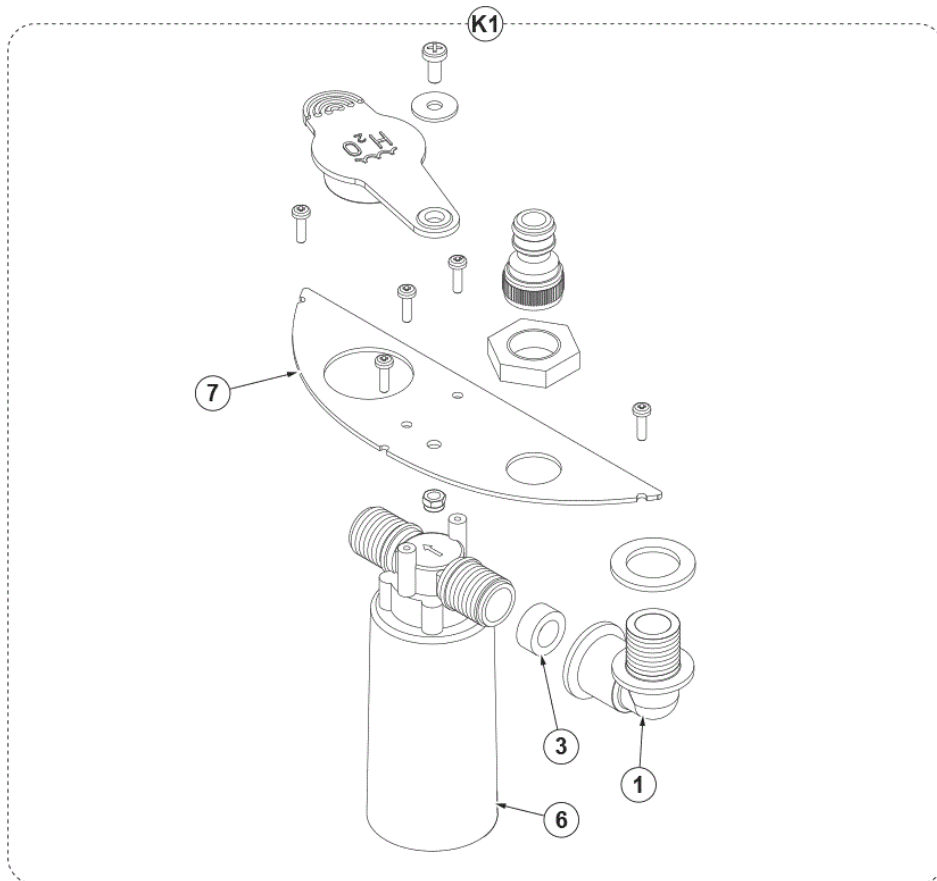
- [1] - COMPLETE ASSY WITH POS 2-3-4
- [2] - PRUNED ACCESSORY
OPTIONAL - SEE INST. INST. 9100000923
- [3] - OPTIONAL - POS. 11-12



Pos.	Product no	QTY	Description	Notes
1	9100001441	1	SPLASH GUARD BRISTLE 510MM 20 KIT	[1]
2	9100002280	1	MOP AND TRASH KIT	[2]
3	9100001369	2	MOP KIT	

Part Notes:

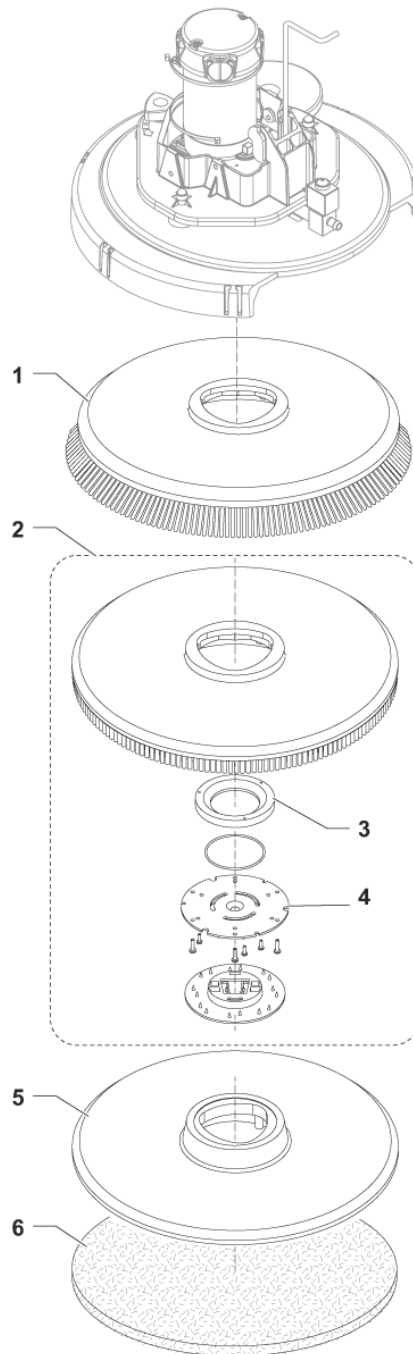
- [1] - OPTIONAL
- [2] - OPTIONAL - SEE INST. INSTR. 9100002279



Pos.	Product no	QTY	Description	Notes
1	9100000894	1	ELBOW CURVED M/F SIP	
3	9100000622	1	GASKET RUBBER D.11.5X19X5 BLACK SIP	
6	9100000897	1	VALVE WATER STOP SIP	
7	9100000898	1	SUPPORT WATER STOP SIP	
K1	9100000005	1	AUTOMATIC WATER FILLING KIT	[1]
K2	9100002403	1	USB PORT KIT SC500	[2]

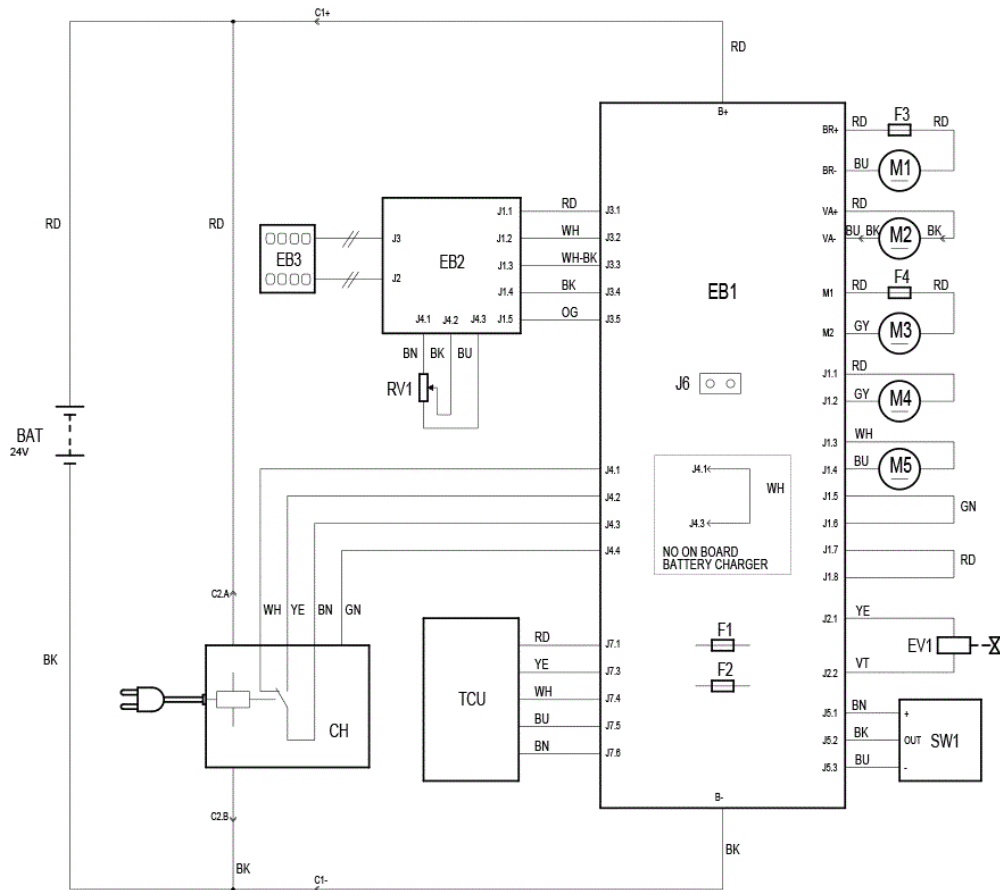
Part Notes:

- [1] - OPTIONAL - POS. 1-2-3-4-5-6-7-8
- [2] - OPTIONAL - SEE INST. INTR. 9100002406 - Models No.: 9087400020, 9087401020, 9087402020



Resource notes:
OPTIONALS

Pos.	Product no	QTY	Description	Notes
1	L08837025	1	BRUSH DISC 530MM 21 PROLENE BLUE	
1	L08837026	1	BRUSH DISC 530MM 21 PROLITE BLUE	
1	L08837027	1	BRUSH DISC 530MM 21 UNION MIX	
1	L08837028	1	BRUSH DISC 530MM 21 GRIT 180 GREY	
1	L08837029	1	BRUSH DISC 530MM 21 MID GRIT 240	
1	L08837065	1	BRUSH DISC 530MM 21 MAGNA GRIT 46	
1	L08837066	1	BRUSH DISC 530MM 21 DYNA GRIT 80	
1	L08837067	1	BRUSH DISC 530MM 21 AGLITE GRIT 500	
2	L08837018	1	PAD HOLDER BRISTLE 20 510MM CPL	
3	L08603966	1	RING NYLON	
4	56505195	1	PAD RETAINER	
5	9099671000	1	PAD HOLDER FLAT 20 508MM	
6	10001955	1	PAD 20 508MM ECO BLACK 5PCS	
6	10001956	1	PAD 20 508MM ECO BLUE 5PCS	
6	10001957	1	PAD 20 508MM ECO BROWN 5PCS	
6	10001958	1	PAD 20 508MM ECO GREEN 5PCS	
6	10001959	1	PAD 20 508MM ECO RED 5PCS	
6	10001960	1	PAD 20 508MM ECO WHITE 5PCS	
6	10002348	1	PAD 20 508MM ECO BRILLIANCE RED 2PCS	
6	10002349	1	PAD 20 508MM ECO BRILLIANCE BLUE 2PCS	
6	10002350	1	PAD 20 508MM ECO BRILLIANCE YELLOW 2PCS	
6	10002351	1	PAD 20 508MM ECO BRILLIANCE GREEN 2PCS	



Pos.	Product no	QTY	Description	Notes
C1	9100002117		CONNECTOR 120A RED SIP	
CH	9100000888		CHARGER BATT. O/B 24V 13A 100-230V SIP	
EB1	9100000879		CONTROLLER MAIN MACHINE SIP	
EB2	9100000842		CARD DISPLAY SIP	
EB3	9100000846		DASHBOARD CONTROL PANEL SIP	[1]
EB3	9100000847		DASHBOARD CONTROL PANEL SIP	[2]
EV1	9100000870		SOLENOID VALVE 24V SIP	
F1	9100000877		FUSE MIDIFUSE 100A SIP	
F2	9100000878		FUSE BLADE 3A SIP	
F3	9100002233		FUSE BOLT DOWN 30A SIP	
F4	9100002233		FUSE BOLT DOWN 30A SIP	
M1	9100000874		REDUCTION GEARMOTOR 450W 24V SIP	[1]
M1	9100001860		MOTOR ELECTRIC 350W 24V SIP	[2]
M2	9100000823		MOTOR VACUUM 24V 280W SIP	
M3	9100000921		MOTOR ELECTRIC 200W 24V	[3]
M3	9100002349		MOTOR ELECTRIC 200W 24V KIT	[4]
M4	9100001819		PUMP DETERGENT SOLUTION KIT	
M5	9100000805		ACTUATOR LINEAR 24V DC STRK 120MM SIP	[1]
M5	9100000806		ACTUATOR LINEAR 24V DC STRK 98MM SIP	[2]
RV1	9100000837		POTENTIOMETER 5K WIRED SIP	
SW1	9100000893		SENSOR WATER LEVEL SIP	

Part Notes:

- [1] - FOR DISC VERSION
- [2] - FORREV VERSION
- [3] - US Version
- [4] - EU version

PL RECOMMENDED SPARE PARTS

SC500 53 B NIL

2017.11.02

2018.02.27

Pos.	Product no	QTY	Description	Notes
NW	910000829	1	BAND ELASTIC F EXTENSION CABLE SIP	
NW	910000810	1	BLADES SQUEE. 700MM 28 GUM RUBBER KIT	
NW	910000490	1	BLADES SQUEEGEE 700MM 28 PU KIT	
NW	910000060	1	BLADES SQUEEGEE 700MM 28 RED GUM KIT	
NW	910000920	1	CARBON BRUSHES W/HOLDER KIT	
NW	9098376000	1	CARBON BRUSH 4 PCS SET	[1]
OM	9100000794	1	CABLE SAFETY F TANK KIT	
OM	9100000812	1	HOSE DRAIN BLACK L.876MM SIP	
OM	9100000889	1	CLIP HOSE STOPPING 2 PCS SET	
OM	9100000816	1	HOSE SUCTION SQUE. 90 BLACK L.1000MM SIP	
OM	9100000904	1	MOTOR VACUUM 24V 280W CPL KIT	
OM	9100000819	1	GASKET BULB RUBBER L.1670MM SIP	
OM	9100000823	1	MOTOR VACUUM 24V 280W SIP	
OM	9100000739	1	GASKETS VACUUM MOTOR KIT	
OM	9100002349	1	MOTOR ELECTRIC 200W 24V KIT	
OM	9100000830	1	WHEEL D.200X50 GREY-BLACK 2 PCS SET	
OM	9100000843	1	OPERATOR KEY	
OM	9100000902	2	BEARING FLANGE IGLIDUR 2 PCS SET	
OM	9100000855	1	SPRING GAS 30 KG SIP	
OM	9100000856	1	WHEEL CASTOR D.80X32 GALV. 2 PCS SET	
OM	9100002396	1	SLEEVE RUBBER BLACK F SUCTION HOSE SIP	
OM	9100000903	1	WASHER THRUST GTM 3254-015 SIP	
OM	9100000796	1	HOSES SOLUTION SYSTEM KIT	
OM	9100000861	1	NET WATER FILTER REINFORCED SIP	
OM	9100000559	3	WHEEL D.51 GREY SIP	
OM	9100000864	1	STRAP REAR ELASTIC F SQUEE. 700MM 28 SIP	
OM	9100000865	1	STRAP FRONT PLAST. F SQUEE. 700MM 28 SIP	
OM	9100001816	1	WHEEL BUMPER D.100 PLASTIC 2 PCS SET	
OM	9100000797	1	HOSES BRUSH DECK KIT	
OM	9100000870	1	SOLENOID VALVE 24V SIP	
OM	9100000871	1	HUB BRUSH SIP	
OM	9100000874	1	REDUCTION GEARMOTOR 450W 24V SIP	[1]
OM	9100001860	1	MOTOR ELECTRIC 350W 24V SIP	[2]
OM	9100001283	1	CARBON BRUSHES W/HOLDER SIP	[2]
OM	L08603949	1	CARBON BRUSH 4 PCS SET	[2]
OM	9100000901	1	GASKET ADHESIVE 12X5 L.1090MM SIP	[2]
OM	9100000798	1	GASKETS COVER KIT	
EOM	9100000803	1	VALVE ELBOW SIP	
EOM	9098446000	1	HOSE SOLUTION	
EOM	909 6380 000	1	CLAMP KIT	
EOM	9100000899	1	FILTER WATER INLET SIP	
EOM	9100000805	1	ACTUATOR LINEAR 24V DC STRK 120MM SIP	[3]
EOM	9100000806	1	ACTUATOR LINEAR 24V DC STRK 98MM SIP	[2]
EOM	9100000808	1	RUBBER SOLUTION CAP SIP	
EOM	9100000703	1	HOSE FILLING SIP	
EOM	9100000827	1	MOTOR DRIVE 200W 24V KIT	
EOM	9100000820	1	HARNESS VACUUM MOTOR SIP	
EOM	9100001875	1	SUPPORT FLOAT KIT	
EOM	9100000837	1	POTENTIOMETER 5K WIRED SIP	
EOM	9100000842	1	CARD DISPLAY SIP	
EOM	9100000845	1	HARNESS CONTROL PANEL SIP	
EOM	9100000846	1	DASHBOARD CONTROL PANEL SIP	
EOM	9100000847	1	DASHBOARD CONTROL PANEL SIP	
EOM	9100000848	1	SUPERUSER KEY	
EOM	9100000860	1	FILTER WATER SIP	
EOM	9100000747	1	SQUEEGEE 700MM 28 PLAST. PRE-ASSEMB. SIP	
EOM	9100000868	1	VIBRATION DAMPING M8 60SH 2 PCS SET	[2]
EOM	9100000873	1	DECK BRUSH 530MM/21 PLAST. SIP	[3]
EOM	56382991	1	KIT-ISOLATOR BOOST HD	[2]

PL RECOMMENDED SPARE PARTS

SC500 53 B NIL

2017.11.02

2018.02.27

Pos.	Product no	QTY	Description	Notes
EOM	9100000879	1	CONTROLLER MAIN MACHINE SIP	
EOM	9100002232	1	HARNES MACHINE SC500 SIP	
EOM	9100001863	1	HARNES MACHINE SC500 20R B SIP	[4]
EOM	9100002117	1	CONNECTOR 120A RED SIP	
EOM	9100000888	1	CHARGER BATT. O/B 24V 13A 100-230V SIP	
EOM	9100001819	1	PUMP DETERGENT SOLUTION KIT	
EOM	9100000893	1	SENSOR WATER LEVEL SIP	

Part Notes:

- [1] - FOR DISC VERSION
- [2] - FORREV VERSION
- [3] - FORDISC VERSION
- [4] - SEE PI 2017-002

