

PARTS LIST

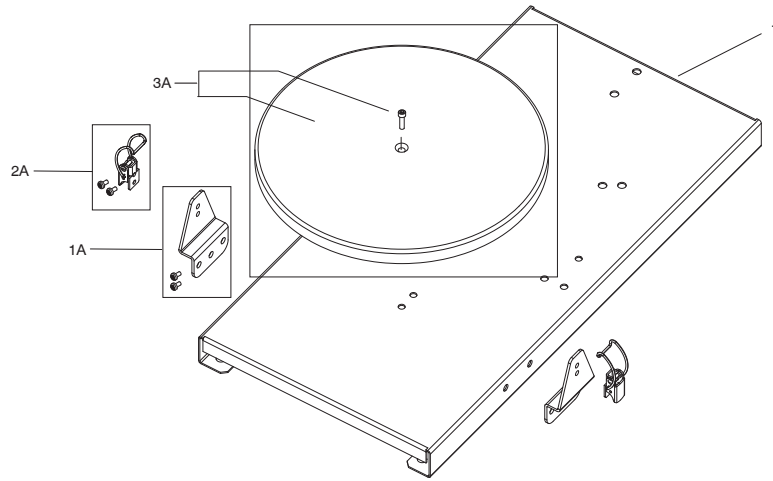
2021.02.21

www.nilfisk-cfm.com



TABLE OF CONTENTS

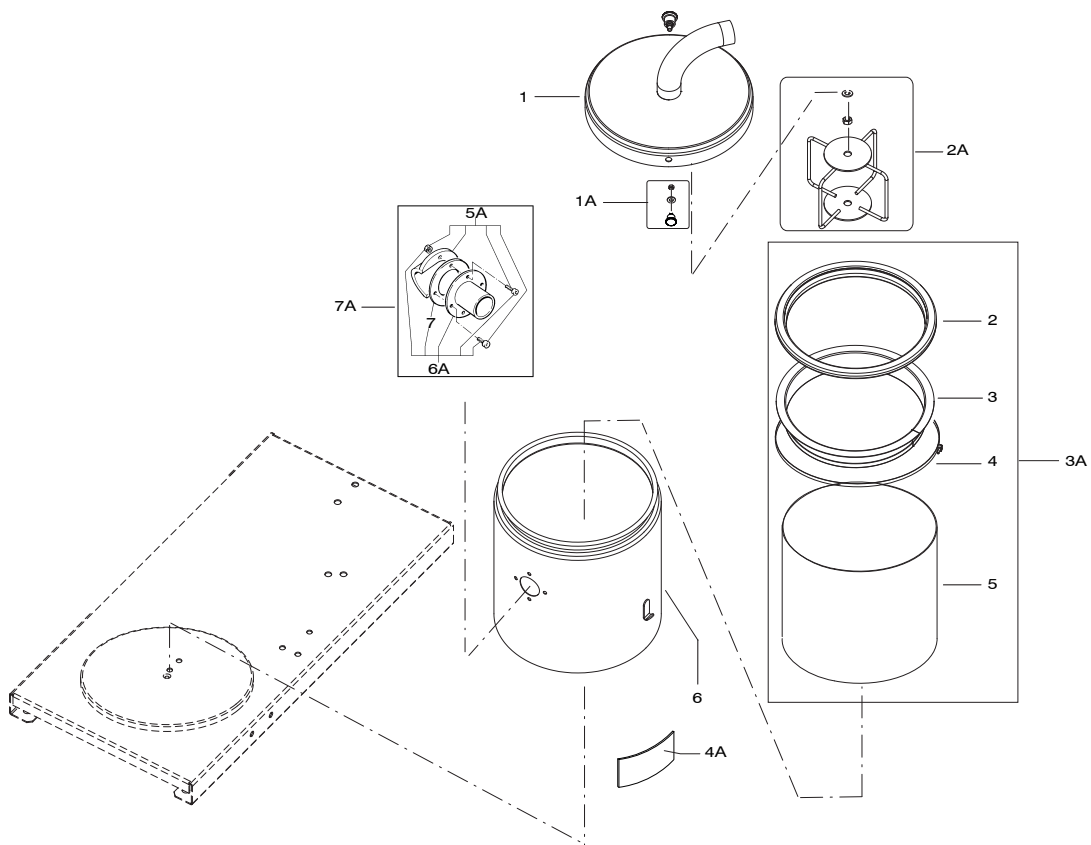
L222 - 1 - FRAME.....	1
L222 - 2 - CONTAINER UNIT.....	3
L222 - 3 - ABSOLUTE FILTER.....	5
L222 - 4 - SUCTION UNIT.....	7
L222 - 5 - ELECTRIC SYSTEM.....	9
L222 - 6 - ELECTRIC SYSTEM.....	11



Pos.	Product no	QTY	Description	Notes
1	4083600814	1	BASE HORIZONTAL VHW200-210 FE	
1A	4089100658	2	HOOK SUPPORT KIT VHW210	[1]
2A	4089100684	2	KIT LEVER LOCK FOR CONTAINER VHW SS	
3A	4089100704	1	KIT GUIDE BOTTOM D280 ZINC PLATED	

Part Notes:

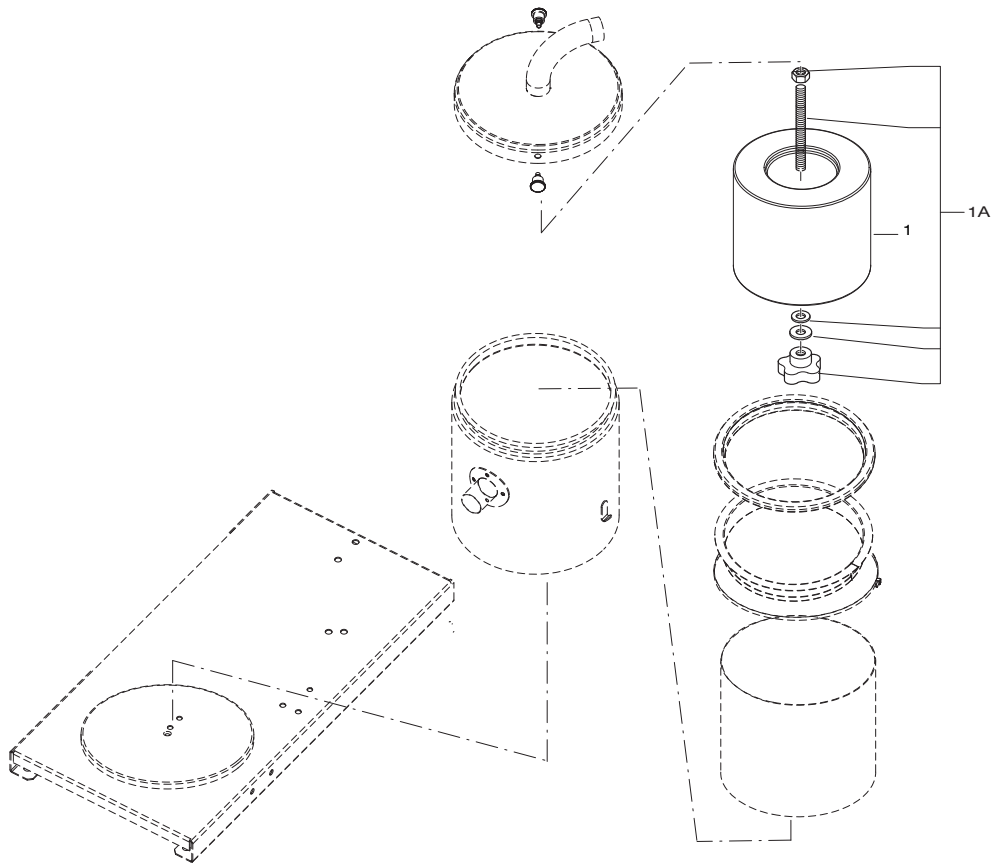
[1] - CONTACT PM IN ZOCCA



Pos.	Product no	QTY	Description	Notes
1	4083101401	1	LID D280 VHW R9003	
1	4083101402	1	LID D280 VHW SS	[1]
2	4081701122	1	FILTER RING GASKET D280 VHW	
2	4081701123	1	FILTER RING GASKET D280 VHW SILICONE	
3	4081500252	1	FILTER RING D280 VHW FE	
3	4081500253	1	FILTER RING D280 VHW SS	
4	Z8 18077	1	FILTER BLOCK TIE D280	
5	Z8 17034	1	BAG FILTER 280 POLYESTER	
6	4083000793	1	CONTAINER D280 VHW R9003	
6	4083000794	1	CONTAINER D280 VHW SS	
7	Z8 17004	1	INLET SEAL D40	
1A	4089100662	1	POSITIONING PISTON SPRING KIT VHW210	
2A	4089100663	1	KIT CAGE VHW210	
2A	4089100664	1	KIT CAGE SS VHW210	[1]
3A	4083300412	1	FILTER COM.D280 VHW	
3A	4083300413	1	FILTER COM.D280 VHW SS	[1]
4A	4089100680	1	LABELS KIT VHW	
5A	40000400	1	KIT DEFLECTOR D40 FE	
5A	40000402	1	KIT DEFLECTOR D40 INOX	[1]
6A	40000399	1	KIT INLET FE D40	[1]
6A	40000401	1	KIT INLET INOX D40	[1]
7A	40000385	1	KIT COMPLETE INLET FE D40	
7A	40000386	1	KIT COMPLETE INLET INOX D40	[1]

Part Notes:

[1] - CONTACT PM IN ZOCCA



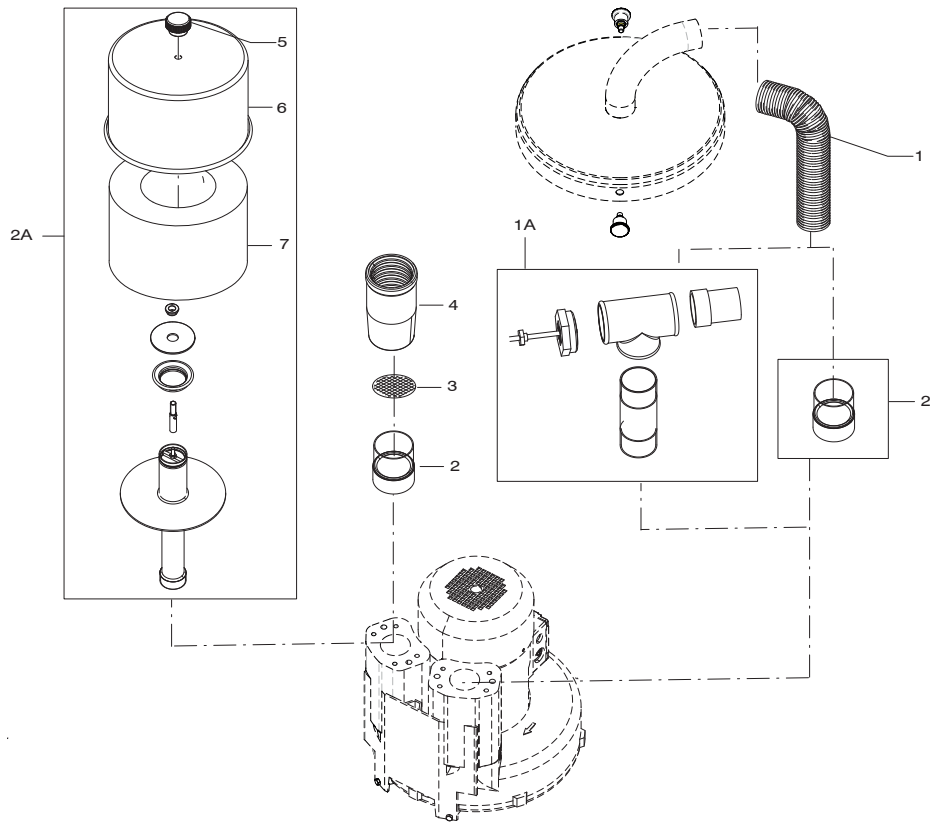
L222 - 3 - ABSOLUTE FILTER

VHW210

2017.11.02

2019.04.17

Pos.	Product no	QTY	Description	Notes
1	Z8 17262	1	ABSOLUTE FILTER D360 X 150 H14	
1A	4089100665	1	KIT UPSTREAM ABSOLUT FILT.VHW210	



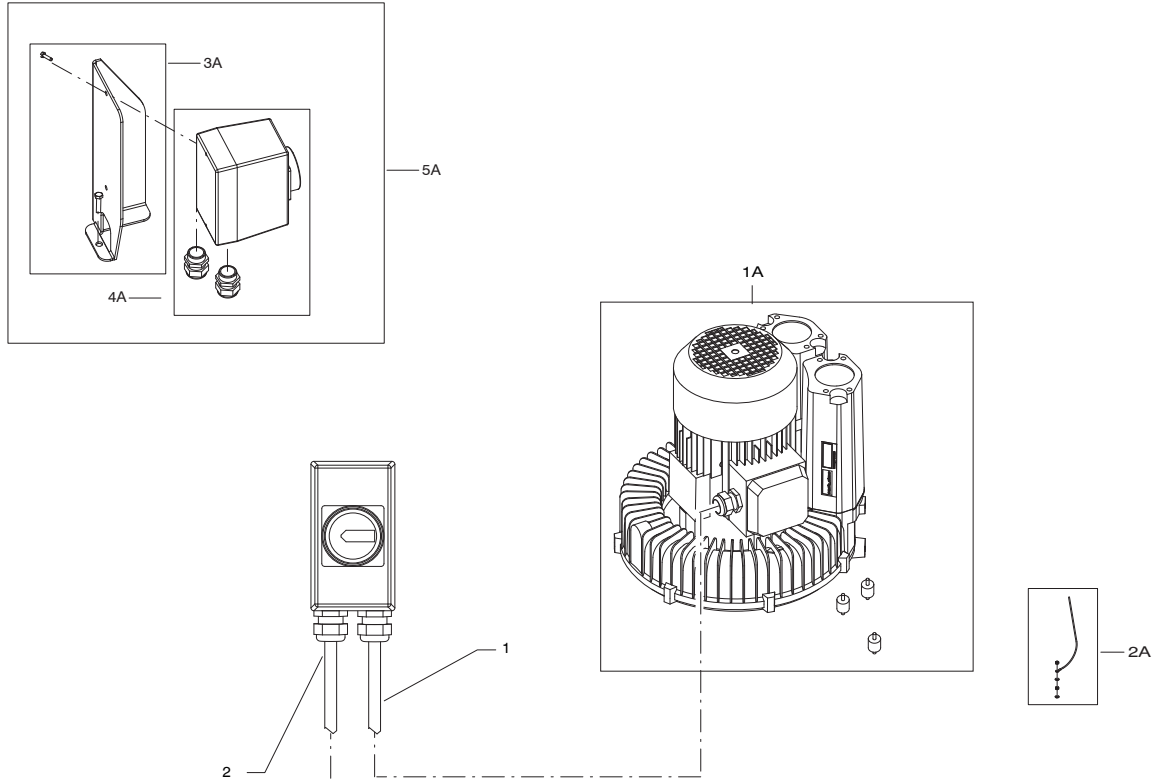
L222 - 4 - SUCTION UNIT

VHW210

2017.11.02

2019.04.17

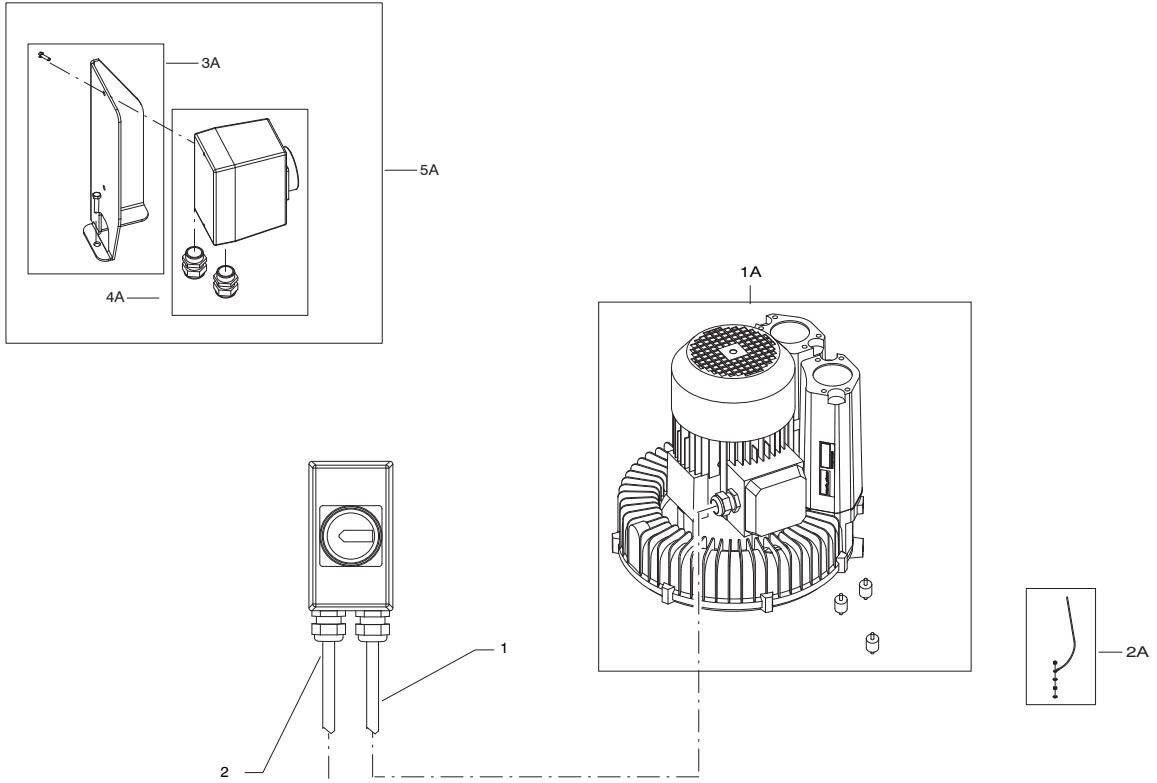
Pos.	Product no	QTY	Description	Notes
1	4089100703	1	HOSE KIT VHW	
2	Z58 32139	1	suction connection	
2	Z58 32139	1	CONNECTION VALVE 1 1/2-D40	
3	Z8 13064	1	NET D80 MESH 1.5X1.5	
4	Z7 20001	1	SLEEVE D40 RUBBER	
5	4084001146	1	KNOB D40 M10 DIFFUSER CONTAINER M.VHW	
6	4083000681	1	DIFFUSER CONTAINER D220X142 R9003 M.VHW	
7	Z8 17262	1	ABSOLUTE FILTER D360 X 150 H14	
1A	4056000464	1	KIT P.R.VALVE 1 1/2 M.3101	
2A	4089100682	1	ABSOLUTE FILTER KIT VHW210	



Pos.	Product no	QTY	Description	Notes
1	4083901473	1	CABLE CONN.MOT. 4G14AWG SOOW MOD.T26-48N	[1]
2	4083901528	1	CABLE SUP. 4G18AWG SOOW MOD.311N4-N7	
1A	4089100661	1	SUCTION UNIT KIT VHW210	
1A	4089100748	1	SUCTION UNIT KIT VHW210 N5	
1A	4089100749	1	SUCTION UNIT KIT VHW210 N7	[1]
2A	40000877	1	GROUND CABLE KIT	[1]
3A	4089100674	1	E.B. SUPPORT PLATE KIT VHW IP65	
4A	4089100741	1	E.B. KIT VHW211 N4	[1]
4A	4089100539	1	ELECTRIC BOX KIT VHW420 V460	
5A	4089100750	1	E.B. KIT COMPLETE VHW210 N4	[1]
5A	4089100751	1	E.B. KIT COMPLETE VHW210 N5	[1]

Part Notes:

[1] - CONTACT PM IN ZOCCA



Pos.	Product no	QTY	Description	Notes
1	4083901564	1	CABLE 3G2.5 SIL. AL M	
2	Z8 39825	1	CABLE SUP. 3G2.5 FROR 6M MOD.3151MT	[1]
1A	4089100668	1	SUCTION UNIT KIT VHW210 SINGLE-PHASE	
2A	40000877	1	GROUND CABLE KIT	[1]
3A	4089100666	1	E.B. SUPPORT PLATE KIT VHW210	[1]
4A	4089100669	1	E.B. KIT VHW210 M	[1]
5A	4089100667	1	E.B. KIT COMPLETE VHW210 M	[1]

Part Notes:

[1] - CONTACT PM IN ZOCCA

