

PARTS LIST

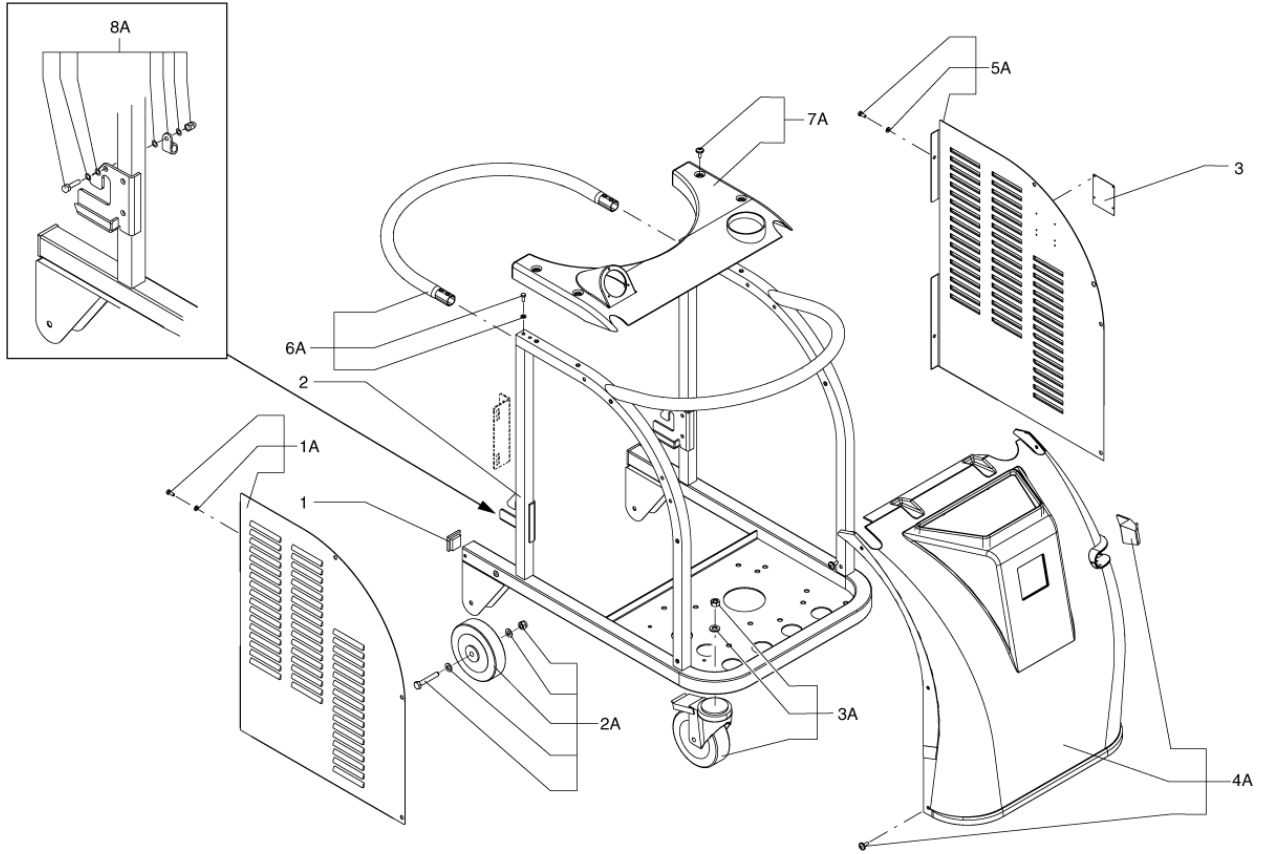
2020.07.01

www.nilfisk-cfm.com

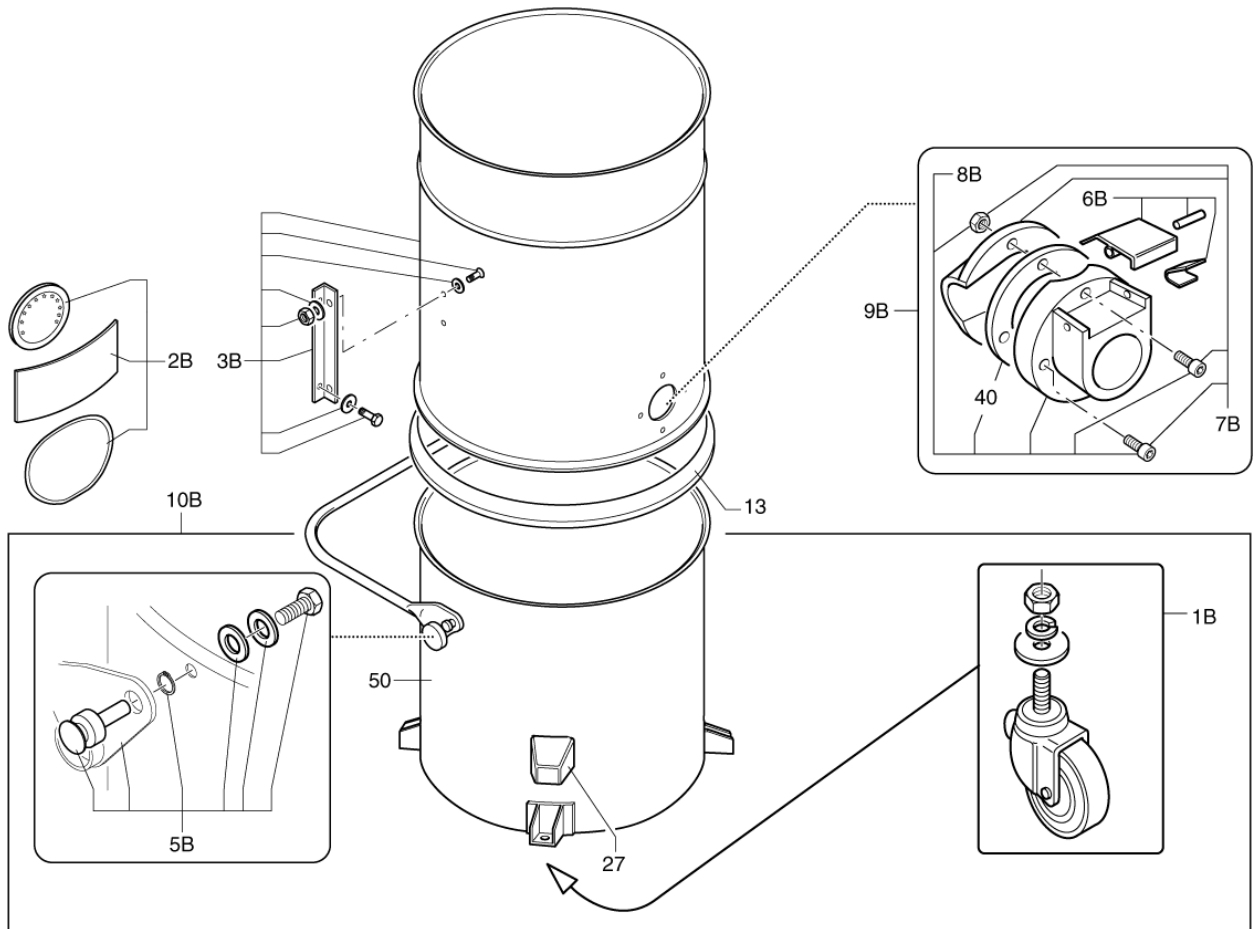


TABLE OF CONTENTS

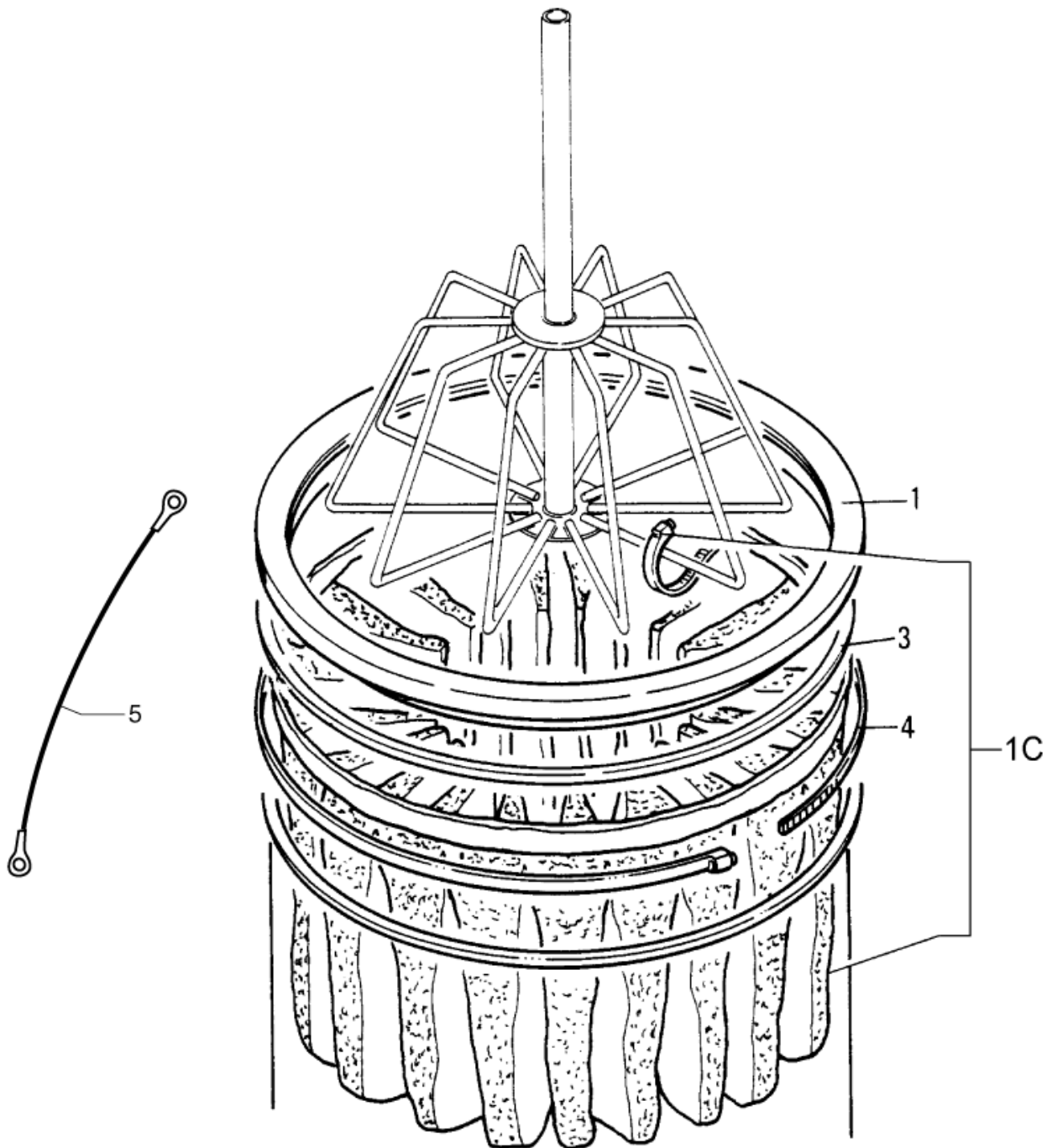
L129 - 01 - CAR.....	1
L129 - 02 - CONTAINER UNIT.....	3
L129 - 03 - FILTER GROUP.....	5
L129 - 04 - SHAKER UNIT.....	7
L129 - 05 - SUCTION UNIT.....	9
L129 - 06 - ELECTRIC BOARD.....	11
L129 - 07 - L/M/H & ATEX LABEL.....	13



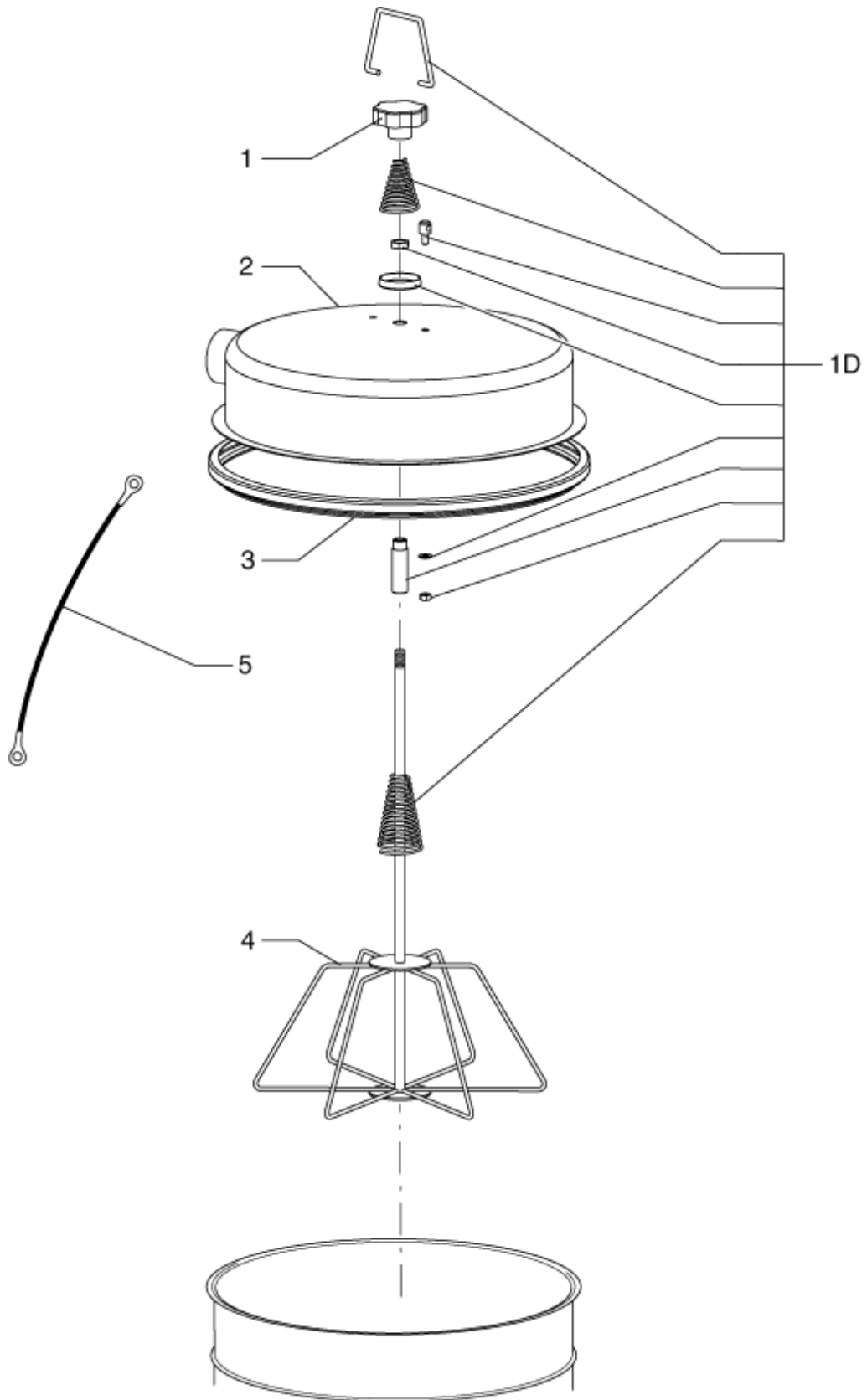
Pos.	Product no	QTY	Description	Notes
01	Z8 40035	2	SQUARE PLUG 40 x 40 PVC	
01A	40000708	1	LEFT PANEL KIT	
02	Z8 36520	1	TROLLEY M. CTS RAL 7016	
02A	40000406	1	KIT FIX ANTISTATIC CASTOR ATEX D150	
03	Z8 17015	1	3-PHASE PLATE ALUMINIUM	
03A	40000405	1	KIT ANTIST. REVOLV. CASTOR ATEX D150	
04A	40000709	1	COVER KIT	
05A	40000710	1	RIGHT PANEL KIT	
06A	40000711	1	HANDLE KIT	
07A	40000712	1	UPPER COVER KIT	
08A	40000727	1	CONTAINER EARTHING KIT	



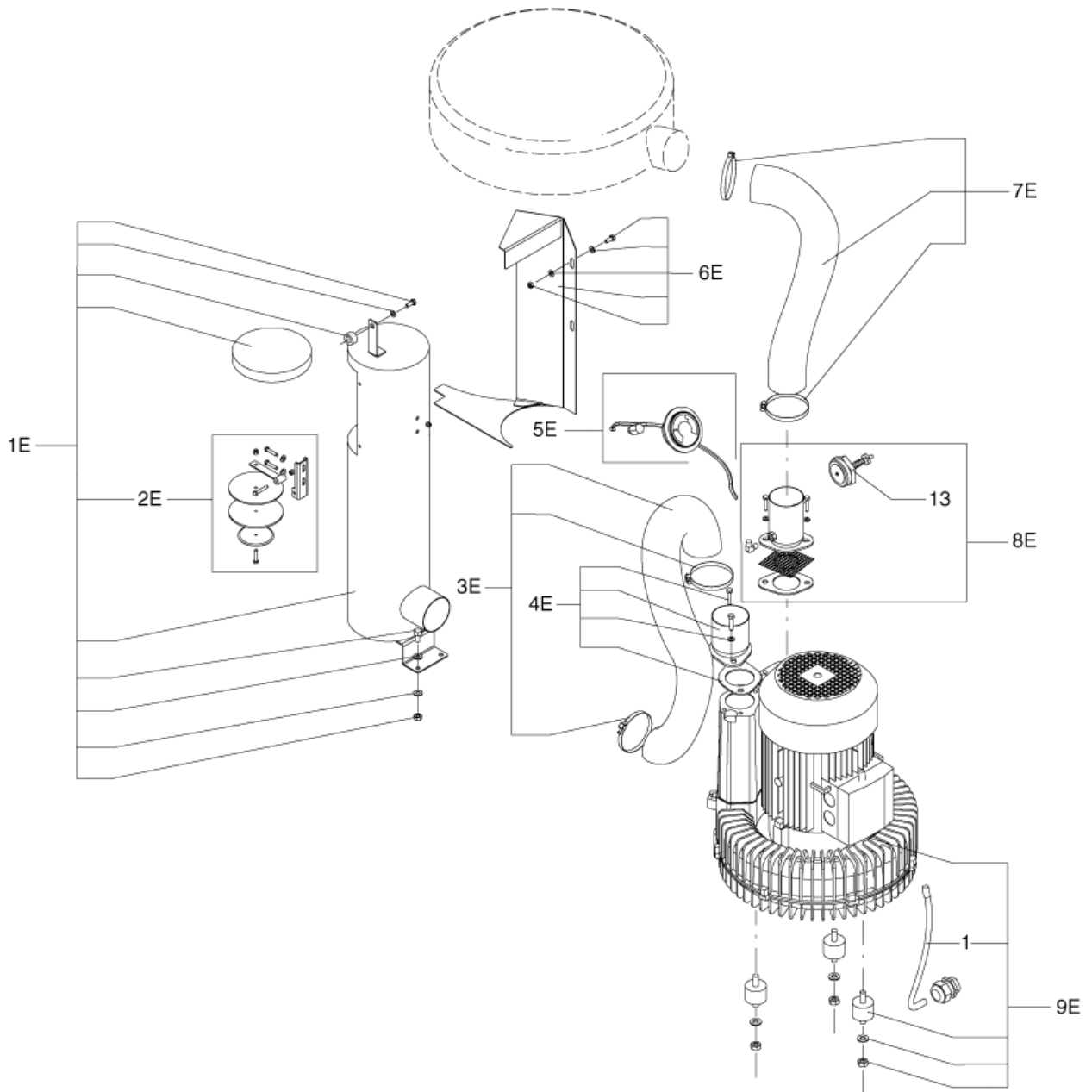
Pos.	Product no	QTY	Description	Notes
01B	40000419	1	KIT CASTORS FOR CONTAINER	
02B	40000854	1	CTS Z22 STICKER KIT	
03B	40000714	1	LATERAL PROTECTION KIT	
05B	40000713	1	RELEASE LEVER KIT	
06B	40000345	1	KIT PUSHBUTTON FOR INLET D70	
07B	40000416	1	KIT DEFLECTOR D70 INOX MOD.A17	
08B	40000344	1	KIT INLET INOX D70	
08B	4089100929	1	KIT INLET+ADAPTER D70 FOR ATEX COMPLETE	
09B	40000418	1	KIT COMPLETE INLET D70 SS MOD. A17	
10B	4083000418	1	BIN D460 COMP.M. CTSC TT SS	
13	40000762	1	SEAL	
27	Z8 17021	4	BUMPER WHEEL HOLDER	
40	Z8 17006	1	INLET SEAL D70	
50	4083000386	1	SS CONTAINER D460 L50 MODELS	



Pos.	Product no	QTY	Description	Notes
01	Z8 17026	1	FILTER SEAL D460 BLACK	
01C	40000425	1	KIT ANTISTATIC STAR FILTER D460	
03	Z8 15003	1	FILTER HOLDER RING D460 FE	
04	4081801387	1	FILTER BLOCK TIE D460 SS AISI304	
04	Z8 18079	1	FILTER BLOCK TIE D460	
05	Z8 39669	1	CABLE EARTH MM 700	



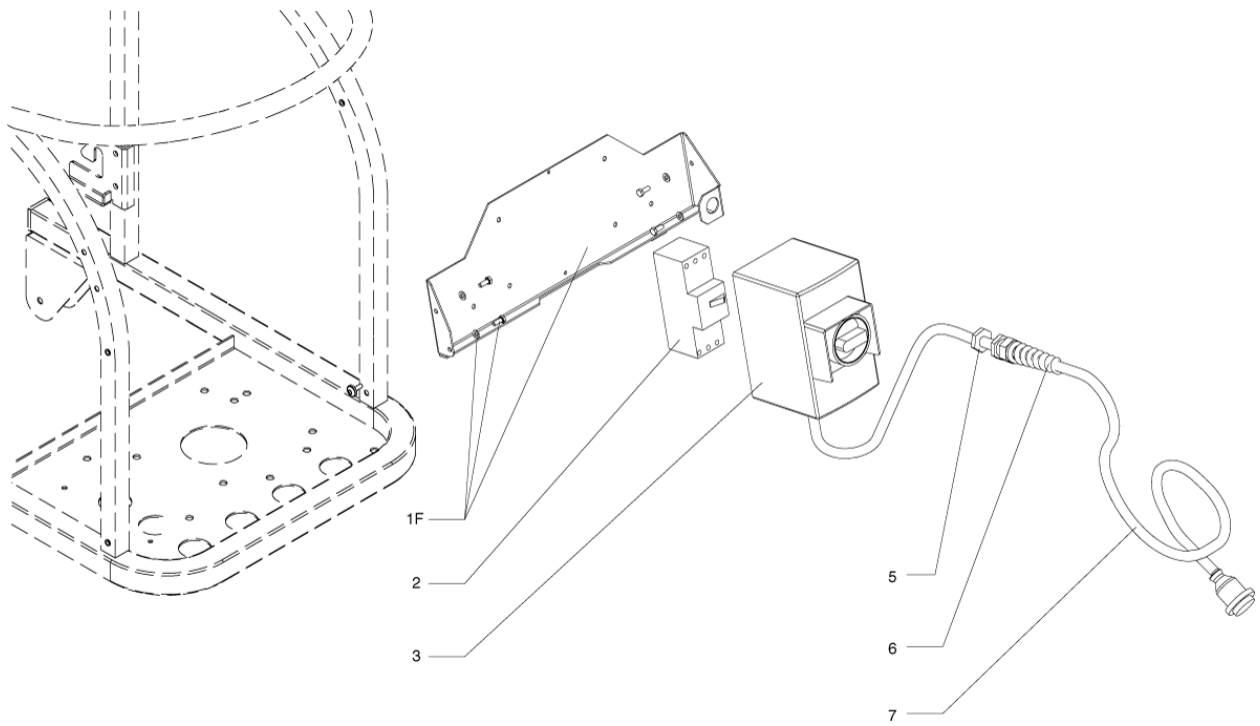
Pos.	Product no	QTY	Description	Notes
01	Z8 40027	1	KNOB D70 M12 NO HOLE	
01D	40000313	1	KIT FILTER SHAKER FE	
02	Z8 31643	1	COVER D460 M.SOL RAL7001	
03	Z8 36191	1	BAND LOCK D.460	
04	Z8 33324	1	STAR CAGE D460 FE x SOL	
05	Z8 39669	1	CABLE EARTH MM 700	



Pos.	Product no	QTY	Description	Notes
01	Z8 391079	1	CABLE CONN.MOT. 4G2.5 SIL. MOD.3508-T40	
01E	40000731	1	COMPLETE SILENCER KIT	
02E	40000721	1	CLAPPET KIT FOR SILENCER	
03E	40000729	1	EXHAUST HOSE KIT	
04E	40000556	1	KIT BLOWING CONNECTION D70	
05E	40000309	1	KIT VACUUM GAUGE 3500	[1]
05E	40000555	1	KIT VACUUM GAUGE 3000	[2]
06E	40000718	1	CONVEYOR KIT FOR SILENCER	
07E	40000730	1	SUCTION HOSE KIT	
08E	40000724	1	D70 SUCTION CONNECTION KIT WITH RELIEF	
09E	40000728	1	SUCTION UNIT KIT	[2]
09E	40000722	1	SUCTION UNIT KIT	[3]
13	Z8 34024	1	RELIEF VALVE 1 1/2	

Part Notes:

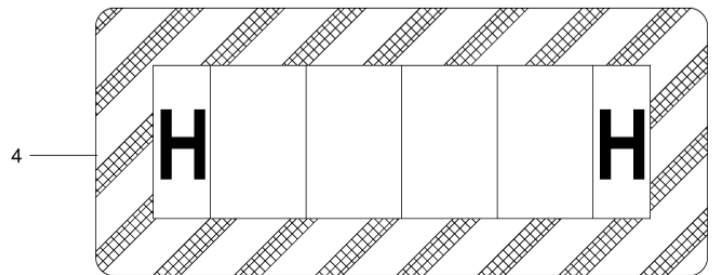
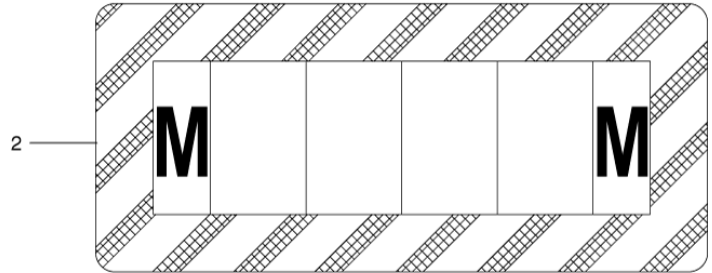
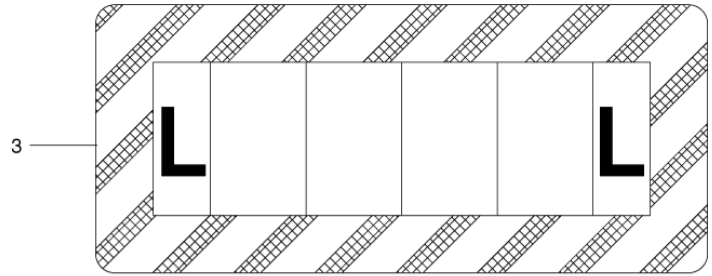
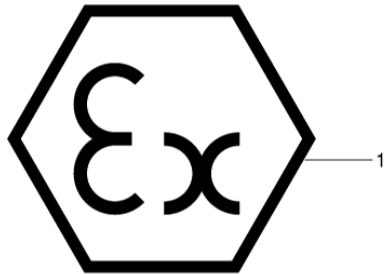
- [1] - (MOD.CTS40)
 [2] - (MOD. CTS22)
 [3] - (MOD. CTS40)



Pos.	Product no	QTY	Description	Notes
01F	40000719	1	I.E. SUPPORT KIT	
02	4083901540	1	CIRCUIT BREAKER 9-12.5 A SIR.IN.S00	[1]
02	Z8 39915	1	CIRCUIT BREAKER 5.5-8 A SIRIUS S0	[2]
03	Z8 39969	1	BOX CIRCUIT BREAKER IP65 SIRIUS S0	
05	Z8 39568	1	METAL RING NUT PG16	
06	Z8 39060	1	CABLE GLAND PG16 PA SPRING	
07	4083901375	1	CABLE SUP. 4G2.5 NE. SP16A 9M II2D	
07	4083901381	1	CABLE SUP. 4G2.5 NE. SP16A 5PP 9M II2D	

Part Notes:

- [1] - (MOD. CTS40)
- [2] - (MOD. CTS22)
CONTACT PM IN ZOCCA-CHECK EC



Pos.	Product no	QTY	Description	Notes
03	Z8 17550	1	LABEL CATEGORY L	

