

# PARTS LIST

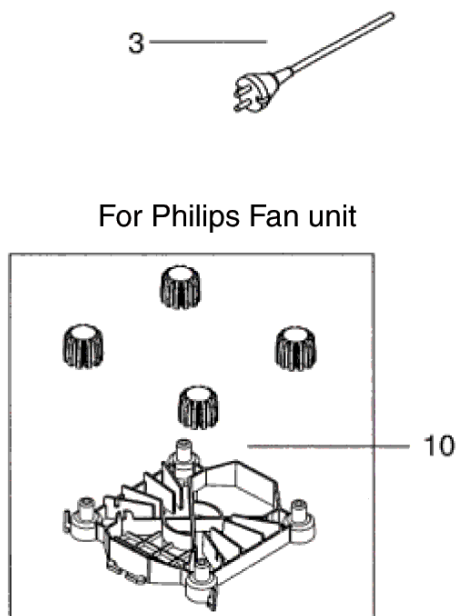
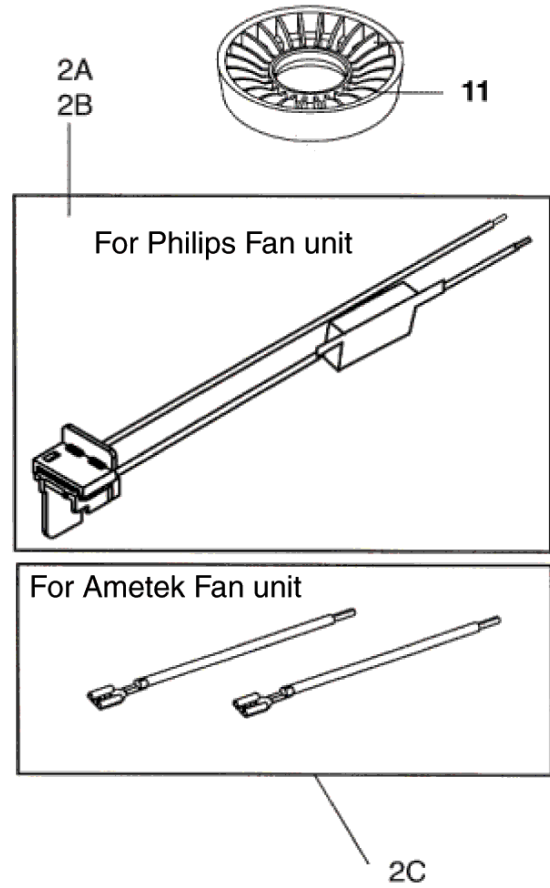
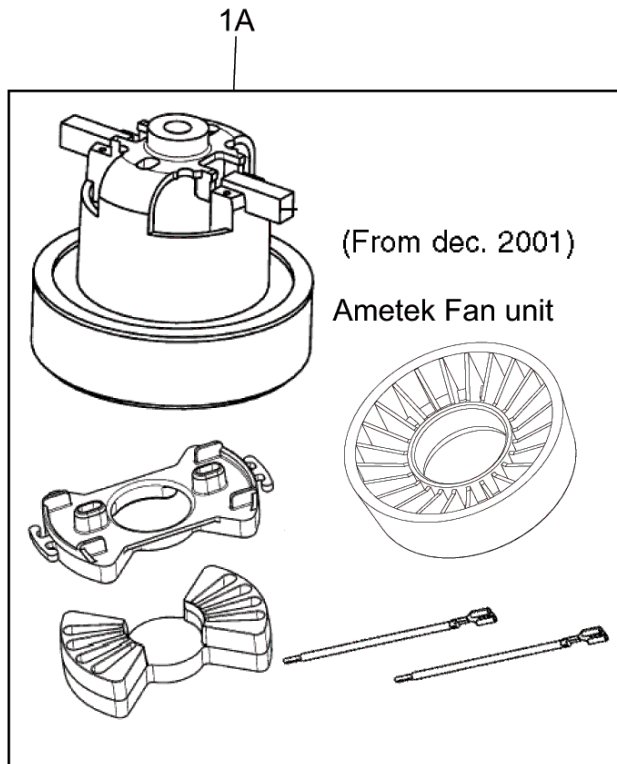


2021.01.05

# TABLE OF CONTENTS

---

Motor and cord types .....	1
Upper parts .....	3
Electric operating switch units .....	5
Filterl, HEPA filter and sound suppressors .....	7
Lower parts .....	9
Accessories: nozzles, tubes, hoses and dust bags .....	11
Accessories: NILFISKMOP .....	13
Accessories: nozzles, special consumer .....	15
RECOMMENDED SPARE PARTS .....	17

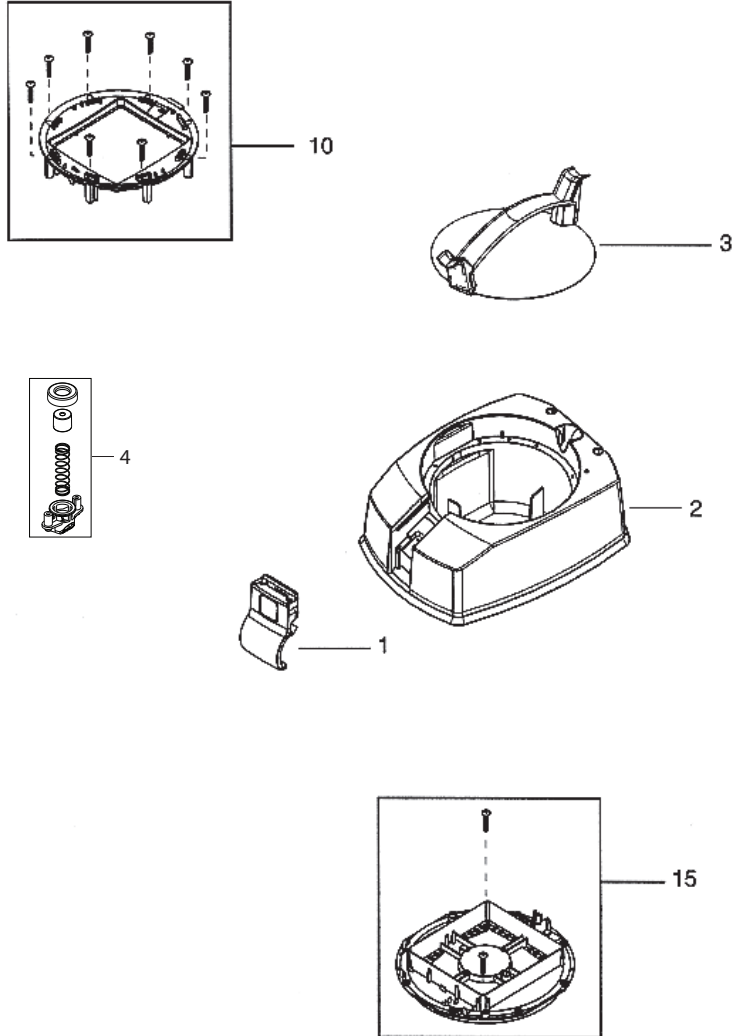


	Voltage	Plug type	
Europa	250		
UK	250		
AUS/NZ	250		
CH	-		
USA/Japan	120		
Italy	250		

Pos.	Product no	QTY	Description	Notes
00	140 8321 000	1	PACKAGE CPL. GD 1005/HDS 1005	
00	22224600	1	CARDBOARD BOX GD1000	
1A	107418629	1	MOTOR 220-240V EU ONLY	[1]
1A	22352201	1	MOTOR 100-120V	[2]
1A	22352200	1	MOTOR 230V KIT KING/GD 1000	[2]
2A	12117900	1	INT. WIRE KIT	[3]
2B	12118000	1	INT. WIRE KIT	[3]
2C	22388400	1	INT. WIRE KIT FOR AMETEK FAN	
3	12003804	1	CORD SET CH CPL. L 15M	[4]
3	12222503	1	CORD SET UK L 10M	
3	12003806	1	CORD NO PLUG L 15M	[5]
3	12003802	1	CORD SET UK CPL. L 15M	
3	12003809	1	CORD SET US/JP AWG16 L 15M	[3]
3	12222507	1	CORD SET CH L 10M	
3	12003803	1	CORD SET AU/NZ CPL. L 15M	
3	12003801	1	CORD SET EU CPL. L 15M	
3	12003807	1	CORD SET IT CPL. L 15M	
3	12003805	1	CORD SET JP CPL. L 15M	
3	12222501	1	CORD SET EU L 10M	
3	12222506	1	CORD SET AU/NZ L 10M	
10	22231100	1	MOTOR KIT FOR PHILIPS	[3]
11	22399800	1	GASKET FOR INLET	[6]

Part Notes:

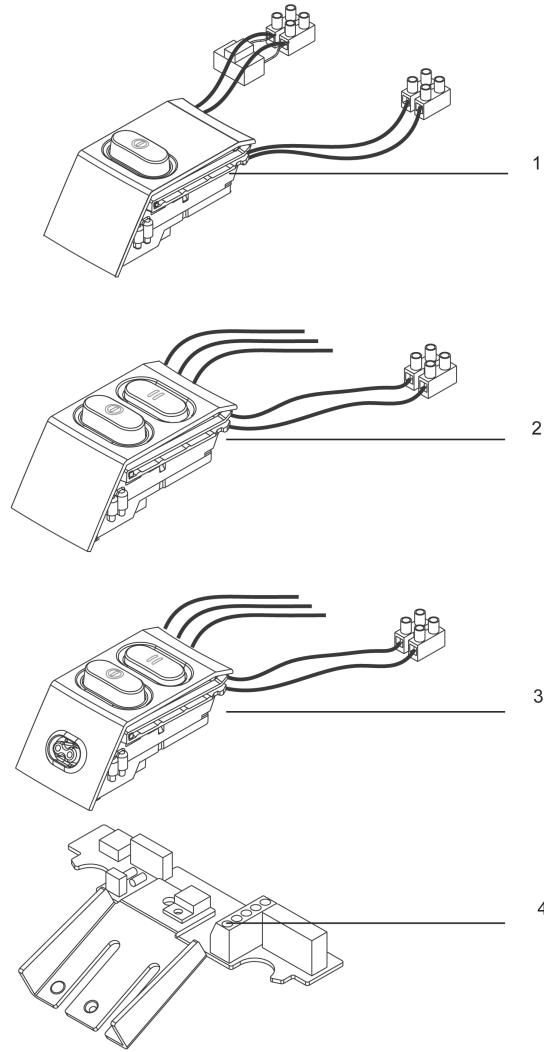
- [1] - Erp 2017
- [2] - The motor fan unit kit of 22352200 is altered. The gasket and motor fixation is now included in this kit.
- [3] - GUARANTEE DATE EXPIRED
- [4] - Machine outphased 2010  
STOCK COVERS GUARANTEE
- [5] - PRUNED - NO REPLACEMENT
- [6] - for old motor type outph. 2001  
MACHINE VERS.OUTPH.2001



---

Pos.	Product no	QTY	Description	Notes
1	12004300	1	LOCK ASSEMBLY	
2	12010700	1	UPPER PART GD 1000 LIGHT GREY	
3	12001200	1	HANDLE COVER W.CORD HOLDER	
4	62104301	1	VALVE	
10	22231001	1	TOP COVER DARK GREY	
10	22231000	1	TOP COVER	
15	22299601	1	MOTOR COVER	

---

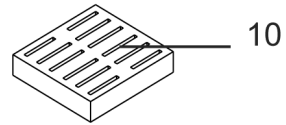
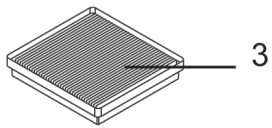
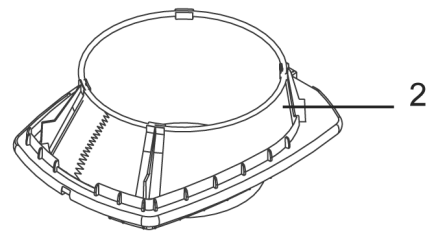
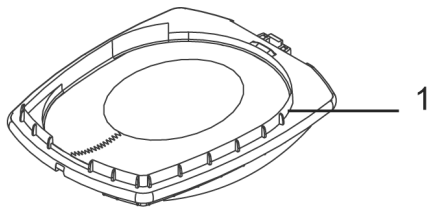


Resource notes:

Pos.	Product no	QTY	Description	Notes
01	12019610	1	ELECTRICAL UNIT GD 1005/1010	
02	12019710	1	ELECTRICAL UNIT GDS 1010	
03	12019810	1	EL UNIT HDS 1005	[1]
04	12010922	1	WIRING BOARD 2SPEED AMETEK FAN	[2]
04	12010925	1	WIRING BOARD 2SPEED AMETE	[3]
04	12010924	1	WIRING BOARD 2SPEED AMETEK FAN	[4]
04	12010921	1	WIRING BOARD 2SPEED AMETEK FAN	[5]

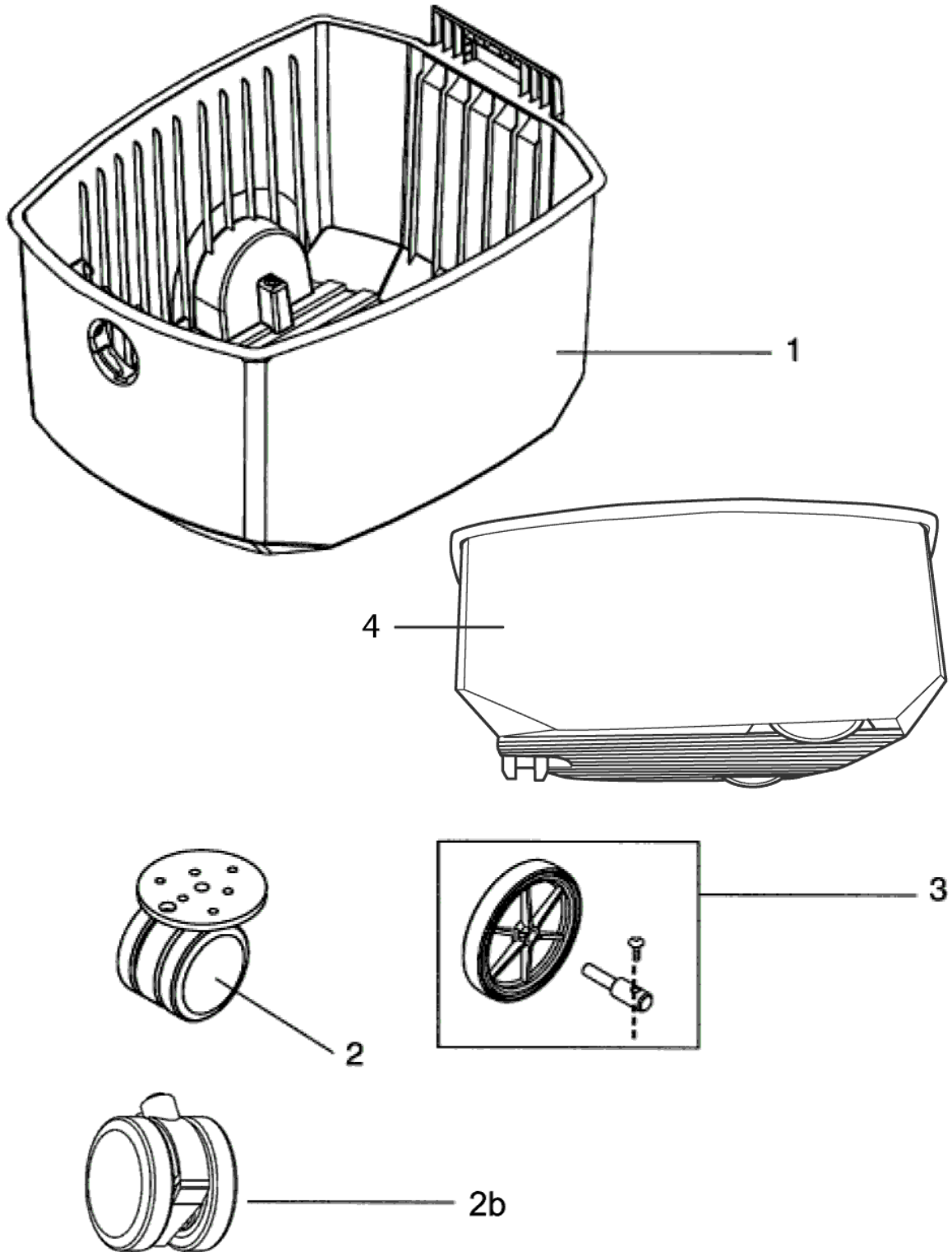
## Part Notes:

- [1] - STOCK COVERS GUARANTEE
- [2] - 110-120V, 60Hz, 1000W
- [3] - 100V, 60Hz, 1000W  
MACHINE OUTPHASED IN 2006
- [4] - 100V, 50Hz, 1000W  
TERMINATED NO REPLACEMENT
- [5] - 220-240V, 50Hz, 1200W



---

<b>Pos.</b>	<b>Product no</b>	<b>QTY</b>	<b>Description</b>	<b>Notes</b>
01	12014103	1	FILTER UNIT GREEN 1200 CM2	
01	12014201	1	FILTER UNIT BLUE 1200 CM2	
02	12014301	1	FILTER UNIT BLUE 2300 CM2	
03	12015500	1	HEPA FILTER	
10	22230900	1	SOUND SUPPRESSOR UPPER	

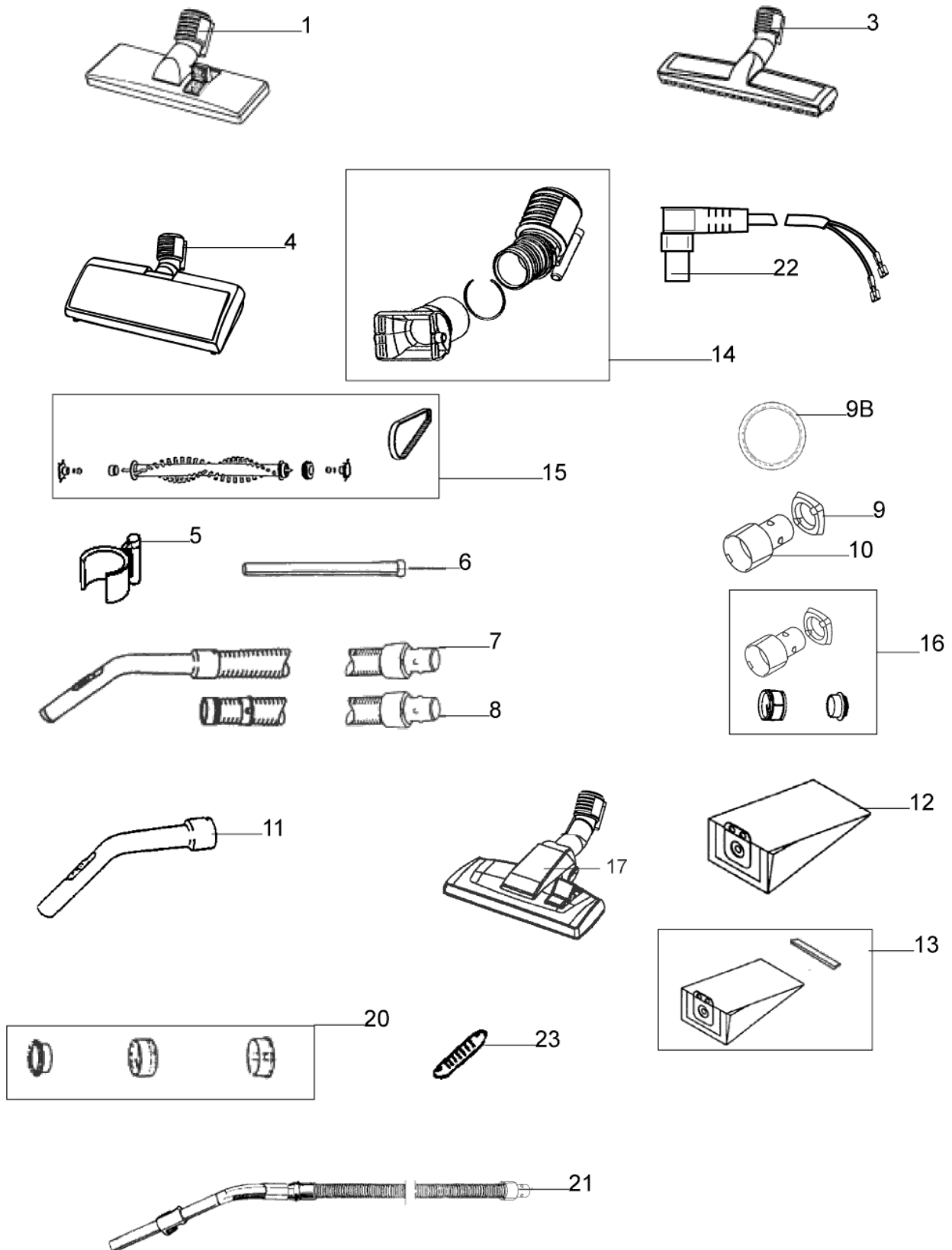


Resource notes:

Pos.	Product no	QTY	Description	Notes
01	12000502	1	CONTAINER 5L DUST BAG LOCK	
01	12000602	1	CONTAINER 10L DUST BAG LOCK	
02	147 1040 500	1	FRONT WHEEL KIT POWER/EXTREME	[1]
02B	147 1040 510	1	FRONT WHEEL KIT WITHOUT AXLE	
03	12009300	1	ED WHEELS FOR GD 1000/GS 90	
04	22246700	1	CONTAINER 5L HEAVY DUTY	[2]
04	22246800	1	CONTAINER 10L HEAVY DUTY	[2]

## Part Notes:

- [1] - includes 3 screws
- [2] - WHEELS INCLUDED

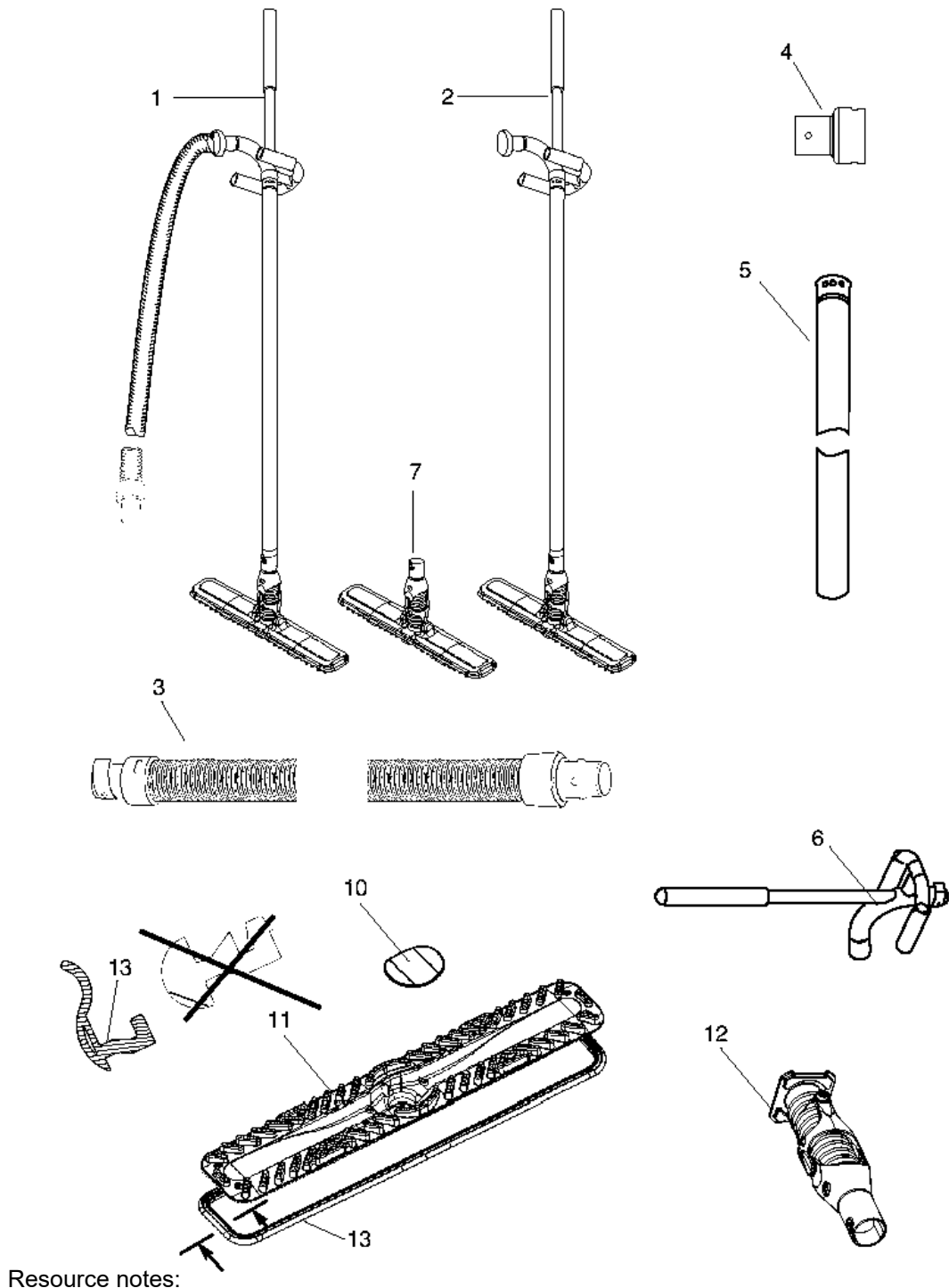


Resource notes:

Pos.	Product no	QTY	Description	Notes
1	12019401	1	COMBI NOZZLE 32MM	
3	12017001	1	NOZZLE F. HARD FLOOR 32 MM	
4	12010100	1	ELECTRO NOZZLE	[1]
4	82220700	1	ELECTRO FL. NOZZ. 100-120V	[2]
5	12018201	1	PARKING CLIP	
6	11112401	1	EXTENSION TUBE D32	
7	12018001	1	HOSE 38/32 W. CURVED TUBE GD	
7	107417791	1	HOSE CPL. 2M GD1000/2000 SP KIT	[3]
8	22042401	1	HOSE 38/32 WITH GD-COUPLING	
9	11542001	1	GASKET GS/GD COUPLING	
9B	010 9299 540	1	GASKET	
10	12018101	1	HOSE COUPLING F. HOSE 38MM	
11	21640503	1	BENDED TUBE WITH SHUTTER GREY	
12	82222900	1	DUST BAG 5 PCS FAMILY BUSINESS	
12	82367805	1	DUST BAG 5L 5PCS	
12	82222900	1	DUST BAG 5 PCS FAMILY BUSINESS	
13	22251800	1	DUST BAG CLOTH KIT	
14	22367500	1	KOBLING FOR R Ø R GD1000	
15	22365000	1	KIT BRUSH & BELT	[4]
16	147 0210 520	1	HOSE CONNECTOR KIT DARK GREY	
17	107418630	1	COMBI NOZZLE RD295P W. PARKING CLIP	[5]
17	140 8492 510	1	COMBI NOZZLE ROLLER PC D32	
20	22350900	1	RINGS F.TAPERED OR CONIC	
21	82321300	1	HOSE CPL. 2M	
22	22201500	1	CABLE FOR ELECTRO NOZZ.	
23	22351000	1	SHUTTER FOR TUBE 5PCS	

## Part Notes:

- [1] - PRUNED DUE TO LOW SALES
- [2] - NO DIRECT REPLACEMENT
- [3] - PRUNED - NO REPLACEMENT
- [4] - CONTACT PM IN ZOCCA
- [5] - ACCESSORY 2020 PRUNING ERP 2017



Resource notes:

Pos.	Product no	QTY	Description	Notes
01	17830000	1	NILFISK MOP GD1000	
01	17830002	1	NILFISK MOP GD1000	
01	17830001	1	NILFISK MOP GD1000	
02	17830007	1	MOP WITHOUT HOSE 1000 MM MED.	
03	62139100	1	PLASTIC HOSE D32	
04	82149600	1	HOSE CPL MOP D32	[1]
04	82149700	1	ADAPTOR FOR TASKI	[2]
04	82149500	1	Adaptor for Numatic	[3]
05	62188100	1	NILFISKMOP 800MM	[4]
05	62188300	1	NILFISKMOP 1180MM	[4]
06	62188400	1	HANDLE NILFISKMOP	[4]
07	22201800	1	MOP NOZZLE	[5]
11	22144600	1	FOOT PLATE WITH FENDER	[6]
12	22144300	1	Flexible neck	[5]
13	22145500	1	FENDER LIST	[6]

## Part Notes:

- [1] - 2020 ACCESSORY PRUNING
- [2] - PRUNED
- [3] - TERMINATED
- [4] - NO REPLACEMENT
- [5] - NO LONGER AVAILABLE
- [6] - GUARANTEE EXPIRED

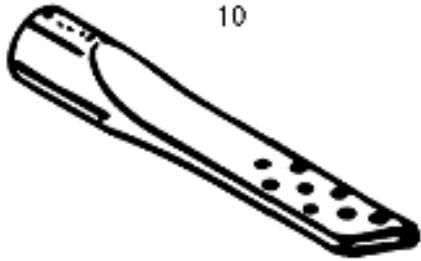
1



2



10



11



12



Resource notes:

Pos.	Product no	QTY	Description	Notes
01	32043700	1	PHOLSTERY NOZZLE D32 GREY	
02	22103600	1	ROUND BRUSH BLUE BRISTLES	
02	11276901	1	BRUSH ROUND GREY 100 NATU	
02	22302500	1	BRUSH ROUND BLACK 100%	[1]
10	81530400	1	CREVICE NOZZLE D32 LENGTH 245MM	
11	11530500	1	CREVICE NOZZLE BRUSH 32MM	[2]
12	81140900	1	CREVICE NOZZLE KIT	

## Part Notes:

- [1] - 22352000 OR 11276901  
[2] - 010 5818 140+010 3098 500



# RECOMMENDED SPARE PARTS

HDS 1005

2017.11.02

2013.04.02

Pos.	Product no	QTY	Description	Notes
00	147 1040 500	1	FRONT WHEEL KIT POWER/EXTREME	
00	147 1040 510	1	FRONT WHEEL KIT WITHOUT AXLE	
00	12003807	1	CORD SET IT CPL. L 15M	
00	22231100	1	MOTOR KIT FOR PHILIPS	[1]
00	12003801	1	CORD SET EU CPL. L 15M	
00	12222501	1	CORD SET EU L 10M	
00	12019810	1	EL UNIT HDS 1005	[2]
00	12003805	1	CORD SET JP CPL. L 15M	
00	12222506	1	CORD SET AU/NZ L 10M	
00	12015500	1	HEPA FILTER	
00	22352200	1	MOTOR 230V KIT KING/GD 1000	
00	12003803	1	CORD SET AU/NZ CPL. L 15M	
00	12003802	1	CORD SET UK CPL. L 15M	
00	12004300	1	LOCK ASSEMBLY	
00	12010922	1	WIRING BOARD 2SPEED AMETEK FAN	
00	12003806	1	CORD NO PLUG L 15M	[3]
00	12019610	1	ELECTRICAL UNIT GD 1005/1010	
00	12001200	1	HANDLE COVER W.CORD HOLDER	
00	12003804	1	CORD SET CH CPL. L 15M	[4]
00	12222503	1	CORD SET UK L 10M	
00	12010921	1	WIRING BOARD 2SPEED AMETEK FAN	
00	12003809	1	CORD SET US/JP AWG16 L 15M	[1]
00	12010924	1	WIRING BOARD 2SPEED AMETEK FAN	[5]
00	12019710	1	ELECTRICAL UNIT GDS 1010	
00	12222507	1	CORD SET CH L 10M	
00	12009300	1	ED WHEELS FOR GD 1000/GS 90	
00	22230900	1	SOUND SUPPRESSOR UPPER	
00	22352201	1	MOTOR 100-120V	
00	22399800	1	GASKET FOR INLET	[6]

Part Notes:

- [1] - GUARANTEE DATE EXPIRED
- [2] - STOCK COVERS GUARANTEE
- [3] - PRUNED - NO REPLACEMENT
- [4] - Machine outphased 2010  
STOCK COVERS GUARANTEE
- [5] - TERMINATED NO REPLACEMENT
- [6] - MACHINE VERS.OUTPH.2001

