

# PARTS LIST

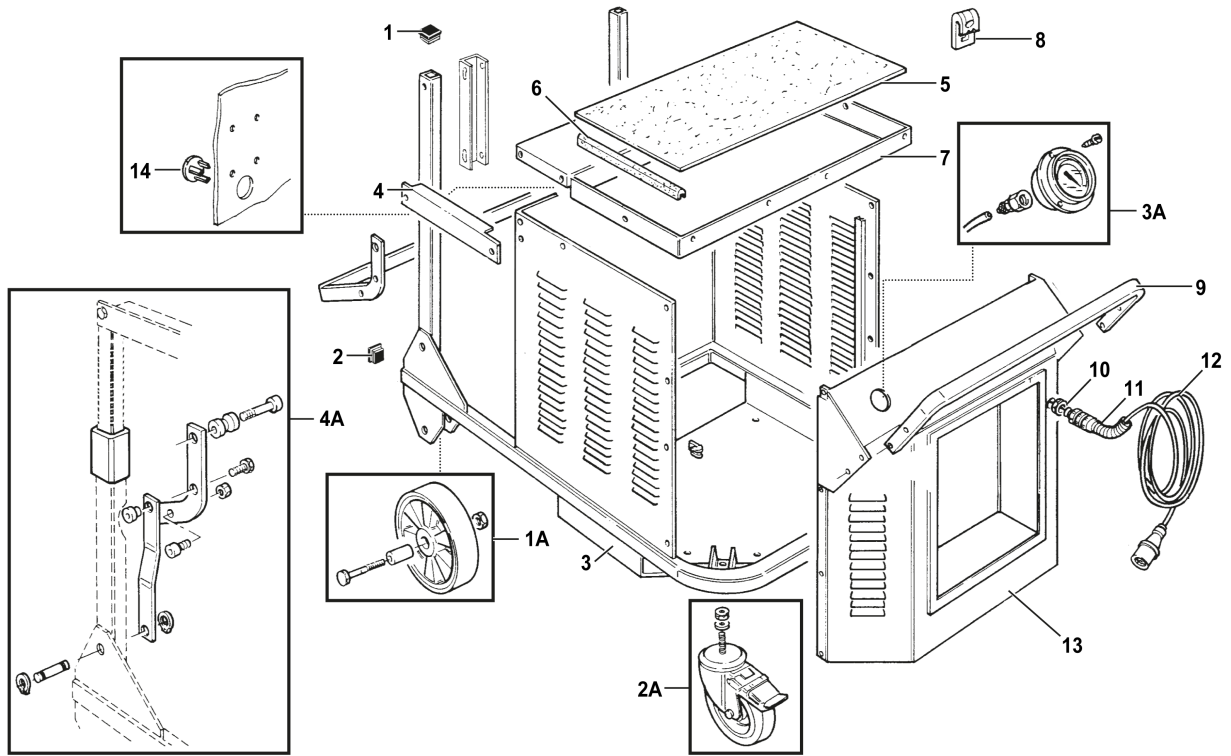
---

2021.05.25

# TABLE OF CONTENTS

---

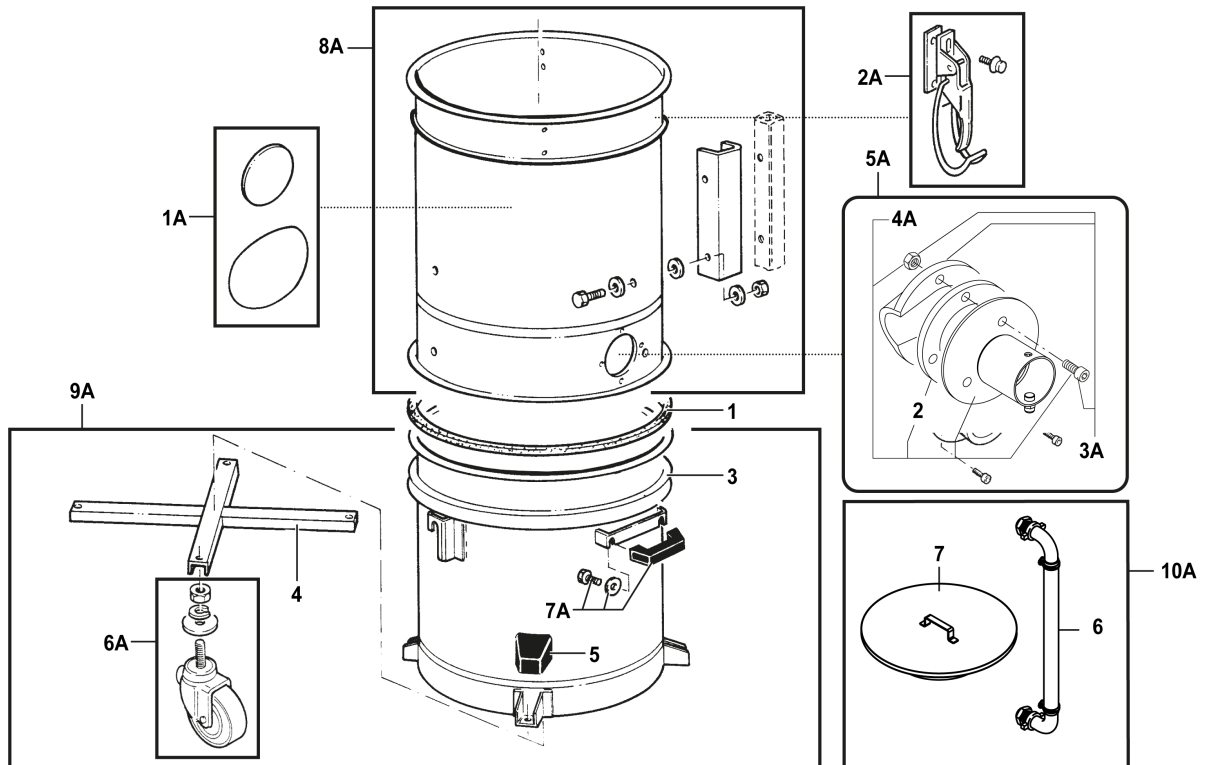
L167 - 1 - CAR .....	1
L167 - 2 - CONTAINER UNIT .....	3
L167 - 3 - FILTER GROUP .....	5
L167 - 4 - ABSOLUTE FILTER ON BLOWING PART .....	7
L167 - 5 - ABSOLUTE FILTER ON SUCTION PART .....	9
L167 - 6 - COVER .....	11
L167 - 7 - SHAKER UNIT .....	13
L167 - 8 - FILTER GROUP .....	15
L167 - 9 - 3707-3907 SUCTION UNIT .....	17
L167 - 10 - 3707/10-3907/18 SUCTION UNIT .....	19



Pos.	Product no	QTY	Description	Notes
1	Z8 40035	2	SQUARE PLUG 40 X 40 PVCtappo	
2	Z8 40036	2	SQUARE PLUG 50 X 50 PVCtappo	
3	Z8 36063	1	CAR MODEL 3707 FEcarrello	[1]
4	Z8 1Z8157	2	distanziale	
5	Z8 17105	1	ACCESSORIES BELT MOD.3707tappeto	
6	Z8 17230	1	PROFILE ANIMATED TANK MOD.3307guarnizione	
7	Z8 16056	1	ACCESSORIES TANK M.3707vasca	
8	Z8 40037	20	FASTENER FOR SELF-THREADING.D6dado	
9	Z8 1Z8147	1	impugnatura	
10	Z8 39569	1	METAL RING NUT PG21ghiera	
11	Z8 39099	1	CABLE GLAND PG21 PA SPRINGpressacavo	
12	4083901377	1	CAVO ALIM. 4G4 NE. SP32A I13G2Dcavo	
	4083901379	1	CAVO ALIM. 4G6 NE. SP2A 9MT I12Dcavo 3907	
	4083901382	1	CAVO ALIM. 4G4 NE. SP32A 5PP I12Dcavo 5PP	
	4083901384	1	CABLE SUP. 4G6 NE. SP32A 5PP 9M I12Dcavo 5PP 3907	
13	Z8 350Z83	1	carter	
14	Z8 39532	1	HOLE COVER PANEL E.B.HEADtappo	[1]
1A	40000543	2	KIT FIX ANTISTATIC CASTOR D200kit ruota fissa D200	
2A	40000641	2	KIT ANTIST. REV. CASTOR D200kit ruota pivott. D200	
3A	40000309	1	KIT VACUUM GAUGE 3500kit vuotometro 3500	
3A	40000554	1	KIT VACUUM GAUGE 4500kit vuotometro 4500	
3A	40000569	1	KIT VACUUM GAUGE 6000kit vuotometro 6000	
4A	40000576	1	KIT RELEASE LEVERkit leva di sgancio	

## Part Notes:

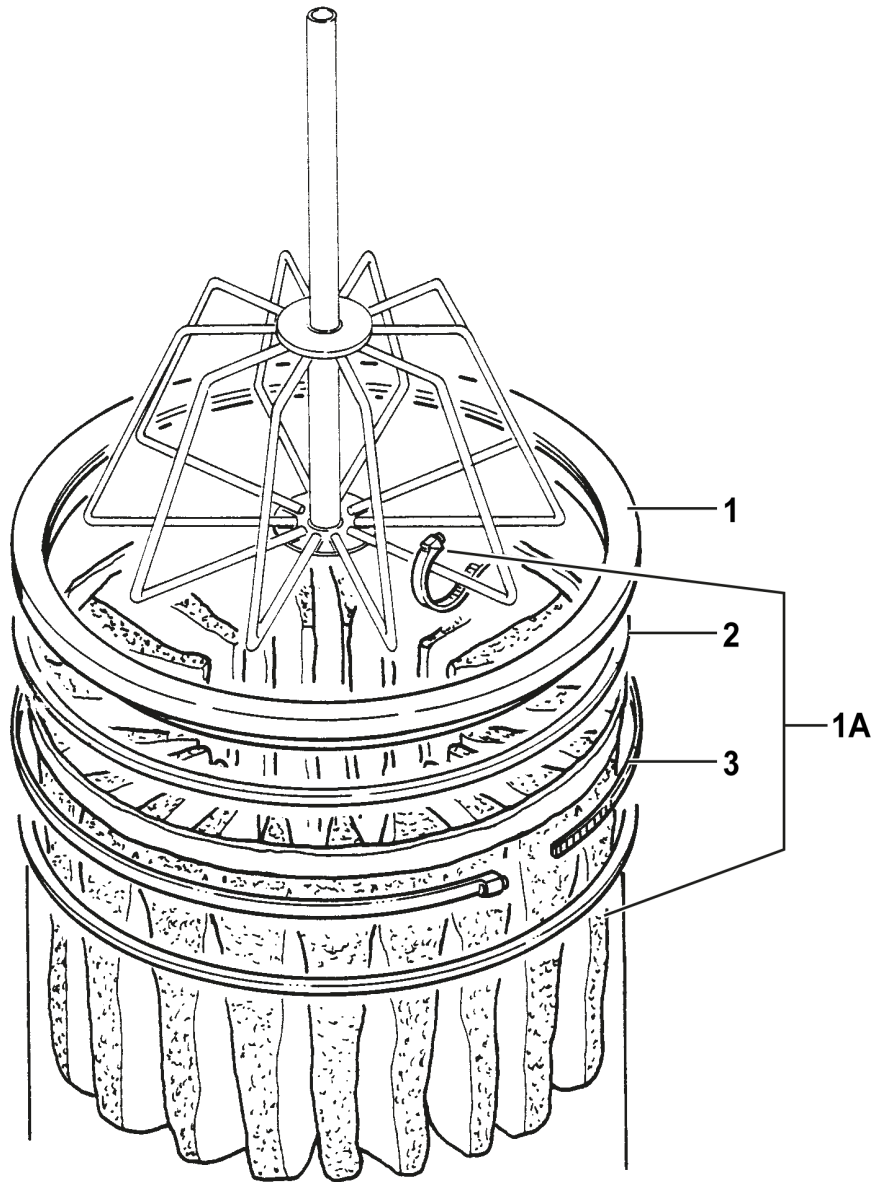
[1] - CONTACT PM IN ZOCCA



Pos.	Product no	QTY	Description	Notes
1	4081701229	18	SEAL 25 X 15 T140 CRguarnizione	
2	Z8 17056	1	INLET SEAL D100guarnizione	
3	Z8 30117	1	CONTAINER D560x700 INOX LT.175contenitore inox	[1]
4	Z8 36109	1	CONTAINER REINFORCEMENT D560rinforzo	
5	Z8 17021	4	BUMPER WHEEL HOLDERparaurti	
6	Z8 31251	1	CONTAINER GRID D560 INOXGriglia Contenitore	
7	Z5 60228	1	TUBE DEPRESSOR D.560Tubo controllo livello	
1A	40000580	1	KIT LABELS MOD.3707kit etichette 3707	
1A	40000608	1	KIT LABELSkit etichette 3907	
1A	40000613	1	KIT LABELSkit etichette 3907/18	[1]
2A	40000321	4	KIT CAP LOCK FEkit chiusura cappello	
3A	4083200653	1	DEFLECTOR D100 SSkit deflettore D100	
4A	4083200886	1	BOCCHETTONE ATEX D100 COMPLETEkit bocchettone D100	
5A	4089100930	1	KIT INLET D100 FOR ATEX COMPLETEkit bocchettone completo D100	
6A	40000577	4	KIT WHEELS FOR CONTAINERkit ruote contenitore	
7A	40000339	2	KIT HANDLE FEkit maniglia	
8A	40000578	1	KIT FILTER CHAMBER D560kit laterale D560	
9A	Z8 30090	1	CONTAINER D560X700 FE COMPL. RELEASEcontenitore completo inox	
10A	Z5 60043	1	DEPRESSOR GRID D560 INOX COMPLETEGriglia e depressore	

## Part Notes:

[1] - CONTACT PM IN ZOCCA



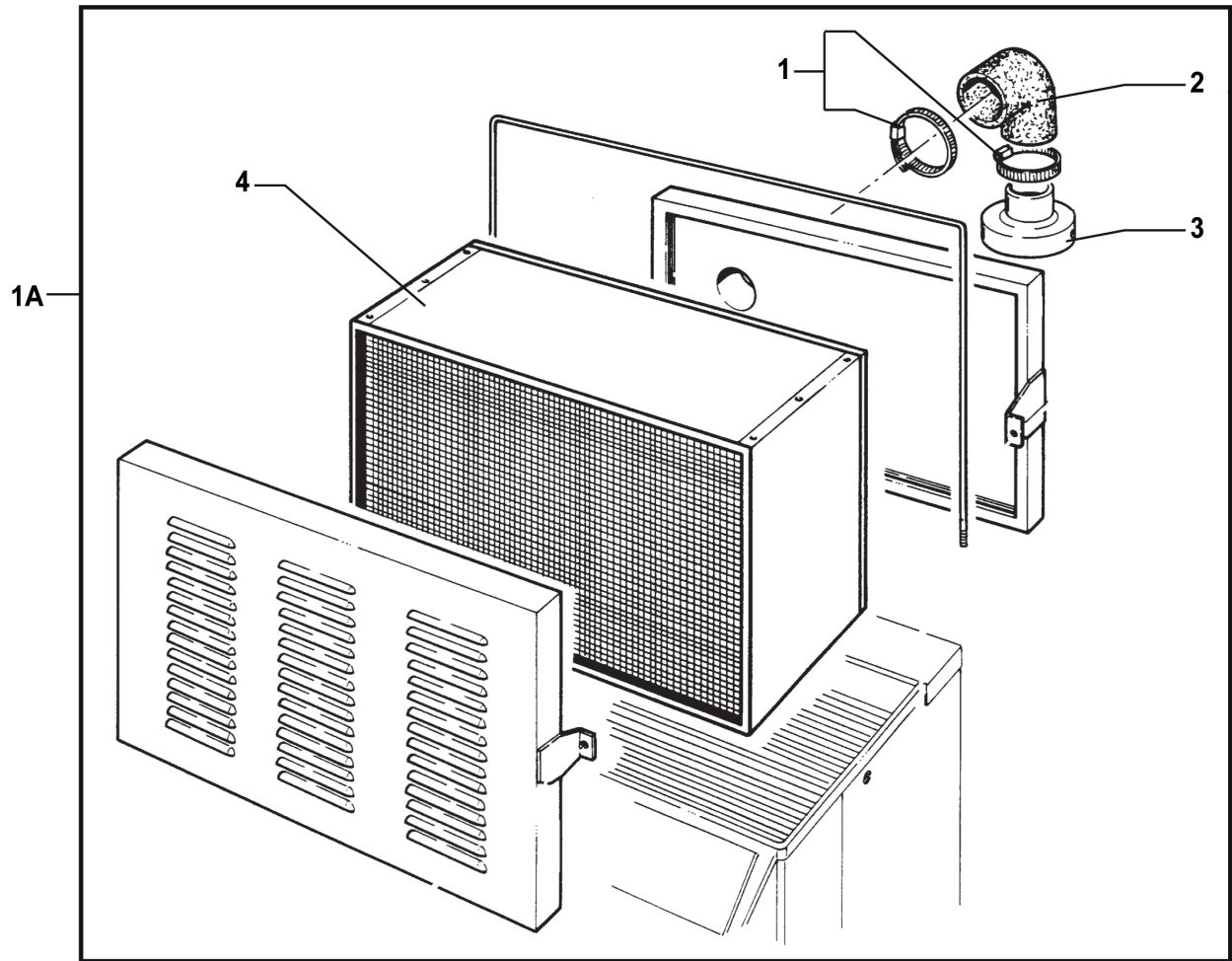
# L167 - 3 - FILTER GROUP

3707/ 3707/10 Z22

2019.07.28

2019.07.29

Pos.	Product no	QTY	Description	Notes
1	Z8 17027	1	FILTER SEAL D560 BLACKguarnizione	
2	Z8 15005	1	FILTER HOLDER RING D560 FEanello filtro	
3	Z8 18081	1	FILTER BLOCK TIE D560fascietta	
1A	40000640	1	KIT ANTISTATIC STAR FILTER D560 L CLASSkit filtro stellare D560	
1A	Z8 17510	1	STAR FILTER 560 ANTIST M COMPONENT ATEXkit filtro stellare D560 M	



# L167 - 4 - ABSOLUTE FILTER ON BLOWING PART

3707/ 3707/10 Z22

2019.07.28

2019.07.29

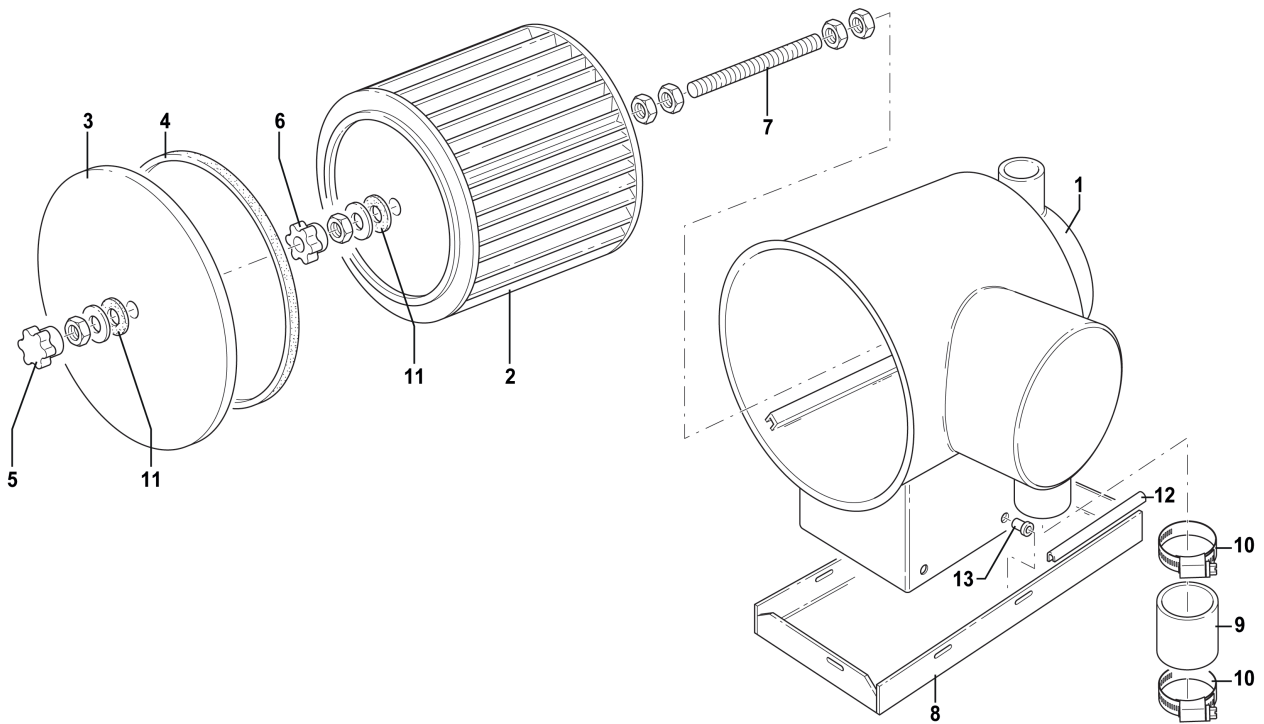
Pos.	Product no	QTY	Description	Notes
1	Z8 40044	2	TIE D90-110fascietta	
2	4072400259	5	TUBE POLYURETHAN D100 ANT. FLEX MTtubo	
3	Z8 13115	1	MUFFLER COVER D150 FEcoperchio	
4	Z8 17093	1	ABSOLUTE FILTER 457X610X300 H14filtro assoluto	
1A	Z5 60069	1	KIT ABS. FILTER M.3907W FEfiltro assoluto comp.	

# L167 - 5 - ABSOLUTE FILTER ON SUCTION PART

3707/ 3707/10 Z22

2019.07.28

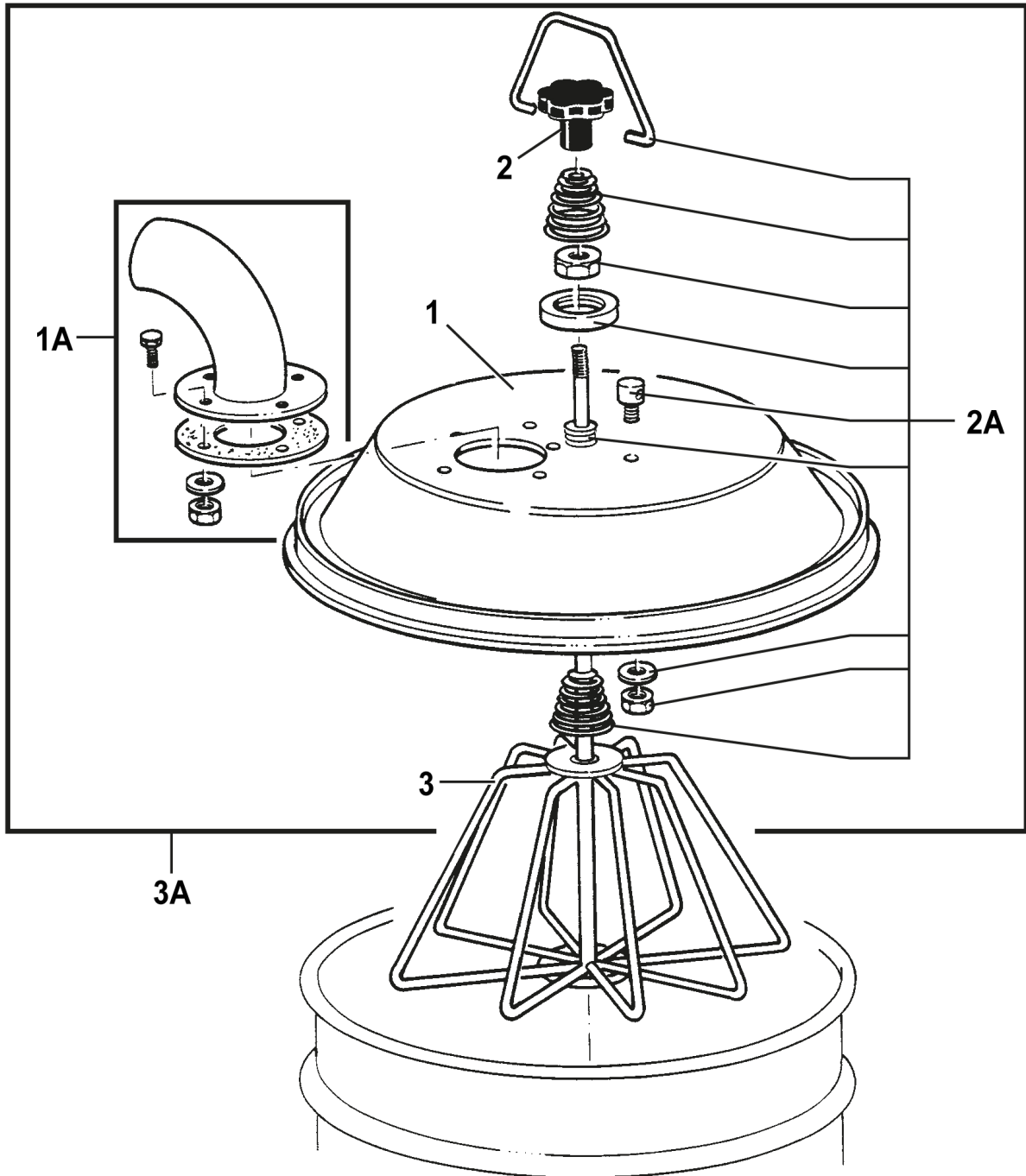
2019.07.29



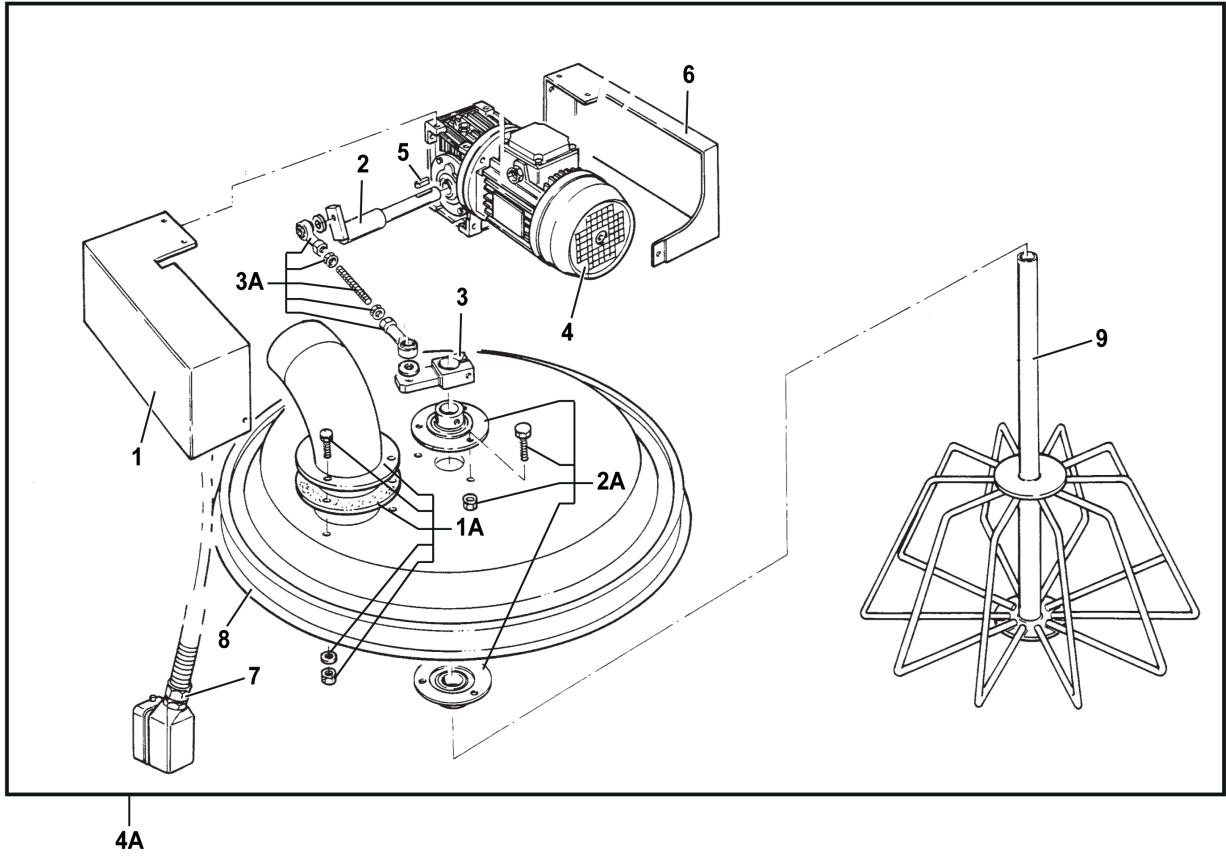
Pos.	Product no	QTY	Description	Notes
1	Z8 30193	1	CONTAINER D460x450 FE A.F. HORIZONTAL	[1]
2	Z8 17264	1	ABSOLUTE FILTER D410 X 400 H14	
3	Z8 12145	1	CAP D460 FE x CONT. A.F. coperchio	[2]
4	Z8 17231	15	ADHESIVE SEAL 20 X 8	
5	Z8 40576	1	KNOB D60 M10 NO HOLE	
6	Z8 40030	1	KNOB D60 M10 THROUGH X FIXED SUCKER	
7	Z8 38046	1	EXTRUDER M10 x 475 FE FOR FILTER K1	[1]
8	Z8 18843	1	BASE FIXING KIT K1 3707	[1]
9	4072400259	5	TUBE POLYURETHAN D100 ANT. FLEX MT	
10	Z8 40044	4	TIE D90-110	
11	Z8 38053	2	WASHER D10 IRON-RUBBER	
12	Z8 17230	85	PROFILE ANIMATED TANK MOD.3307	
13	Z8 38036	4	THREADED INSERT M6	

## Part Notes:

- [1] - CONTACT PM IN ZOCCA  
 [2] - SEE SM-SP-007



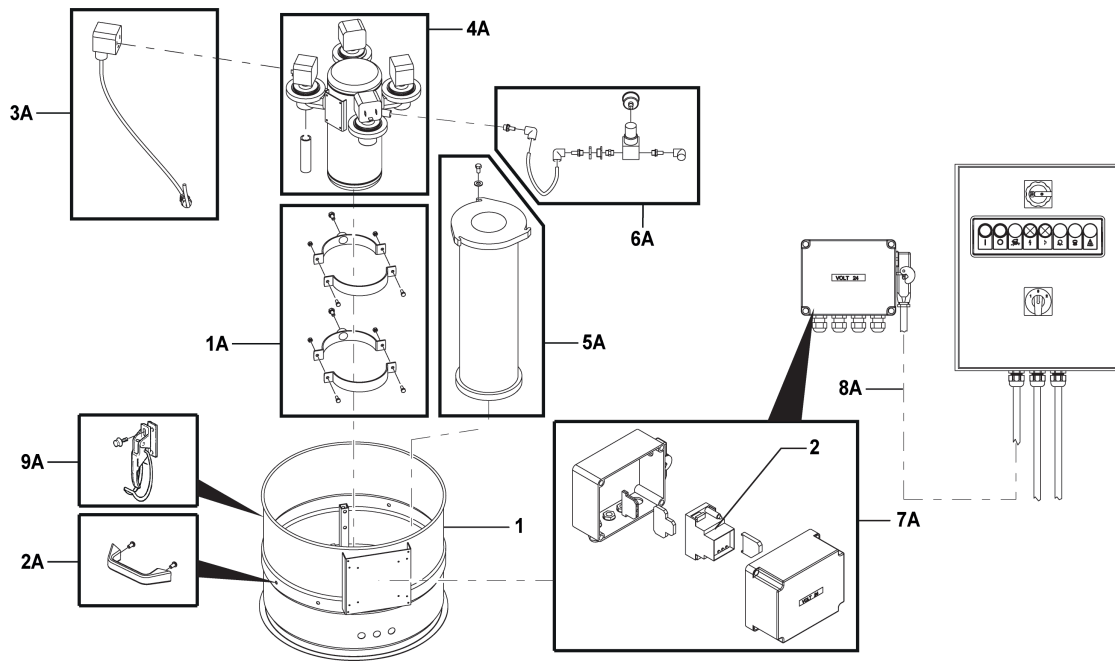
Pos.	Product no	QTY	Description	Notes
1	Z8 31229	1	CAP D560 FE HOLE D100 MAN.FILTER SHAKERcoperchio	
2	Z8 40027	1	KNOB D70 M12 NO HOLEpomello	
3	Z8 33073	1	STAR CAGE D560 FEgabbia filtro	
1A	40000585	1	KIT CAP COUPLING D100 FL150kit attacco cappello D100 FL150	
2A	40000313	1	KIT FILTER SHAKER FEkit scuotifiltro	
3A	Z8 31230	1	CAP D560 FE COMPL. D100 MAN.FILTERcoperchio completo	



Pos.	Product no	QTY	Description	Notes
1	Z8 16083	1	CARTER ELEC.F.SHAKER D560carter	[1]
2	Z8 34017	1	PIN ELECT.FILTER SHAKER D560perno	[1]
3	Z8 34016	1	ELECTRIC/FS LEVER D560leva	
4	4085600151	1	MOTORIDUTTORE X SE D560 ATEX 3D IP65motoriduttore	
5	Z8 38016	1	KEY 6X30chiavetta	[1]
6	Z8 16083A	1	CARTER ELEC.F.SHAKER D560carter	[1]
7	Z8 39055	1	CABLE GLAND PG16 PApressacavo	
8	Z8 31330	1	CAP D560 FE HOLE D100 ELECT.FILT.SHAKERcoperchio	
9	Z8 33101	1	STAR CAGE D560 ELECT.gabbia filtro	
1A	40000585	1	KIT CAP COUPLING D100 FL150kit attacco cappello D100 FL150	
2A	40000603	2	FILTER SHAKER BEARING KITkit cuscinetti scuotifiltro	[2]
3A	40000604	2	ELECTRIC FILTER SHAKER JOINT KITkit snodi scuotifiltro elettr.	[2]
4A	4056000636	1	ELECTRIC FILTER SHAKER KIT D560 EXII3GDkit scuotifiltro completo	

## Part Notes:

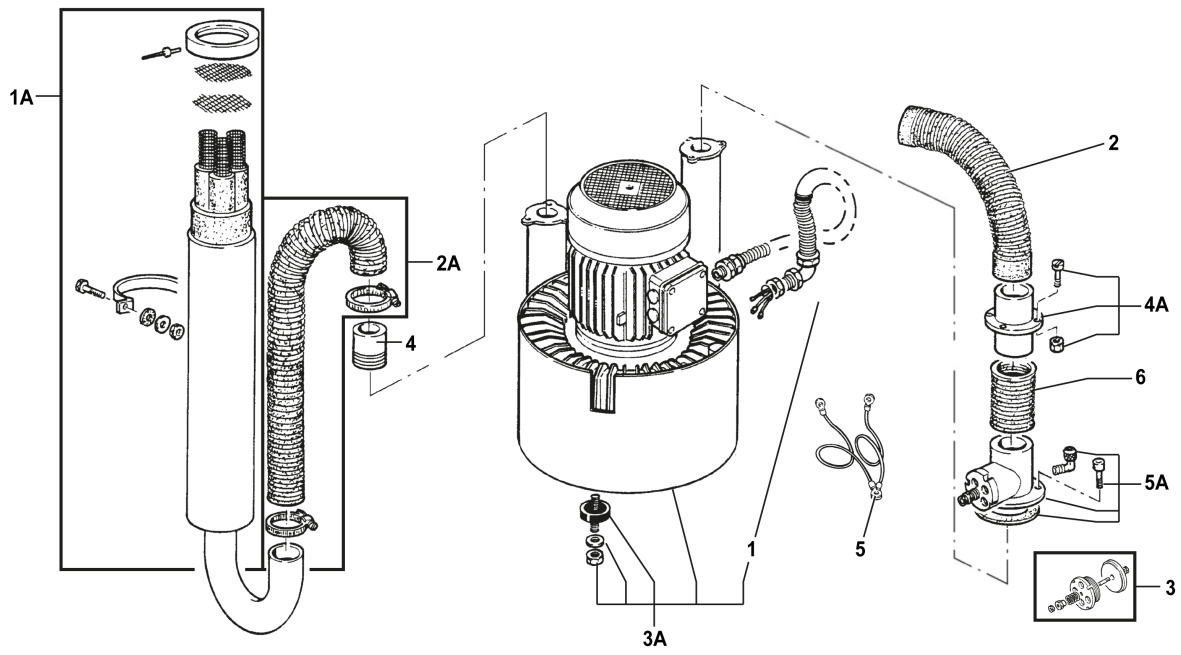
- [1] - CONTACT PM IN ZOCCA  
 [2] - NO MORE AVAILABLE



Pos.	Product no	QTY	Description	Notes
1	Z8 31086	1	FILT.CHAMBER D560X350 FE CARTRcontenitore	[1]
1	Z8 31238	1	LAT.PORTAC.D560 INOXcontenitore inox	
2	Z8 391107	1	CYCLIC TIMER 24VAC 4OUTtemporizzatore	
1A	4089101034	2	D160 COLLAR TANK KITkit collare D160 per serbatoio	
2A	40000339	2	KIT HANDLE FEkit maniglie	
3A	4084001115	4	COIL 24VAC+PILOT+CONNECT. EX II2GDXTANKkit cavi connessione serbatoio	
4A	4083000633	1	TANK COMPLETE.D560 Z22 WITH VALVE Z21kit serbatoio aria	
5A	4089100114	4	CARTRIDGE KITkit cartuccia	
5A	4089101037	4	CARTRIDGE KIT PTFEkit cartuccia PTFE	
6A	4089100121	3	AIR FITTING KITkit attacco aria	
7A	4084101014	1	E.B. KIT CART. D3-560-780 24VAC IP65quadro elettrico per kit cartucce	[2]
8A	4083901632	4	CABLE 3G1 18AWG PVC AL M MULTINORME ULkit cavo alim. per kit cartucce	
9A	40000321	4	KIT CAP LOCK FEkit chiusura cappello	
9A	40000322	2	KIT CAP LOCK INOXkit chiusura cappello inox	

## Part Notes:

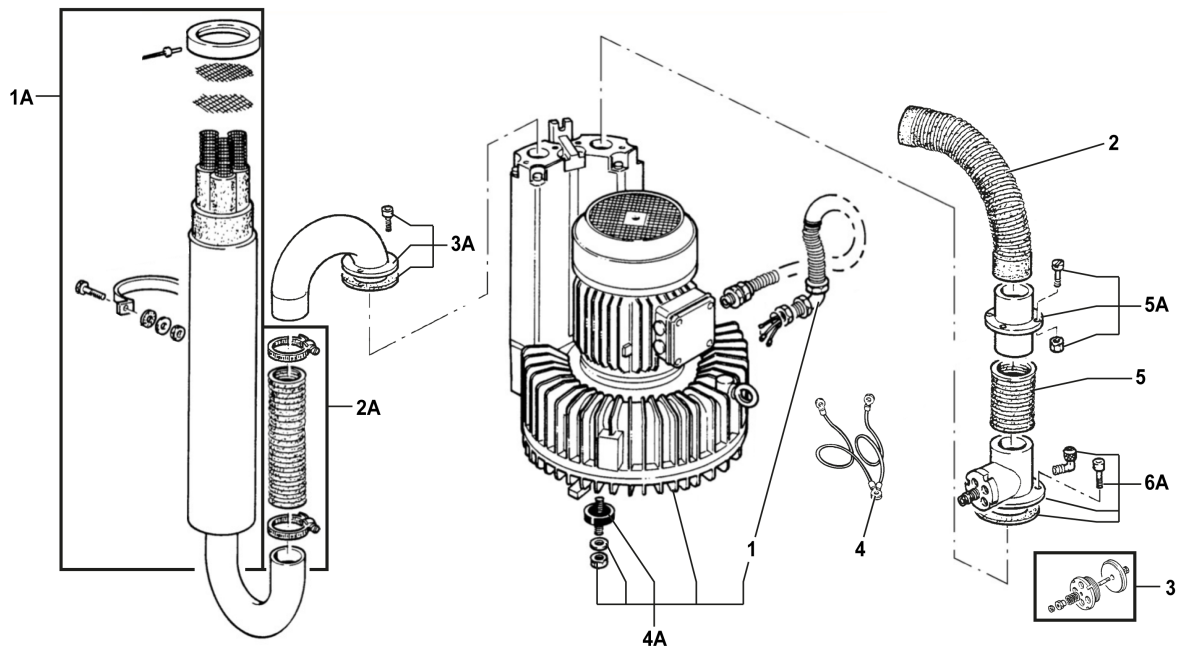
- [1] - SEE SM-SP-007  
[2] - CONTACT PM IN ZOCCA



Pos.	Product no	QTY	Description	Notes
1	Z8 39127	1	CABLE CONN.MOT. 7G4 FRORcavo 3707	
1	Z8 39122	1	CABLE SUP. 4G6 NE. SP32 9M MOD.3907cavo 3907	
2	Z8 13156	1	CONNECTION TUBE 3707/3907tubo	
3	Z8 34024	1	RELIEF VALVE 1 1/2valvola limitatrice	
4	Z8 32318	1	CONN. BLOW.3907 D70 SIEMENSraccordo soffiaggio D70	[1]
5	Z8 39590	1	KIT EARTH CABLE 3707/3907cavo di terra	[2]
6	4072400258	1	TUBE POLYURETHAN D70 ANT. FLEX MTtubo	
1A	40000586	1	KIT SILENCER D150kit silenziatore D150	
2A	40000729	1	EXHAUST HOSE KITkit tubo soffiaggio	
3A	4089100757	1	SUCTION UNIT KIT 3707kit soffiante 3707	
4A	40000602	1	D100-100 MOBILE CONNECTION FITTING KITkit raccordo mobile D100-100	
5A	40000607	1	KIT SUCTION CONNECTION D100kit raccordo aspirazione D100	

## Part Notes:

- [1] - SEE SM-SP-007  
 [2] - CONTACT PM IN ZOCCA



Pos.	Product no	QTY	Description	Notes
1	Z8 39127	1	CABLE CONN.MOT. 7G4 FRORcavo 3707	
1	Z8 39122	1	CABLE SUP. 4G6 NE. SP32 9M MOD.3907cavo 3907	
2	Z8 13156	1	CONNECTION TUBE 3707/3907tubo	
3	Z8 34025	1	RELIEF VALVE 3valvola limitatrice	
4	Z8 39590	1	KIT EARTH CABLE 3707/3907cavo di terra	[1]
5	4072400258	3	TUBE POLYURETHAN D70 ANT. FLEX MTtubo 3707	
5	32400453	6	HOSE D.100 FOR BLOWINGtubo 3907	[1]
1A	40000586	1	KIT SILENCER D150kit silenziatore D150	
2A	40000729	3	EXHAUST HOSE KITkit tubo soffiaggio	
3A	40000599	1	KIT BLOWING CONNECTION D70kit raccordo soffiaggio	
4A	40000600	1	SUCTION UNIT KITkit soffiante 3707/10	
4A	Z4 55150W 3 2D	1	BLOWER KW 15 V400/690/50 COMP. ATEXkit soffiante 3907W	[1]
4A	40000614	1	SUC.UNIT KIT 12,5 400/690-50 MOD.3907/18kit soffiante 3907/18	
5A	40000602	1	D100-100 MOBILE CONNECTION FITTING KITkit raccordo mobile D100-100	
6A	40000601	1	KIT SUCTION CONNECTION D100kit raccordo aspirazione 3707	
6A	40000611	1	KIT BLOWING CONNECTION D100kit raccordo aspirazione 3907	

## Part Notes:

[1] - CONTACT PM IN ZOCCA

