

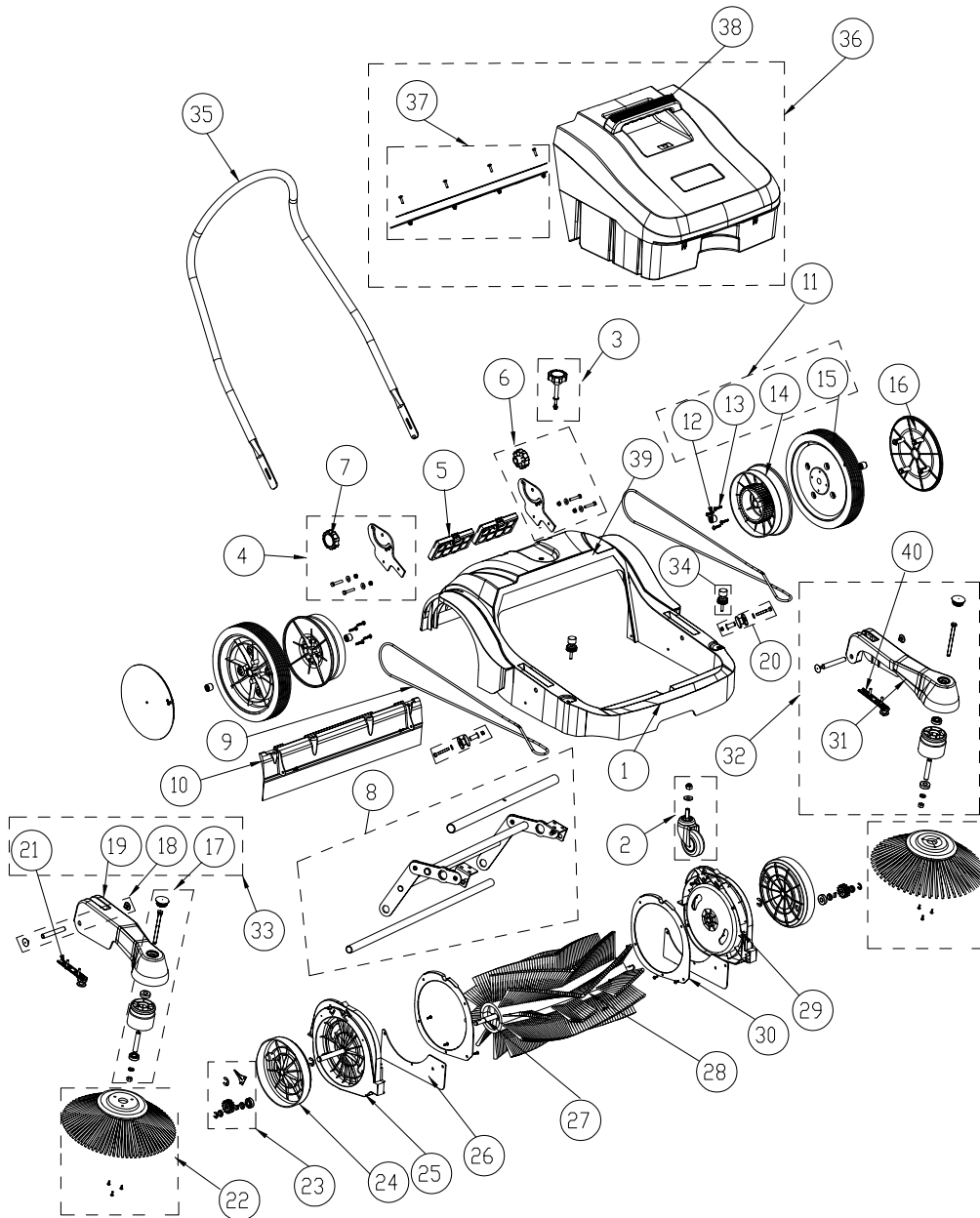
PARTS LIST



2020.06.05

TABLE OF CONTENTS

Overview1
WEAR AND TEAR PARTS.....3



Pos.	Product no	QTY	Description	Notes
1	VP11001	1	CHASSIS	
2	VP11911	1	CASTOR KIT	
3	VP11913	1	MAIN BROOM HEIGHT ADJUSTMENT KNOB	
4	VP11901	1	HANDLE MOUNTING PLATE RIGHT KIT	
5	VP11902	1	FILTER	
6	VP11908	1	HANDLE MOUNTING PLATE LEFT KIT	
7	VP11021	2	HANDLE ADJUSTMENT KNOB	
8	VP11914	1	MAIN BROOM ADJUSTMENT KIT	
9	VP11012	2	ROUND BELT D6	
10	VP11010	1	REAR SEAL SKIRT	
11	VP11300	2	WHEEL KIT	
12	VP11302	4	PLASTIC BEARING	
13	VA80825	8	SCREW ST5X25	
14	VP11301	2	PLASTIC GEAR WHEEL	
15	VP11312	2	DRIVE WHEEL - BLACK	
16	VP11303	2	WHEEL CAP	
17	VP11903	2	BELT PULLEY KIT	
18	VP11904	2	SIDE BROOM AXLE KIT	
19	VP11401	1	RIGHT SIDE BROOM ARM	
20	VP11905	2	GUIDE WHEEL KIT	
21	VP11420	1	BELT TENSION KIT RIGHT	
22	VP11406	2	SIDE BROOM	
23	VP11906	2	GEAR KIT	
24	VP11203	2	MAIN BROOM ADJUSTING PLASTIC DISK	
25	VP11201	1	RIGHT SUPPORT BASE	
26	VP11204	2	SEAL SKIRT	
27	VP11212	1	MAIN BROOM SHAFT	
28	VP11211	1	MAIN BROOM	
29	VP11202	1	LEFT SUPPORT BASE	
30	VP11206	2	COVER SUPPORT BASE	
31	VP11501	1	LEFT SIDE BROOM ARM	
32	VP11500	1	SIDE BROOM LEFT KIT	
33	VP11400	2	SIDE BROOM RIGHT KIT	
34	VP11907	2	SIDE BROOM ADJUST KIT	
35	VP11011	1	HANDLE	
36	VP11600	1	HOPPER	[1]
36	VP11620	1	HOPPER	[2]
37	VP11910	1	SKIRT HOPPER KIT	
38	VP11603	1	HANDLE HOPPER	
39	VP11023	1	SEALING	
40	VP11909	1	BELT TENSION LEFT KIT	

Part Notes:

- [1] - SW200 700/SW250 920
- [2] - FLOORTEC 570M/FLOORTEC 592M

WEAR AND TEAR PARTS

SW250 920 NIL

2013.04.23

2017.08.28

Pos.	Product no	QTY	Description	Notes
	VP11911	1	CASTOR KIT	
	VP11902	1	FILTER	
	VP11012	2	ROUND BELT D6	
	VP11010	1	REAR SEAL SKIRT	
	VP11300	2	WHEEL KIT	
	VP11406	2	SIDE BROOM	
	VP11204	2	SEAL SKIRT	
	VP11211	1	MAIN BROOM	
	VP11910	1	SKIRT HOPPER KIT	
	VP11023	1	SEALING	
	VP11021	2	HANDLE ADJUSTMENT KNOB	

