

# PARTS LIST

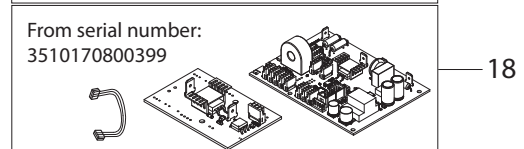
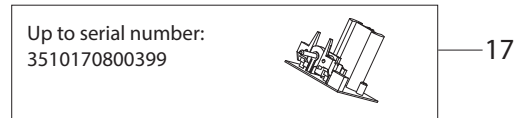
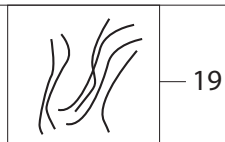
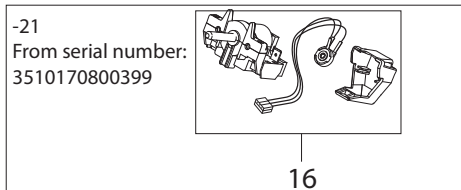
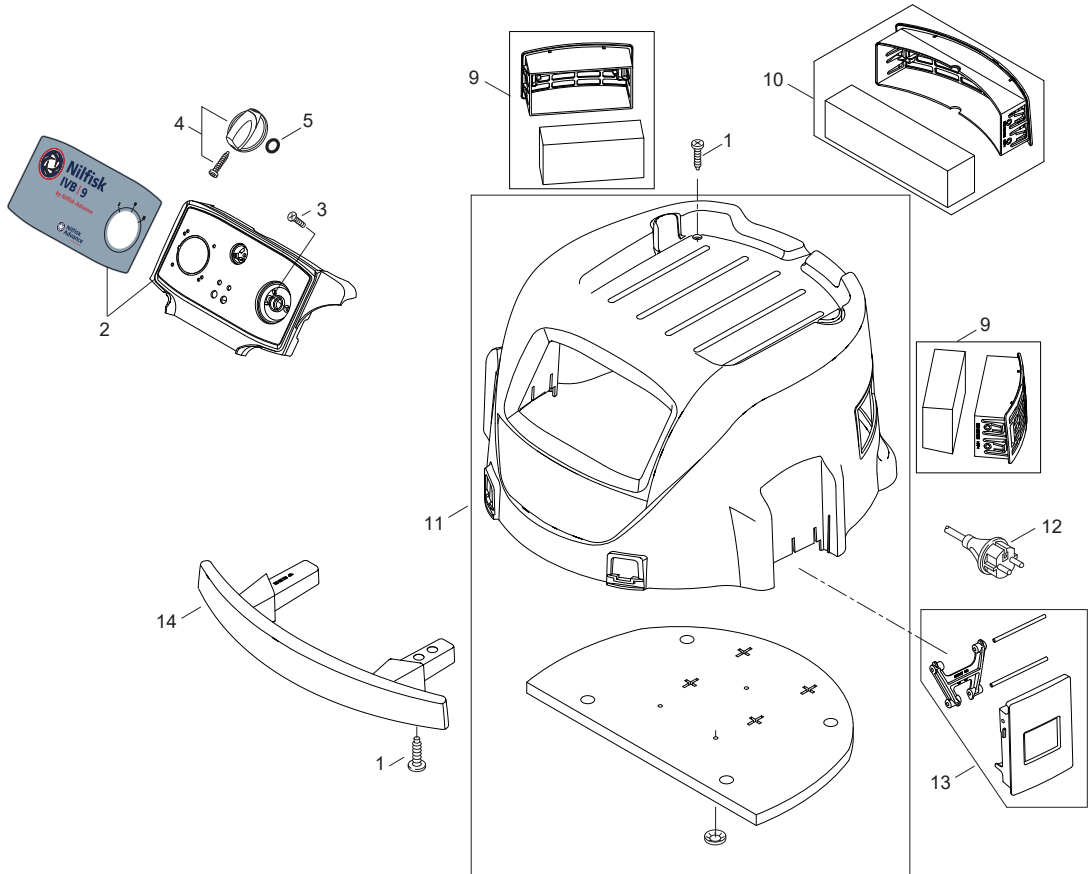


2021.02.21

# TABLE OF CONTENTS

---

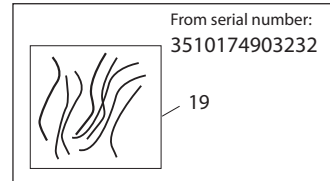
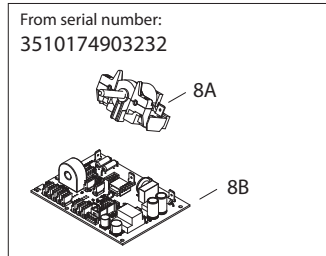
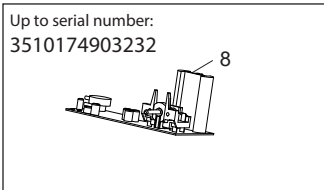
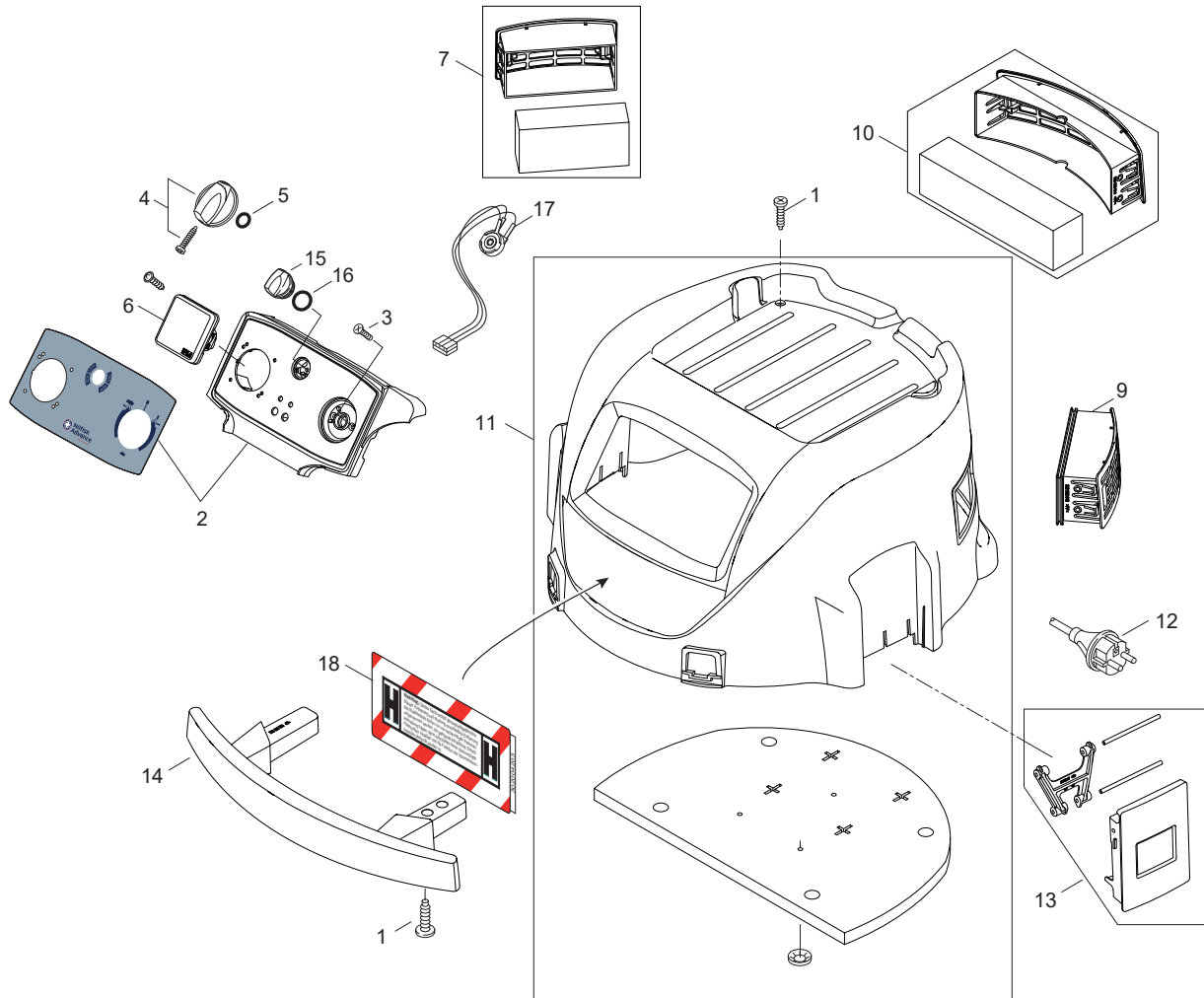
Cabinet 0L XC .....	1
Cabinet 2H/M XC .....	3
Base 0L XC .....	5
Base .....	7
Filter system 0L XC .....	9
Filter system 2H/M XC .....	11
Motor and motor top 0L XC .....	13
Motor and motor top .....	15
Container top and chassis 0L XC .....	17
Container top and chassis 2H/M XC .....	19
Container 0L XC .....	21
Container .....	23
Accessories .....	25
RECOMMENDED SPARE PARTS .....	27



Pos.	Product no	QTY	Description	Notes
00	302003274	1	SHIPPING CARTON BOX ATTIX 9 SD	
1	302003319	1	SCREW KIT ATTIX/IVB	
2	302003402	1	DISPLAY I-0-II XC IVB9 SET-1	
3	18274	2	COUNTERSUNK SCREW M4X12	
4	909100231	1	TURNING KNOB GR.1 6X5 PP SILVER GREY	
5	9868	1	O-RING 10.2X2.5 NBR 70SH	
9	302003397	2	MOTOR COOLING DIFFUSER ATTIX9 / IVB9	
10	302003398	1	EXHAUST AIR FILTER ATTIX9/IVB9	
11	302003425	1	HOOD KIT	
12	107402666	1	POWERCORD 1.5X10.8M CEE7 EU	
12	302002789	1	CABLE 10.6 METER CH	
12	302002791	1	WIRE NETZ H07RN-F3G1.0X10.8M	
12	302002790	1	LTG NETZ H07BQ-F3G2.5X10.8M CE	
12	302002788	1	LTG NETZ H07RN-F3G1.5X10.6M	
13	302003383	1	CLAMP KIT ATTIX 9/IVB 9	
14	302002590	1	HANDLE BAR BLACK PP	
16	107415193	1	ROTARY SWITCH 3 POS 16A KIT	
17	107400007	1	ELECTRO. I-0-II XC 230V	
18	107416933	1	PCBA AUTO CLEAN 2M-1S KIT1 220-240V	[1]
19	107416927	1	WIRE/CAPACITOR KIT2	

## Part Notes:

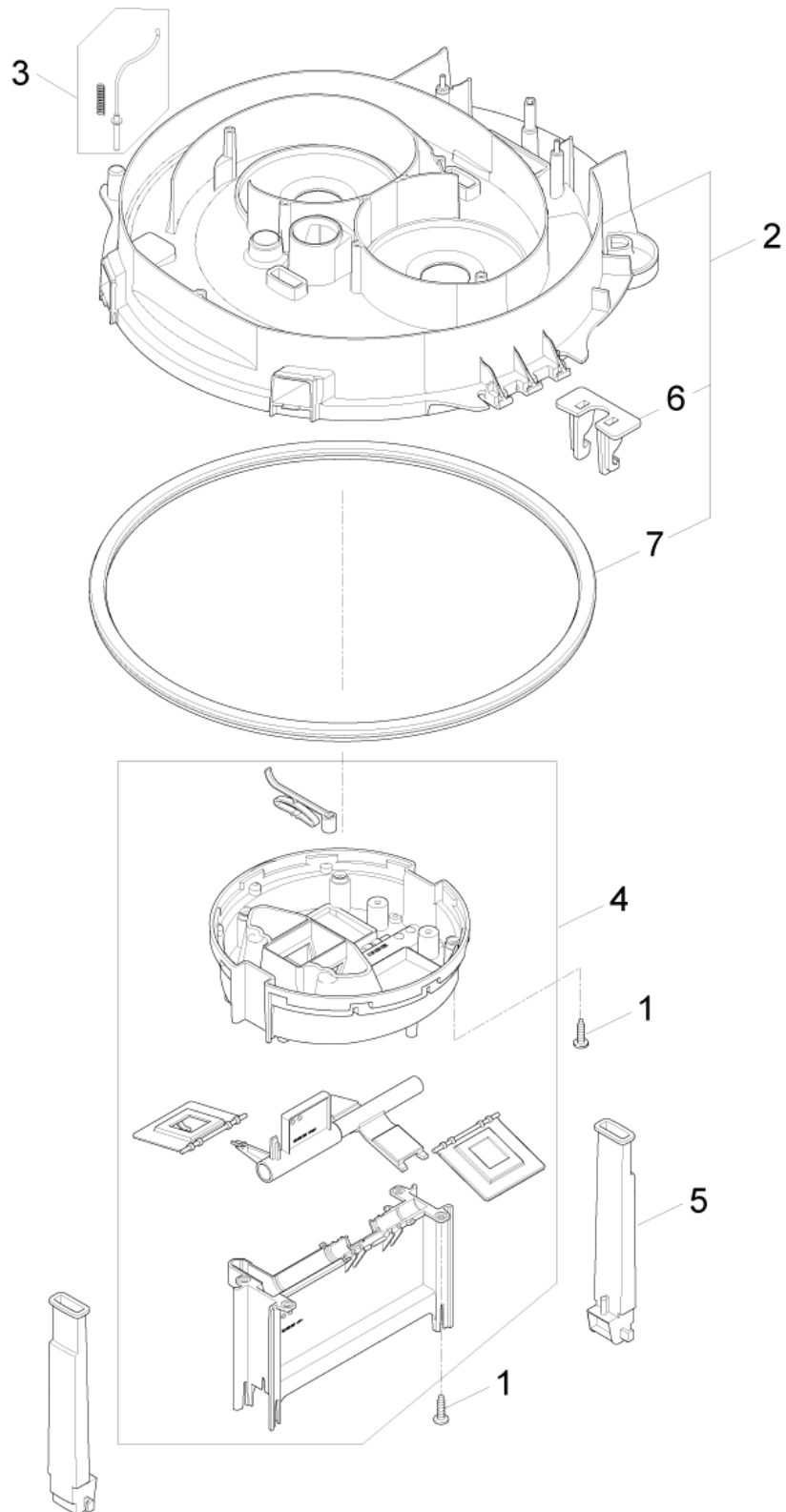
[1] - PB-COM-LI-2017-002 ATTIX-IVB 965\_New Electronics



Pos.	Product no	QTY	Description	Notes
1	302003319	1	SCREW KIT ATTIX/IVB	
2	302003074	1	LABEL CONTROL PANEL IVB9	
3	18274	2	COUNTERSUNK SCREW M4X12	
4	909100231	1	TURNING KNOB GR.1 6X5 PP SILVER GREY	
5	9868	1	O-RING 10.2X2.5 NBR 70SH	
6	302004034	1	SOCKET 16A/250V EU	
7	107402837	4	SCREW 3.5X14	
8	302003708	1	ELECTRONICS AUTO-0-1 XC FLOW	[1]
8A	107413449	1	ROTARY SWITCH 3 POS+REG 16A KIT	[2]
8B	107416957	1	PCBA AUTO CLEAN MH 2M-1S KIT2 220-240V	[2]
9	302003397	2	MOTOR COOLING DIFFUSER ATTIX9 / IVB9	
10	302003398	1	EXHAUST AIR FILTER ATTIX9/IVB9	
11	302003425	1	HOOD KIT	
12	302002788	1	LTG NETZ H07RN-F3G1.5X10.6M	
12	302002790	1	LTG NETZ H07BQ-F3G2.5X10.8M CE	
12	302002789	1	CABLE 10.6 METER CH	
12	107402666	1	POWERCORD 1.5X10.8M CEE7 EU	
12	302002791	1	WIRE NETZ H07RN-F3G1.0X10.8M	
13	302003383	1	CLAMP KIT ATTIX 9/IVB 9	
14	302002590	1	HANDLE BAR BLACK PP	
15	107400575	1	TURNING KNOB FOR POTI - BLACK	
16	107400576	1	O-RING 21X1.5	
17	302000429	1	ELECTRONIC POTENTIOMETER	
18	107401548	1	LABEL DUSTCLASS H 130X44 PVC	
19	107416945	1	WIRE/CAPACITOR KIT3	[2]

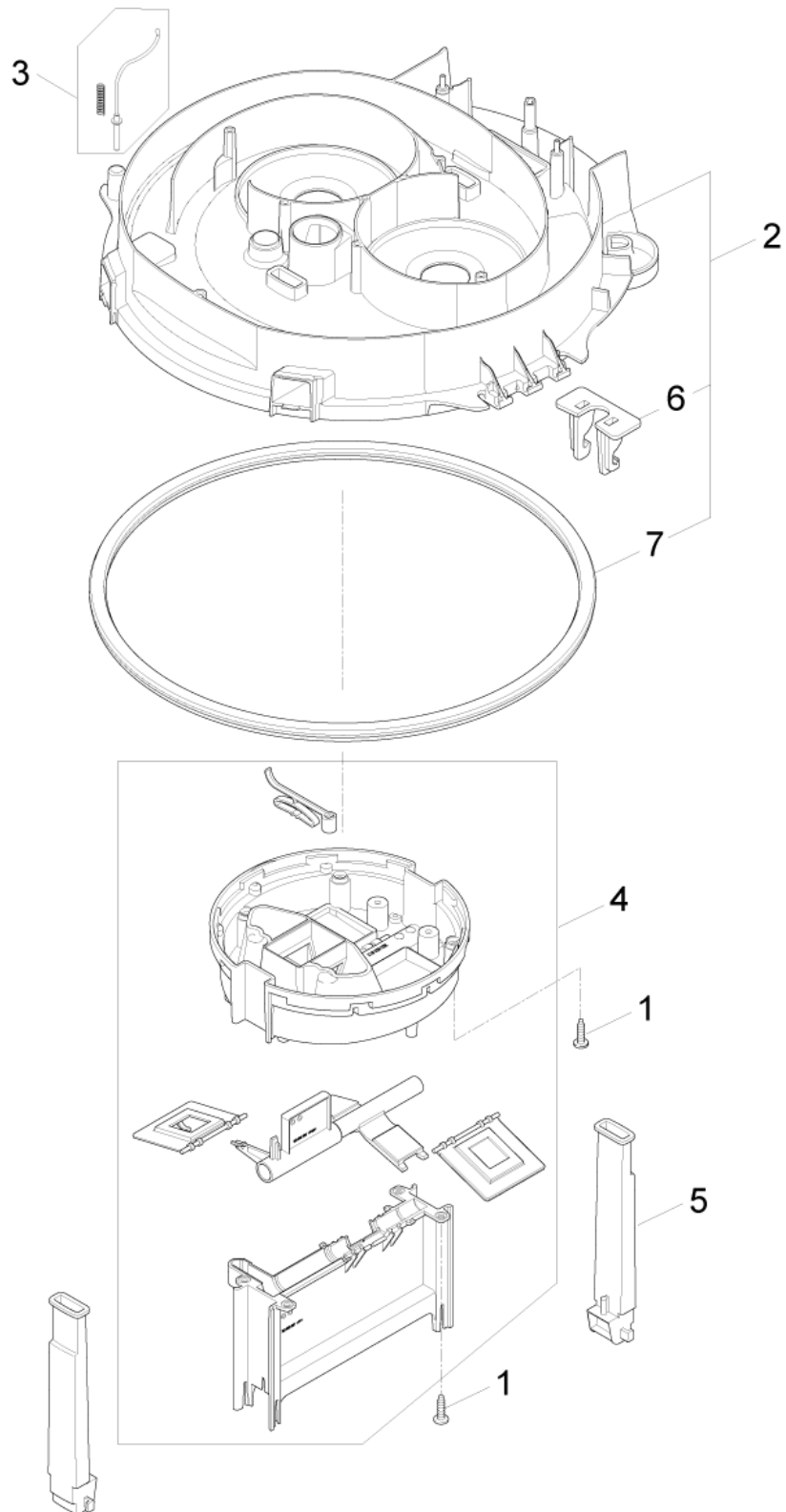
## Part Notes:

- [1] - Up to serial number 3510174903232
- PB-COM-LI-2018-002 ATTIX 965 H-M, IVB 965 H-M\_New Electronics  
DE PB-LI-2018-002 ATTIX-IVB 965 M-H Neue Platinenversion
- [2] - From serial number 3510174903232
- PB-COM-LI-2018-002 ATTIX 965 H-M, IVB 965 H-M\_New Electronics  
DE PB-LI-2018-002 ATTIX-IVB 965 M-H Neue Platinenversion



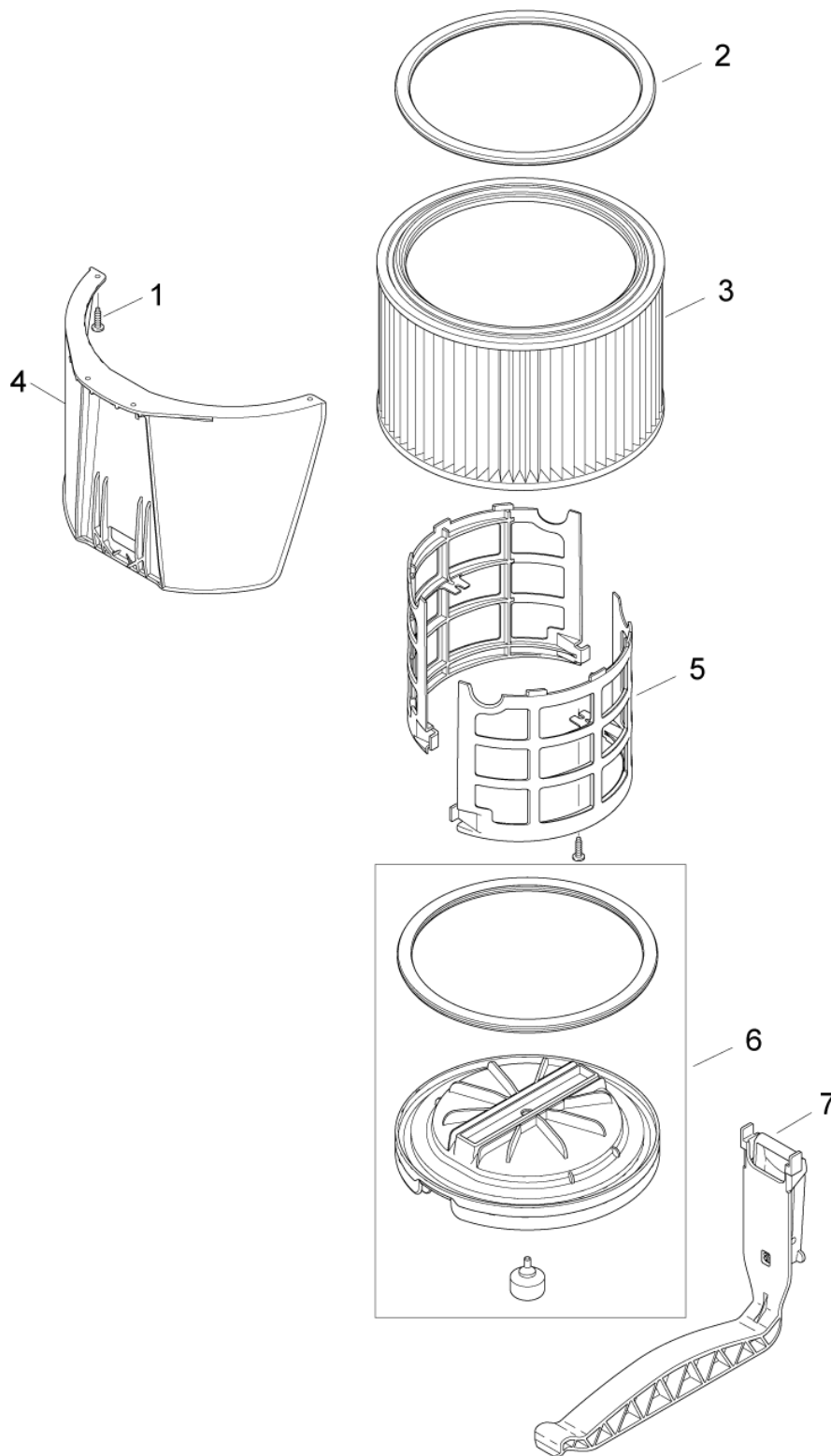
---

Pos.	Product no	QTY	Description	Notes
1	302003319	1	SCREW KIT ATTIX/IVB	
2	302003598	1	BASE PLATE XC	
3	107402835	1	CONTACT SPRING WIRE AND FASTON	
4	302003422	1	FILTER CLEAN SYSTEM XC	
5	302000514	2	GASKET	
6	107413313	1	FIXTURE 72X32X52 - KIT	
7	302001432	1	GASKET CONTAINER	



---

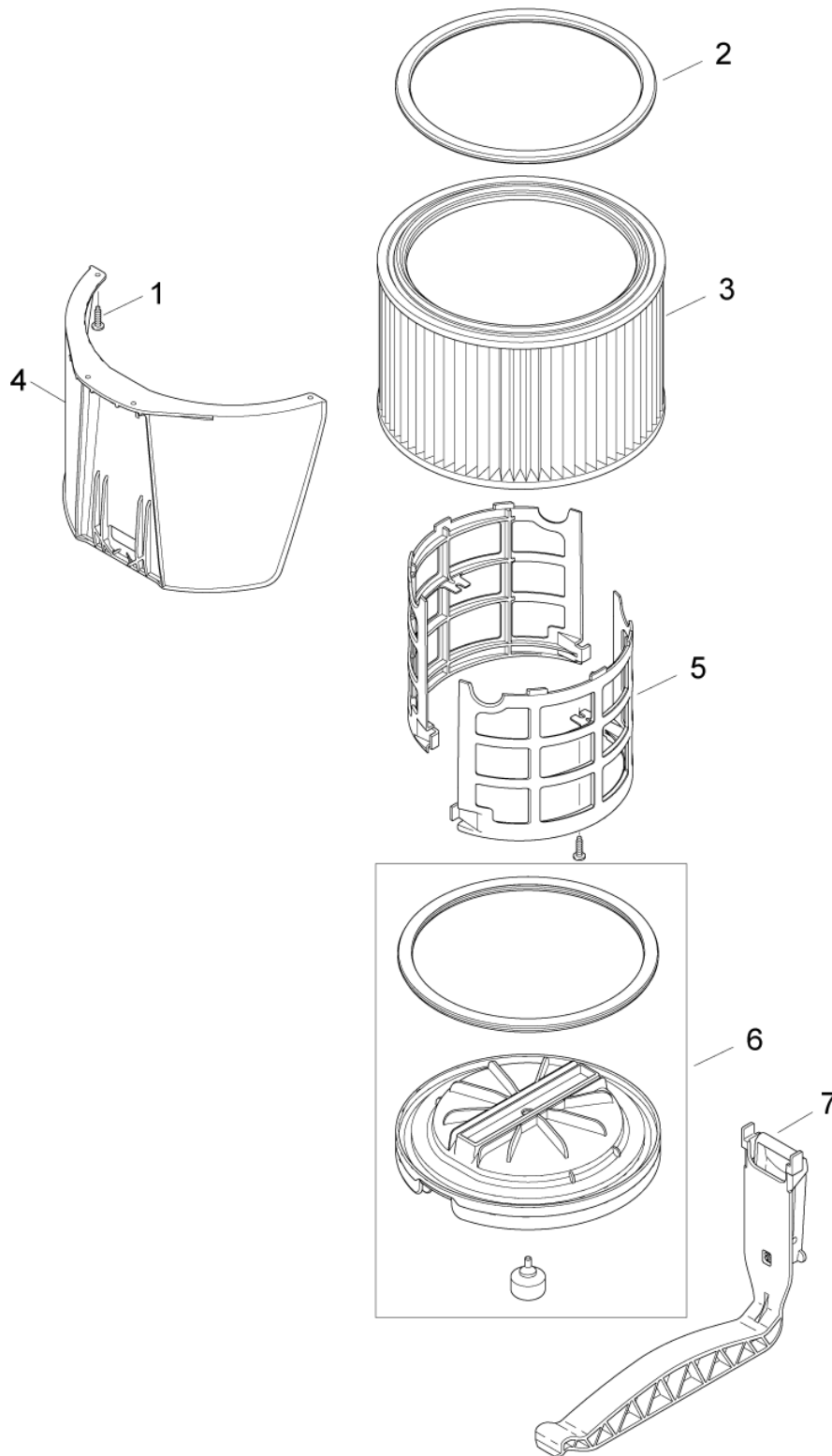
Pos.	Product no	QTY	Description	Notes
1	302003319	1	SCREW KIT ATTIX/IVB	
2	302003598	1	BASE PLATE XC	
3	107402835	1	CONTACT SPRING WIRE AND FASTON	
4	302003422	1	FILTER CLEAN SYSTEM XC	
5	302000514	2	GASKET	
6	107413313	1	FIXTURE 72X32X52 - KIT	
7	302001432	1	GASKET CONTAINER	



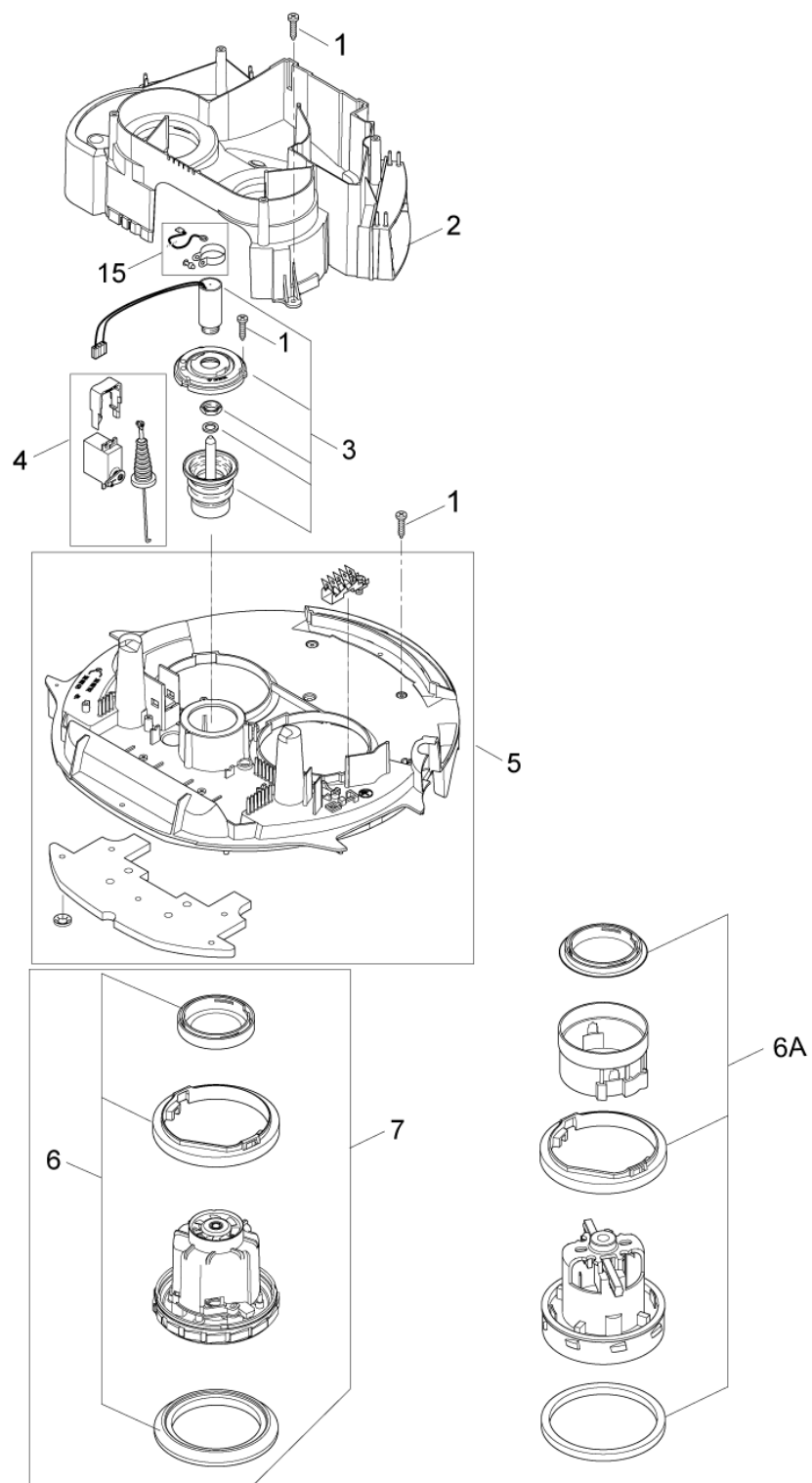
Pos.	Product no	QTY	Description	Notes
1	302003319	1	SCREW KIT ATTIX/IVB	[1]
1	302003376	1	SCREW KIT	[2]
2	302000697	1	GASKET FILTER CR	
3	107400562	1	FILTER ELEMENT D275X187 PET NANO M-CLASS	
4	107402640	1	DEFLECTOR 318X180X212 KIT	
5	302000385	1	FILTER SUPPORT CAGE 216X97X177 PE	
6	107402653	1	FILTER RETAINING PLATE D251	
7	107402651	1	TENSION JACK	

## Part Notes:

- [1] - BASIC
- [2] - SD XC



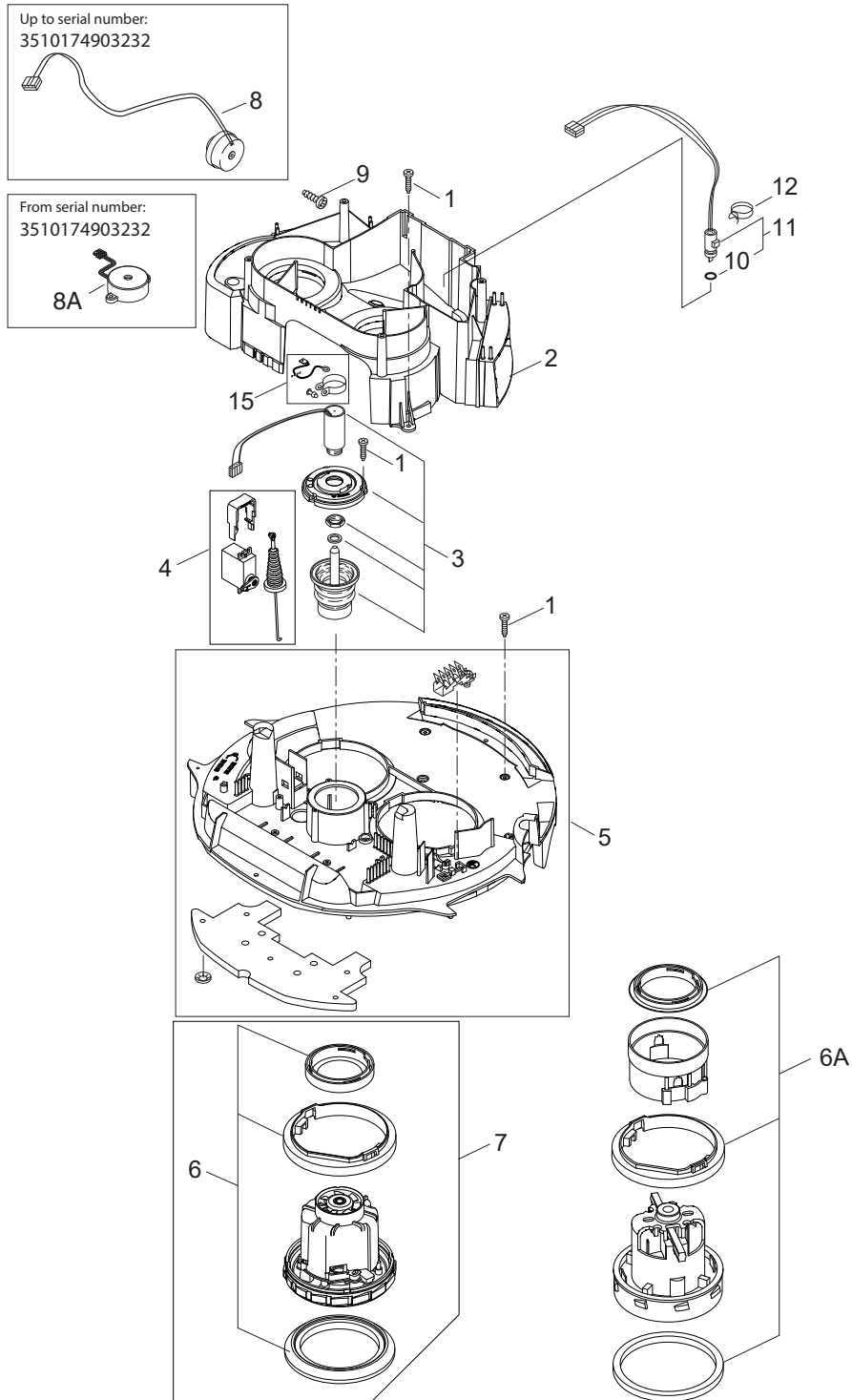
Pos.	Product no	QTY	Description	Notes
1	302003376	1	SCREW KIT	
2	302000697	1	GASKET FILTER CR	
3	107400564	1	FILTER ELEMENT D275X187 H-CLASS	
3	107400562	1	FILTER ELEMENT D275X187 PET NANO M-CLASS	
4	107402640	1	DEFLECTOR 318X180X212 KIT	
5	302000385	1	FILTER SUPPORT CAGE 216X97X177 PE	
6	107402653	1	FILTER RETAINING PLATE D251	
7	302001139	1	TENSION JACK H	



Pos.	Product no	QTY	Description	Notes
1	302003319	1	SCREW KIT ATTIX/IVB	
2	107400043	1	AIRGUIDE ATTIX 9 KIT	
3	107400291	1	MAGNET 24V FPR 230V MACHINE	
4	302003421	1	SERVO MOTOR	
5	302003423	1	CLAMPING PLATE XC	
6	302003385	1	SEALING KIT R	
6A	302003390	1	SEALING KIT S	
7	302003386	1	MOTOR KIT 1000W 230V	
7	302003388	1	MOTOR KIT 1000W 120V	
7	302003384	1	MOTOR KIT 1200W 230V	
15	107402836	1	EARTH CLIP FOR MAGNET - KIT	[1]

Part Notes:

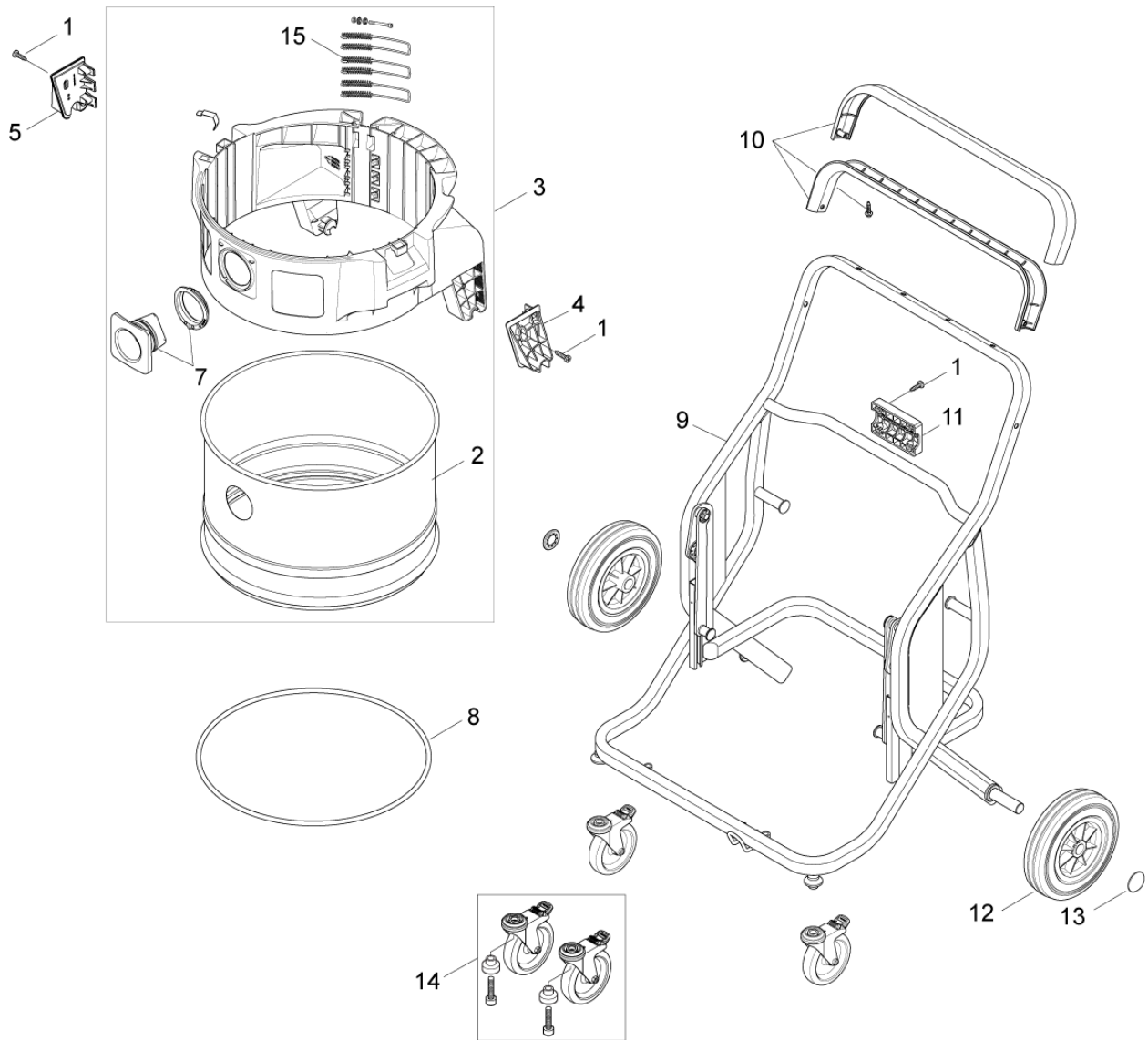
[1] - STOCK COVERS GUARANTEE



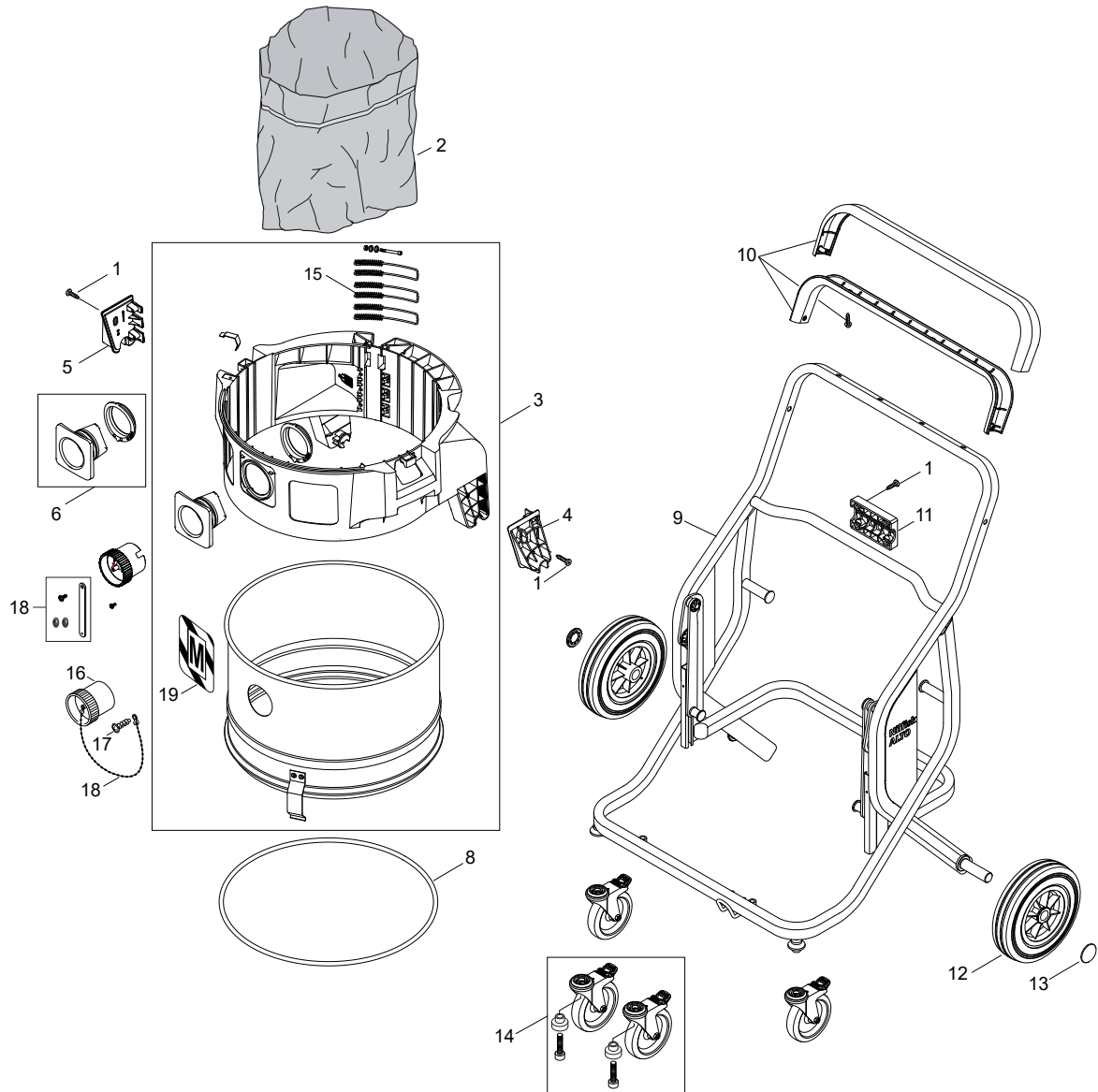
Pos.	Product no	QTY	Description	Notes
1	302003319	1	SCREW KIT ATTIX/IVB	
2	107400043	1	AIRGUIDE ATTIX 9 KIT	
3	107400291	1	MAGNET 24V FPR 230V MACHINE	
4	302003421	1	SERVO MOTOR	
5	302003423	1	CLAMPING PLATE XC	
6	302003390	1	SEALING KIT S	
6A	302003385	1	SEALING KIT R	
7	302003386	1	MOTOR KIT 1000W 230V	
7	302003388	1	MOTOR KIT 1000W 120V	
7	302003384	1	MOTOR KIT 1200W 230V	
8	107400579	1	PIEZO BUZZER	[1]
8A	107416958	1	BUZZER KIT1	[2]
9	14418	1	SCREW 4.2X13 ISO 7049	
10	55416	1	O-RING 4.0X1.5 NBR70	
11	302000428	1	ELECTRONICS FLOW SENSOR SET 1	
12	107400578	1	HOSE CLAMP D10	
15	107402836	1	EARTH CLIP FOR MAGNET - KIT	[3]

Part Notes:

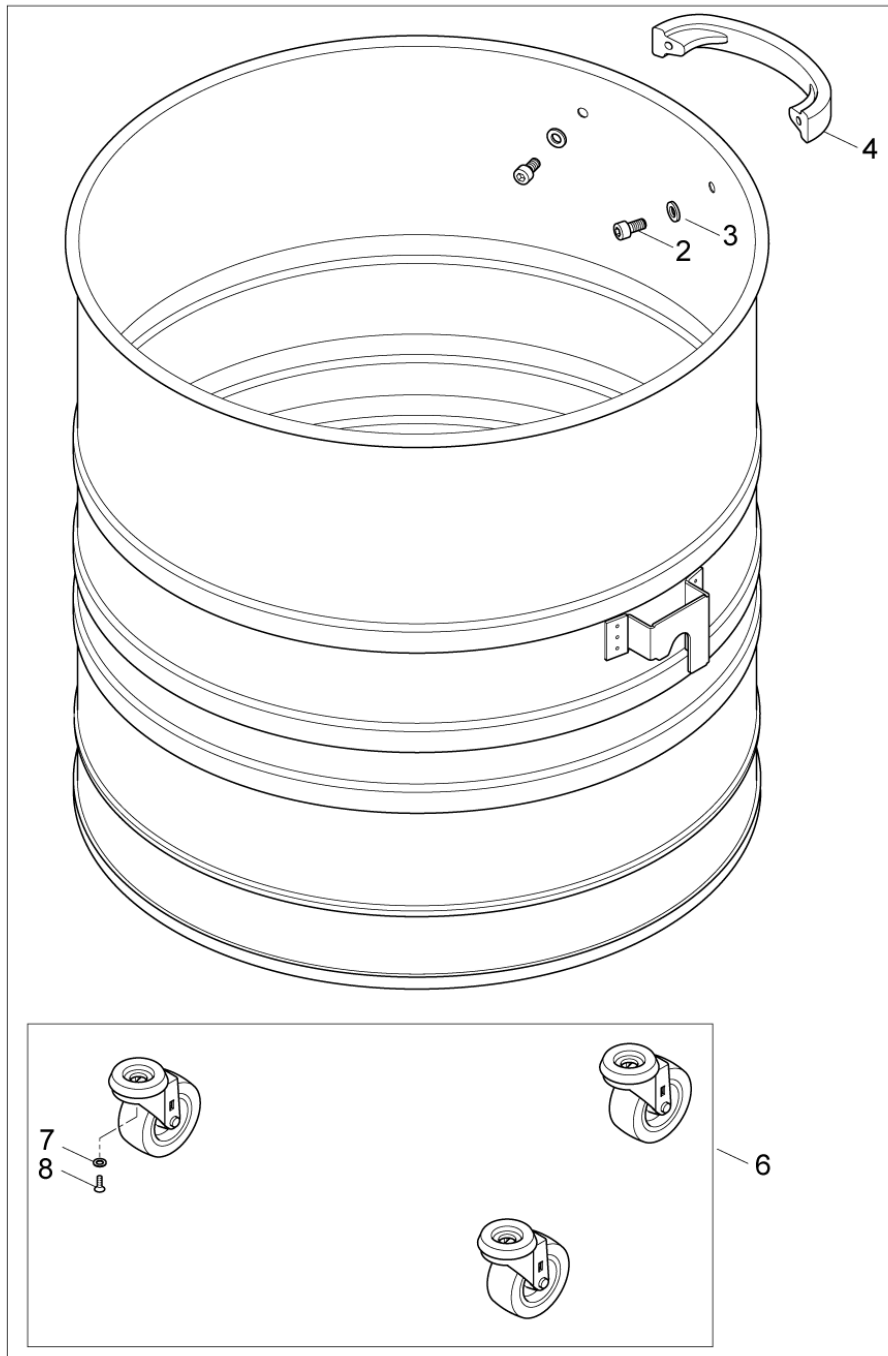
- [1] - Up to serial number 3510174903232  
PB-COM-LI-2018-002 ATTIX 965 H-M, IVB 965 H-M\_New Electronics
- [2] - From serial number 3510174903232  
PB-COM-LI-2018-002 ATTIX 965 H-M, IVB 965 H-M\_New Electronics
- [3] - STOCK COVERS GUARANTEE



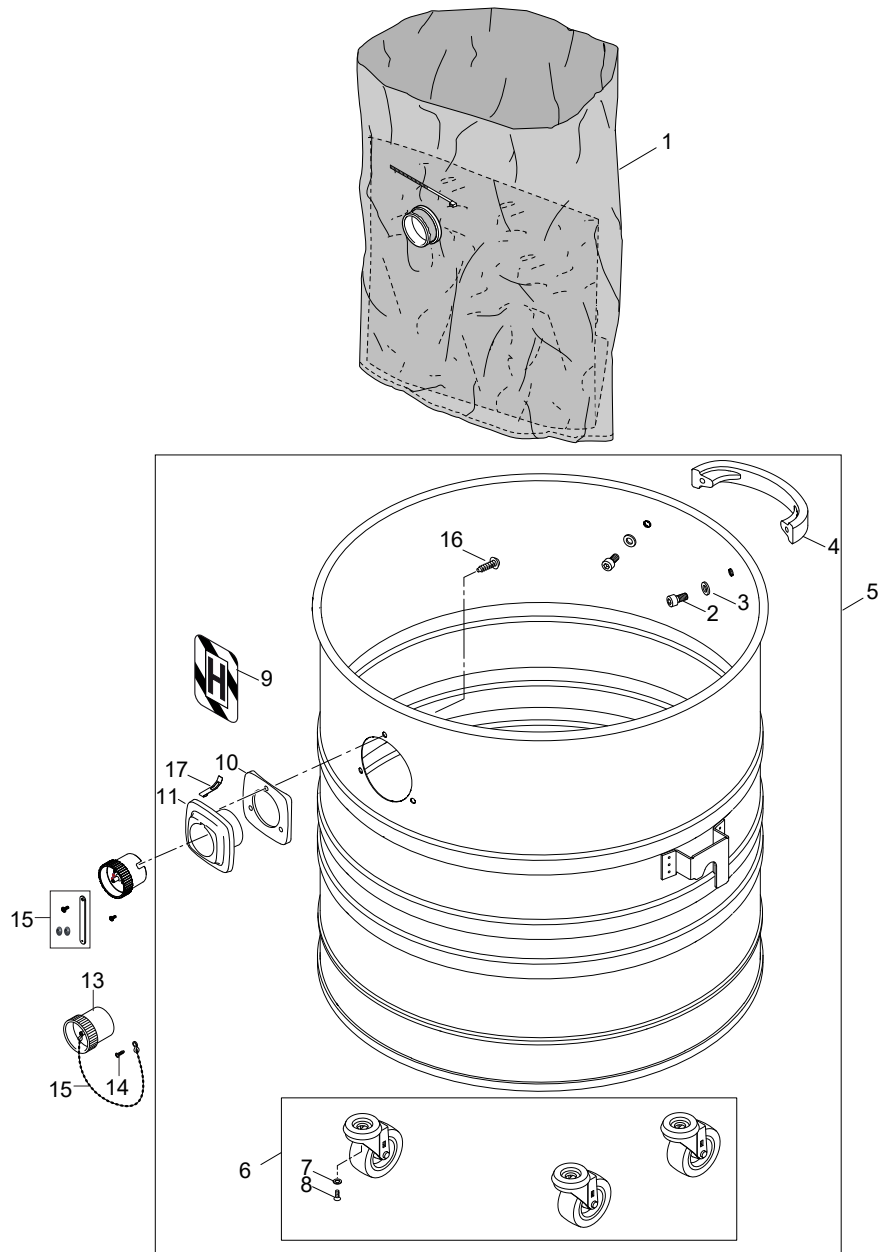
Pos.	Product no	QTY	Description	Notes
1	302003319	1	SCREW KIT ATTIX/IVB	
2	302002580	1	CONTAINER RING	
3	302003420	1	BELT KIT IVB9	
4	302002895	1	FITTING PLATE RH	
5	302002896	1	FITTING PLATE LH	
7	302003380	1	INLET FITTING KIT ATTIX 9/IVB9	
8	302002608	1	GASKET D8 X D394	
9	302003087	1	PREASSEMBLED SD CHASSI	
10	302003418	1	HANDLE KIT	
11	302002769	1	SD CHASSIS MOUNT	
12	107401077	2	WHEEL 200X50 KIT	
13	3750	2	WHEEL CAP D20	
14	107401054	1	CASTOR TURNABLE WITH BRAKE KIT	
15	909100383	1	SPRING 1.40X7.5X113	



Pos.	Product no	QTY	Description	Notes
1	302003319	1	SCREW KIT ATTIX/IVB	
2	302001480	1	DISPOSAL BAG ATTIX 7 5 PCS	
3	302003714	1	METALBELT SD-H IVB9	
4	302002895	1	FITTING PLATE RH	
5	302002896	1	FITTING PLATE LH	
6	302003380	1	INLET FITTING KIT ATTIX 9/IVB9	
8	302002608	1	GASKET D8 X D394	
9	302003087	1	PREASSEMBLED SD CHASSI	
10	302003418	1	HANDLE KIT	
11	302002769	1	SD CHASSIS MOUNT	
12	107401077	2	WHEEL 200X50 KIT	
13	3750	2	WHEEL CAP D20	
14	107401054	1	CASTOR TURNABLE WITH BRAKE KIT	
15	909100383	1	SPRING 1.40X7.5X113	
16	14775	1	HOSE INLET PLUG 50MM	
17	24738	1	SCREW KA35X 8 WN1411	
18	107419668	1	RUBBER STRAP KIT	
18	30081	1	BEAD CHAIN 150MM WITH EYES ST/	
19	302003710	1	LABEL WARNING M 80X80	



Pos.	Product no	QTY	Description	Notes
0-	302003319	1	SCREW KIT ATTIX/IVB	
2	14664	2	RAISED DOME HEAD SCREW M6X12 DIN 7985 A2	
3	14805	2	WASHER 6.4X1.6 X 18 A ISO 7093-1 VA	
4	14663	1	BOW-TYPE HANDLE M6 TURBO-D	
5	302002579	1	CONTAINER SD	
6	107401920	1	CASTER D50X20 H64 KIT	
7	6100718	3	WASHER 10X16X1	
8	24310	3	COUNTERSUNK SCREW M8X16	



Pos.	Product no	QTY	Description	Notes
1	302003473	1	SAFETY FILTER BAG H ATTIX 9. 5 PCS	
2	14664	2	RAISED DOME HEAD SCREW M6X12 DIN 7985 A2	
3	14805	2	WASHER 6.4X1.6 X 18 A ISO 7093-1 VA	
4	14663	1	BOW-TYPE HANDLE M6 TURBO-D	
5	302003713	1	CONTAINER FOR INTAKEFITTING SD	
6	107401920	1	CASTER D50X20 H64 KIT	
7	6100718	3	WASHER 10X16X1	
8	24310	3	COUNTERSUNK SCREW M8X16	
9	302003709	1	LABEL WARNING H 80X80	
10	11167	1	ADAPTER RING PVC	
11	11180	1	INLET FITTING DN50 PA	
13	14775	1	HOSE INLET PLUG 50MM	
14	24738	2	SCREW KA35X 8 WN1411	
15	30081	1	BEAD CHAIN 150MM WITH EYES ST/	
15	107419668	1	RUBBER STRAP KIT	
16	302004029	3	SCREW PT50X18	
17	17742	1	CONTACT SPRING B1 VA	



Pos.	Product no	QTY	Description	Notes
1	7993	1	BRUSH STRIP 1 PCS FOR FIXED NOZZLE	[1]
2	10950200	1	ROUND BRUSH BLACK FOR 38MM BRUSH 70M	[2]
3	107400562	1	FILTER ELEMENT D275X187 PET NANO M-CLASS	
3	107400564	1	FILTER ELEMENT D275X187 H-CLASS	
4	302002894	1	CLOTH FILTER INSERT	
5	29457	1	ADAPTER TUBE STRAIGHT AS Ø36MM	
6	302002796	1	UNI. SUCTION HOSE Ø38X4000MM EVA	
7	302002889	1	CURVED HAND TUBE D38 MM SS	
8	15339	1	EXTEN TUBE THERMAL INSULATE Ø38X2000MM	
9	15340	1	EXTEN TUBE THERMAL INSULATE Ø38X2500MM	
10	6079	1	OVEN NOZZLE 350X Ø 38MM TEFLON	[3]
11	63380	1	OVEN NOZZLE 400X Ø38MM	
12	64930	1	SCRAPER FOR 63380	
13	6080	1	SPARE SCRAPER FOR 6079	[4]
14	8054	1	PIPE CLEAN NOZZLE Ø38 R120-200MM	
15	7964	1	PIPE CLEAN NOZZLE Ø38 R70-120MM	
16	302002884	1	TOOL ADAPTER 38/50 MM	
17	15815	1	AS HOSED50X4000MM	

Part Notes:

- [1] - PRUNED DUE TO LOW SALES
- [2] - 4072400262 antistatic version
- [3] - ALTERNATIVE USE 63380
- [4] - PRUNED ACCESSORY



# RECOMMENDED SPARE PARTS

IVB 965-2H/M SD XC

2017.11.02

2016.06.06

Pos.	Product no	QTY	Description	Notes
01	17742	1	CONTACT SPRING B1 VA	
01	107400562	1	FILTER ELEMENT D275X187 PET NANO M-CLASS	
01	107400575	1	TURNING KNOB FOR POTI - BLACK	
01	107401920	1	CASTER D50X20 H64 KIT	
01	302000697	1	GASKET FILTER CR	
01	302003386	1	MOTOR KIT 1000W 230V	
01	302003384	1	MOTOR KIT 1200W 230V	
01	24738	1	SCREW KA35X 8 WN1411	
01	302003397	1	MOTOR COOLING DIFFUSER ATTIX9 / IVB9	
01	302000428	1	ELECTRONICS FLOW SENSOR SET 1	
01	302002608	1	GASKET D8 X D394	
01	302003423	1	CLAMPING PLATE XC	
01	107401054	1	CASTOR TURNABLE WITH BRAKE KIT	
01	302003390	1	SEALING KIT S	
01	107413313	1	FIXTURE 72X32X52 - KIT	
01	302002788	1	LTG NETZ H07RN-F3G1.5X10.6M	
01	302002789	1	CABLE 10.6 METER CH	
01	302003402	1	DISPLAY I-0-II XC IVB9 SET-1	
01	107402653	1	FILTER RETAINING PLATE D251	
01	107400007	1	ELECTRO. I-0-II XC 230V	
01	30081	1	BEAD CHAIN 150MM WITH EYES ST/	
01	302003074	1	LABEL CONTROL PANEL IVB9	
01	302003421	1	SERVO MOTOR	
01	302003708	1	ELECTRONICS AUTO-0-1 XC FLOW	
01	3750	1	WHEEL CAP D20	
01	302001432	1	GASKET CONTAINER	
01	302002769	1	SD CHASSIS MOUNT	
01	302003473	1	SAFETY FILTER BAG H ATTIX 9. 5 PCS	
01	107401077	1	WHEEL 200X50 KIT	
01	107400043	1	AIRGUIDE ATTIX 9 KIT	
01	302003383	1	CLAMP KIT ATTIX 9/IVB 9	
01	302001480	1	DISPOSAL BAG ATTIX 7 5 PCS	
01	302002790	1	LTG NETZ H07BQ-F3G2.5X10.8M CE	
01	302003388	1	MOTOR KIT 1000W 120V	
01	302004034	1	SOCKET 16A/250V EU	
01	107400579	1	PIEZO BUZZER	
01	302003425	1	HOOD KIT	
01	302002791	1	WIRE NETZ H07RN-F3G1.0X10.8M	
01	11180	1	INLET FITTING DN50 PA	
01	302000429	1	ELECTRONIC POTENTIOMETER	
01	302003385	1	SEALING KIT R	
01	107402835	1	CONTACT SPRING WIRE AND FASTON	
01	302000385	1	FILTER SUPPORT CAGE 216X97X177 PE	
01	107402666	1	POWERCORD 1.5X10.8M CEE7 EU	
01	14775	1	HOSE INLET PLUG 50MM	
01	302002590	1	HANDLE BAR BLACK PP	
01	302000514	1	GASKET	
01	107400564	1	FILTER ELEMENT D275X187 H-CLASS	
01	302003598	1	BASE PLATE XC	
01	302003710	1	LABEL WARNING M 80X80	
01	302003398	1	EXHAUST AIR FILTER ATTIX9/IVB9	
01	302002896	1	FITTING PLATE LH	
01	302003709	1	LABEL WARNING H 80X80	
01	107400291	1	MAGNET 24V FPR 230V MACHINE	
01	302003422	1	FILTER CLEAN SYSTEM XC	
01	24310	1	COUNTERSUNK SCREW M8X16	
01	302001139	1	TENSION JACK H	
01	107402651	1	TENSION JACK	
01	302002895	1	FITTING PLATE RH	

# RECOMMENDED SPARE PARTS

IVB 965-2H/M SD XC

2017.11.02

2016.06.06

---

<b>Pos.</b>	<b>Product no</b>	<b>QTY</b>	<b>Description</b>	<b>Notes</b>
01	302003380	1	INLET FITTING KIT ATTIX 9/IVB9	
01	909100231	1	TURNING KNOB GR.1 6X5 PP SILVER GREY	
01	14663	1	BOW-TYPE HANDLE M6 TURBO-D	
01	11167	1	ADAPTER RING PVC	

