

# PARTS LIST

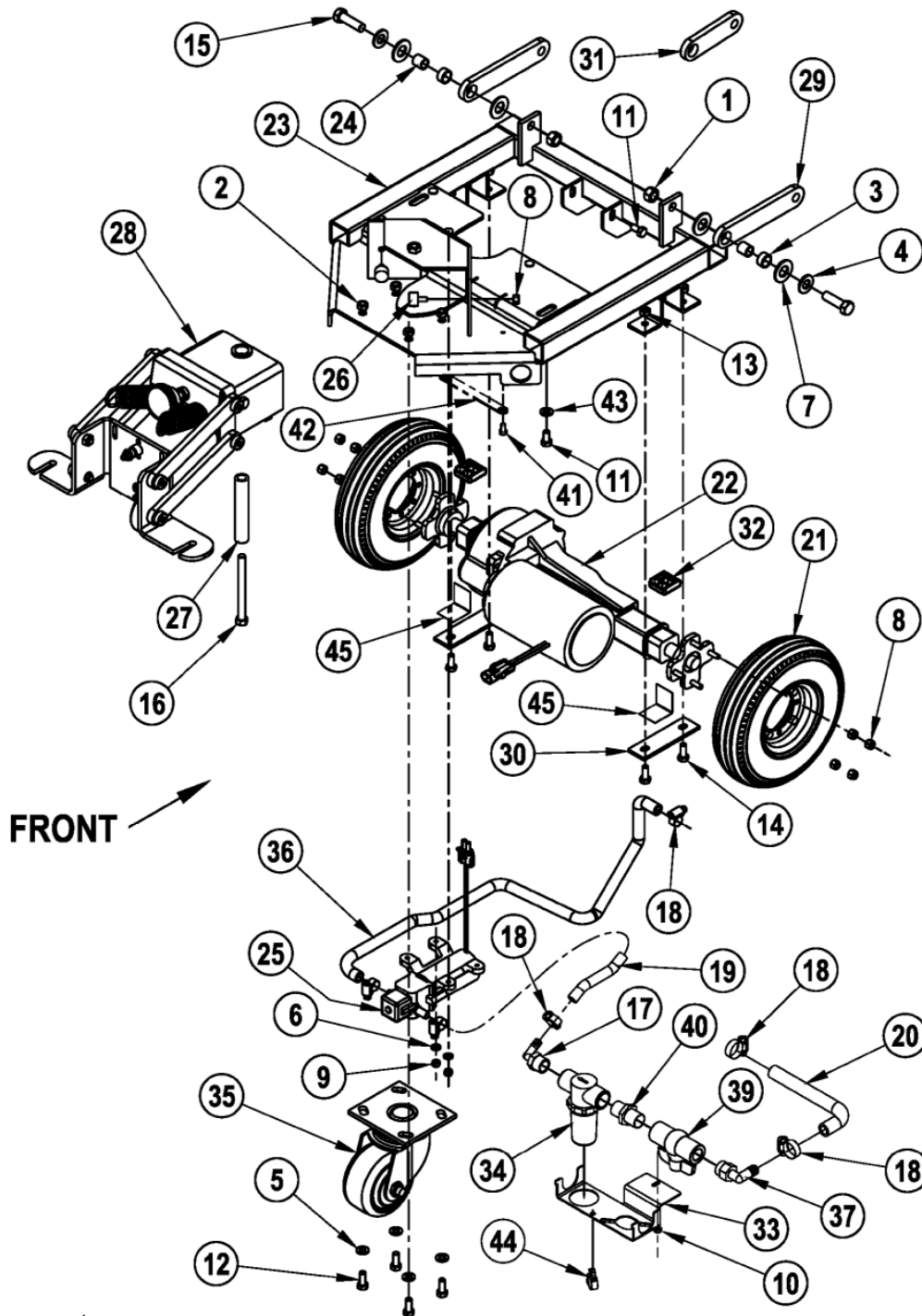


2021.11.17

# TABLE OF CONTENTS

---

Chassis system .....	1
Chassis system - Squeegee linkage assy.....	4
Decal system.....	6
Recovery system.....	8
Scrub system - disk (BA 625/725) .....	10
Scrub system - disk (BA 625/725) - old parts.....	13
Scrub system - disk (BA 625/725/825).....	15
Scrub system - Cylindrical.....	17
Solution system / electrical-1.....	20
Solution system / electrical-2.....	23
Paddle assembly.....	26
Squeegee assembly 1.....	28
Squeegee assembly 2.....	30
Wiring diagram - before September 2009.....	32
Wiring diagram - after August 2009.....	35
Optional kits and accessories.....	38
Brush selector guide-disk.....	41
Brush selector guide-cylindrical.....	43
56315168 - Extended Scrub 24V Kit.....	45
56315312 - Squeegee Wand Kit.....	47
56315845 - EDS Onboard Chemical Kit.....	49
56315846 - Battery Charger Kit.....	51
56315860/56315863 - BA 625 / 825 Disk Kit.....	53
56315861/56315862 - BA 725 Disk Kit / BA 725C Cyl. Kit.....	55
56315767 - Squeegee Linkage Kit.....	57
56380497 - Transaxle Kit 24 V.....	59
56380503 - Transaxle Hub Kit.....	61



Resource notes:

NOTE 1: Used on all models before SN 2062812. NOTE 2: Used on all models after SN 2062812. NOTE 3: Only used on machines between the following serial numbers; All models between SN 2062812 & 2063621. NOTE 4: 56315260(Bracket), 56315607(Ball Valve) & 56412182(Nipple) are no longer used in production and no longer available. If you need to replace any of these items please order Ball Valve Bracket Kit 56381521.

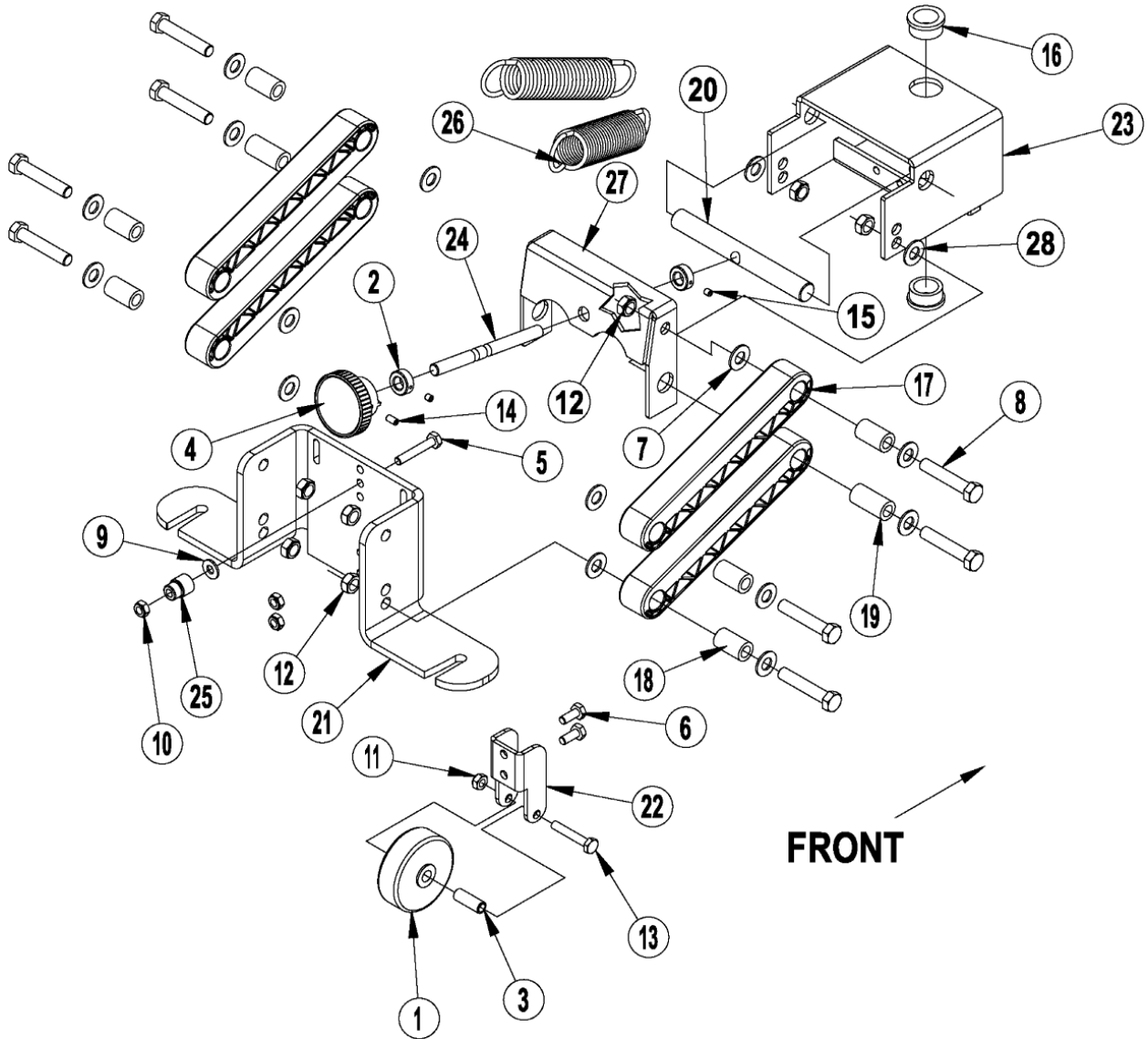
Pos.	Product no	QTY	Description	Notes
01	56003312	2	NUT HEX NYL LOC M12-1.75	
02	56003389	4	NUT HEX NYL-LOC M8X1.25	
03	56370878	2	BEARING SLEEVE .627CV213FE0202	
04	56001879	2	WSH FLT SAE 1/2	
05	56001939	4	WSH FLT SAE 5/16	
06	56001954	2	WSH FLT SAE 10	
07	56002022	4	WSH FLT SAE 5/8	
08	56002708	10	NUT HEX NYL LOC 1/4-20	
09	56002768	2	NUT HEX NYL LOC 10-24	
10	56002832	1	NUT HEX NYL LOC-THIN 10-24	
11	56003012	3	SCR HEX SS 5/16-18 X .75	
12	56003179	4	SCR HEX THD/HD M8-1.25X20MM	
13	56003405	4	NUT HEX NYL LOC SS M8X1.25	
14	56003435	4	SCR HEX SS M8-1.25X20MM	
15	56003637	2	SCR HEX M12-1.75 X 40MM	
16	56009241	1	SCR HEX 3/8-16X4.25	
17	56900033	1	ELBOW BARB E00037	
18	56219932	6	CLAMP HOSE SAE 6 E00047	
19	56244991	1	TUBE PVC .375X15 E00552	[1]
20	56262180	1	HOSE SPIRAL .50 X 7 E00604	
21	56315115	2	WHEEL DRIVE	[2]
22	56315379	2	MOUNTING SLEEVE NEOPRENE	[3]
22	56380497	1	KIT TRANSAXLE 24V	[4]
22	56382670	1	KIT TRANSAXLE MOTOR	[3]
22	56315062	1	TRANSAXLE 24V	[5]
22	56380503	1	KIT HUB TRANSAXLE 24V	[3]
22	56380161	1	KIT-COUPLING	
22	56315378	4	BRUSH KIT SET OF 4	[3]
23	56315076	1	WELDMENT CHASSIS	[6]
24	56315080	2	BUSHING	
25	56315108	1	PUMP 24V	[7]
26	56315111	2	CYLINDRICAL MOUNT	
27	56315154	1	BUSHING SPACER	
28	56315165	1	ASSEMBLY SQUEEGEE LINKAGE	
29	56315179	2	LINKAGE ARM	
30	56380499	2	PLATE TRANSAXLE	[8]
30	56380499	2	PLATE TRANSAXLE	[9]
31	56109540	1	PIVOT WELDMENT KIT	[10]
32	56315258	2	SHIM	
33	56381521	1	KIT-BALL VALVE BRACKET	
33	56381476	1	BRACKET FILTER MOUNT	
34	56315296	1	SOLUTION FILTER	
35	56365555	1	CASTER SWIV 4.0X2.0	
36	56391802	1	HOSE E00603	
37	56409152	1	BARB 90 1/2 NPTX1/2 E00037	
39	56381521	1	KIT-BALL VALVE BRACKET	
39	56381475	1	BALL VALVE	
40	56381474	1		
40	56412182	1	COUPLING-1/2NPT TO 1/2NPT	
41	56009030	1	SCR PAN PHIL THD FOM 10-24X.38	
42	56467544	1	CHAIN ASSEMBLY	
43	56002220	2	WSH FLT STD 5/16	
44	56900756	1	CLIP E00360	
45	56380496	2	SHIM ANGLE TRANSAXLE	[11]

## Part Notes:

- [1] - GUARANTEE DATE EXPIRED
- [2] - TSBUS2006-941TSB US 2006-941. Improved tire
- [3] - NOT SHOWN

- [4] - NOT SHOWN - TSBUS2008-1014
- [5] - M1 - TSB US 2008-1014. Available of the field repair kit
- [6] - TSBUS2005-895  
GUARANTEE DATE EXPIRED
- [7] - M8
- [8] - Used on all models after SN 2062812.
- [9] - Used on all models before SN 2062812.
- [10] - ONLY USED BEFORE MAY 2007
- [11] - STOCK COVERS GUARANTEE

Only used on machines between the following serial numbers; All models between SN 2062812 2063621.



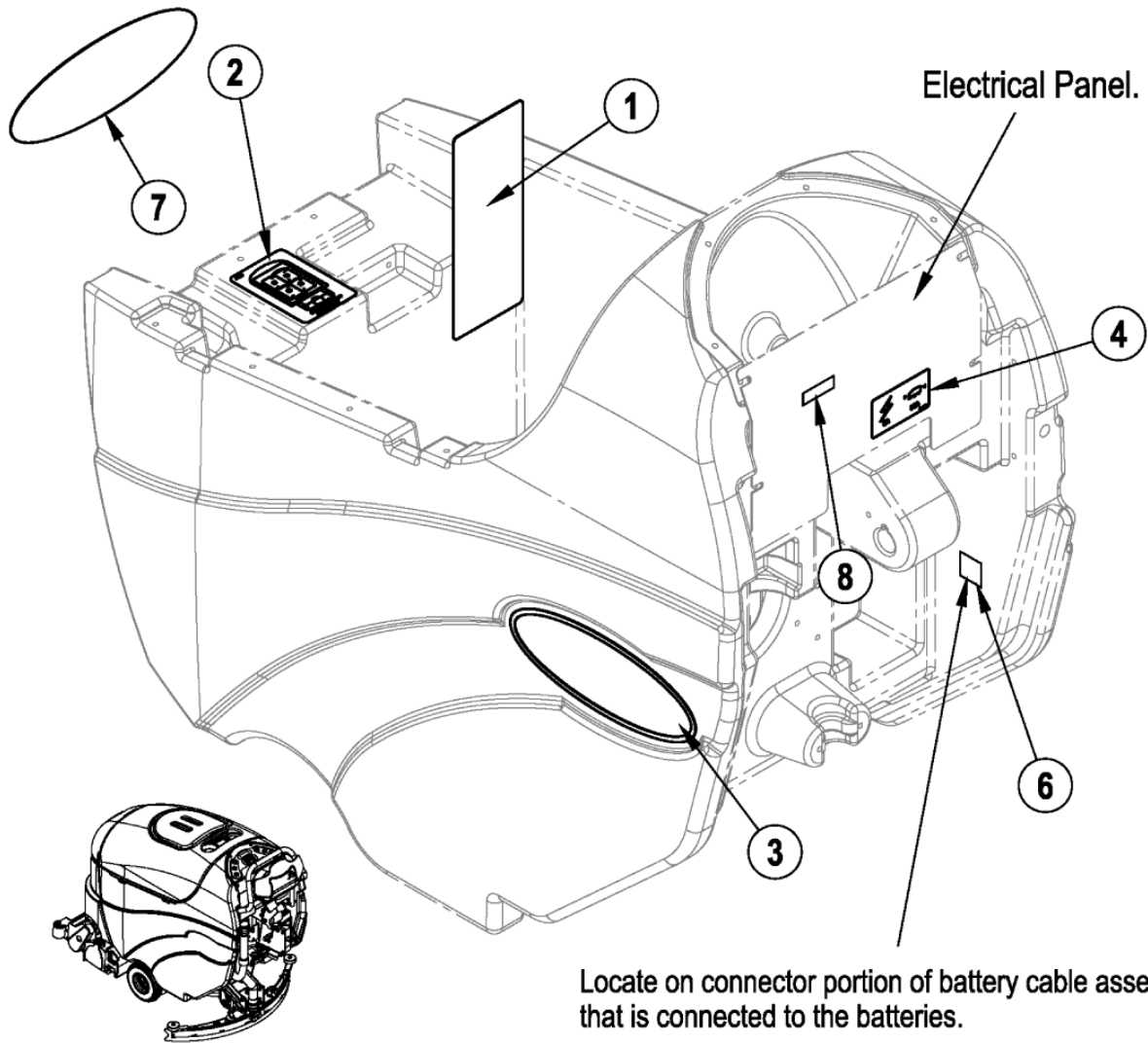
## Chassis system - Squeegee linkage assy

BA 725 C

2017.11.02

2013.04.02

Pos.	Product no	QTY	Description	Notes
	56315165	1	ASSEMBLY SQUEEGEE LINKAGE	
01	56324350	1	WHEEL	
02	56331076	2	COLLAR .38X.75X.31 HC611C	
03	56315580	1	BUSHING STAINLESS	
04	56475480	1	KNOB 2.00X.375 RE253C	
05	56001833	1	SCR HEX 1/4-20 X 1.50	
06	56001836	2	SCR HEX 1/4-20 X .62	
07	56002063	14	WSH FLT SAE 3/8	
08	56002091	8	SCR HEX 3/8-16 X 2.00	
09	56002098	1	H FLT SAE 1/4	
10	56002840	3	NUT HEX NYL LOC-THIN 1/4-20	
11	56002850	1	NUT HEX NYL LOC-THIN SS 1/4-20	
12	56002852	8	NUT HEX NYL LOC-THIN SS 3/8-16	
13	56002880	1	SCR HEX LOC SS 1/4-20 X 1.75	
14	56003123	1	SCR SOC SET 10-24 X .38	
15	56009084	2	SCR SOC SET LOC 10-24X.19	
16	56250414	2	BEARING FLANGE .752FA1J E00201	
17	56315941	4	LINKAGE ARM MOLDED	
18	56315067	6	SPACER PHENOLIC	
19	56315068	2	SPACER PHENOLIC	
20	56315082	1	PIN	
21	56315151	1	BRACKET SQUEEGEE MOUNT	
22	56315153	1	BRACKET WHEEL	
23	56315196	1	WELDMNT SQUEEGEE LIFT	
24	56315240	1	ROD ADJUSTMENT	
25	56315245	1	BUSHING SQUEEGEE CABLE	
26	56315295	2	SPRING EXTENSION	
27	56315713	1	BRACKET SQUEEGEE LEVEL	
28	56002940	2	WSH FLT SAE SS 5/8	

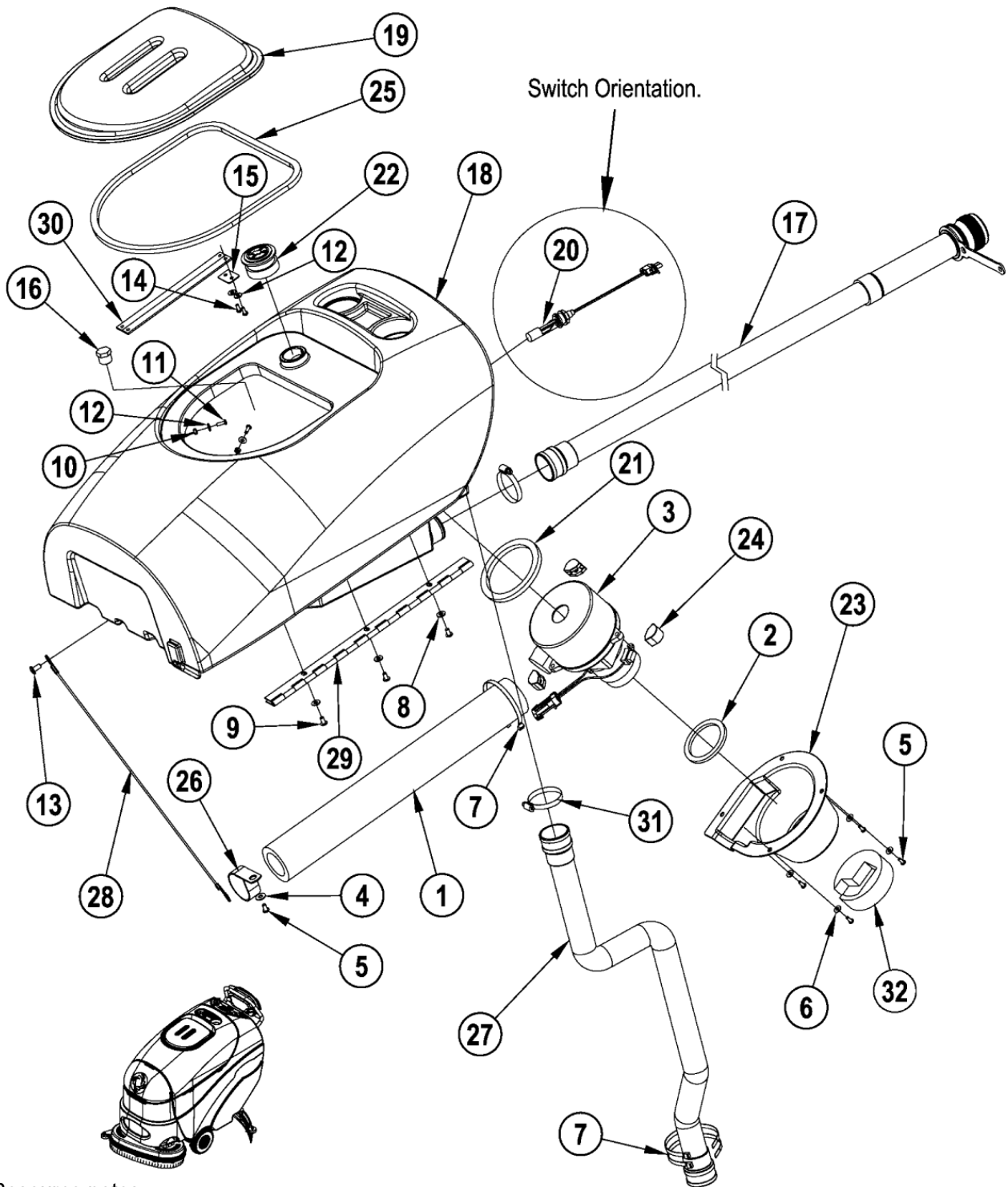


---

Pos.	Product no	QTY	Description	Notes
01	56014601	1	DECAL CAUTION	
02	56380515	1	DECAL BATTERY WIRING	[1]
03	56315832	2	DECAL BA 825	[2]
03	56315830	2	DECAL BA 625	[3]
03	56315831	2	DECAL BA 725	[1]
04	56016690	1	DECAL CIRCUIT BREAKER	
06	56054192	1	DECAL CHARGER WCA398K	
07	56317130	1	DECAL NILFISK	[4]
08	56014450	1	DECAL PATENT	

## Part Notes:

- [1] - SEE PI 2017-002
- [2] - EXPIRED NO REPLACEMENT
- [3] - NO LONGER AVAILABLE
- [4] - GUARANTEE DATE EXPIRED



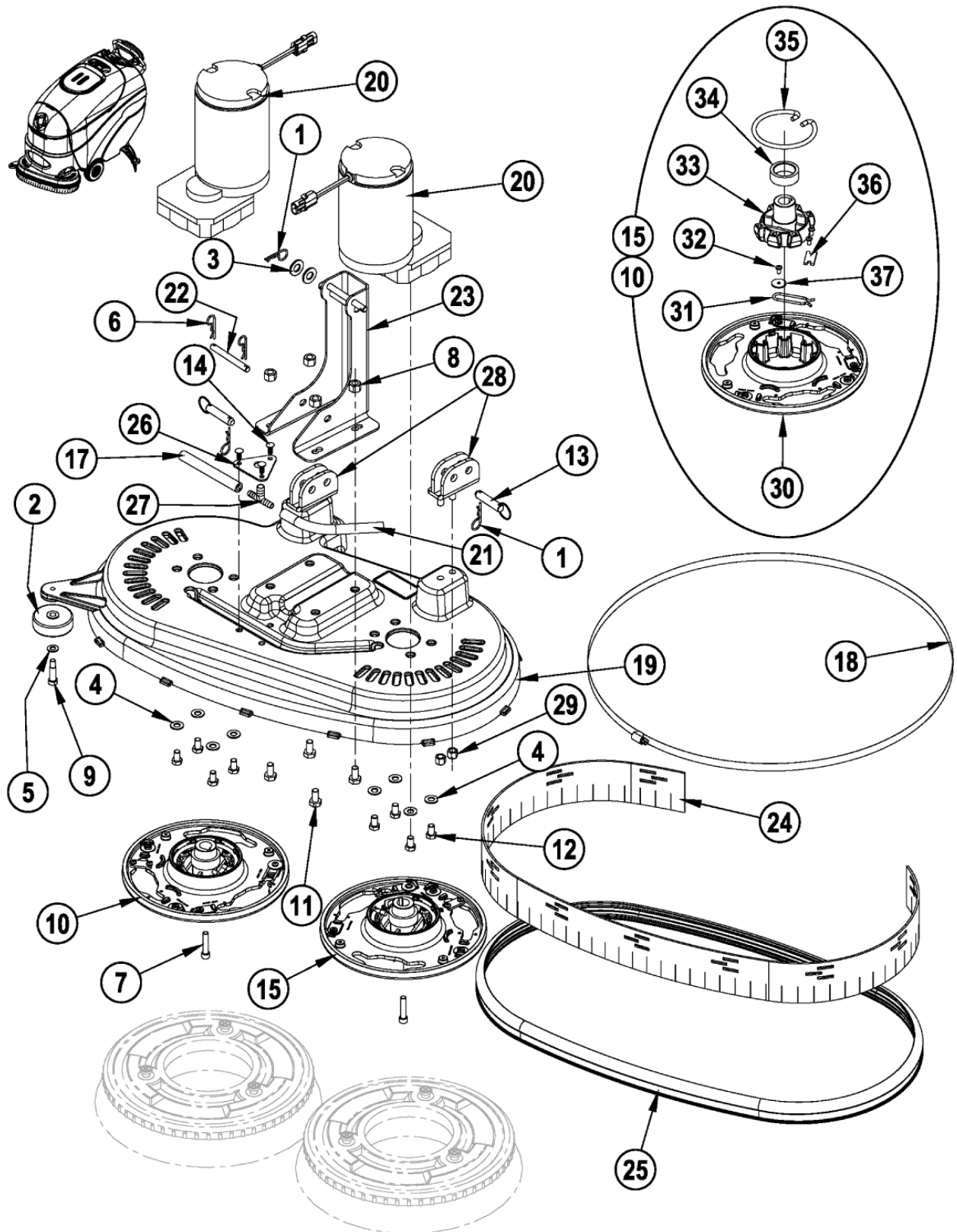
Resource notes:

NOTE 1: Not used after March 2008. NOTE 2: Drain Hose 56397142 has been replaced by Drain Hose 56601400 in production. When replacing 56397142 you need to order Drain Hose Kit 56601412. NOTE 3: If your vacuum motor has a serial tag from Lamb Electric (Ametek) order Carbon Brush Set 56397098. If your vacuum motor has a serial tag from Nilfisk-Advance order Carbon Brush Set 56380529.

Pos.	Product no	QTY	Description	Notes
01	56315847	1	FOAM TUBE ASSEMBLY	
02	56412154	1	GASKET VACUUM DUCT	
03	56380529	1	CARBON-BRUSH/SET OF 2	[1]
03	56412300	1	VAC MOTOR ASSY.	[2]
03	56397098	1	CARBON BRUSH SET	[1]
04	56001906	1	WSH FLT STD 1/4	
05	56001993	5	SCREW 10-24 X 0.5 ZINC PL	
06	56002053	4	WSH FLT STD 10	
07	56477613	3	CABLE TIE E00549 RE409S+	
08	56002098	3	H FLT SAE 1/4	
09	56002145	3	SCR PAN PHIL 1/4-20 X .50	
10	56002849	2	NUT HEX NYL LOC-THIN SS 10-24	
11	56002896	2	SCR PAN PHIL SS 10-24 X .62	
12	56002919	4	WSH FLT STD SS 10	
13	56003003	1	SCR PAN PHIL 5/16-18X.62	
14	56009005	2	SCR PANPHILS TYPE A 10-16X.75	
15	56315346	1	PLATE	
16	56305464	1	PLUG PIPE E00040	[3]
17	56601412	1	DRAIN HOSE KIT	[4]
17	56601411	1	DRAIN HOSE CAP KIT	[5]
17	56601410	1	DRAIN HOSE EXTENSION 11.5FT 3.5M	[6]
18	56315779	1	TANK RECOVERY	[7]
19	56315176	1	RECOVERY LID	
20	56315096	1	SWITCH FLOAT	[8]
21	56315098	1	GASKET VAC MOTOR	
22	56315099	1	SCREEN PIPE INLET	
23	56315102	1	SHROUD ONE VAC MOTOR	
24	56315141	3	MOUNT VIBRATION	
25	56315220	1	GASKET RECOVERY LID	
26	56315257	1	CLAMP P	
27	56315268	1	HOSE-VAC-1.5 X 52	
28	56315272	1	CABLE ASSEMBLY	
29	56315293	1	HINGE	
30	56315303	2	RETAINING STRAP	
31	56440213	2	CLAMP HOSE SAE 32E00047	
32	56315840	1	DUCT VAC INLET	[9]

## Part Notes:

- [1] - FOR 56412300 - NOTE 3 - NOT SHOWN
- [2] - (M4)
- [3] - NOTE 1
- [4] - NOTE 2 - OPTIONAL
- [5] - NOT SHOWN
- [6] - FOR USE WITH 56601400 - NOT SHOWN
- [7] - NO LONGER AVAILABLE
- [8] - (S4)
- [9] - EXPIRED NO REPLACEMENT

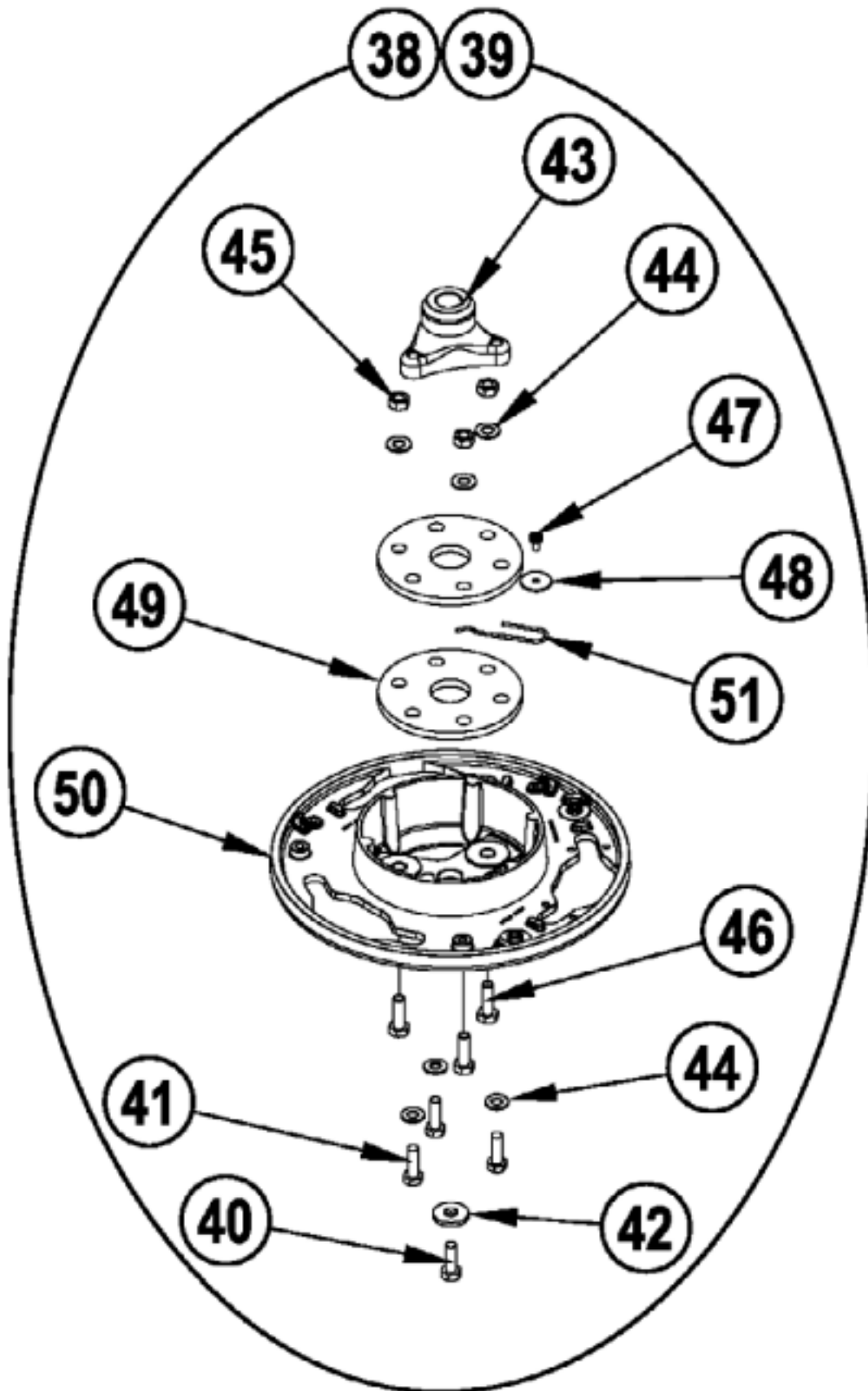


Pos.	Product no	QTY	Description	Notes
0			See notes	[1]
00	56109625	2	BRUSH PLATE KIT-COUNTER CLOC	[2]
00	56315838	2	HARNESSE FILTER	[3]
00	56109626	2	BRUSH PLATE KIT-CLOCKWISE	[4]
00	56413883	2	FERRITE BEAD	[5]
01	56002959	3	PIN COT HAIR SS.090XDIA.50/.75	[6]
02	56324350	1	WHEEL	
03	56001879	2	WSH FLT SAE 1/2	[6]
04	56002910	8	WSH FLT SAE SS 3/8	
05	56002938	1	WSH FLT SAE SS 5/16	
06	56003120	2	PIN COT HAIR.093XDIA .25-.50	
07	56002201	2	SCR SOC HD 5/16-18 X 1.50	[7]
08	56003438	4	NUT HEX NYL LOC SS M10-1.50	
09	56003472	1	SCR SOC SHD.38X1.00X5/16-18	
10	56109651	1	BRUSH PLATE ASSY-CCW	[8]
11	56003533	4	SCR HEX SS M10-1.50X20MM	
12	56003674	8	SCR HEX LOC SS 3/8-24 X .62	[9]
13	56003679	2	PIN RING .50 X 1.63	
14	56003693	3	RIVET NYLON TREE PUSH IN.218	
15	56109652	1	BRUSH PLATE ASSY-CW	[10]
17	56257534	1	TUBE PVC .38 X 5.50FA39TE00552	[9]
18	56315759	1	BAND CLAMP ADJUSTABLE	[11]
18	56315742	1	BAND CLAMP ADJUSTABLE	[12]
19	56315588	1	SCRUB DECK DISC CAST 28	[13]
19	56315586	1	SCRUB DECK DISC CAST 24	[14]
20	56315056	2	ASM MOTOR&GEAR UNIT 24V .42HP	[15]
20	56397138	4	BRUSH SPRING	[5]
20	56315376	4	BRUSH ASSEMBLY	[3]
21	56315060	1	HOSE PVC E00552	
22	56315161	1	PIN	
23	56315718	1	DECK ACTUATOR WELDMENT	[16]
23	56315719	1	DECK ACTUATOR WELDMENT	[17]
24	56315274	1	BLADE DECK FABRIC 24	[18]
25	56315752	1	EXTRUDED BUMPER 24 DECK	[19]
25	56315754	1	EXTRUDED BUMPER 28 DECK	[20]
26	56315339	1	BRACKET	
27	56397300	1	TEE BARB	[21]
28	56315373	2	DECK MOUNT BRKT WELDT RHS	[22]
29	56002769	4	NUT HEX NYL LOC 3/8-16	[22]
30	56601118	1	BRUSH PLATE	[7]
31	56109653	1	SPRING RETAINER	[7]
32	56009247	3	SCR PN PHIL PLASTITE 10-14X.38	[7]
33	56112521	1	GIMBAL-COLLAR ASSEMBLY	[7]
34	61658A	1	COLLAR. RUSH DRIVER (26/3	[23]
35	56601056	1	SPRING BRUSH HOLDER	[7]
36	56366455	1	PLATE CV24B	[7]
37	56009002	1	WASHER FLAT .266X.906X.060	[7]

## Part Notes:

- [1] - NOTE 1: The previous solution hose design which consisted of a Reducer (56418669), Hose Clamps (56219932) and a smaller 3/8" diameter Hose (56456830) to the scrub deck has been replaced in production with a single 1/2" diameter hose (56264318). If ordering Tee 56397300 for a machine with this previous design solution hose you will also need to order Solution Hose 56264318. See NOTE 1 on SOLUTION SYSTEM / ELECTRICAL-1. NOTE 2: The Deck Casting (item #19) has been redesigned. The old style castings (56315053 - 28", 56315054 - 26", 56315055 & 24") are no longer available. If you have a machine built prior to this change (old style deck assembly DOES NOT include item 38) and need to replace one of these deck castings you need to order one of the kits listed below. These kits include items (8, 11, 14, 19, 23, 38, 39). Old Deck Order Kit 56315053 (28") 56315727 56315054 (26") 56315726 56315055 (24") 56315725 NOTE 3: Actuator Weldment Item #23 has been redesigned (in April of 2007) to accommodate a new upper deck linkage arm (see Solution System / Electrical-1). The redesigned weldment is backwards compatible to the previous design. The new design does not use item #3 and the quantity of item #1 is reduced to 2. NOTE 4: Extruded Bumpers PNs 56315318, 56315277 56315276 are obsolete. If you need to replace one of these bumpers please order one of the kits listed below. Old Bumper Order Kit 56315318 (28") 56315764 56315277 (26") 56315763 56315276 (24") 56315762 NOTE 5: Drive Lugs 56396080 and 56396081 are both obsolete and replaced by 56109625 and 56109626 respectively. The old individual parts are still available for replacement and listed next page.
- [2] - upgrade from 56396080

- [3] - NOT SHOWN  
GUARANTEE DATE EXPIRED
- [4] - upgrade from 56396081
- [5] - NOT SHOWN
- [6] - NOTE 3
- [7] - NOTE 5
- [8] - (30-37) NOTE 5 - TSBUS2009-1039
- [9] - NO LONGER AVAILABLE
- [10] - (30-37) NOTE 5 - TSBUS2009-1039 TSB US 2009-1039. New Brush Plates
- [11] - (BA 725)
- [12] - (BA 625)
- [13] - BA 725 NOTE 2
- [14] - BA 625 NOTE 2  
EXPIRED NO REPLACEMENT
- [15] - (M2 / M3)
- [16] - (BA 625) NOTE 2, NOTE 3  
EXPIRED ON 6/09/2021
- [17] - (BA 725) NOTE 2 - NOTE 3
- [18] - (BA 625 / BA 725)
- [19] - (BA 625) NOTE 4
- [20] - (BA 725) NOTE 4
- [21] - NOTE 1
- [22] - NOTE 2
- [23] - TSB-FC-2015-040 Replacement Parts  
SEE TSB-FC-2015-040



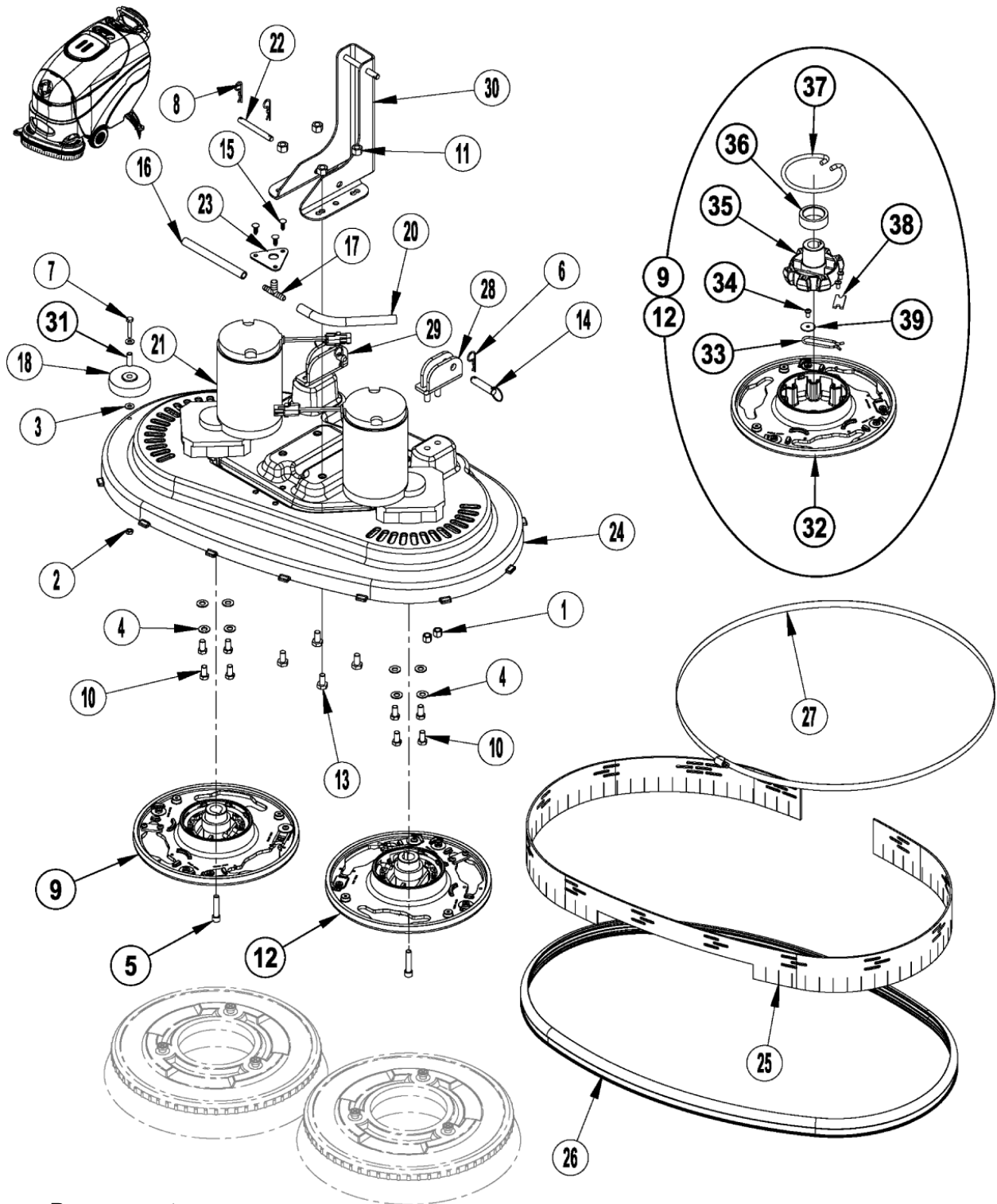
Resource notes:

NOTE 5: Drive Lugs 56396080 and 56396081 are both obsolete and replaced by 56109625 and 56109626 respectively. The old individual parts are still available for replacement and listed here

Pos.	Product no	QTY	Description	Notes
38	56109625	1	BRUSH PLATE KIT-COUNTER CLOC	[1]
39	56109626	1	BRUSH PLATE KIT-CLOCKWISE	[1]
40	56003335	2	SCR HEX LOC SS 5/16-18 X .88	
41	56003477	6	SCR HX NYLOC SS M8-1.25 X 25MM	
42	56009107	2	WSH FLT SS .378/.373X1.00X.075	
43	56314108	2	HUB DRIVE	
44	56002938	6	WSH FLT SAE SS 5/16	
45	56003405	3	NUT HEX NYL LOC SS M8X1.25	
46	56003639	3	SCR HEX SS M8-1.25 X 30MM	
47	56009030	1	SCR PAN PHIL THD FOM 10-24X.38	
48	56009096	1	WSH FLT .193X.875X.060	
49	56383238	2	BRUSH DRIVE DISC	
50	56314030	1	BRUSH HOLDER	
51	56397081	1	SPRING RETAINER	

## Part Notes:

[1] - (40-51) NOTE 5



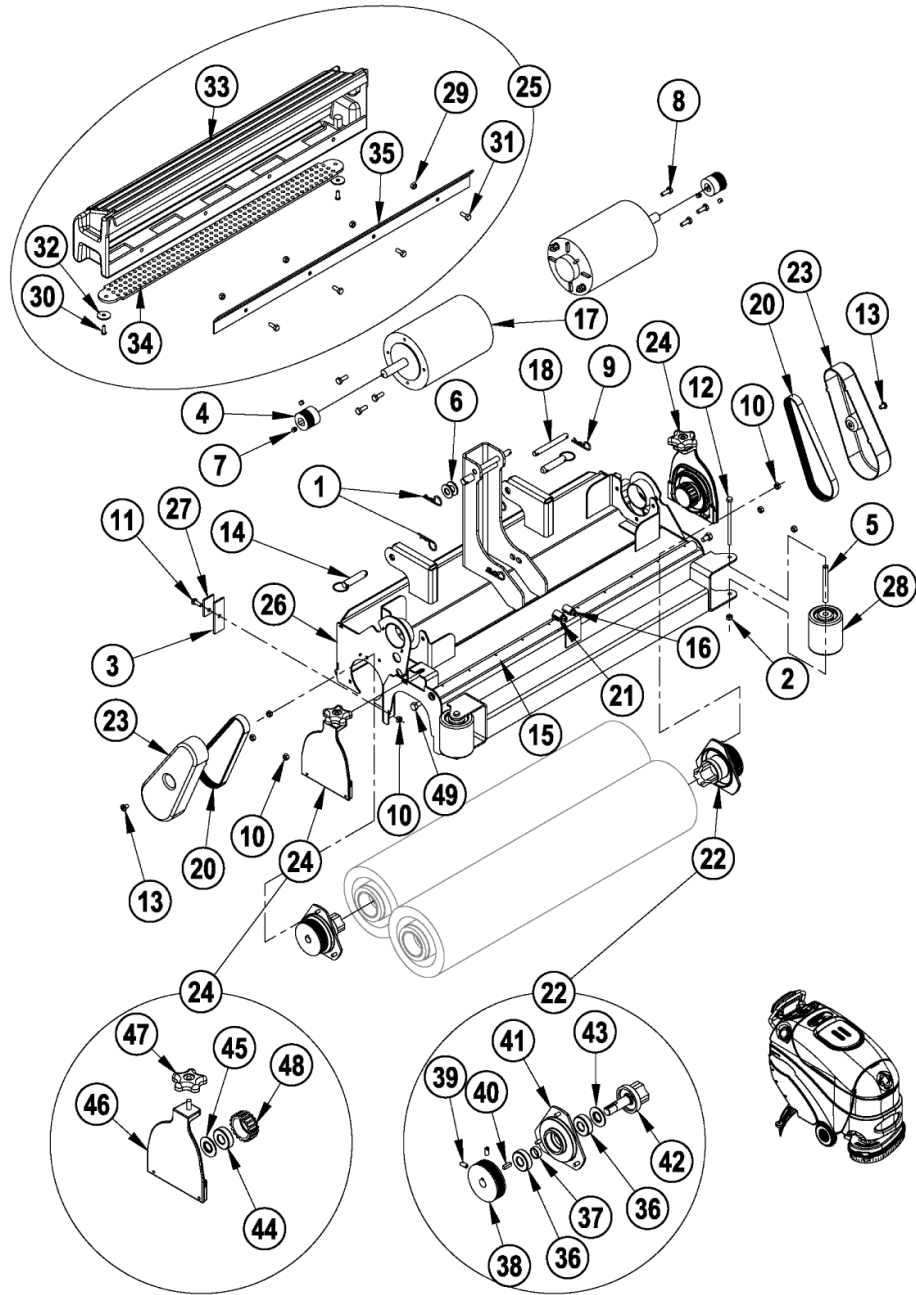
Resource notes:

NOTE 1: See NOTE 5 on SCRUB SYSTEM - DISK (BA 625, BA 725)

Pos.	Product no	QTY	Description	Notes
00	56315838	2	HARNESS FILTER	[1]
00	56413883	2	FERRITE BEAD	
01	56002769	4	NUT HEX NYL LOC 3/8-16	
02	56002850	1	NUT HEX NYL LOC-THIN SS 1/4-20	
03	56002859	2	WSH FLT SAE SS 1/4	
04	56002910	8	WSH FLT SAE SS 3/8	
05	56002201	2	SCR SOC HD 5/16-18 X 1.50	[2]
06	56002959	2	PIN COT HAIR SS.090XDIA.50/.75	
07	56002880	1	SCR HEX LOC SS 1/4-20 X 1.75	
08	56003120	2	PIN COT HAIR.093XDIA .25-.50	
09	56109651	1	BRUSH PLATE ASSY-CCW	[3]
10	56003338	8	SCR. HEX LOC SS 3/8-16X.75	
11	56003438	4	NUT HEX NYL LOC SS M10-1.50	
12	56109652	1	BRUSH PLATE ASSY-CW	[3]
13	56003533	4	SCR HEX SS M10-1.50X20MM	
14	56003679	2	PIN RING .50 X 1.63	
15	56003693	3	RIVET NYLON TREE PUSH IN.218	
16	56396195	1	HOSE PVC E00552	
17	56397300	1	TEE BARB	
18	56049261	1	WHEEL	
20	56397301	1	HOSE PVC E00552	
21	56315376	4	BRUSH ASSEMBLY	[4]
21	56315056	2	ASM MOTOR&GEAR UNIT 24V .42HP	[5]
21	56397138	4	BRUSH SPRING	[6]
22	56315161	1	PIN	
23	56315339	1	BRACKET	
24	56315859	1	SCRUB DECK DISC CAST 32	[7]
25	56315626	1	BLADE DECK FABRIC 32	
26	56315755	1	EXTRUDED BUMPER 32 DECK	
27	56315761	1	BAND CLAMP ADJUSTABLE	
28	56315821	1	DECK MOUNT BRACKET WELDT LHS	[8]
29	56315823	1	DECK MOUNT BRACKET WELDT RHS	[8]
30	56315826	1	BRACKET WELDT	[8]
31	56315580	1	BUSHING STAINLESS	
32	56601118	1	BRUSH PLATE	[9]
33	56109653	1	SPRING RETAINER	[9]
34	56009247	3	SCR PN PHIL PLASTITE 10-14X.38	[9]
35	56112521	1	GIMBAL-COLLAR ASSEMBLY	[9]
36	61658A	1	COLLAR. RUSH DRIVER (26/3	[10]
37	56601056	1	SPRING BRUSH HOLDER	[9]
38	56366455	1	PLATE CV24B	[9]
39	56009096	1	WSH FLT .193X.875X.060	[9]

## Part Notes:

- [1] - GUARANTEE DATE EXPIRED
- [2] - DISK (BA 625, BA 725)
- [3] - (32-39) TSB US 2009-1039. New Brush Plates
- [4] - NOT SHOWN  
GUARANTEE DATE EXPIRED
- [5] - (M2 / M3)
- [6] - NOT SHOWN
- [7] - EXPIRED NO REPLACEMENT
- [8] - NO LONGER AVAILABLE
- [9] - NOTE 1
- [10] - NOTE 1  
TSB-FC-2015-040 Replacement Parts  
SEE TSB-FC-2015-040

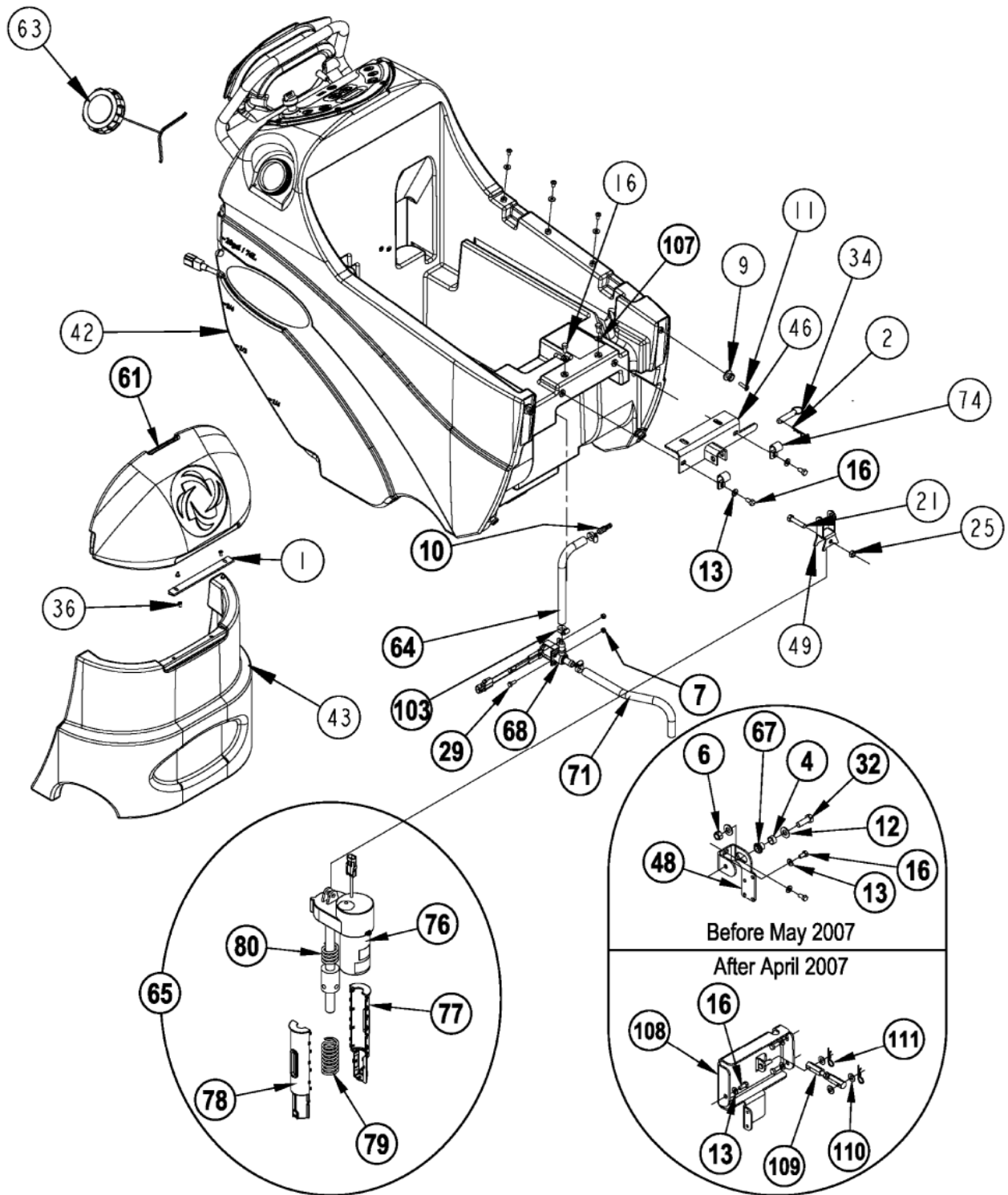


Pos.	Product no	QTY	Description	Notes
00	56315838	2	HARNESS FILTER	[1]
01	56002959	3	PIN COT HAIR SS.090XDIA.50/.75	[2]
02	56003403	2	NUT HEX NYL LOC M6 X 1.00	
03	56407391	2	BLADE DECK GUM	
04	56407433	2	SHEAVE POLY-V	
05	56412176	2	BUSHING	
06	56001879	6	WSH FLT SAE 1/2	[2]
07	56002086	4	SCR SOC SET LOC 5/16-18 X .25	
08	56002948	6	SCR HEX LOC-1/4-20 X 0.75	
09	56003120	2	PIN COT HAIR.093XDIA .25-.50	
10	56003426	8	NUT HEX NYL LOC SS M6	
11	56003431	2	SCR HEX SS M6-1.00X16MM	
12	56003492	2	SCR HEX M6-1.0 X 100MM	
13	56003603	2	SCR PAN PHILTHDFORM 1/4-20X.38	
14	56003679	2	PIN RING .50 X 1.63	
15	56315355	2	MANIFOLD PVC 28	[3]
16	56112771	2	CLAMP HOSE SAE 10 E00047	
17	56412287	1	MOTOR BRUSH/SPRING KIT	[4]
17	56380003	1	MOTOR BRUSH/SPRING KIT	[4]
17	56315061	2	MOTOR 24VDC .5HP 1800RPM	[5]
18	56315161	1	PIN	
19	56315320	2	HARNESS BRUSH	
20	56315321	2	BELT AUTO TENSION	
21	56262549	1	TEE E00455	[6]
22	56407559	2	DRIVE END ASSY	[7]
23	56115314	2	GUARD ASSY-BELT	
24	56115344	2	IDLER END ASSY	[8]
25	56315459	1	HOPPER ASSEMBLY 28	[9]
26	56315470	1	HOUSING WELDMENT 28	[3]
27	56009060	2	WSH FLT SS .260X1.000X.074	
28	56412459	2	WHEEL	
29	56003426	4	NUT HEX NYL LOC SS M6	
30	56002896	2	SCR PAN PHIL SS 10-24 X .62	
31	56003431	4	SCR HEX SS M6-1.00X16MM	
32	56009060	2	WSH FLT SS .260X1.000X.074	
33	56315460	1	HOPPER 28	[3]
34	56315464	1	HOPPER SCREEN 28	[3]
35	56315467	1	HOPPER BRACKET 28	[3]
36	56106070	2	BEARING BALL Z22	
37	56407389	1	SPACER	
38	56407442	1	SHEAVE POLY-V	
39	56002119	2	SCR SOC SET LOC 1/4-20 X .50	
40	56003237	1	KEY SQ .19 X .62	
41	56381765	1	BEARING PLATE	
42	56109527	1	SPINDLE-SHORT	
43	56407558	1	WASHER BEARING	
44	56106070	1	BEARING BALL Z22	
45	56407558	1	WASHER BEARING	
46	56315447	1	IDLER BEARING PLATE	
47	56396254	1	KNOB	
48	56115273	1	HUB-IDLER	

## Part Notes:

- [1] - NOT SHOWN  
GUARANTEE DATE EXPIRED
- [2] - NOTE 2: Housing Weldment Item #26 has been redesigned (in April of 2007) to accommodate a new upper deck linkage arm (see Solution System / Electrical-1). The redesigned weldment is backwards compatible to the previous design. On machines with the new design the quantity of item #1 is reduced to 2 and the quantity of item #6 is reduced to 4.
- [3] - (BA 725)

- [4] - NOTE 3: If your cylindrical scrub motor has a serial tag from Scott Motors Co. (4BB1344) order Carbon Brush Set 56412287. If your cylindrical scrub motor has a serial tag from Nilfi sk-Advance (ZD22000) order Carbon Brush Set 56380003.
- [5] - (M2 / M3) - TSBUS2010-1058TSB US 2010-1058. Identification of Cyl. Brush Motors
- [6] - NOTE 1: The previous solution hose design which consisted of a Reducer (56418669), Hose Clamps (56219932) and a smaller 3/8 Inch diameter Hose (56456830) to the scrub deck has been replaced in production with a single 1/2 Inch diameter hose (56264318). If ordering Tee 56262549 for a machine with this previous design solution hose you will also need to order Solution Hose 56264318. See NOTE 1 on SOLUTION SYSTEM / ELECTRICAL-1.
- [7] - (36-43)
- [8] - (44-48)
- [9] - (BA 725 / 29-35))

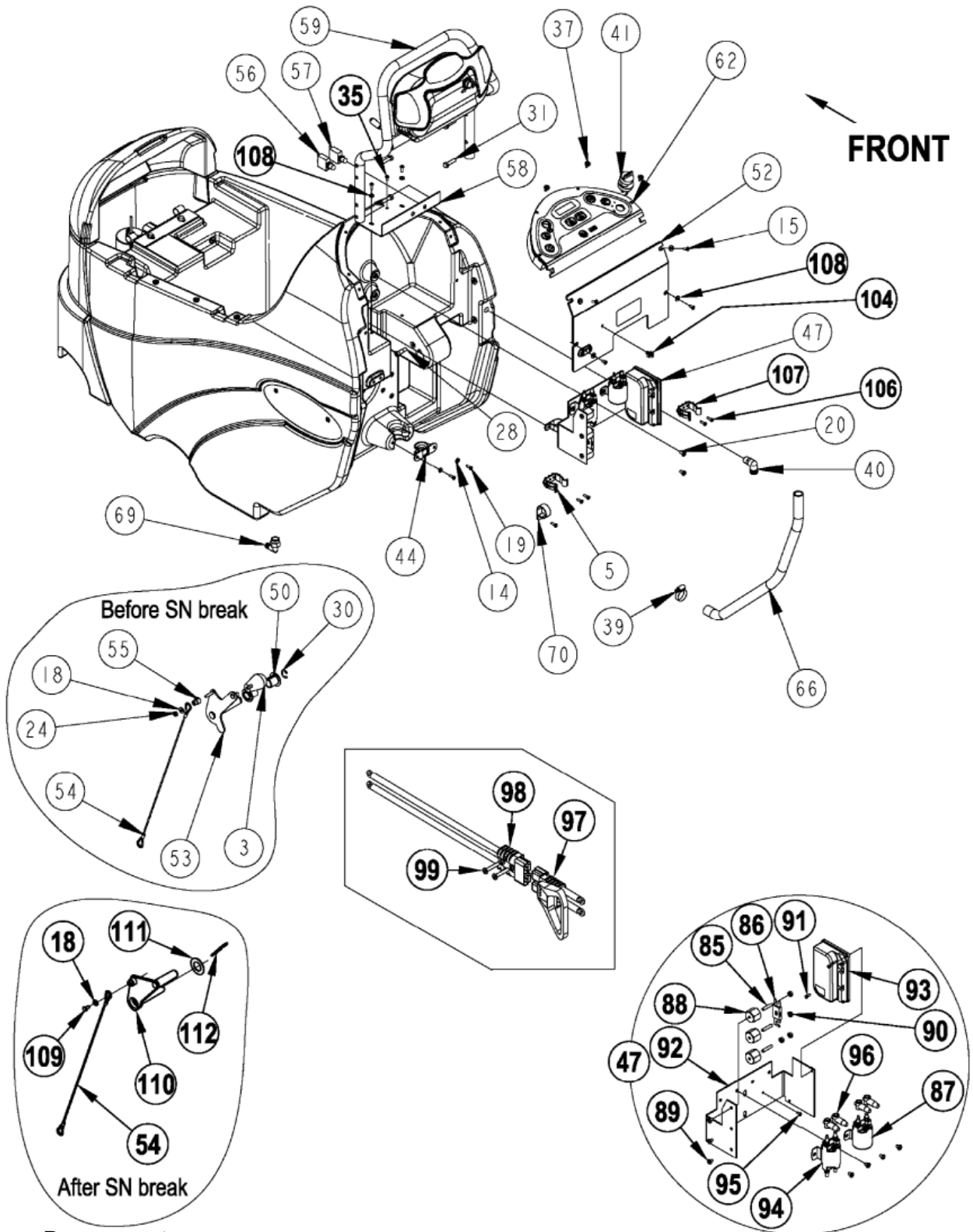


Pos.	Product no	QTY	Description	Notes
01	56315285	1	HINGE	
02	56002959	1	PIN COT HAIR SS.090XDIA.50/.75	
04	56370878	1	BEARING SLEEVE .627CV213FE0202	[1]
06	56003312	1	NUT HEX NYL LOC M12-1.75	[1]
07	56003403	2	NUT HEX NYL LOC M6 X 1.00	
09	56365777	4	BRUSH DRIVER LUG CV17B	
10	56418669	1	REDUCER BARB	
103	56219932	3	CLAMP HOSE SAE 6 E00047	
107	56009122	2	WSH FLT .344X.938X.125	
108	56315839	1	BRACKET WELDMENT	[2]
109	56315836	1	TURNBUCKLE ASSEMBLY	[3]
11	56001832	4	SCR FLT PHIL 1/4-20 X 1.00	
110	56002063	3	WSH FLT SAE 3/8	[3]
111	56003120	2	PIN COT HAIR.093XDIA .25-.50	[3]
12	56001879	2	WSH FLT SAE 1/2	
13	56001939	4	WSH FLT SAE 5/16	[4]
16	56002667	6	SCR HEX 5/16-18 X .75	[5]
21	56002684	1	SCR HEX 3/8-16 X 1.75	
25	56002841	1	NUT HEX NYL LOC-THIN 3/8-16	
29	56003174	2	SCR HEX THD/HD M6-1.0 X 16MM	
32	56003637	1	SCR HEX M12-1.75 X 40MM	[1]
34	56003679	1	PIN RING .50 X 1.63	
36	56009139	4	SCR PAN PHIL LOC 10-24X.38	
42	56109561	1	SOLUTION TANK KIT	[6]
42	56315089	1	SOLUTION TANK	
43	56315104	1	NOSE CONE	
46	56315130	1	WELDMENT ACTUATOR MOUNT	[7]
48	56315186	1	BRACKET LINKAGE PIVOT	[8]
49	56315191	1	YOKE ACTUATOR	
61	56315284	1	CHEMICAL BOTTLE COVER	
63	56510442	1	CAP-EXTRA VENT	[9]
64	56387302	1	TUBE PVC .500X11.00 E00604	
65	56109595	1	LIFT ACTUATOR ASSEMBLY	[10]
67	56109540	1	PIVOT WELDMENT KIT	[1]
68	56397203	1	SOLUTION VALVE ASSY.	[11]
71	56264318	1	HOSE E00604	[12]
74	56469380	2	CLAMP CABLE .75 E00129	
76	56109636	1	SPRING HOUSING KIT	
76	56109597	1	ACTUATOR	[13]
76	56109596	1	NUT PLASTIC	
77	56109547	1	SPRING HOUSING	
78	56109546	1	SPRING HOUSING	
79	56420018	1	SPRING COMPRESSION	
80	56412071	1	COMPRESSION SPRING	

## Part Notes:

- [1] - ONLY USED BEFORE MAY 2007
- [2] - ONLY USED AFTER APRIL 2007  
GUARANTEE DATE EXPIRED
- [3] - ONLY USED AFTER APRIL 2007
- [4] - QTY OF 5 AFTER APRIL 2007
- [5] - QTY OF 7 AFTER APRIL 2007
- [6] - NOTE 3: This solution tank kit is to be ordered if you need to replace a solution tank on a machine before serial number 2059967. TSB US 2008-1017. A Solution Kit is now available
- [7] - GUARANTEE DATE EXPIRED
- [8] - ONLY USED BEFORE MAY 2007  
GUARANTEE DATE EXPIRED
- [9] - The previous Solution Tank Cap 56315517 is obsolete. The new Cap 56109519 can be used in place of the original. TSB-FC-2015-031  
Various machines Solution Fill Cap

- [10] - (76-84)  
NOTE 4: Actuator 56109595 replaces actuator 56396049 as of September 2009. - TSBUS2009-1040
- [11] - (L1)
- [12] - NOTE 1: The previous solution hose design which consisted of a Reducer (56418669), Hose Clamps (56219932) and a smaller 3/8 Inch diameter Hose (56456830) to the scrub deck has been replaced in production with a single 1/2 Inch diameter hose (56264318). If ordering this new hose (56264318) for a machine with the previous design you will also need to order a new Tee (56397300 for disc / 56262549 for cylindrical) for the scrub deck. See NOTE 1 on SCRUB SYSTEM - DISK (BA 625, BA 725) and SCRUB SYSTEM - CYLINDRICAL.
- [13] - M5



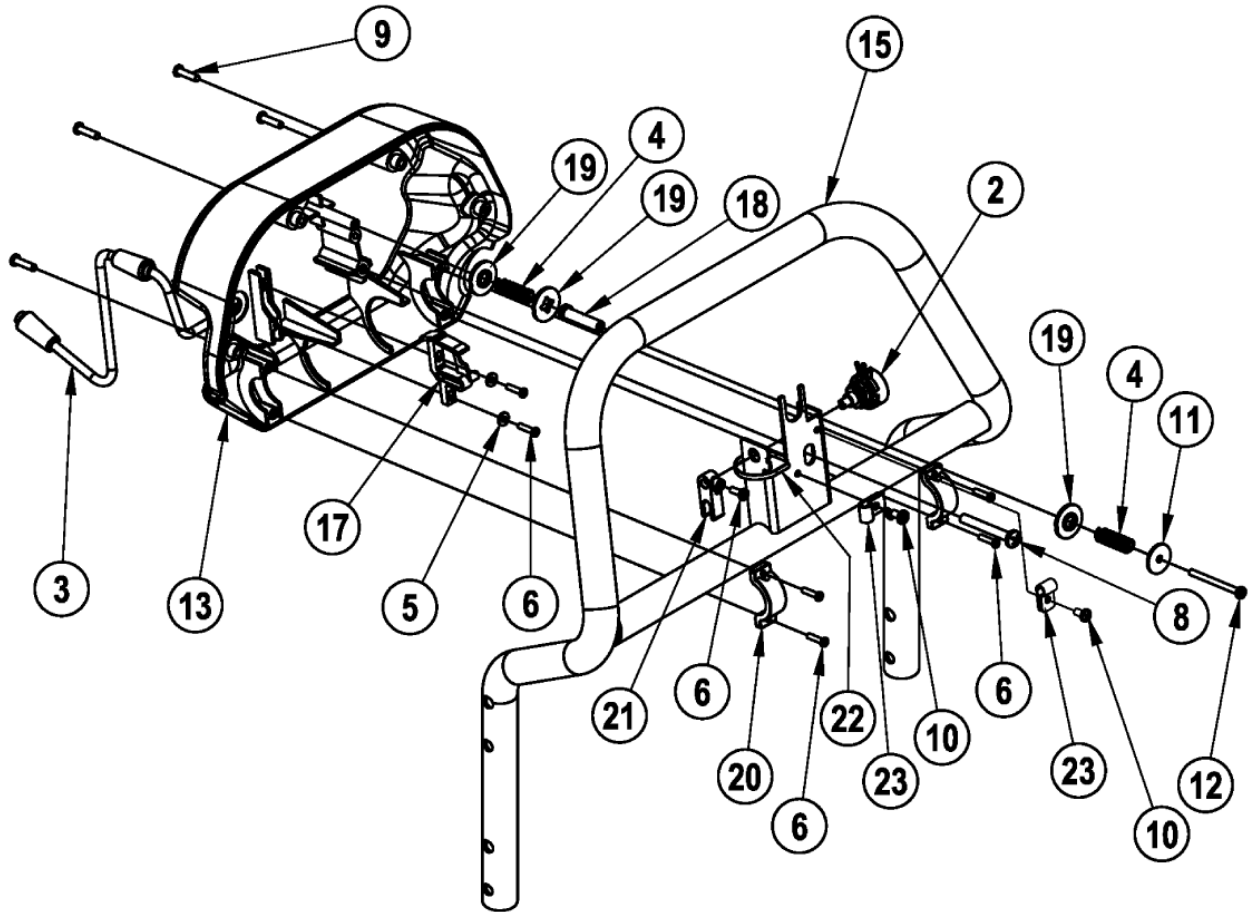
Resource notes:

NOTE 1: Order this control panel assy if you have the OLD PUMP voltage reading across the solution pump (M8) leads. NOTE 2: Order this control panel assy if you have the NEW PUMP voltage reading across the solution pump (M8) leads. Regular Scrub: Voltage: Old Pump 7 New Pump 9.56 Heavy Scrub: Old Pump 11.3 New Pump 13.7 Extreme Scrub: Old Pump 17 New Pump 19.24 NOTE 4: Used before SN 2059968. Items 50 and 53 are obsolete, to replace order each of the following part numbers 56001854, 56315730, 56009117, 56003223 (qty 1). NOTE 5: Used after SN 2059967.

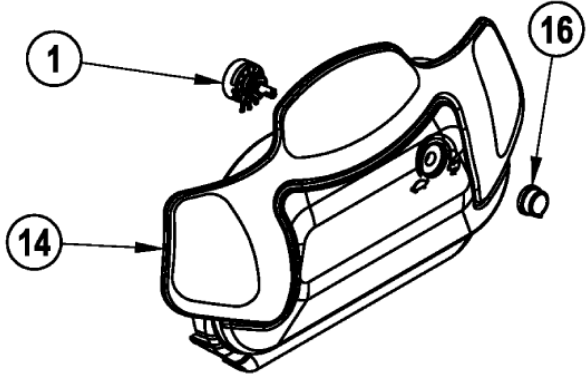
Pos.	Product no	QTY	Description	Notes
03	56364527	1	KNOB 1.62X5/16-18 CA331-1	[1]
05	56407361	1	CLAMP PLASTIC	
104	56315382	1	CLIP CONDUIT	
106	56001993	2	SCREW 10-24 X 0.5 ZINC PL	
107	56212236	1	CLAMP PLASTIC	
108	56002053	6	WSH FLT STD 10	
109	56001854	1	SCR HEX 1/4-20 X .50	[2]
110	56315730	1	LEVER SQUEEGEE LIFT	[2]
111	56009117	1	WSH FLT 1.031X1.859X.048	[2]
112	56003223	1	PIN COT HAIR.148 X DIA.62/1.00	[2]
14	56001954	2	WSH FLT SAE 10	
15	56001993	4	SCREW 10-24 X 0.5 ZINC PL	
18	56002098	4	H FLT SAE 1/4	
19	56002124	12	SCREW10-24 X .62 PNH PH	
20	56002145	5	SCR PAN PHIL 1/4-20 X .50	
24	56002840	1	NUT HEX NYL LOC-THIN 1/4-20	[1]
28	56002962	1	SCR SOC SHD.38X.62X5/16-18	[1]
30	56003266	1	RING RET EXT TYPE E	[1]
31	56002094	4	SCR HEX 5/16-18 X 1.50	
35	56009030	1	SCR PAN PHIL THD FOM 10-24X.38	
37	56009206	4	SCR TRUSS PHIL BLK 10-24X.50	
39	56244969	1	CLAMP HOSE SAE 12 E00047	
40	56264442	1	ELBOW BARB E00037	
41	56303526	1	KEY REPLACEMENT SET OF 2	[3]
41	56303553	1	KEY SWITCH ASSEMBLY	
44	56315121	1	GUIDE CABLE	
47	56315162	1	ASSEMBLY ELECTRICAL BOX	[4]
50	56315193	2	BUSHING FLANGE	[5]
52	56109502	1	PANEL ELECTRICAL ASSY	
53	56315236	1	WELDMENT SQUEEGEE LIFT	[1]
54	56315243	1	CABLE SQUEEGEE LIFT	
55	56315245	1	BUSHING SQUEEGEE CABLE	[1]
56	56315255	1	CIRCUIT BREAKER 5 AMP	
57	56315256	1	CIRCUIT BREAKER 30 AMP	
58	56109553	1	PLATE CIRCUIT BREAKER	
59	56315266	1	ASSEMBLY PADDLE	
62	56315777	1	CONTROL PANEL ASSEMBLY	[6]
62	56315297	1	CONTROL PANEL ASEMBLY	[7]
66	56396143	1	HOSE PVC .75X28.0 E00521	
69	56409152	1	BARB 90 1/2 NPTX1/2 E00037	
70	56410166	2	CLAMP P	
85	56009203	3	STUD 1/4-20X1.31	
86	56412089	1	FUSE 150 AMP	[8]
87	56412179	1	CONTACTOR 24 VDC	[9]
88	56469858	3	ELECTRICAL MOUNT	
89	56002462	7	SCR PAN PHIL 1/4-20 X .38	
90	56002708	4	NUT HEX NYL LOC 1/4-20	
91	56003698	2	SCR PAN PHIL THD FORM 8-32X.75	
92	56315182	1	PANEL ELECTRICAL	
93	56315294	1	SPEED CONTROL	[10]
94	56397088	1	CONTACTOR 24V SPDT	[11]
95	56009030	1	SCR PAN PHIL THD FOM 10-24X.38	
96	56409538	4	TERMINAL INSULATOR	
97	56315345	1	CONNECTOR ASSEMBLY 1 AWG	[12]
98	56397187	1	CONNECTOR ASSEMBLY	[13]
99	56002825	2	SCR PAN PHIL 1/4-20 X 1.25	

## Part Notes:

- [1] - NOTE 4
- [2] - NOTE 5
- [3] - NOT SHOWN
  
- [4] -                   for 56303553  
- GUARANTEE DATE EXPIRED
  
- [5] - (85-96) TSBUS2005-897 - TSBUS2006-926TSB US 2006-926. Error 07  
- NOTE 4  
- NO LONGER AVAILABLE
- [6] - (A1) NOTE 2  
- NO LONGER AVAILABLE
- [7] - NO LONGER AVAILABLE
- [8] - (F1)
- [9] - (K2 / VAC MOTOR)
- [10] - (A2)
- [11] - (K1 / BRUSH MOTOR)
- [12] - (CONNECTED TO BATTERIES)  
- NO LONGER AVAILABLE
- [13] - (CONNECTED TO MACHINE)



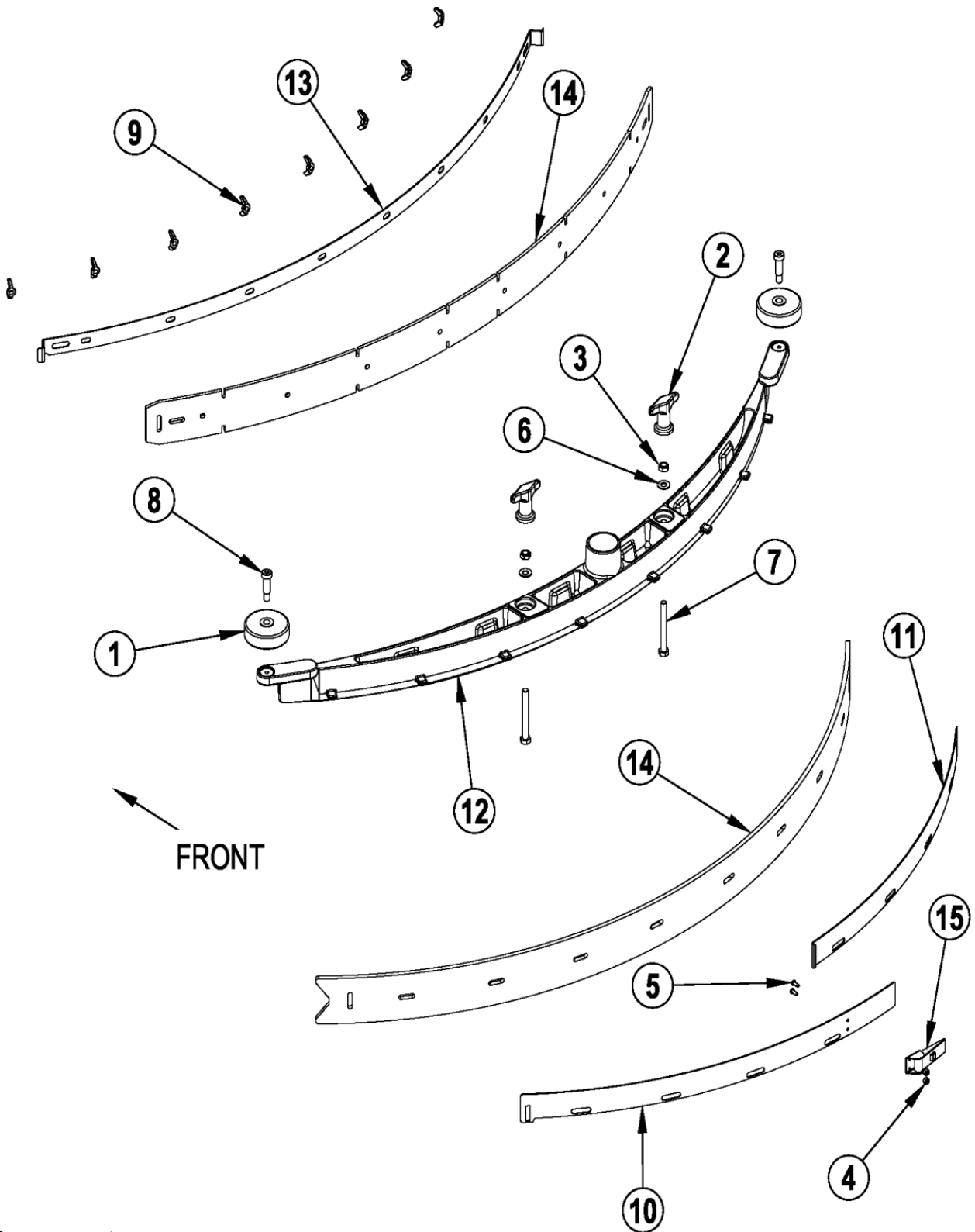
FRONT



Pos.	Product no	QTY	Description	Notes
	56315266	1	ASSEMBLY PADDLE	[1]
01	56396197	1	POTENTIOMETER 100K	[2]
02	56397029	1	POTENTIOMETER 5K	[3]
03	56315231	1	PADDLE HARNESS	
04	56325654	2	SPRING	
05	56002006	2	WSH FLT SAE 6	
06	56003197	7	SCR PAN PHIL PLASTITE 6-18X.62	
08	56003527	1	SCR PAN PHIL PLAS 1/4-10X2.0	
09	56003545	4	SCR PAN PHIL PLASTITE8-10X.75	
10	56009030	2	SCR PAN PHIL THD FOM 10-24X.38	
11	56009096	1	WSH FLT .193X.875X.060	
12	56009287	1	SCR PAN PHIL TYPE B 8 X 2.00	
13	56109716	1	PADDLE-BACK COVER	
14	56315230	1	PADDLE FRONT COVER	
15	56112767	1	WELDMENT-HANDLE BAR	
16	56315280	1	KNOB	
17	56397015	1	CAM CONTROLLER	
18	56397109	1	SLEEVE	
19	56397170	3	WSH PLASTIC	
20	56397171	2	CLAMP	
21	56109648	1	POTENTIOMETER FORK	
22	56478246	1	CABLE TIE E00549 RE438BA	
23	56481890	2	CLAMP CABLE .250 E00129	

## Part Notes:

- [1] - TSBUS2005-898 / TSBUS2006-925  
 [2] - (R2)  
 [3] - (R1)



Resource notes:

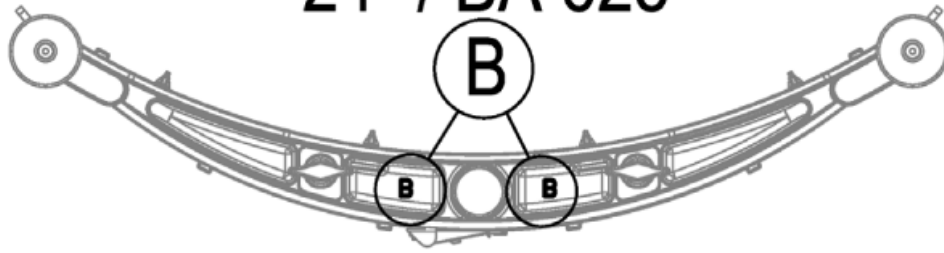
NOTE 1: All squeegee blade kits include both front and rear squeegee blades. NOTE 2: To replace squeegee straps on machines without Latch Support 56109554 (item 16) order one of the three following Strap Kits: 56109585-Strap Kit-D (for Squeegee Assy 56315632) 56109584-Strap Kit-C (for Squeegee Assy 56315290) 56109583-Strap Kit-B (for Squeegee Assy 56315291) These kits include both rear straps, front strap and the latch support. Pos. 50-52 - BA 625 Squeegee Blade Kits Pos. 60-62 - BA 725 Squeegee Blade Kits Pos. 70-72 - BA 825 Squeegee Blade Kits

Pos.	Product no	QTY	Description	Notes
	56315290	1	SQUEEGEE ASSEMBLY 32	[1]
	56315291	1	SQUEEGEE ASSEMBLY	[2]
	56315632	1	SQUEEGEE ASSEMBLY D	[3]
01	56324350	2	WHEEL	
02	56370711	2	NUT THUMB	
03	56002851	2	NUT HEX NYL LOC-THIN SS5/16-18	
04	56002907	2	NUT HEX NYL LOC SS 6-32	
05	56002909	2	SCR PAN PHIL SS 6-32 X .38	
06	56002938	2	WSH FLT SAE SS 5/16	
07	56003736	2	SCR HEX THD TO HD SS 5/16-18X3	
08	56003472	2	SCR SOC SHD.38X1.00X5/16-18	
09	56009111	6	NUT WING S.S. 1/4-20	
10	56109660	1	STRAP-LEFT REAR B	[4]
10	56109667	1	STRAP-LEFT REAR D	[5]
10	56109664	1	STRAP-LEFT REAR C	[6]
11	56109665	1	STRAP-RIGHT REAR C	[6]
11	56109661	1	STRAP-RIGHT REAR B	[4]
11	56109668	1	STRAP-RIGHT REAR D	[5]
12	56314271	1	SQUEEGEE TOOL CASTING B	[7]
12	56314694	1	SQUEEGEE TOOL CASTING D	[8]
12	56314325	1	SQUEEGEE TOOL CASTING C	[9]
13	56314322	1	STRAP FRONT 32	[10]
13	56109662	1	STRAP KIT-B	[2]
13	56314696	1	STRAP FRONT D	[3]
14	56315347	1	BLADE KIT-SQUEEGEE GUM B	[11]
14	56315674	1	BLADE KIT-SQUEEGEE GUM D	[12]
14	56315348	1	BLADE KIT-SQUEEGEE GUM C	[13]
15	56471194	1	LATCH ASSY RE32	[14]

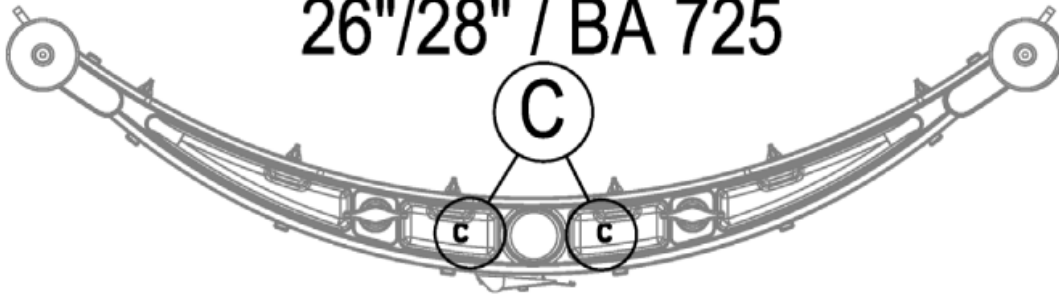
## Part Notes:

- [1] - (BA 725) NOTE 2  
NO LONGER AVAILABLE
- [2] - (BA 625) NOTE 2
- [3] - (BA 825) NOTE 2
- [4] - (BA 625) NOTE 2 - TSBUS2009-1037
- [5] - (BA 825) NOTE 2 - TSBUS2009-1037
- [6] - (BA 725) NOTE 2 - TSBUS2009-1037
- [7] - (BA 625)
- [8] - (BA 825)
- [9] - (BA 725)
- [10] - (BA 725) NOTE 2
- [11] - (BA 625) NOTE 1
- [12] - (BA 825) NOTE 1
- [13] - (BA 725) NOTE 1
- [14] - TSBUS2009-1037

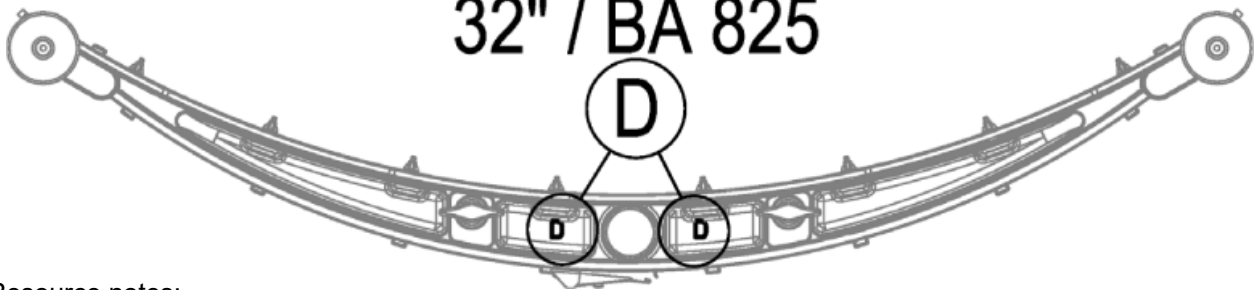
24" / BA 625



26"/28" / BA 725



32" / BA 825



Resource notes:

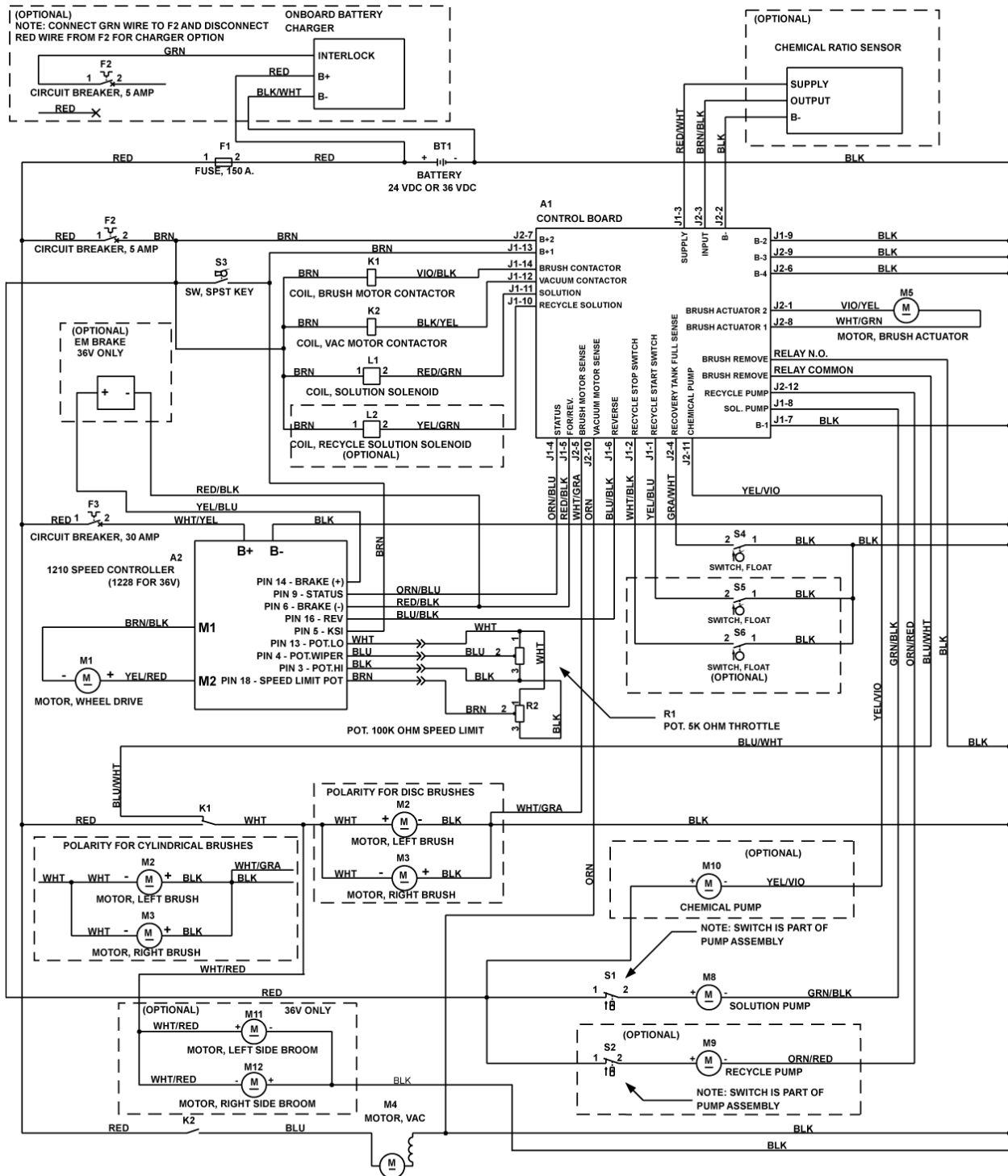
NOTE 1: All squeegee blade kits include both front and rear squeegee blades. Pos. B - BA 625 Squeegee Blade Kits Pos. C - BA 725 Squeegee Blade Kits Pos. D - BA 825 Squeegee Blade Kits

---

Pos.	Product no	QTY	Description	Notes
0B	56315347	1	BLADE KIT-SQUEEGEE GUM B	[1]
0B	56315854	1	BLADE KIT-SQUEEGEE PU B	[2]
0B	56315351	1	BLADE KIT-SQGEE RED GUM B	[2]
0C	56315352	1	BLADE KIT-SQGEE RED GUM C	[2]
0C	56315855	1	BLADE KIT-SQUEEGEE PU C	[2]
0C	56315348	1	BLADE KIT-SQUEEGEE GUM C	[2]
0D	56315674	1	BLADE KIT-SQUEEGEE GUM D	[2]
0D	56315856	1	BLADE KIT-SQUEEGEE PU D	[2]
0D	56314865	1	BLADE KIT-SQGEE RED GUM D	[2]

## Part Notes:

- [1] - NOTE 1- OPTIONAL
- [2] - NOTE 1 - OPTIONAL



REFERENCE: WIRING DIAGRAM 56315302 FOR 24V  
WIRING DIAGRAM 56315596 FOR 36V

56016691-REV. E

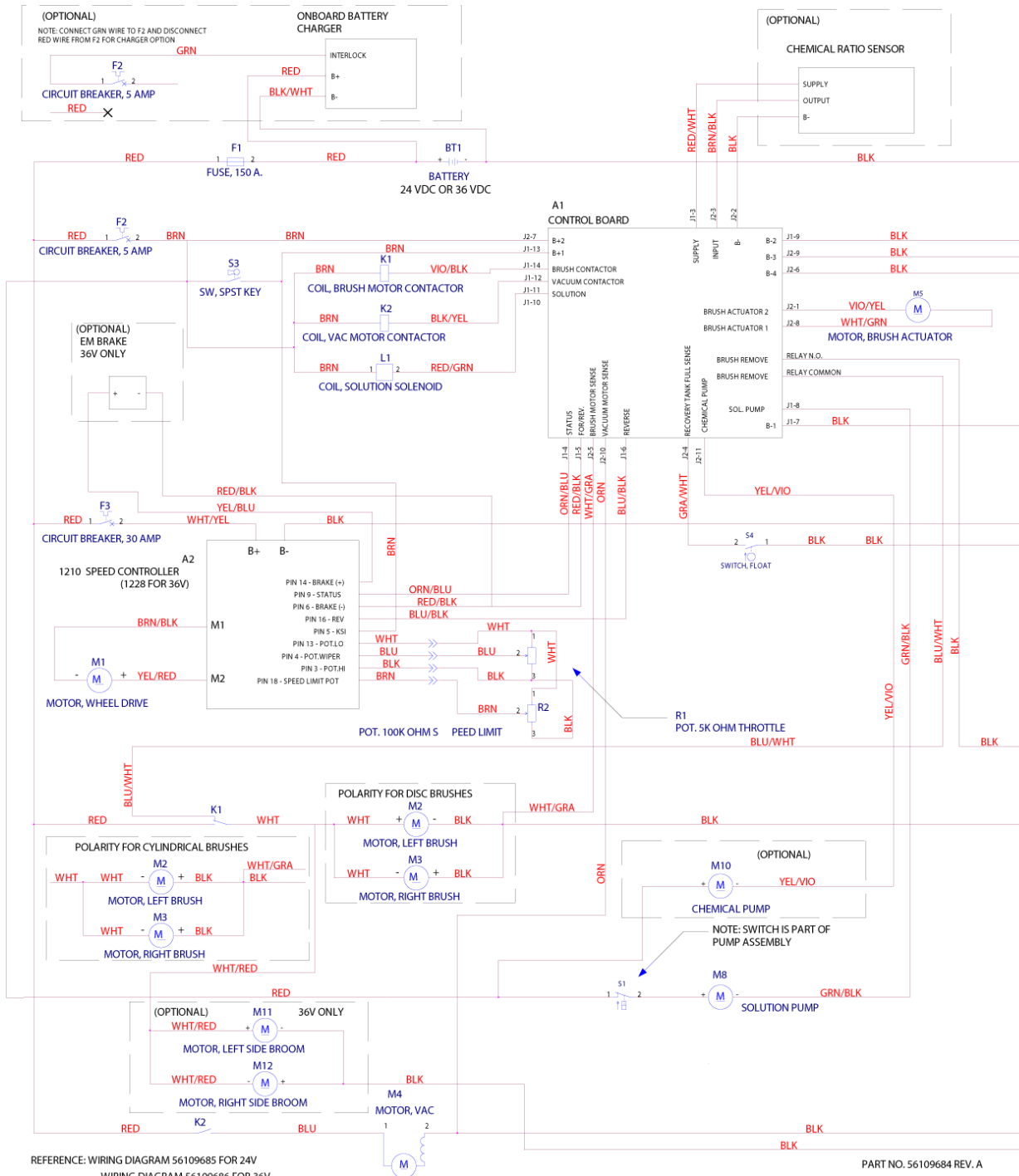
Resource notes:

NOTE 1: Order this control panel assy if you have the OLD PUMP voltage reading across the solution pump (M8) leads. NOTE 2: Order this control panel assy if you have the NEW PUMP voltage reading across the solution pump (M8) leads. Regular Scrub: Voltage: Old Pump 7 New Pump 9.56 Heavy Scrub: Old Pump 11.3 New Pump 13.7 Extreme Scrub: Old Pump 17 New Pump 19.24 NOTE 3: If your vacuum motor has a serial tag from Lamb Electric (Ametek) order Carbon Brush Set 56397098. If your vacuum motor has a serial tag from Nilfi sk-Advance order Carbon Brush Set 56380529.

Pos.	Product no	QTY	Description	Notes
00	56315751	1	HARNES CONVERTAMATIC VACUUM	[1]
00	56372673	8	BOOT BATTERY POST	[2]
00	56315838	2	HARNES FILTER	[3]
00	56315124	1	CHARGER ONBOARD 24V	[4]
00	56478246	9	CABLE TIE E00549 RE438BA	[2]
00	56315340	1	CHEMICAL SENSOR ASSEMBLY	[4]
00	56315747	1	THERMISTOR REPAIR KIT	[5]
00	56314119	1	SPACER BATTERY	[2]
00	56478523	2	CABLE TIE E00549	[2]
00	56413883	2	FERRITE BEAD	[6]
00	56416445	3	CABLE ASSY 4 AWG	[7]
00	56109674	1	HARNES-MAIN	[8]
A1	56315297	1	CONTROL PANEL ASEMBLY	[9]
A1	56315777	1	CONTROL PANEL ASSEMBLY	[10]
A2	56315294	1	SPEED CONTROL	
BT1		4	BATTERY - NOT AVAILABLE	[11]
F1	56412089	1	FUSE 150 AMP	
F2	56315255	1	CIRCUIT BREAKER 5 AMP	
F3	56315256	1	CIRCUIT BREAKER 30 AMP	
K1	56397088	1	CONTACTOR 24V SPDT	
K2	56412179	1	CONTACTOR 24 VDC	
L1	56397203	1	SOLUTION VALVE ASSY.	
L2	56397203	1	SOLUTION VALVE ASSY.	[12]
M1	56382670	1	KIT TRANSAXLE MOTOR	[2]
M1	56315379	2	MOUNTING SLEEVE NEOPRENE	
M1	56315378	4	BRUSH KIT SET OF 4	[2]
M1	56315062	1	TRANSAXLE 24V	
M10	56315241	1	PUMP CHEMICAL	[12]
M2	56315056	1	ASM MOTOR&GEAR UNIT 24V .42HP	[13]
M2	56315376	4	BRUSH ASSEMBLY	[3]
M2	56397138	4	BRUSH SPRING	[2]
M2	56315061	1	MOTOR 24VDC .5HP 1800RPM	[14]
M2	56412287	1	MOTOR BRUSH/SPRING KIT	[2]
M3	56412287	1	MOTOR BRUSH/SPRING KIT	
M3	56315376	4	BRUSH ASSEMBLY	[3]
M3	56315061	1	MOTOR 24VDC .5HP 1800RPM	[15]
M3	56315056	1	ASM MOTOR&GEAR UNIT 24V .42HP	[13]
M3	56397138	4	BRUSH SPRING	[2]
M4	56397098	1	CARBON BRUSH SET	[16]
M4	56380529	1	CARBON-BRUSH/SET OF 2	[16]
M4	56412300	1	VAC MOTOR ASSY.	
M5	56388520	1	NUT PLASTIC	
M5	56393303	1	ACTUATOR	
M8	56315108	1	PUMP 24V	
M9	56315132	1	PUMP 24V DC	[17]
R1	56397029	1	POTENTIOMETER 5K	
R2	56396197	1	POTENTIOMETER 100K	
S1		1	PART OF M7 - NOT AVAILABLE	[18]
S2		1	PART OF M8 - NOT AVAILABLE	[19]
S3	56303553	1	KEY SWITCH ASSEMBLY	
S3	56303526	1	KEY REPLACEMENT SET OF 2	[20]
S4	56315096	1	SWITCH FLOAT	
S5	56315096	1	SWITCH FLOAT	[21]
S6	56315096	1	SWITCH FLOAT	[22]

## Part Notes:

- [1] - GUARANTEE DATE EXPIRED
  
- [2] - NOT SHOWN
- [3] - NOT SHOWN  
GUARANTEE DATE EXPIRED
- [4] - (OPTIONAL) - NOT SHOWN
- [5] - REPAIR KIT FOR 56315124 - NOT SHOWN  
EXPIRED NO REPLACEMENT
- [6] - DISK MODELS ONLY - NOT SHOWN
- [7] - (BATTERY CABLES) - NOT SHOWN
- [8] - GUARANTEE DATE EXPIRED
  
- [9] - (A1) NOTE 1  
NO LONGER AVAILABLE
- [10] - (A1) NOTE 2  
NO LONGER AVAILABLE
- [11] - BATTERY - NOT AVAILABLE
- [12] - (OPTIONAL)
- [13] - (DISK)
- [14] - (CYLINDRICAL)
- [15] - CYLINDRICAL
- [16] - for 56412300 - NOTE 3
- [17] - (OPTIONAL)  
NO LONGER AVAILABLE
- [18] - PART OF M7 - NOT AVAILABLE
- [19] - PART OF M8 - NOT AVAILABLE
- [20] - NOT SHOWN
  
- [21] - (OPTIONAL / RECYCLE START)
- [22] - (OPTIONAL / RECYCLE STOP)



**Resource notes:**

NOTE 1: If your vacuum motor has a serial tag from Lamb Electric (Ametek) order Carbon Brush Set 56397098. If your vacuum motor has a serial tag from Nilfi sk-Advance order Carbon Brush Set 56380529. NOTE 2: If your cylindrical scrub motor has a serial tag from Scott Motors Co. (4BB1344) order Carbon Brush Set 56412287. If your cylindrical scrub motor has a serial tag from Nilfi sk-Advance (ZD22000) order Carbon Brush Set 56380003.

Pos.	Product no	QTY	Description	Notes
00	56315751	1	HARNES CONVERTAMATIC VACUUM	[1]
00	56372673	8	BOOT BATTERY POST	[2]
00	56315838	2	HARNES FILTER	[3]
00	56315124	1	CHARGER ONBOARD 24V	[4]
00	56478246	9	CABLE TIE E00549 RE438BA	[2]
00	56315340	1	CHEMICAL SENSOR ASSEMBLY	[4]
00	56315747	1	THERMISTOR REPAIR KIT	[5]
00	56314119	1	SPACER BATTERY	[2]
00	56478523	2	CABLE TIE E00549	[2]
00	56413883	2	FERRITE BEAD	[2]
00	56416445	3	CABLE ASSY 4 AWG	[6]
00	56109674	1	HARNES-MAIN	[7]
A1	56315777	1	CONTROL PANEL ASSEMBLY	[8]
A2	56315294	1	SPEED CONTROL	
BT1		4	BATTERY NOT AVAILABLE	[9]
F1	56412089	1	FUSE 150 AMP	
F2	56315255	1	CIRCUIT BREAKER 5 AMP	
F3	56315256	1	CIRCUIT BREAKER 30 AMP	
K1	56397088	1	CONTACTOR 24V SPDT	
K2	56412179	1	CONTACTOR 24 VDC	
L1	56397203	1	SOLUTION VALVE ASSY.	
M1	56315379	2	MOUNTING SLEEVE NEOPRENE	[2]
M1	56382670	1	KIT TRANSAXLE MOTOR	[2]
M1	56315062	1	TRANSAXLE 24V	
M1	56315378	4	BRUSH KIT SET OF 4	[2]
M10	56315241	1	PUMP CHEMICAL	
M2	56315376	4	BRUSH ASSEMBLY	[3]
M2	56397138	4	BRUSH SPRING	[2]
M2	56380003	1	MOTOR BRUSH/SPRING KIT	[10]
M2	56315061	1	MOTOR 24VDC .5HP 1800RPM	[11]
M2	56412287	1	MOTOR BRUSH/SPRING KIT	[10]
M2	56315056	1	ASM MOTOR&GEAR UNIT 24V .42HP	[12]
M3	56380003	1	MOTOR BRUSH/SPRING KIT	[10]
M3	56397138	4	BRUSH SPRING	[2]
M3	56412287	1	MOTOR BRUSH/SPRING KIT	[10]
M3	56315376	4	BRUSH ASSEMBLY	[3]
M3	56315056	1	ASM MOTOR&GEAR UNIT 24V .42HP	[12]
M3	56315061	1	MOTOR 24VDC .5HP 1800RPM	[11]
M4	56397098	1	CARBON BRUSH SET	[13]
M4	56380529	1	CARBON-BRUSH/SET OF 2	[13]
M4	56412300	1	VAC MOTOR ASSY.	
M5	56109596	1	NUT PLASTIC	[14]
M5	56109597	1	ACTUATOR	
M8	56315108	1	PUMP 24V	
R1	56397029	1	POTENTIOMETER 5K	
R2	56396197	1	POTENTIOMETER 100K	
S1		1	PART OF M8 - NOT AVAILABLE	[15]
S3	56303553	1	KEY SWITCH ASSEMBLY	
S3	56303526	1	KEY REPLACEMENT SET OF 2	[16]
S4	56315096	1	SWITCH FLOAT	

## Part Notes:

- [1] - GUARANTEE DATE EXPIRED  
TSBUS2007-955 - NOT SHOWNTSB US 2007-955. False error code 07 vacuum overload shut down
- [2] - NOT SHOWN
- [3] - NOT SHOWN  
GUARANTEE DATE EXPIRED
- [4] - OPTIONAL - NOT SHOWN

- [5] - FOR 56315124 - NOT SHOWN  
EXPIRED NO REPLACEMENT
- [6] - BATTERY CABLES - NOT SHOWN
- [7] - GUARANTEE DATE EXPIRED

TSBUS2006-926TSB US 2006-926. Error 07 / TSBUS2007-955TSB US 2007-955. False error code 07 vacuum overload shut down - NOT SHOWN

- [8] - A1  
NO LONGER AVAILABLE
- [9] - BATTERY NOT AVAILABLE
- [10] - NOT SHOWN - NOTE 2
- [11] - CYLINDRICAL - TSBUS2010-1058
- [12] - DISK
- [13] - FOR 56412300 - NOTE 1 - NOT SHOWN
- [14] - FOR USE ON 56109597 - NOT SHOWN
- [15] - PART OF M8 - NOT AVAILABLE
- [16] - NOT SHOWN

for 56303553

Ref. No.	Qty	Description	Ref. No.	Qty	Description
<b>Kits</b>			<b>BA 725 Disk Scrub Brushes</b>		
**	56315312	1 Squeegee Wand Kit	**	56505800	2 Short Trim Pad Holder
**	56315732	1 QuiQ Programmer Kit <b>NOTE 2 TSBUS2007-979</b>	**	56505195	2 Pad Retainer for 56505750
**	56315860	A/R Kit, BA625 Disk Deck W/Squeegee	**	56505801	2 MagnaGrit
**	56315861	A/R Kit, BA725 Disk Deck W/Squeegee	**	56505802	2 DynaGrit
**	56315863	A/R Kit, BA825 Disk Deck W/Squeegee	**	56505803	2 AgLite
**	56315862	A/R Kit, BA725 Cyl Deck W/Squeegee	**	56505804	2 Prolene
**	56315845	1 EDS On-Board Chemical Kit	**	56505805	2 ProLite
**	56315846	1 On-Board Charger kit-EU	**	56505806	2 Union Mix
<b>BA 625 Squeegee Kits</b>			**	56505807	2 MidGrit
**	56315347	1 Kit, Gum Rubber Squeegee Blade <b>NOTE 1</b>	**	56505808	2 MidLite Grit
**	56315351	1 Kit, Linatex Squeegee Blade <b>NOTE 1</b>	<b>BA 825 Disk Scrub Brushes</b>		
**	56315854	1 Kit, Squeegee Blade PU B <b>NOTE 1</b>	**	56505830	2 Short Trim Pad Holder
**	56109662	1 Strap Kit-B	**	56505195	2 Pad Retainer for 56505750
<b>BA 725 Squeegee Kits</b>			**	56505831	2 MagnaGrit
**	56315348	1 Kit, Gum Rubber Squeegee Blade <b>NOTE 1</b>	**	56505832	2 DynaGrit
**	56315352	1 Kit, Linatex Squeegee Blade <b>NOTE 1</b>	**	56505833	2 AgLite
**	56315855	1 Kit, Squeegee Blade PU C <b>NOTE 1</b>	**	56505834	2 Prolene
**	56109666	1 Strap Kit-C	**	56505835	2 ProLite
<b>BA 825 Squeegee Kits</b>			**	56505836	2 Union Mix
**	56315674	1 Kit, Gum Rubber Squeegee Blade <b>NOTE 1</b>	**	56505837	2 MidGrit
**	56314865	1 Kit, Linatex Squeegee Blade <b>NOTE 1</b>	**	56505838	2 MidLite Grit
**	56315856	1 Kit, Squeegee Blade PU D <b>NOTE 1</b>	<b>BA 725 Cylindrical Scrub Brushes</b>		
**	56109669	1 Strap Kit-D	**	56412191	2 Soft Nylon
<b>Accessories</b>			**	56412192	2 Hard Nylon
**	56315316	A/R Tote Bag	**	56412046	2 Prolene
**	56409441	A/R Programmer, 1307 User	**	56412193	2 180 Grit
**	56409823	A/R Programmer Cable	**	56412194	2 80 Grit
**#		<b>DELETED</b>	**	56412195	2 46 Grit
<b>Optional Batteries</b>			* = Not Shown		
*	80567300	1 Battery, Complete 24v 174 A/H ( <b>set of 4</b> )	** = Optional, Not Included		
*	80566500	1 Battery, Complete 24v 180 A/H ( <b>set of 4</b> )	# = Revised or new since last update		
*	80564500	4 Battery, 6v 174 A/H	<b>NOTE 1:</b> All squeegee blade kits include both front and rear squeegee blades.		
*	80564000	4 Battery, 6v 180 A/H	<b>NOTE 2:</b> Starting with Charger serial # CP240548022382 the charger software can be programmed with a computer and the QuiQ Programmer kit 56315732.		
<b>Optional Battery Chargers</b>					
*	80568700	1 Charger, 24vdc, 20 Amp, 230vac ( <b>UK</b> )			
*	80568400	1 Charger, 24vdc, 20 Amp, 230vac ( <b>EU</b> )			
<b>BA 625 Disk Scrub Brushes</b>					
**	56505750	2 Short Trim Pad Holder			
**	56505195	2 Pad Retainer for 56505750			
**	56505751	2 MagnaGrit			
**	56505752	2 DynaGrit			
**	56505753	2 AgLite			
**	56505754	2 Prolene			
**	56505755	2 ProLite			
**	56505756	2 Union Mix			
**	56505757	2 MidGrit			
**	56505758	2 MidLite Grit			

Pos.	Product no	QTY	Description	Notes
00	56044403	1	LITERATURE PACK EU	[1]
01	56112141	1	KIT-VAC WAND WITH TOTE BAG	
02	56315732	1	QUIQ PROGRAMMER KIT	[2]
03	56315860	1	KIT BA625 DISC	[3]
04	56315861	1	KIT BA725 DISC	[3]
05	56315863	1	KIT BA825 DISC	[3]
06	56315862	1	KIT BA725 C CYL	[3]
07	56315845	1	EDS ON BOARD CHEMICAL KIT	[3]
08	56315846	1	ON BOARD CHARGER KIT-EU	[4]
10	56315347	1	BLADE KIT-SQUEEGEE GUM B	[5]
100	56412191	2	BRUSH SOFT NYLON 28-YELLOW	[6]
101	56412192	2	BRUSH HARD NYLON 28-NATURAL	
102	56412046	2	BRUSH POLYPROPYLENE 28-RED	
103	56412193	2	BRUSH 180 GRIT 28-BLUE/GREY	
104	56412194	2	BRUSH 80 GRIT 28 BLACK	[6]
105	56412195	2	BRUSH 46 GRIT 28 ORANG/BROWN	[6]
11	56315351	1	BLADE KIT-SQEGEE RED GUM B	[5]
12	56315854	1	BLADE KIT-SQUEEGEE PU B	[5]
13	56109662	1	STRAP KIT-B	
20	56315348	1	BLADE KIT-SQUEEGEE GUM C	[5]
21	56315352	1	BLADE KIT-SQEGEE RED GUM C	[5]
22	56315855	1	BLADE KIT-SQUEEGEE PU C	[5]
23	56109666	1	STRAP KIT-C	
30	56315674	1	BLADE KIT-SQUEEGEE GUM D	[5]
31	56314865	1	BLADE KIT-SQEGEE RED GUM D	[5]
32	56315856	1	BLADE KIT-SQUEEGEE PU D	[5]
33	56109669	1	STRAP KIT-D	
40	56315316	1	TOTE BAG	
41	56409441	1	PROGRAMMER 1307 USER	[7]
42	56409823	1	PROGRAMMER CABLE	[1]
50	80567300	1	4 PCS BATTERY 3 ET 174	[8]
51	80566500	1	BATTERY SET	[9]
52	80563211	4	BATT. 6V-175AH WET TUBULAR MONOBLOC	
53	80564000	4	BATT. 6V-180AH GEL MONOBLOC	[10]
60	80522421	1	CHARGER HF 24V 20A SB175R	[11]
61	80522421	1	CHARGER HF 24V 20A SB175R	[12]
70	56505750	2	PAD HOLDER-12 3 LUG	
71	56505195	2	PAD RETAINER	
72	56505751	2	DISC BRUSH-12 MAGNAGRIT 3 LUG	
73	56505752	2	DISC BRUSH-12 DYNAGRIT 3 LUG	
74	56505753	2	DISC BRUSH-12 AGLITE 3 LUG	
75	56505754	2	DISC BRUSH-12 PROLENE 3 LUG	
76	56505755	2	DISC BRUSH-12 PROLITE 3 LUG	
77	56505756	2	DISC BRUSH-12 UNION MIX 3 LUG	
78	56505757	2	DISC BRUSH-12 MIDGRIT 3 LUG	
79	56505758	2	DISC BRUSH-12 MIDLITE 3 LUG	
80	56505800	2	PAD HOLDER-14 3 LUG	
81	56505195	2	PAD RETAINER	
82	56505801	2	DISC BRUSH-14 MAGNAGRIT 3 LUG	
83	56505802	2	DISC BRUSH-14 DYNAGRIT 3 LUG	
84	56505803	2	DISC BRUSH-14 AGLITE 3 LUG	
85	56505804	2	DISC BRUSH-14 PROLENE 3 LUG	
86	56505805	2	DISC BRUSH-14 PROLITE 3 LUG	
87	56505806	2	DISC BRUSH-14 UNION MIX 3 LUG	
88	56505807	2	DISC BRUSH-14 MIDGRIT 3 LUG	
89	56505808	2	DISC BRUSH-14 MIDLITE 3 LUG	
90	56505830	2	PAD HOLDER-16 3 LUG	
91	56505195	2	PAD RETAINER	
92	56505831	2	DISC BRUSH-16 MAGNAGRIT 3 LUG	

Pos.	Product no	QTY	Description	Notes
93	56505832	2	DISC BRUSH-16 DYNAGRIT 3 LUG	
94	56505833	2	DISC BRUSH-16 AGLITE 3 LUG	
95	56505834	2	DISC BRUSH-16 PROLENE 3 LUG	
96	56505835	2	DISC BRUSH-16 PROLITE 3 LUG	
97	56505836	2	DISC BRUSH-16 UNION MIX 3 LUG	
98	56505837	2	DISC BRUSH-16 MIDGRIT 3 LUG	
99	56505838	2	DISC BRUSH-16 MIDLITE 3 LUG	

## Part Notes:

- [1] - EXPIRED NO REPLACEMENT
- [2] - NOTE 2 TSBUS2007-979TSB US 2007-979. Reprogram Delta-Q battery chargers
- [3] - PRUNED ACCESSORY
- [4] - GUARANTEE DATE EXPIRED
- [5] - NOTE 1
- [6] - COMPLEXITY REDUCTION
- [7] - EXPIRED USE 56383571
- [8] - (SET OF 4)  
use 4x 80564500
- [9] - (SET OF 4)  
use 4x 80564000
- [10] - TSB-FC-2019-033 Exide GEL battery  
DE TSB-FC-2019-033 Exide GEL Batterien
- [11] - (UK) (Replaces 80568700)
- [12] - (EU) Replaces 80568400)

We provide brushes and pad holders that will give you the best possible performance between machine and floor. Following are descriptions of the materials and their applications.

- Union Mix: Medium grade natural fibers for polishing finished floors with standard-speed equipment. Recommended for use in place of white pads.
- ProLite: Bristles are made from light-duty polypropylene for general scrubbing when you do not want to scratch or remove finish from the floor. Recommended for use in place of red pads.
- Prolene: Polypropylene material for medium-duty scrubbing on concrete, terrazzo and vinyl floor tile. Recommended for use in place of green or blue pads.
- Magna Grit: For extreme heavy-duty scrubbing or stripping of floors. This brush has extra large diameter silicon carbide grit impregnated synthetic bristles. Recommended for use in place of black pads.
- Dyna Grit: For aggressive, heavy-duty scrubbing or stripping of floors. Recommended for use in place of brown pads.
- MidLite Grit: For general purpose scrubbing of sealed or unsealed concrete, stone, terrazzo, quarry tile and other resilient hard floor surfaces. Recommended for use in place of green or blue pads.
- MidGrit: For general purpose scrubbing when you need a lighter action for sealed or unsealed concrete, stone, terrazzo, quarry tile and other resilient hard floor surfaces. Recommended for use in place of green or blue pads.
- AgLite Grit: For light scrubbing when used wet; buffing or polishing when used dry on urethane coated, sealed concrete or other resilient hard surface floors. Recommended for use in place of red or white pads.
- Short Trim
- Pad Holder: Made with a structural foam block and center ring for correct pad centering. It has a "shower feed" design for getting solution to the floor.

**BA 625 BRUSHES**

- 56505750 - Short Trim Pad Holder
- 56505195 - Pad Retainer for 56505750
- 56505751 - MagnaGrit
- 56505752 - DynaGrit
- 56505753 - AgLite
- 56505754 - Prolene
- 56505755 - ProLite
- 56505756 - Union Mix
- 56505757 - MidGrit
- 56505758 - MidLite Grit

**BA 725 BRUSHES**

- 56505800 - Short Trim Pad Holder
- 56505195 - Pad Retainer for 56505800
- 56505801 - MagnaGrit
- 56505802 - DynaGrit
- 56505803 - AgLite
- 56505804 - Prolene
- 56505805 - ProLite
- 56505806 - Union Mix
- 56505807 - MidGrit
- 56505808 - MidLite Grit

**BA 825 BRUSHES**

- 56505830 - Short Trim Pad Holder
- 56505195 - Pad Retainer for 56505800
- 56505831 - MagnaGrit
- 56505832 - DynaGrit
- 56505833 - AgLite
- 56505834 - Prolene
- 56505835 - ProLite
- 56505836 - Union Mix
- 56505837 - MidGrit
- 56505838 - MidLite Grit

**DISC BRUSH APPLICATION GUIDE (SUGGESTION ONLY)**

Application	46 Grit	80 Grit	180 Grit	240 Grit	500 Grit	Prolene	ProLite	Union Mix
<b>Stripping:</b>								
Concrete	X	X						
Terrazzo	X	X						
Ceramic/Quarry tile		X						
Vinyl tile		X						
<b>General Scrubbing:</b>								
Concrete	X	X	X	X		X		
Terrazzo			X	X	X	X		
Ceramic/Quarry tile			X	X	X	X		
Marble					X		X	
Vinyl tile			X		X	X		
Raised-rubber tile					X		X	
<b>Polishing:</b>								
Raised Disc Tile								X
Marble								X
Vinyl tile								X

Pos.	Product no	QTY	Description	Notes
01	56505750	1	PAD HOLDER-12 3 LUG	
02	56505195	1	PAD RETAINER	
03	56505751	1	DISC BRUSH-12 MAGNAGRIT 3 LUG	
04	56505752	1	DISC BRUSH-12 DYNAGRIT 3 LUG	
05	56505753	1	DISC BRUSH-12 AGLITE 3 LUG	
06	56505754	1	DISC BRUSH-12 PROLENE 3 LUG	
07	56505755	1	DISC BRUSH-12 PROLITE 3 LUG	
08	56505756	1	DISC BRUSH-12 UNION MIX 3 LUG	
09	56505757	1	DISC BRUSH-12 MIDGRIT 3 LUG	
10	56505758	1	DISC BRUSH-12 MIDLITE 3 LUG	
20	56505800	1	PAD HOLDER-14 3 LUG	
21	56505195	1	PAD RETAINER	
22	56505801	1	DISC BRUSH-14 MAGNAGRIT 3 LUG	
23	56505802	1	DISC BRUSH-14 DYNAGRIT 3 LUG	
24	56505803	1	DISC BRUSH-14 AGLITE 3 LUG	
25	56505804	1	DISC BRUSH-14 PROLENE 3 LUG	
26	56505805	1	DISC BRUSH-14 PROLITE 3 LUG	
27	56505806	1	DISC BRUSH-14 UNION MIX 3 LUG	
28	56505807	1	DISC BRUSH-14 MIDGRIT 3 LUG	
29	56505808	1	DISC BRUSH-14 MIDLITE 3 LUG	
40	56505830	1	PAD HOLDER-16 3 LUG	
41	56505195	1	PAD RETAINER	
42	56505831	1	DISC BRUSH-16 MAGNAGRIT 3 LUG	
43	56505832	1	DISC BRUSH-16 DYNAGRIT 3 LUG	
44	56505833	1	DISC BRUSH-16 AGLITE 3 LUG	
45	56505834	1	DISC BRUSH-16 PROLENE 3 LUG	
46	56505835	1	DISC BRUSH-16 PROLITE 3 LUG	
47	56505836	1	DISC BRUSH-16 UNION MIX 3 LUG	
48	56505837	1	DISC BRUSH-16 MIDGRIT 3 LUG	
49	56505838	1	DISC BRUSH-16 MIDLITE 3 LUG	

We provide brushes and pad holders that will give you the best possible performance between machine and floor. Following are descriptions of the materials and their applications.

- 46 Grit Brush: Most aggressive grit brush. Used primarily to clean heavy buildup on concrete floors in factories, or for heavy stripping of finish.
  
- 80 Grit Brush: Medium aggressive grit brush. Good all-around brush for medium to heavy buildup removal. Can also be used for general stripping operations.
  
- 180 Grit Brush: Least aggressive grit brush. Used for daily cleaning of hard-finished floors.
  
- Polypropylene Brush: Standard equipment brush. Low cost, yet effective in cleaning many common floor surfaces.
  
- Stiff Nylon Brush: Cleaning action similar to polypropylene. More durable and wear-resistant than polypropylene.
  
- Soft Nylon Brush: Least aggressive brush available. Used on soft-finish floors where a more aggressive brush would leave scratch marks, or in applications requiring very light cleaning.

**BA 725 BRUSHES**

- 56412191 - Soft Nylon
- 56412192 - Hard Nylon
- 56412046 - Prolene
- 56412193 - 180 Grit
- 56412194 - 80 Grit
- 56412194 - 46 Grit

**CYLINDRICAL BRUSH APPLICATION GUIDE (SUGGESTION ONLY)**

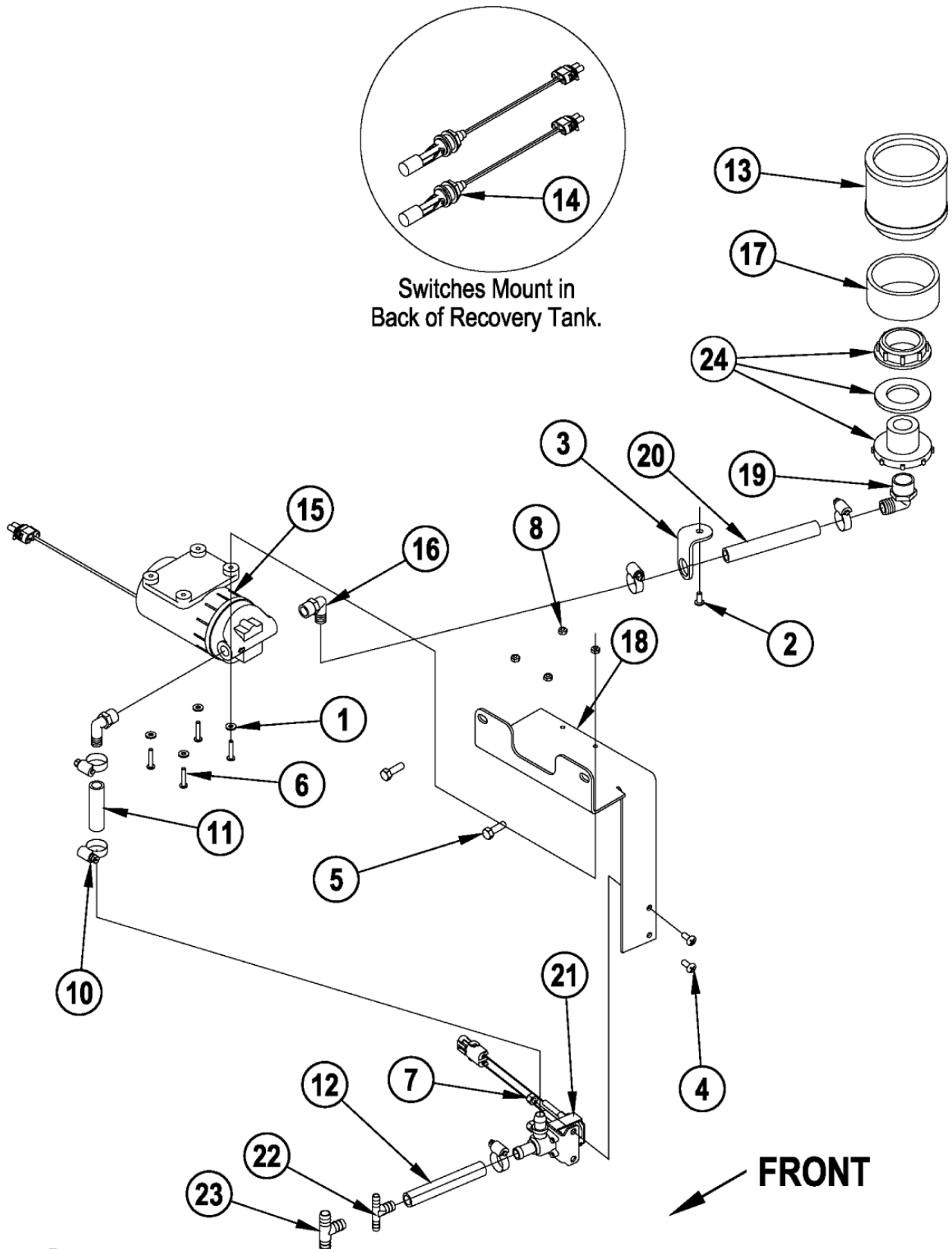
Application	46 Grit	80 Grit	180 Grit	Polypropylene	Stiff Nylon	Soft Nylon
<b>Stripping:</b>						
Concrete	X	X				
Terrazzo	X	X				
Ceramic/Quarry tile		X				
Vinyl tile		X				
<b>General Scrubbing:</b>						
Concrete	X	X	X	X	X	
Terrazzo			X	X	X	X
Ceramic/Quarry tile			X	X	X	X
Marble			X		X	X
Vinyl tile			X	X	X	X
Raised-rubber tile			X			X

---

Pos.	Product no	QTY	Description	Notes
01	56412191	1	BRUSH SOFT NYLON 28-YELLOW	[1]
02	56412192	2	BRUSH HARD NYLON 28-NATURAL	
03	56412046	3	BRUSH POLYPROPYLENE 28-RED	
04	56412193	4	BRUSH 180 GRIT 28-BLUE/GREY	
05	56412194	5	BRUSH 80 GRIT 28 BLACK	[1]
06	56412194	6	BRUSH 80 GRIT 28 BLACK	[1]

## Part Notes:

[1] - COMPLEXITY REDUCTION



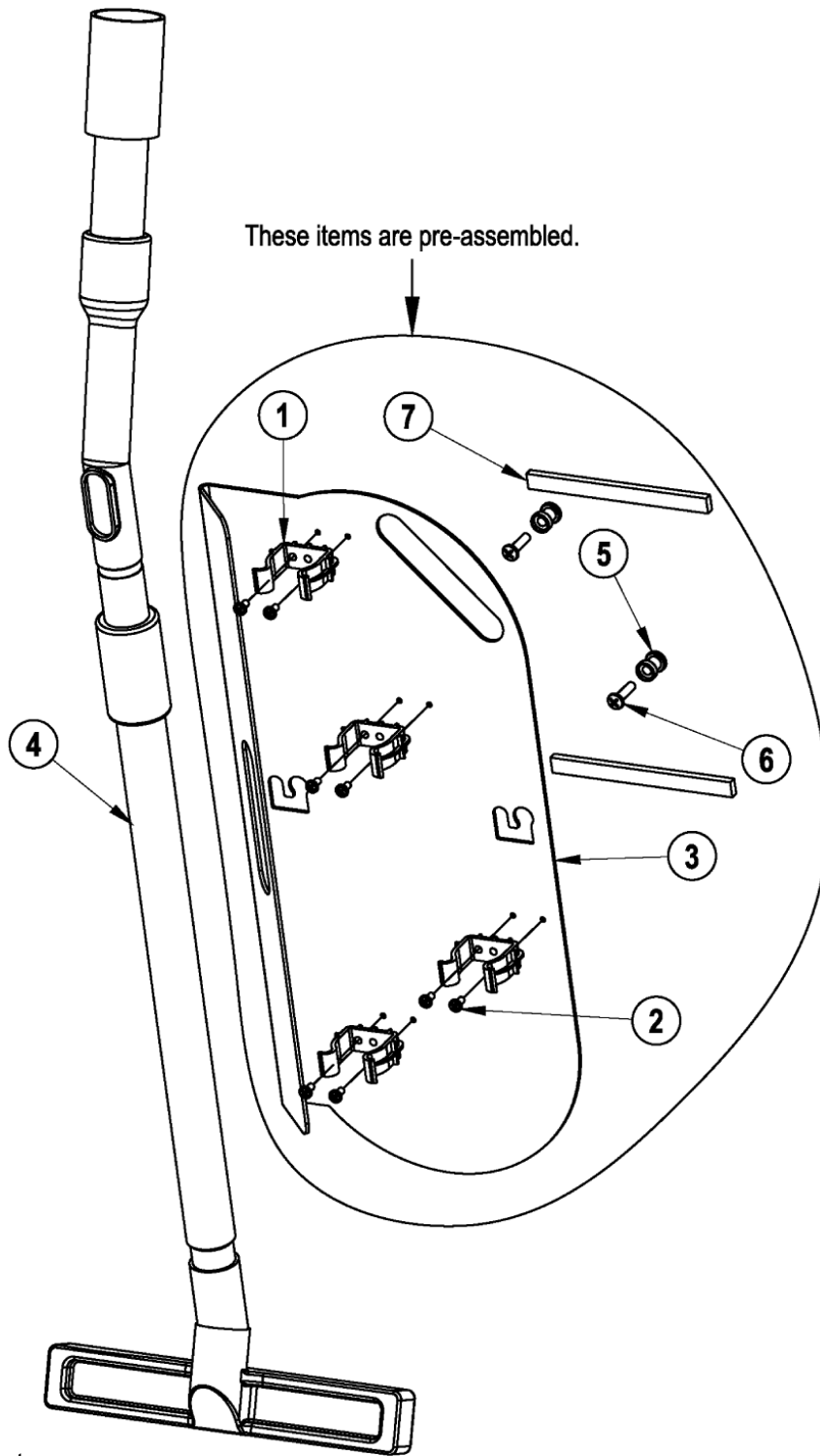
Resource notes:

NOTE #1: Items (1, 4, 6, 7, 8, 10, 11, 12, 15, 16, 18, 20, 21 & 22) are pre-assembled. NOTE #2: Tee 56262549 is only used on machines with a 1/2" I.D. solution hose feeding the deck.

Pos.	Product no	QTY	Description	Notes
	56315168	1		
01	56001954	4	WSH FLT SAE 10	[1]
02	56002145	1	SCR PAN PHIL 1/4-20 X .50	
03	56315381	1	BRACKET	[2]
04	56002066	2	SCR PAN PHIL 1/4-20 X .62	
05	56002221	2	SCR HEX 5/16-18 X 1.00	
06	56002674	4	SCR PAN PHIL 10-24 X 1.00	
07	56002708	2	NUT HEX NYL LOC 1/4-20	
08	56002832	4	NUT HEX NYL LOC-THIN 10-24	
10	56219932	5	CLAMP HOSE SAE 6 E00047	[3]
11	56262180	1	HOSE SPIRAL .50 X 7 E00604	
12	56262663	1	HOSE PVC .500 X 9 E00199	
13	56315094	1	FILTER	
14	56315096	2	SWITCH FLOAT	
15	56315132	1	PUMP 24V DC	[4]
16	56109566	2	BARB 90 ELBOW 1/2 X 3/8 NPT	
17	56315292	1	PVC TUBING 1.19	[2]
18	56315328	1	BRACKET EXTENDED SCRUB	[2]
19	56324035	1	ELBOW E00037	
20	56395870	1	HOSE E00604	
21	56397203	1	SOLUTION VALVE ASSY.	
22	56397300	1	TEE BARB	
23	56262549	1	TEE E00455	[5]
24	56109518	1	THRU WALL BULK HEAD	[2]

## Part Notes:

- [1] - #10
- [2] - SEE PI 2017-002
- [3] - #6
- [4] - NO LONGER AVAILABLE
- [5] - NOTE #2



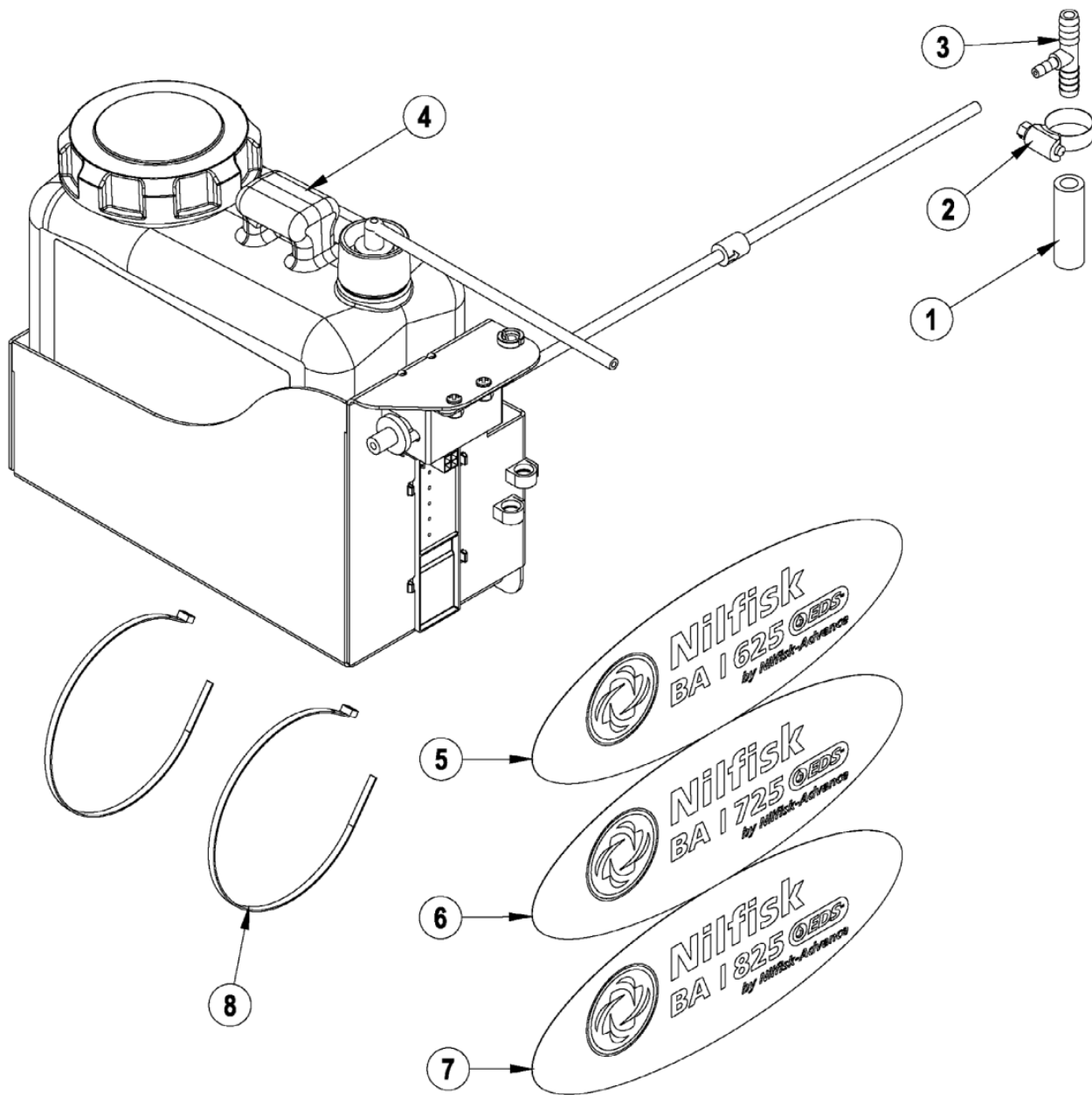
Resource notes:

NOTE: Items (1, 2, 3 & 7) come preassembled.

Pos.	Product no	QTY	Description	Notes
	56112141	1	KIT-VAC WAND WITH TOTE BAG	
01	56407361	4	CLAMP PLASTIC	
02	56009030	8	SCR PAN PHIL THD FOM 10-24X.38	
03	56315232	1	BRACKET WAND	[1]
04	56315309	1	SCRUB/VAC WAND & HOSE	
05	56315311	2	SPACER STEPPED	
06	56002292	2	SCR PAN PHIL 1/4-20 X 1.00	
07	56315344	2	GASKET STRIP	

## Part Notes:

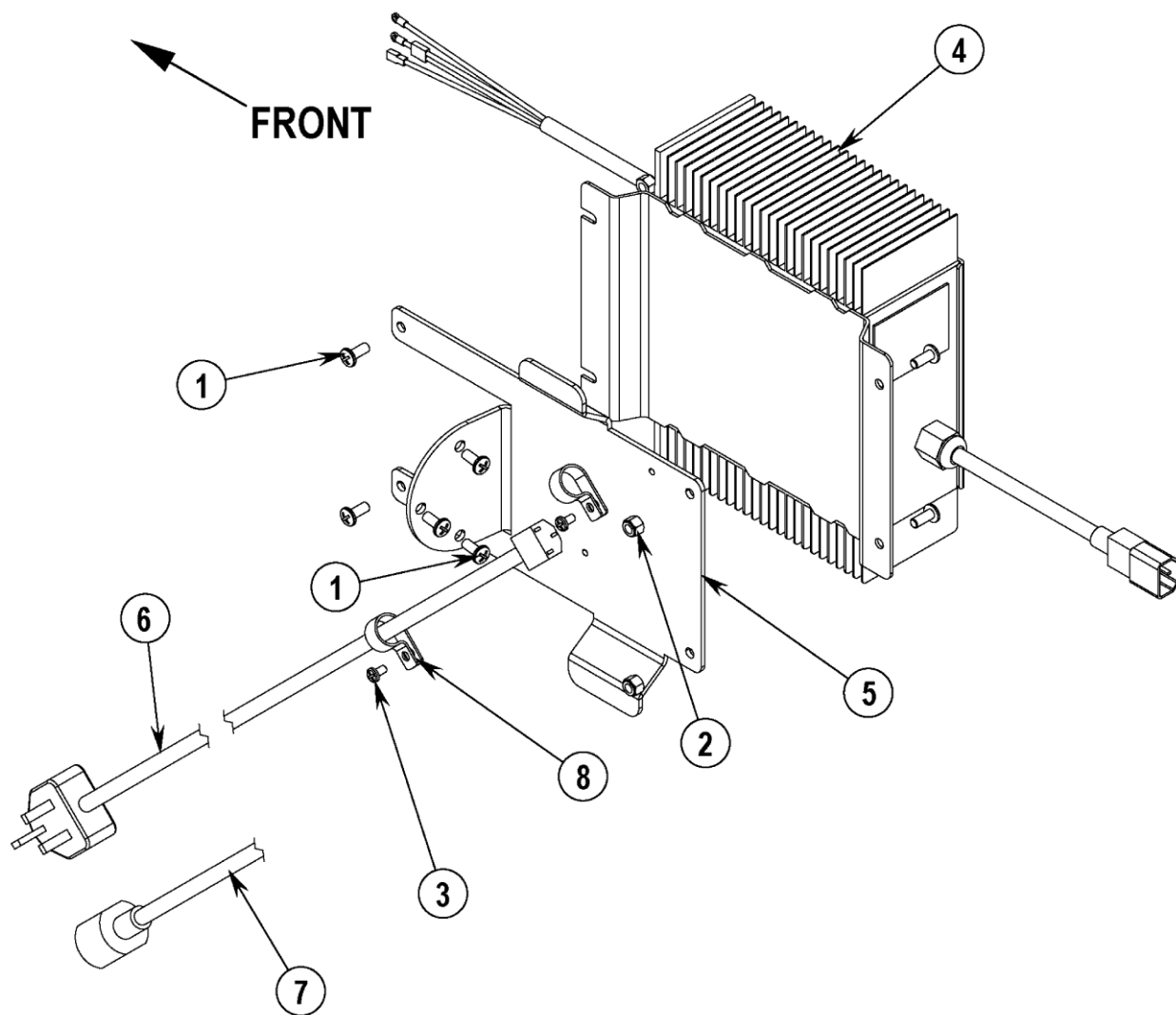
[1] - SEE PI 2017-002



Pos.	Product no	QTY	Description	Notes
	56315845	1	EDS ON BOARD CHEMICAL KIT	[1]
01	56412187	1	SOLUTION TUBE E00603	
02	56219932	1	CLAMP HOSE SAE 6 E00047	[2]
03	56315265	1	TEE BARB	
04	56315501	1	CHEMICAL TANK ASSEMBLY	
05	56315833	2	DECAL BA 625 EDS	[3]
06	56315834	2	DECAL BA 725 EDS	[4]
07	56315835	2	DECAL BA 825 EDS	[5]
08	56478523	2	CABLE TIE E00549	

## Part Notes:

- [1] - PRUNED ACCESSORY
- [2] - #6
- [3] - BA625 EDS  
SEE PI 2017-002
- [4] - BA725 EDS  
SEE PI 2017-002
- [5] - BA825 EDS  
SEE PI 2017-002



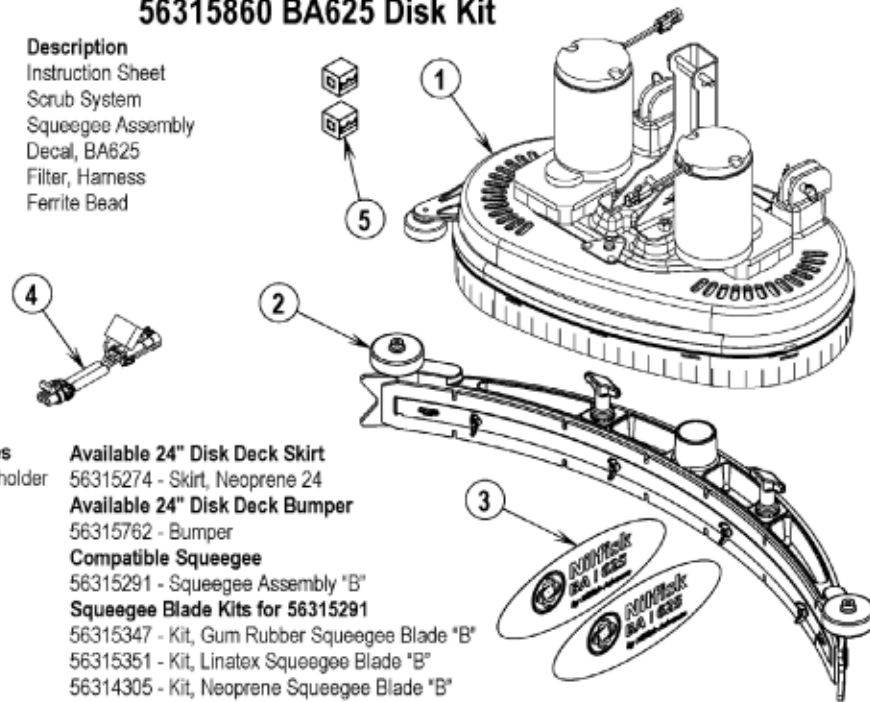
Pos.	Product no	QTY	Description	Notes
	56315846	1	ON BOARD CHARGER KIT-EU	[1]
01	56002066	7	SCR PAN PHIL 1/4-20 X .62	
02	56002708	4	NUT HEX NYL LOC 1/4-20	
03	56009030	2	SCR PAN PHIL THD FOM 10-24X.38	
04	56315124	1	CHARGER ONBOARD 24V	
05	56315206	1	BRACKET CHARGER	
06	56383388	1	CORD-CHARGER EUROPE	
07	56383389	1	CORD-CHARGER UK	
08	56486112	2	CLAMP P	

## Part Notes:

[1] - GUARANTEE DATE EXPIRED

**56315860 BA625 Disk Kit**

Item	Ref. No.	Qty	Description
*	56040932	1	Instruction Sheet
1	NA	1	Scrub System
2	56315291	1	Squeegee Assembly
3	56315830	2	Decal, BA625
4	56315838	1	Filter, Harness
5	56413883	2	Ferrite Bead



**Compatible Scrub Brushes**

- 56505750 - Short Trim Padholder
- 56505751 - MagnaGrit
- 56505752 - DynaGrit
- 56505753 - AgLite
- 56505754 - Prolene
- 56505755 - ProLite
- 56505756 - Union Mix
- 56505757 - MidGrit
- 56505758 - MidLite

**Available 24" Disk Deck Skirt**

- 56315274 - Skirt, Neoprene 24

**Available 24" Disk Deck Bumper**

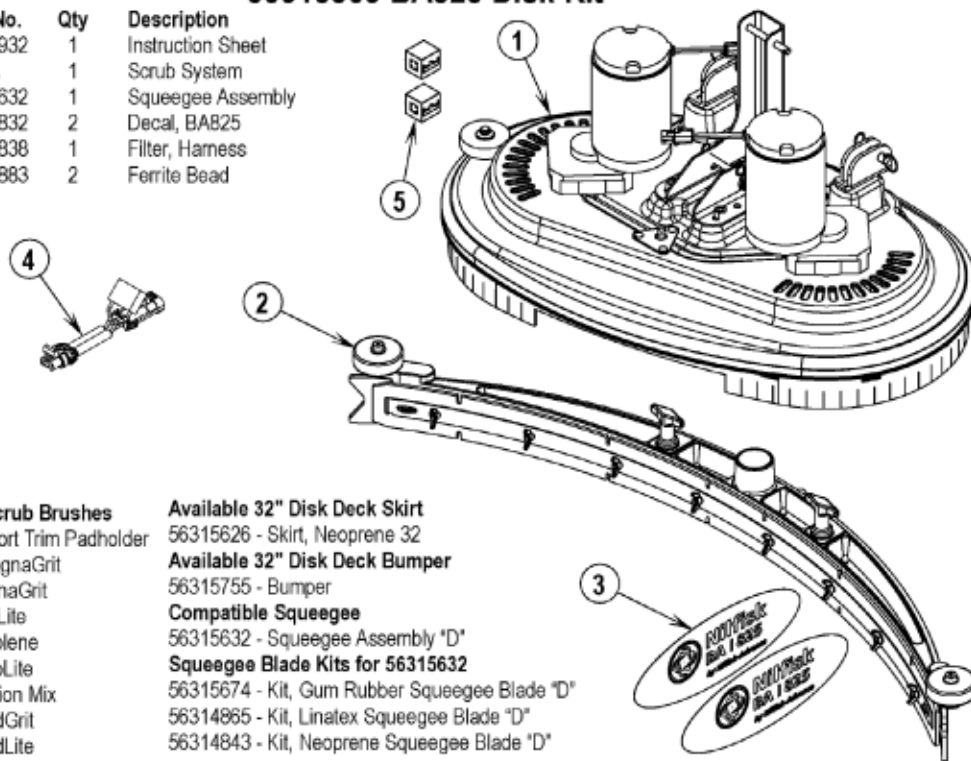
- 56315762 - Bumper

**Compatible Squeegee**

- 56315291 - Squeegee Assembly "B"
- Squeegee Blade Kits for 56315291**
- 56315347 - Kit, Gum Rubber Squeegee Blade "B"
- 56315351 - Kit, Linatex Squeegee Blade "B"
- 56314305 - Kit, Neoprene Squeegee Blade "B"

**56315863 BA825 Disk Kit**

Item	Ref. No.	Qty	Description
*	56040932	1	Instruction Sheet
1	NA	1	Scrub System
2	56315632	1	Squeegee Assembly
3	56315832	2	Decal, BA825
4	56315838	1	Filter, Harness
5	56413883	2	Ferrite Bead



**Compatible Scrub Brushes**

- 56505830 - Short Trim Padholder
- 56505831 - MagnaGrit
- 56505832 - DynaGrit
- 56505833 - AgLite
- 56505834 - Prolene
- 56505835 - ProLite
- 56505836 - Union Mix
- 56505837 - MidGrit
- 56505838 - MidLite

**Available 32" Disk Deck Skirt**

- 56315626 - Skirt, Neoprene 32

**Available 32" Disk Deck Bumper**

- 56315755 - Bumper

**Compatible Squeegee**

- 56315632 - Squeegee Assembly "D"
- Squeegee Blade Kits for 56315632**
- 56315674 - Kit, Gum Rubber Squeegee Blade "D"
- 56314865 - Kit, Linatex Squeegee Blade "D"
- 56314843 - Kit, Neoprene Squeegee Blade "D"

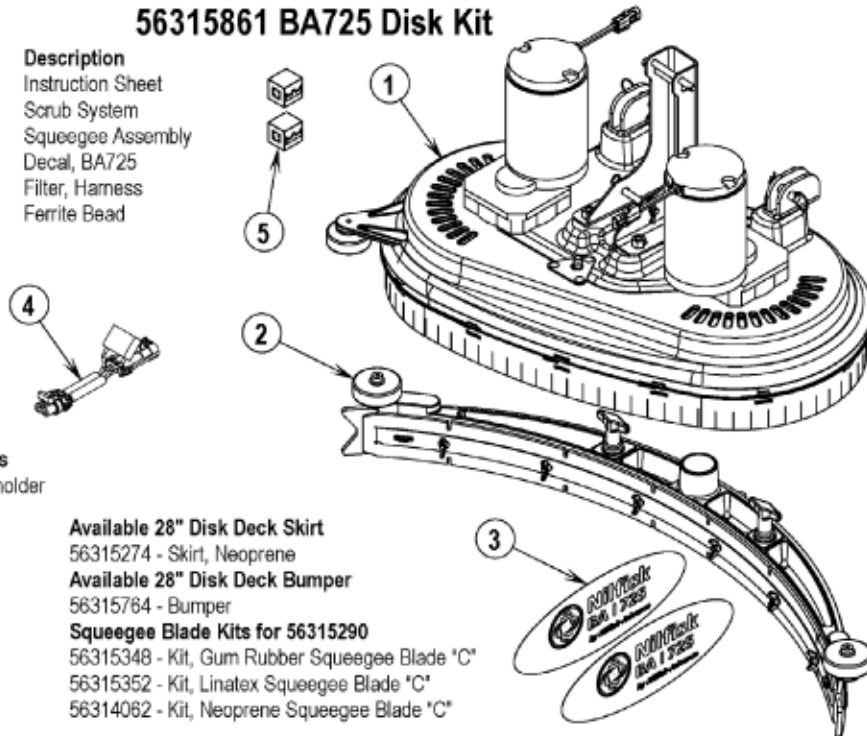
Pos.	Product no	QTY	Description	Notes
01	56315860	1	KIT BA625 DISC	[1]
01	56315863	1	KIT BA825 DISC	[2]
02	56315291	1	SQUEEGEE ASSEMBLY	[3]
02	56315632	1	SQUEEGEE ASSEMBLY D	[4]
03	56315830	2	DECAL BA 625	[5]
03	56315832	2	DECAL BA 825	[6]
04	56315838	2	HARNES FILTER	[7]
05	56413883	2	FERRITE BEAD	

## Part Notes:

- [1] - 56315860  
PRUNED ACCESSORY
- [2] - 56315863  
PRUNED ACCESSORY
- [3] - 56315860
- [4] - 56315863
- [5] - 56315860  
NO LONGER AVAILABLE
- [6] - 56315863  
EXPIRED NO REPLACEMENT
- [7] - GUARANTEE DATE EXPIRED

**56315861 BA725 Disk Kit**

Item	Ref. No.	Qty	Description
*	56040932	1	Instruction Sheet
1	NA	1	Scrub System
2	56315290	1	Squeegee Assembly
3	56315831	2	Decal, BA725
4	56315838	1	Filter, Harness
5	56413883	2	Ferrite Bead



**Compatible Scrub Brushes**

- 56505800 - Short Trim Padholder
- 56505195 - Pad Retainer
- 56505801 - MagnaGrit
- 56505802 - DynaGrit
- 56505803 - AgLite
- 56505804 - Prolene
- 56505805 - ProLite
- 56505806 - Union Mix
- 56505807 - MidGrit
- 56505808 - MidLite

**Available 28" Disk Deck Skirt**

56315274 - Skirt, Neoprene

**Available 28" Disk Deck Bumper**

56315764 - Bumper

**Squeegee Blade Kits for 56315290**

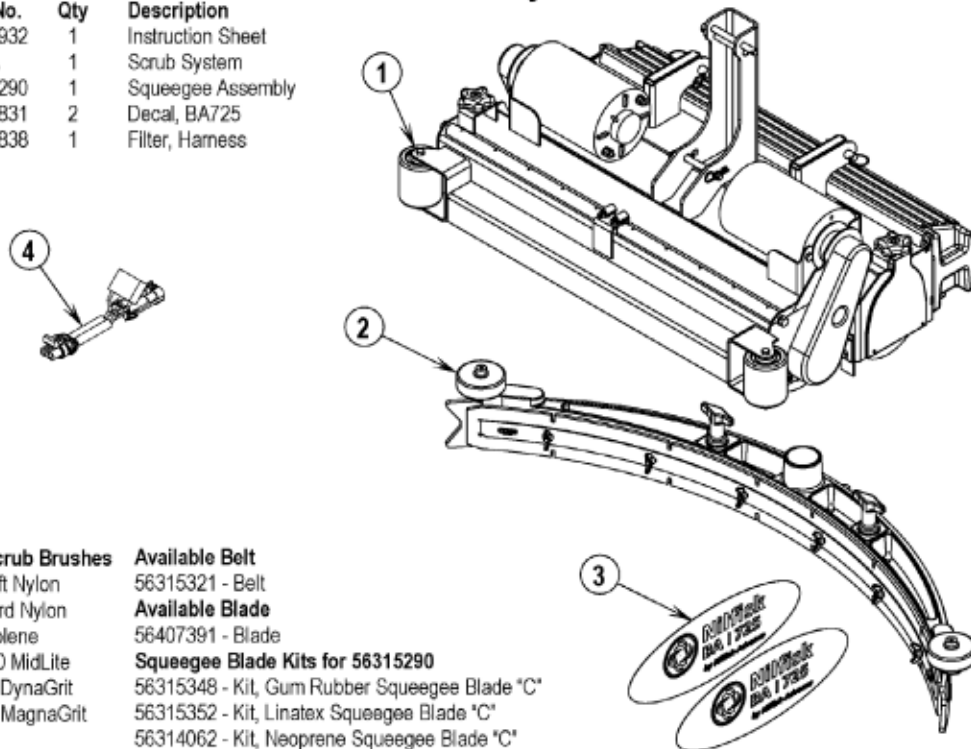
56315348 - Kit, Gum Rubber Squeegee Blade "C"

56315352 - Kit, Linatex Squeegee Blade "C"

56314062 - Kit, Neoprene Squeegee Blade "C"

**56315862 BA725C Cyl. Kit**

Item	Ref. No.	Qty	Description
*	56040932	1	Instruction Sheet
1	NA	1	Scrub System
2	56315290	1	Squeegee Assembly
3	56315831	2	Decal, BA725
4	56315838	1	Filter, Harness



**Compatible Scrub Brushes**

- 56412191 - Soft Nylon
- 56412192 - Hard Nylon
- 56412046 - Prolene
- 56412193 - 180 MidLite
- 56412194 - 80 DynaGrit
- 56412195 - 46 MagnaGrit

**Available Belt**

56315321 - Belt

**Available Blade**

56407391 - Blade

**Squeegee Blade Kits for 56315290**

56315348 - Kit, Gum Rubber Squeegee Blade "C"

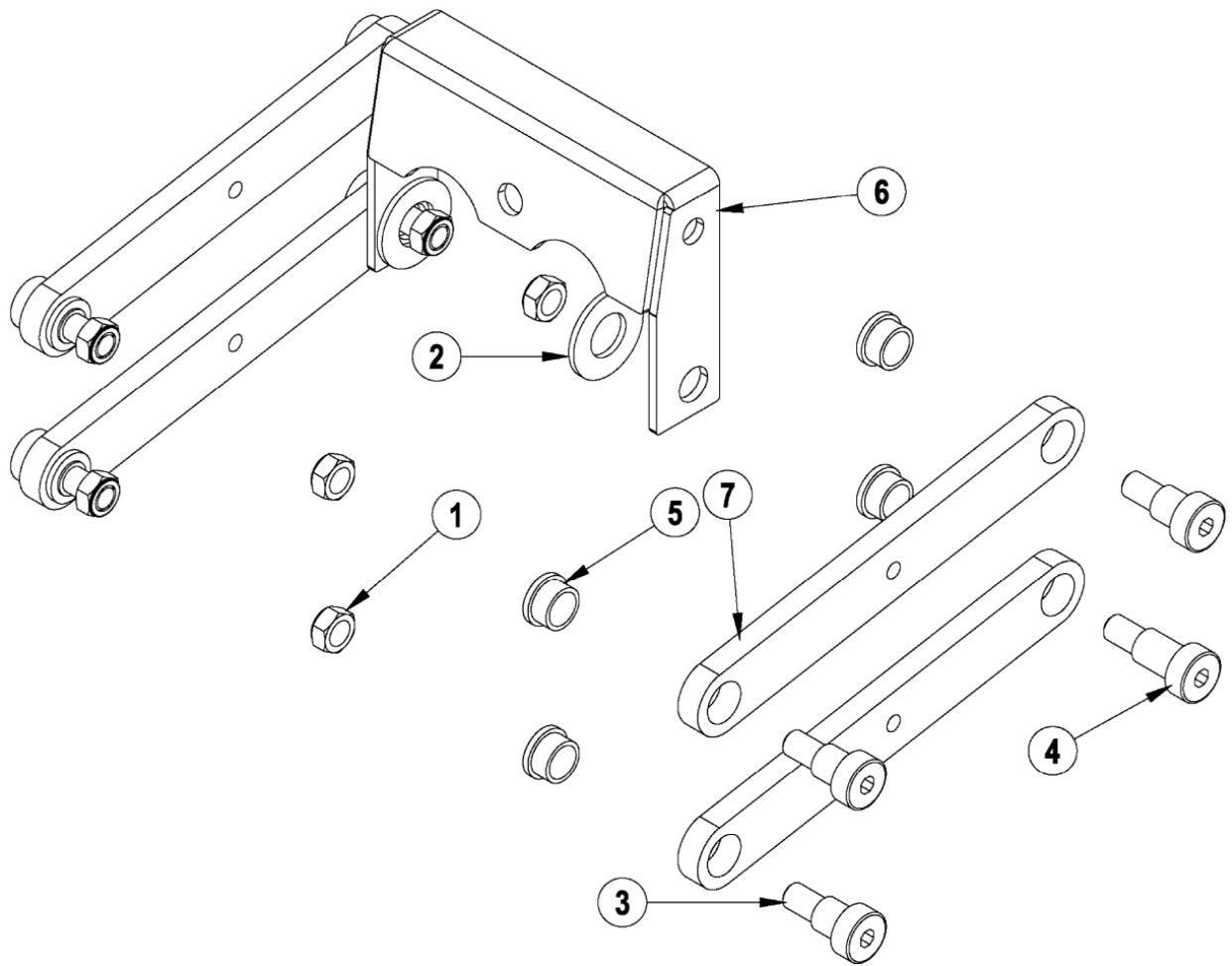
56315352 - Kit, Linatex Squeegee Blade "C"

56314062 - Kit, Neoprene Squeegee Blade "C"

Pos.	Product no	QTY	Description	Notes
01	56315861	1	KIT BA725 DISC	[1]
01	56315862	1	KIT BA725 C CYL	[2]
02	56315290	1	SQUEEGEE ASSEMBLY 32	[3]
03	56315831	2	DECAL BA 725	[4]
04	56315838	2	HARNESS FILTER	[5]
05	56413883	2	FERRITE BEAD	

## Part Notes:

- [1] - 56315861  
PRUNED ACCESSORY
- [2] - 56315862  
PRUNED ACCESSORY
- [3] - 56315861 / 56315862  
NO LONGER AVAILABLE
- [4] - 56315861 / 56315862  
SEE PI 2017-002
- [5] - GUARANTEE DATE EXPIRED



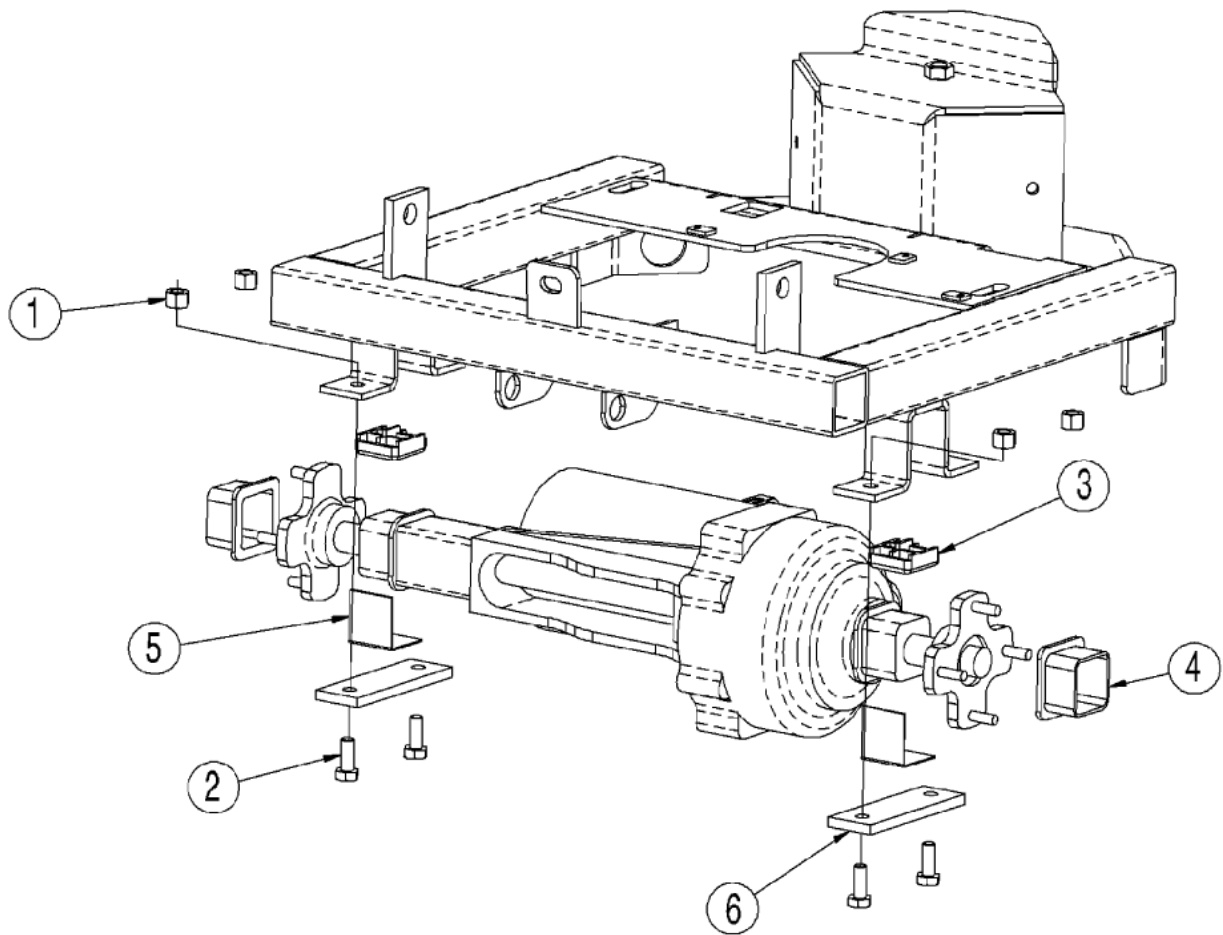
# 56315767 - Squeegee Linkage Kit

BA 725 C

2017.11.02

2018.04.05

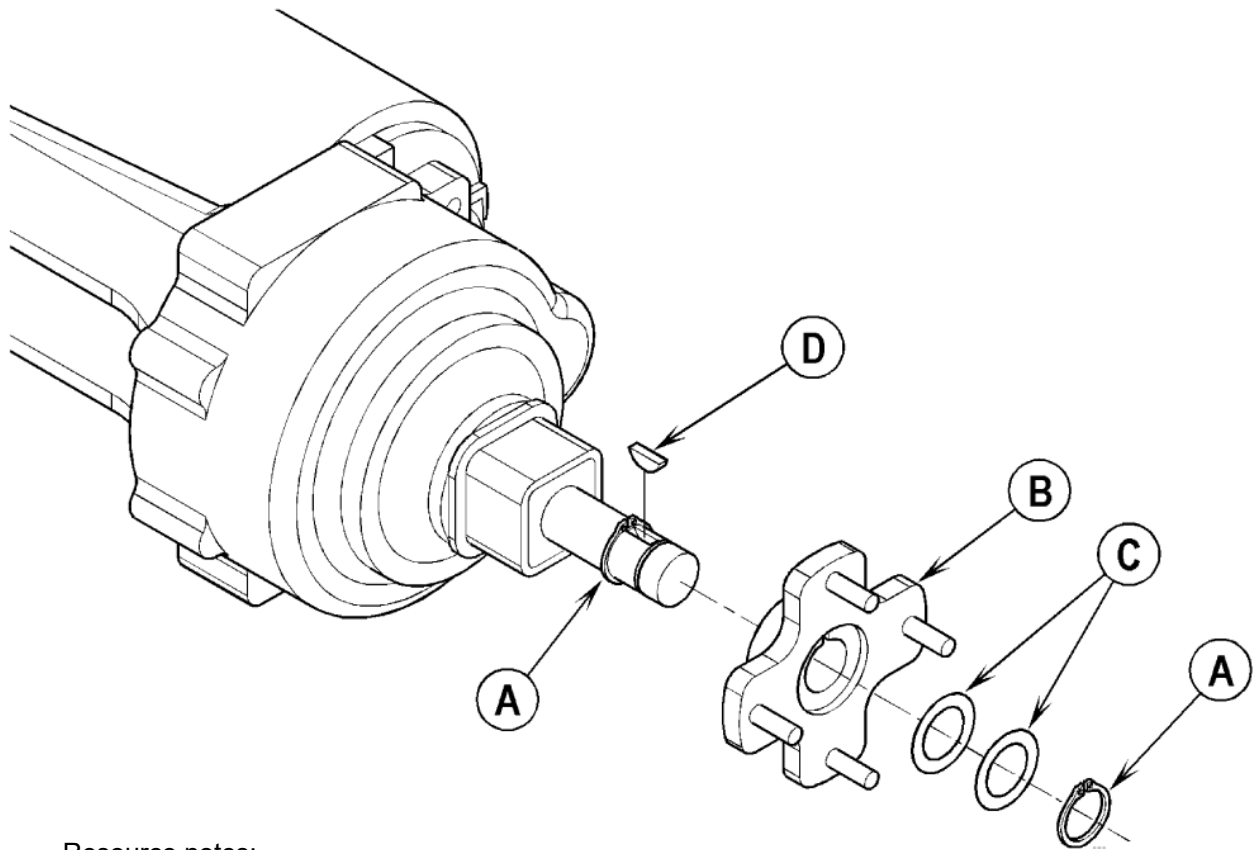
<b>Pos.</b>	<b>Product no</b>	<b>QTY</b>	<b>Description</b>	<b>Notes</b>
01	56002852	8	NUT HEX NYL LOC-THIN SS 3/8-16	
02	56002940	2	WSH FLT SAE SS 5/8	
03	56003682	6	SCR SOC HD SHD .50X.50X3/8-16	
04	56003692	2	SCR SOC SHD .50 X .75 X 3/8-16	
05	56185264	8	BEARING FLANGE E00201	
06	56315713	1	BRACKET SQUEEGEE LEVEL	
07	56315338	4	ARM SQUEEGEE LINKAGE	



Pos.	Product no	QTY	Description	Notes
	56380497	1	KIT TRANSAXLE 24V	
01	56003405	4	NUT HEX NYL LOC SS M8X1.25	
02	56003435	4	SCR HEX SS M8-1.25X20MM	
03	56315258	2	SHIM	
04	56315379	2	MOUNTING SLEEVE NEOPRENE	
05	56380496	2	SHIM ANGLE TRANSAXLE	[1]
06	56380499	2	PLATE TRANSAXLE	

## Part Notes:

[1] - STOCK COVERS GUARANTEE



Resource notes:

Pos.: A + B + C + D is not available

Pos.	Product no	QTY	Description	Notes
00	56380503	1	KIT HUB TRANSAXLE 24V	
0A		2	RETAINING RINGS	[1]
0B		1	WHEEL FLANGE W/FOUR STUDS 1/4-20NC X 1"	[2]
0C		2	STEEL SHIM 1-1/8" OD X 3/4" ID X .010" THICK	[3]
0D		1	WOODRUFF KEY #605	[4]

## Part Notes:

- [1] - RETAINING RINGS
- [2] - WHEEL FLANGE W/FOUR STUDS 1/4-20NC X 1"
- [3] - STEEL SHIM 1-1/8" OD X 3/4" ID X .010" THICK
- [4] - WOODRUFF KEY #605

