

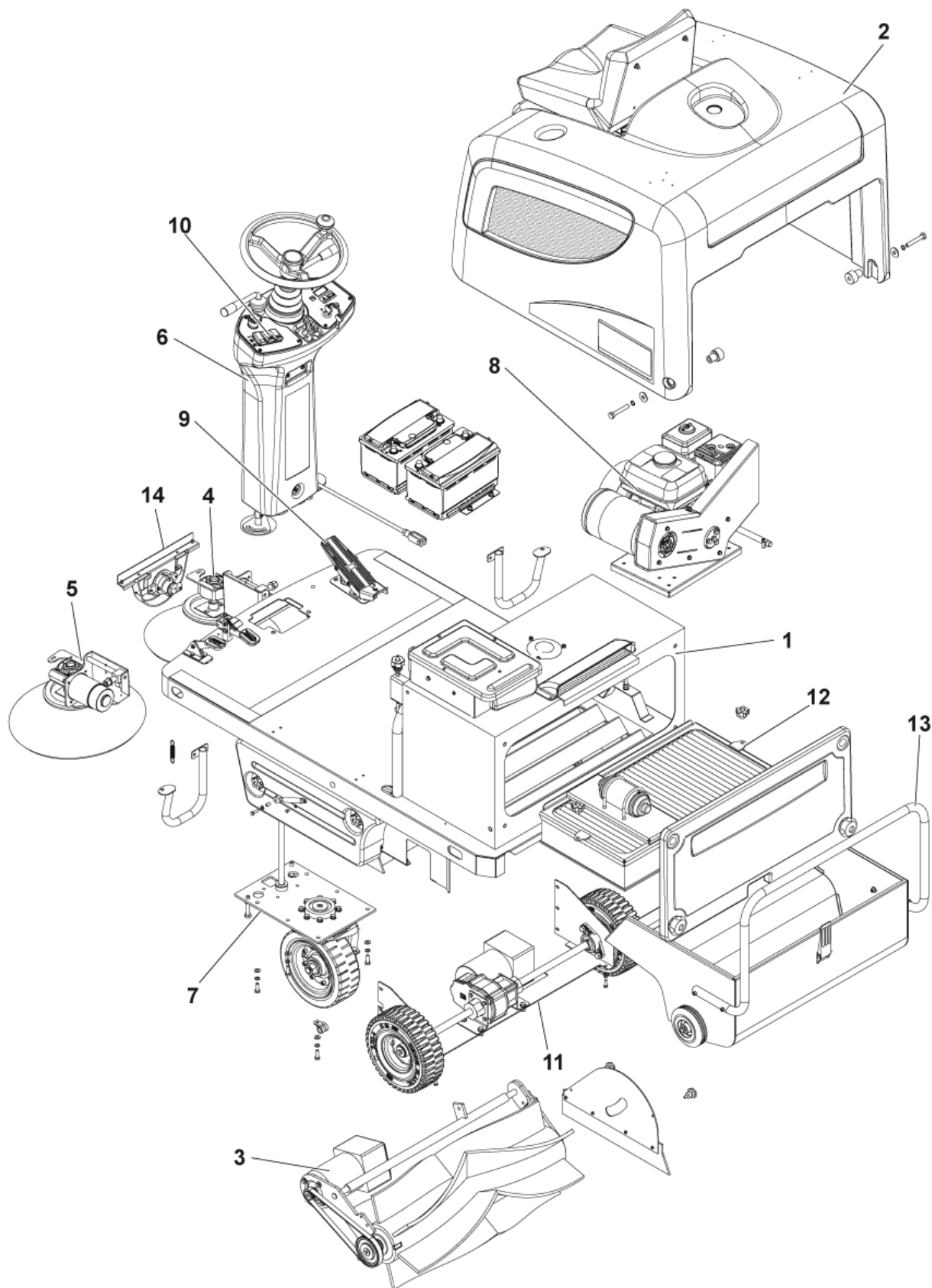
PARTS LIST



2021.11.21

TABLE OF CONTENTS

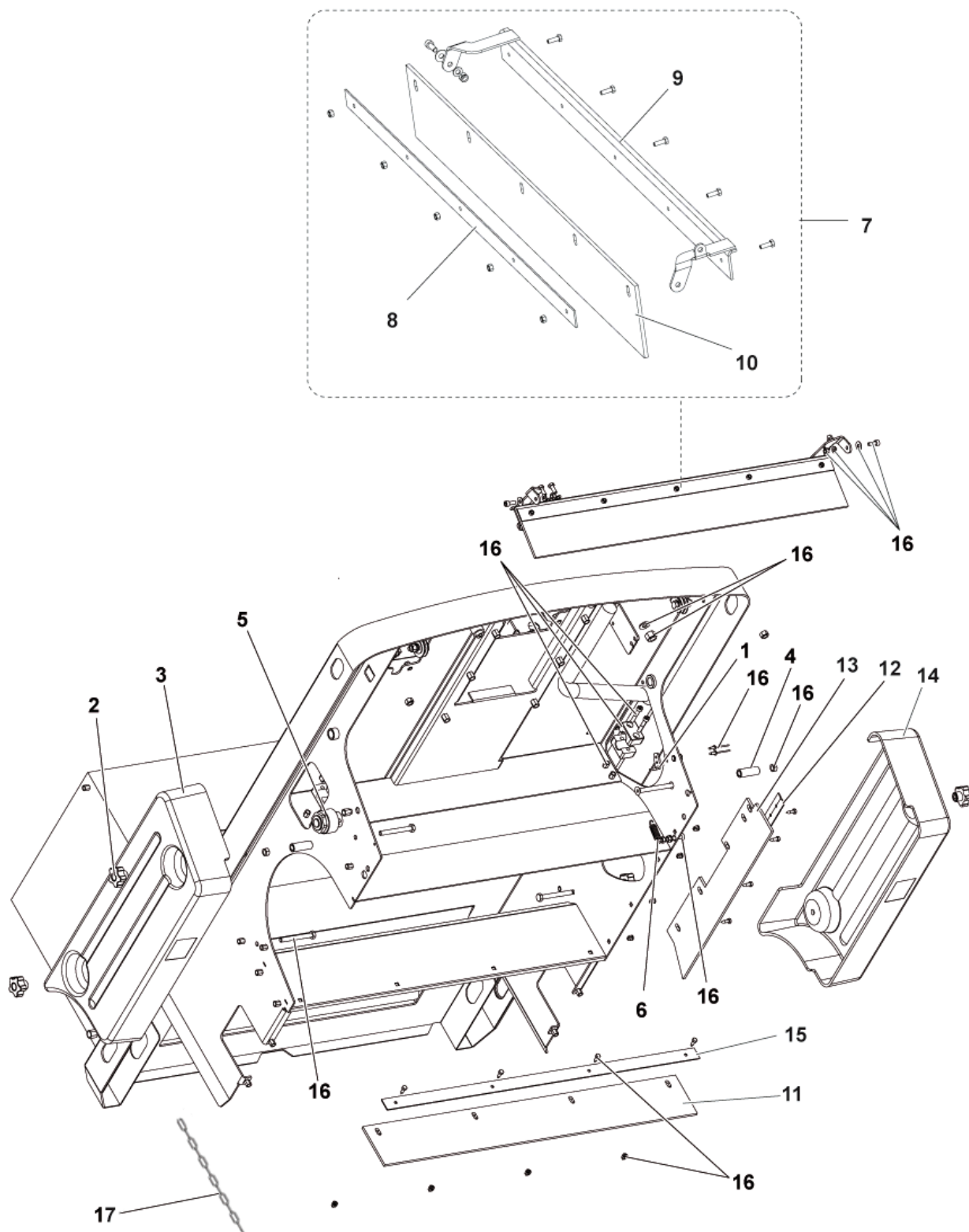
GENERAL VIEW	1
CHASSIS ASSEMBLY 1	3
CHASSIS ASSEMBLY 2	5
BONNET SYSTEM	7
MAIN BROOM ASSEMBLY	9
RIGHT SIDE BROOM ASSY	11
LEFT SIDE BROOM ASSY	13
STEERING SYSTEM	15
FRONT WHEEL	17
PETROL ENGINE ASSEMBLY	19
PETROL ENGINE	21
PEDAL ASSEMBLIES 1	23
PEDAL ASSEMBLIES 2	25
CONTROL PANELS SYSTEM	27
DRIVE SYSTEM	29
DUST CONTROL SYSTEM	31
WASTE CONTAINER ASSEMBLY	33
ELECTRICAL COMPONENTS	35
KIT VACUUM CLEANER	37
KIT WORKING LIGHT	39
KIT FLASHING BEACON - BROOM BUMPER - OVERHEAD GUARD	41
RECOMMENDED SPARE PARTS	43



Pos.	Product no	QTY	Description	Notes
1		1	CHASSIS ASSEMBLY	[1]
2		1	BONNET SYSTEM	[2]
3		1	MAIN BROOM ASSEMBLY	[3]
4		1	RIGHT SIDE BROOM ASSY	[4]
5		1	LEFT SIDE BROOM ASSY	[5]
6		1	STEERING SYSTEM	[6]
7		1	FRONT WHEEL ASSEMBLY	[7]
8		1	PETROL ENGINE ASSEMBLY	[8]
9		1	PEDAL ASSEMBLIES	[9]
10		1	CONTROL PANELS SYSTEM	[10]
11		1	DRIVE SYSTEM	[11]
12		1	FILTER ASSEMBLY	[12]
13		1	WASTE CONTAINER ASSY	[13]
14		1	ACCESSORIES	[14]

Part Notes:

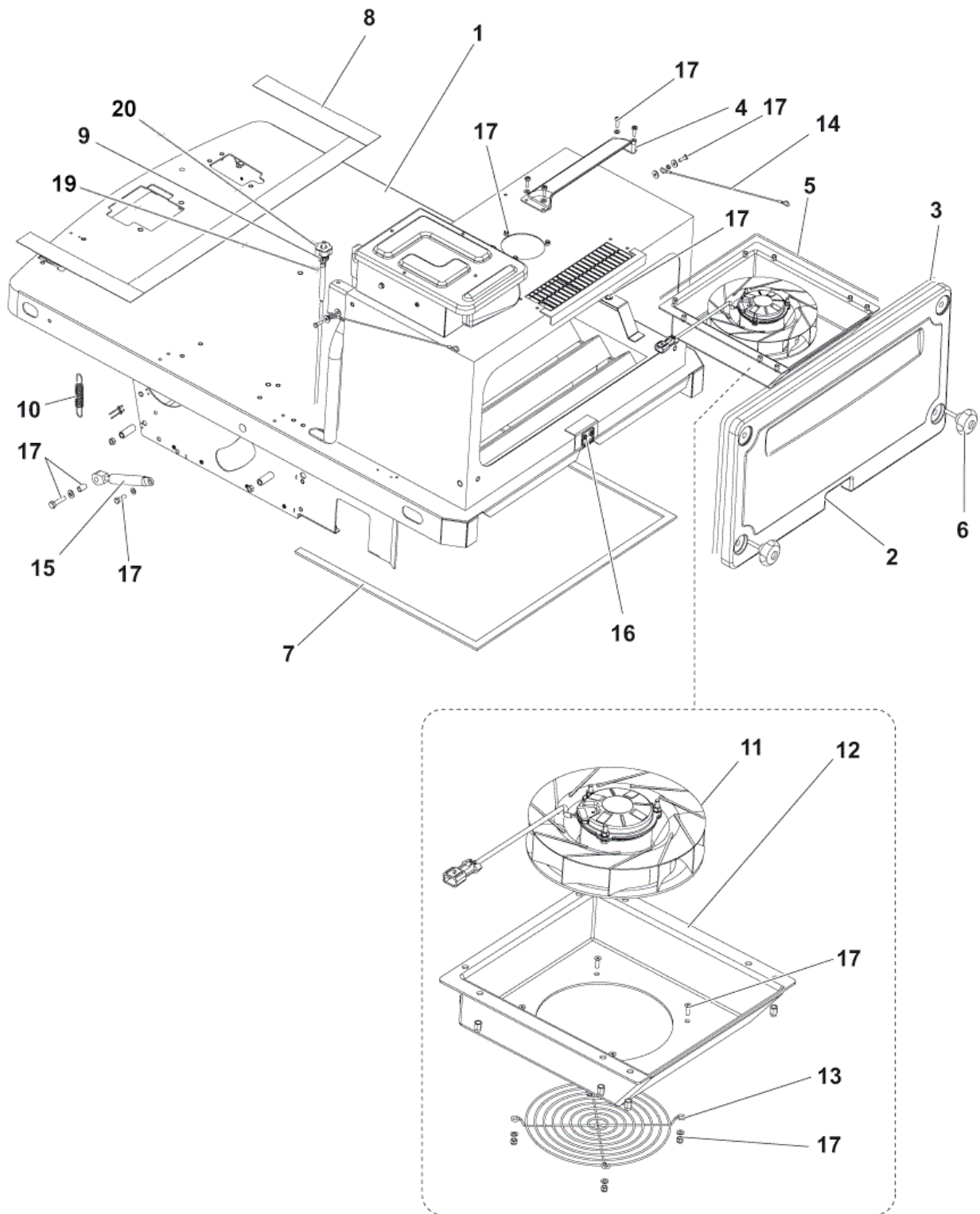
- [1] - CHASSIS ASSEMBLY 1
- [2] - BONNET SYSTEM
- [3] - MAIN BROOM ASSEMBLY
- [4] - RIGHT SIDE BROOM ASSY
- [5] - LEFT SIDE BROOM ASSY
- [6] - STEERING SYSTEM
- [7] - FRONT WHEEL
- [8] - PETROL ENGINE ASSEMBLY
- [9] - PEDAL ASSEMBLIES 1
- [10] - CONTROL PANELS SYSTEM
- [11] - DRIVE SYSTEM
- [12] - DUST CONTROL SYSTEM
- [13] - WASTE CONTAINER ASSEMBLY
- [14] - KIT VACUUM CLEANER



Pos.	Product no	QTY	Description	Notes
1	145 5126 000	1	BRACKET GALV. F CASING RETAINER	
2	9100002017	4	KNOB M8 SIP	
3	146 2210 000	1	HATCH ROTOMOLDED RT SIDE GREY	
4	146 2426 000	4	SPACER D.9X15 H.42.2 BRASS	
5	146 2487 000	1	BUZZER 5-32V DC	
6	145 9579 000	1	SPRING EXTENTION D.E.12 WIRE D.1.6	
7	1464098000	1	SKIRT RAISING DEVICE KIT	
8	145 1970 000	1	PLATE GALV. F FRONT SKIRT	
9	1464061000	1	SKIRT RAISING DEVICE GALV.	
10	1464062000	1	SKIRT FRONT PU BLACK	
11	145 1971 000	1	SKIRT REAR	
12	145 5929 000	1	PLATE GALV. F SIDE SKIRT	
13	145 5927 000	1	SKIRT SIDE	
14	146 2209 000	1	HATCH ROTOMOLDED LT SIDE GREY	
15	145 1972 000	1	PLATE GALV. F REAR SKIRT	
16	1464097000	1	HARDWARE FRAME LOWER KIT	
17	1466135000	1	ANTISTATIC KIT	[1]
18	146 2744 000	1	SKIRTS NON MARKING KIT	[2]

Part Notes:

- [1] - Installation Instructions 1466136000
[2] - OPTIONAL - NOT SHOWN



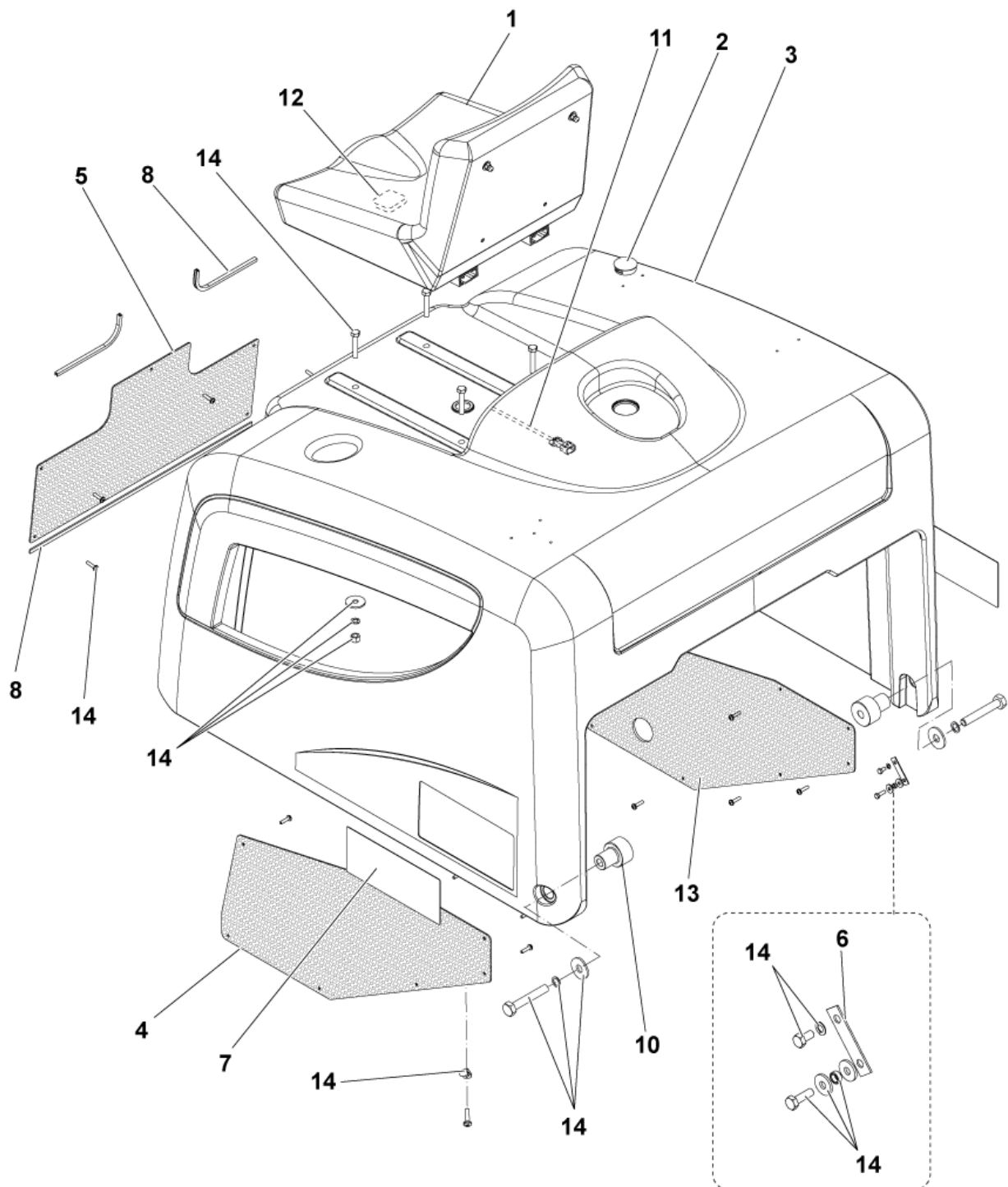
CHASSIS ASSEMBLY 2

SR 1101 P

2018.05.03

2018.05.03

Pos.	Product no	QTY	Description	Notes
1	1463946000	1	CHASSIS METAL GREY	
2	146 2211 000	1	HATCH FILTER PLASTIC GRAY	
3	146 0741 000	1	GASKET BULB RUBBER L.2030MM SIP	
4	1463218000	1	CONVEYOR AIR OUTLET POLYSTYRENE	
5	1463173000	4	GASKET CONVEYOR	
6	146 2427 000	2	KNOB LOBES M8X40 MALE	
7	1463977000	1	GASKETS HOPPER KIT	
8	146 2798 000	1	TAPE ADHESIVE ANTISLIP KIT	
9	1466374000	1	KNOB KNURLED M6 FEMALE SIP	
10	145 9184 000	2	SPRING EXTENSION D.E.12 WIRE D.1.5	
11	1467889000	1	FAN RADIAL 24V KIT	
12	1463217000	1	CONVEYOR AIR INLET POLYSTYRENE	
13	1467690000	1	GRATE PROTECTION MET. RED SIP	
14	L08812362	2	CABLE SQUEEGEE LIFTING L.420MM	
15	9100000855	1	SPRING GAS 30 KG SIP	
16	145 9333 000	1	KEEPER GALV.	
17	1464099000	1	HARDWARE FRAME UPPER KIT	
19	1463959000	1	CABLE MAIN BROOM W/STOPPER L.760MM	
20	146 2470 000	1	KNOB LOBES M6 FEMALE	



Pos.	Product no	QTY	Description	Notes
1	145 1782 000	1	SEAT W/MICROSWITCH	
1	146 2900 000	1	SEAT WITH BELT	[1]
2	1466138000	1	CAP BLACK PPL DE 42X11.5 SIP	
3	146 2208 000	1	BONNET.SEAT HOLDER	
4	146 2421 000	2	GRATE SIDE	
5	146 2422 000	1	GRATE FRONT	
6	146 2424 000	2	PLATE CABLE FIXING GALV.	
7	1463994000	1	DECALS SR 1101 P KIT	
8	146 2801 000	1	GASKET RUBBER FOR BONNET KIT	
9	146 2803 000	1	GASKET RUBBER L.500MM SIP	
10	146 2423 000	2	PIN HOOD GALV.	
11	146 2488 000	1	HARNESS BONNET	
12	146 0336 000	1	MICROSWITCH OPERATOR'S PRESENCE	
13	146 2546 000	1	GRATE SIDE	
14	1464290000	1	HARDWARE BONNET SYST KIT	

Part Notes:

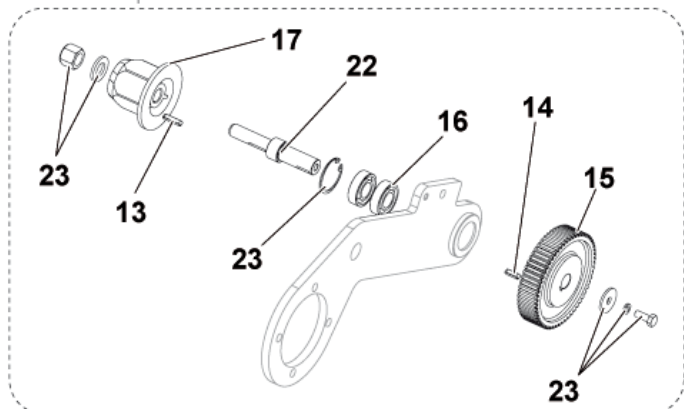
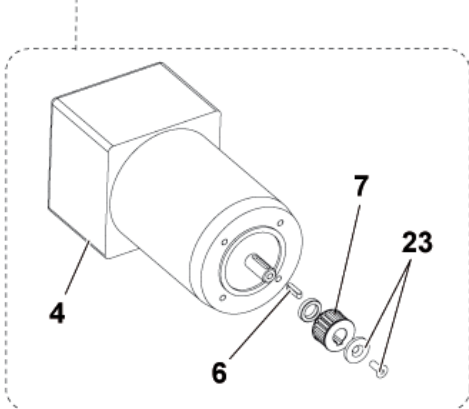
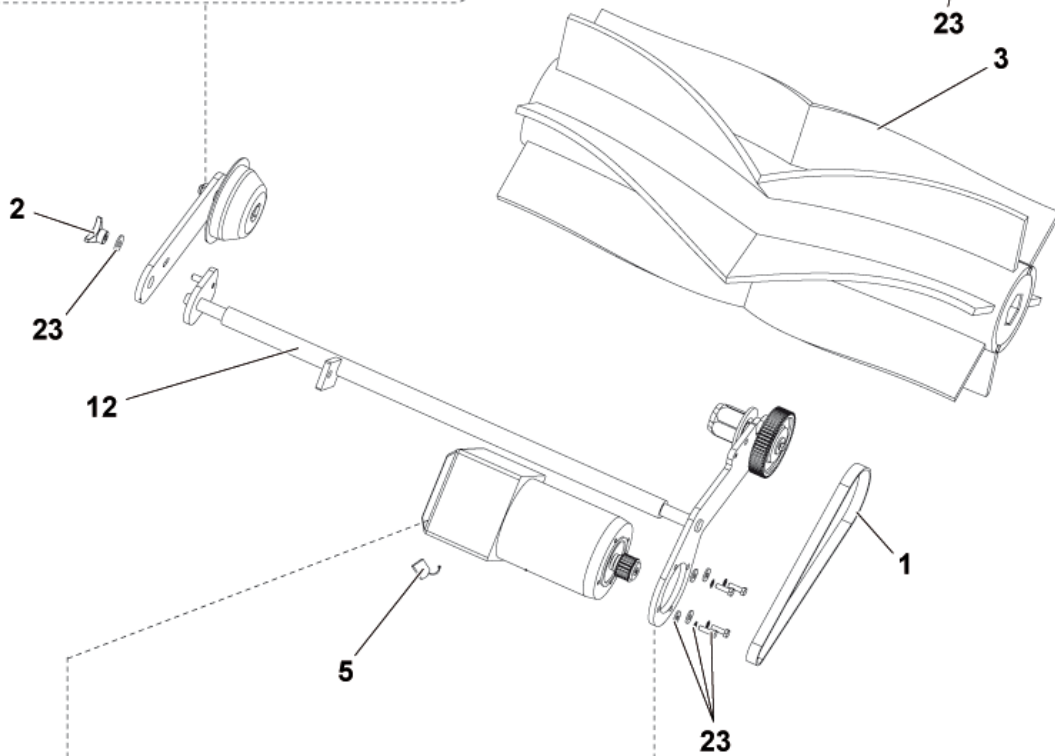
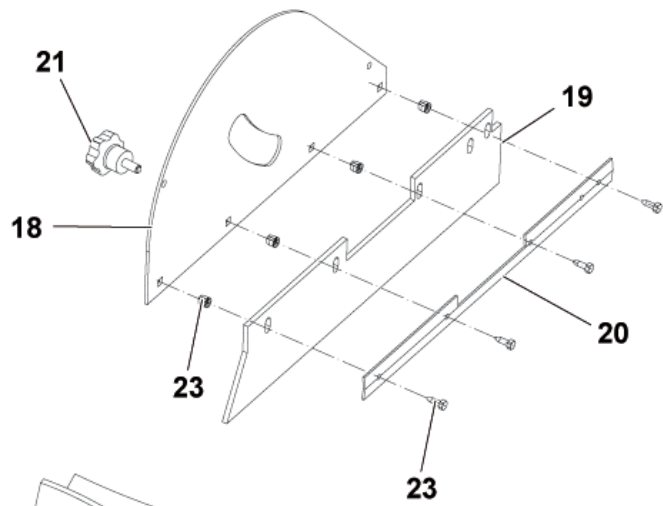
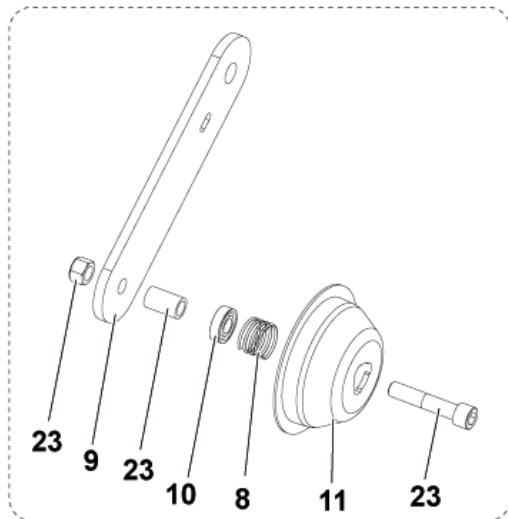
[1] - OPTIONAL

MAIN BROOM ASSEMBLY

SR 1101 P

2017.11.02

2017.10.27



MAIN BROOM ASSEMBLY

SR 1101 P

2017.11.02

2017.10.27

Pos.	Product no	QTY	Description	Notes
1	145 1851 000	1	BELT TIMING HTD 5M 15 710	
2	145 5035 000	1	KNOB LOBES M8 FEMALE	
3	145 4957 000	1	BROOM MAIN 300X700 CHEVRON 6R MIX STEEL	[1]
3	145 6080 000	1	BROOM MAIN 300X700 CHEVRON 6R NATURAL	[1]
3	145 4879 000	1	BROOM MAIN 300X700 CHEVR. 6R PPL 0.5-0.7	
4	146 2792 000	1	MOTOR BROOM MAIN KIT	
5	1464432000	1	CARBON BRUSH 4 PCS SET	
6	1466147000	1	KEY 5X5X20 UNI6604A SIP	
7	145 1849 000	1	PULLEY HTD 20 5M 15 6F	
8	1467024000	1	SPRING COMPRESSION D.E.26 WIRE D.2 SIP	
9	1467720000	1	LEVER GALV. MAIN BROOM SIP	
10	44905699	1	BEARING BALL 6001 2RS SIP	
11	1467023000	1	HUB LT PLASTIC F MAIN BROOM SIP	
12	146 2464 000	1	SHAFT MAIN BROOM GALV.	
13	145 8197 000	1	KEY 4X4X20 UNI6604A	
14	146 1489 000	1	KEY 4X4X15 UNI6604A	
15	145 1850 000	1	PULLEY TIMING BELT ALU HTD 60 5M 15 6W	
16	1467637000	2	BEARING BALL 6002 2RS SIP	
17	1463877000	1	HUB MAIN BROOM PLASTIC	
18	145 1827 000	1	HATCH MAIN BROOM	
19	145 5927 000	1	SKIRT SIDE	
20	145 5929 000	1	PLATE GALV. F SIDE SKIRT	
21	1466153000	2	KNOB LOBED M6X15 SIP	
22	145 1791 000	1	PIN PHOS. F MAIN BROOM	
23	1464291000	1	HARDWARE MAIN BROOM KIT	
24	1464101000	1	CARPET KIT	[2]

Part Notes:

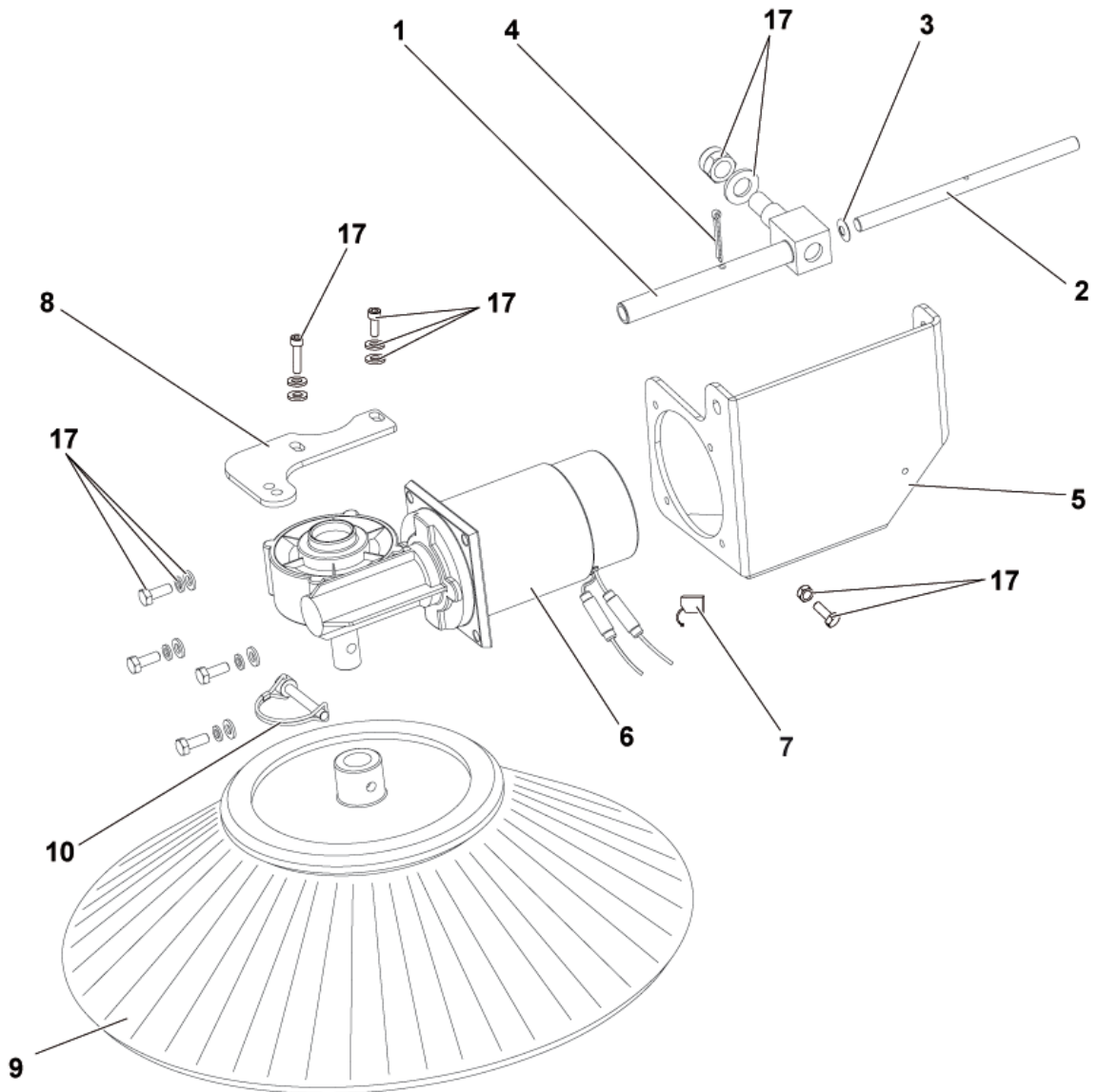
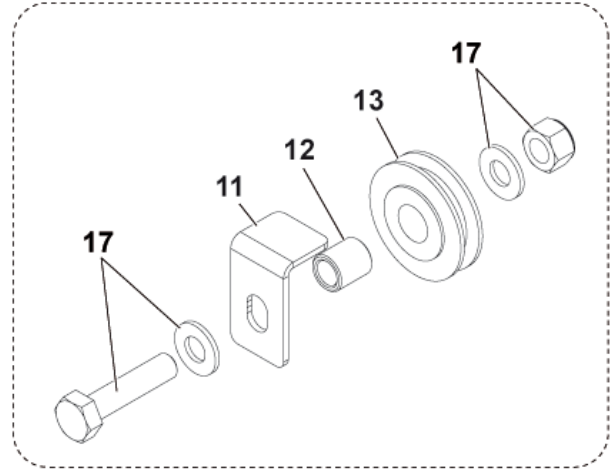
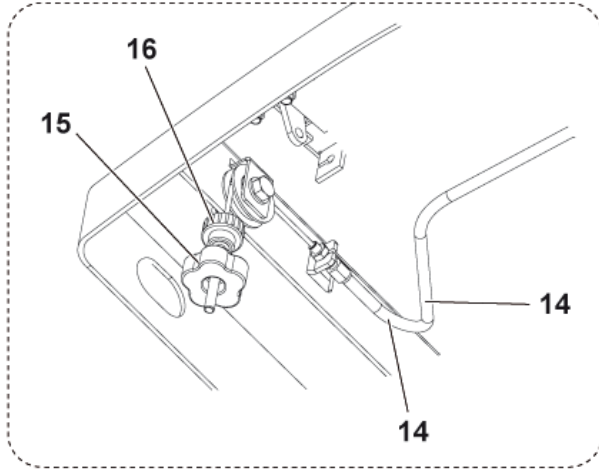
- [1] - OPTIONAL
- [2] - OPTIONAL - NOT SHOWN - INST. INTR. 1464103000

RIGHT SIDE BROOM ASSY

SR 1101 P

2017.11.02

2017.05.26



RIGHT SIDE BROOM ASSY

SR 1101 P

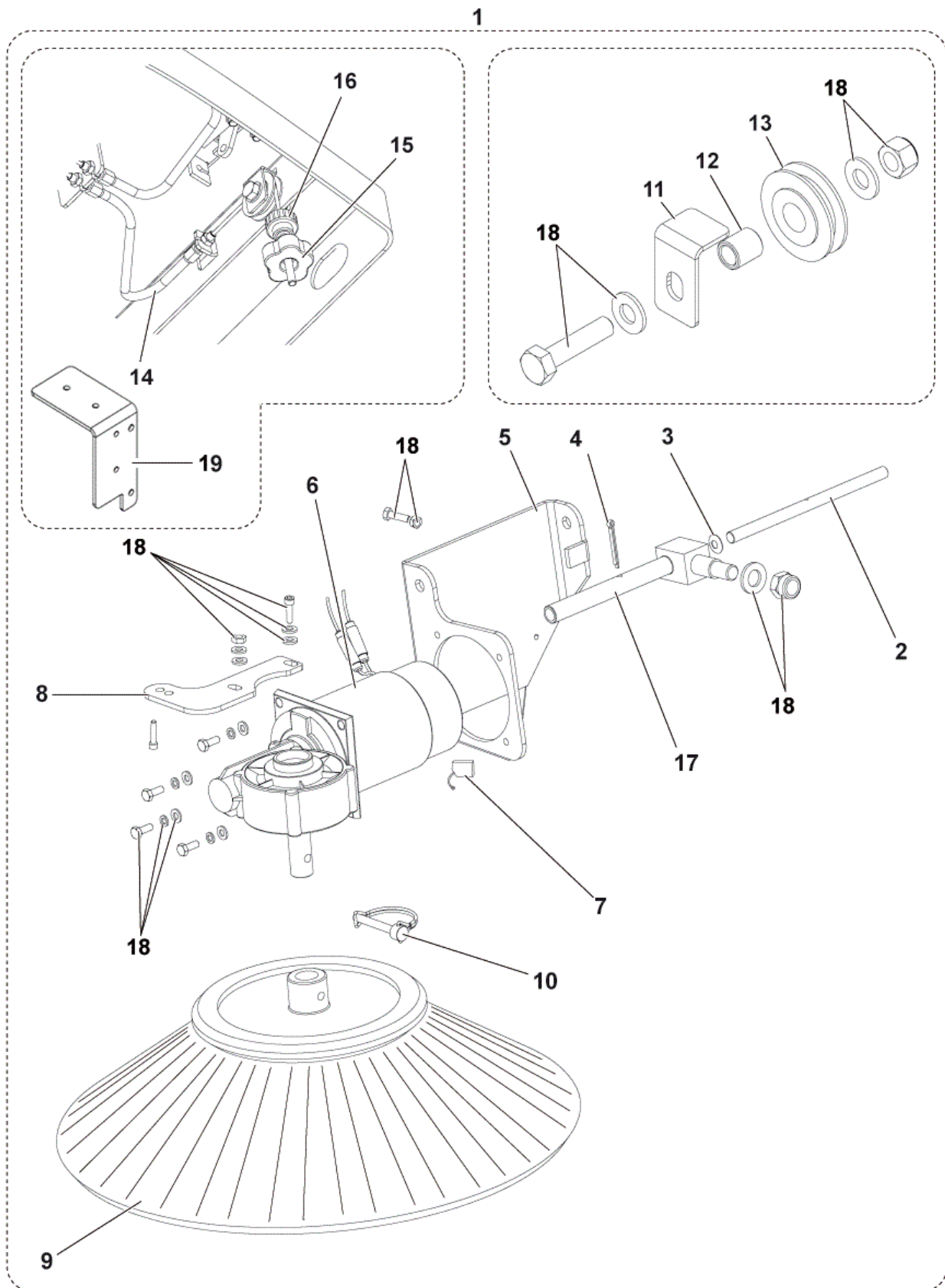
2017.11.02

2017.05.26

Pos.	Product no	QTY	Description	Notes
1	145 1792 000	1	PIN GALV. F SIDE BROOM	
2	145 1951 000	1	PIN GALV. F SIDE BROOM	
3	145 2644 000	1	BELLEVILLE WASHER 6.2X15X0.5 DIN2093	
4	145 9624 000	1	PIN SPLIT 3.2X20 GALV. ISO1234	
5	1463150000	1	SUPPORT MET. GREY RT SIDE BROOM	
6	1467688000	1	REDUCTION GEARMOTOR 60W 24V RT KIT	
7	1467083000	1	CARBON BRUSH 2 PCS SET	
8	1464355000	1	BRACKET SIDE BROOM RED. GEAR FIX GALV.	
9	1466140000	1	BROOM SIDE 180X400 MIX STEEL	
9	1466141000	1	BROOM SIDE 180X400 NATURAL	[1]
10	1463960000	1	PIN D.6 GALV. W/CLIP	
11	1463957000	1	BRACKET SIDE BROOM CABLE FIXING GALV.	
12	909 5312 000	1	SPACER D.8.2X12 H.13.5 BRASS	
13	145 2612 000	1	PULLEY PLASTIC D.38	
14	146 2475 000	1	CABLE RT SIDE BROOM	
15	146 2470 000	1	KNOB LOBES M6 FEMALE	
16	1466374000	1	KNOB KNURLED M6 FEMALE SIP	
17	1464100000	1	HARDWARE SIDE BROOM KIT	

Part Notes:

[1] - OPTIONAL



LEFT SIDE BROOM ASSY

SR 1101 P

2017.11.02

2017.05.26

Pos.	Product no	QTY	Description	Notes
1	1463970000	1	BROOM LEFT SIDE MIX STEEL KIT	[1]
2	145 1951 000	1	PIN GALV. F SIDE BROOM	
3	145 2644 000	1	BELLEVILLE WASHER 6.2X15X0.5 DIN2093	
4	145 9624 000	1	PIN SPLIT 3.2X20 GALV. ISO1234	
5	1463152000	1	SUPPORT MET. GREY LT SIDE BROOM	
6	1467689000	1	REDUCTION GEARMOTOR 60W 24VLT KIT	
7	1467083000	1	CARBON BRUSH 2 PCS SET	
8	1464355000	1	BRACKET SIDE BROOM RED. GEAR FIX GALV.	
9	1466140000	1	BROOM SIDE 180X400 MIX STEEL	
9	1466141000	1	BROOM SIDE 180X400 NATURAL	[2]
10	1463960000	1	PIN D.6 GALV. W/CLIP	
11	1463957000	1	BRACKET SIDE BROOM CABLE FIXING GALV.	
12	909 5312 000	1	SPACER D.8.2X12 H.13.5 BRASS	
13	145 2612 000	1	PULLEY PLASTIC D.38	
14	146 2520 000	1	CABLE LT SIDE BROOM	
15	146 2470 000	1	KNOB LOBES M6 FEMALE	
16	1466374000	1	KNOB KNURLED M6 FEMALE SIP	
17	145 1792 000	1	PIN GALV. F SIDE BROOM	
18	1464100000	1	HARDWARE SIDE BROOM KIT	
19	1467509000	1	BRACKET F REINFORCEMENT PLATE KIT	[3]

Part Notes:

- [1] - OPTIONAL - INST. INTR. 1463971000
- [2] - OPTIONAL
- [3] - Before machine SN 3810154500010
SeeInst. Instr.1467510000

STEERING SYSTEM

SR 1101 P

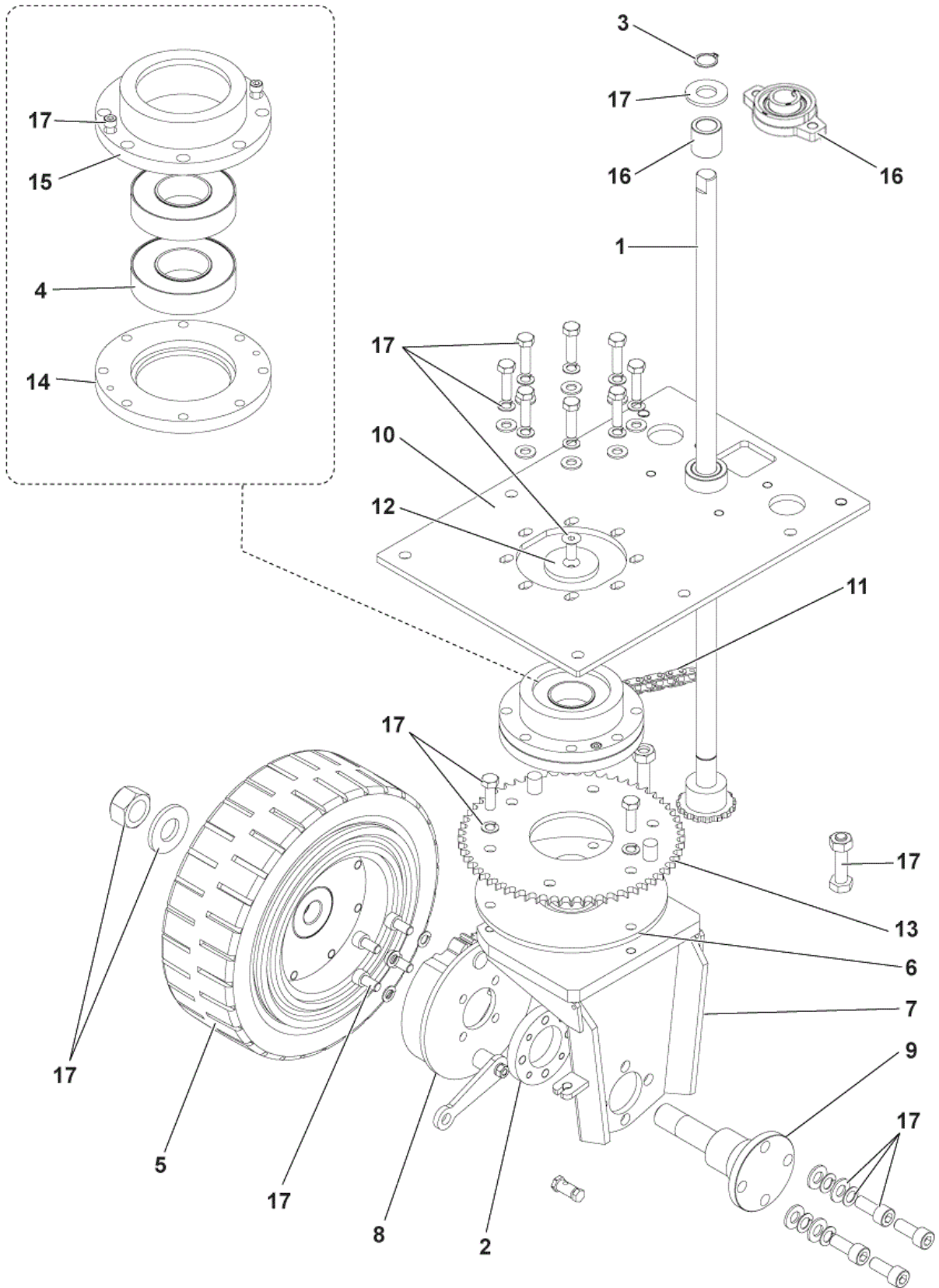
2017.11.02

2017.12.18

Pos.	Product no	QTY	Description	Notes
1	1466525000	1	COLUMN STEERING SIP	
2	1465515000	1	COLUMN STEERING KIT	[1]
2	1467671000	1	COLUMN STEERING KIT	[2]
3	1465516000	1	SUPPORT STEERING COLUMN KIT	
4	1466330000	1	PLUNGER M10 W/CABLE KIT	[3]
5	146 2452 000	2	PIPE LEVER EXTENSION GALV.	
6	146 2450 000	2	TIE-ROD EYE D.8 M5X52MM GALV.	
7	1466319000	1	JOINT UNIVERSAL D.17 SIP	
8	1466506000	2	MICROSWITCH 15A 250V SIP	
9	146 2456 000	2	BELLOWS RUBBER	
10	146 2458 000	1	LEVER PLASTIC STEERING WHEEL ADJUSTMENT	
11	1463804000	1	LEVER RT SIDE GALV.	
12	146 2453 000	2	HANDLE CYLINDRICAL 26X80 D.I.14 PLAST.	
13	146 2212 000	1	COVER FRONT ROTOMOLDED GREY	
14	146 2106 000	1	STEERING WHEEL D.320 TAPER 1/19.26	
15	146 2457 000	1	BELLOWS RUBBER	
16	1463803000	1	LEVER LT SIDE GALV.	
17	1467031000	1	CAP SIP	
18	145 4540 000	1	SPRING PIN M10X40 GALV.	
20	145 9666 000	1	CLEVIS M10X40 GALV. DIN71752	
21	145 9769 000	2	BALL JOINT M10	
22	1466531000	1	LEVER MAIN BROOM SIP	
23	1467696000	1	PLATE GALV. MAIN BROOM SIP	
24	146 2467 000	1	LEVER MAIN BROOM GALV.	
25	146 2468 000	1	ROD THREADED M10X410 DIN975	
26	1466532000	1	LEVER SIDE BROOM SIP	
27	146 1646 000	1	RELAY 24V	
28	1464292000	1	HARDWARE STEERING KIT	

Part Notes:

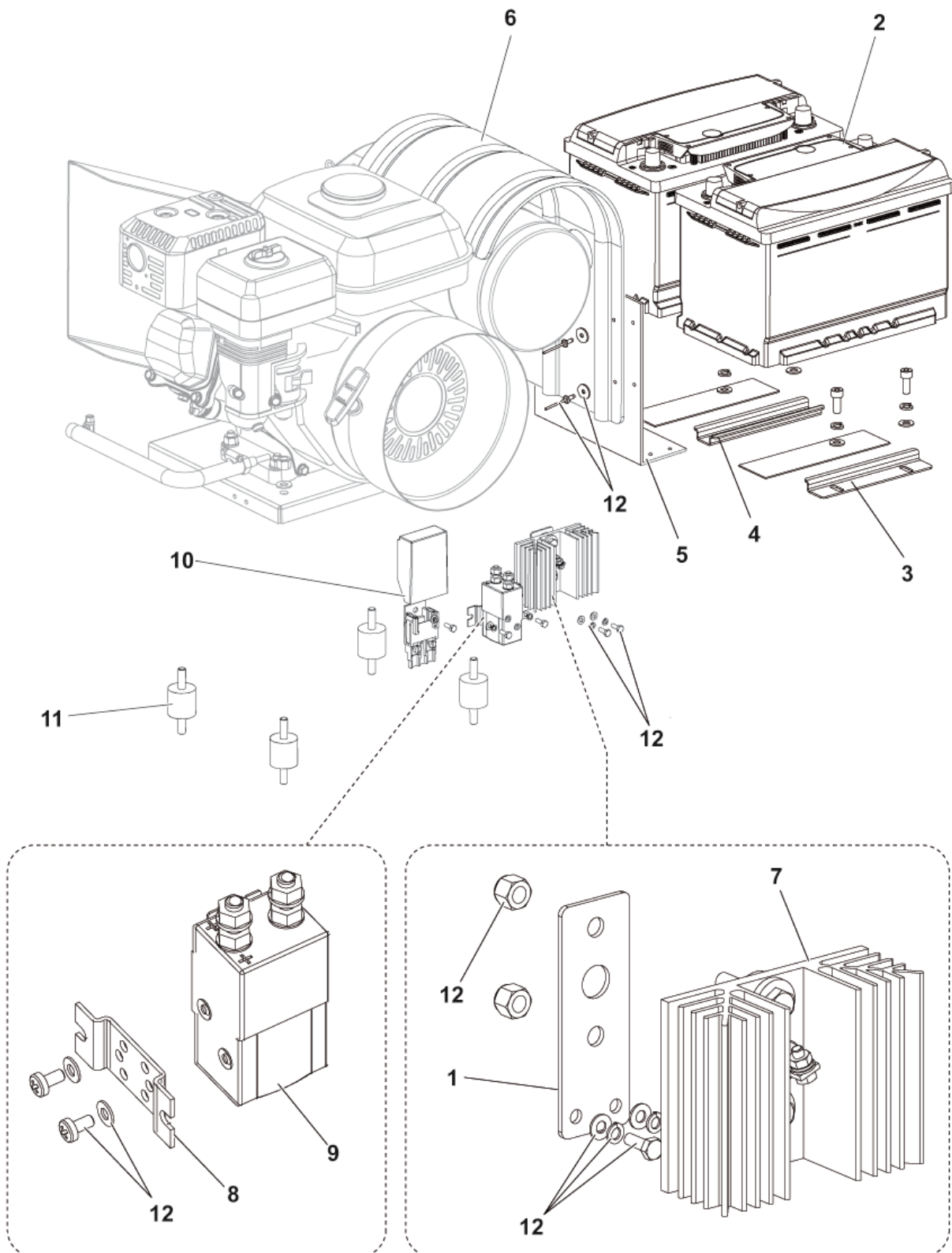
- [1] - VALID ONLY FOR MACHINES UNTIL S/N 3810172100044
- [2] - VALID ONLY FOR MACHINES FROM S/N 3810172100045
- [3] - INCLUDED POS.19



Pos.	Product no	QTY	Description	Notes
1	146 0960 000	1	SHAFT STEERING W/PINION PHOS.	[1]
1	1467668000	1	SHAFT STEERING W/PINION PHOS.	[2]
2	145 1747 000	1	FLANGE GALV. F BRAKE FRONT WHEEL	
3	9100001345	1	RING D 17 UNI7435 10 PCS SET	[1]
1	145 2357 000	2	BEARING BALL 6207 2RS	
5	146 2442 000	1	WHEEL FRONT	
5	146 2745 000	1	WHEEL FRONT NON MARKING	[3]
6	146 2438 000	1	SHIM STEERING WHEEL SPROCKET GALV.	
7	146 2437 000	1	SUPPORT FRONT WHEEL GALV.	
8	146 2441 000	1	BRAKE DRUM	
8	1464592000	1	SHOES BRAKE KIT	
9	146 2440 000	1	PIN FRONT WHEEL PHOS.	
10	146 2439 000	1	PLATE SUPPORT STEERING	[4]
10	1467670000	1	PLATE SUPPORT STEERING GALV.	[2]
11	146 2443 000	1	CHAIN ROLLER 3/8-73 P.+HL+CL	
12	145 2585 000	1	WASHER METAL F STEERING SUPPORT FIXING	
13	145 2714 000	1	SPROCKET T60 3/8	
14	145 2587 000	1	FLANGE	
15	145 2586 000	1	FLANGE	
16	145 9505 000	1	BUSHING BBB 17X25X25	[1]
16	1467674000	1	BEARING SELF ALIGNING W/HOUSING KIT	[2]
17	1464293000	1	HARDWARE FRONT WHEEL KIT	
18	1465612000	1	WHEEL CHAIN TENSIONER KIT	[5]

Part Notes:

- [1] - VALID ONLY FOR MACHINES UNTIL S/N 3810172100044
- [2] - VALID ONLY FOR MACHINES FROM S/N 3810172100045
- [3] - OPTIONAL
- [4] - STOCK COVERS GUARANTEE
VALID ONLY FOR MACHINES UNTIL S/N 3810172100044
- [5] - NOT SHOWN - STARTING FROM S/N 3810134500053



PETROL ENGINE ASSEMBLY

SR 1101 P

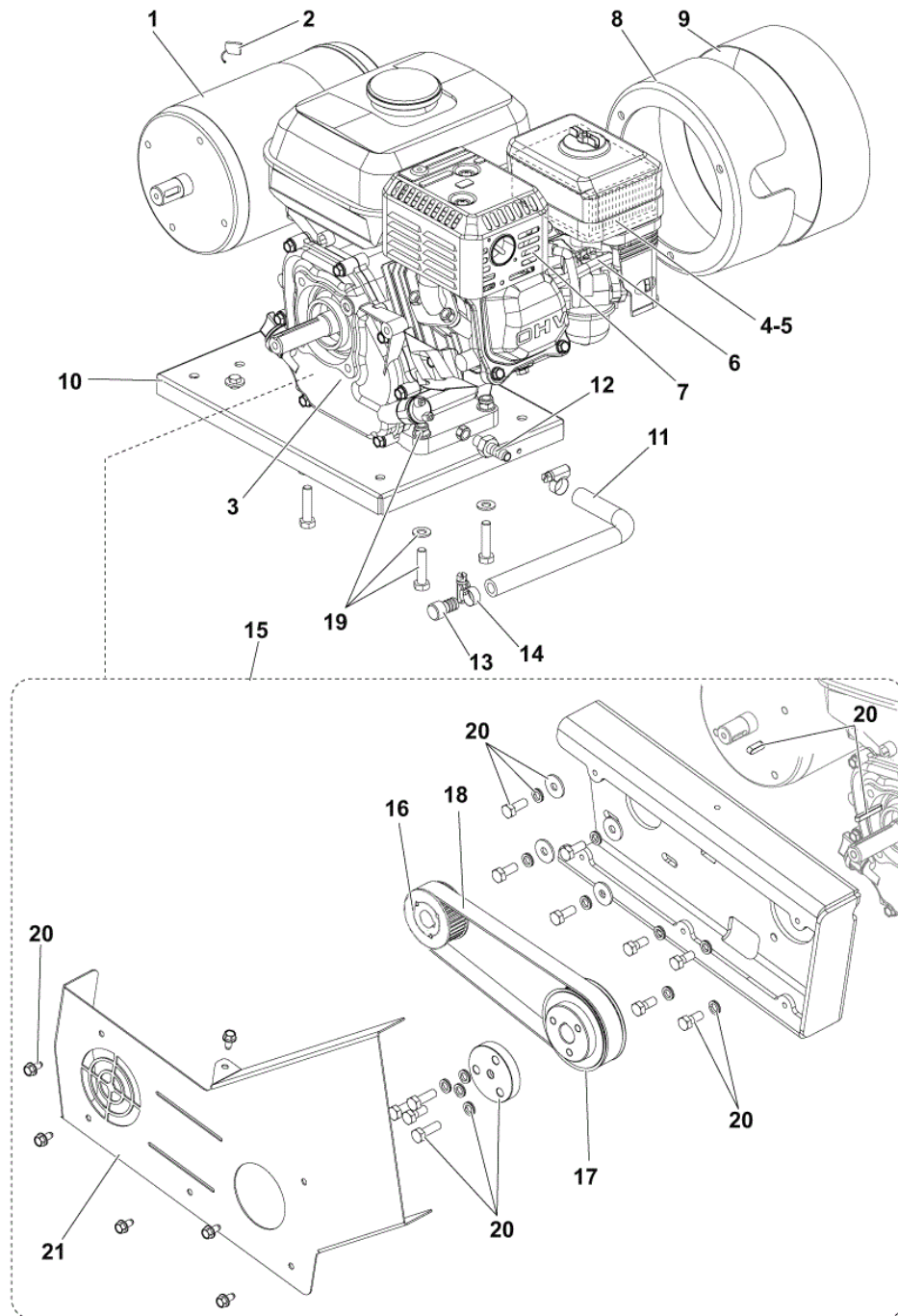
2017.11.02

2017.07.04

Pos.	Product no	QTY	Description	Notes
1	146 2545 000	1	BRACKET HEAT SINK GALV.	
2	1467085000	2	BATTERY STARTER 12V 77AH-C20 SIP	
3	1463887000	2	BRACKET BATTERY	[1]
4	1463879000	1	BRACKET BATTERY	[1]
5	1464089000	1	BRACKET FOR PROTECTION	
6	146 2537 000	1	PROTECTION DYNAMOTOR POLYSTYRENE	
7	1466171000	1	CARD DIODE W/HEAT SINK SIP	
8	146 0720 000	1	BRACKET GALV. CPL F ELECTROMAGN. SWITCH	
9	146 0719 000	1	SWITCH ELECTROMAGNETIC 24V	
10	146 0659 000	1	HOLDER MAXIFUSE	
11	145 8054 000	4	VIBRATION-DAMPING M8 60SH	
12	1464102000	1	HARDWARE PETROL MOTOR KIT	

Part Notes:

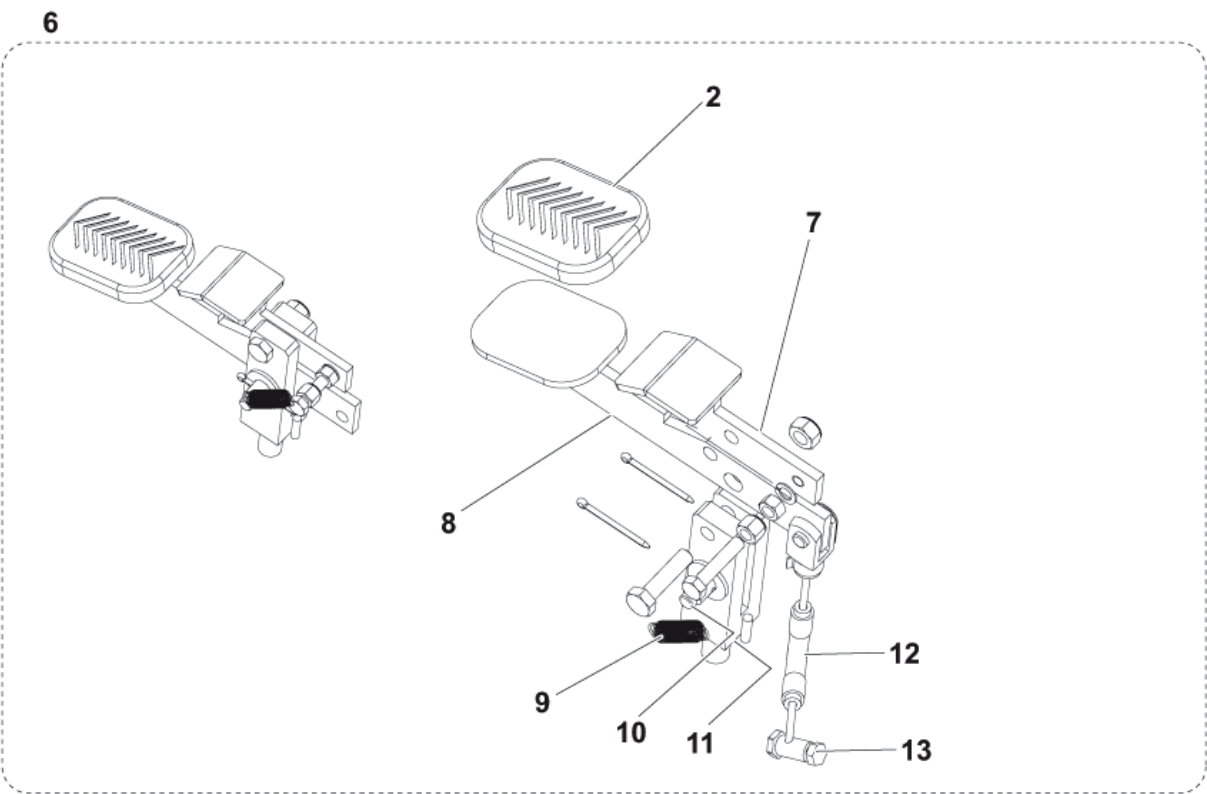
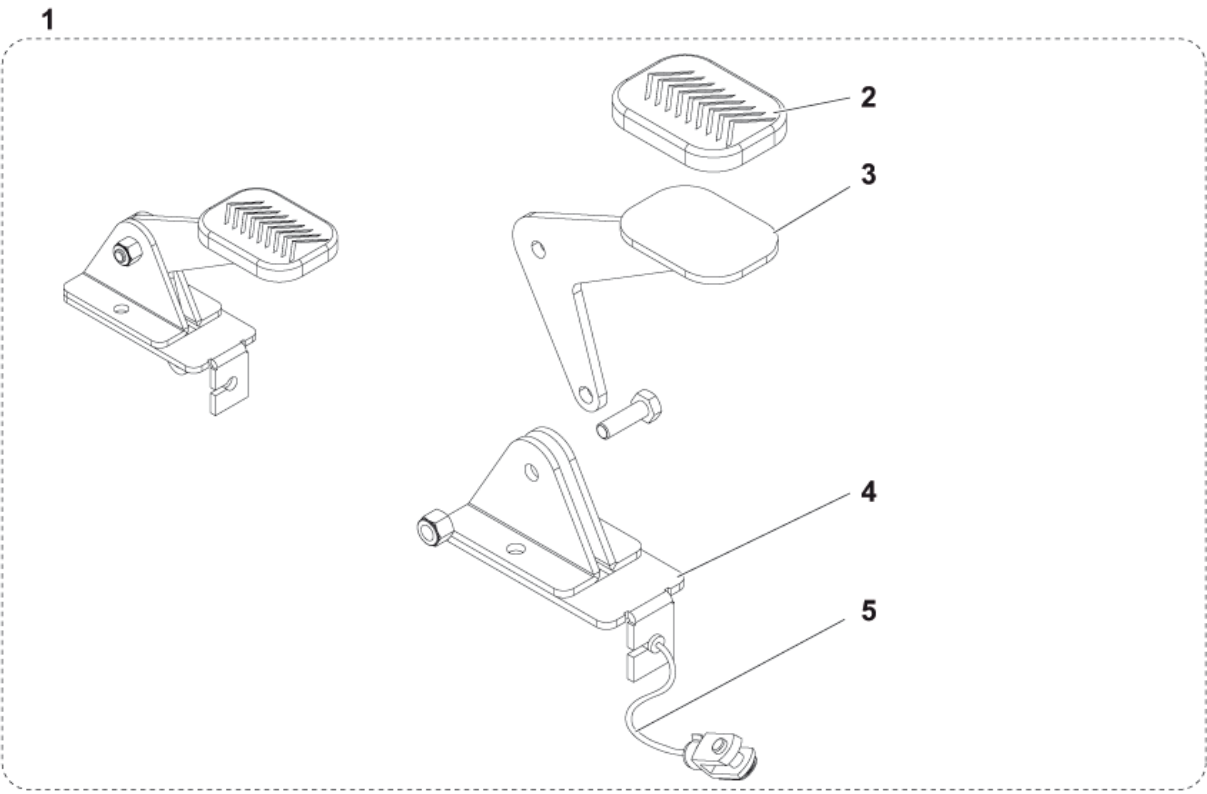
[1] - 2020 ACCESSORY PRUNING



Pos.	Product no	QTY	Description	Notes
1	1467673000	1	DYNAMOTOR 1100W 24V KIT	
2	L08603949	1	CARBON BRUSH 4 PCS SET	
3	1467883000	1	ENGINE PETROL HONDA GX120 STAGE V. SIP	
4	146 2609 000	1	FILTER AIR ENGINE	
5	146 2819 000	1	PRE-FILTER FOAM	
6	146 2820 000	1	JOINT FUEL TANK PLAST.W/ GASKET	[1]
6A	31001225		JOINT FUEL TANK PLAST	
6B	31001226		GASKET F. JOINT FUEL TANK	
7	146 2821 000	1	MUFFLER CPL	[2]
7A	31001227		MUFFLER	
7B	31001228		ARRESTER SPARK FOR MUFFLER	
8	146 2539 000	1	CONVEYOR ENGINE AIR POLYSTYRENE	
9	146 2543 000	1	RUBBER CONVEYOR	
10	145 6111 000	1	PLATE GALV. F SUPPORT ENGINE	
11	145 5037 000	1	HOSE OIL DRAIN L.500MM SIP	
12	146 0691 000	1	BARB HOSE STRAIGHT D.10.5 M10X1.25 BRASS	
13	1467033000	1	CAP D.10-17 SIP	
14	33023593	1	CLAMP HOSE 8-16/9 DIN3017 2 PCS SET	
15	1463797000	1	TRANSMISSION DYNAMOTOR KIT	
16	1466989000	1	PULLEY TIMING BELT TL HTD 24 8M 20 SIP	[3]
17	1463755000	1	PULLEY TIMING BELT STEEL HTD 32 8M 20 6F	
18	1466523000	1	BELT TIMING 640 8M GT3 20 SIP	
19	1464102000	1	HARDWARE PETROL MOTOR KIT	
20	1464532000	1	HARDWARE PULLEY MOTOR KIT	
21	1463754000	1	DEFLECTOR	

Part Notes:

- [1] - USE PN 31001225 & 31001226
- [2] - USE PN 31001227 & 31001228
- [3] - SEE TSB-FC-2016-008
DE TSB-FC-2016-008 SR1101P Floortec R670P Dynamotor Riemenscheibe



PEDAL ASSEMBLIES 1

SR 1101 P

2017.11.02

2017.07.04

Pos.	Product no	QTY	Description	Notes
1	146 2852 000	1	PEDAL SKIRT RAIS.DEVICE KIT	
2	145 8478 000	2	COVER PEDAL RUBBER	
3	145 1841 000	1	PEDAL GALV. F SKIRT RAIS.DEVICE	
4	145 1839 000	1	SUPPORT GALV. F PEDAL SKIRT RAIS.DEVICE	
5	146 2477 000	1	CABLE SKIRT RAIS.DEVICE	
6	146 2853 000	1	PEDAL BRAKE KIT	
7	145 3490 000	1	PEDAL PARKING BRAKE GALV.	
8	145 3472 000	1	PEDAL	
9	145 9290 000	1	SPRING EXTENTION D.E.8.2 WIRE D.0.8	
10	145 2541 000	1	PIN GALV. F PEDAL	
11	145 2540 000	1	SUPPORT PEDAL GALV.	
12	146 2463 000	1	CABLE BRAKE	
13	146 2444 000	1	HOLDFAST CABLE D.4	

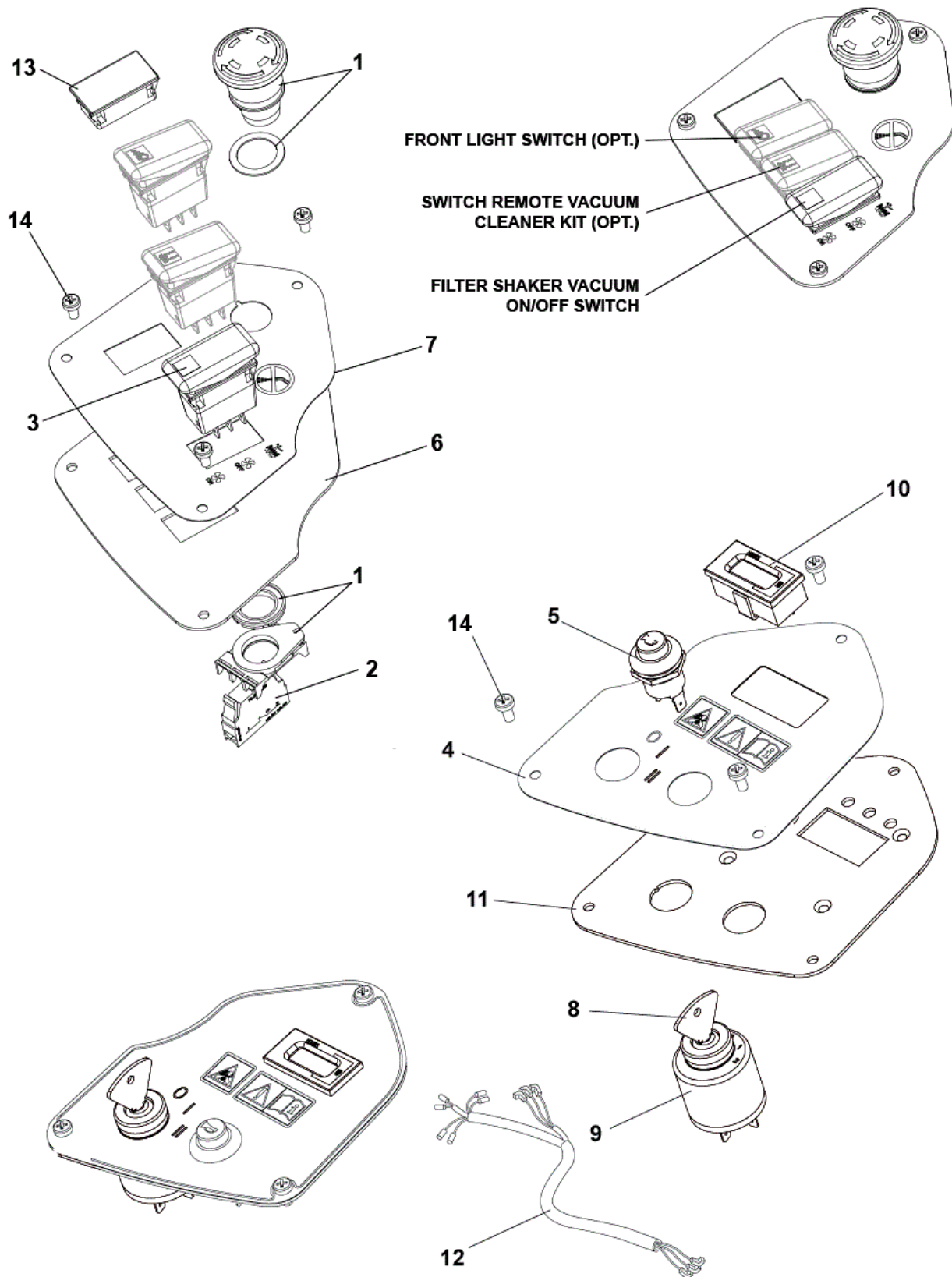
PEDAL ASSEMBLIES 2

SR 1101 P

2017.11.02

2019.12.03

Pos.	Product no	QTY	Description	Notes
1	146 2952 000	1	PEDAL SPEED CONTROL KIT	
2	145 1147 000	2	BELLEVILLE WASHER 10.2X18.8X0.35 DIN2093	
3	146 2929 000	1	BRACKET PEDAL MET.BLACK	
4	146 2930 000	1	SUPPORT SPEED CONTROL PEDAL MET. BLACK	
3+5	1467887000	1	PEDAL SPEED CONTROL REPAIR KIT	
5	1467758000	1	PEDAL SPEED CONTROL SIP	
6	146 2062 000	1	GASKET ADHESIVE 20X20 L. 24MM	
7	146 2315 000	1	GASKET. PEDAL	
8	146 2480 000	1	HARNESS DRIVE PEDAL	
9	146 2882 000	1	LEVER POTENTIOMETER GALV.	
10	1467038000	1	SPRING TORSION WIRE D.1.5 D.I.16.5 SIP	
11	146 2884 000	1	SPACER D10.3X15 H.7.5 PLASTIC	
12	145 4086 000	1	COVER PEDAL PLASTIC	
13	909 6834 000	1	HARDWARE.PEDAL FIXING KIT	



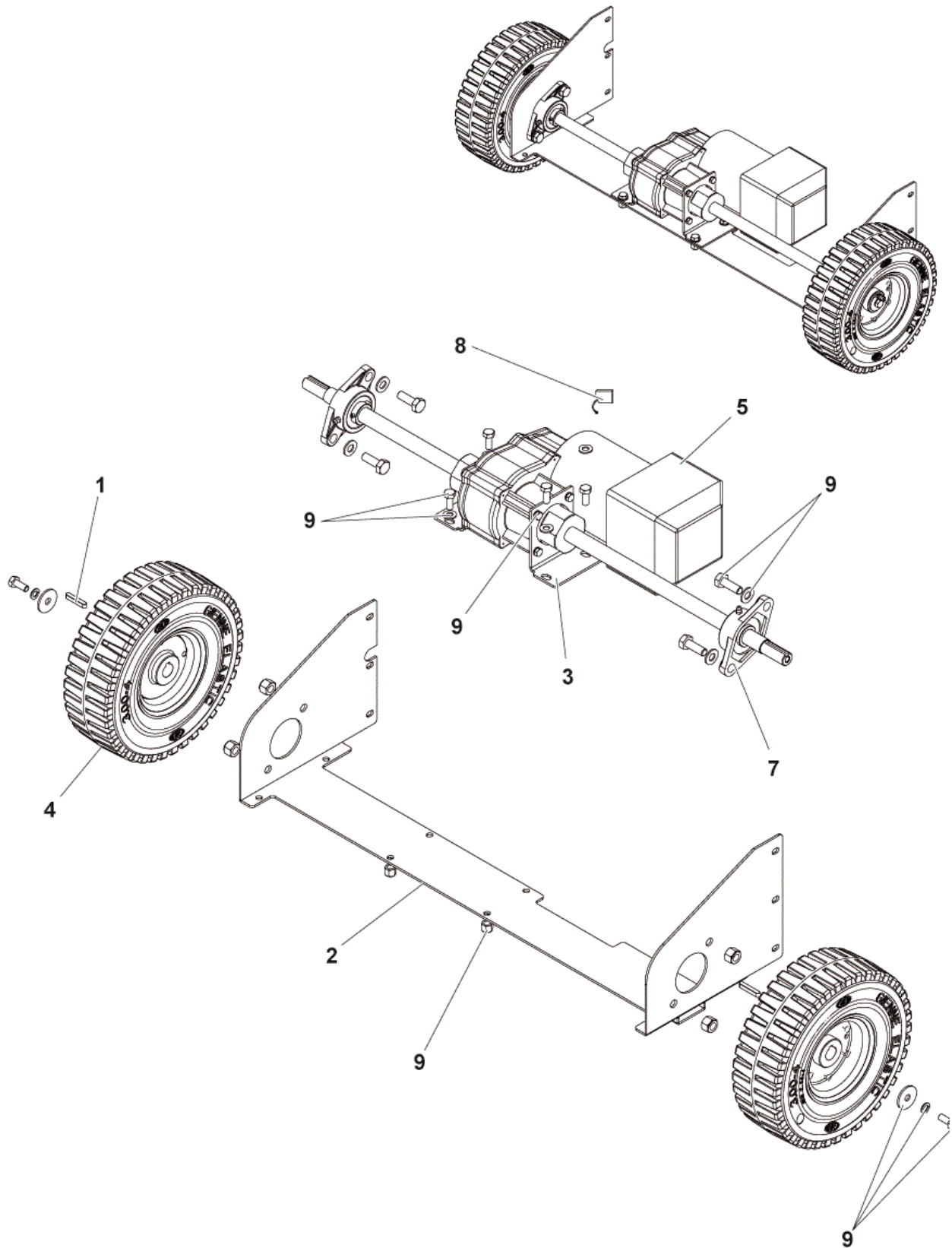
CONTROL PANELS SYSTEM

SR 1101 P

2018.03.15

2018.03.15

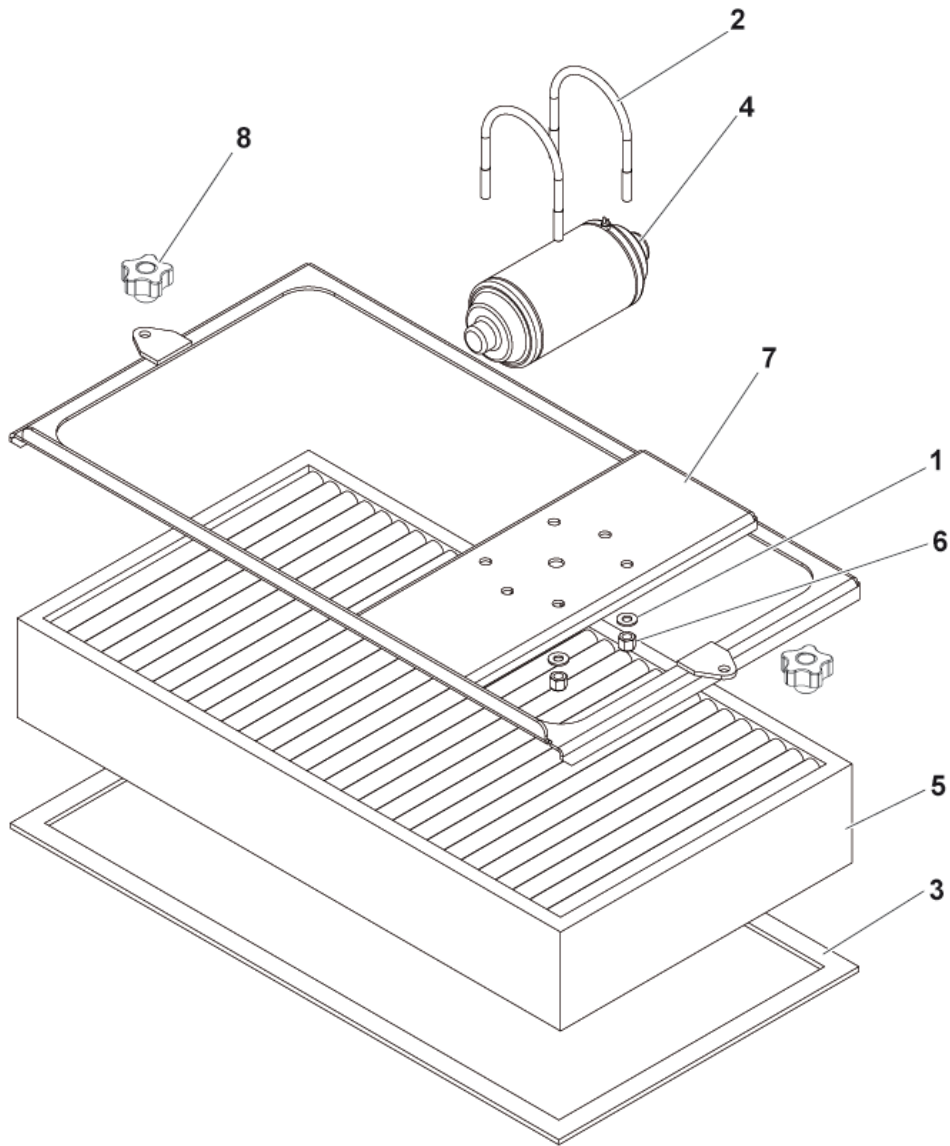
Pos.	Product no	QTY	Description	Notes
1	1466683000	1	SWITCH EMERGENCY KIT	
2	146 1728 000	1	CONTACT BLOCK NC RED	
3	146 2532 000	1	SWITCH	
4	1463992000	1	DECAL CONTROL PANEL RT	
5	145 9678 000	1	SWITCH PUSH BUTTON F HORN	
6	146 2460 000	1	CONTROL PANEL LT GALV.	
7	1463991000	1	DECAL CONTROL PANEL LT	
8	1467014000	1	KEY F STARTER SWITCH 2 PCS SET	
9	33020442	1	SWITCH IGNITION STARTER W/SPARE KEY KIT	
10	9096951000	1	COUNTER HOUR 24V KIT	
11	146 2459 000	1	CONTROL PANEL RT GALV.	
12	146 2549 000	1	HARNESS CONTROL PANEL	
13	909 5836 000	1	COVER HOLE PLASTIC BLACK	
14	1464294000	1	HARDWARE CONTROL PAN.KIT	



Pos.	Product no	QTY	Description	Notes
1	145 9776 000	2	KEY 6X6X35 UNI6604A	
2	1463951000	1	BRIDGE REAR WHEELS MET.GREY	
3	146 2435 000	2	SUPPORT DRIVE MOTOR GALV.	
4	146 2746 000	2	WHEEL REAR NON MARKING	[1]
4	1467558000	2	WHEEL CPL 3.00/4 SOLID RUBBER KIT	
5	1463228000	1	REDUCTION GEARMOTOR KIT	
7	1467697000	2	BEARING SELF ALIG. UCFL204 W/HOUSING SIP	
8	L08603949	1	CARBON BRUSH 4 PCS SET	
9	1464295000	1	HARDWARE DRIVE SYST.KIT	

Part Notes:

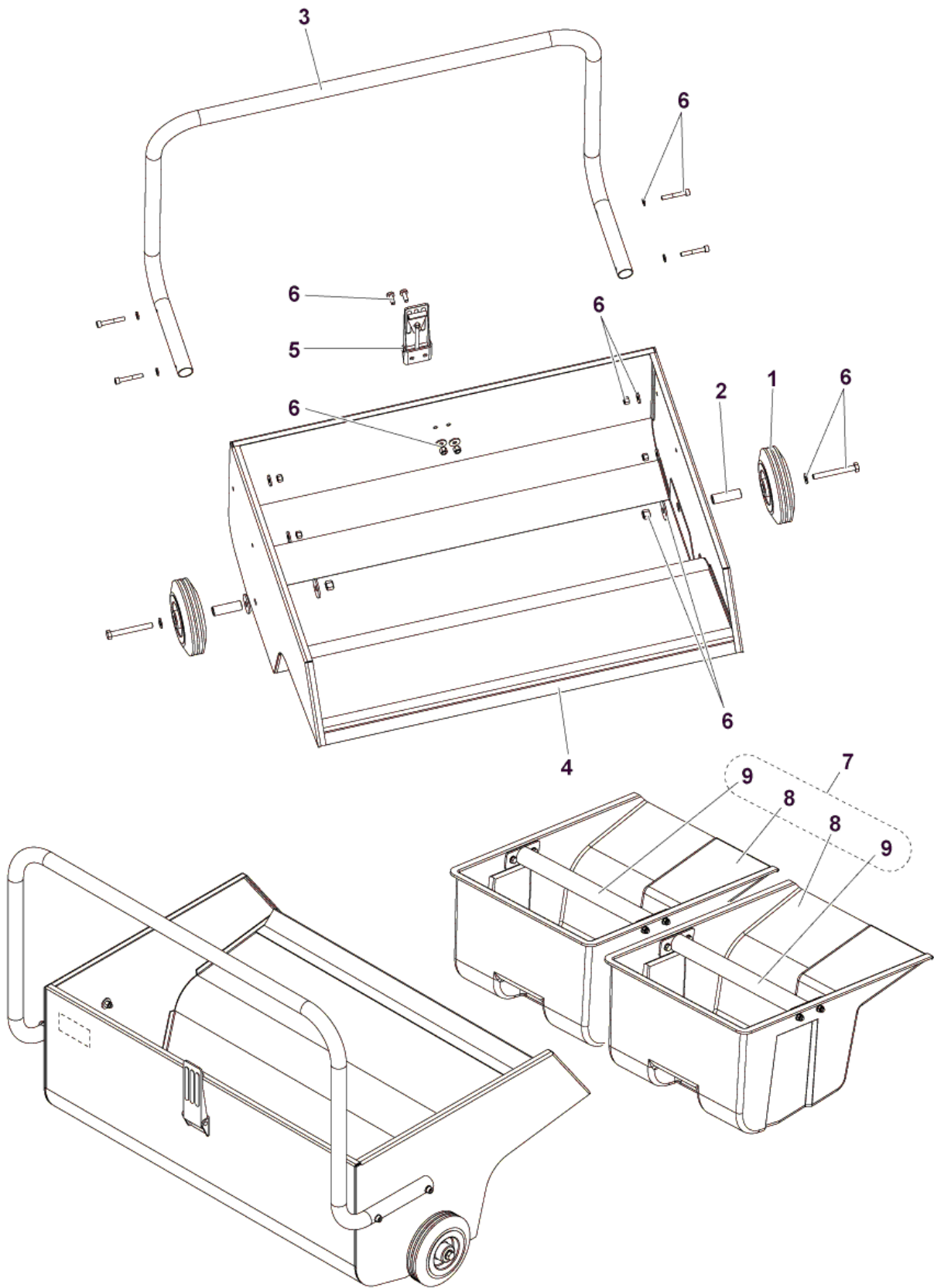
[1] - OPTIONAL



Pos.	Product no	QTY	Description	Notes
1	33023208	1	WASHER PLAIN M8 ISO7089 10 PCS SET	
2	1465997000	2	COLLAR METAL U M8 SIP	
3	146 2729 000	1	GASKET ADHESIVE FOR FILTER KIT	
4	146 2795 000	1	MOTOR FILTER SHAKER KIT	
5	145 6013 000	1	FILTER POLYESTER ANTISTATIC	[1]
5	146 2759 000	1	FILTER POLYESTER	[1]
5	1463523000	1	FILTER PAPER PANEL	
6	33023207	4	NUT LOCK HEX M8 ISO7040 10 PCS SET	
7	146 2428 000	1	FRAME FILTERSHAKER MOTOR GALV.	
8	9100002017	2	KNOB M8 SIP	
9	146 2731 000	1	PRE-FILTER	[2]

Part Notes:

- [1] - OPTIONAL
- [2] - OPTIONAL - NOT SHOWN



WASTE CONTAINER ASSEMBLY

SR 1101 P

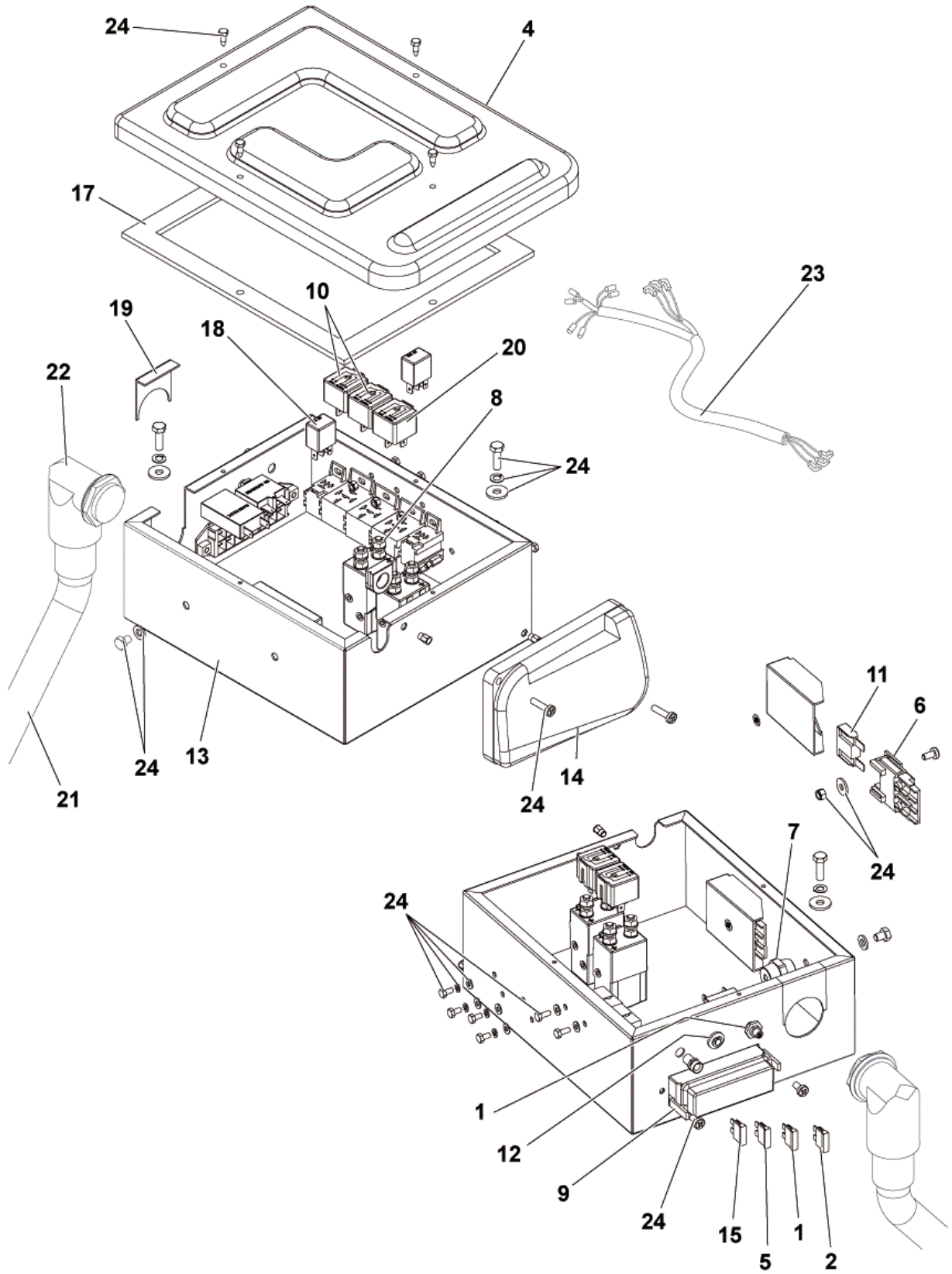
2017.11.02

2017.07.04

Pos.	Product no	QTY	Description	Notes
1	145 5116 000	2	WHEEL	
2	145 5118 000	2	BUSH D.10X15 H.47 GALV. WHEEL	
3	1463958000	1	HANDLE MET. GREY F DIRT CONTAINER	
4	1463948000	1	CONTAINER WASTE MET. GREY	
5	145 9330 000	1	LATCH ADJUSTABLE ZNT	
6	1464296000	1	HARDWARE WASTE CONT.KIT	
7	1463981000	1	MINI CONTAINERS KIT	[1]
8	1463973000	2	CONTAINER DIRT MINI PLASTIC	
9	1464212000	2	HANDLE MINI CONTAINER	

Part Notes:

[1] - OPTIONAL



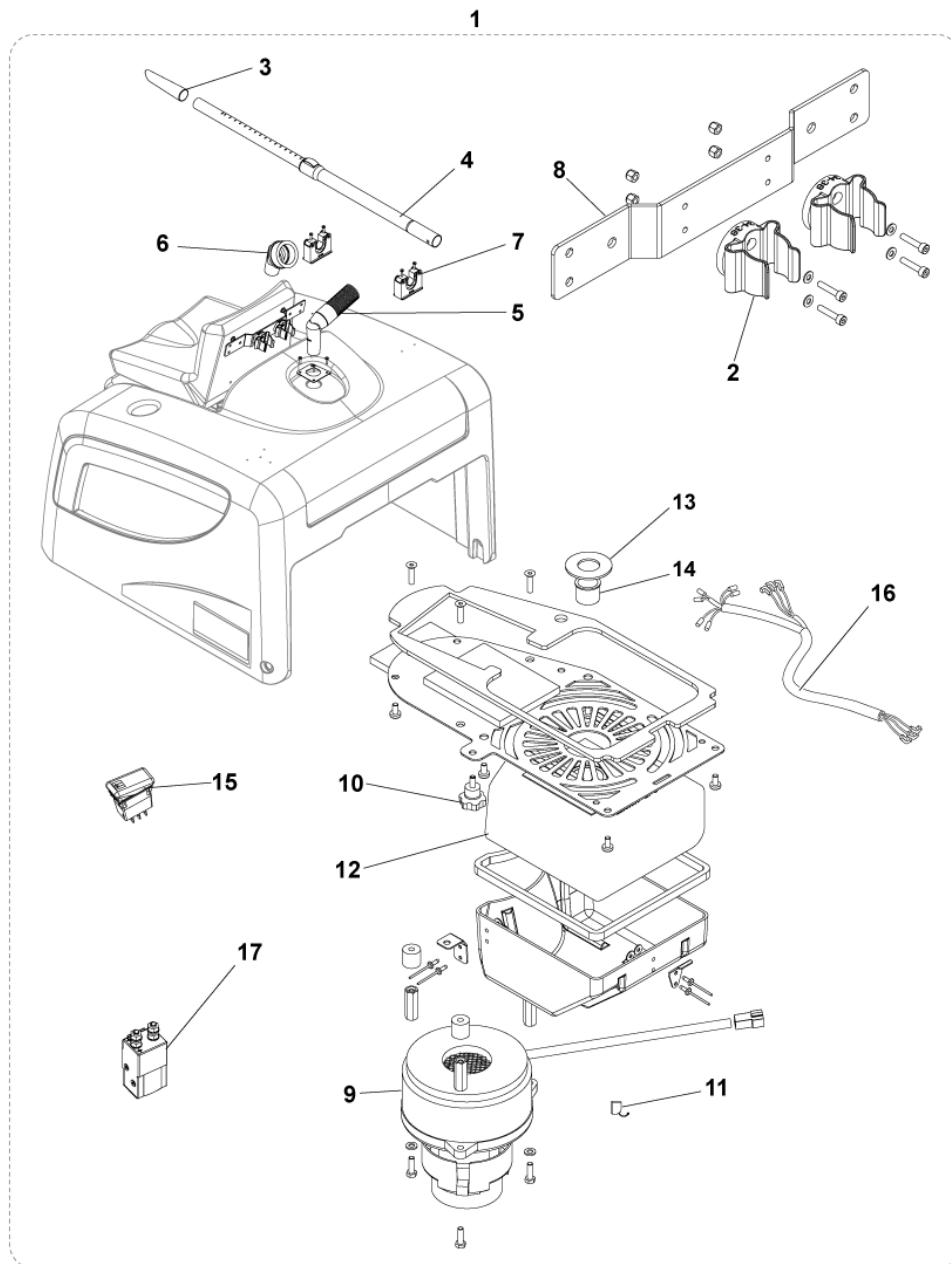
ELECTRICAL COMPONENTS

SR 1101 P

2017.11.02

2017.07.04

Pos.	Product no	QTY	Description	Notes
1	L08812633	1	CIRCUIT BREAKER 10A	
2	145 8513 000	1	FUSE BLADE 30A UL	
3	145 0227 000	1	FUSE BLADE 40A	
4	146 2484 000	1	COVER BOX ELEC.COMPONENTS	
5	145 8514 000	2	FUSE BLADE 25A	
6	146 0659 000	1	HOLDER MAXIFUSE	
7	146 0708 000	1	INSULATOR M6 WHITE	
8	146 0719 000	1	SWITCH ELECTROMAGNETIC 24V	
9	146 1170 000	1	HOLDER FUSE 8 WAYS	
10	145 3712 000	2	RELAY 24V	
11	146 2486 000	1	FUSE BLADE 70A	
12	909 5706 000	1	CIRCUIT BREAKER 30A	
13	1463962000	1	BOX ELECTRIC COMPONENTS MET.GREY	
14	1466173000	1	CONTROLLER DRIVE WHEEL SIP	
15	145 9853 000	2	FUSE BLADE 15A	
17	146 2802 000	1	GASKET ELECTRIC BOX	
18	146 1646 000	2	RELAY 24V	
19	1463961000	1	PLATE FOR HARNESS MET.BLACK	
20	1466176000	1	RELAY TIMER 0.5 SECONDS 24V SIP	
21	1463852000	1	HARNESS MACHINE PETROL	
22	1463157000	1	GROMMET D.15X22	
23	1463853000	1	HARNESS ELECTRONIC BOX PETROL	
24	1464297000	1	HARDWARE WIRING FIX.KIT	



Resource notes:

POSITION 19 NOT SHOWN

KIT VACUUM CLEANER

SR 1101 P

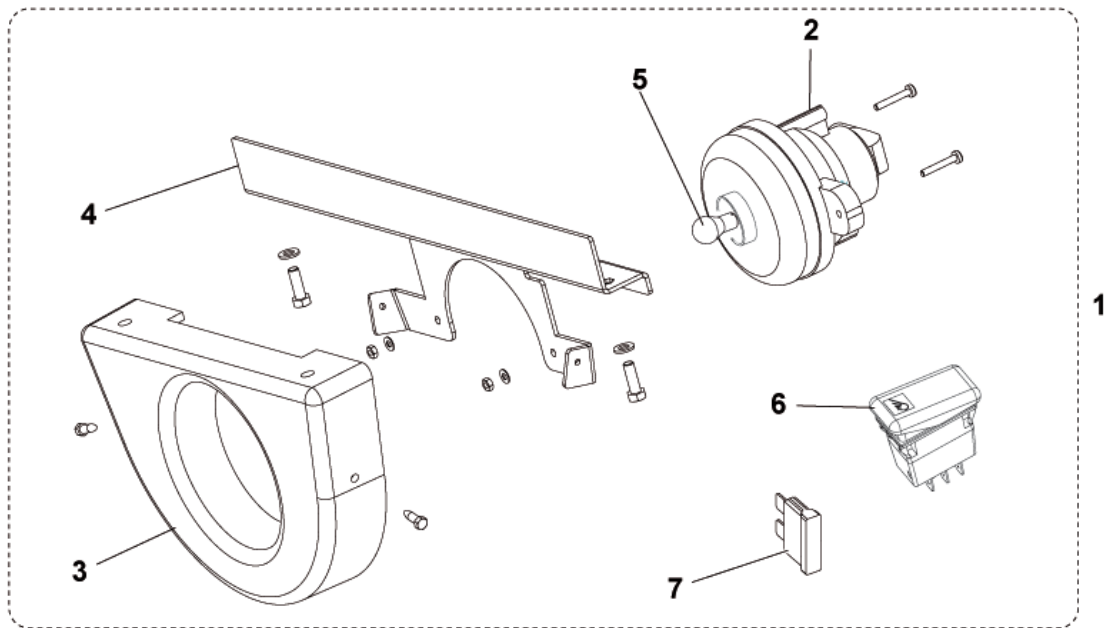
2017.11.02

2017.07.04

Pos.	Product no	QTY	Description	Notes
1	146 2524 000	1	VACUUM CLEANER KIT	[1]
2	146 2288 000	2	HOLDER TOOL D.34-38 PLASTIC	
3	81140900	1	CREVICE NOZZLE KIT	
4	011 8130 500	1	TELESCOPIC TUBE ALUMINIUM	
5	140 5691 000	1	HOSE CPL.32MM PLASTIC END	
6	140 8244 500	1	BRUSH NOZZLE D32	
7	146 2289 000	2	HOLDER TOOL D.30-40 PLASTIC	
8	146 2291 000	1	BRACKET. TOOL MOUNTING	
9	146 2133 000	1	MOTOR VACUUM 500W 24V W/CONN.AND TERM.	
10	1466153000	2	KNOB LOBED M6X15 SIP	
11	909 5074 000	1	CARBON BRUSH 2 PCS SET	
12	78602600	1	DUST BAG 5 PCS COMPACT GO COUPE	
13	146 2898 000	1	GASKET VAC HOSE	
14	L08812351	1	BUSHING FLANGED PLASTIC FILTER-VAC MOTOR	
15	146 1973 000	1	SWITCH ROCKER W/ASPIRATOR ROCKER KIT	
16	146 2522 000	1	HARNES VACUUM CLEANER	
17	146 0719 000	1	SWITCH ELECTROMAGNETIC 24V	
18	146 1980 000	1	GASKET VACUUM PLATE	
19	146 2118 000	1	GASKET RUBBER L.750MM SIP	

Part Notes:

[1] - OPTIONAL - INST. INSTR. 146 2523 000



KIT WORKING LIGHT

SR 1101 P

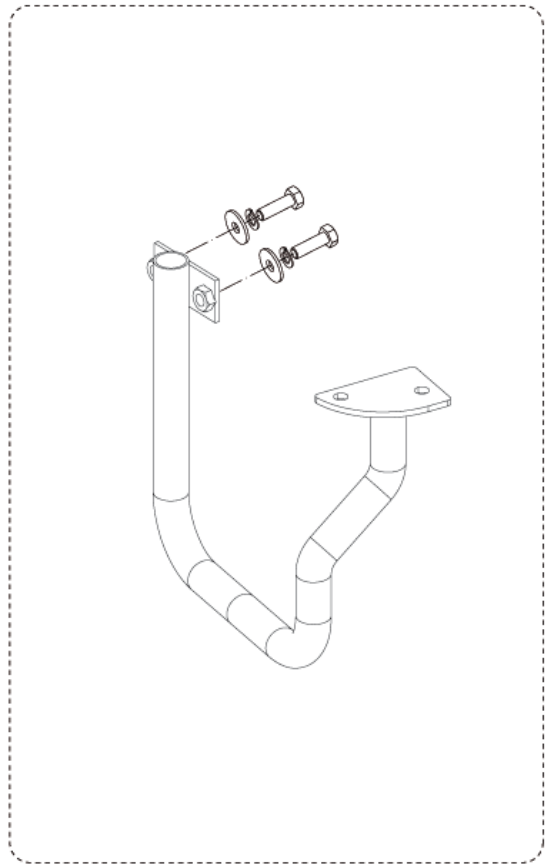
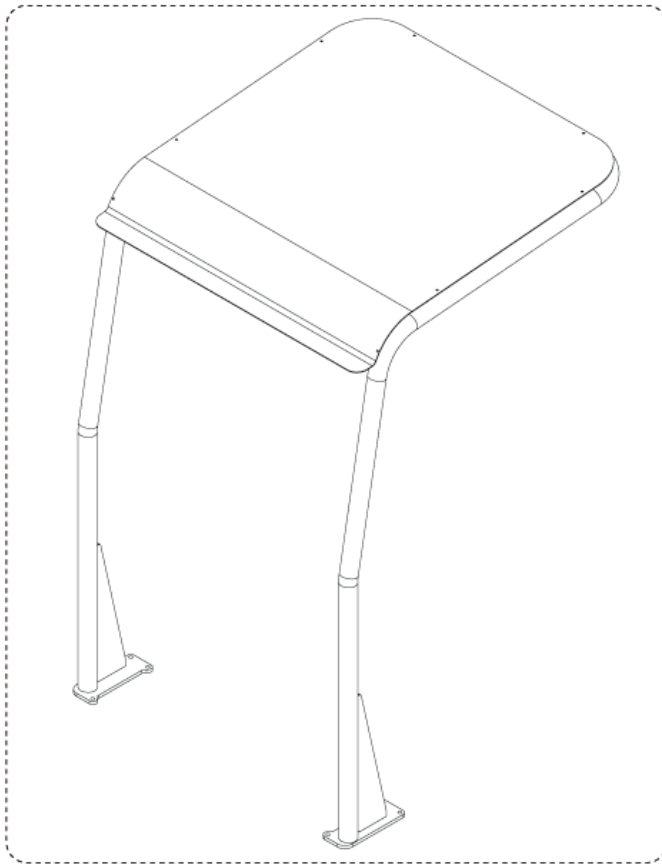
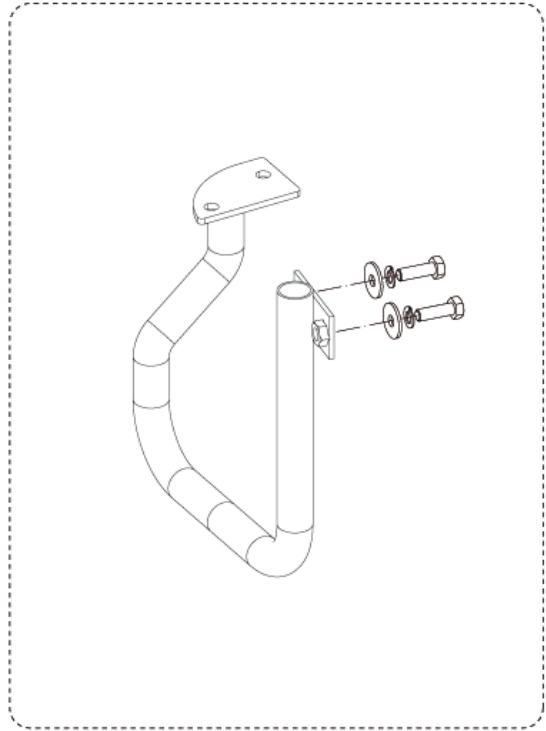
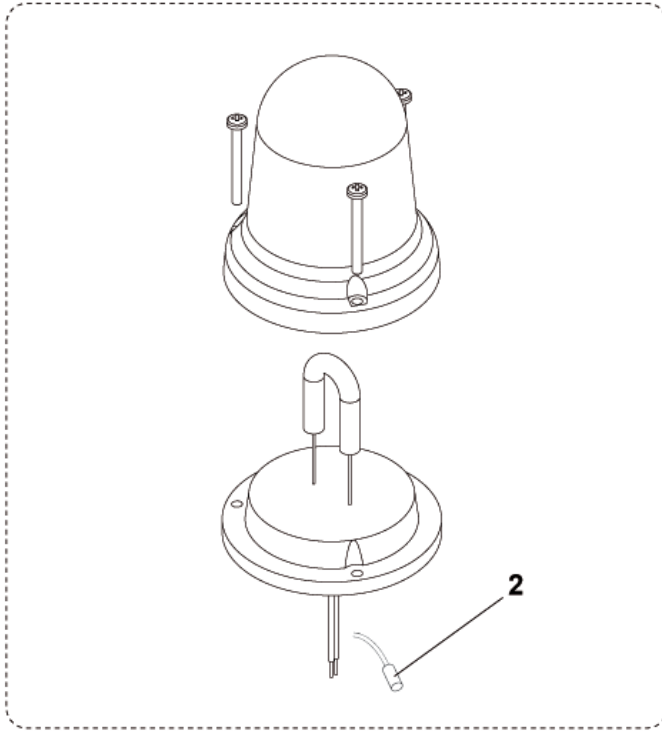
2017.11.02

2017.07.04

Pos.	Product no	QTY	Description	Notes
1	1463972000	1	LIGHT WORKING KIT	[1]
2	146 1985 000	1	LIGHT	
3	146 2528 000	1	PROTECTION WORKING LIGHT POLYSTYRENE	
4	1464038000	1	PLATE LIGHT SUPPORT	
5	145 5518 000	1	LAMP 24V 21W	[2]
6	146 1974 000	1	SWITCH	
7	1467034000	1	FUSE BLADE 10A SIP	

Part Notes:

- [1] - OPTIONAL - INST. INTR. 1463974000
- [2] - BUY LOCALLY



KIT FLASHING BEACON - BROOM BUMPER - OVERHEAD GUARD

SR 1101 P

2017.07.04

Pos.	Product no	QTY	Description	Notes
1	146 2692 000	1	BEACON FLASHING KIT	[1]
2	145 3738 000	1	TERMINAL BULLET M INSULATED 0.25/1 MMQ	
3	1464058000	1	PROTECTION RIGHT BROOM KIT	[2]
4	1464105000	1	PROTECTION LEFT BROOM KIT	[2]
5	146 2735 000	1	GUARD OVERHEAD KIT	[3]

Part Notes:

- [1] - OPTIONAL - INST. INTR. 146 2693 000
- [2] - OPTIONAL - INST. INTR. 1464060000
- [3] - OPTIONAL - INST. INTR. 146 2738 000

RECOMMENDED SPARE PARTS

SR 1101 P

2017.11.02

2017.05.26

Pos.	Product no	QTY	Description	Notes
1	1466140000	2	BROOM SIDE 180X400 MIX STEEL	
2	145 4879 000	1	BROOM MAIN 300X700 CHEVR. 6R PPL 0.5-0.7	
3	1464062000	1	SKIRT FRONT PU BLACK	
4	145 5927 000	2	SKIRT SIDE	
5	145 1971 000	1	SKIRT REAR	
6	1463523000	1	FILTER PAPER PANEL	
7	145 1851 000	1	BELT TIMING HTD 5M 15 710	
8	146 2477 000	1	CABLE SKIRT RAIS.DEVICE	
9	146 2520 000	1	CABLE LT SIDE BROOM	
10	146 2475 000	1	CABLE RT SIDE BROOM	
11	1463959000	1	CABLE MAIN BROOM W/STOPPER L.760MM	
12	146 2729 000	1	GASKET ADHESIVE FOR FILTER KIT	
13	146 0741 000	1	GASKET BULB RUBBER L.2030MM SIP	
14	1463977000	1	GASKETS HOPPER KIT	
15	1464432000	1	CARBON BRUSH 4 PCS SET	
16	1467083000	2	CARBON BRUSH 2 PCS SET	
17	L08603949	2	CARBON BRUSH 4 PCS SET	
18	909 5074 000	1	CARBON BRUSH 2 PCS SET	
19	146 2486 000	1	FUSE BLADE 70A	
20	145 0227 000	1	FUSE BLADE 40A	
21	145 8514 000	1	FUSE BLADE 25A	
22	145 8513 000	1	FUSE BLADE 30A UL	
23	1466523000	1	BELT TIMING 640 8M GT3 20 SIP	
24	146 2609 000	1	FILTER AIR ENGINE	
25	1467558000	2	WHEEL CPL 3.00/4 SOLID RUBBER KIT	
26	146 2442 000	1	WHEEL FRONT	
27	146 2795 000	1	MOTOR FILTER SHAKER KIT	
28	9100000855	1	SPRING GAS 30 KG SIP	
29	1467014000	1	KEY F STARTER SWITCH 2 PCS SET	
30	1466173000	1	CONTROLLER DRIVE WHEEL SIP	
31	146 2792 000	1	MOTOR BROOM MAIN KIT	
32	1467688000	1	REDUCTION GEARMOTOR 60W 24V RT KIT	
33	1467689000	1	REDUCTION GEARMOTOR 60W 24VLT KIT	
34	1466506000	2	MICROSWITCH 15A 250V SIP	
35	146 2532 000	1	SWITCH	
36	909 5706 000	1	CIRCUIT BREAKER 30A	
37	L08812633	1	CIRCUIT BREAKER 10A	
38	9096951000	1	COUNTER HOUR 24V KIT	
39	146 2952 000	1	PEDAL SPEED CONTROL KIT	
40	146 1646 000	3	RELAY 24V	
41	146 0719 000	1	SWITCH ELECTROMAGNETIC 24V	
42	146 2480 000	1	HARNES DRIVE PEDAL	
43	146 2463 000	1	CABLE BRAKE	
44	1466176000	1	RELAY TIMER 0.5 SECONDS 24V SIP	

