

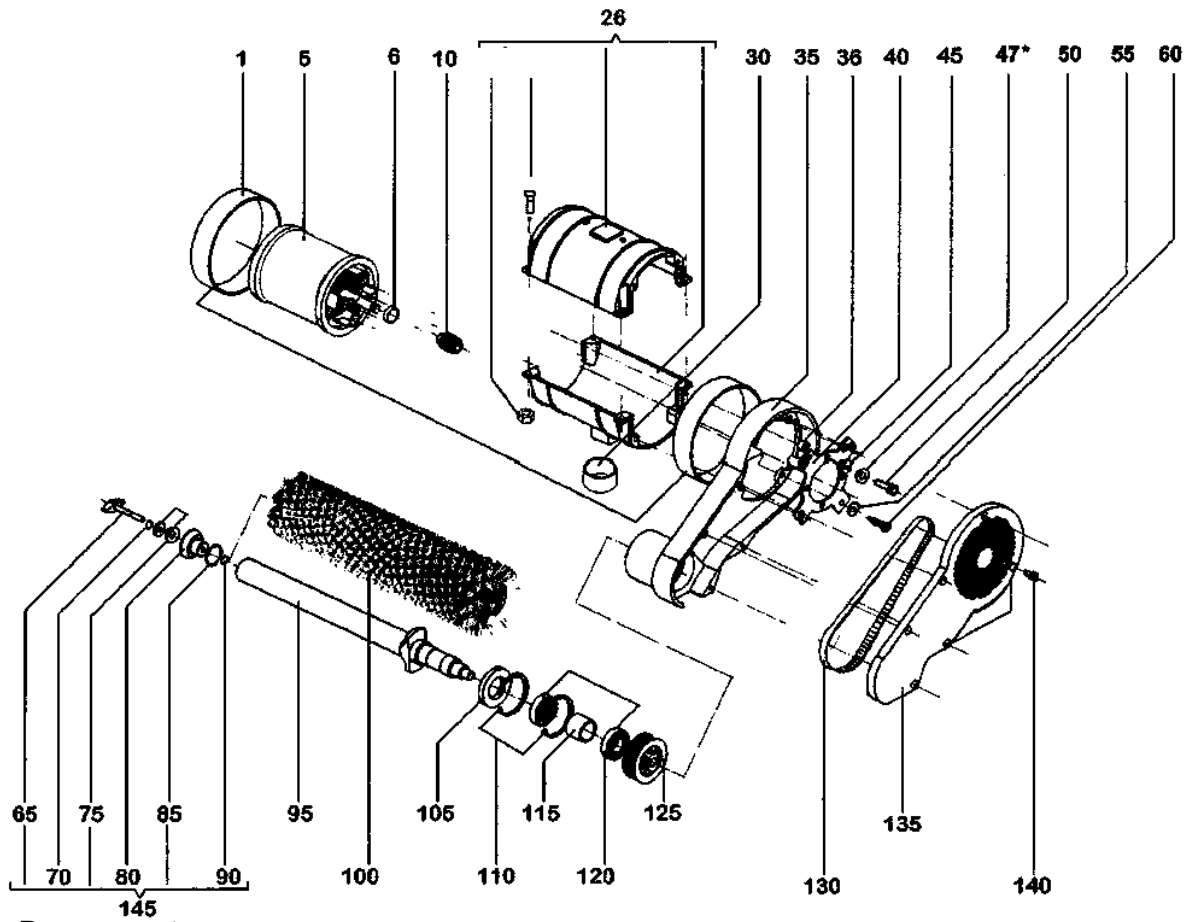
PARTS LIST



2021.03.22

TABLE OF CONTENTS

Brush drive system	1
Squeegee assembly	3
Vacuum system	5
Frame system	7
Handel bar	9
Chassis system	11
Wiring system	13
Wiring diagram	15
Two- tank version	17
Membrane tank version	19
Solution system	21



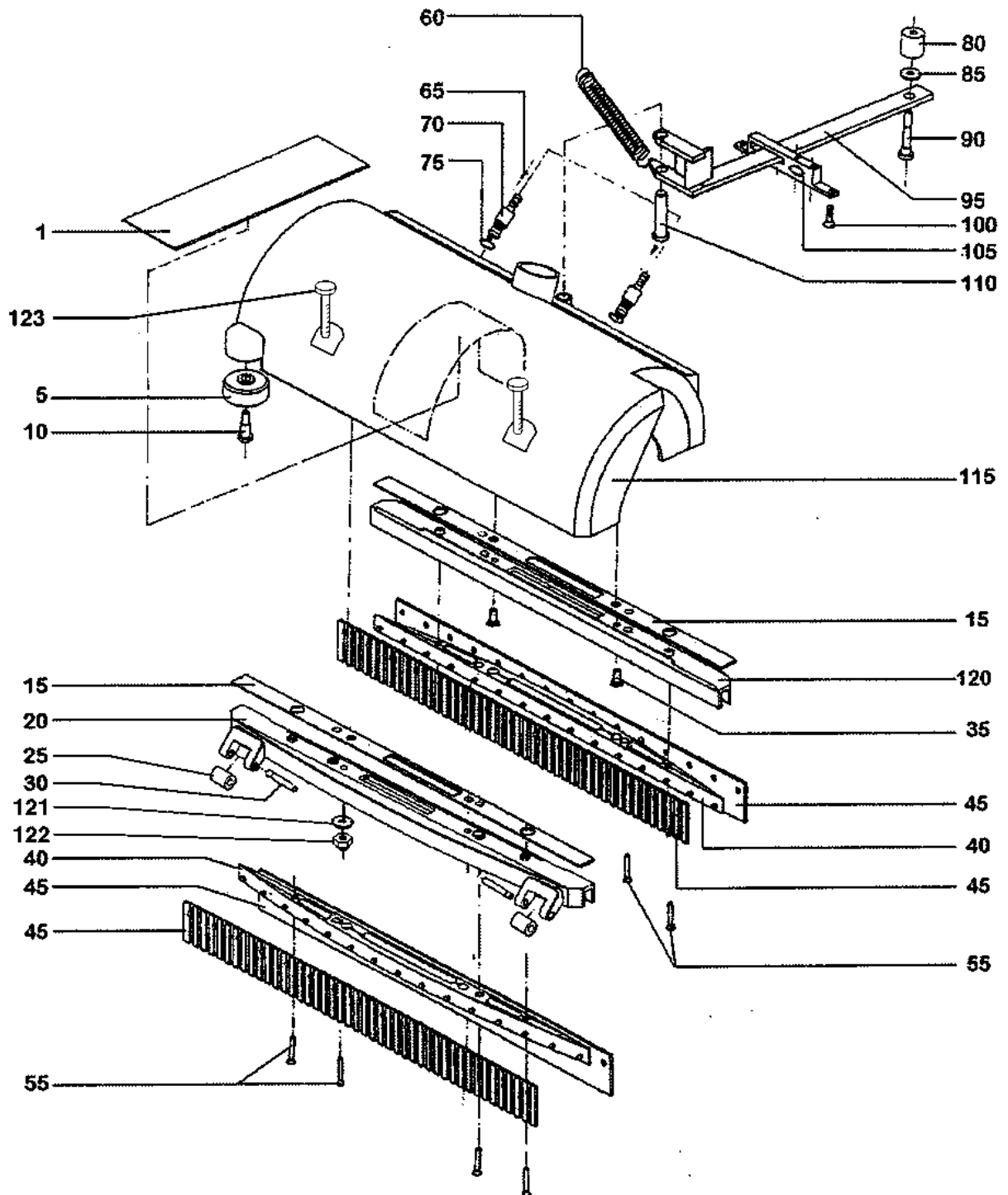
Resource notes:

POSITION 5. 909 5985 000 IS GOING OUT OF STOCK WILL BE REPLACED BY POSITION 5. 9099950000

Pos.	Product no	QTY	Description	Notes
00	L08425200	1	BRUSH CYL 340MM SOFT NYLON BLUE	
00	L08425300	1	BRUSH CYL 340MM GRIT 500 GREY	
00	9099521000	1	WEAR PACK KIT	[1]
00	9097353000	1	BLADES SQUEEGEE 440MM 17 PU KIT	
00	L08603110	1	FILTER VACUUM MOTOR	
00	9099522000	1	WEAR PACK SICA BRUSH KIT	[1]
00	L08603096	1	PRE FILTER VACUUM MOTOR D 80 T 20	[1]
01	L08603022	2	RING RUBBER	[2]
05	9099950000	1	MOTOR BRUSH 115V 50HZ KIT	[2]
05	9099665000	1	MOTOR BRUSH	[1]
10	L08603750	1	PULLEY ZAMAK TOOTHED W/WASHER CPL	[1]
100	L08425200	1	BRUSH CYL 340MM SOFT NYLON BLUE	
100	L08425300	1	BRUSH CYL 340MM GRIT 500 GREY	
105	L08603005	1	OIL SEAL TYPE N004/14	[1]
110	33006181	2	RING D 52 UNI7437	[1]
115	L08603008	1	SPACER D.25.2X30 H.24.5 GALV.	[1]
120	1467640000	2	BEARING BALL 6205 DDU SIP	
125	L08603009	1	PULLEY BRUSH SHAFT PLAST.	[1]
130	L08603177	1	BELT TIMING HTD 5M A 500	
135	L08603001	1	COVER BRUSH MOTOR PLAST.	
140	145 1964 000	6	SCREW M6X12 CAP HD HEX SOCK SS ISO4762	[1]
145	9099514000	1	HARDWARE BRUSH FIXING KIT	
26	L08603253	1	SHELL SCREWED FOR EL.MOT.	[1]
30	L08603023	1	RING RUBBER	[1]
35	L08603010	1	HOUSING MOTOR	[1]
36	L08603018	4	SPACER 7.5X12X8	[2]
40	L08603016	1	FLANGE BRUSH MOTOR	[1]
45	L08603017	4	SPACER	[1]
47		4		
50	L08812104	4	SCREW M5X18 CAP HD HEX SOCK ISO4762	[2]
55	1466530000	1	WASHER PLAIN M6X18 ISO7093 10 PCS SET	
60	33023653	4	SCREW M6X20 HD HEX ISO4762 10PCS.SET	
65	L08603241	1	SCREW WING KIT	
75	L08812686	2	SPACER 7X18X3 BLACK	[1]
80	L08603004	1	BUSH BRUSH FIXING	[1]
85	L08095000	1	O-RING 3.53X26.58 -4106- NBR 70SH	
90	33023696	1	RING F SHAFT D.5 DIN6799 SET 10 PCS	[1]
95	L08603003	1	SHAFT	[1]

Part Notes:

- [1] - STOCK COVERS GUARANTEE
 [2] - NO LONGER AVAILABLE

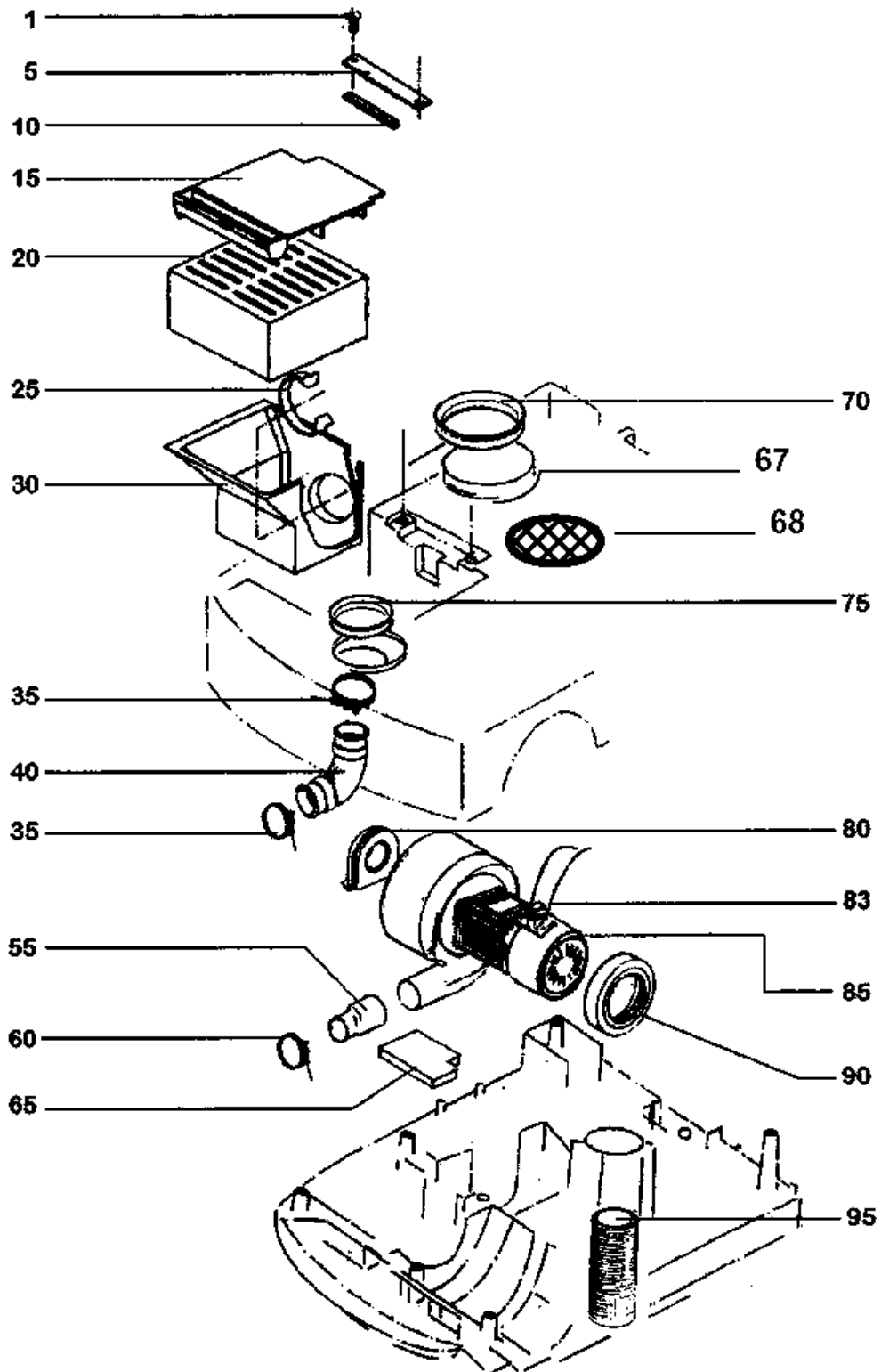


Resource notes:

Pos.	Product no	QTY	Description	Notes
00	9099518000	1	BLADES SQUEEGEE 440MM 17 REAR PU KIT	[1]
00	9099515000	1	COVER BRUSH COMPLETE KIT	[2]
00	9097353000	1	BLADES SQUEEGEE 440MM 17 PU KIT	[3]
00	9099516000	1	COVER BRUSH KIT	[4]
00	9099517000	1	BLADES SQUEEGEE 440MM 17 FRONT PU KIT	[5]
01	L08603026	1	PANEL FOR BRUSH COVER	
05	L08603027	2	ROLLER BUMPER	[6]
10	L08220100	2	SCREW SHOULDER 8X16 M6 DIN923	[6]
100	L08603378	2	SCREW 4X20 PAN PHIL W/O BIT 10.9 F PLAST	[7]
105	L08812009	1	GUIDE	[6]
110	L08603036	1	PIN FOR BRUSH CONTROL LEVER	[6]
115	L08603728	1	COVER CYLINDRIC BRUSH GREY PLAST.	
120	L08603038	1	HOLDER REAR BLADE	
15	L08603039	2	SEAL BLADE HOLDER	
20	L08603397	1	HOLDER FRONT BLADE	
25	L08603402	2	ROLLER PLAST. F SUPPORT BLADE SQUEEGEE	
30	L08812122	2	PIN 6.3X40 UNI6873	
35	L08603744	2	SCREW M5X16 PAN HD PHIL SS ISO7045	
36	L08603733	2	SCREW M4X40 PAN HD PHIL SS ISO7045	[6]
37	9100001912	1	WASHER PLAIN M4X9SS ISO7089 10 PCS SET	
38	L08603685	2	NUT LOCK HEX M4 LOW SS ISO10511	
40	L08603040	2	SUPPORT PLAST. F SQUEEGEE BLADES	
45	9097353000	1	BLADES SQUEEGEE 440MM 17 PU KIT	
55	L08603203	8	SCREW M5X25 C/SUNK RISED PHIL SS ISO7047	
60	L08603037	1	SPRING EXTENSION D.E.11 WIRE D.1.25	[6]
65	L08603359	2	SCREW 4X10 PAN PHIL W/O BIT F PLASTIC	
70	L08603357	2	HOLDER RUBBER	[6]
75	L08603358	2	O-RING 1.78X6.65 -106- NBR 70SH	[6]
80	9100002198	1	LEVER BRUSH FIXING KIT	[8]
95	L08603031	1	LEVER BRUSH CONTROLLING	[6]

Part Notes:

- [1] - includes pos.15-35-40-45-50-55-120
- [2] - includes pos.1-5-10-15-20-25-30-35-40-45-50-55-65-70-75-115-120-121-122-123
- [3] - includes pos.45-50
- [4] - includes pos.65-70-75-115-121-122-123
STOCK COVERS GUARANTEE
- [5] - includes pos.15-20-25-30-40-45-50-55-123
- [6] - STOCK COVERS GUARANTEE
- [7] - NO LONGER AVAILABLE
- [8] - STOCK COVERS GUARANTEE
Included Item No.80, 85, 90



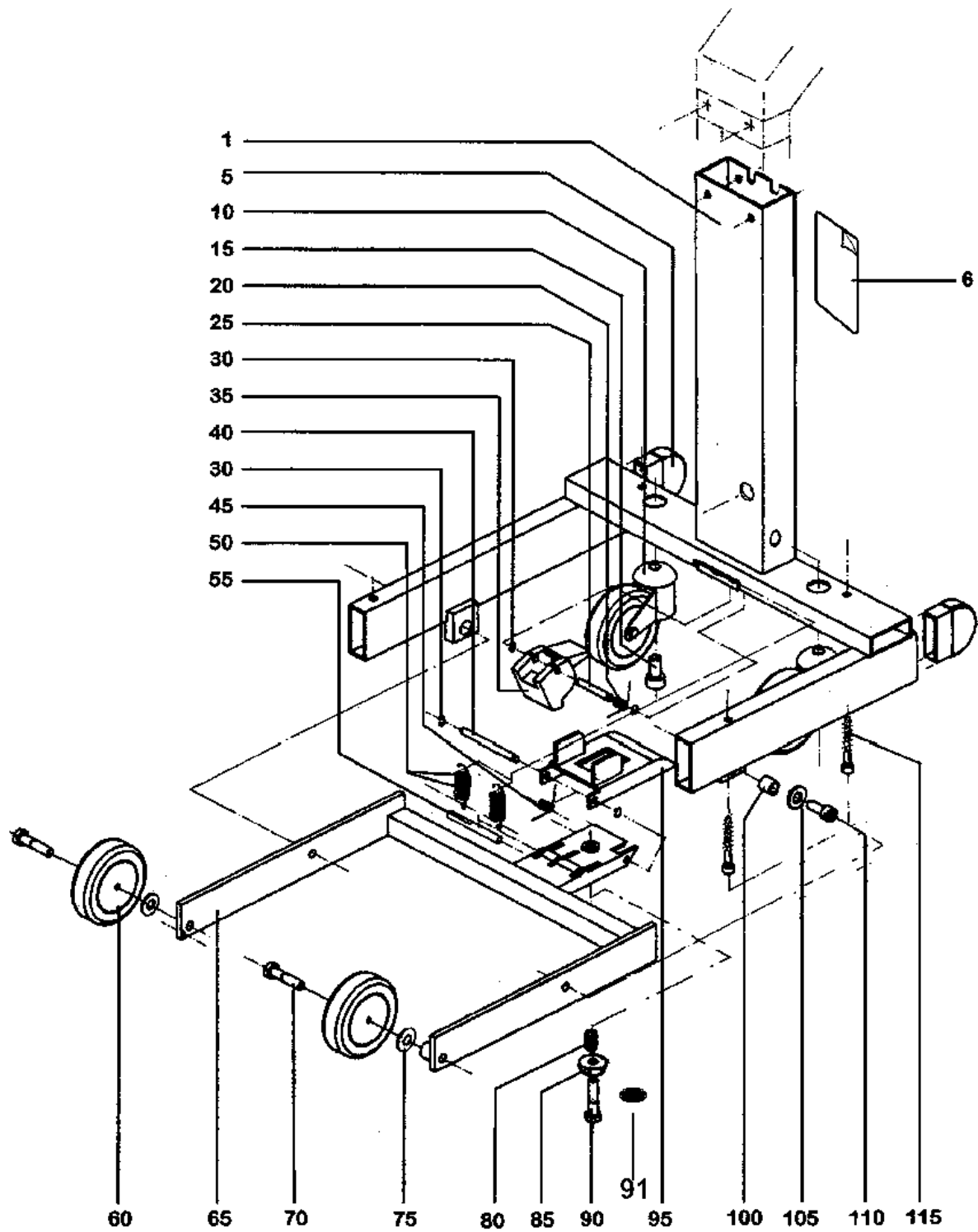
Resource notes:

POSITION 83 NO LONGER AVAILABLE BY THE SUPPLIER

Pos.	Product no	QTY	Description	Notes
00	L08812119	1	TURBINE SET	[1]
01	L08601157	2	SCREW 4.9X20 C/SUNK PHIL W/O BIT F PLAST	[2]
05	L08603187	1	PLATE GASKET	[3]
10	L08603188	1	GASKET PANEL	[2]
15	L08603108	1	COVER INSULATION ACOUSTIC PANEL PLAST.	[2]
20	L08603104	1	TOP SOUND INSULATION	
25	L08603174	1	CLAMP F SOUNDPROOF INSULATION PANEL	[2]
30	L08603103	1	BOTTOM SOUND INSULATION	[2]
35	L08600269	2	CLAMP 9/25-40	[2]
40	L08603092	1	HOSE SUCTION SQUEEGEE BLACK	
55	L08603101	1	SLEEVE RUBBER VACUUM MOTOR	[2]
60	L08601663	1	CLAMP 12/32 - 50	[2]
65	L08603102	1	PANEL DAMPER	[2]
67	L08603096	1	PRE FILTER VACUUM MOTOR D 80 T 20	[2]
68	L08603097	1	GRATE FILTER PROTECTION PLAST.	[2]
70	L08603095	1	SEAL SUCTION HOSE	[2]
75	L08603094	1	SEAL	[2]
80	L08603098	1	VIBRATION-DAMPING	[2]
83	L08812118	1	STRAND WIRE	[4]
85	L08603260	1	MOTOR VACUUM 120V 60HZ 5.7 2ST	
85	909 5040 000	1	MOTOR VACUUM 230V 50HZ	
90	L08603100	1	SEAL VACUUM MOT.FAN SIDE	[2]
90	L08812029	1	SEAL	[5]
95	L08603110	1	FILTER VACUUM MOTOR	

Part Notes:

- [1] - TURBINE CPL WITH GASKET - NOT SHOWN
NO LONGER AVAILABLE
- [2] - STOCK COVERS GUARANTEE
- [3] - NO LONGER AVAILABLE
- [4] - ITEM NO LONGER AVAILABLE
- [5] - GUARANTEE DATE EXPIRED

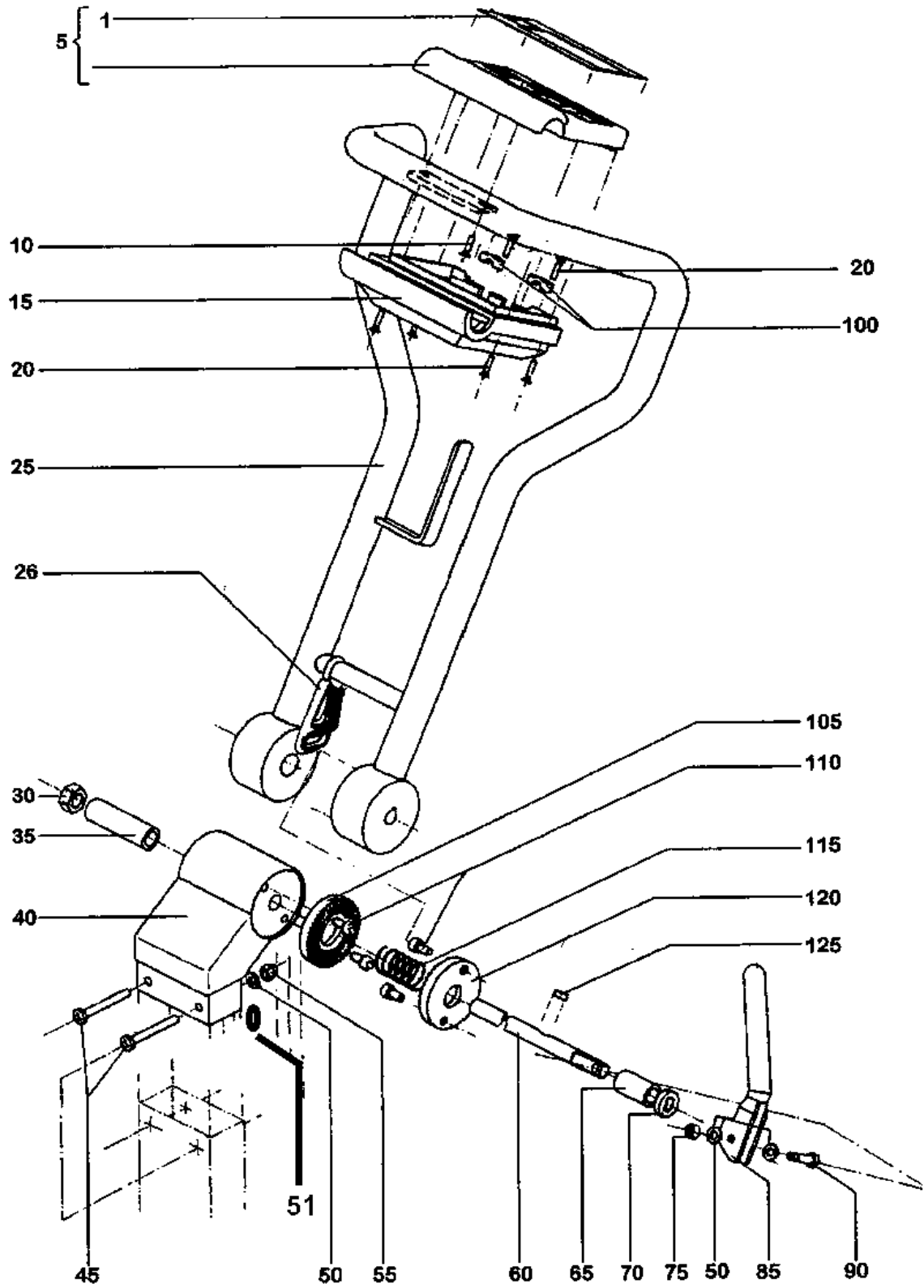


Resource notes:

Pos.	Product no	QTY	Description	Notes
00	9099520000	1	PEDAL BRUSH LIFTING KIT	[1]
01	L08812002	1	FRAME COATED RAL 9005	[2]
01	L08603066	1	FRAME	[1]
05	L08603068	2	PLUG F FRAME PLAST.	[1]
06	L08603214	1	DECAL INSTRUCTIONS	[3]
10	L08603076	2	WHEEL CASTOR D.75X25 GALV.	[1]
100	L08603055	2	SPACER D13X19 L.13 BRASS	[1]
105	9100001351	1	WASHER PLAIN M8 ISO7089 SS 10 PCS SET	
110	L08812803	2	SCREW M8X20 CAP HD HEX SS ISO4762 SCOTCH	[1]
115	L08603377	4	SCREW 6X25 PAN PHIL W/O BIT F PLASTIC	[1]
15	145 5742 000	2	SCREW M10X20 CAP HD HEX SOCK ISO4762	
20	L08603071	1	SPRING TORSION WIRE D.1.25 D.I. 9.25	
25	L08603069	1	PIN GALV. FOR PEDAL BLOCK	[3]
30	L08603183	4	RING RADIAL D 4 UNI7434	[1]
35	L08603354	1	BLOCK BRUSH PEDAL PLAST.	[1]
40	L08603356	1	PIN BRUSH PEDAL	[1]
45	L08603075	1	SPRING TORSION SS WIRE D.1.25 D.I. 8.8	[3]
50	L08603061	2	SPRING EXTENSION D.E.20 WIRE D.2.8	[3]
55	L08603062	1	PIN BRUSH LIFT.FRAME	[1]
60	9100000701	2	WHEEL D.75X28 GREY KIT	
65	L08603057	1	FRAME BRUSH LIFTING	[3]
70	L08603181	2	SCREW M8X35 HEX HD SS ISO4017 SCOTCH-GRI	[4]
75	9100001351	1	WASHER PLAIN M8 ISO7089 SS 10 PCS SET	
80	L08603064	1	SPRING COMPRESSION D.E.12 WIRE D.0.7	[1]
85	L08603065	1	KNOB	[1]
90	L08603063	1	SCREW M8X35 HEX HD F/THD SS ISO4017	[1]
91	L08603746	1	CAP PLASTIC BLACK F THREAD M8	[1]
95	L08603355	1	PEDAL BRUSH CONTROL	[1]

Part Notes:

- [1] - STOCK COVERS GUARANTEE
- [2] - GUARANTEE DATE EXPIRED
- [3] - NO LONGER AVAILABLE
- [4] - ALT.USE KIT 9100000701

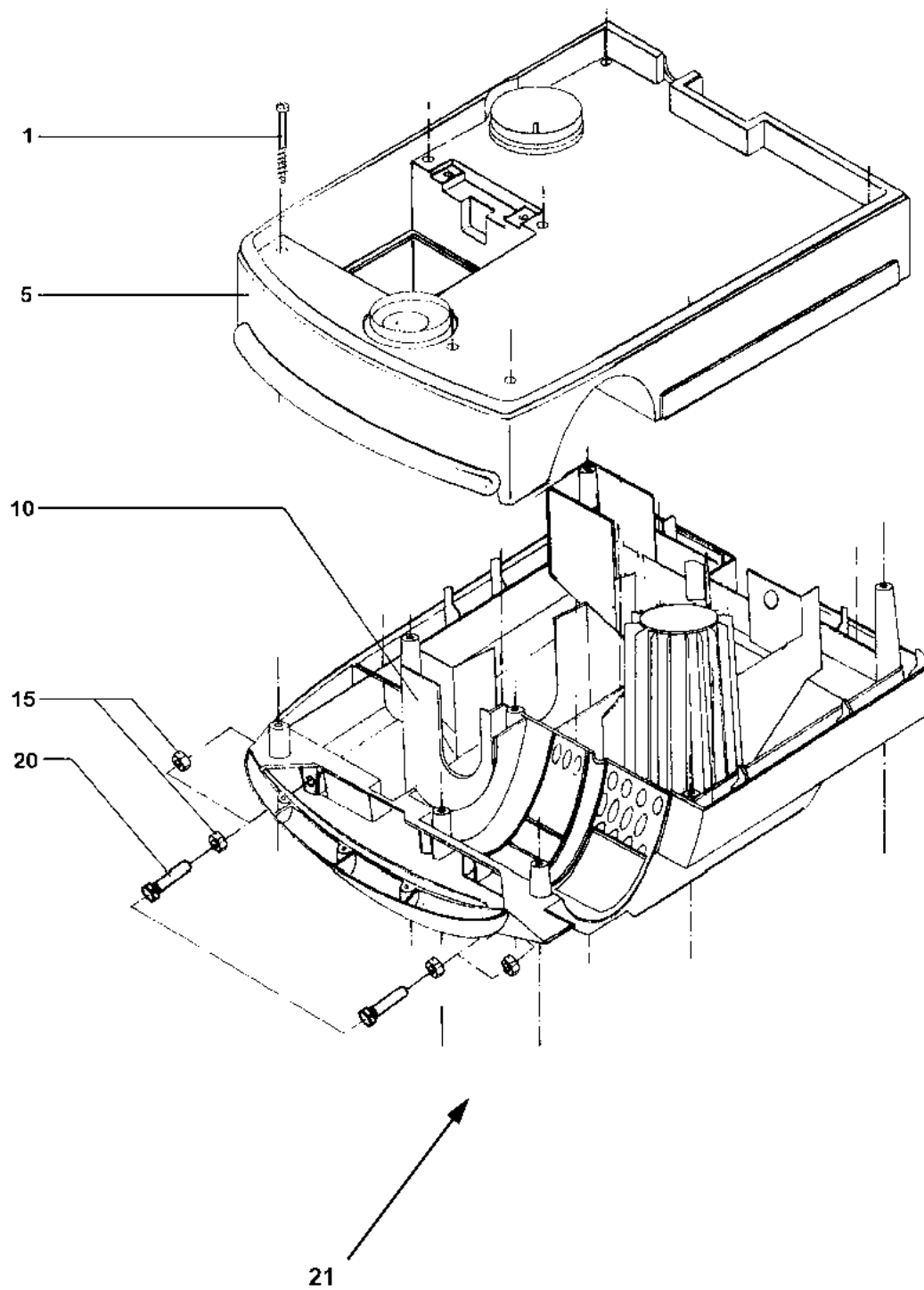


Resource notes:

Pos.	Product no	QTY	Description	Notes
01	L08603155	1	DECAL CONTROL PANEL	[1]
05	L08603231	1	HOUSING SWITCHES KIT W/DECAL	[2]
10	L08603244	2	SCREW 3.9X13 SELF PAN HD PHIL ISO7049	[1]
100	L08600168	2	BLOCK CABLE FIXING	
105	L08603137	1	RATCHET DISC HANDLE ADJ. SUPPORT	[1]
110	L08600149	4	SCREW M6X12 CAP HD HEX ISO4762 SCOTCH-GR	[1]
115	L08603144	1	SPRING COMPRESSION D.E.17.6 WIRE D.1.6	[1]
120	L08603138	1	RATCHET DISC HANDLE BAR	[1]
125	L08603141	1	KEY 4X4X12 UNI6604A	
15	909 5847 000	1	HOUSING SWITCH LOWER PLAST.	[1]
20	L08603192	8	SCREW 3.6X16 PAN PHIL W/O BIT F PLASTIC	[1]
25	L08603145	1	HANDLE BAR	[1]
26	L08601101	1	HOLDER CABLE	[3]
30	L08601000	1	NUT LOCK HEX M12 ISO7040	[1]
35	L08603142	1	SPACER 13X18X62	[3]
40	L08603136	1	SUPPORT HANDLE BAR	[1]
45	L08603190	2	SCREW M6X50 PAN HD PHIL ISO7045 SCOTCH-	[1]
50	33023208	2	WASHER PLAIN M8 ISO7089 10 PCS SET	
51	33005851	2	WASHER SPRING LOCK M6 DIN127-B	
55	33023669	1	NUT HEX M6 DOMED CAP HIGH 5 PCS SET	[4]
60	L08603140	1	SHAFT HANDLE ADJUST.LEVER	[1]
65	L08603191	1	SPACER D.13X18 H.32 GALV.	[3]
70	L08603143	1	SPACER HANDLE ADJUSTEMENT LEVER	[1]
75	33023667	1	NUT LOCK HEX M6 LOW ISO10511 5 PCS SET	
85	L08603146	1	LEVER HANDLE ADJUSTING	[1]
90	L08603175	1	SCREW M6X25 HEX HD P/THD 4.8 ISO4014	[1]

Part Notes:

- [1] - STOCK COVERS GUARANTEE
- [2] - ALTERNATIVE USE L08603155 & 909 5846 000
- [3] - NO LONGER AVAILABLE
- [4] - SEE PI 2017-002

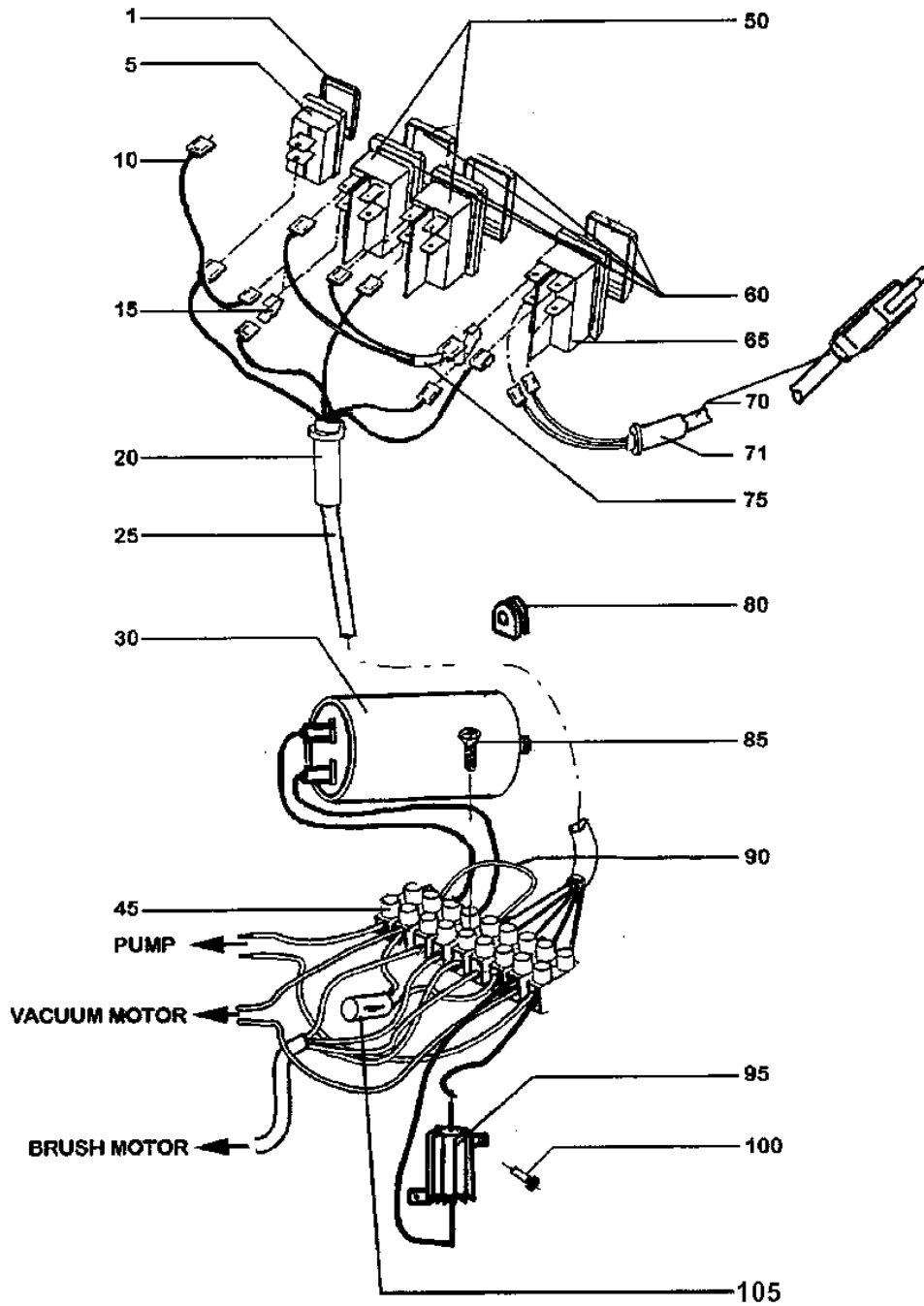


Resource notes:

Pos.	Product no	QTY	Description	Notes
00	L08812028	1	HOSE SECTION	[1]
01	909 5893 000	8	SCREW 6X60 PAN PHIL W/O BIT F PLASTIC	[2]
05	L08603367	1	FRAME UPPER	
10	L08603368	1	FRAME LOWER RAL7016	[2]
15	L08603206	4	NUT HEX M8 MEDIUM SS ISO4032	[2]
20	L08603219	2	SCREW M8X30 HEX HD F/THD SS ISO4017	[2]
21	9099431000	1	CHASSIS KIT	

Part Notes:

- [1] - GUARANTEE DATE EXPIRED
- [2] - STOCK COVERS GUARANTEE



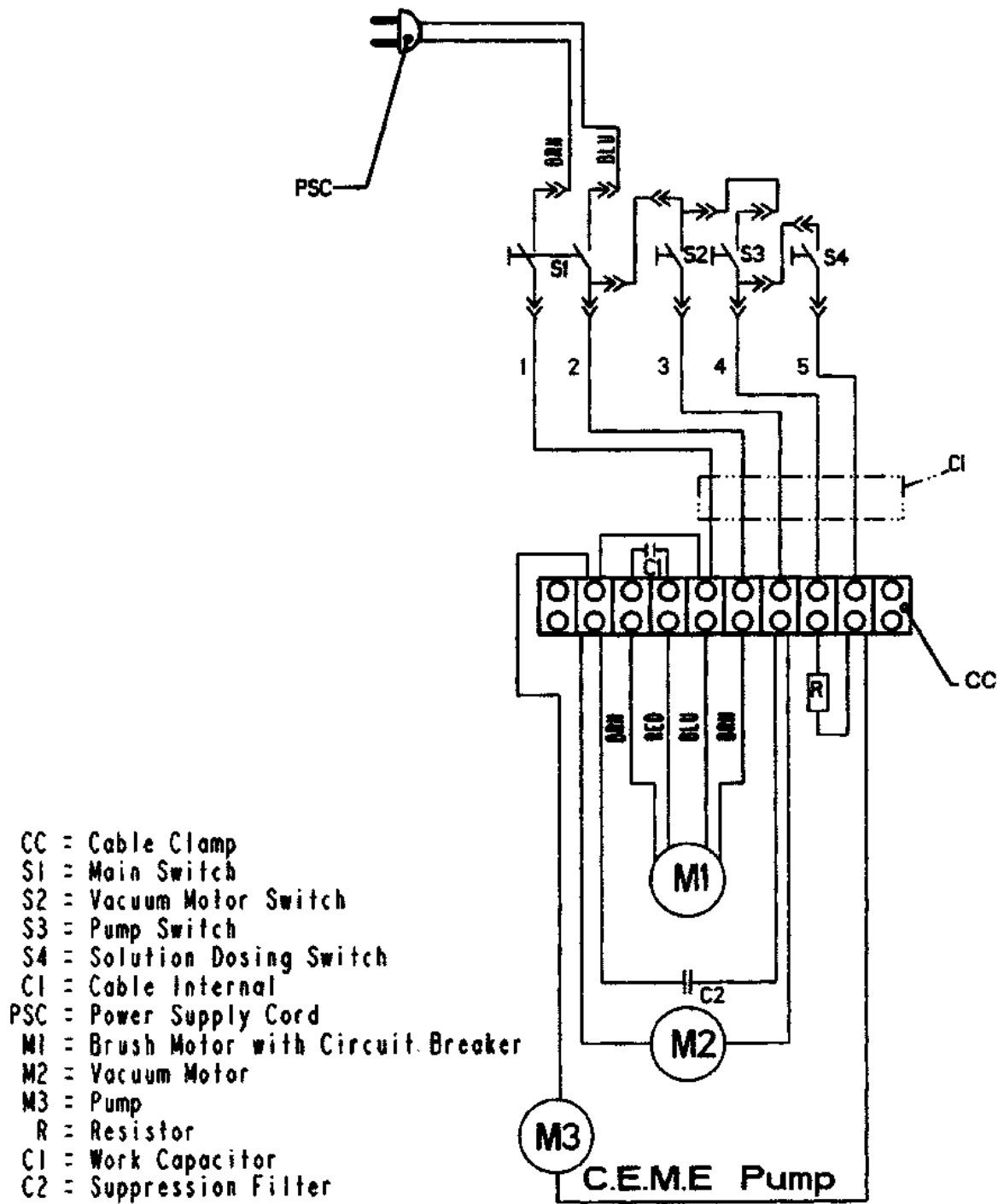
Resource notes:

POS. 10 INCLUDES: POSITIONS 10-15-75 POS. 71 NO MORE USED IN THE MACHINE

Pos.	Product no	QTY	Description	Notes
00	909 5667 000	1	SWITCH COMPLETE	[1]
00	909 5668 000	1	SWITCH ROCKER ORANGE 2 POS. -1 MOM.	
01	L08603154	1	CAP PROTECTION	
05	L08603153	1	SWITCH PUMP	[1]
10	9098694000	1	HARNESS CONTROL PANEL KIT	[2]
100	L08348200	1	SCREW 2.9X9.5 SELF PAN HD PHIL ISO7049	[3]
105	L08603912	1	CAPACITOR 0.1UF	[1]
20	L08603150	1	GROMMET SLEEVE	[1]
25	L08603169	1	CABLE	[1]
30	L08603303	1	CAPACITOR 250V 40UF	[4]
30	L08603254	1	CAPACITOR 450V	[5]
45	L08603196	1	CLAMP 10 CHANNELS	[3]
50	909 5667 000	2	SWITCH COMPLETE	[1]
60	L08603193	3	COVER SWITCH	[1]
65	909 5668 000	1	SWITCH ROCKER ORANGE 2 POS. -1 MOM.	
70	909 6231 000	1	CABLE POWER SUPPLY ORANGE COLOUR E	[1]
70A	82179200		PLUG UK	[6]
70	L08227800	1	CABLE POWER SUPPLY WITHOUT PLUG	[3]
80	L08603129	2	GROMMET D.13 BLACK	[1]
85	L08093800	1	SCREW 2.9X16 SELF PAN HD PHIL ISO7049	[3]
90	L08603756	1	CABLE BRIDGE UL AWG 18	[3]
95	9099066000	1	RESISTOR KIT	[1]

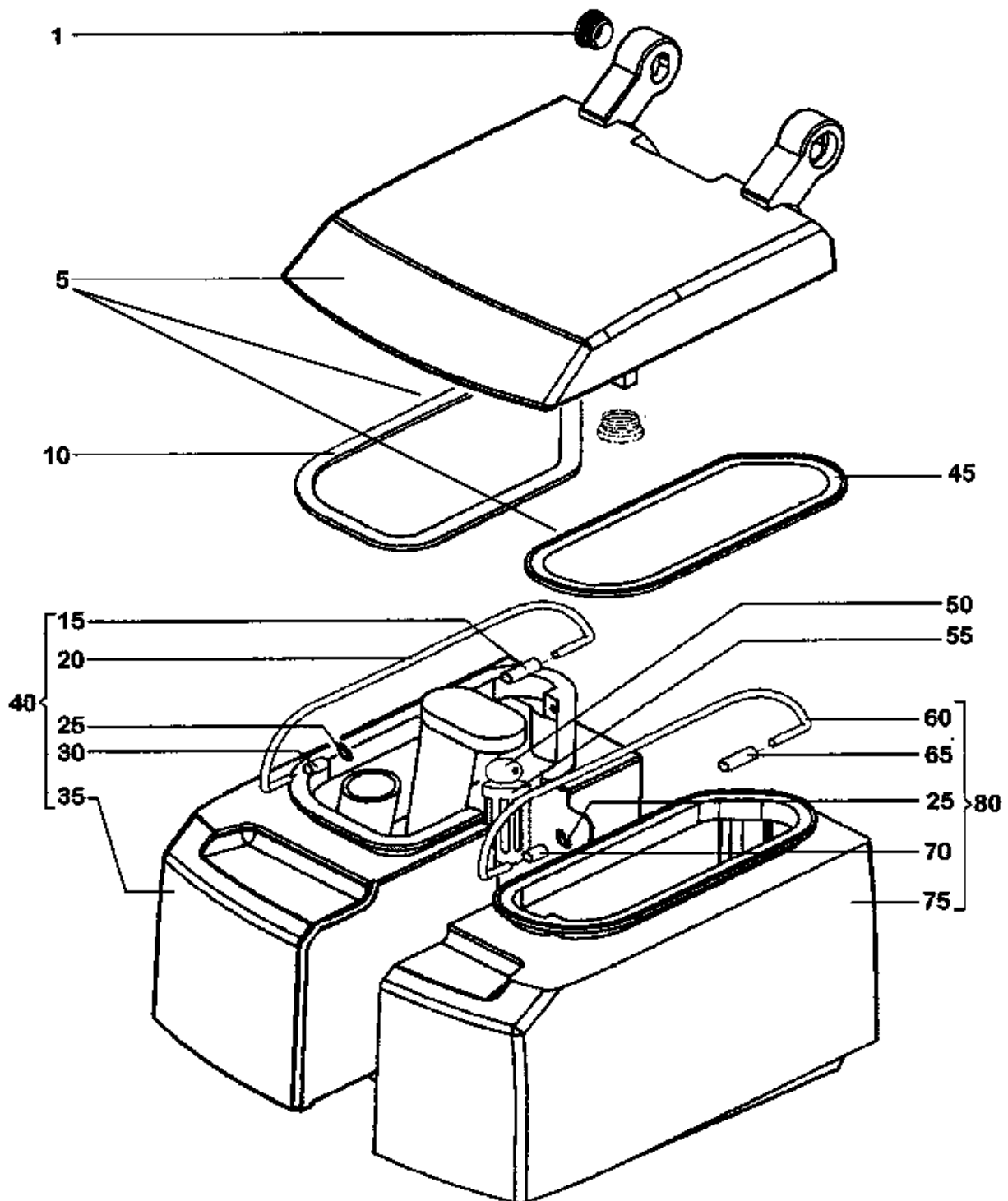
Part Notes:

- [1] - STOCK COVERS GUARANTEE
- [2] - NO LONGER AVAILABLE
- INST.INSTR.CODE 9098695000
- [3] - NO LONGER AVAILABLE
- [4] - FOR 110V VERSIONS
NO LONGER AVAILABLE
- [5] - FOR 220V VERSIONS
STOCK COVERS GUARANTEE
- [6] - ADPTER FOR MAIN CORD CABLE UK



Resource notes:

Pos.	Product no	QTY	Description	Notes
------	------------	-----	-------------	-------



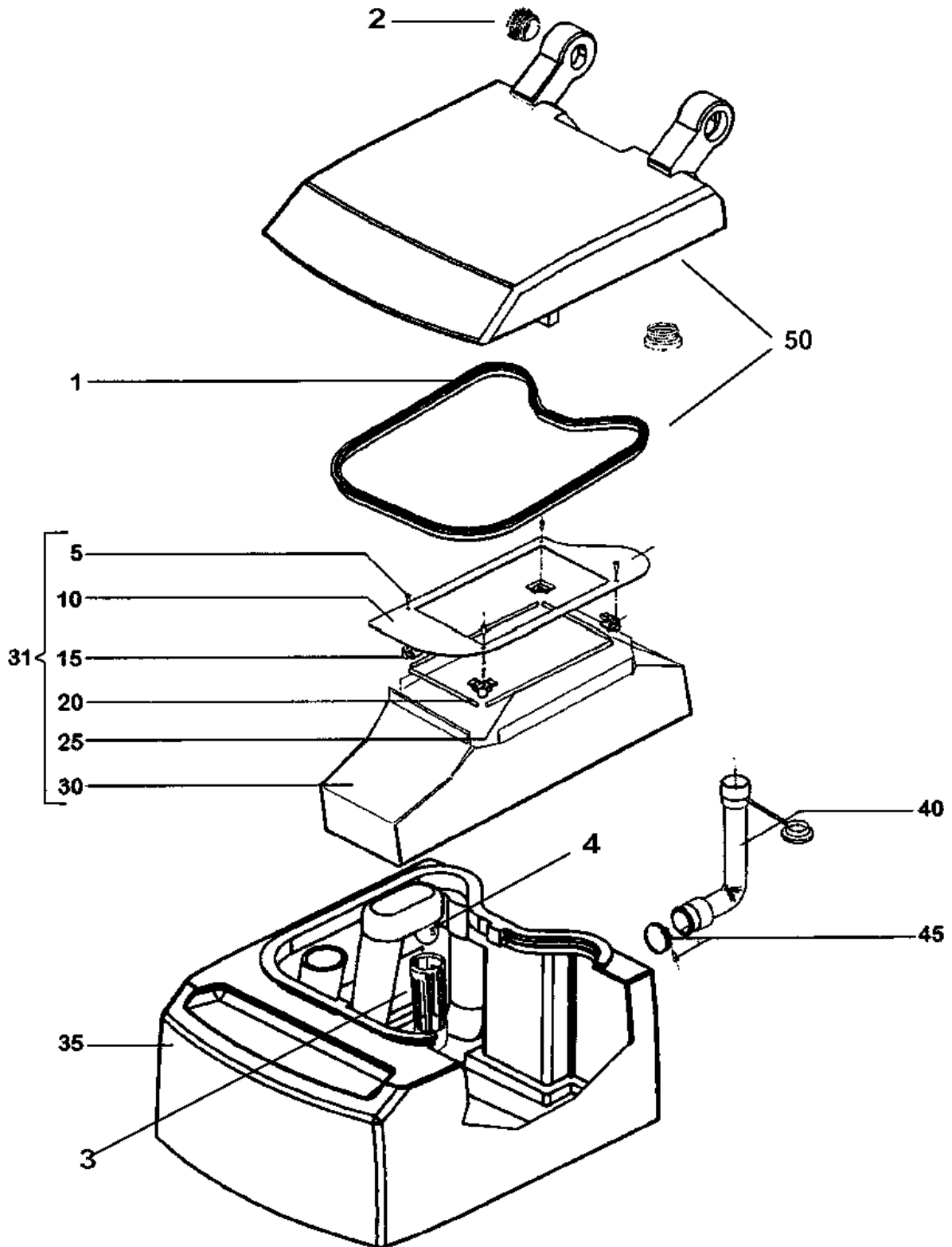
Resource notes:

position 0 not shown L08812036 valid for machine product numbers L08919552 (L5 2256) POSITIONS 1-25- 30
 VALID FOR MACHINES BEFORE SERIAL NUMBER 3810122800029 POSITION 0: 9097737000 valid for machine
 CA 340 ET pruned in 31.03.2009

Pos.	Product no	QTY	Description	Notes
00	9097737000	1	DECAL NILFISK CA 340ET	[1]
00	I08812036	1	WEIGHT	[2]
00	9097736000	1	DECAL NILFISK CA 340	[3]
00	L08603365	1	TANKS TWO WATER KIT	[2]
01	1466138000	1	CAP BLACK PPL DE 42X11.5 SIP	
05	L08603084	1	COVER PLAST. GREY F WATER TANKS KIT	[2]
10	L08603230	1	GASKET BULB RUBBER L.860MM SIP	
15	L08603239	1	SPACER D.7X10 H.32 PLASTIC	[1]
20	9099506000	1	GRIP RECOVERY TANK KIT	[2]
25	L08603255	4	COVER PIN	[3]
30	L08603240	1	SPACER 7X10X14	[1]
35	L08603119	1	TANK RECOVERY 12L PLAST. GREY	[2]
40	L08603235	1	TANK RECOVERY 12L PLAST. GREY KIT	[2]
45	L08603229	1	GASKET BULB RUBBER L.780MM SIP	
50	L08092600	1	BALL FLOATING	
55	9100001371	1	CAGE FLOAT PLAST. SIP	
60	9099505000	1	GRIP SOLUTION TANK KIT	[2]
65	L08603117	1	SPACER 7X10X19	[3]
70	L08603240	1	SPACER 7X10X14	[1]
75	L08603118	1	TANK SOLUTION 11L PLAST. GREY	
80	L08603234	1	TANK SOLUTION 11L PLAST. GREY KIT	[2]

Part Notes:

- [1] - GUARANTEE DATE EXPIRED
- [2] - STOCK COVERS GUARANTEE
- [3] - NO LONGER AVAILABLE



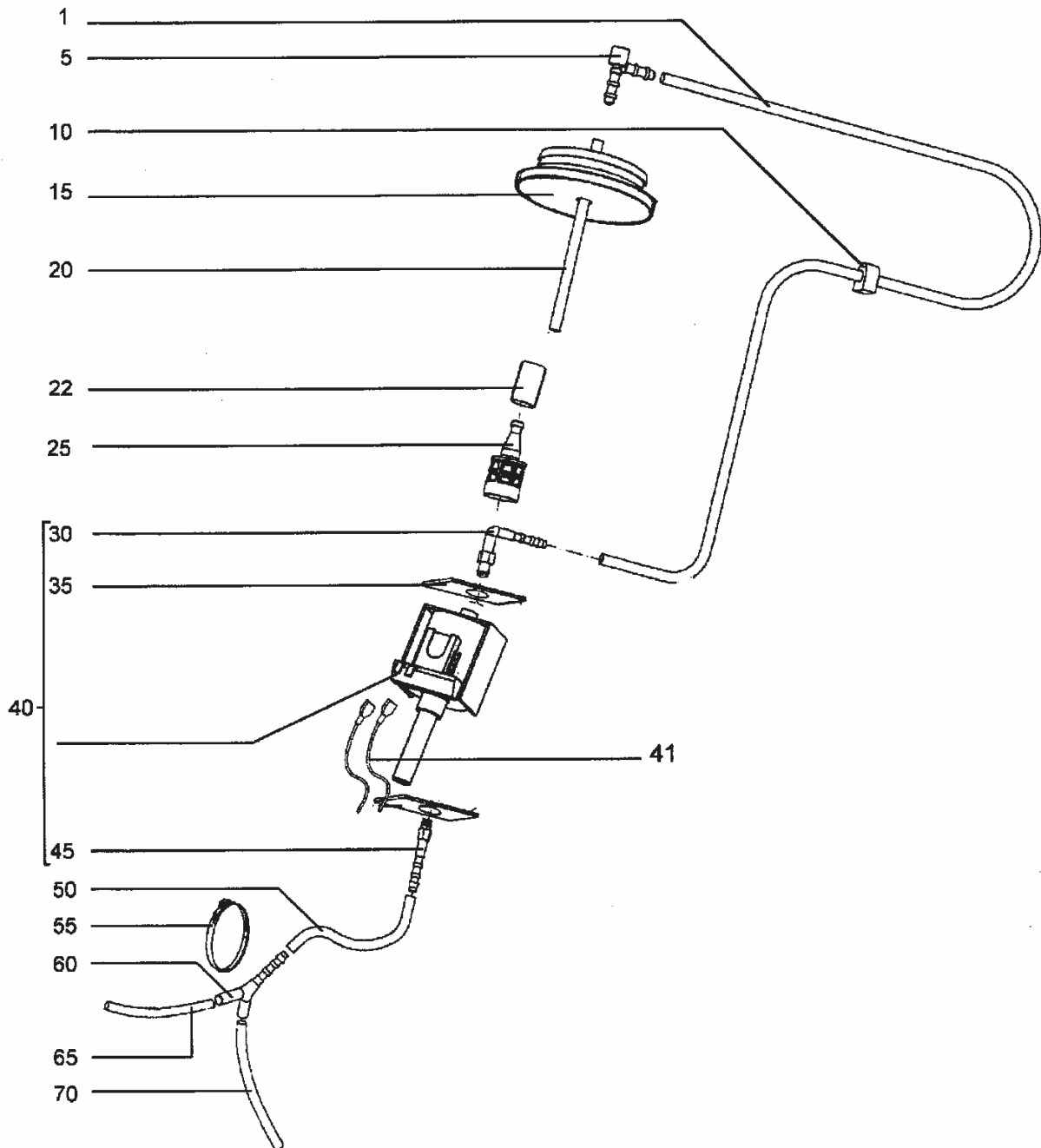
Resource notes:

POSITION 40 L08812013 BELONG ONLY TO THE MACHINE L08919552 PRUNED ON THE 12.04.2011
L08919552

Pos.	Product no	QTY	Description	Notes
00	L08603489	1	TANK WATER GREY W/MEMBRANE KIT	[1]
01	L08603228	1	GASKET BULB RUBBER L.1225MM SIP	
02	1466138000	1	CAP BLACK PPL DE 42X11.5 SIP	
03	9100001371	1	CAGE FLOAT PLAST. SIP	
04	L08092600	1	BALL FLOATING	
05	L08603123	4	SCREW 3.5X10 PAN PHIL W/O BIT SS F PLAST	[2]
10	L08603121	1	FRAME OPEN FOR MEMBRANE	[1]
15	L08603122	4	BLOCK MEMBRANE FRAME PLAST.	[1]
20	L08603236	2	ROD DRAWN D.4 L.100MM	[1]
25	L08603237	2	ROD DRAWN D.4 L.190MM	[1]
30	L08603120	1	MEMBRANE FOR 15 LITRES	[1]
30	L08812012	1	MEMBRANE FOR 30 LTRES	[3]
31	L08603364	1	MEMBRANE 15 LT W/SUP. KIT	[1]
31	L08812087	1	MEMBRANE 30 LT W/SUP. KIT	[1]
35	L08603400	1	TANK WATER PLAST. GREY	[2]
40	L08812013	1	HOSE DRAIN	[1]
40	L08603083	1	HOSE DRAIN GREY	[3]
45	L08600269	1	CLAMP 9/25-40	[3]
50	L08603745	1	COVER PLAST. GREY F WATER TANKS KIT	[2]

Part Notes:

- [1] - GUARANTEE DATE EXPIRED
- [2] - NO LONGER AVAILABLE
- [3] - STOCK COVERS GUARANTEE



Resource notes:

Pos.	Product no	QTY	Description	Notes
00	L08812124	1	PUMP W/NIPPLE 100-125V KIT	[1]
00	9100000933	1	PUMP WATER 230V 40W KIT	[2]
01	L08603735	1	HOSE CRISTAL D.6X10 L.900MM SIP	[3]
01	L08812025	1	HOSE CRISTAL D.6X10 L.1040MM SIP	[3]
05	L08603189	1	BARB HOSE 90 D.6 PLASTIC	
10	L08603129	2	GROMMET D.13 BLACK	[3]
15	9100000733	1	CAP PLASTIC D.42 WHITE WITH HOLE SIP	[3]
20	L08812048	1	HOSE CRISTAL D.6X10 L.650MM SIP	
20	L08603225	1	HOSE D.6 L.270MM SIP	
25	L08603126	1	FILTER SOLUTION	
30	L08603131	1	BARB HOSE 90 D.6 1/8 PLASTIC	[4]
35	L08603246	2	SPONGE ANTIDUST	
40	9100000933	1	PUMP WATER 230V 40W KIT	[5]
40	L08603453	1	PUMP W/RESISTOR 110V 50HZ	[1]
41	L08603200	2	EL.WIRE FOR PUMP	[3]
41	L08603352	2	WIRE WHITE FOR CAPACITOR	[3]
45	L08603130	1	BARB HOSE STRAIGHT D.6 1/8 PLASTIC	
50	L08603752	1	HOSE SILICON D.6X9 L.250MM SIP	[6]
50	9100000960	1	HOSE SILICONE D.6X9 L.290MM SIP	[7]
60	L08603133	1	BARB HOSE Y D.6 PLASTIC	[3]
65	L08603223	1	HOSE SILICON D.6X9 L.165MM SIP	[3]
70	L08603224	1	HOSE SILICON D.6X9 L.95MM SIP	[3]

Part Notes:

- [1] - NO LONGER AVAILABLE
- [2] - replace code L08603755 - INTS. INTR. 9100000934
- [3] - STOCK COVERS GUARANTEE
- [4] - GUARANTEE DATE EXPIRED
- [5] - INST. INSTR. 9100000934
- [6] - STOCK COVERS GUARANTEE UNTIL MACHINE S.N. 3810151000054
- [7] - STOCK COVERS GUARANTEE STARTING MACHINE S.N. 3810151000055

