

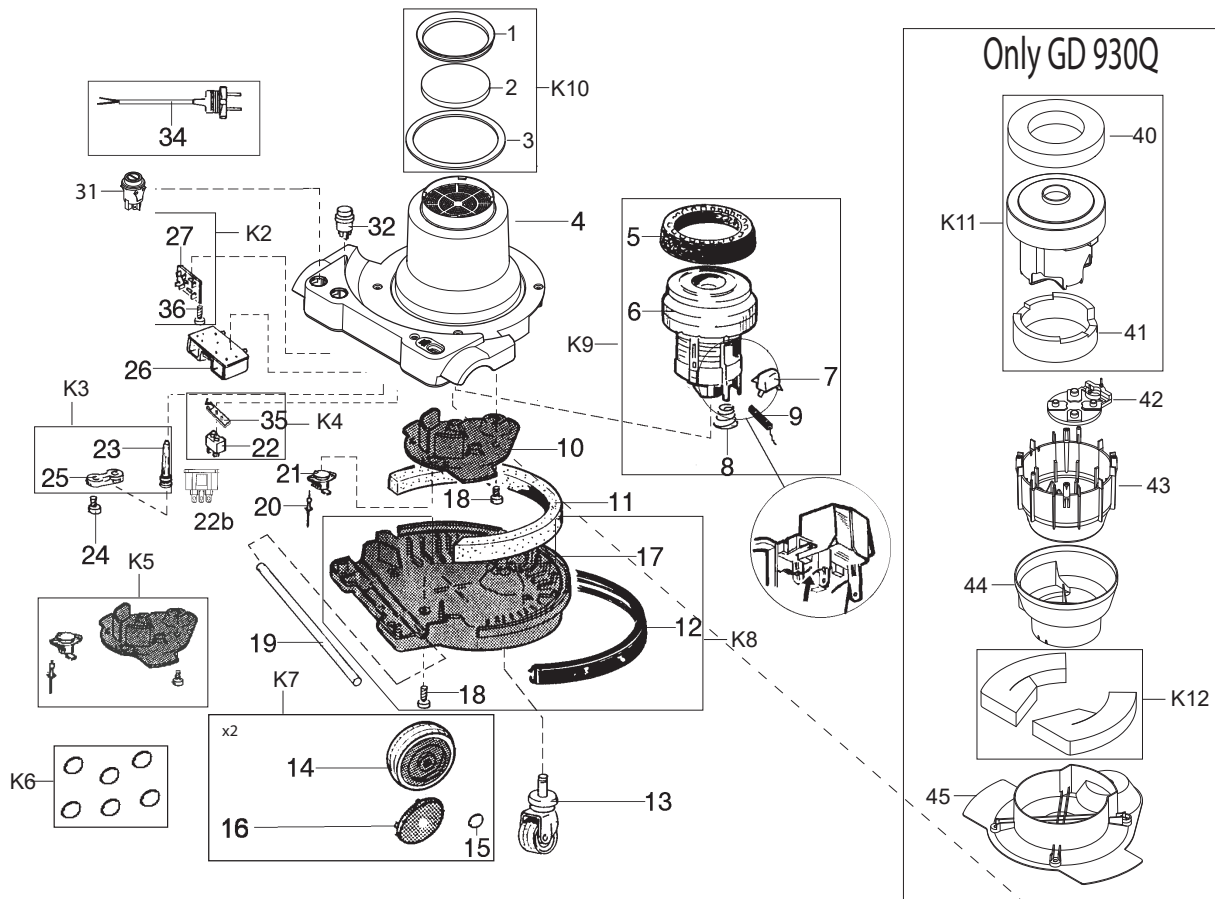
PARTS LIST



2021.02.15

TABLE OF CONTENTS

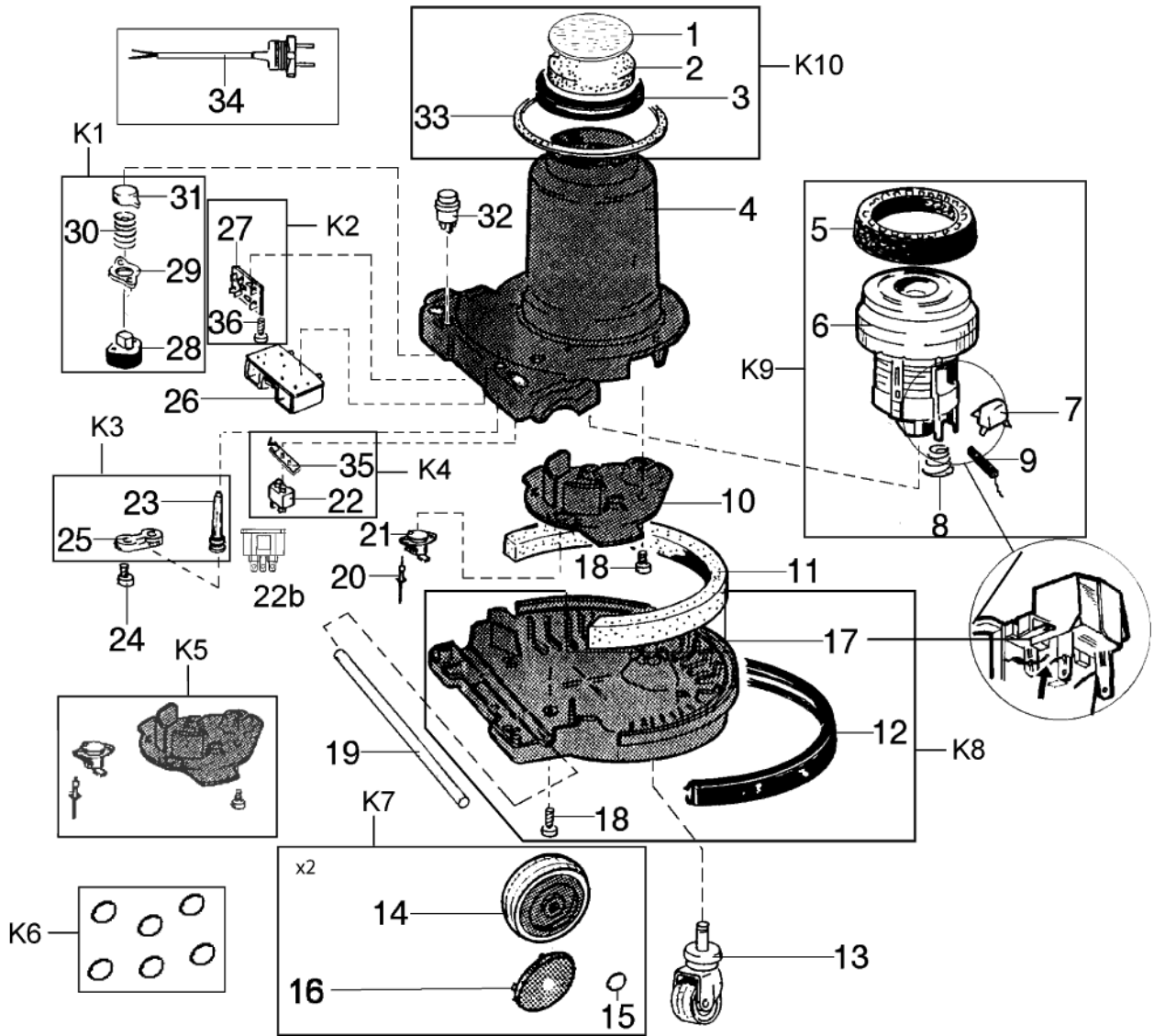
Lower parts after serial no. (12.2012)-	1
Lower parts before serial no. (11.2012)	4
Container and Filters	7
Nozzles Ø 32 mm	9
Hose and tubes	11
Power brush UZ 984	13
RECOMMENDED SPARE PARTS	15
Wiring	17



Pos.	Product no	QTY	Description	Notes
00	107412603		BOX GD 930 10X	[1]
1	107418901	1	GASKET FILTER SEAL	
2	140 1535 510	1	MOTOR FILTER	
3		1	Part of kit K10	[2]
4	107413587	1	STAND BLACK ON-OFF ONLY W POWER OUTLET	[3]
4	107413588	1	STAND BLACK DUAL SPEED W POWER OUTLET	
4	107413589	1	STAND BLACK ON-OFF ONLY W POWEROUTLET US	[4]
5	140 7901 000	1	SUSPENSION RING	
6		1	Part of kit K9	[5]
7	140 8166 010	1	CAPACITOR	
8	140 7016 000	1	SPRING	
9	140 7719 000	1	CARBON BRUSH F. 230/240V FAN	
10		1	Part of kit K5	[6]
11	140 7022 500	1	MUFFLER STRIP	
12		1	Part of kit K8	[7]
13	140 7025 500	1	WHEEL FRONT 1-P	
14		1	Part of kit K7	[8]
15		1	Part of kit K7	[8]
16		1	Part of kit K7	[8]
17		1	Part of kit K8	[7]
18	140 9214 070	3	SCREW PTK 50X14	
19	140 5059 000	1	SHAFT L 369MM DIAM. 8MM	
20	140 5694 000	1	RIVET	
21	140 3894 500	1	THERMO PROTECTION KIT	
22	010 9678 500	1	OUTLET ELECTRICAL 230V	
23	140 7035 000	1	GROMMET	[9]
24	140 9214 040	2	SCREW PTK TORX 40X14 MM FZB	
25	056 1014 060	1	ANTI-STRAIN CLIP BLACK	
26	140 7026 500	1	2S CIRCUIT BOARD 220-240V KIT	
31	107408927	1	SWITCH ON/OFF 930-SERIES	
32	140 7023 500	1	SWITCH SPEED FOR 930S2	
34	140 6423 500	1	CORD EU L 15M	
34	107407565	1	CORD SET ORANGE 15.5M - KIT	[10]
35	010 9678 500	1	OUTLET ELECTRICAL 230V	
36	140 7027 010	1	SCREW PT WN1451 D10X15	[11]
40	107410498	1	TURBINE DAMPER	
41	107410499	1	SOUND ABSORBER	
42	107410500	1	MOTOR DAMPER	
43	107410501	1	INNER AIRGUIDE	
44	107410502	1	INNER AIRGUIDE 2	
45	107410503	1	BASEPLATE GD930Q	
K2	140 7024 500	1	BOARD ANTI STATIC	
K3	140 7035 500	1	PROTECTION SLEEVE KIT	
K4	140 7665 500	1	OUTLET ELECT. 15A 250V	
K5	140 7012 500	1	MOTOR PLATE GD/UZ930/S2	
K6	140 5058 500	1	LOCK WASHER GD 930	
K7	140 5055 500	1	WHEEL REAR 2-P 930-SERIES	
K8	107408930	1	BOTTOM PLATE 2-POLE SWITCH BLACK	
K9	140 7902 500	1	FAN UNIT KIT DOMEL 230V	
K9	140 7902 510	1	FAN UNIT KIT DOMEL 110-120V	[4]
K9	140 7902 530	1	FAN UNIT KIT DOMEL 100V	[12]
K10	140 1535 500	1	MOTOR PROTECTION	
K11	107410504	1	TURBINE 220-240V KIT	[13]
K11	107410505	1	TURBINE 120V KIT	[4]
K11	107410506	1	TURBINE 100V KIT	[12]
K12	107410507	1	EXHAUST FOAM	

Part Notes:

- [1] - Neutral Box kit containing 10 pcs
- [2] - part of kit K10
- [3] - To be used on dark/light grey versions also
- [4] - US
- [5] - part of kit K9
- [6] - part of kit K5
- [7] - part of kit K8
- [8] - part of kit K7
- [9] - part of kit K3
- [10] - Nordic
- [11] - GUARANTEE DATE EXPIRED
- [12] - JP
- [13] - EU, UK, AUS/NZ, CN



Pos.	Product no	QTY	Description	Notes
00	140 7031 010	1	CARTON UZ 930S WHITE	[1]
2	140 1535 510	1	MOTOR FILTER	
4	140 7010 500	1	STAND W CABLE PROTECT & SOCKET E-NOZZLE	[2]
4	140 7010 080	1	STAND UL-LISTED	
4	140 7010 530	1	STAND BASIC	[2]
4	140 7010 540	1	STAND S2 W SQUARE HOLE E-NOZZLE	[2]
4	140 7010 510	1	STAND S2 W SOCKET E-NOZZLE	[2]
5	140 7901 000	1	SUSPENSION RING	
6		1	Part of kit K9	[3]
7	140 8166 010	1	CAPACITOR	
8	140 7016 000	1	SPRING	
9	140 7719 000	1	CARBON BRUSH F. 230/240V FAN	
9	140 7720 000	1	CARBON BRUSH F. 110-120V FAN	
9	001 8619 110	1	CARBON BRUSH WITHOUT HOLDER	
11	140 7022 500	1	MUFFLER STRIP	
13	140 7025 500	1	WHEEL FRONT 1-P	
18	140 9214 070	3	SCREW PTK 50X14	
19	140 5059 000	1	SHAFT L 369MM DIAM. 8MM	
20	140 5694 000	1	RIVET	
21	140 3894 500	1	THERMO PROTECTION KIT	
22	010 9678 500	1	OUTLET ELECTRICAL 230V	
22b	140 7665 500	1	OUTLET ELECT. 15A 250V	[4]
23	093 1027 010	1	ABLE PROTECTION USA	
24	140 9214 040	2	SCREW PTK TORX 40X14 MM FZB	
25	056 1014 060	1	ANTI-STRAIN CLIP BLACK	
26	140 7026 500	1	2S CIRCUIT BOARD 220-240V KIT	
26	140 7026 500	1	2S CIRCUIT BOARD 220-240V KIT	
26	140 7026 510	1	2S CIRCUIT BOARD 110-120V KIT	
31	140 7805 000	1	BUTTON RED GD930	[5]
32	140 7023 500	1	SWITCH SPEED FOR 930S2	
34	140 6423 560	1	CORD US L 10M GROUNDED	
34	140 6423 540	1	CORD UK L 10M	
34	140 6423 580	1	CORD AU L 15.5M	
34	140 6423 510	1	CORD EU L 10M	
34	140 6423 530	1	CORD UK L 15M	
34	107407565	1	CORD SET ORANGE 15.5M - KIT	[6]
34	140 6423 570	1	CORD JP L 15M	
34	107401390	1	CORD SET CN 15.5M - KIT	
34	140 6423 550	1	CORD US PLUG L 15M	
34	140 6423 500	1	CORD EU L 15M	
34	140 3859 020	1	CORD SET	[7]
34	140 6423 520	1	CORD KIT CH L 15M	[8]
35	010 9678 500	1	OUTLET ELECTRICAL 230V	
K1	140 7033 500	1	SWITCH ON/OFF 930-SERIES	[9]
K2	140 7024 500	1	BOARD ANTI STATIC	
K3	140 7035 500	1	PROTECTION SLEEVE KIT	
K3	140 7035 510	1	PROTECTION SLEEVE US KIT	
K4	140 7665 500	1	OUTLET ELECT. 15A 250V	
K5	140 7012 500	1	MOTOR PLATE GD/UZ930/S2	
K5	140 7012 510	1	MOTOR PLATE GD 930/S2	
K6	140 5058 500	6	LOCK WASHER GD 930	
K7	140 5055 500	2	WHEEL REAR 2-P 930-SERIES	
K8	140 7011 510	1	BASE BUMPER GD930/UZ930/S2	[10]
K8	140 7011 500	1	BASE BUMPER GD/UZ930S/S2	
K9	140 7902 500	1	FAN UNIT KIT DOMEL 230V	
K9	140 7902 520	1	FAN UNIT KIT DOMEL 240V	[11]
K9	140 7902 530	1	FAN UNIT KIT DOMEL 100V	[12]
K9	140 7902 510	1	FAN UNIT KIT DOMEL 110-120V	[4]
K10	140 1535 500	1	MOTOR PROTECTION	

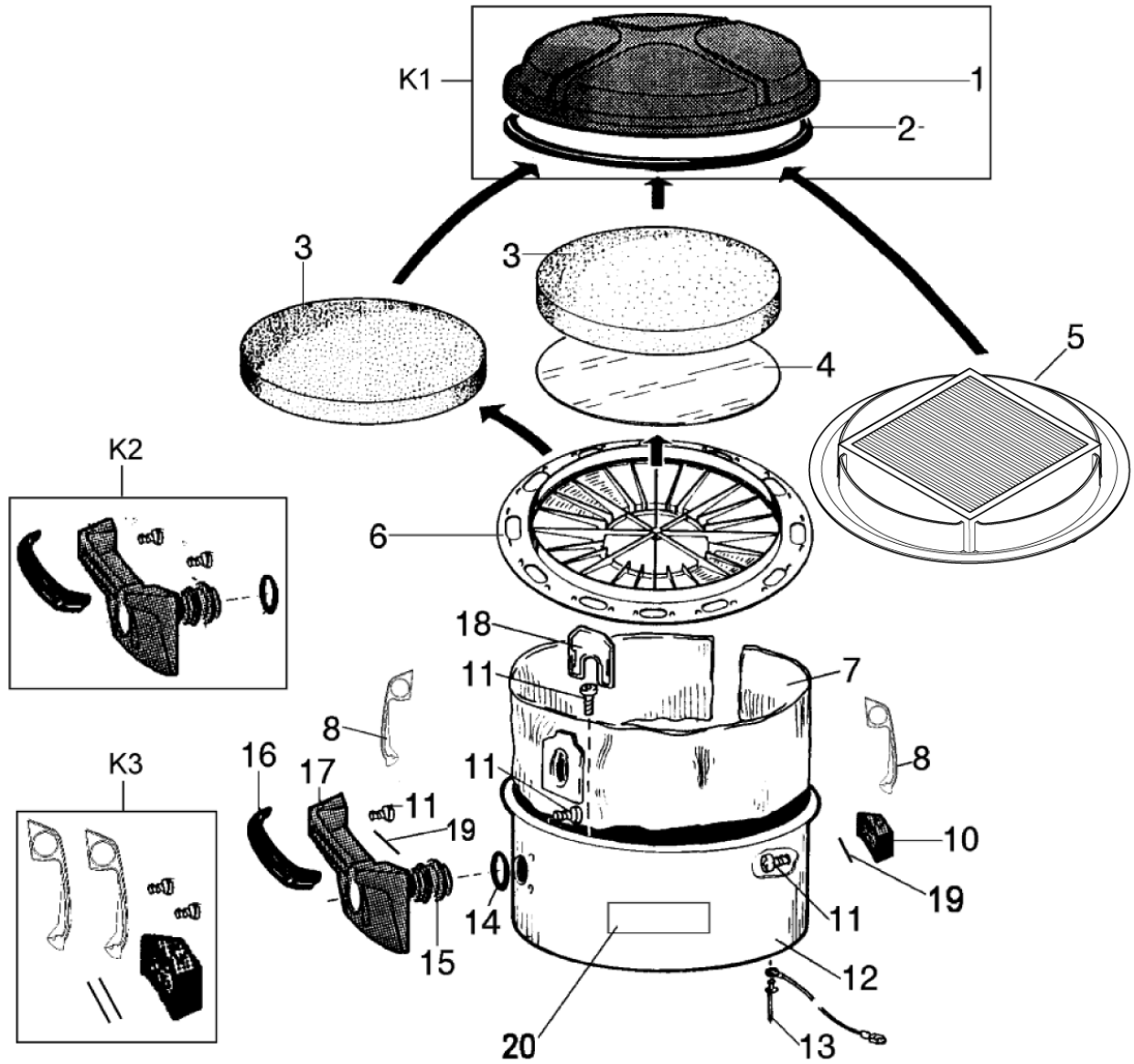
Part Notes:

- [1] - NEUTRAL, FOR PANTHER
NO LONGER AVAILABLE
- [2] - STOCK COVERS GUARANTEE
- [3] - Part of K9
- [4] - US
- [5] - ALTERNATIVE USE KIT 140 7033 500
- [6] - campain modul
- [7] - 120V US/CA
- [8] - Machine outphased 2010
- [9] - PLEASE REFER TO TSB-COM VAC-2020-001

TSB-COM-VAC-2020-001 GD930 - switch ON OFF

DE-TSB-COM-VAC-2020-001 GD930 - Schalter EIN-AUS

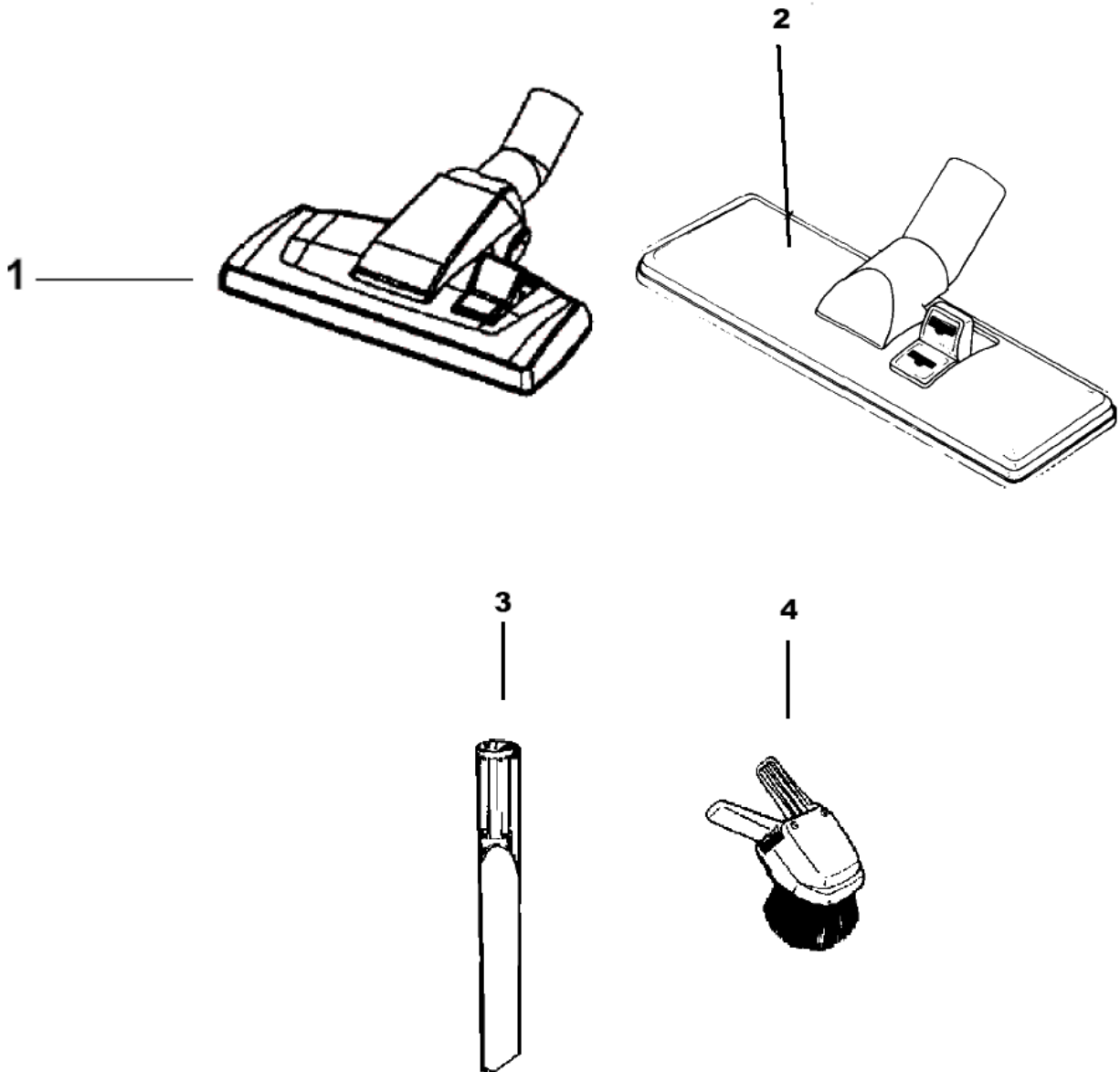
- [10] - UL
- [11] - (UZ934)
- [12] - JP



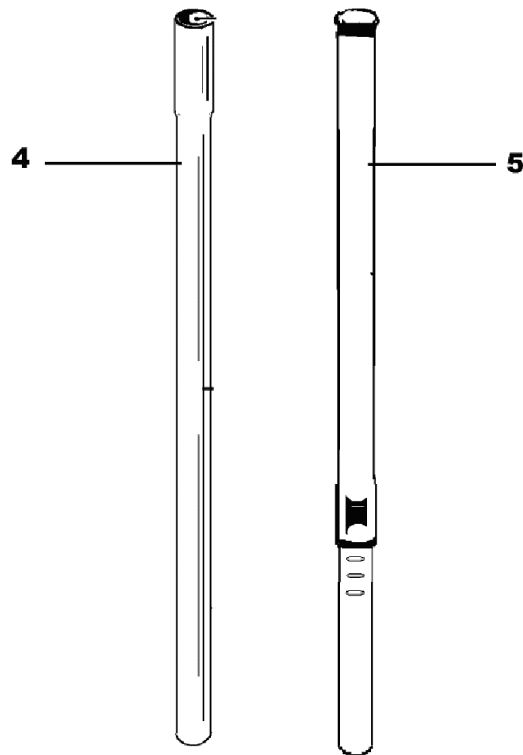
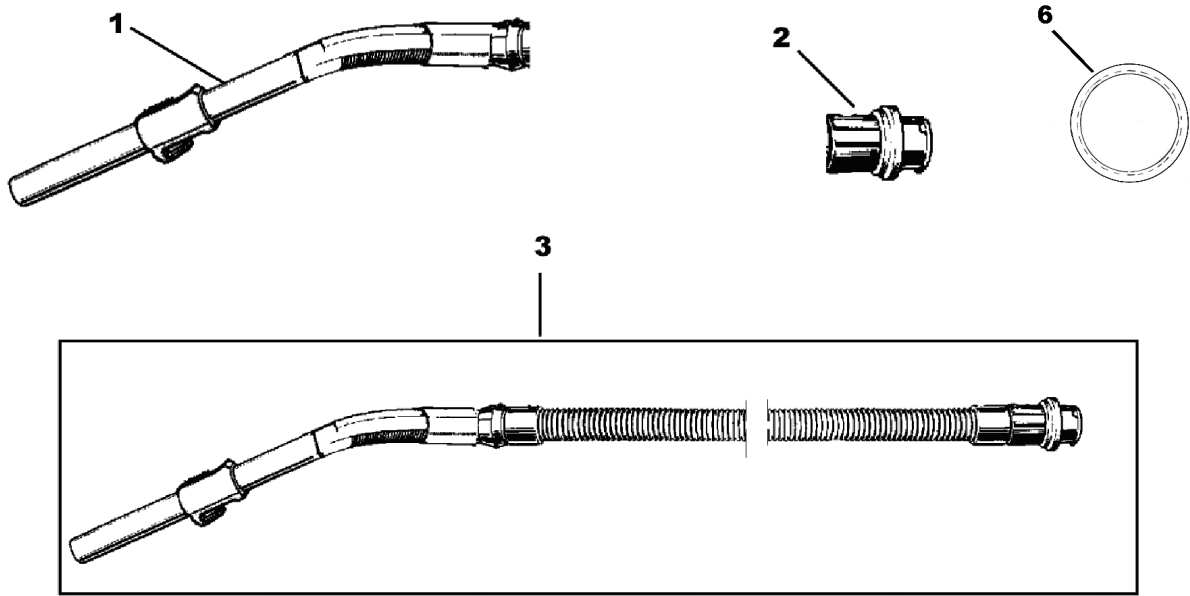
Pos.	Product no	QTY	Description	Notes
1	107408923	1	LID GD930	[1]
1	140 7802 080	1	LID RED	[2]
2	140 0061 030	1	GASKET	
3	140 1515 500	1	FILTER MAIN FOAM GD930	
4	140 3260 500	1	FILTER 5.PCS	
4	140 3260 500	1	FILTER 5.PCS	
5	140 2666 010	1	HEPA FILTER	
6	140 2911 000	1	FILTER CASING	
7	140 7015 020	1	DUST BAG 5-PCS	
7	140 7313 020	1	DUST BAG HIGH FILTRATION 10-PCS	
7	140 7019 500	1	CLOTH DUST BAG 1-P	
7	140 7015 040	1	DUST BAG 10-PCS	
8		1	Part of K3 item 140 7832 500	[3]
10	140 7832 500	1	LATCHES GD 930/S2	
11	140 9214 070	8	SCREW PTK 50X14	
12	140 7020 510	1	CONTAINER CHROMED	
13	140 5694 000	1	RIVET	
14	740 4416 000	1	O-RING 49,5X3 N	[4]
15	140 7013 000	1	INLET	
16		1	Part of K2	[5]
17		1	Part of K2	[5]
18	140 7014 500	1	LOCKING DUSTBAG 3 PCS	
19		1	Part of K3	[6]
20	140 7877 000	1	DECAL NILFISK GD 930	
23	140 9214 040	2	SCREW PTK TORX 40X14 MM FZB	[7]
K1	140 7801 500	1	LID W/FILTER 930-SERIES	
K1	140 7801 510	1	LID WITH HEPA FILTER	
K2	140 7800 500	1	HANDLE GD 930/S2	
K3	140 7832 500	1	LATCHES GD 930/S2	
NI	140 6076 000	1	SIGN	[8]
NI	140 6754 000	1	LABEL	[9]
NI	140 7784 000	1	BOX FOR GD 930	

Part Notes:

- [1] - Black
- [2] - STOCK COVERS GUARANTEE
- [3] - Part of K3 item 140 7832 500
- [4] - TERMINATED NO REPLACEMENT
- [5] - Part of K2
- [6] - Part of K3
- [7] - Incl. in K2
- [8] - Emptying - if this vacuum cleaner is...
- [9] - Warning HEPA filter must be installed...



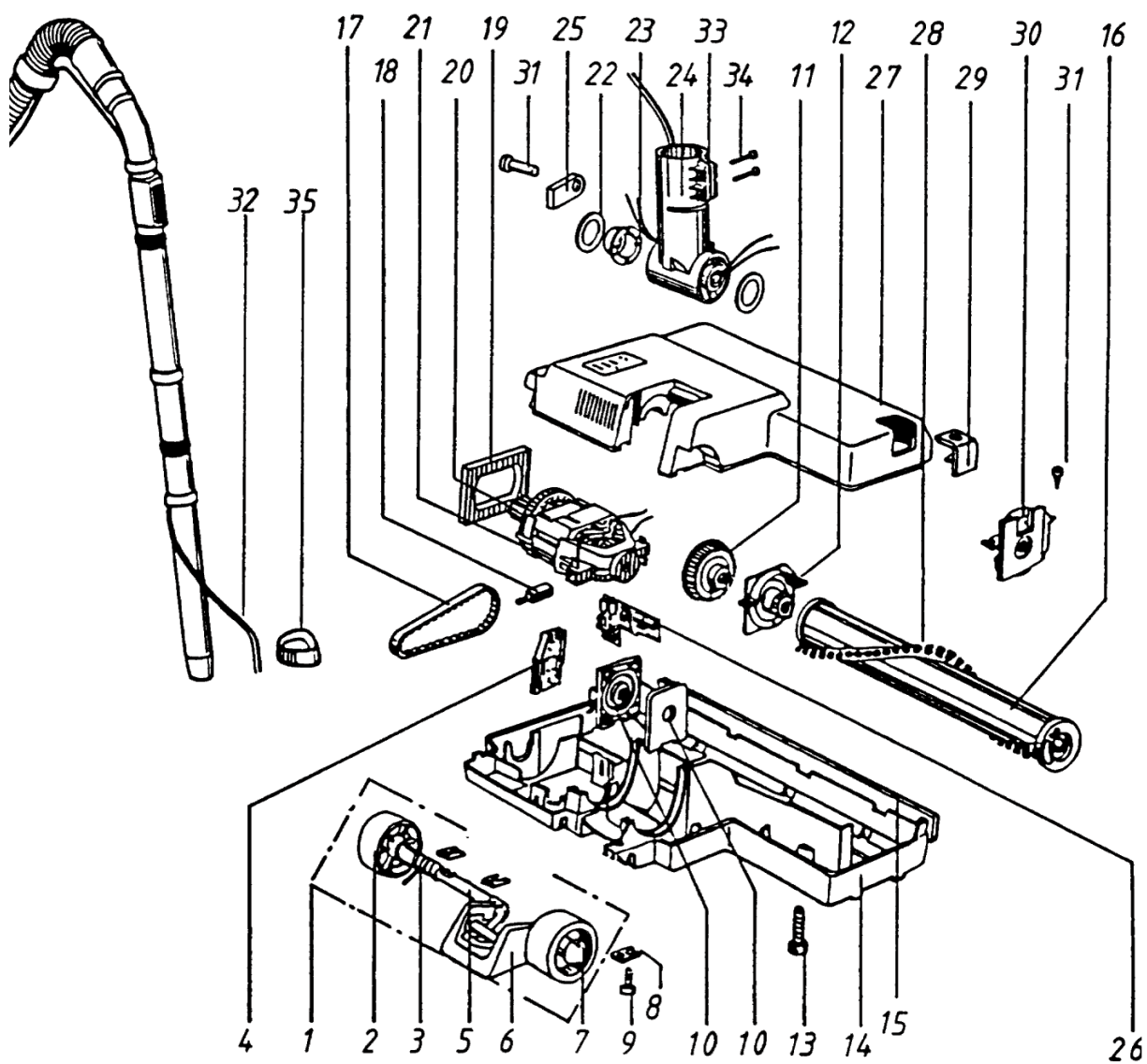
Pos.	Product no	QTY	Description	Notes
01	140 8492 520	1	COMBI NOZZLE RD295 D32	
02		1	Not available	
03	010 3098 500	1	CREVICE NOZZLE	
04	011 3104 500	1	SMALL COMBI NOZZLE	



Pos.	Product no	QTY	Description	Notes
1	140 5116 500	1	HOSE HANDLE ALU/RUBBER DIAM.32	
2	140 3846 500	1	CUFF W.BAYONET COUPL.D32	
3	140 2782 500	1	HOSE ALU.HANDLE D32 1.9 M	
3	140 2782 030	1	HOSE CPL 4M D 32MM	
3A	140 2782 000	1	HOSE CPL. 7.5 M Ø32	[1]
4	011 6431 500	1	EXTENSION TUBE ALUMINIUM	
5	011 8130 500	1	TELESCOPIC TUBE ALUMINIUM	
6	010 9299 540	1	GASKET	

Part Notes:

[1] - Ground



Pos.	Product no	QTY	Description	Notes
00	909 1220 010	1	UZ 984 POWER NOZZLE 230V.	[1]
00	909 1221 010	1	UZ 984 POWER NOZZLE 240V	[2]
01	093 1751 000	1	SHAFT	[1]
02	093 1750 000	2	WHEEL	[3]
03	093 1752 000	1	TENSION SPRING	[4]
04	142 0882 000	1	BEARING PLATE	[1]
05	093 1754 000	1	SHAFT	[5]
06	093 1755 000	1	PEDAL	[1]
07	093 1757 000	2	LOCK WASHER	[6]
08	093 1759 000	3	WASHER	[4]
09	093 1760 000	5	SCREW RXS 3.9 13 Z.PL..	[4]
10	142 0883 000	2	BEARING CPL..	[1]
11	142 0559 000	1	BRUSH ROLLER. PULLEY.	[1]
12	093 1763 000	1	BEARING	[4]
13	093 1764 000	4	SCREW MRX M5X25	[5]
14	093 1765 000	1	CAP.	[1]
15	142 0885 000	1	BUMPER	[1]
16	093 1769 000	1	BRUSH UNIT	[7]
17	093 1781 000	1	BELT 2025.	[6]
18	093 1783 000	2	CARBON BRUSH	[1]
19	093 1782 000	1	INJECTOR	[3]
20	093 1780 000	1	GEAR	[6]
21	093 1806 000	1	BRUSH MOTOR 115V	[5]
21	093 1779 000	1	MOTOR	[3]
21	093 1805 000	1	MOTOR 240V	[1]
22	142 0886 000	2	WASHER	[5]
23	142 0887 000	2	CONDUCTOR BEARING	[5]
24	142 0888 000	1	CONNECTION TUBE	[8]
25	142 0889 000	1	ANTI STRAIN CLIP	[5]
26	142 0890 000	1	EL. CONTROL BOARD 220V	[8]
26	142 0891 000	1	EL. CONTROL BOARD 240V	[1]
26	142 0892 000	1	EL.CONTROL BOARD 110V	[5]
27	142 0893 000	1	TOP.	[1]
28	093 1770 000	1	BRUSH 2045	[9]
29	093 1768 000	1	SUPPORT	[1]
30	093 1767 000	1	BEARING FOR BRUSH	[4]
31	093 1756 000	7	SCREW RXS 3.9 16 Z.PL..	[4]
32	142 0894 000	1	CORD SET FOR UZ 984	[8]
33	093 1786 000	2	SQUARE NUT M4	[1]
34	18274	2	COUNTERSUNK SCREW M4X12	
35	011 3634 000	1	HOSE CLIP	[5]

Part Notes:

- [1] - NO LONGER AVAILABLE
- [2] - PRUNED - NO REPLACEMENT
- [3] - Machine outphased 1998
GUARANTEE DATE EXPIRED
- [4] - Machine outphased 1998
NO LONGER AVAILABLE
- [5] - GUARANTEE DATE EXPIRED
- [6] - Machine outphased 1998
STOCK COVERS GUARANTEE
- [7] - Unit incl strip
STOCK COVERS GUARANTEE
- [8] - STOCK COVERS GUARANTEE
- [9] - Only the strip is supplied
STOCK COVERS GUARANTEE

RECOMMENDED SPARE PARTS

GD 930

2017.11.02

2013.04.02

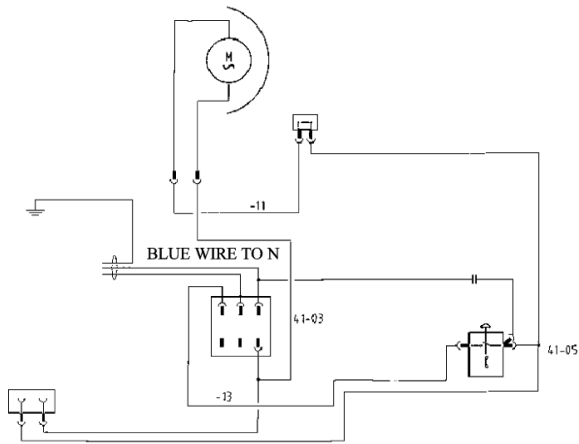
Pos.	Product no	QTY	Description	Notes
01	140 1535 500	1	MOTOR PROTECTION	
01	140 5055 500	1	WHEEL REAR 2-P 930-SERIES	
01	140 6423 530	1	CORD UK L 15M	
01	140 7012 500	1	MOTOR PLATE GD/UZ930/S2	
01	107401390	1	CORD SET CN 15.5M - KIT	[1]
01	140 6423 550	1	CORD US PLUG L 15M	
01	140 7026 510	1	2S CIRCUIT BOARD 110-120V KIT	
01	140 6423 510	1	CORD EU L 10M	
01	140 6423 570	1	CORD JP L 15M	
01	140 7801 500	1	LID W/FILTER 930-SERIES	
01	140 7801 510	1	LID WITH HEPA FILTER	
01	140 7014 500	1	LOCKING DUSTBAG 3 PCS	
01	010 9678 500	1	OUTLET ELECTRICAL 230V	
01	010 9299 540	1	GASKET	
01	140 7902 530	1	FAN UNIT KIT DOMEL 100V	
01	140 7023 500	1	SWITCH SPEED FOR 930S2	
01	140 7665 500	1	OUTLET ELECT.15A 250V	
01	140 6423 520	1	CORD KIT CH L 15M	[2]
01	140 7025 500	1	WHEEL FRONT 1-P	
01	140 7024 500	1	BOARD ANTI STATIC	
01	140 7832 500	1	LATCHES GD 930/S2	
01	140 6423 500	1	CORD EU L 15M	
01	140 7902 500	1	FAN UNIT KIT DOMEL 230V	
01	140 6423 560	1	CORD US L 10M GROUNDED	
01	140 7033 500	1	SWITCH ON/OFF 930-SERIES	[3]
01	140 6423 540	1	CORD UK L 10M	
01	140 7800 500	1	HANDLE GD 930/S2	
01	140 7026 500	1	2S CIRCUIT BOARD 220-240V KIT	
01	140 6423 580	1	CORD AU L 15.5M	
01	140 2782 500	1	HOSE ALU.HANDLE D32 1.9 M	
01	140 7902 520	1	FAN UNIT KIT DOMEL 240V	
01	140 1515 500	1	FILTER MAIN FOAM GD930	
01	140 7019 500	1	CLOTH DUST BAG 1-P	
01	140 7012 510	1	MOTOR PLATE GD 930/S2	
01	140 7902 510	1	FAN UNIT KIT DOMEL 110-120V	

Part Notes:

- [1] - CN ONLY
- [2] - Machine outphased 2010
- [3] - PLEASE REFER TO TSB-COM VAC-2020-001

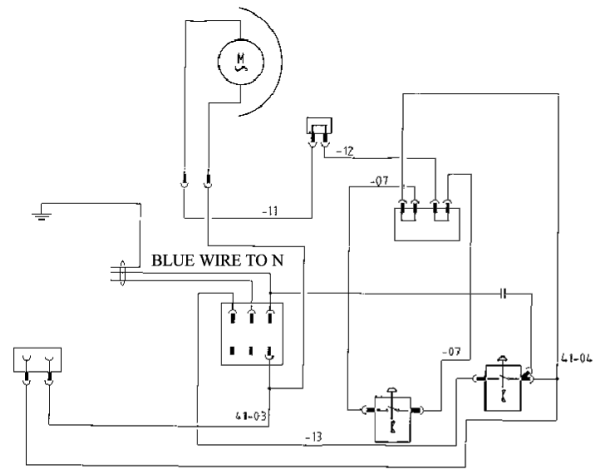
GD 930 GROUNDED VERSION

FOR THE NEW DOMEL
FAN UNITS



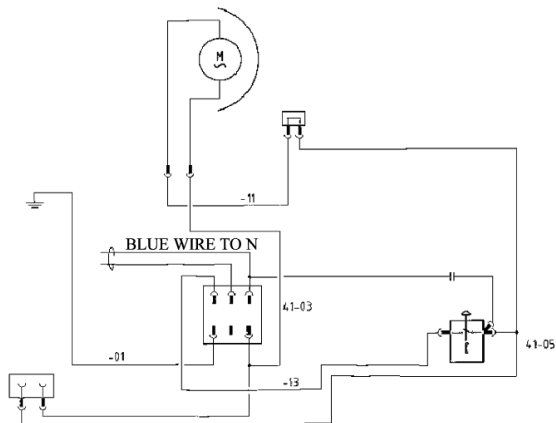
GD 930S2 GROUNDED

FOR THE NEW DOMEL
FAN UNITS



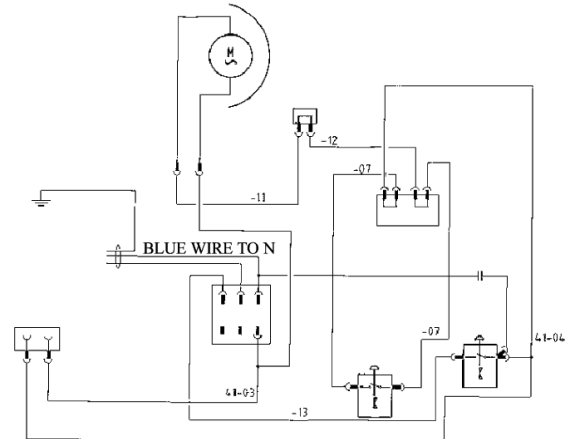
GD 930 DOUBLE INSULATED

FOR THE NEW DOMEL
FAN UNITS



GD 930S2 DOUBLE INSULATED

FOR THE NEW DOMEL
FAN UNITS



Pos.	Product no	QTY	Description	Notes
------	------------	-----	-------------	-------

