

# PARTS LIST

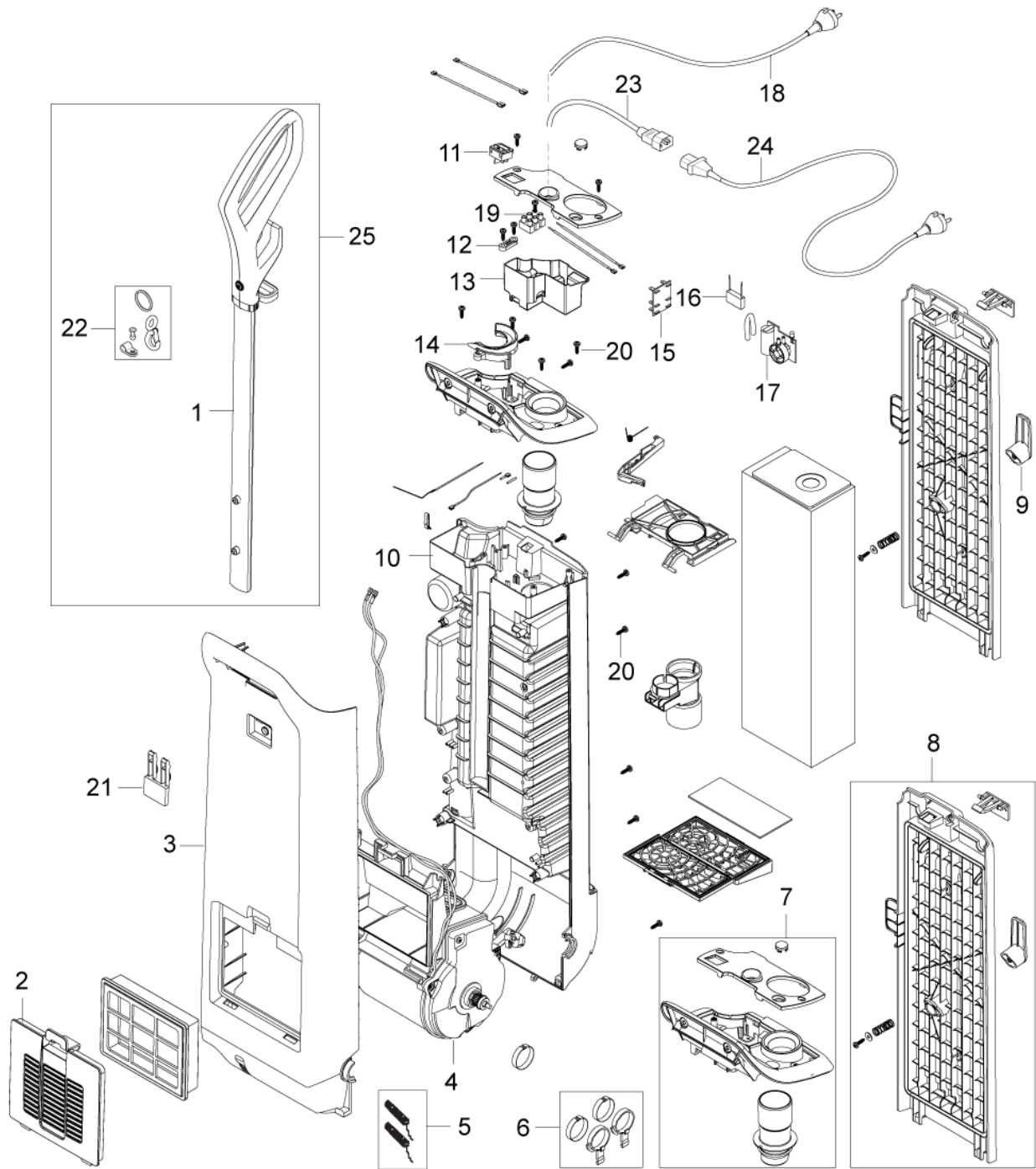


2020.03.19

# TABLE OF CONTENTS

---

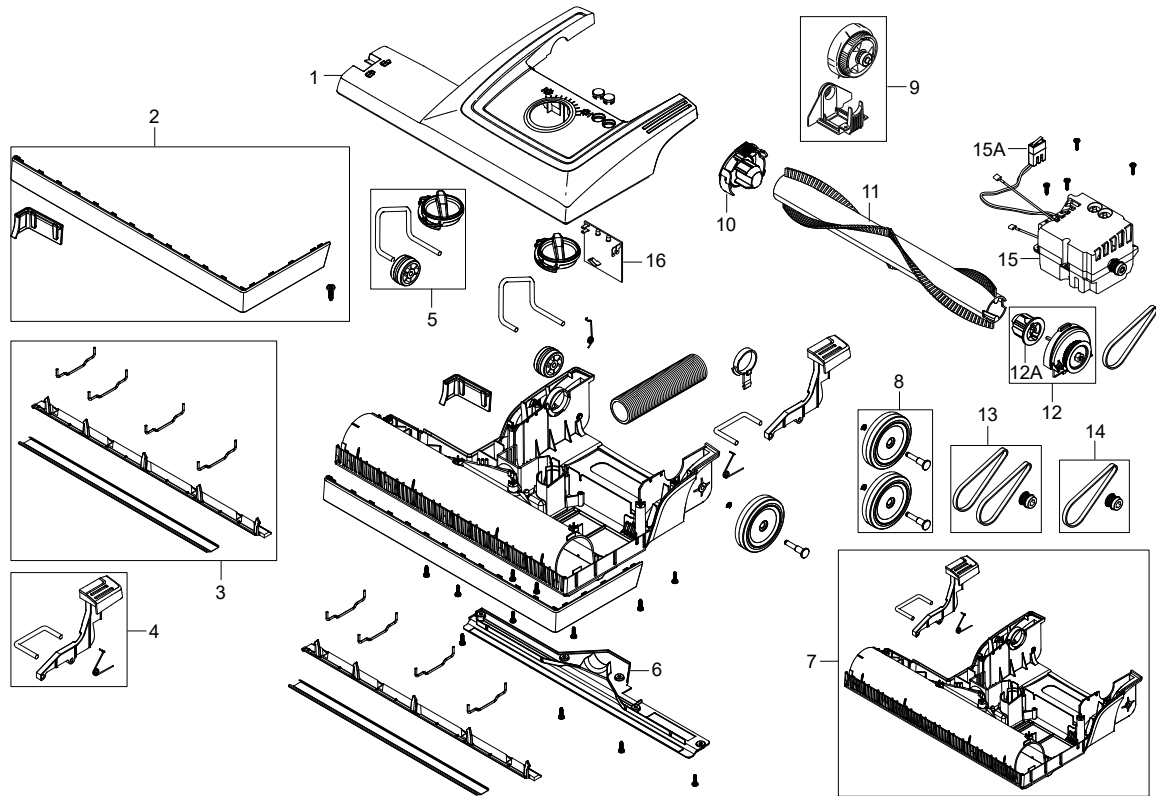
Body .....	1
Base .....	3
Filters .....	5
Nozzles and tube .....	7
RECOMMENDED SPARE PARTS .....	9



Pos.	Product no	QTY	Description	Notes
00	147 0982 000	1	BOX 18 DUM	
00	147 0976 000	1	BOX 15 SMU	
1	147 0833 500	1	HANDLE COMPLETE	
2	147 0965 510	1	COVER EXHAUST FILTER.BLUE	
2	147 0965 500	1	COVER EXHAUST FILTER.GREY	
3	147 0847 510	1	COVER BODY FRONT. BLUE	
3	147 0847 500	1	COVER BODY FRONT. GREY	
4	147 0864 510	1	MOTOR CASSETTE 110-120V	
4	147 0864 520	1	VACUUM MOTOR CASSETTE 100V	
4	147 0864 500	1	MOTOR CASSETTE 220-240V	
4A	147 0994 000	1	COVER MOTOR CASSETTE BK UL	
5	147 1326 500	1	CARBON BRUSH KIT	
6	147 0927 500	1	JOINT BASE TO BODY W RING	
7	147 0842 510	1	COVER TOP KIT. BLUE	
7	147 0842 500	1	COVER TOP KIT. GREY	
8	147 0857 510	1	LID CPL. BLUE	
8	147 0857 500	1	LID CPL. GREY	
9	147 0852 500	1	HOOK FOR CORD	
10	147 0850 510	1	COVER BODY REAR	[1]
10	147 0850 500	1	COVER BODY REAR	[2]
11	140 5496 510	1	SWITCH UL KIT	
12	056 1014 060	1	ANTI-STRAIN CLIP BLACK	
13	147 0843 500	1	ELECTRIC BOX	
14	147 1062 500	1	HOLDER TUBE	
15	140 7024 500	1	BOARD ANTI STATIC	
16	140 8166 010	1	CAPACITOR	
17	147 0987 500	1	BAG FULL DEVICE	
18	12003803	1	CORD SET AU/NZ CPL. L 15M	
18	12003805	1	CORD SET JP CPL. L 15M	
18	12003801	1	CORD SET EU CPL. L 15M	
18	140 3859 640	1	CORD SET US/TW 15M YELLOW	
18	147 0504 510	1	CORD SET CN 15M	
18	12003802	1	CORD SET UK CPL. L 15M	
19	82240100	1	TERMINAL BLOCK UL MATERIAL	
20	140 9214 040	22	SCREW PTK TORX 40X14 MM FZB	
21	107401794	1	MUSTANG BUTTON BLACK	

## Part Notes:

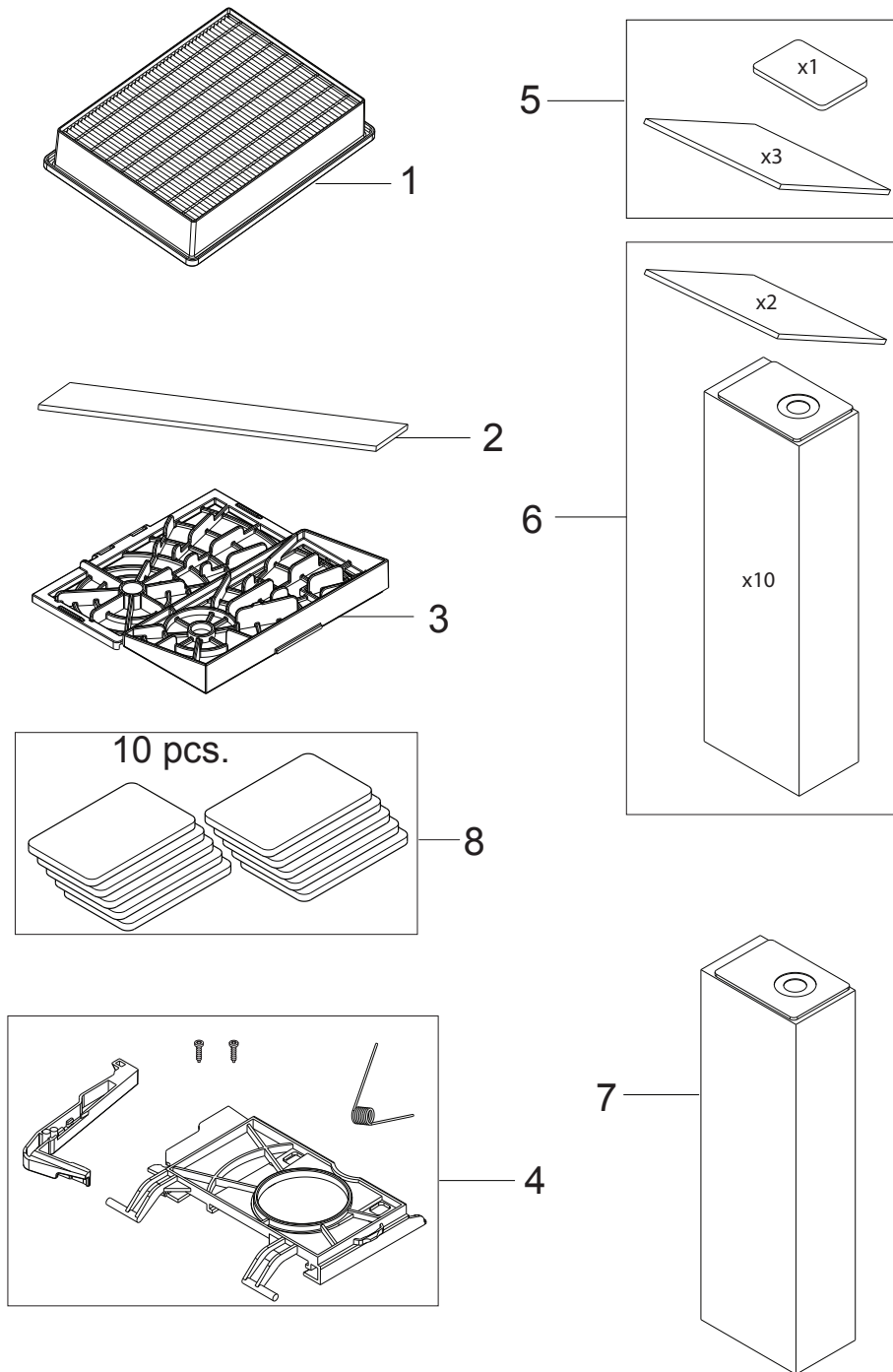
- [1] - BLUE  
[2] - GREY



Pos.	Product no	QTY	Description	Notes
1	147 0925 500	1	COVER BRUSH HOUSE.GREY	[1]
1	147 0925 510	1	COVER BRUSH HOUSE.BLUE	[2]
1	147 0925 610	1	COVER BRUSH HOUSE. BLUE	[3]
1	147 0926 500	1	COVER BRUSH HOUSE. GREY	[4]
1	147 0926 510	1	COVER BRUSH HOUSE BLUE	[5]
1	147 0924 510	1	COVER BRUSH HOUSE. BLUE	[6]
1	147 0924 610	1	COVER BRUSH HOUSE. BLUE	[7]
1	147 0924 500	1	COVER BRUSH HOUSE. GREY	[8]
1	147 0924 600	1	COVER BRUSH HOUSE. GREY	[9]
2	147 0889 500	1	BUMPER KIT 15 INCH/355	
2	147 0892 500	1	BUMPER KIT 18 INCH/455	
2	147 0886 500	1	BUMPER KIT 12 INCH/305	
3	147 0992 500	1	SUPPORT BRUSH KIT 12INCH	[6]
3	147 0992 510	1	SUPPORT BRUSH KIT 15INCH	[2]
3	147 0992 520	1	SUPPORT BRUSH KIT 18INCH	[5]
4	147 0935 500	1	PEDAL W SHAFT AND SPRING	
5	147 0901 500	1	ROLLER KIT	
6	147 0989 500	1	BRUSH SHOE 15/355	
6	147 0990 500	1	BRUSH SHOE 18/455	
6	147 0988 500	1	BRUSH SHOE 12 INCH/305	
7	147 0885 500	1	CHASSIS 12 INCH /305	
7	147 0888 500	1	CHASSIS 15 INCH/355	
7	147 0891 500	1	CHASSIS 18 INCH/455	
8	147 0898 500	1	WHEEL KIT	
9	147 0906 500	1	CLUTCH AND BEARING KIT	
10	147 0944 500	1	COVER	
11	147 0930 500	1	BRUSH 12 INCH/305	
11	147 0930 510	1	BRUSH 15 INCH	
11	147 0930 520	1	BRUSH 18 INCH/455	
12	147 0913 500	1	END CAP BRUSCH LEFT W BEARING	
12A	107419296	1	CONE ADAPTER FOR BRUSH KIT	
13	147 0905 500	1	DRIVE BELT KIT	
14	147 0905 510	1	DRIVE BELT KIT DOUBLE MOTOR	
15	147 0984 500	1	MOTOR CASSETTE 220-240V	
15	147 0984 510	1	MOTOR CASSETTE 100-120V	
15A	147 1170 500	1	MICRO SWITCH KIT	
16	107401946	1	PCB 230V KIT	
16	107401947	1	PCB 120V KIT	

## Part Notes:

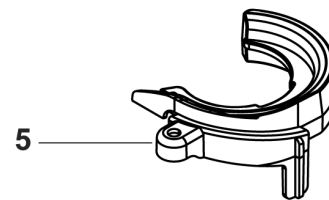
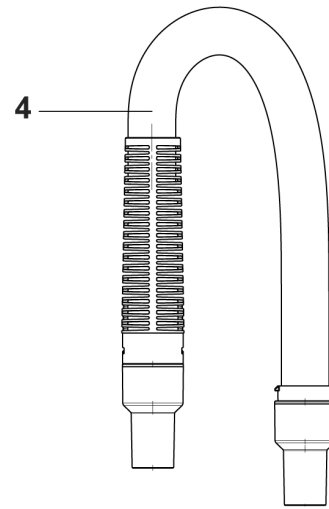
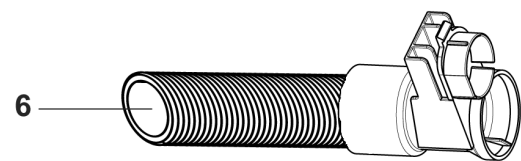
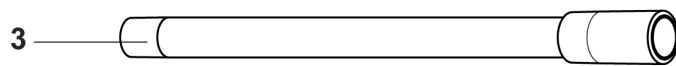
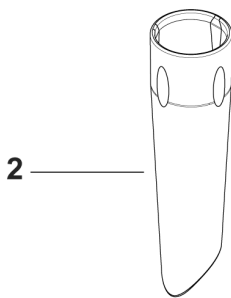
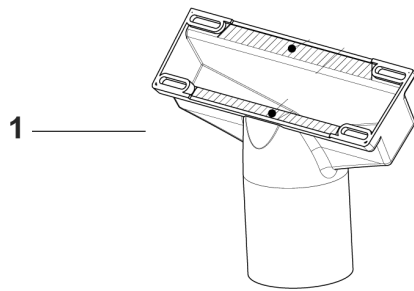
- [1] - 355
- [2] - 15"/355
- [3] - 15"/355 incl. lens
- [4] - 455
- [5] - 18"/455
- [6] - 12"/305
- [7] - 12"/305 incl. lens
- [8] - 305
- [9] - 305 incl. lens



Pos.	Product no	QTY	Description	Notes
1	147 1250 600	1	HEPA FILTER	
2	147 0966 500	1	EXHAUST FILTER	
3	147 0958 500	1	HOLDER PRE FILTER KIT	[1]
4	147 0854 500	1	HOLDER DUST BAG KIT	
5	147 0960 500	1	PRE FILTER	[2]
6	107413584	1	DUST BAG 10PCS FOR GU SERIE	[3]
7	147 1059 500	1	DUST BAG REUSEABLE	
8	107418021	1	AIRFRESHER KIT 10PCS	

## Part Notes:

- [1] - with 1 Prefilter
- [2] - with 1 fragrance chip and 3 Prefilters
- [3] - with 10 bags and 2 Prefilters



---

<b>Pos.</b>	<b>Product no</b>	<b>QTY</b>	<b>Description</b>	<b>Notes</b>
1	147 1205 500	1	UPHOLSTERY NOZZLE D32	
2	147 1203 500	1	CREVICE NOZZLE D35	
3	147 0851 500	1	EXTENSION TUBE 35MM	
4	147 0950 500	1	HOSE STRETCHABLE	
5	147 1062 500	1	HOLDER TUBE	
6	147 0919 500	1	ADAPTER BASE TO TUBE W.HOSE	



# RECOMMENDED SPARE PARTS

GU 355

2017.11.02

2015.11.13

Pos.	Product no	QTY	Description	Notes
00	147 0930 500	1	BRUSH 12 INCH/305	
00	147 0992 500	1	SUPPORT BRUSH KIT 12INCH	
00	147 0898 500	1	WHEEL KIT	
00	147 0905 500	1	DRIVE BELT KIT	
00	147 0966 500	1	EXHAUST FILTER	
00	147 0984 500	1	MOTOR CASSETTE 220-240V	
00	147 0864 510	1	MOTOR CASSETTE 110-120V	
00	147 0864 520	1	VACUUM MOTOR CASSETTE 100V	
00	140 8166 010	1	CAPACITOR	
00	147 0930 510	1	BRUSH 15 INCH	
00	147 0930 520	1	BRUSH 18 INCH/455	
00	147 0833 500	1	HANDLE COMPLETE	
00	147 0992 520	1	SUPPORT BRUSH KIT 18INCH	
00	147 0992 510	1	SUPPORT BRUSH KIT 15INCH	
00	12003801	1	CORD SET EU CPL. L 15M	
00	12003803	1	CORD SET AU/NZ CPL. L 15M	
00	12003805	1	CORD SET JP CPL. L 15M	
00	147 0504 510	1	CORD SET CN 15M	
00	12003802	1	CORD SET UK CPL. L 15M	
00	140 3859 640	1	CORD SET US/TW 15M YELLOW	
00	107401946	1	PCB 230V KIT	
00	107401947	1	PCB 120V KIT	
00	140 5496 510	1	SWITCH UL KIT	
00	147 0913 500	1	END CAP BRUSCH LEFT W BEARING	
00	147 0987 500	1	BAG FULL DEVICE	
00	147 0905 510	1	DRIVE BELT KIT DOUBLE MOTOR	
00	140 7024 500	1	BOARD ANTI STATIC	
00	147 0944 500	1	COVER	
00	147 0935 500	1	PEDAL W SHAFT AND SPRING	
00	147 0984 510	1	MOTOR CASSETTE 100-120V	
00	147 0864 500	1	MOTOR CASSETTE 220-240V	
00	147 0960 500	1	PRE FILTER	

