

PARTS LIST



2023.12.11

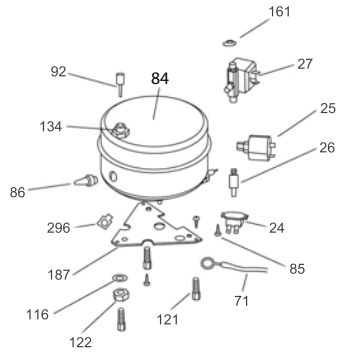
NILFISK

TABLE OF CONTENTS

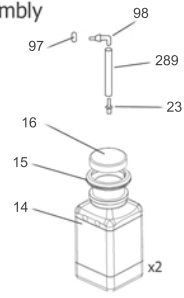
SDV4500 (1).....	1
SDV4500 (2).....	4
SDV8000 (1).....	6
SDV8000 (2).....	9
SDV8000 (3).....	12
Single parts (1).....	15
Single parts (2).....	17
Single parts (3).....	19
Accessories 1.....	21
Accessories 2.....	23
Brush and Clip - COLOUR-CODING EXTRAS.....	25

SDV4500

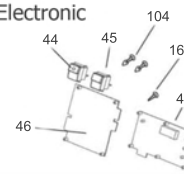
Boiler Assembly



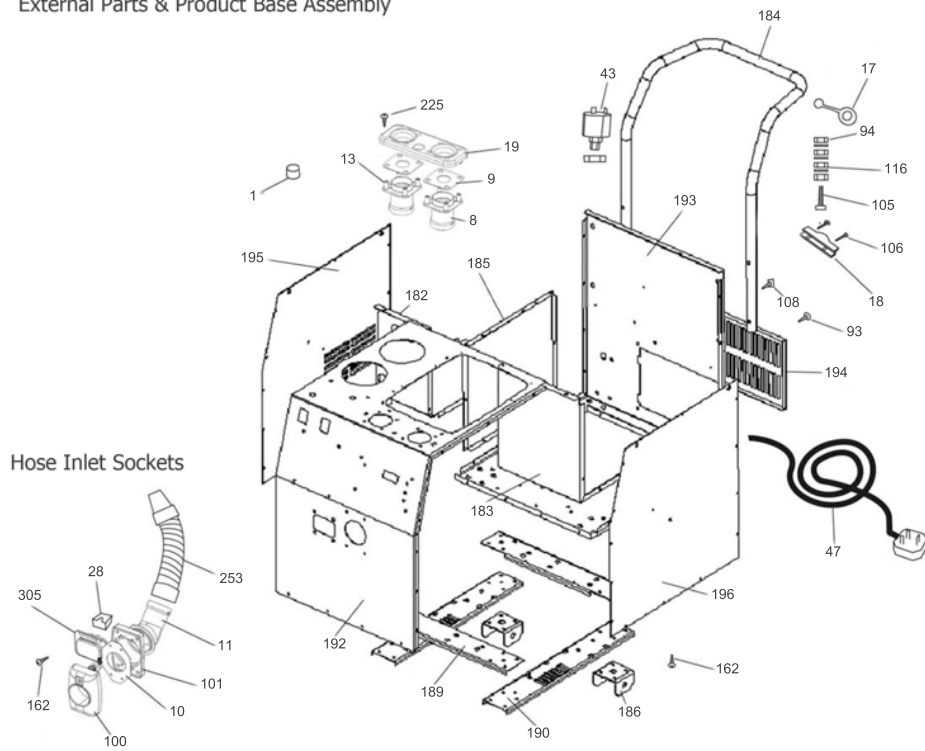
Bottle Assembly



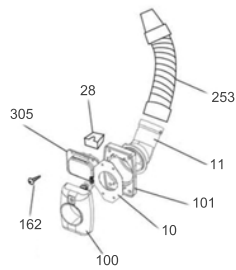
Switches & Electronic



External Parts & Product Base Assembly



Hose Inlet Sockets



Pos.	Product no	QTY	Description	Notes
01	31000201	1	1/4 INCH SPINDLE CONTROL KNOB	
08		1	Hose adaptor grill	[1]
09	31000356	1	HOSE ADAPTOR SEAL	
10	31000357	1	SEAL SUCTION SOCKET 2846	[2]
11	31000358	1	SOCKEL ADAPTOR	[3]
13		1	Hose adaptor no grill	[4]
14	31000202	1	2.5L BOTTLE	
15		1	Bottle gasket	[5]
16	31000203	1	BLACK BOTTLE CAP	
17	31000204	1	HEYCO BUSH 01/11920/0	[3]
18	31000360	1	CORD CLAMP INT STR/RELIEF 01/22647/0	[3]
19		1	Adaptor clamp	[6]
23	31000206	1	CLEAN FILTER TRIO	
24	31000207	1	THERMAL CUT-OUT AND T-STAT 180/260	[2]
25	31000208	1	PRESSURE SWITCH	
26	31000209	1	RELEASE VALVE 11300 5/6 1/8BAR	
27	31000210	1	SOLENOID VALVE	
28	31000361	1	ILME FEMALE POWER SUPPLY	
43	31000214	1	AC LINE FILTER W/NUT AND WASHER	
44	31000215	1	MAINS ON/OFF SWITCH W. LIGHT	
45	31000216	1	HANDLE CONTROL SWITCH	[3]
46	31000217	1	MAIN PCB POWER BOARD 4 BAR	
47	31001330	1	240V EU SCHUKO MAINS CORD 10M	
47	31000218	1	CORD 3W 10M H05V2V2-F 1.5MM2 UK	[3]
48	31000219	1	DISPLAY BOARD PCB W/RIBBON	
71	31000383	1	LOOM 31 EARTH WIRE	
84	31000228	1	BOILER 1950W ELEMENT	
85	31000394	1	SCREW M4 X 6 PAN POZI TAPTITE	
86	31000395	1	HOSE CONNECTOR 1/8 INCH	[2]
92	31000230	1	WHITE DIPPER	[7]
93	31000399	1	SCREW M4 X 25 PAN POZI	
94	31000400	1	NUT M5 HEX PRESSES BRASS 3MM	
97	31000401	1	BOTTLE SEAL NUT	[3]
98	31000402	1	SPIGOT BOTTLE SEAL	
100	31000403	1	SUCTION SOCKET ASSY	
101	31000404	1	GASKET	[2]
104	31000407	1	SPACERS FOR MAIN BOARD M4	
105		1	Screw M5x25	[8]
106		1	Screw no.8x1	[9]
108	31000233	1	PLASTIC HANDLE WINGNUT 34723	
116		1	Proof washer M5	[10]
121	31000409	1	BOLT M5 FOR BOILER	
122	31000410	1	NUT M5 FOR BOILER	
134		1	Adaptor 1/2" to 3/8"	[11]
161	31000245	1	LEMON CLIP - 2 EARED CLAMP	
162	31000246	1	S/S M4 X 10MM ALLEN HEAD BOLTS	[2]
182		1	Bottle shelf	[12]
183		1	Tank shelf	[13]
184	31000254	1	TURBULAR HANDLE	
185		1	Middle plate	[14]
186		1	Wheel bracket, included in kit 31000999	[15]
187	31000418	1	BOILER BRACKET 4 BAR BOILER	[3]
189		1	Frame support front/back	[16]
190		1	Frame support Left/right	[17]
192		1	Front cover	[18]
193		1	Back panel	[19]
194	31000419	1	FILTER DOOR STAINLESS STEEL	
195		1	Side plate Left	[20]
196		1	Side plate right	[21]

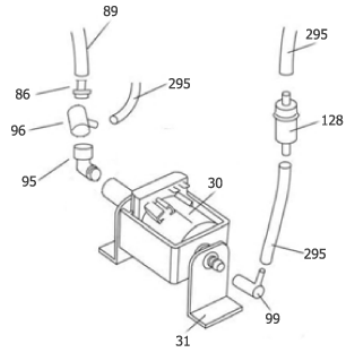
Pos.	Product no	QTY	Description	Notes
225		1	Screw 8x5/8"	[22]
253	31000420	1	32MM HOSE X 160MM WITH CUFF	[2]
289	31000434	1	TUBE 185MM GREEN	
296		1	Earth spade	[23]
304	31000263	1	MATRIX STEAM AND VACUUM ACC KIT	[24]
305	31000264	1	FRONT SOCKET ASSY	[2]

Part Notes:

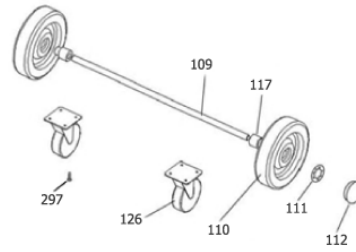
- [1] - Hose adaptor grill
- [2] - STOCK COVERS GUARANTEE
- [3] - NO LONGER AVAILABLE
- [4] - Hose adaptor no grill
- [5] - Bottle gasket
- [6] - Adaptor clamp
- [7] - ALTERNATIVE USE 31000244
- [8] - Screw M5x25
- [9] - Screw no.8x1
- [10] - Proof washer M5
- [11] - Adaptor 1/2" to 3/8"
- [12] - Bottle shelf
- [13] - Tank shelf
- [14] - Middle plate
- [15] - Wheel bracket, included in kit 31000999
- [16] - Frame support front/back
- [17] - Frame support Left/right
- [18] - Front cover
- [19] - Back panel
- [20] - Side plate Left
- [21] - Side plate right
- [22] - Screw 8x5/8"
- [23] - Earth spade
- [24] - O-ring kit for front socket and extension tubes

SDV4500

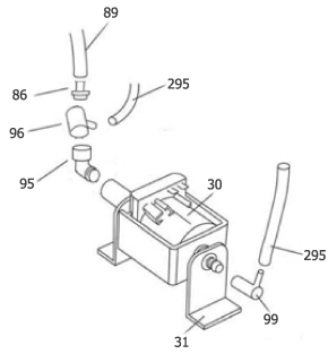
Auto Fill Pump



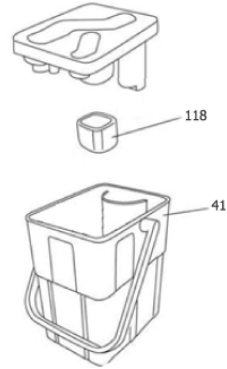
Wheel Assembly



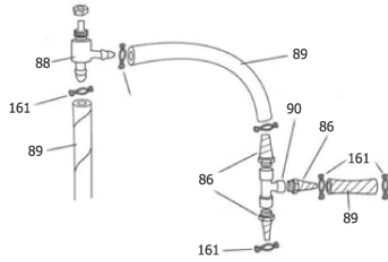
Detergent Pump



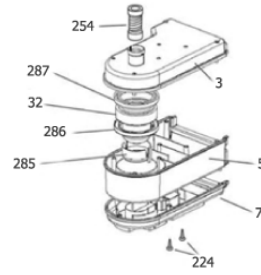
Water Filter Assembly



Varisteam Assembly



Motor Assembly



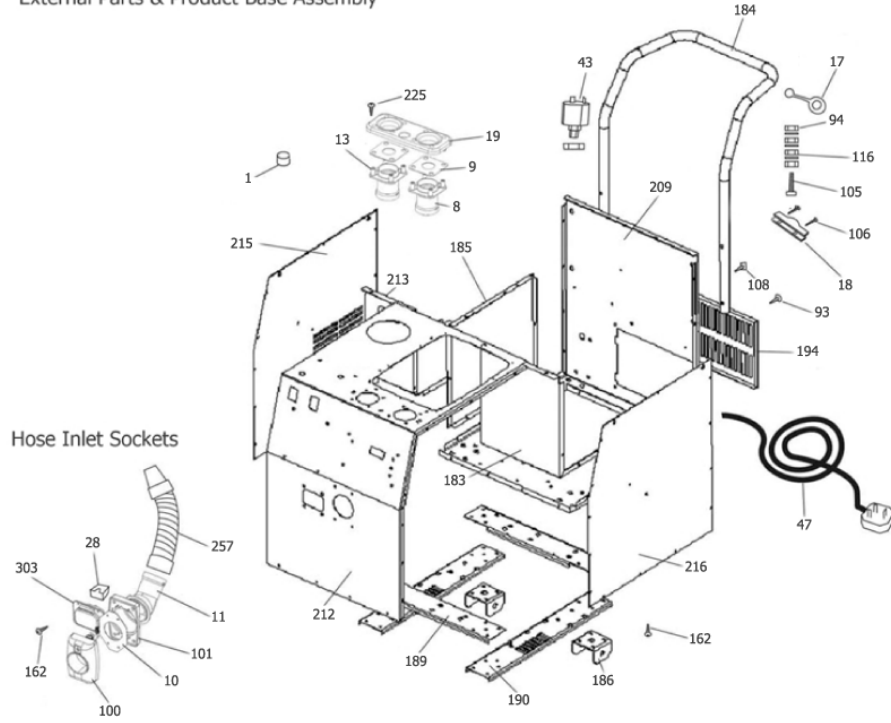
Pos.	Product no	QTY	Description	Notes
00	31000999	1	BACK WHEEL ASSEMBLY	[1]
03		1	Motor cover	[2]
05		1	Motor housing	[3]
07		1	Motor base	[4]
30	31000211	1	PUMP EX5 W/BRASS	
31	31000363	1	RUBBER MOUNTING AUTOFILL PUMP	
32	31000212	1	MOTOR 850W	
41	31000213	1	WATER FILTRATION ASSY	
86	31000395	1	HOSE CONNECTOR 1/8 INCH	[5]
88	31000229	1	VARI STEAM VALVE	
89	31000397	1	BRAIDED EPDM TUBE 5MM ID 10MM OD X 1M	
90		1	T-piece 1/8	[6]
95		1	Elbow 1/8"	[7]
96	31000231	1	DEARAETOR DEA500 BRASS	
99	31000232	1	INLET RUBBER ELBOW	
109		1	Axle bar, included in kit 31000999	[8]
110		1	Wheel W150-PA.PU, included in kit 31000999	[9]
111		1	Star washer, included in kit 31000999	[10]
112		1	Starlock, included in kit 31000999	[11]
117		1	Wheel bushing, included in kit 31000999	[12]
118	31000234	1	FILTER SOCK	
126	31000235	1	CASTOR WITH BRAKE	
128	31000236	1	INLINE WATER FILTER	
161	31000245	1	LEMON CLIP - 2 EARED CLAMP	
224		1	Screw 10x3/4"	[13]
254	31000421	1	32MM HOSE X 205MM WITH CUFF	
285		1	Top motor gasket	[14]
286	31000432	1	MIDDLE MOTOR GASKET	
287	31000433	1	BOTTOM MOTOR GASKET	
295	31000259	1	TUBE RELIEF 1 MTR	
297		1	Screw M6 hex. flange x20mm	[15]

Part Notes:

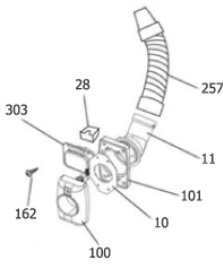
- [1] - Contains position 109-112 117
- [2] - Motor cover
- [3] - Motor housing
- [4] - Motor base
- [5] - STOCK COVERS GUARANTEE
- [6] - T-piece 1/8
- [7] - Elbow 1/8"
- [8] - Axle bar, included in kit 31000999
- [9] - Wheel W150-PA.PU, included in kit 31000999
- [10] - Star washer, included in kit 31000999
- [11] - Starlock, included in kit 31000999
- [12] - Wheel bushing, included in kit 31000999
- [13] - Screw 10x3/4"
- [14] - Top motor gasket
- [15] - Screw M6 hex. flange x20mm

SDV8000

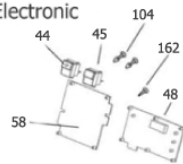
External Parts & Product Base Assembly



Hose Inlet Sockets



Switches & Electronic



Pos.	Product no	QTY	Description	Notes
01	31000201	1	1/4 INCH SPINDLE CONTROL KNOB	
08		1	Hose adaptor grill	[1]
09	31000356	1	HOSE ADAPTOR SEAL	
10	31000357	1	SEAL SUCTION SOCKET 2846	[2]
11	31000358	1	SOCKEL ADAPTOR	[3]
13		1	Hose adaptor no grill	[4]
17	31000204	1	HEYCO BUSH 01/11920/0	[3]
18	31000360	1	CORD CLAMP INT STR/RELIEF 01/22647/0	[3]
28	31000361	1	ILME FEMALE POWER SUPPLY	
19		1	Adaptor clamp	[5]
43	31000214	1	AC LINE FILTER W/NUT AND WASHER	
44	31000215	1	MAINS ON/OFF SWITCH W. LIGHT	
45	31000216	1	HANDLE CONTROL SWITCH	[3]
47	31001330	1	240V EU SCHUKO MAINS CORD 10M	
47	31000218	1	CORD 3W 10M H05V2V2-F 1.5MM2 UK	[3]
48	31000219	1	DISPLAY BOARD PCB W/RIBBON	
58	31000222	1	MAIN PCB POWER BOARD 8 BAR	
93	31000399	1	SCREW M4 X 25 PAN POZI	
94	31000400	1	NUT M5 HEX PRESSES BRASS 3MM	
100	31000403	1	SUCTION SOCKET ASSY	
101	31000404	1	GASKET	[2]
104	31000407	1	SPACERS FOR MAIN BOARD M4	
105		1	Screw M5x25	[6]
106		1	Screw no 8x1	[7]
108	31000233	1	PLASTIC HANDLE WINGNUT 34723	
116		1	Proof washer M5	[8]
162	31000246	1	S/S M4 X 10MM ALLEN HEAD BOLTS	[2]
183		1	Tank shelf	[9]
184	31000254	1	TURBULAR HANDLE	
185		1	Middle plate	[10]
186		1	Wheel bracket, included in kit 31000999	[11]
189		1	Frame support front/back	[12]
190		1	Frame support left/right	[13]
194	31000419	1	FILTER DOOR STAINLESS STEEL	
209		1	Back	[14]
212		1	Front	[15]
213		1	Bottle shelf	[16]
215		1	Side plate left	[17]
216		1	Side plate right	[18]
225		1	Screw 8x5/8"	[19]
257	31000424	1	32MM HOSE X 780MM WITH CUFF	
303	31000262	1	FRONT SOCKET ASSY	
304	31000263	1	MATRIX STEAM AND VACUUM ACC KIT	[20]

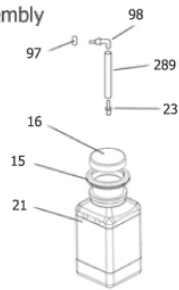
Part Notes:

- [1] - Hose adaptor grill
- [2] - STOCK COVERS GUARANTEE
- [3] - NO LONGER AVAILABLE
- [4] - Hose adaptor no grill
- [5] - Adaptor clamp
- [6] - Screw M5x25
- [7] - Screw no 8x1
- [8] - Proof washer M5
- [9] - Tank shelf
- [10] - Middle plate
- [11] - Wheel bracket, included in kit 31000999
- [12] - Frame support front/back
- [13] - Frame support left/right
- [14] - Back

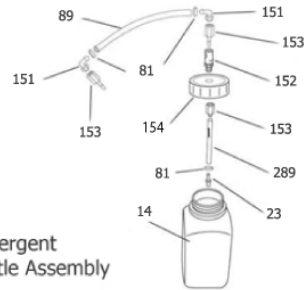
- [15] - Front
- [16] - Bottle shelf
- [17] - Side plate Left
- [18] - Side plate right
- [19] - Screw 8x5/8"
- [20] - O-ring kit for front socket and extension tubes

SDV8000

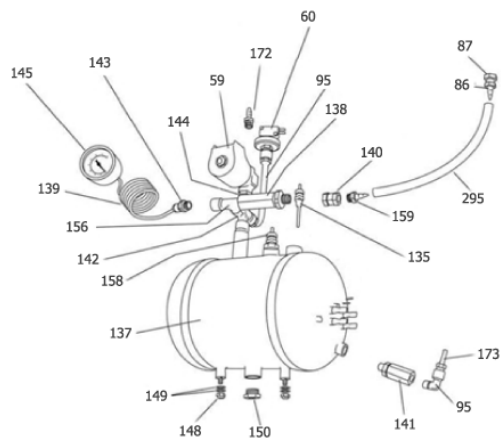
Bottle Assembly



Detergent Bottle Assembly



Boiler Assembly



Pos.	Product no	QTY	Description	Notes
14	31000202	1	2.5L BOTTLE	
15	31000509	1	BOTTLE GASKET Ø105	[1]
16	31000203	1	BLACK BOTTLE CAP	
21	31000205	1	5 LITRE BOTTLE 310-71144	
23	31000531	1	CLEAN FILTER TRIO	
59	31000223	1	SOLENOID VALVE	
60	31000224	1	PRESSURE SWITCH XP111	
81		1	Wire tie 100mm natural	[2]
86	31000395	1	HOSE CONNECTOR 1/8 INCH	[3]
87	31000396	1	IDLE RING NUT 1/8 INCH	
89	31000397	1	BRAIDED EPDM TUBE 5MM ID 10MM OD X 1M	
97	31000401	1	BOTTLE SEAL NUT	[4]
95		1	Elbow 1/8"	[5]
98	31000402	1	SPIGOT BOTTLE SEAL	
135	31000237	1	BLUE DIPPER	
136	31000238	1	CAPILARY THERMOSTAT	
137	31000239	1	BOILER 3000W	
138	31000240	1	P/RELEASE VALVE 11BAR 551/C	
139	31000241	1	CAPILLARY PRESSURE GAUGE COPPER COIL	
140		1	Manifold 1/4"	[6]
141	31000242	1	NON RETURN VALVE 503-1/8	
142		1	Cross piece 1/4"	[7]
143		1	Adaptor 1/4" - 1/8"	[8]
144		1	Conical extension 1/4"	[9]
145	31000243	1	PRESSURE GAUGE	
148		1	Locknut M6	[10]
149		1	Washer M6 25mm	[11]
150	31000413	1	PLUG 3/8 INCH	
151, 153	31001335	1	QUICK RELEASE PLUG	[12]
151	31000468	1	1/4 INCH BRAIDED ELBOW	[13]
152	31001333	1	QUICK RELEASE SOCKET	[14]
153	31001335	1	QUICK RELEASE PLUG	[15]
154	31000528	1	BLACK BOTTLE CAP	
156		1	T-piece 1/4"	[16]
158	31000244	1	RED DIPPER	
159		1	Hose tail 1/4" 6mm	[17]
172		1	Male coupling 1/4" 6mm	[18]
173		1	Male coupling 1/8" 6mm	[19]
289	31000529	1	TUBE 185MM GREEN	
295	31000259	1	TUBE RELIEF 1 MTR	

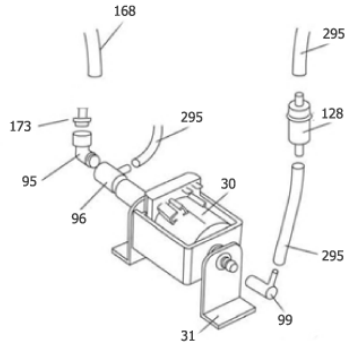
Part Notes:

- [1] - Bottle gasket
- [2] - Wire tie 100mm natural
- [3] - STOCK COVERS GUARANTEE
- [4] - NO LONGER AVAILABLE
- [5] - Elbow 1/8"
- [6] - Manifold 1/4"
- [7] - Cross piece 1/4"
- [8] - Adaptor 1/4" - 1/8"
- [9] - Conical extension 1/4"
- [10] - Locknut M6
- [11] - Washer M6 25mm
- [12] - To be used instead of pos. 151 and 153
- [13] - Elbow 1/4" braided
NO LONGER AVAILABLE
- [14] - Male quick coupling socket
- [15] - Female quick coupling plug
- [16] - T-piece 1/4"

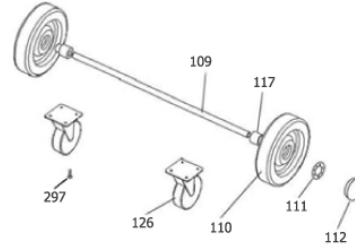
- [17] - Hose tail 1/4" 6mm
- [18] - Male coupling 1/4" 6mm
- [19] - Male coupling 1/8" 6mm

SDV8000

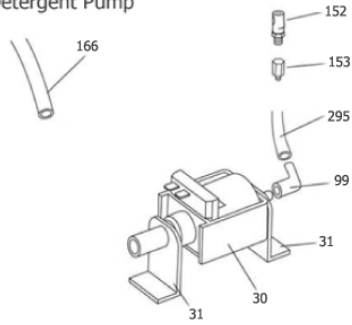
Auto Fill Pump



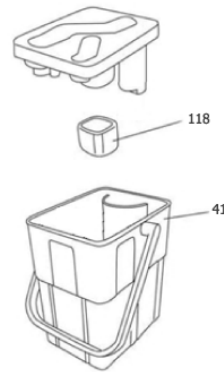
Wheel Assembly



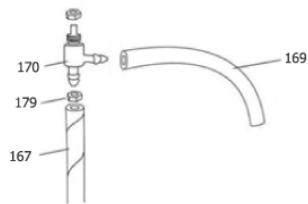
Detergent Pump



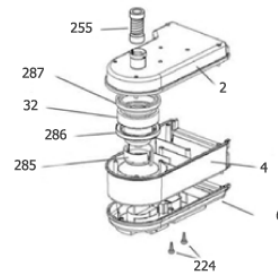
Water Filter Assembly



Varisteam Assembly



Motor Assembly



Pos.	Product no	QTY	Description	Notes
00	31000999	1	BACK WHEEL ASSEMBLY	[1]
NS	31000258	1	FILTER DISK 245MM x 170MM	
02		1	Motor cover	[2]
04		1	Motor housing	[3]
06		1	Motor base	[4]
30	31000211	1	PUMP EX5 W/BRASS	
30A	31000225	1	PUMP RELAY 240V 1POLE 2THROW	
31	31000363	1	RUBBER MOUNTING AUTOFILL PUMP	
32	31000212	1	MOTOR 850W	
41	31000213	1	WATER FILTRATION ASSY	
95		1	Elbow 1/8"	[5]
96	31000231	1	DEARATOR DEA500 BRASS	
99	31000232	1	INLET RUBBER ELBOW	
109		1	Axle bar, included in kit 31000999	[6]
110		1	Wheel W150-PA-P, included in kit 31000999	[7]
111		1	Star washer, included in kit 31000999	[8]
112		1	Starlock, included in kit 31000999	[9]
117		1	Wheel bushing, included in kit 31000999	[10]
118	31000234	1	FILTER SOCK	
126	31000235	1	CASTOR WITH BRAKE	
128	31000236	1	INLINE WATER FILTER	
152		1	Male quick coupling sockeet	[11]
153		1	Female quick coupling 1/4" plug	[12]
166		1	Tee/Detergent pump copper pipe	[13]
167		1	Solenoid/varisteam copper pipe	[14]
168		1	Autofill/boiler copper pipe	[15]
169		1	Varisteam/tee copper pipe	[16]
170	31000248	1	VARISTREAM VALVE	
173		1	Male coupling 1/8" 6mm	[17]
179	31000417	1	1.3MM PLUMBING RESTRICTION	
224		1	Screw 10*3/4"	[18]
255	31000422	1	32MM HOSE X 260MM WITH CUFF	
285		1	Top motor gasket	[19]
286		1	Middle motor gasket	[20]
287		1	Bottom motor gasket	[21]
295	31000259	1	TUBE RELIEF 1 MTR	
297		1	Screw M6 hex. flange x20mm	[22]

Part Notes:

- [1] - Contains position 109-112 117
- [2] - Motor cover
- [3] - Motor housing
- [4] - Motor base
- [5] - Elbow 1/8"
- [6] - Axle bar, included in kit 31000999
- [7] - Wheel W150-PA-P, included in kit 31000999
- [8] - Star washer, included in kit 31000999
- [9] - Starlock, included in kit 31000999
- [10] - Wheel bushing, included in kit 31000999
- [11] - Male quick coupling sockeet
- [12] - Female quick coupling 1/4" plug
- [13] - Tee/Detergent pump copper pipe
- [14] - Solenoid/varisteam copper pipe
- [15] - Autofill/boiler copper pipe
- [16] - Varisteam/tee copper pipe
- [17] - Male coupling 1/8" 6mm
- [18] - Screw 10*3/4"
- [19] - Top motor gasket
- [20] - Middle motor gasket

- [21] - Bottom motor gasket
- [22] - Screw M6 hex. flange x20mm



1



7



13



19



2



8



14



20



3



9



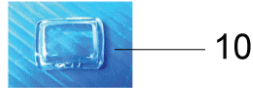
15



21



4



10



16



22



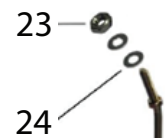
5



11



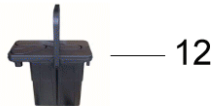
17



23



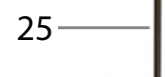
6



12



18



24

25

Pos.	Product no	QTY	Description	Notes
1	31000201	1	1/4 INCH SPINDLE CONTROL KNOB	
2	31000356	1	HOSE ADAPTOR SEAL	
3	31000358	1	SOCKEL ADAPTOR	[1]
4	31000205	1	5 LITRE BOTTLE 310-71144	
5	31000202	1	2.5L BOTTLE	
6	31000203	1	BLACK BOTTLE CAP	
7	31000204	1	HEYCO BUSH 01/11920/0	[1]
8	31000360	1	CORD CLAMP INT STR/RELIEF 01/22647/0	[1]
9	31000428	1	SWITCH	
10	31000429	1	SWITCH PROTECTION COVER	
11	31000263	1	MATRIX STEAM AND VACUUM ACC KIT	
12	31000213	1	WATER FILTRATION ASSY	
13	31000444	1	FRONT SOCKET ASSY	
14	31000206	1	CLEAN FILTER TRIO	
15	31000226	1	WIRE TIE 100MM NATURAL	
16	31000434	1	TUBE 185MM GREEN	
17	31000259	1	TUBE RELIEF 1 MTR	
18	31000431	1	TOP MOTOR GASKET	
19	31000432	1	MIDDLE MOTOR GASKET	
20	31000433	1	BOTTOM MOTOR GASKET	
21	31000386	1	LOOM 36 NEW FOR STEAM ONLY	[1]
22	31000383	1	LOOM 31 EARTH WIRE	
22	31000368	1	LOOM 8	
23	31000412	1	NUT STAINLESS STEEL M4	
24		2	WASHER STAINLESS STEEL M4	
25	31000392	1	STAINLESS STEEL LEVEL SENSOR	

Part Notes:

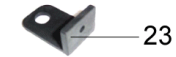
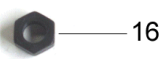
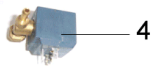
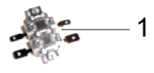
[1] - NO LONGER AVAILABLE

Single parts (2)

Nilfisk SDV8000

2017.11.02

2013.04.02



Pos.	Product no	QTY	Description	Notes
01	31000207	1	THERMAL CUT-OUT AND T-STAT 180/260	[1]
02	31000208	1	PRESSURE SWITCH	
03	31000209	1	RELEASE VALVE 11300 5/6 1/8BAR	
04	31000210	1	SOLENOID VALVE	
05	31000228	1	BOILER 1950W ELEMENT	
06	31000394	1	SCREW M4 X 6 PAN POZI TAPTITE	
07	31000395	1	HOSE CONNECTOR 1/8 INCH	[1]
08	31000396	1	IDLE RING NUT 1/8 INCH	
09	31000229	1	VARI STEAM VALVE	
10	31000397	1	BRAIDED EPDM TUBE 5MM ID 10MM OD X 1M	
11	31000361	1	ILME FEMALE POWER SUPPLY	
12	31000230	1	WHITE DIPPER	[2]
13	31000399	1	SCREW M4 X 25 PAN POZI	
14	31000400	1	NUT M5 HEX PRESSES BRASS 3MM	
15	31000231	1	DEARAETOR DEA500 BRASS	
16	31000401	1	BOTTLE SEAL NUT	[3]
17	31000402	1	SPIGOT BOTTLE SEAL	
18	31000232	1	INLET RUBBER ELBOW	
19	31000403	1	SUCTION SOCKET ASSY	
20	31000404	1	GASKET	[1]
21	31000405	1	WIRE PROTECTING GROMMENTS	
22	31000211	1	PUMP EX5 W/BRASS	
23	31000363	1	RUBBER MOUNTING AUTOFILL PUMP	
24	31000233	1	PLASTIC HANDLE WINGNUT 34723	
25	31000408	1	CASTER NO BRAKE	
26	31000234	1	FILTER SOCK	
27	31000409	1	BOLT M5 FOR BOILER	
28	31000410	1	NUT M5 FOR BOILER	
29	31000412	1	NUT STAINLESS STEEL M4	
30	31000212	1	MOTOR 850W	

Part Notes:

- [1] - STOCK COVERS GUARANTEE
- [2] - ALTERNATIVE USE 31000244
- [3] - NO LONGER AVAILABLE



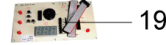
1



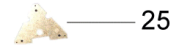
7



13



19



25



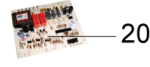
2



8



14



20



26



3



9



15



21



27



4



10



16



22



28



5



11



17



23



29



6



12



18



24



30

Pos.	Product no	QTY	Description	Notes
01	31000235	1	CASTOR WITH BRAKE	
02	31000236	1	INLINE WATER FILTER	
03	31000237	1	BLUE DIPPER	
04	31000214	1	AC LINE FILTER W/NUT AND WASHER	
05	31000239	1	BOILER 3000W	
06	31000240	1	P/RELEASE VALVE 11BAR 551/C	
07	31000241	1	CAPILLARY PRESSURE GAUGE COPPER COIL	
08	31000242	1	NON RETURN VALVE 503-1/8	
09	31000243	1	PRESSURE GAUGE	
10	31000413	1	PLUG 3/8 INCH	
11	31000215	1	MAINS ON/OFF SWITCH W. LIGHT	
12	31000216	1	HANDLE CONTROL SWITCH	[1]
13	31000244	1	RED DIPPER	
14	31000245	1	LEMON CLIP - 2 EARED CLAMP	
15	31000246	1	S/S M4 X 10MM ALLEN HEAD BOLTS	[2]
16	31000217	1	MAIN PCB POWER BOARD 4 BAR	[3]
16	31000222	1	MAIN PCB POWER BOARD 8 BAR	[4]
17	31000248	1	VARISTREAM VALVE	
18	31000218	1	CORD 3W 10M H05V2V2-F 1.5MM2 UK	[1]
19	31000219	1	DISPLAY BOARD PCB W/RIBBON	
21	31000417	1	1.3MM PLUMBING RESTRICTION	
22	31000223	1	SOLENOID VALVE	
23	31000224	1	PRESSURE SWITCH XP111	
24	31000254	1	TURBULAR HANDLE	
25	31000418	1	BOILER BRACKET 4 BAR BOILER	[1]
26	31000255	1	HANDLE BLACK	
27	31000419	1	FILTER DOOR STAINLESS STEEL	
28	31000421	1	32MM HOSE X 205MM WITH CUFF	
28	31000422	1	32MM HOSE X 260MM WITH CUFF	
28	31000420	1	32MM HOSE X 160MM WITH CUFF	[2]
29	31000423	1	32MM HOSE X 540MM WITH CUFF	
30	31000424	1	32MM HOSE X 780MM WITH CUFF	

Part Notes:

- [1] - NO LONGER AVAILABLE
- [2] - STOCK COVERS GUARANTEE
- [3] - For MD4500, SDV4500, SO4500
- [4] - SV8000



Pos.	Product no	QTY	Description	Notes
01	31000256	1	WIRE BASKET	
02	31000254	1	TURBULAR HANDLE	
03	31000233	1	PLASTIC HANDLE WINGNUT 34723	
04		1	Not available	
05	31000235	1	CASTOR WITH BRAKE	
06	45000030	1	HOSE STEAM VAC DETERGENT 2.5M	[1]
07	45000031	1	EXTENSION TUBE SINGLE	[1]
08	45000032	1	300MM FLOOR BRUSH NOZZLE	[1]
09	45000033	1	300MM FLOOR BRUSH INSERT	[1]
10	45000034	1	300MM SQUEEGEE INSERT	[1]
11	45000035	1	300MM CARPET INSERT	[1]
12	45000036	1	250MM GLASS WASHER *	[1]
13		1	Not available	
14		1	Not available	
15		1	Not available	
16	45000037	1	UPHOLSTERY SUCTION TOOL	[1]
17	45000038	1	ROUND STAINLESS STEEL BRUSH FIT IN 10S	[1]
18	45000039	1	ROUND BRUSH POLYESTER IN10S	[1]
19	45000040	1	ROUND BRASS BRUSH IN 10S	[1]
20	45000041	1	400MM FLOOR BRUSH NOZZLE	[1]
21	45000042	1	400MM FLOOR BRUSH INSERT	[1]
22	45000043	1	400MM SQUEEGEE INSERT	[1]
23	45000044	1	400MM CARPET INSERT	[1]

Part Notes:

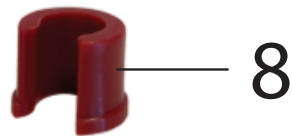
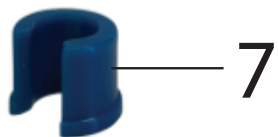
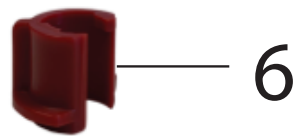
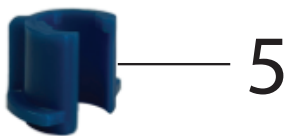
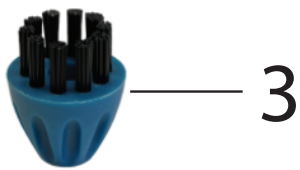
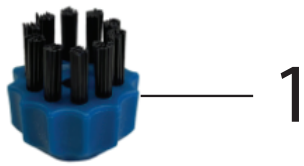
[1] - PRUNED - NO REPLACEMENT



Pos.	Product no	QTY	Description	Notes
01	450000045	1	HOSE STEAM VAC AND DETERGENT	[1]
02	450000046	1	150MM STEAM AND VAC NOZZLE	[1]
03	450000047	1	150MM STEAM AND VAC BRUSH	[1]
04	450000048	1	150MM STEAM AND VAC SQUEEGEE	[1]
05	450000050	1	LONG STEAM LANCE	[1]
06	450000051	1	SHORT STEAM LANCE	[1]
07	450000052	1	SHORT STEAM LANCE IN PLASTIC	[1]
08	450000053	1	STEAM AND VACUUM GULPER NOZZLE	
09	450000054	1	95 MM TRIANGULAR BRUSH	[1]
10	450000055	1	ICE SCRAPER	
11	450000056	1	MATRIX 4 METRE HOSE FOR STEAM ONLY	[1]
12	31000428	1	SWITCH	
12	31000427	1	LANCE GUN STAINLESS STEEL INCL 4M HOSE	
13		1	Not available	
13	31000429	1	SWITCH PROTECTION COVER	
14	450000057	1	EXTENSION TUBE	[1]
15	450000058	1	FLOOR BRUSH	[1]
16	450000059	1	TRIANGULAR BRUSH	[1]
17	450000060	1	LARGE BRUSH ELBOW	
18	450000061	1	WINDOW SQUEEGEE	[1]
19	450000062	1	LONG NOZZLE	
20	450000063	1	CURVED NOZZLE	[1]
21	450000064	1	DETAIL BRUSH NOZZLE	[1]
22		1	Not available	
23	450000065	1	DETAIL NYLON BRUSH KIT (10 PCS)	[1]
24		1	Not available	
25	450000066	1	DETAIL BRASS BRUSH IN 10S	[1]
26		1	Not available	
27		1	Not available	
28	450000067	1	55MM ROUND BRUSH	[1]

Part Notes:

[1] - PRUNED - NO REPLACEMENT



Pos.	Product no	QTY	Description	Notes
1	450000070	1	NYLON BRUSH BLUE - STEAM ONLY	
	450000071		NYLON BRUSH GREEN - STEAM ONLY	
2	450000072	1	NYLON BRUSH RED - STEAM ONLY	
3	450000074	1	NYLON BRUSH BLUE	
	450000073		NYLON BRUSH YELLOW - STEAM ONLY	
	450000075		NYLON BRUSH GREEN	
4	450000076	1	NYLON BRUSH RED	
	450000077		NYLON BRUSH YELLOW	
5	450000078	1	LOCKING CLIP BLUE	
	450000079		LOCKING CLIP GREEN	
	450000081		LOCKING CLIP YELLOW	
6	450000080	1	LOCKING CLIP RED	
7	450000082	1	CLIP BLUE	
	450000083		CLIP GREEN	
8	450000084	1	CLIP RED	
	450000085		CLIP YELLOW	
	450000049		CREVICE TOOL	

