

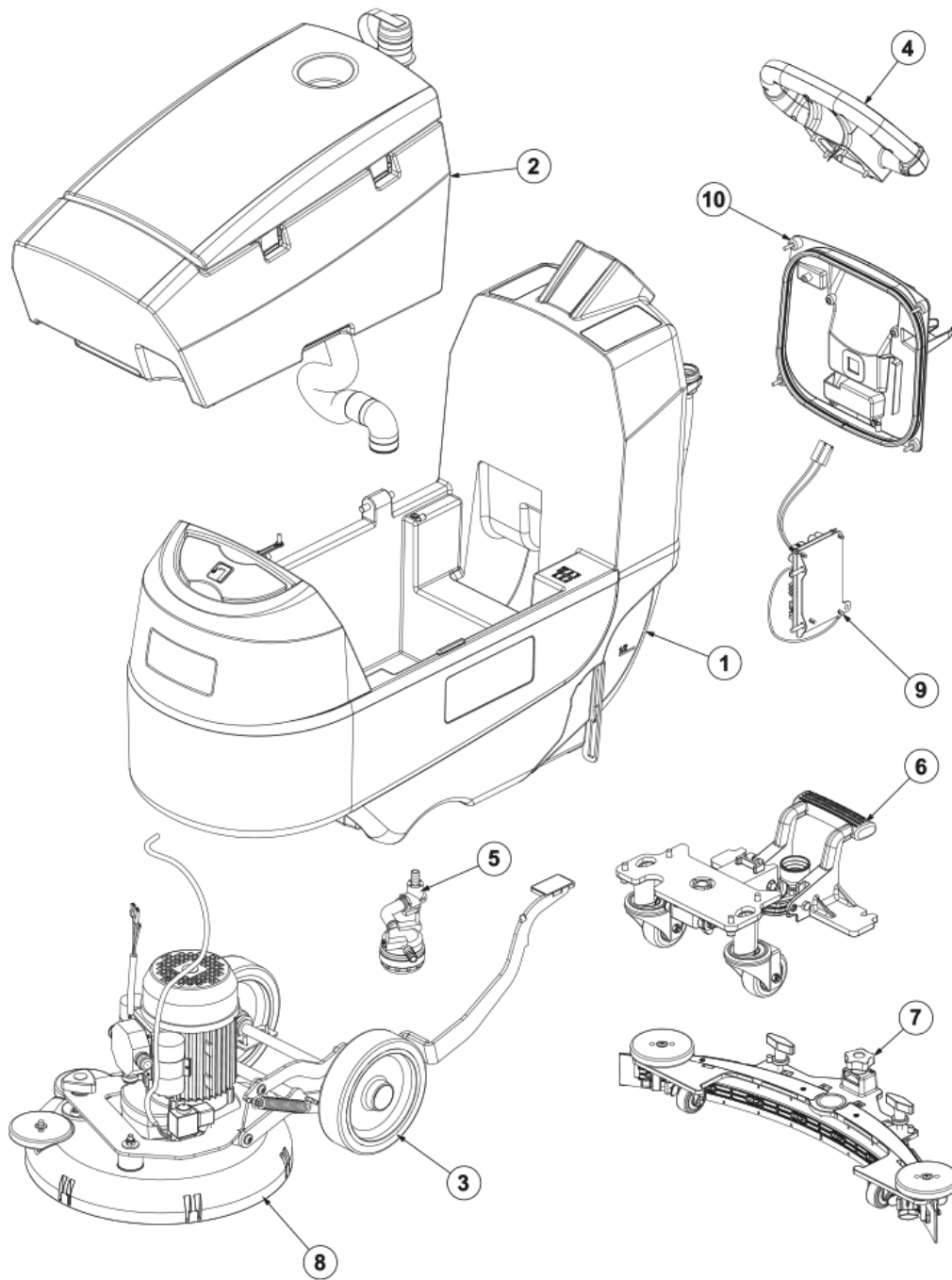
# PARTS LIST

2020.12.16

# TABLE OF CONTENTS

---

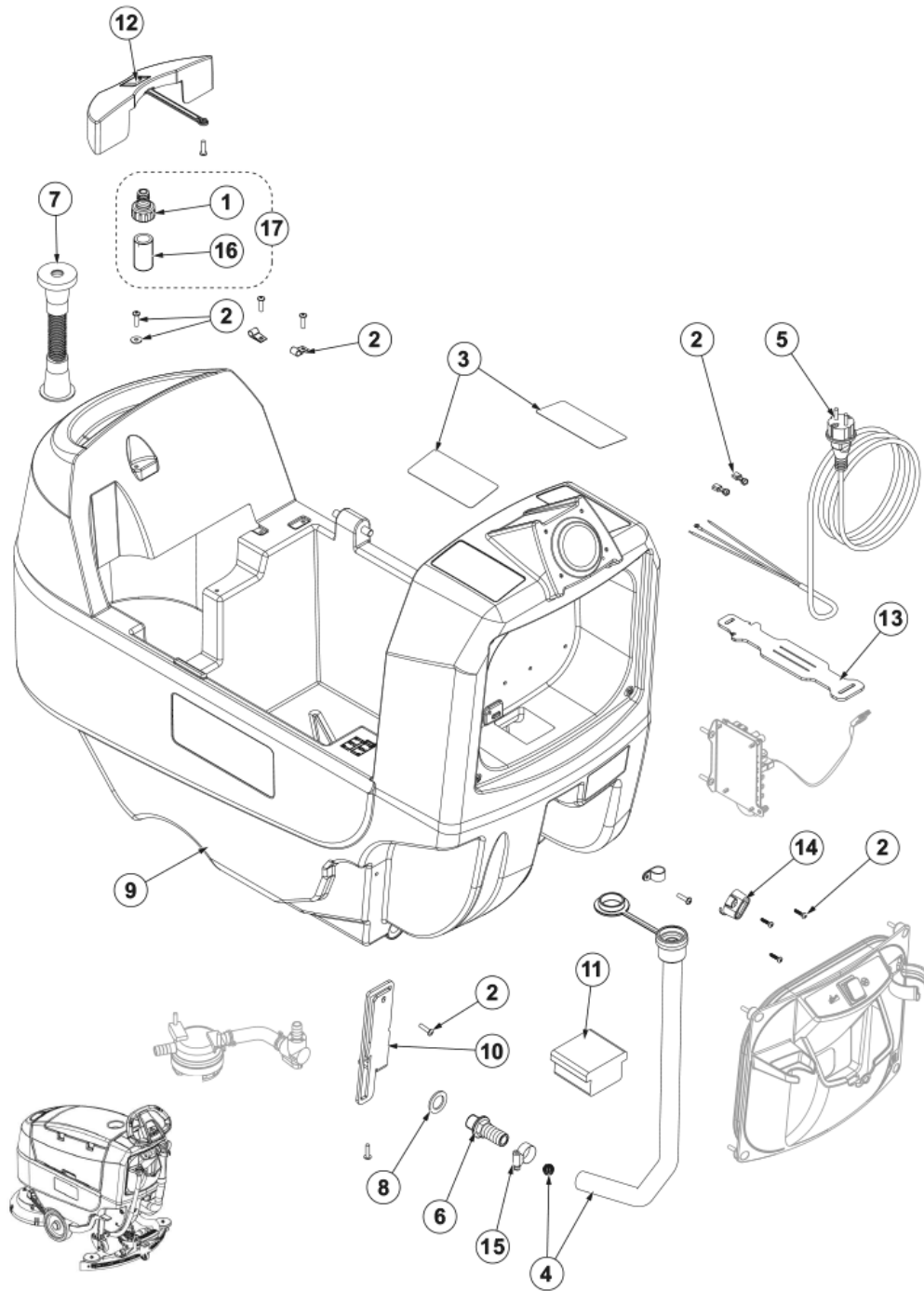
PL GENERAL VIEW .....	1
PL SOLUTION TANK SYSTEM .....	3
PL RECOVERY TANK SYSTEM .....	5
PL VACUUM MOTOR SYSTEM .....	7
PL WHEELS SYSTEM .....	9
PL HANDLEBAR SYSTEM .....	11
PL REAR WHEELS SYSTEM .....	13
PL SQUEEGEE SYSTEM .....	15
PL BRUSH DECK .....	17
PL ELECTRICAL COMPONENTS SYSTEM .....	19
PL COVER ELECTRONIC SYSTEM .....	21
PL ACCESSORIES - OPTIONALS .....	23
PL BRUSHES .....	25
PL WIRING DIAGRAM .....	27
PL RECOMMENDED PARTS .....	29



Pos.	Product no	QTY	Description	Notes
1		1	SOLUTION TANK SYSTEM	[1]
2		1	RECOVERY TANK SYSTEM	[2]
3		1	WHEELS SYSTEM	[3]
4		1	HANDELABAR SYSTEM	[4]
5		1	SOLUTION SYSTEM	[5]
6		1	REAR WHEELS SYSTEM	[5]
7		1	SQUEEGEE SYSTEM	[6]
8		1	BRUSH DECK SYSTEM	[7]
9		1	ELECTRICAL COMPONENTS SYSTEM	[8]
10		1	COVER ELECTRONIC SYSTEM	[9]
	9100002996		CARDBOARD BOX 1400X690X1150MM SET	[10]

## Part Notes:

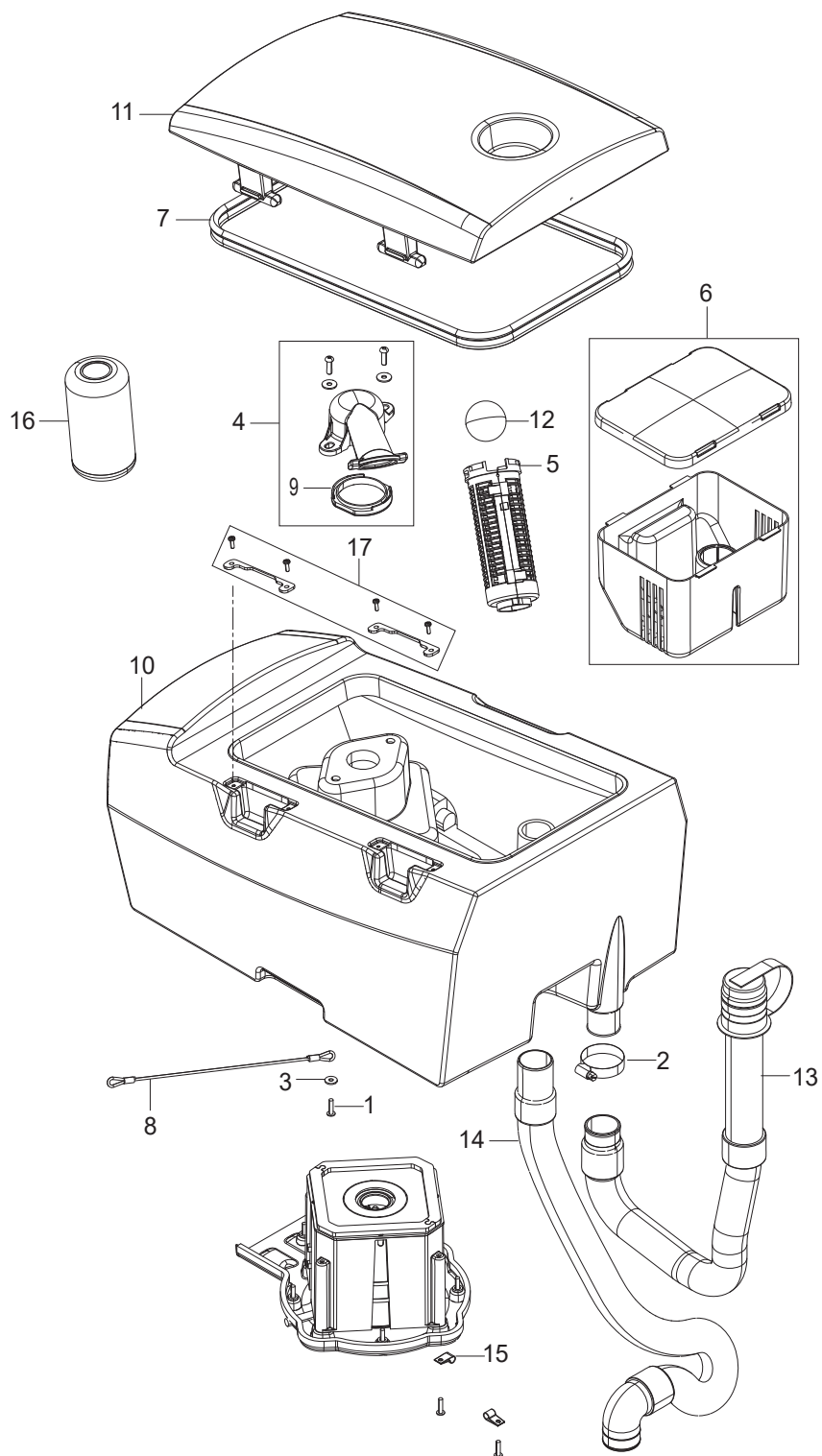
- [1] - PL SOLUTION TANK SYSTEM
- [2] - PL RECOVERY TANK SYSTEM
- [3] - PL WHEELS SYSTEM
- [4] - PL HANDLEBAR SYSTEM
- [5] - PL REAR WHEELS SYSTEM
- [6] - PL SQUEEGEE SYSTEM
- [7] - PL BRUSH DECK
- [8] - PL ELECTRICAL COMPONENTS SYSTEM
- [9] - PL COVER ELECTRONIC SYSTEM
- [10] - 5 pcs.



Pos.	Product no	QTY	Description	Notes
1	1402809	1	GARDENA COMPATIBLE MALE COUPLING 3/4	
2	9100002424	1	HARDWARE SOLUTION TANK KIT	
3	9100002434	1	DECALS FUNCTIONS SETTING KIT	
4	9100002431	1	HOSE FRESH WATER LEV. W/CAP KIT	
5	909 6229 000	1	CABLE POWER SUPPLY EU L.20000MM	[1]
6	9100000574	1	BARB HOSE STRAIGHT D.19.8 G1/2 PLAST KIT	
7	9100000703	1	HOSE FILLING SIP	
8	9100001139	1	GASKET RUBBER D.21X33X2.5 BLACK SIP	
9	9100002428	1	TANK SOLUTION 30L PLAST. GREY SIP	
10	9100002433	1	SUPPORT PEDAL SS SIP	
11	9100002511	1	PANEL RUBBER FOAM F WATER PROTECTION SIP	
12	9100002430	1	CAP RUBBER F SOLUTION TANK SIP	
13	9100002512	1	BAND ELASTIC F CABLE POWER SUPPLY SIP	
14	L08338600	1	CLAMP CABLE UL	
15	L08603916	1	CLAMP 12/ 16-27	
16	9100002435	1	CONNECTOR MALE THD 3/4 G PLAST.BLACK SIP	
17	9100002572	1	HOSE QUICK CONNECTION	[2]

Part Notes:

- [1] - Lenght: 20 m
- [2] - OPTIONAL



# PL RECOVERY TANK SYSTEM

SC401 43 E NIL

2019.08.12

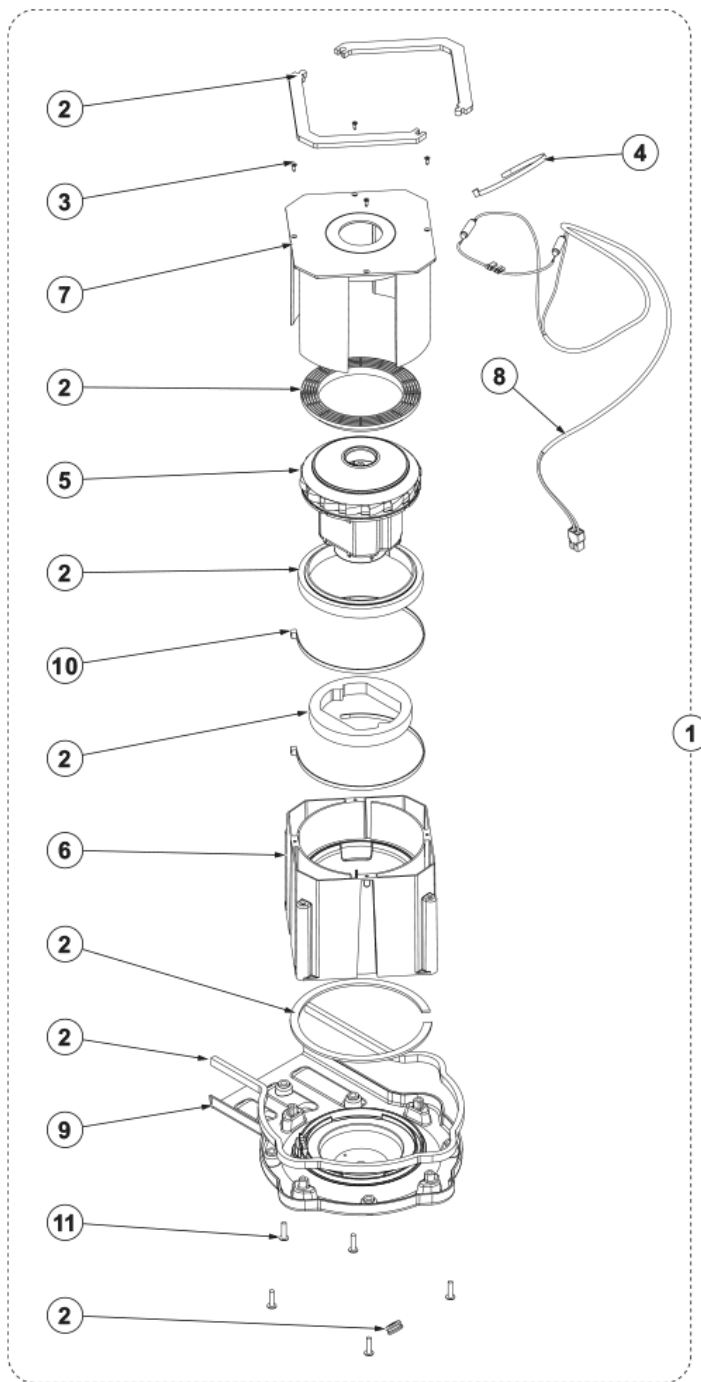
2020.01.06

Pos.	Product no	QTY	Description	Notes
1	9100002437	1	SCREW M5X20 TORX ISO7380-2 10 PCS SET	
2	9100001348	1	CLAMP HOSE 32-52/12 10 PCS SET	
3	145 8280 000	1	WASHER PLAIN M5X15 SS ISO7093	
4	9100001875	1	SUPPORT FLOAT KIT	
5	9100000818	1	CAGE FLOAT HALF 2 PCS SET	
6	9100000795	1	TRAY DEBRIS KIT	
7	9100002436	1	GASKET BULB RUBBER L.1450MM SIP	
8	9100002438	1	CABLE SAFETY F TANK SIP	
9	9100000928	1	GASKET FLOAT SUPPORT PLAST. SIP	
10	9100002984	1	TANK RECOVERY 30L PLAST. GREY KIT	
11	9100002441	1	COVER PLAST. GREY F TANK 30L SIP	
12	9100000817	1	BALL FLOATING SIP	
13	9100002443	1	HOSE DRAIN BLACK L.530MM SIP	
14	9100002444	1	HOSE SUCTION SQUEE. 90 BLACK L.970MM SIP	
15	L08193000	2	CLAMP CABLE BLACK	
16	909 5065 000	1	FILTER ANTIFOAMING	[1]
17	9100002985	1	PLATE HINGE LOCATOR KIT	
10+17	9100002984	1	TANK RECOVERY 30L PLAST. GREY KIT	

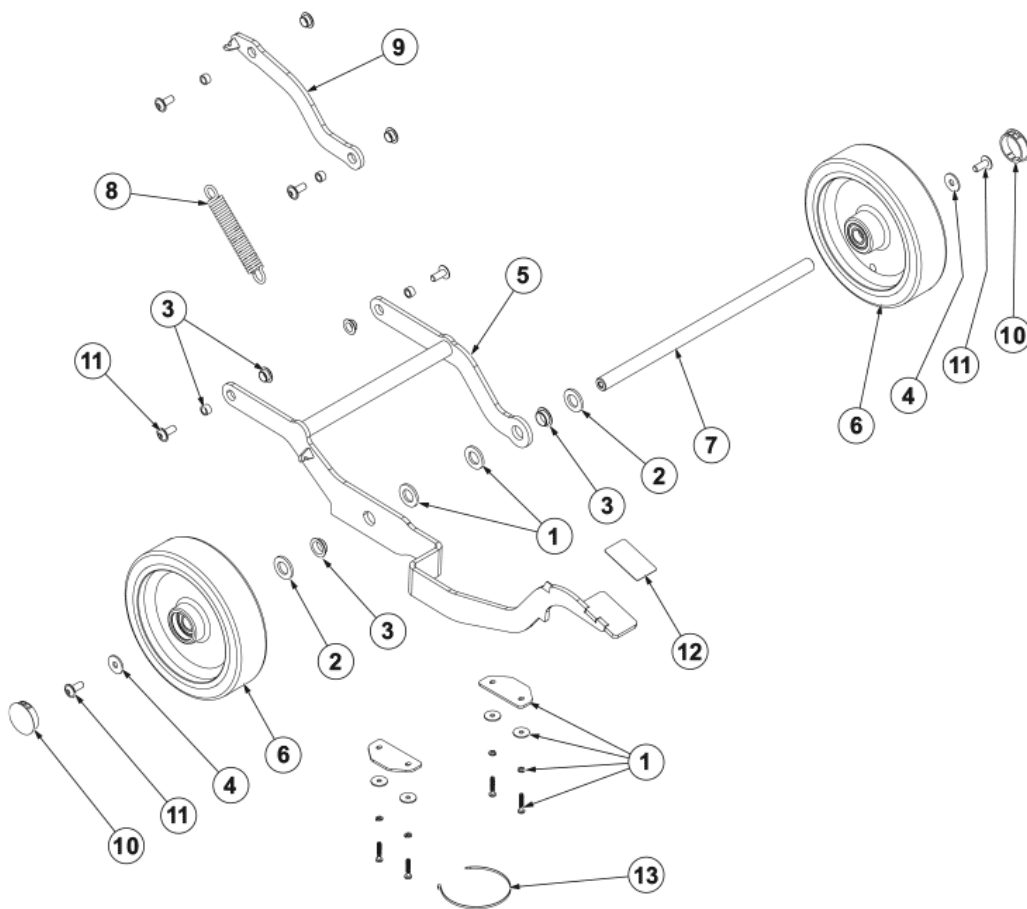
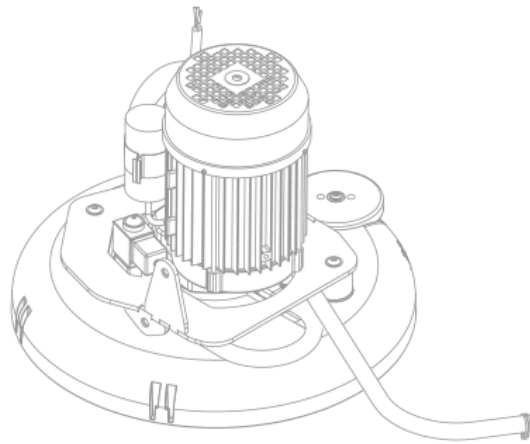
**Part Notes:**

[1] - OPTIONAL

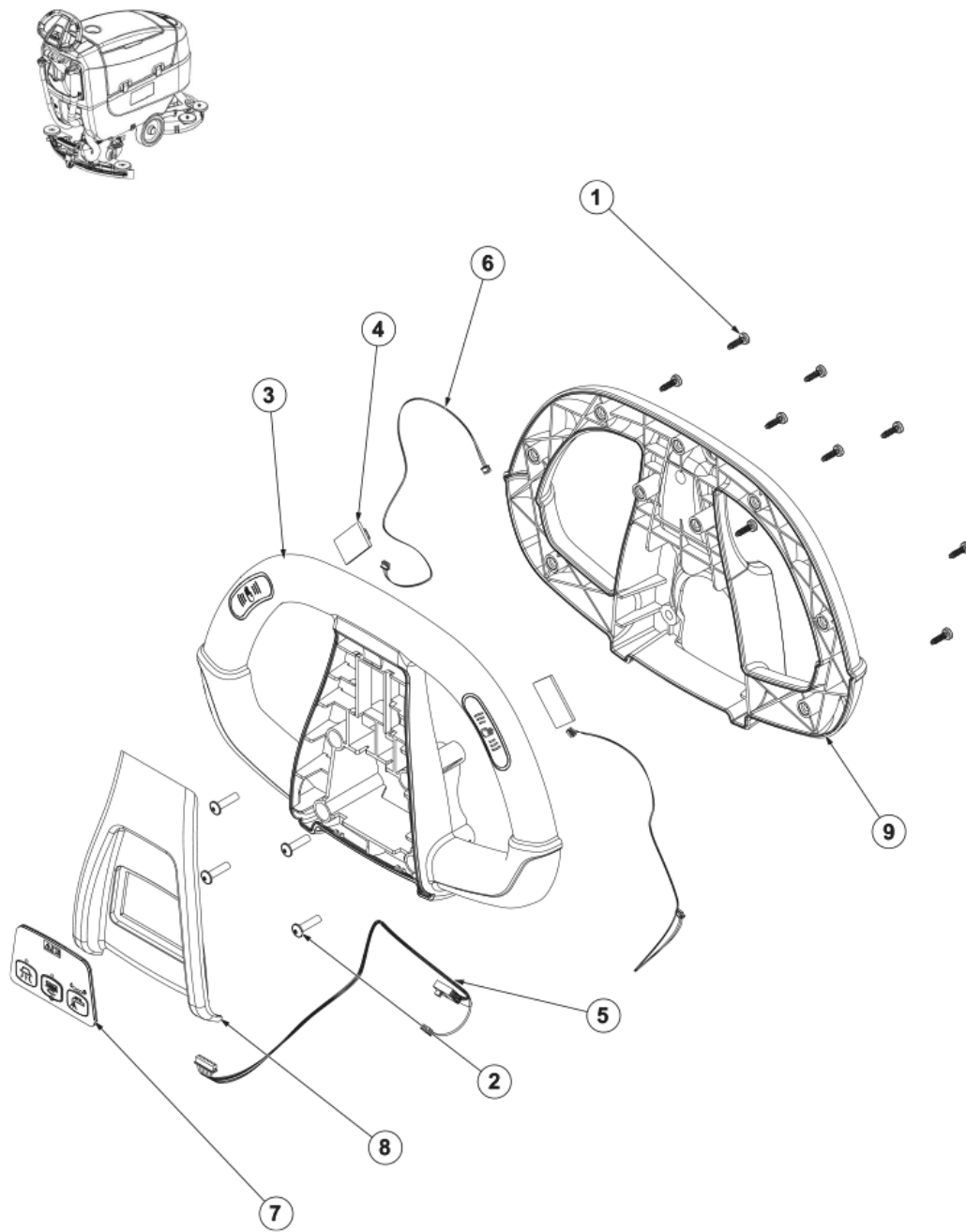




Pos.	Product no	QTY	Description	Notes
1	9100002535	1	MOTOR VACUUM 280W 230V KIT	
2	9100002447	1	GASKETS VAC. MOTOR KIT	
3	145 1756 000	4	SCREW 2.9X9.5 SELF C/SUNK PHIL ISO7050	
4	1466344000	1	TIE CABLE 4.8X200 BLACK 10 PCS SET	
5	9100002552	1	VACUUM MOTOR 280W 230V SIP	
6	9100001983	1	SUPPORT EXT. PLAST. F VAC. MOTOR KIT	
7	9100001989	1	SUPPORT INT. PLAST. F VAC. MOTOR SIP	
8	9100002513	1	HARNESS VACUUM MOTOR 230V SIP	
9	9100002446	1	SUPPORT PLAST. F VACUUM MOTOR SIP	
10	1466337000	1	TIE CABLE 4.8X430 WHITE 2 PCS SET	
11	9100002437	1	SCREW M5X20 TORX ISO7380-2 10 PCS SET	



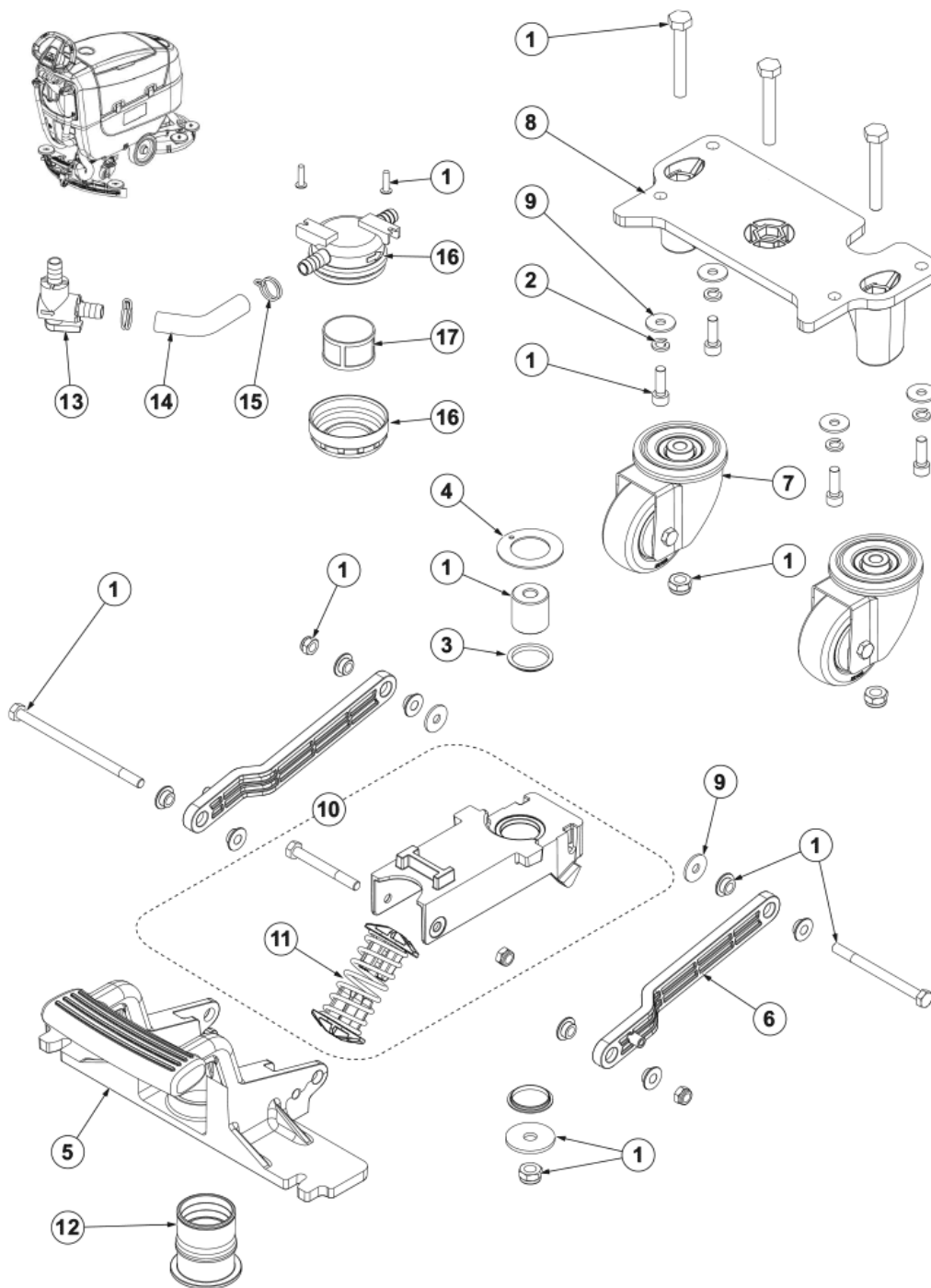
Pos.	Product no	QTY	Description	Notes
1	9100002465	1	HARDWARE FRONT WHEELS SYST.NO DRIVE KIT	
2	33023628	1	WASHER PLAIN M16X30 ISO7089 10PCS.SET	
3	9100002458	1	BUSHINGS AND BEARINGS F PEDAL SYST. KIT	
4	33023660	1	WASHER PLAIN M8X24X2 ISO7093 5 PCS SET	
5	9100002461	1	PEDAL BRUSH LIFTING GALV. SIP	
6	9100002462	2	WHEEL D.200X50 TPE BLACK/GREY SIP	
7	9100002463	1	SHAFT WHEELS PHOS. SIP	
8	9100002452	1	SPRING EXTENTION D.E.20.5 WIRE D.3.5 SIP	
9	9100002464	1	LEVER BRUSH DECK GALV. SIP	
10	9100002450	1	PLUG DOME O.D.42.4 PLAST.BLACK 2 PCS SET	
11	9100002456	1	SCREW M8X20 BUTTON ISO7380-2 10 PCS SET	
12	9100002457	1	ANTI-SLIP SURFACING BLACK 35X60MM SIP	
13	1466344000	1	TIE CABLE 4.8X200 BLACK 10 PCS SET	



Pos.	Product no	QTY	Description	Notes
1	140 9214 040	9	SCREW PTK TORX 40X14 MM FZB	
2	9100002437	1	SCREW M5X20 TORX ISO7380-2 10 PCS SET	
3	9100002467	1	COVER PLAST. F HANDLE BAR SIP	[1]
4	9100002016	2	SENSOR CAPACITIVE SIP	
5	9100002468	1	HARNESS DASHBOARD SIP	
6	9100002469	2	HARNESS HANDLE BAR SENSORS SIP	
7	9100002514	1	CONTROLLER USER INTERFACE 230V SIP	
8	9100002553	1	COVER CENTRAL PLAST. F HANDLE BAR SIP	
9	9100002554	1	FRAME PLAST. F HANDLE BAR SIP	[2]

## Part Notes:

- [1] - TSB-FC-2020-012  
TSB-FC-2020-012 SC401 handelbar
- [2] - TSB-FC-2020-012 SC401 handelbar



# PL REAR WHEELS SYSTEM

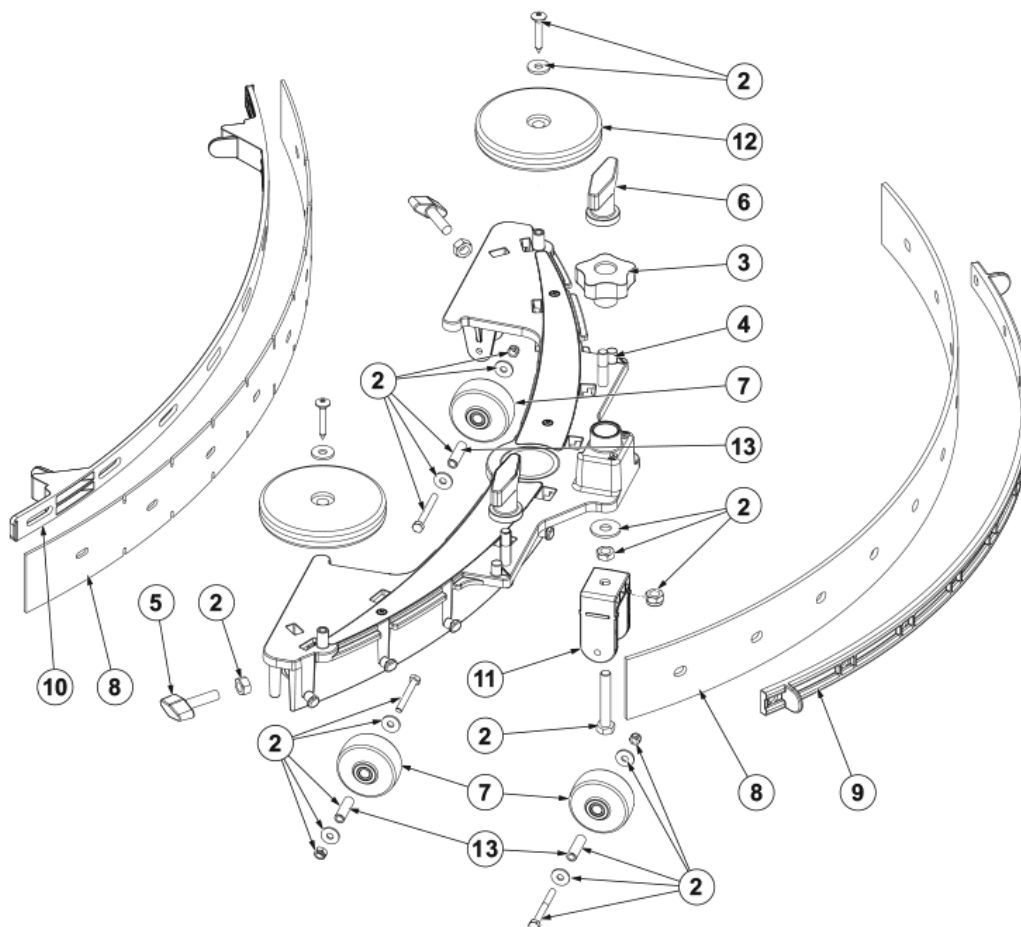
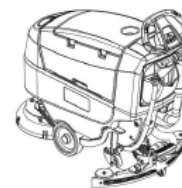
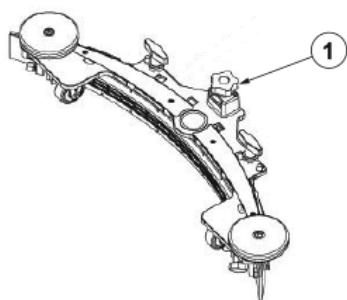
SC401 43 E NIL

2017.11.02

2017.12.06

Pos.	Product no	QTY	Description	Notes
1	9100002475	1	HARDWARE REAR WHEELS SYSTEM KIT	
2	33023223	1	WASHER SPRING LOCK M8 DIN127B 10 PCS SET	
3	9100000902	1	BEARING FLANGE IGLIDUR 2 PCS SET	
4	9100000903	1	WASHER THRUST GTM 3254-015 SIP	
5	9100000853	1	SUPPORT LOWER F SQUEEGEE SIP	
6	9100000854	1	LEVER SQUEEGEE LIFT 2 PCS SET	
7	9100000856	1	WHEEL CASTOR D.80X32 GALV. 2 PCS SET	
8	9100002473	1	SUPPORT ALU F REAR WHEELS-SQUEEGEE SIP	
9	33023660	2	WASHER PLAIN M8X24X2 ISO7093 5 PCS SET	
10	9100002400	1	SUPPORT UPPER F SQUEEGEE KIT	
11	9100002401	1	SPRING COMPRESSION KIT	
12	9100002396	1	SLEEVE RUBBER BLACK F SUCTION HOSE SIP	
13	9100000803	1	VALVE ELBOW SIP	
14	9100002474	1	HOSE PVC W/SPIRAL D.12X18 L.100MM SIP	
15	9100001159	1	CLAMP DOUBLE WIRE SPRING D.18 10 PCS SET	
16	9100000860	1	FILTER WATER SIP	
17	9100000861	1	NET WATER FILTER REINFORCED SIP	

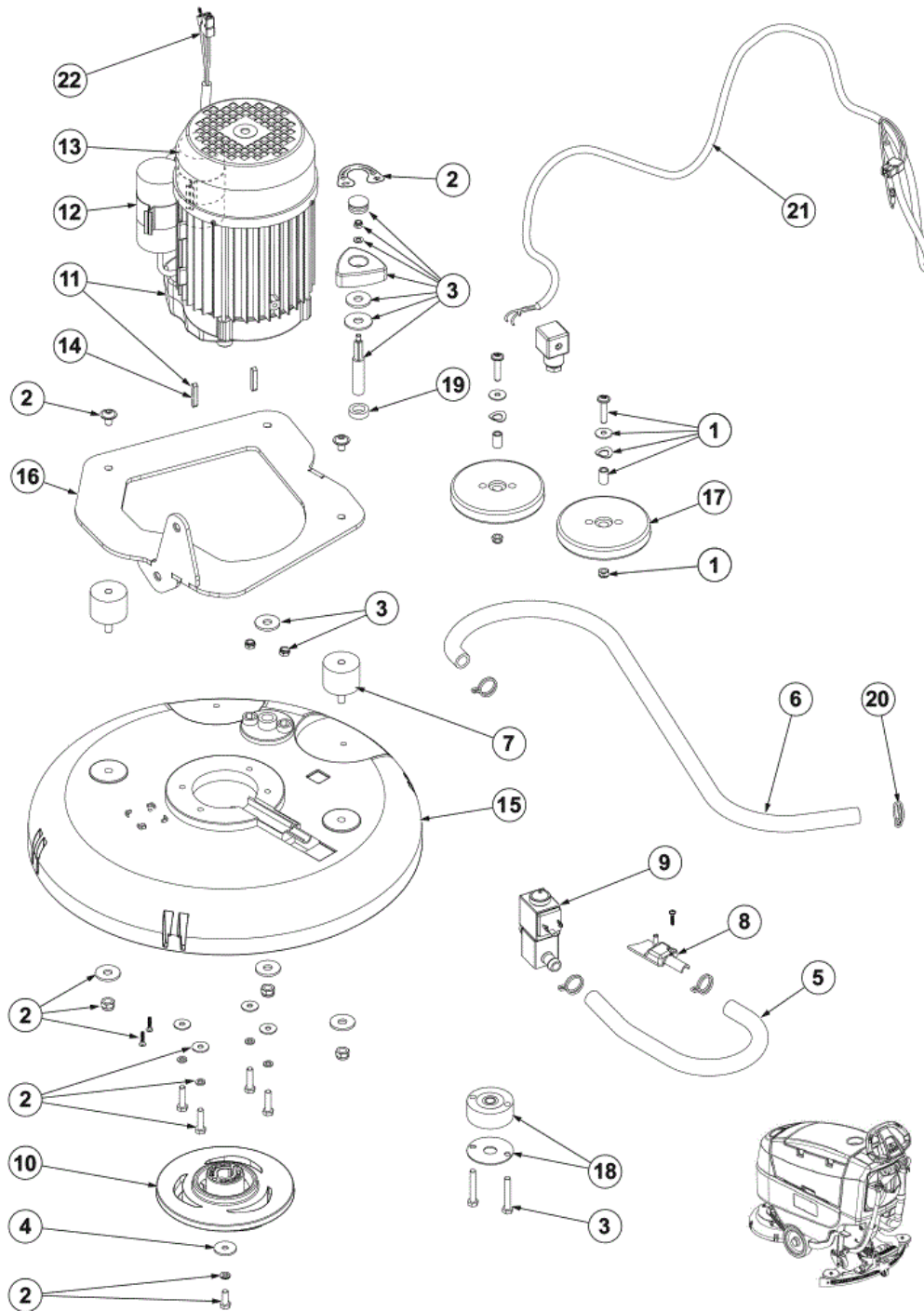




Pos.	Product no	QTY	Description	Notes
1	9100002570	1	SQUEEGEE 700MM 28 PLAST. KIT	
2	9100000748	1	HARDWARE SQUEEGEE KIT	
3	9100000862	1	KNOB LOBES M8 FEMALE SIP	
4	9100000747	1	SQUEEGEE 700MM 28 PLAST. PRE-ASSEMB. SIP	
5	9100000791	2	KNOB M8X30 THD STUD SS SIP	
6	9097637000	1	SQUEEGEE FIXING KIT	
7	9100000559	3	WHEEL D.51 GREY SIP	
8	9100002541	1	BLADE SQUEEGEE 700MM 28 GUM KIT	[1]
8	9100002542	1	BLADE SQUEEGEE 700MM 28 PU KIT	[1]
8	9100002543	1	BLADE SQUEEGEE 700MM 28 RED GUM KIT	[1]
9	9100000864	1	STRAP REAR ELASTIC F SQUEE. 700MM 28 SIP	
10	9100000865	1	STRAP FRONT PLAST. F SQUEE. 700MM 28 SIP	
11	9100000866	1	SUPPORT SQUEEGEE WHEEL SIP	
12	9100001816	1	WHEEL BUMPER D.100 PLASTIC 2 PCS SET	
13	9100002408	1	BEARING SLEEVE D.5.1X8 H.28.5 3 PCS SET	

Part Notes:

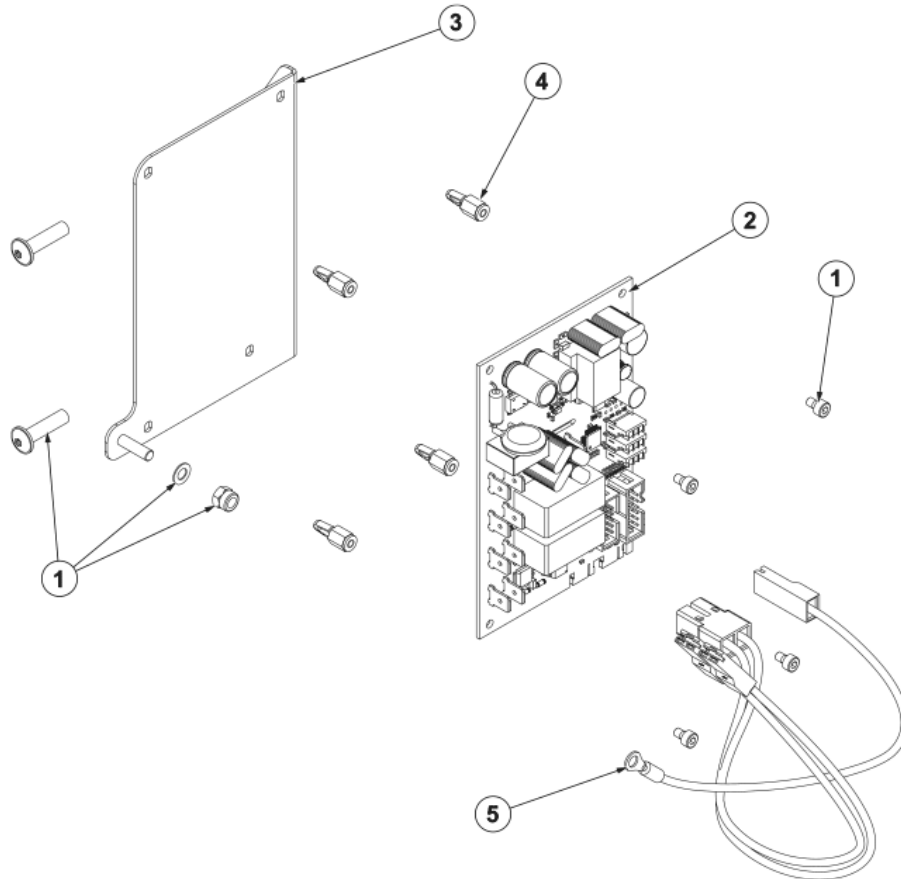
[1] - OPTIONAL



Pos.	Product no	QTY	Description	Notes
1	9100002481	1	HARDWARE BUMPER WHEELS KIT	
2	9100002482	1	HARDWARE BUSH DECK KIT	
3	9100002483	1	KNOB BRUSH SPEED ADJUSTM. KIT	
4	9100001272	1	WASHER PLAIN M6X24 SS ISO7093 10 PCS SET	
5	9100002479	1	HOSE PVC W/SPIRAL D.12X18 L.330MM SIP	
6	9100002480	1	HOSE PVC W/SPIRAL D.12X18 L.800MM SIP	
7	9100000868	1	VIBRATION DAMPING M8 60SH 2 PCS SET	
8	9100000869	1	COVER F SOLUTION HOSE SUPPORT PLAST. SIP	
9	9099246000	1	SOLENOID VALVE 220-230V	
10	9100000871	1	HUB BRUSH SIP	[1]
K1	9097093000	1	HOLDER POLYGONAL KIT	[1]
11	9100002536	1	REDUCTION GEARMOTOR 750W 230V SIP	
12	9100002537	1	CAPACITOR ELECTRIC SIP	
13	9100002538	1	CAPACITOR RUN SIP	
14	9100000875	1	KEY 5X5X30 DIN6885 2 PCS SET	
15	9100002477	1	DECK BRUSH 430MM/17 PLAST. SIP	
16	9100002478	1	PLATE BRUSH DECK HOLDER GALV. SIP	
17	9100001816	1	WHEEL BUMPER D.100 PLASTIC 2 PCS SET	
18	L08812780	1	PLATE FIXING BRUSH KIT	
19	9100002484	1	SPACER D.12.5X20 H.6 PLAST. SIP	
20	9100001159	1	CLAMP DOUBLE WIRE SPRING D.18 10 PCS SET	
21	9100002515	1	HARNESS SOLENOID VALVE 230V SIP	
22	9100002539	1	HARNESS BRUSH MOTOR SIP	

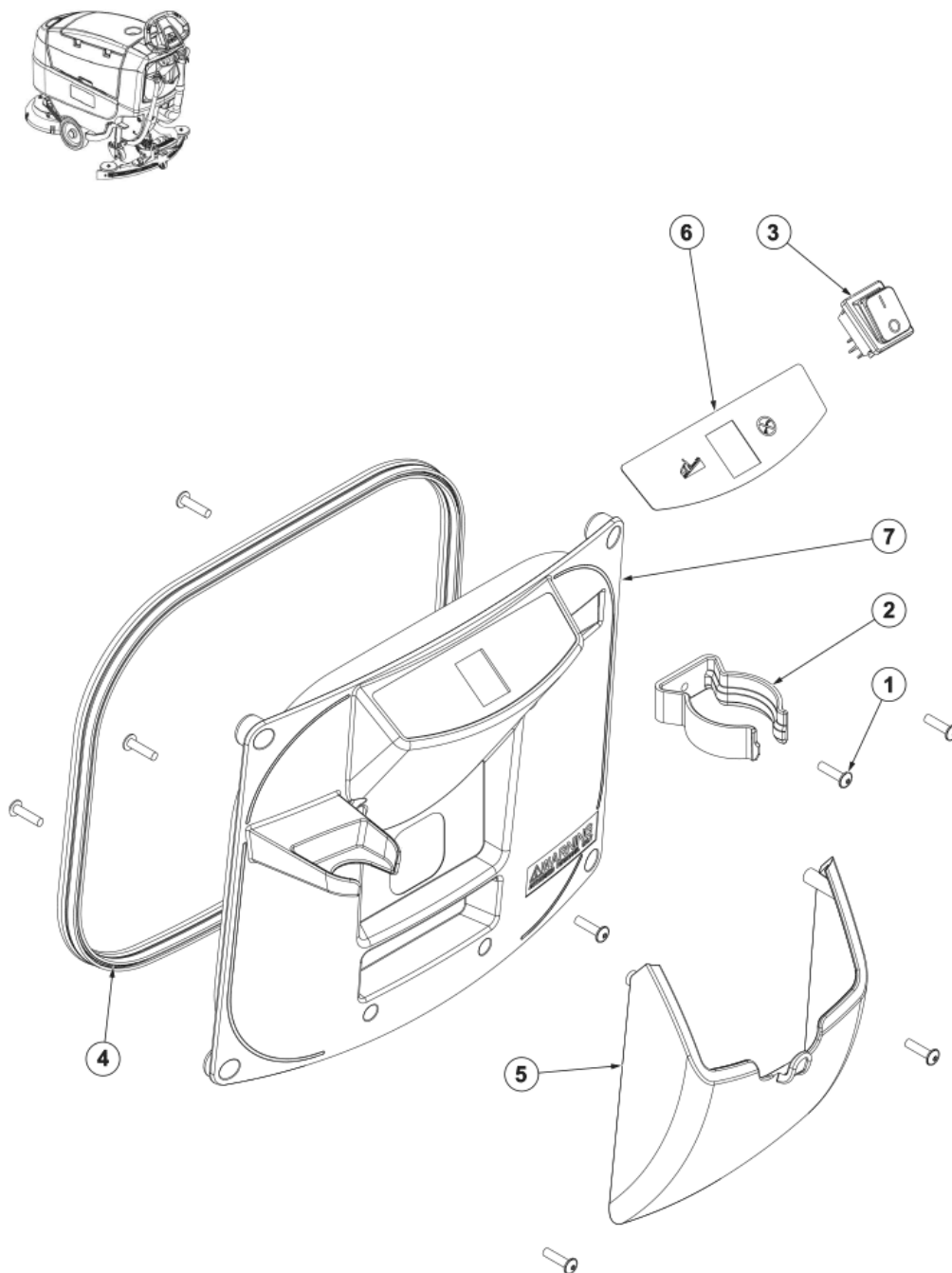
Part Notes:

- [1] - TSB-FC-2019-037 brush hub SC500\_SC2000\_SC401  
DE TSB-FC-2019-037 SC500 SC2000 SC401 Bürstenaufnahme



---

<b>Pos.</b>	<b>Product no</b>	<b>QTY</b>	<b>Description</b>	<b>Notes</b>
1	9100002518	1	HARDWARE ELECTR. COMP. SYSTEM KIT	
2	9100002519	1	CONTROLLER MAIN MACHINE CA SIP	
3	9100002516	1	SUPPORT GALV. F CONTR. MAIN MACH. CA SIP	
4	9100002488	1	SUPPORT THD PLAST F CONTROLLER 4 PCS SET	
5	9100002517	1	HARNESS ELECT.COMP. BOX CA SIP	

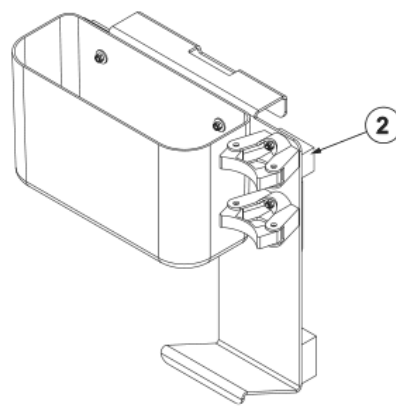
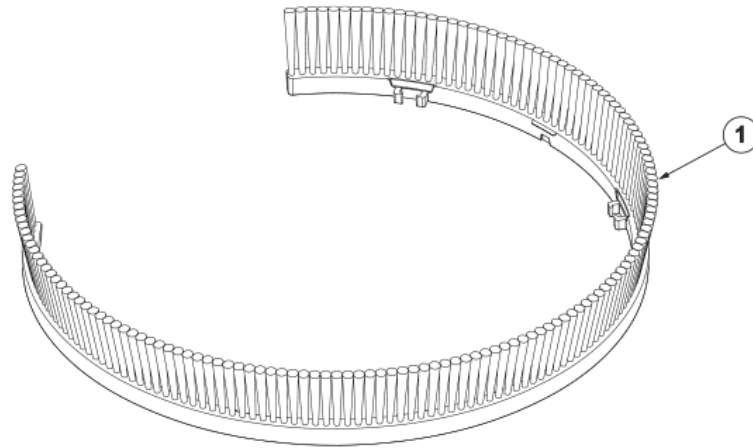


---

Pos.	Product no	QTY	Description	Notes
1	9100002437	1	SCREW M5X20 TORX ISO7380-2 10 PCS SET	
2	909 6380 000	1	CLAMP KIT	
3	9099357000	1	SWITCH DOUBLE-POLE	
4	9100002496	1	GASKET BULB REINFORCED L.1050MM SIP	
5	9100002497	1	POCKET PLAST. F ELECTR. BOX COVER SIP	
6	9100002520	1	DECAL ELECTRIC BOX COVER CA SIP	
7	9100002521	1	COVER PLAST. F ELECT. COMP. BOX CA SIP	

---





# PL ACCESSORIES - OPTIONALS

SC401 43 E NIL

2017.11.02

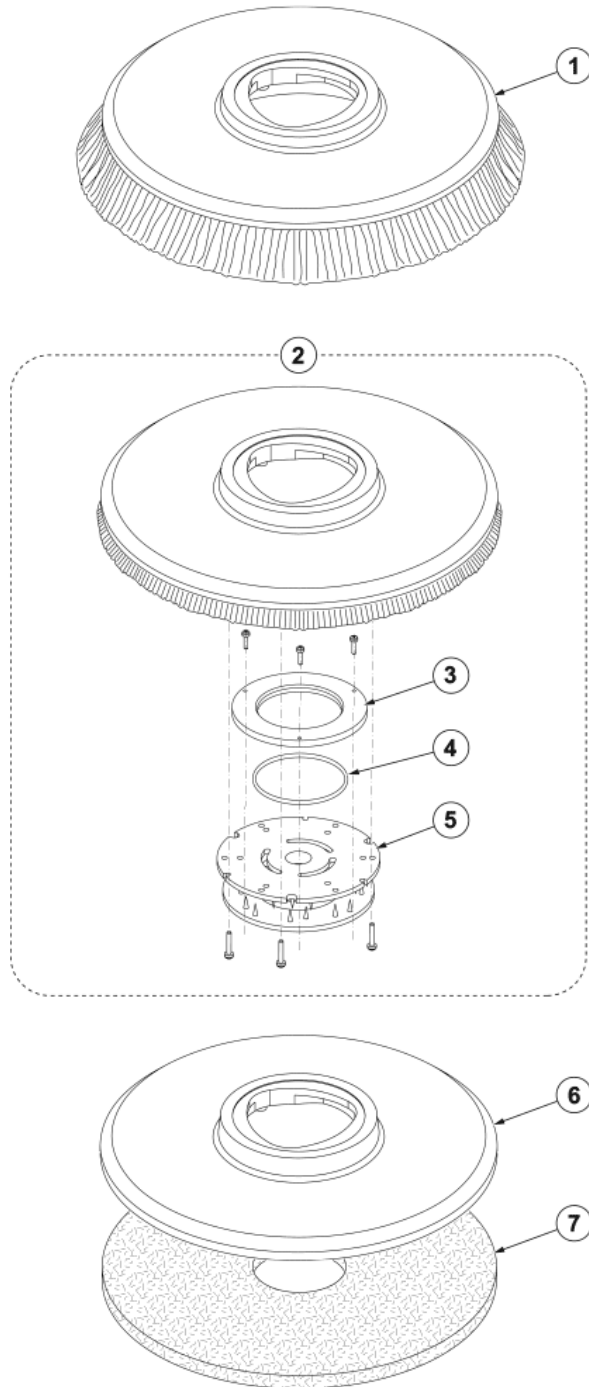
2017.12.06

---

Pos.	Product no	QTY	Description	Notes
1	9100001927	1	SPLASH GUARD W/BRISTLES F DECK 17 432MM	[1]
2	9100002280	1	MOP AND TRASH KIT	[1]

Part Notes:

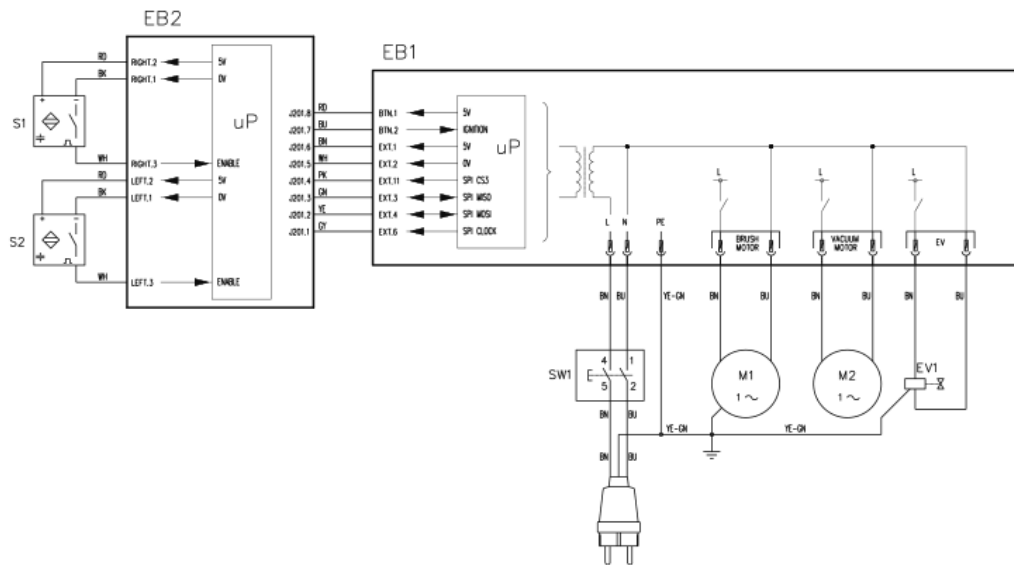
[1] - OPTIONAL



Pos.	Product no	QTY	Description	Notes
1	L08812891	1	BRUSH DISC 430MM 17 PROLENE BLUE	[1]
1	909 5691 000	1	BRUSH DISC 430MM 17 MIDLITE GRIT 180	[1]
1	909 5692 000	1	BRUSH DISC 430MM 17 MID GRIT 240	[1]
1	909 5693 000	1	BRUSH DISC 430MM 17 PROLITE	[1]
1	909 5694 000	1	BRUSH DISC 430MM 17 UNION MIX	[1]
2	9100001897	1	PAD HOLDER BRISTLE 17 430MM	[1]
3	L08603966	1	RING NYLON	
4	L08603965	1	O-RING 2.62X82.22 -3325-NBR 40SH	
5	56505195	1	PAD RETAINER	
6	9100002050	1	PAD HOLDER FLAT 17 432MM	[1]
7	10001936	1	PAD 17 432MM ECO WHITE 5PCS	[1]
7	10001937	1	PAD 17 432MM ECO TAN 5PCS	[1]
7	10001938	1	PAD 17 432MM ECO BLACK 5PCS	[1]
7	10001939	1	PAD 17 432MM ECO BLUE 5PCS	[1]
7	10001940	1	PAD 17 432MM ECO GREEN 5PCS	[1]
7	10001941	1	PAD 17 432MM ECO RED 5PCS	[1]
7	10002336	1	PAD 17 432MM ECO BRILLIANCE RED 2PCS	[1]
7	10002337	1	PAD 17 432MM ECO BRILLIANCE BLUE 2PCS	[1]
7	10002338	1	PAD 17 432MM ECO BRILLIANCE YELLOW 2PCS	[1]
7	10002339	1	PAD 17 432MM ECO BRILLIANCE GREEN 2PCS	[1]

Part Notes:

[1] - OPTIONAL



# PL WIRING DIAGRAM

SC401 43 E NIL

2017.11.02

2017.12.06

---

<b>Pos.</b>	<b>Product no</b>	<b>QTY</b>	<b>Description</b>	<b>Notes</b>
EB1	9100002519		CONTROLLER MAIN MACHINE CA SIP	
EB2	9100002514		CONTROLLER USER INTERFACE 230V SIP	
EV1	9099246000		SOLENOID VALVE 220-230V	
M1	9100002536		REDUCTION GEARMOTOR 750W 230V SIP	
M2	9100002552		VACUUM MOTOR 280W 230V SIP	
S1,S2	9100002016		SENSOR CAPACITIVE SIP	
SW1	9099357000		SWITCH DOUBLE-POLE	



# PL RECOMMENDED PARTS

SC401 43 E NIL

2017.11.02

2017.10.26

Pos.	Product no	QTY	Description	Notes
NW	9100002541	1	BLADE SQUEEGEE 700MM 28 GUM KIT	
NW	9100002542	1	BLADE SQUEEGEE 700MM 28 PU KIT	
NW	9100002543	1	BLADE SQUEEGEE 700MM 28 RED GUM KIT	
NW	9100002537	1	CAPACITOR ELECTRIC SIP	
OM	9100002431	1	HOSE FRESH WATER LEV. W/CAP KIT	
OM	909 6229 000	1	CABLE POWER SUPPLY EU L.20000MM	
OM	9100000703	1	HOSE FILLING SIP	
OM	9100002512	1	BAND ELASTIC F CABLE POWER SUPPLY SIP	
OM	9100002443	1	HOSE DRAIN BLACK L.530MM SIP	
OM	9100002444	1	HOSE SUCTION SQUEE. 90 BLACK L.970MM SIP	
OM	9100002447	1	GASKETS VAC. MOTOR KIT	
OM	9100002552	1	VACUUM MOTOR 280W 230V SIP	
OM	9100002462	2	WHEEL D.200X50 TPE BLACK/GREY SIP	
OM	9100000856	1	WHEEL CASTOR D.80X32 GALV. 2 PCS SET	
OM	9100002396	1	SLEEVE RUBBER BLACK F SUCTION HOSE SIP	
OM	9100000861	1	NET WATER FILTER REINFORCED SIP	
OM	9100002570	1	SQUEEGEE 700MM 28 PLAST. KIT	
OM	9100000862	1	KNOB LOBES M8 FEMALE SIP	
OM	9100000747	1	SQUEEGEE 700MM 28 PLAST. PRE-ASSEMB. SIP	
OM	9100000559	3	WHEEL D.51 GREY SIP	
OM	9100000864	1	STRAP REAR ELASTIC F SQUEE. 700MM 28 SIP	
OM	9100000865	1	STRAP FRONT PLAST. F SQUEE. 700MM 28 SIP	
OM	9100001816	1	WHEEL BUMPER D.100 PLASTIC 2 PCS SET	
OM	9099246000	1	SOLENOID VALVE 220-230V	
OM	9100000871	1	HUB BRUSH SIP	
OM	9100002536	1	REDUCTION GEARMOTOR 750W 230V SIP	
OM	9100001816	1	WHEEL BUMPER D.100 PLASTIC 2 PCS SET	
EOM	9100002513	1	HARNES VACUUM MOTOR 230V SIP	
EOM	9100002461	1	PEDAL BRUSH LIFTING GALV. SIP	
EOM	9100002463	1	SHAFT WHEELS PHOS. SIP	
EOM	9100002467	1	COVER PLAST. F HANDLE BAR SIP	[1]
EOM	9100002016	2	SENSOR CAPACITIVE SIP	
EOM	9100002468	1	HARNES DASHBOARD SIP	
EOM	9100002469	2	HARNES HANDLE BAR SENSORS SIP	
EOM	9100002514	1	CONTROLLER USER INTERFACE 230V SIP	
EOM	9100002554	1	FRAME PLAST. F HANDLE BAR SIP	
EOM	9100002473	1	SUPPORT ALU F REAR WHEELS-SQUEEGEE SIP	
EOM	9100002400	1	SUPPORT UPPER F SQUEEGEE KIT	
EOM	9100002401	1	SPRING COMPRESSION KIT	
EOM	9100000803	1	VALVE ELBOW SIP	
EOM	9100002474	1	HOSE PVC W/SPIRAL D.12X18 L.100MM SIP	
EOM	9100000860	1	FILTER WATER SIP	
EOM	9100002483	1	KNOB BRUSH SPEED ADJUSTM. KIT	
EOM	9100002479	1	HOSE PVC W/SPIRAL D.12X18 L.330MM SIP	
EOM	9100002480	1	HOSE PVC W/SPIRAL D.12X18 L.800MM SIP	
EOM	9100002477	1	DECK BRUSH 430MM/17 PLAST. SIP	
EOM	9100002515	1	HARNES SOLENOID VALVE 230V SIP	
EOM	9100002539	1	HARNES BRUSH MOTOR SIP	
EOM	9100002519	1	CONTROLLER MAIN MACHINE CA SIP	
EOM	9100002517	1	HARNES ELECT.COMP. BOX CA SIP	

**Part Notes:**

[1] - TSB-FC-2020-012



