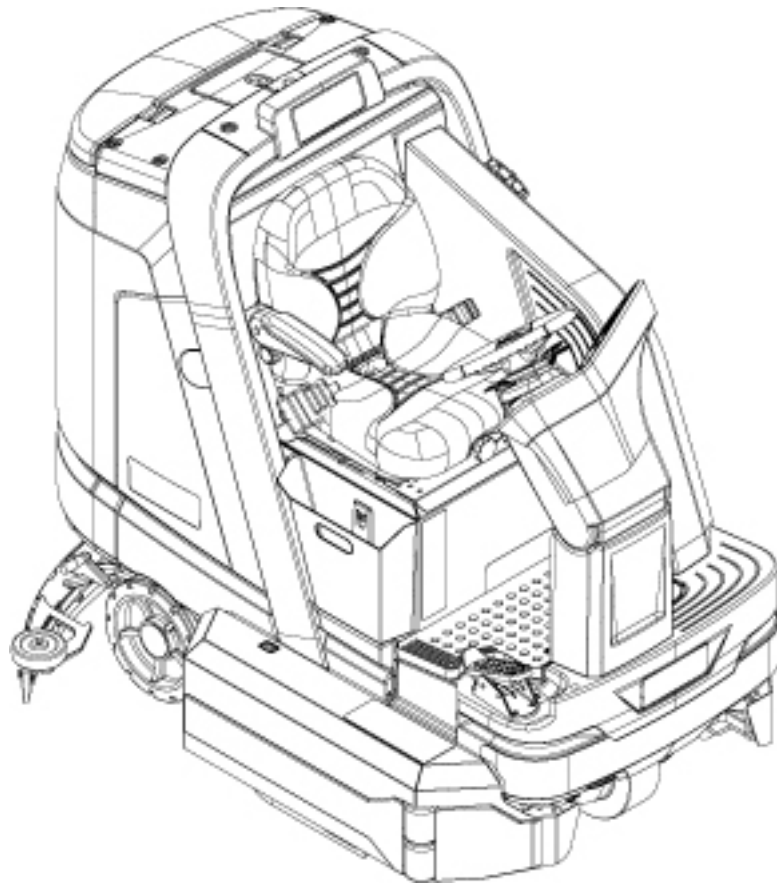


PARTS LIST



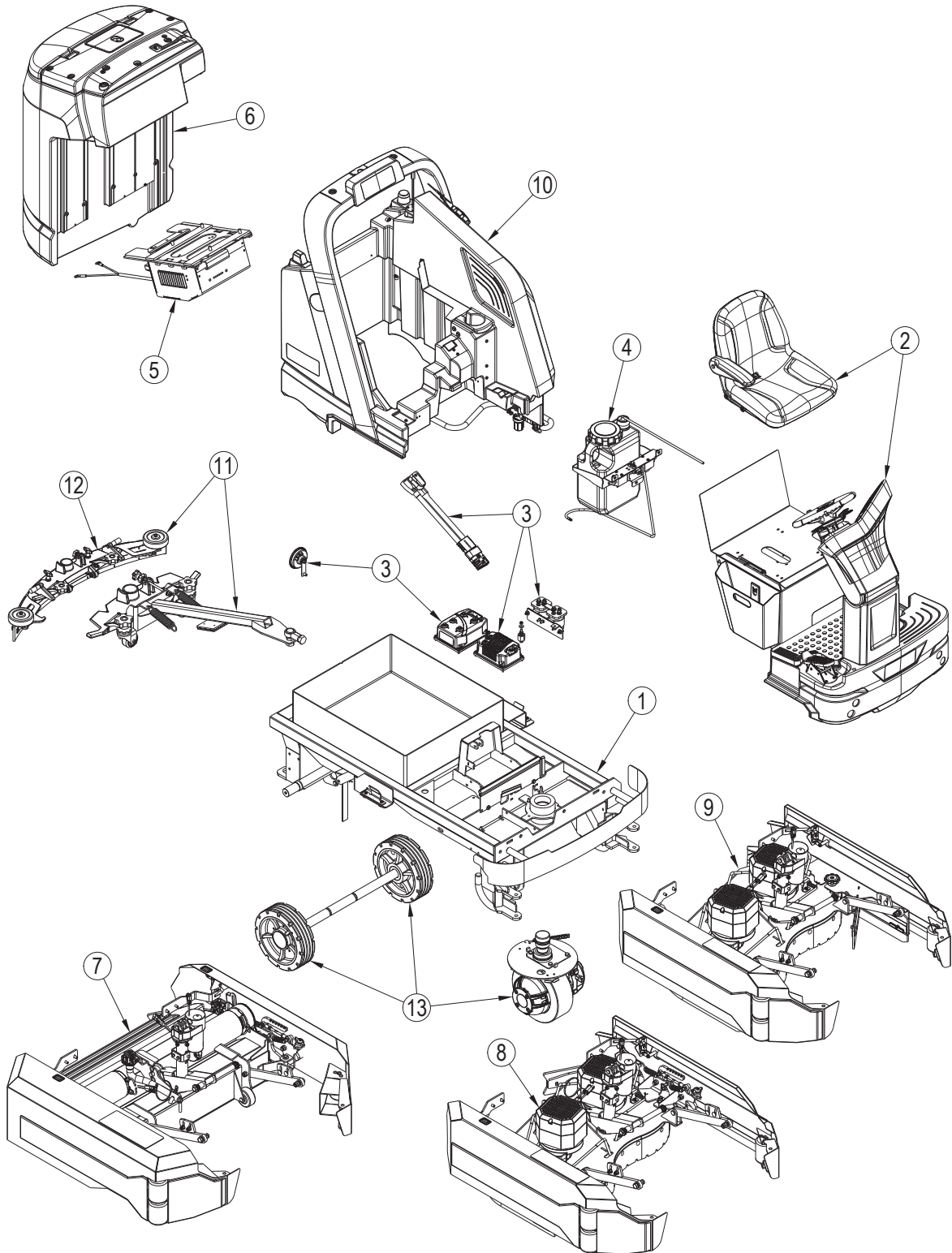
2020.11.20

TABLE OF CONTENTS

General View	1
Chassis System	3
Control System After Serial Number 3510173102366	5
Control System Before Serial Number 3510173102367	8
Control System-Upper Column Assembly	11
Control System-Lower Column Assembly	14
Decal System	16
Electrical System	18
EcoFlex Assembly	21
Onboard-Charger-Assembly	23
Recovery System	25
Scrub System-Cylindrical	28
Scrub System-Cylindrical-Deck Assembly	30
Scrub System-Cylindrical-Left Side Blade Assembly	34
Scrub System-Cylindrical-Right Side Blade Assembly	37
Scrub System-Cylindrical-Right Door Assembly	39
Scrub System-Left Door Assembly	41
Scrub System-Disc	43
Scrub System-Disc-Deck Assembly	45
Scrub System-Disc-Left Side Blade Assembly	48
Scrub System-Disc-Right Side Blade Assembly	50
Scrub System-Fixed Skirt Disc	52
Scrub System-Fixed Skirt Disc-Deck Assembly	54
Scrub System-Fixed Skirt Disc-Right Side Blade Assembly	57
Solution System	59
Scrub System-Fixed Skirt Disc-Left Side Blade Assembly	61
Squeegee System	63
Squeegee System-Squeegee Assy K-910C & 1050D	65
Wheel System	67
Euro System	70
Ladder Diagram-1	72
Ladder Diagram-2	74
Ladder Diagram-3	76
Options & Accessories	78
Recommended Spare Parts	81
Recommended Spare Parts 2	84
56118196 USB READER KIT	86
56116152 OVERHEAD GUARD KIT	88
56116280 SIDE SWEEP KIT	90
56116351 BACKUP ALARM KIT	92
56116352 BEACON KIT	94
56116355 VAC WAND KIT	96
56116358 SOLUTION AUTOFILL KIT	98
56116359 HEAVY DUTY FRONT BUMPER KIT	100

TABLE OF CONTENTS

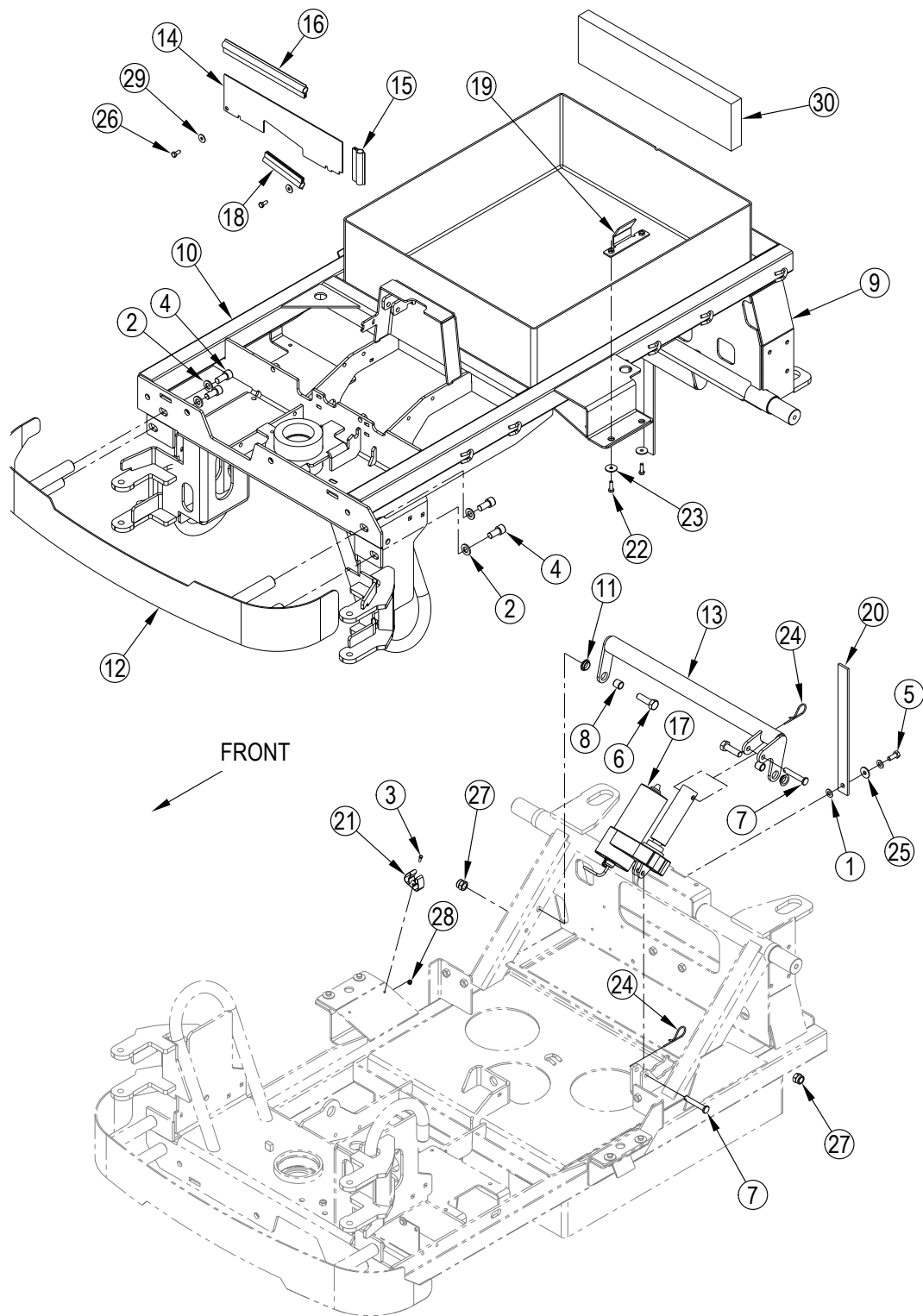
56116361 SQUEEGEE GUARD KIT	102
56116364 FOOT GUARD KIT	104
56116370 DUAL VACUUM MOTOR KIT	106
56116371 HEADLIGHT KIT	108
56116512 WASH HOSE KIT	110
56116513 DUST GUARD KIT	112
56116517 ECOFLEX KIT	114
56116576 WEIGHT KIT	116
56116600 STANDARD SEAT KIT	118
56116614 BATTERY WATERING KIT	120
56116619 MOP HOLDER KIT	122
56116627 ONBOARD CHARGER KIT-EUROPE	124
56116731 TRACKCLEAN SC6000 KIT	126
56116856 USB KIT	128
56118127 SCRUB DECK KIT	130
56118180 - SC6000 Traction Harness Kit	132
56383455 - SEAT BELT KIT	134



Pos.	Product no	QTY	Description	Notes
1		1	Chassis System	[1]
2		1	Control System	[2]
3		1	Electrical System	[3]
4		1	Ecoflex™ Assembly	[4]
5		1	Onboard-Charger-Assembly	[5]
6		1	Recovery System	[6]
7		1	Scrub System-Cylindrical	[7]
8		1	Scrub System-Disc	[8]
9		1	Scrub System-Fixed Skirt Disc	
10		1	Solution System	[9]
11		1	Squeegee System	[10]
12		1	Squeegee Assy	[11]
13		1	Wheel System	[12]

Part Notes:

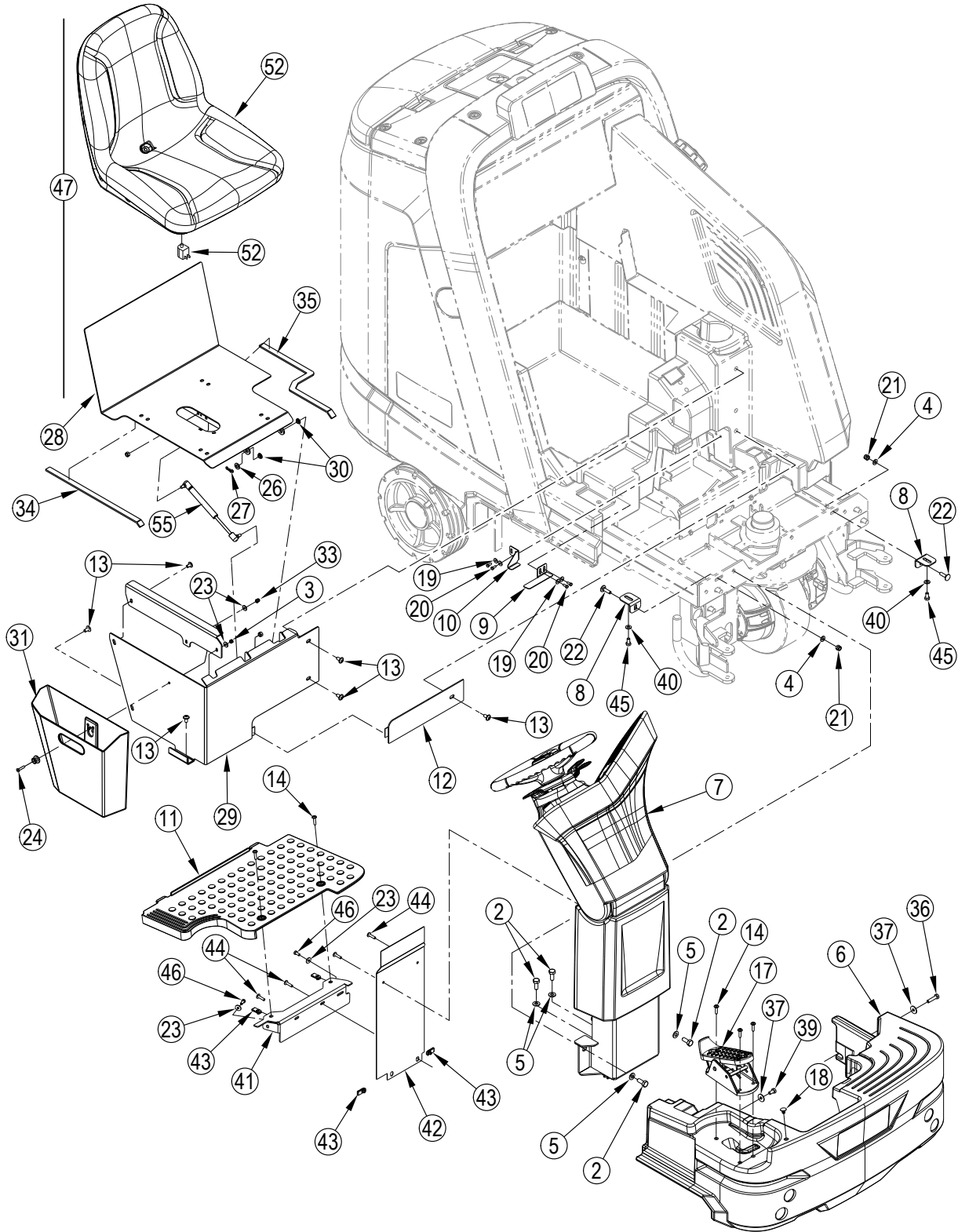
- [1] - Chassis System
- [2] - Control System
- [3] - Electrical System
- [4] - EcoFlex Assembly
- [5] - Onboard-Charger-Assembly
- [6] - Recovery System
- [7] - Scrub System-Cylindrical
- [8] - Scrub System-Disc
- [9] - Solution System
- [10] - Squeegee System
- [11] - Squeegee System-Squeegee Assy J-860Dand Squeegee System-Squeegee Assy K-910C 1050D
- [12] - Wheel System



Pos.	Product no	QTY	Description	Notes
1		2	Washer M8	[1]
2		4	Washer, Flat 13x24	[2]
3		1	Screw M4x12 Hex Hd F/Thd	[3]
4		4	Screw Soc. Hd M12x25	[2]
5		1	Screw M8x20 Hex Hd F/Thd	[1]
6		2	Scr M12x40 Hex 10.9 Iso4017	[3]
7		2	Pin-Clevis .375 X 2.25	[4]
8		2	Bushing-12.5x16x14.48mm	[3]
9	56116171	1	TRAY-BATTERY	
10	56116177	1	CHASSIS WELDMENT	
11		2	Bearing-Flange-16x18x6mm	[3]
12		1	Bumper Weldment	[2]
13	56116501	1	LIFT ARM WELDMENT-SQUEEGEE	
14		1	Panel-Electrical Wall	[5]
15		1	Edge Trim	[5]
16		1	Edge Trim	[5]
17	56116781	1	ACTUATOR-SQUEEGEE	
18		1	Trim Seal	[5]
19	56116930	2	BRACKET-CROSSBAR MOUNT	
20		1	Strap,Static, 12.5"	[1]
21	56601598	1	HOSE CLIP	
22		4	Screw M6x20 Hex Hd F/Thd Ss ISO4017	[3]
23		4	Washer Flat XI 6.6x24.0x2.0 SS	[3]
24		2	Hair Pin Cotter A2,5	[4]
25		1	Washer 8x24x2 Uni6593 SS	[1]
26		2	Screw M6x14 Hex Hd F/Thd SS	[6]
27		2	Nut, Hex Nyl Loc M12 S.S.	[3]
28		1	Nut, Hex Nyl Loc Thin M4 SS	[3]
29		2	Washer Flat XI 6x18x1.5 – SS	[6]
30	56601708	1	BATTERY SPACER	[7]
			Service Kits	
K1	56116872	1	BUMPER KIT	
K2	56116873	1	HARDWARE KIT-CHASSIS	
K3	56118038	1	HARDWARE KIT-ACTUATOR	
K4	56118047	1	PANEL KIT- ELECTRICAL WALL	
K5	56116874	1	STATIC STRAP KIT	

Part Notes:

- [1] - K5
- [2] - K1
- [3] - K2
- [4] - K3
- [5] - K4
- [6] - K2,K4
- [7] - NOT FOR EU



Pos.	Product no	QTY	Description	Notes
2		4	Screw M10x25 Hex Hd F/Thd	[1]
3		2	Nut Hex Nyl Loc Thin M6 SS	[2]
4		2	Washer, Flat 8.4x16x1.6	[3]
5		4	Washer, Flat 10,5x21	[1]
6	56116088	1	TANK-FRONT FLOOR	
7		1	Steering Column Assembly	[1]
8		2	Bracket-Mounting	[3]
9		1	Clip-Floor Plate-Right	[4]
10		1	Clip-Floor Plate-Left	[4]
11	56116779	1	FLOOR PANEL ASSEMBLY	
12	56116792	1	ACTUATOR PANEL WELDMENT	
13		6	Screw M8x16 Iso7380-2 Flg Blk ZN	[2]
14		5	Screw M6x20 Iso7380-2 Flg Blk ZN	[3]
17	56118157	1	FOOT PEDAL ASSEMBLY	
18		1	Clip, Panel	[3]
19		4	Washer Flat XI 5.5x15.0x1.6 Ss	[4]
20		4	Screw M5x12 Hex Hd F/Thd	[4]
21		2	Nut, Hex Nyl Loc M8 Ss	[3]
22		2	Screw M8x30 Carriage	[3]
23		6	Washer Plain M6x18 Ss	[5]
24		1	Screw Flat Socket Head M6x30.0	[2]
26		1	Washer, Flat 10,5x21	[2]
27		1	Pin- Bow-Tie Cotter 1/4x 3/8	[2]
28	56118150	1	SEAT MOUNT WELDMENT	
29	56118148	1	SEAT MOUNT WELDMENT	
30		2	Bearing-Flange-10x12x5mm	[2]
31	56116748	1	WASTE BINWaste Bin-Seat Mount	
32	56118149	1	BRACKET-SEAT	
33		1	Nut, Cap M6 Uni 5721	[2]
34	56116849	1	GASKET-ADHESIVE-5X20X450MMGasket-Adhesive 5x20x450mm	
35	56116850	1	GASKET-ADHESIVE 5X20X550MM	
36		1	Screw M8x35 Hex Hd F/Thd Ss	[3]
37		2	Washer 8x24x2 Uni6593 Ss	[3]
38		1	Lug, Brush Driver	[2]
39		1	Screw M8x16 Hex Hd F/Thd Ss	[3]
40		2	Washer, Flat 8.4x16x1.6	[3]
41	56116642	1	BRACKET-FLOOR PLATE	
42	56116747	1	COVER-STEERING COLUMN	
43		4	U-Nut-Long M6	[6]
44		4	Screw M6x20 Iso7380-2 Flg Blk ZN	[6]
45		2	Screw M8x16 Hex Hd F/Thd Ss	[3]
46		2	Screw M6x14 Hex Hd F/Thd Ss	[3]
47	56116600	1	SEAT KIT-STANDARD	
52	56383292	1	SEAT-11.25 IN. MOUNT	
55	56118099	1	SPRING-GAS	[7]
			Service Kits	
K3	56116901	1	HARDWARE KIT-FLOOR TANK	
K4	56116903	1	HARDWARE KIT-FLOOR PLATE	
K7	56118168	1	HARDWARE KIT-LOWER COLUMN	
K8	56118051	1	PROP ROD KIT	[8]
K9	56116915	1	HARDWARE KIT-SEAL AREAHardware Kit-Seat Area	
K10	56118147	1	Duluxe Seat Kit No Prop	[9]

Part Notes:

- [1] - K7
- [2] - K9
- [3] - K3
- [4] - K4
- [5] - K3,K8

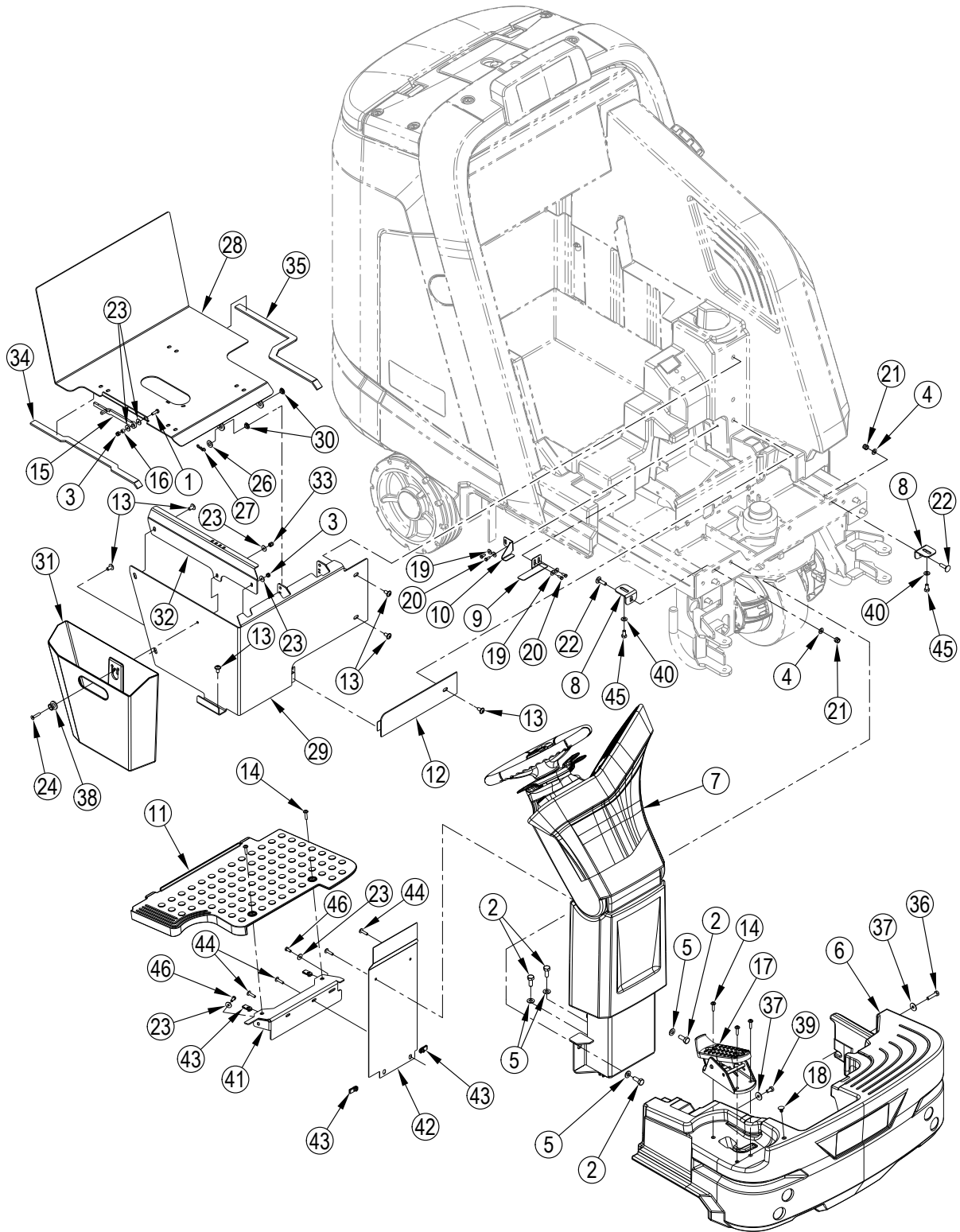
[6] - K4,K7

[7] - The Gas Spring is standard in machines built after Serial Number 3510173102366

[8] - ECO A-12709

The Prop Rod Kit is not used in machines built after Serial Number 3510173102366

[9] - The Deluxe Seat Kit 56118147-No Prop Rod is used only on machines built after Serial Number 3510173102366



Pos.	Product no	QTY	Description	Notes
	56118162	1	HARDWARE KIT-CONTROL SYSTEM	[1]
1		1	Screw Hex Hd Uni-5739 M6x20	[2]
2		4	Screw M10x25 Hex Hd F/Thd	[3]
3		1	Nut Hex Nyl Loc Hvy M6	[2]
4		2	Washer, Flat 8.4x16x1.6	[4]
5		4	Washer, Flat 10,5x21	[3]
6	56116088	1	TANK-FRONT FLOOR	
7		1	Steering Column Assembly	
8		2	Bracket-Mounting	[3]
9		1	Clip-Floor Plate-Right	[5]
10		1	Clip-Floor Plate-Left	[5]
11	56116779	1	FLOOR PANEL ASSEMBLY	
12	56116792	1	ACTUATOR PANEL WELDMENT	
13		6	Screw M8x16 Iso7380 Flange Blk	[1]
14		5	Screw M6x25 Iso7380 Flange Blk	[6]
15		1	Bar-Seat Prop	[7]
16		1	Bushing-.256x.393x.265in	[2]
17	56118157	1	FOOT PEDAL ASSEMBLY	[8]
18		1	Clip, Panel	[3]
19		4	Washer Flat XI 5.5x15.0x1.6 Ss	[5]
20		4	Screw M5x12 Hex Hd F/Thd	[5]
21		2	Nut, Hex Nyl Loc M8 Ss	[3]
22		2	Screw M8x30 Carriage	[3]
23		4	Washer Flat XI 6x18x1.5 - Ss	[3]
24		1	Screw Flat Socket Head M6x30.0	[9]
25		1	Nut, Hex Nyl Loc Thin M6 Ss	[9]
26		1	Washer, Flat 10,5x21	[9]
27		1	Pin- Bow-Tie Cotter 1/4 - 3/8	[9]
28	56116538	1	SEAT MOUNT WELDMENT	[10]
29	56116656	1	SEAT MOUNT WELDMENT	[10]
30		2	Bearing-Flange-10x12x5mm	[9]
31	56116748	1	WASTE BIN	
32	56116791	1	BRACKET-SEAT	[10]
33		1	Nut, Cap M6 Uni 5721	[9]
34	56116849	1	GASKET-ADHESIVE-5X20X450MM	
35	56116850	1	GASKET-ADHESIVE 5X20X550MM	
36		1	Screw M8x35 Hex Hd F/Thd Ss	[3]
37		2	Washer 8x24x2 Uni6593 Ss	[3]
38		1	Lug, Brush Driver	[9]
39		1	Screw M8x16 Hex Hd F/Thd Ss	[3]
40		2	Washer, Flat 8.4x16x1.6	[3]
41	56116642	1	BRACKET-FLOOR PLATE	
42	56116747	1	COVER-STEERING COLUMN	
43		4	U-Nut-Long M6	[11]
44		4	Screw M6x25 Iso7380 Flange Blk	[12]
45		2	Screw M8x16 Hex Hd F/Thd Ss	[3]
46		2	Screw M6x14 Hex Hd F/Thd Ss	[3]
			Service Kits	
K3	56116901	1	HARDWARE KIT-FLOOR TANK	
K4	56116903	1	HARDWARE KIT-FLOOR PLATE	
K7	56118168	1	HARDWARE KIT-LOWER COLUMN	[13]
K8	56118051	1	PROP ROD KIT	[14]
K9	56116915	1	HARDWARE KIT-SEAL AREA	
K10	56116366	1	DELUXE SEAT KIT	[15]

Part Notes:

- [1] - TSB-FC-2017-044 SC6000 Corrosion on fasteners
DE TSB-FC-2017-044 SC6000 Korrosion der Befestigungsschrauben
- [2] - K8

- [3] - K7
- [4] - K3
- [5] - K4
- [6] - K7

TSB-FC-2017-044 SC6000 Corrosion on fasteners

DE TSB-FC-2017-044 SC6000 Korrosion der Befestigungsschrauben

- [7] - K8

The Prop Rod Kit is only used in machines built before Serial Number 3510173102367.

- [8] - TSB-FC-2017-053 Abnormal acceleration or deceleration

DE TSB-FC-2017-053 neues Fahrpedal mit Justierscheibe

- [9] - K9
- [10] - STOCK COVERS GUARANTEE
- [11] - K4,K7
- [12] - K4,K7

TSB-FC-2017-044 SC6000 Corrosion on fasteners

DE TSB-FC-2017-044 SC6000 Korrosion der Befestigungsschrauben

- [13] - TSB-FC-2017-065 SC6000 Tile steering bracket bolts loosening

DE TSB-FC-2017-065 SC6000 Befestigungsschrauben an Lenkjustierung locker

Implementation Shipping Date: November 1, 2017

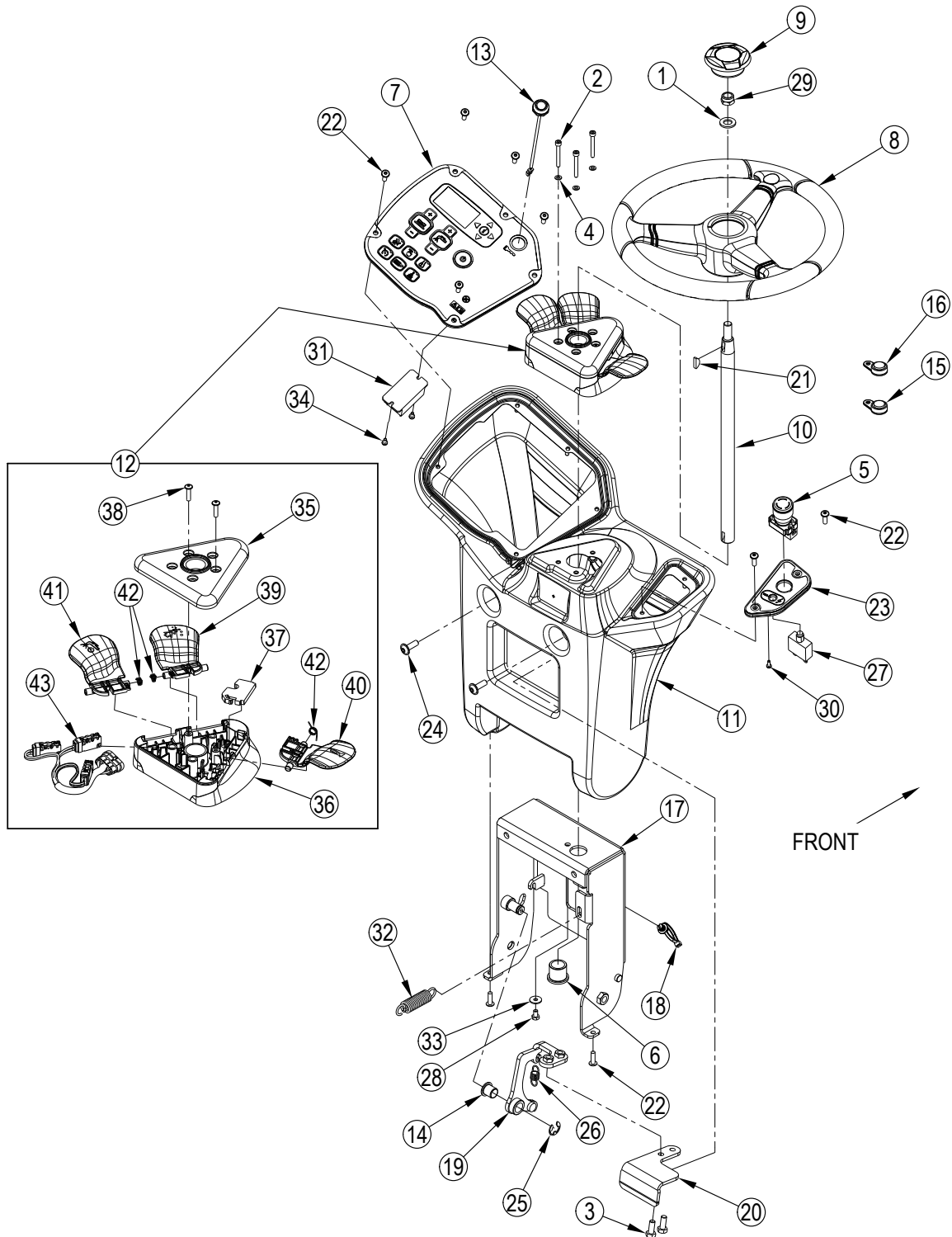
Serial Number: 3510173404068

includes the 3 lock washers, 3 plain washers and 3 screws

- [14] - ECO A-12709

The Prop Rod Kit is only used in machines built before Serial Number 3510173102367.

- [15] - The optional Deluxe Seat Kit 56116366 is for machines built before Serial Number 3510173102367 and contains a Gas Spring.



Pos.	Product no	QTY	Description	Notes
1		1	Washer, Flat 13x24	[1]
2		3	Screw Soc. Hd M5x40	[2]
3		2	Screw M8x20 Hex Hd F/Thd	[3]
4		3	Washer, Flat 5,3x10	[2]
5	56104247	1	DISCONNECT-EMERGENCY	
6	56104407	1	BEARING -FLANGE	
7	56118166	1	PCB BOX ASSEMBLY	[4]
	56118170	1	MEMBRANE PANEL ASSEMBLY	[5]
8	56116102	1	WHEEL-STEERING	
9	56116122	1	CAP-STEERING WHEEL	
10	56116165	1	SHAFT-STEERING-UPPER 20MM	
11	56116312	1	SHROUD-STEERING COLUMN-UPPER	
12		1	Paddle Assembly	
13	56116477	1	IBUTTON-PROBE	
14		1	Bearing-Flange-14x16x17mm	[3]
15	56116518	1	SMART KEY-USER	
16	56116519	1	SMART KEY-SUPERVISOR	
17	56116580	1	STEERING COLUMN WELDMENT-UPPER	
18		1	Cable Tie Mount	[1]
19		1	Lever Weldment-Tilt	[3]
20		1	Handle-Tilt Lever	[3]
21		1	Key-Wdf 5x7.5x19 Uni6606	[1]
22		9	Screw M6x20 Wn1451 Black Zn	[1]
23	56116802	1	MOUNTING PANEL-E-STOP BREAKER	
24		2	Screw M8x25 Iso7380 Flange Blk	[6]
25		1	Washer-Retaining 12mm Din6799	
26		1	Spring-Extension-0.50x1.25in	
27	56507644	1	CIRCUIT BREAKER 10 AMP	
28		1	Screw M6x10 Hex Hd F/Thd Ss	[1]
29		1	Nut, Hex Nyl Loc Thin M12	[1]
30		1	Scr, Pan Phil M3.5x10	[1]
31	40892A	1	RELAY DPDT 36VDC	
32	56116846	1	SPRING-EXTENSION 0.75X3.00IN	
33		1	Washer Flat XI 6x18x1.5	[1]
34		2	Scr, Pan Phil M4x10	[1]
35		1	Housing-Paddle-Cover	[2]
36		1	Housing-Paddle	[2]
37		1	Plate-Blank-Paddle	[2]
38		2	Screw M5x20 Wn1451 Black Zn	[2]
39		1	Paddle-Boost Of Power	[7]
40		1	Paddle-Horn	[7]
41		1	Paddle-Solution	[7]
42		3	Spring-Torsion .33in-135deg	[7]
43	56116529	1	HARNES-PADDLE	
			Service Kits	
K1	56116913	1	PADDLE KIT	
K2	56116914	1	PADDLE HOUSING KIT	
K6	56118052	1	HARDWARE KIT-UPPER COLUMN	
K10	56118066	1	COLUMN TILT KIT	

Part Notes:

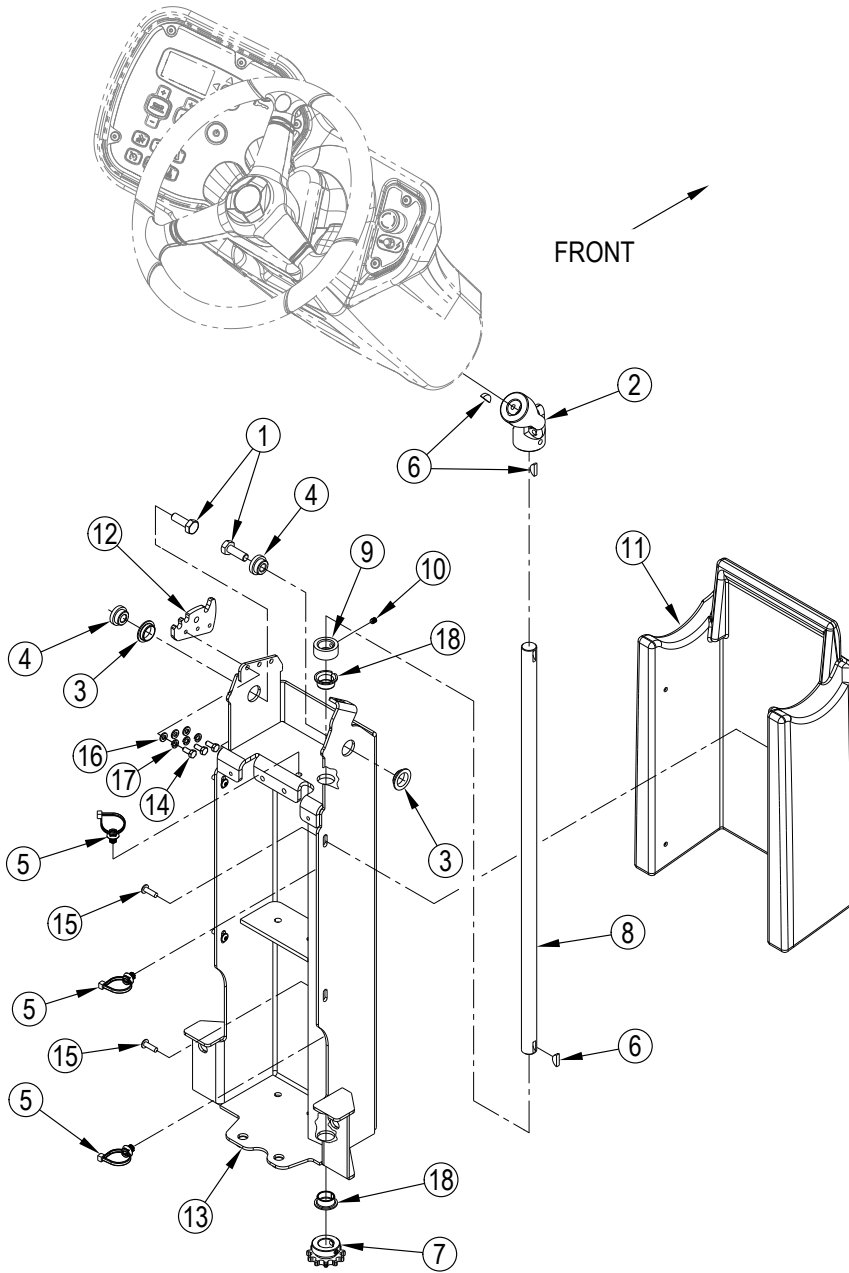
- [1] - K6
- [2] - K2
- [3] - K10
- [4] - TSB-FC-2019-040 SC6000 Main Controller Firmware Update (2)
DE TSB-FC-2019-040 SC6000 Neue Hauptcontroller Firmware Update
- [5] - EU BUY 56118166 FROM SZI

[6] - K6

TSB-FC-2017-044 SC6000 Corrosion on fasteners

DE TSB-FC-2017-044 SC6000 Korrosion der Befestigungsschrauben

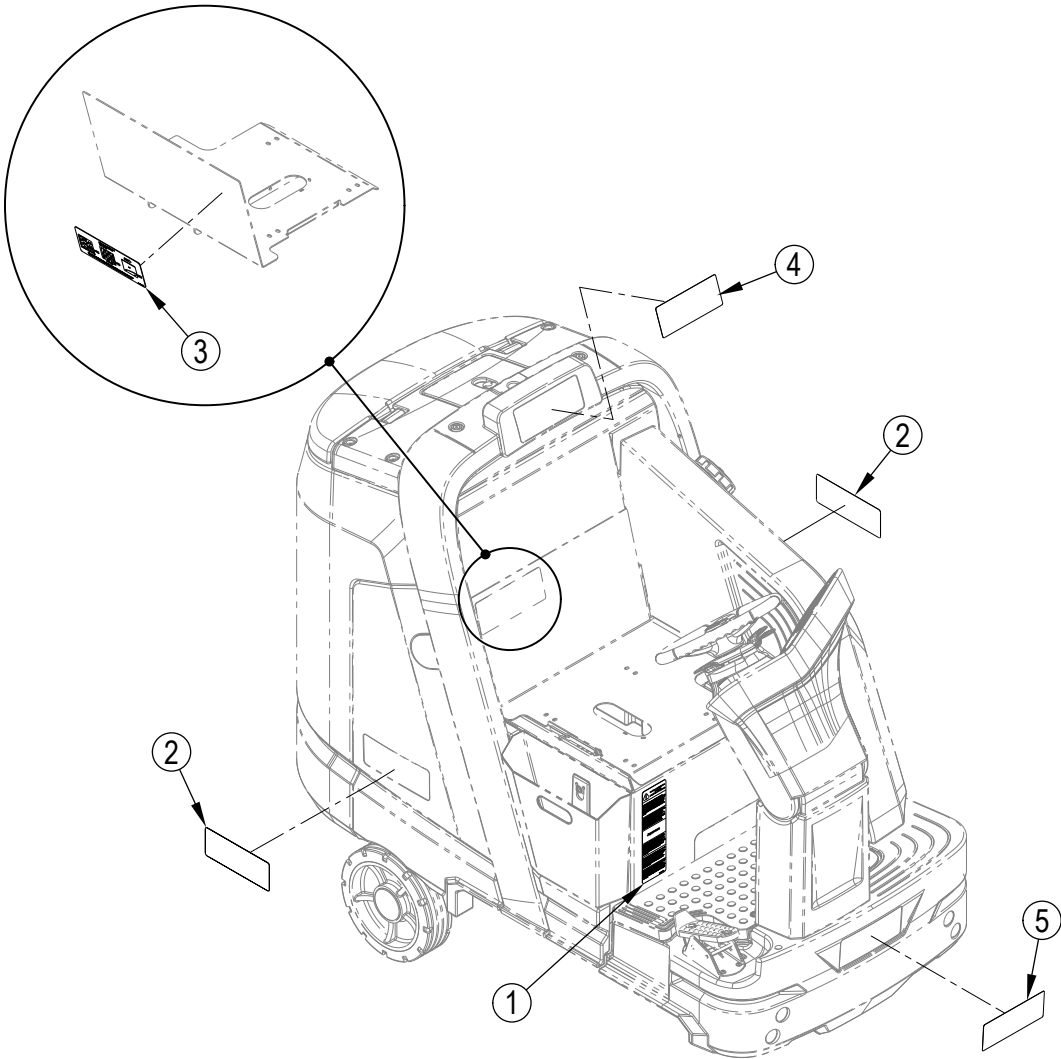
[7] - K1



Pos.	Product no	QTY	Description	Notes
1		2	Screw M10x30 Hex Hd F/Thd ISO417	[1]
2	56116169	1	UNIVERSAL JOINT 20MM	
3		2	Bearing-Flange-20x23x7mm	[1]
4		3	Bushing-Flange-10x20x12mm	[2]
5		3	Cable Tie Mount	[2]
6		3	Key-Wdf 5x7.5x19 Uni6606	[1]
7	56104269	1	SPROCKET-11 TOOTH	
8	56116163	1	SHAFT-STEERING-LOWER-20MM	
9		1	Collar-Shaft-20x32x14mm	[3]
10		1	Screw M6x1.0x10 Soc.Set Cylindrical	[3]
11	56116278	1	SHROUD-STEERING COLUMN-LOWER	
12	56116323	1	PLATE-TILT ADJUSTMENT	[4]
13	56116570	1	STEERING COLUMN WELDMENT-LOWER	
14		3	Screw M6x14 Hex Hd F/Thd ISO4017	[5]
15		4	Screw M6x20 Wn1451 Black Zn	[3]
16	33023396	3	WASHER PLAIN M6X12 ISO7089 10 PCS SET	
17	33005851	3	WASHER SPRING LOCK M6 DIN127-B	
18		2	Bearing-Flange-20x23x12-Bronze	[3]
			Service Kits	
K5	56116904	1	HARDWARE KIT-COLUMN	
K7	56118168	1	HARDWARE KIT-LOWER COLUMN	[4]

Part Notes:

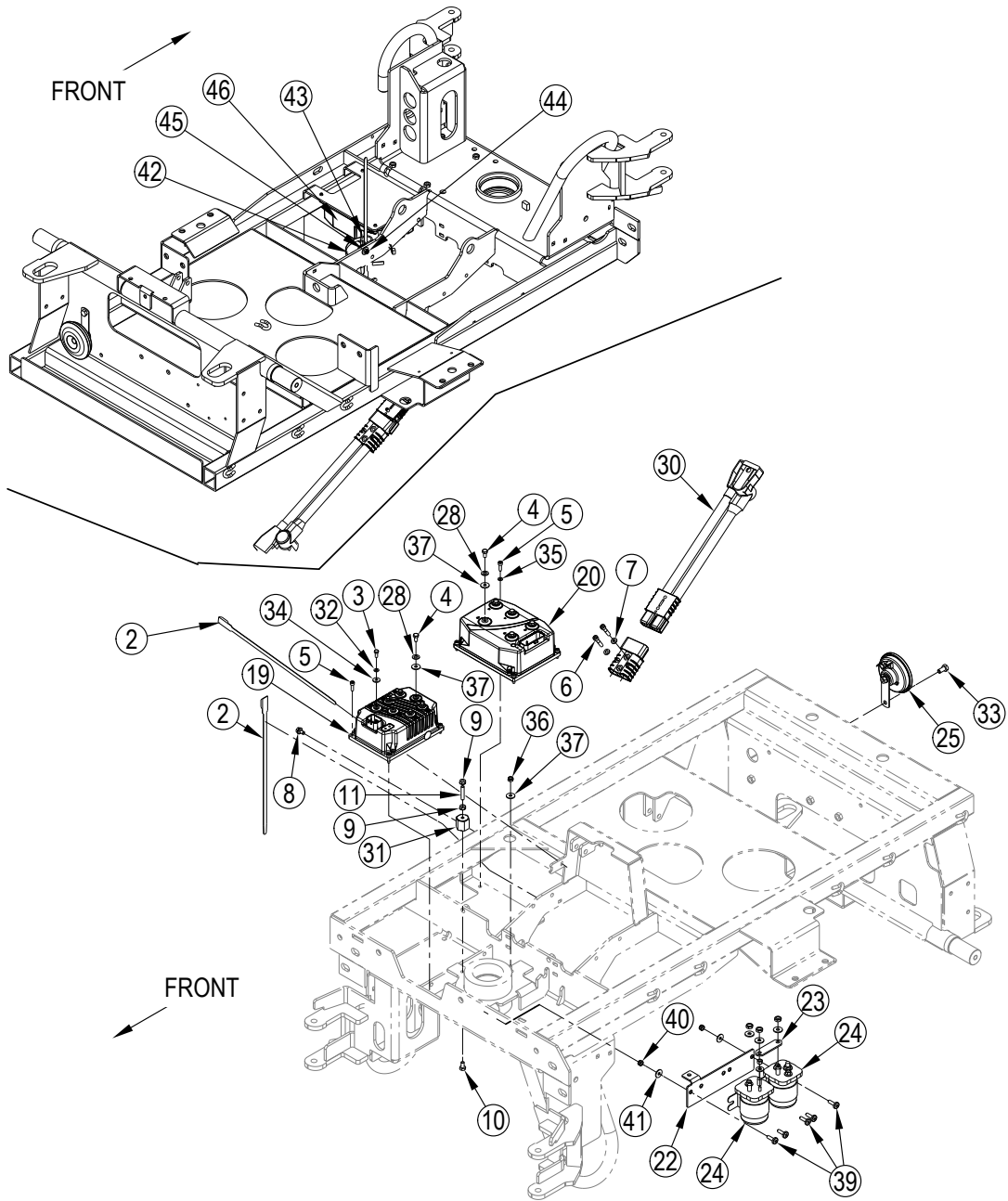
- [1] - K5, K7
- [2] - K5
- [3] - K7
- [4] - TSB-FC-2017-065 SC6000 Tile steering bracket bolts loosening
DE TSB-FC-2017-065 SC6000 Befestigungsschrauben an Lenkjustierung locker
- Implementation Shipping Date: November 1, 2017
Serial Number: 3510173404068
includes the 3 lock washers, 3 plain washers and 3 screws
- [5] - K7
- TSB-FC-2017-065 SC6000 Tile steering bracket bolts loosening
DE TSB-FC-2017-065 SC6000 Befestigungsschrauben an Lenkjustierung locker



Pos.	Product no	QTY	Description	Notes
1		1	Decal, Caution	[1]
2		2	Decal-SC6000	[1]
2		2	Decal-SC6000-Ecoflex	[1]
3		1	Decal-Battery Wiring 36v	[1]
4		1	Decal Rectangular	[1]
5	1463789000	1	DECAL NILFISK 210X83MM F LIGHT GREY SURF	[1]
			Service Kits	
K1	56118069	1	DECAL KIT-EMEA	
K1	56118068	1	DECAL KIT-AMERICAS	[2]

Part Notes:

- [1] - K1
- [2] - ONLY Advance



Pos.	Product no	QTY	Description	Notes
1		29	Clamp 290x4.8	[1]
2		2	Clamp 9x350	[1]
3		5	Screw M5x12 Hex Hd F/Thd	[2]
4		7	Screw M6x12 Hex Hd F/Thd	[2]
5		8	Screw Soc. Hd M5x16 Ss	[2]
6		2	Screw Soc. Hd M6x30	[1]
7		2	Washer, Flat 6,4x12,5	[1]
8		1	Screw Thread Rolling M6x12	[1]
9		2	Nut, Hex W/ Shprf 1/4-20	[3]
10		1	Scr- Hex Ss 1/4-20 X .50	[3]
11		1	Stud, 1/4-20	[3]
12	56116050	1	HARNES-MAIN	[4]
	56115432	1	FUSE-150 AMP	[4]
13		1	HARNES-TRACTION	[5]
14	56116061	1	CABLE-SPEED CONTROLLER-RED	[4]
15	56116062	1	CABLE-SPEED CONTROLLER-BLACK	[4]
16	56116063	1	CABLE-POWER MODULE-RED	[4]
17	56116064	1	CABLE-POWER MODULE-BLACK	[4]
18	56116065	1	HARNES-MACHINE POWER	[4]
19	56116087	1	MODULE-HIGH POWER	[6]
20	56116131	1	SPEED CONTROL	
21		1	Contacto Assembly	[7]
22	56116300	1	PLATE-CONTACTOR MOUNTING	[8]
23	56116345	1	BUS BAR-CONTACTOR	[8]
24	56303198	2	CONTACTOR 36V TYPE 4	[8]
25	56116375	1	HORN-36V	
26	56116396	1	HARNES-VACUUM FLOAT	[4]
27		7	Cable Tie Mount	[1]
28		7	Washer Int Lock M6 Din6798jss	[2]
29	56116909	1	HARNES-SEAT SWITCH	[4]
30	56116977	1	HARNES ASSEMBLY-BATTERY	
31		1	Electrical Mount	[3]
32		5	Washer, Ext. Shprf Ø 5 Ss	[2]
33		1	Screw M8x16 Hex Hd F/Thd Ss	[1]
34		5	Washer Flat XI 5.5x15.0x1.6ss	[2]
35	L08241500	4	WASHER PLAIN M5X10 SS ISO7089	
36		1	Nut, Hex Nyl Loc Thin M6ss	[1]
37		8	Washer Flat XI 6x18x1.5 -Ss	[9]
38		15	Tie, Cable 4.8x430	[1]
39		5	Scr, Pan Phil M6x20	[8]
40		2	Nut, Hex Nyl Loc Thin M6 Ss	[8]
41		2	Washer Flat XI 6x18x1.5 - Ss	[8]
42	56477613	1	CABLE TIE E00549 RE409S+	
43	56496276	1	CLAMP HOSE SUPPORT	
44	L08603682	2	NUT LOCK HEX M6 LOW SS ISO10511	
45		1	Screw, M5 x 20, Hex Head F/THD SS ISO4017	
46	L08603689	10	WASHER PLAIN M6X18 SS ISO7093	
			Service Kits	
K1	56118049	1	ELECTRICAL MOUNT KIT	
K3	56116926	1	HARDWARE KIT-CONTROLLERS	
K2	56116992	1	HARDWARE KIT-ELECTRICAL	
K4	56116993	1	HARDWARE KIT-CONTACTOR ASSY	
K5	56118180	1	TRACTION HARNES KIT	[10]

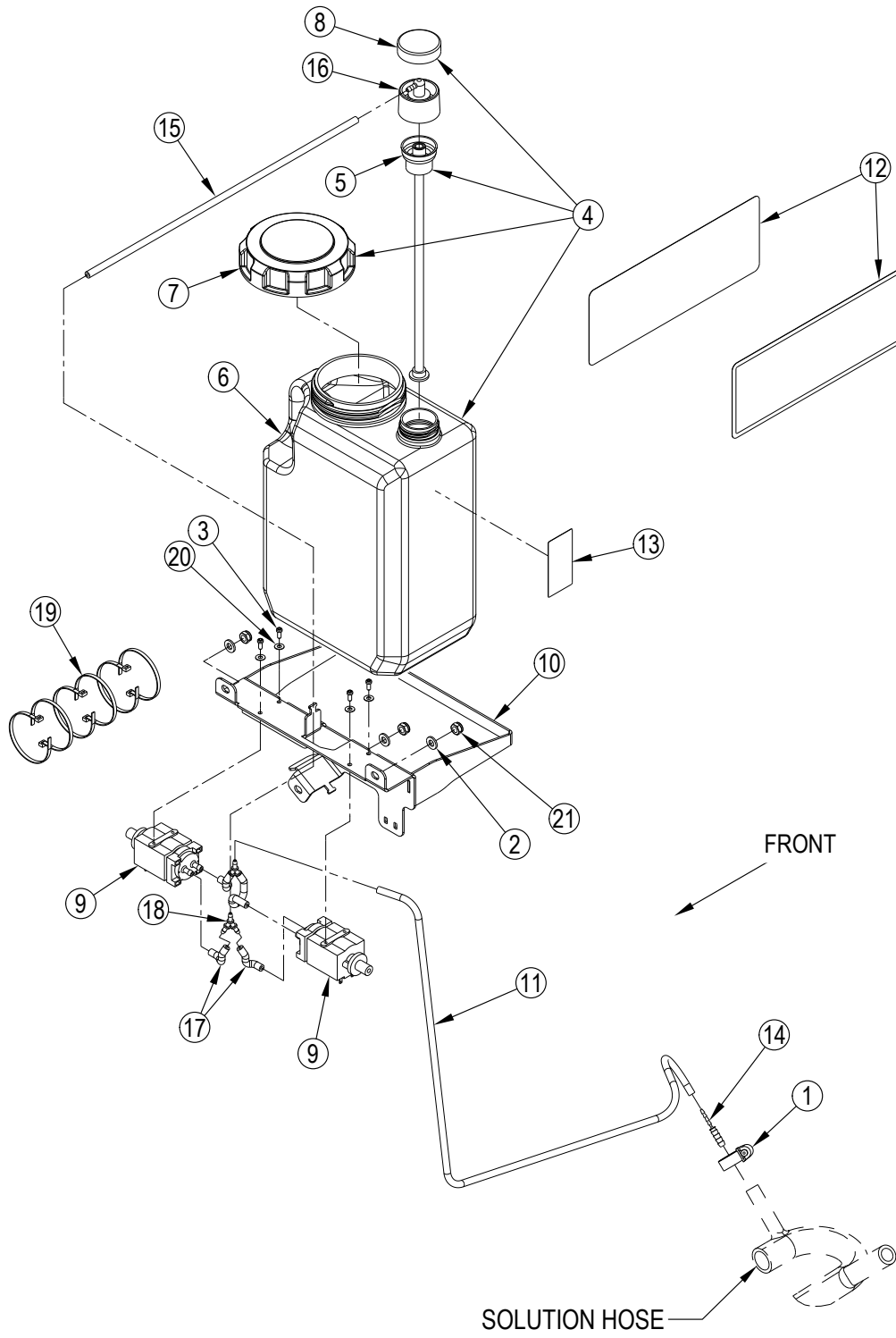
Part Notes:

- [1] - K2
- [2] - K3
- [3] - K1
- [4] - Not Shown

- [5] - K5
- [6] - TSB-FC-2017-048 SC6000 2-081 EPROM error
DE TSB-FC-2017-048 SC6000 Verlust aller Funktionen bis auf den Fahrtrieb 2-081 EPROM error
- [7] - K4 - (Power Module K2, / Speed Controller K3)
- [8] - K4
- [9] - K2, K3
- [10] - TSB-FC-2018-012 SC6000 Loss of Drive
DE TSB-FC-2018-012 SC6000 Maschine ohne Fahrfunktion

TSB-FC-2019-036 SC6000 Loss of Drive Rev. 2
DE TSB-FC-2019-036 SC6000 Verlust der Fahrfunktion Rev. 2

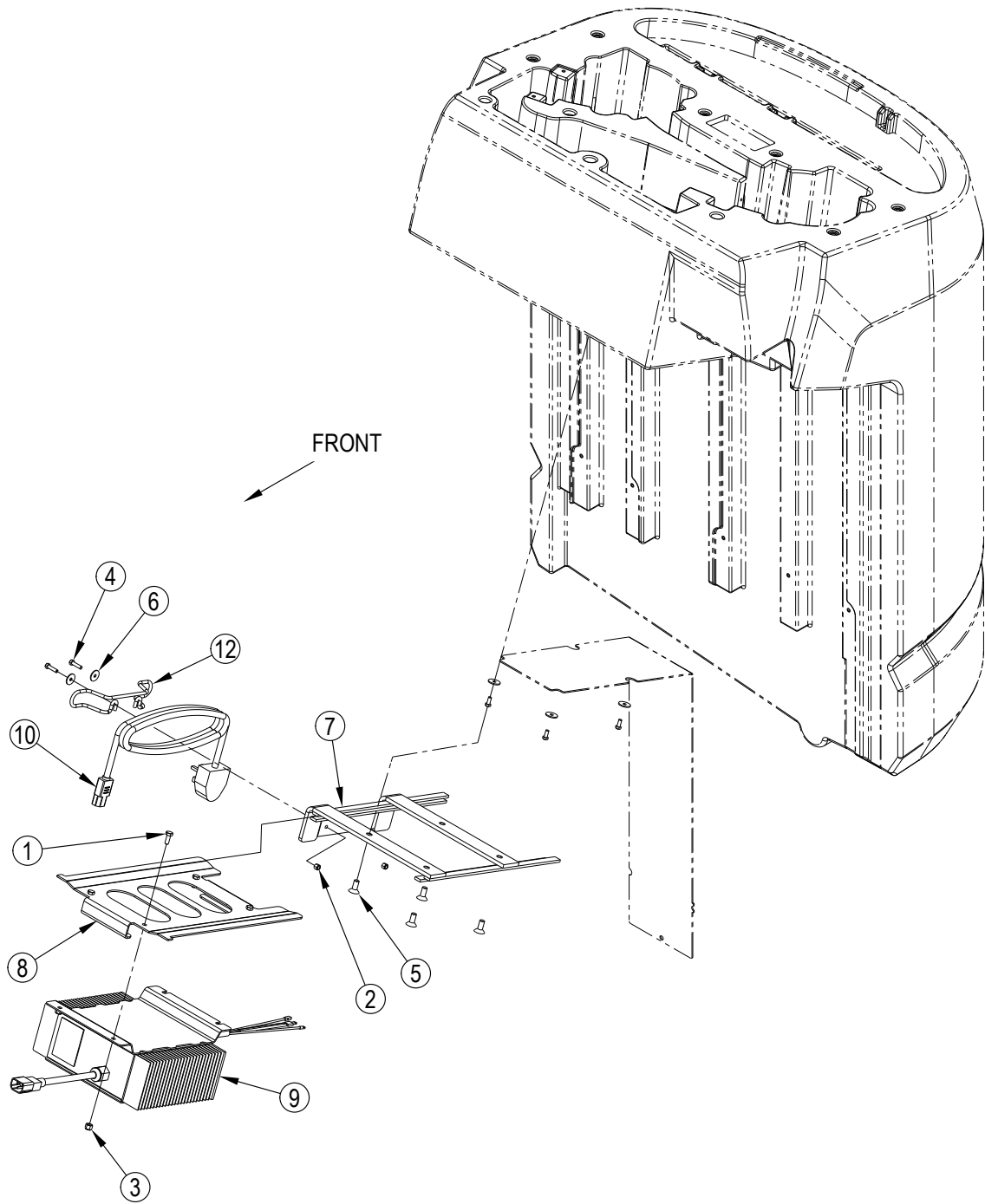
TSB-FC-2020-005 SC6000 Loose UVW drive motor wires
DE TSB-FC-2020-005 SC6000 Lose UVW Kabel am Fahrmotor



Pos.	Product no	QTY	Description	Notes
1		1	Pipe Clamp--M10xm16	[1]
2		3	Washer, Flat 6,4x12,5	[2]
3		4	Scr, Pan Phil Thd Form 6-32 X .31	[2]
4	56104190	1	ECOFLEX BOTTLE ASSY	
5	56104189	1	INSERT-DRY BRAKE	
6	56104408	1	CHEMICAL BOTTLE ASSY	
7	9100001817	1	CAP PLASTIC F DETERGENT SOLU. TANK SIPCap, Raw	
8	56315690	1	CAP 38MM BUTTRESS	
9	56110742	2	PUMP DETERGENT 12V	
10	56116726	1	BRACKET WELDMENT	
11		1	Hose 1/8 Id X 32 Lg	[1]
12		2	Decal-SC6000-Ecoflex-Nilfisk	[3]
13		1	Decal-Chemical Ratio	[3]
14		1	Reducer, Barb	[1]
15		1	Hose, Chem Resistant, 14	[1]
16	56315523	1	CAP DRY BREAK 1/8 BARB	
17		4	Hose, Chem Resistant. 2.00	[1]
18		2	Fitting, Y, Barb, .125	[1]
19		6	Clamp Black	[2]
20	9100001912	4	WASHER PLAIN M4X9SS ISO7089 10 PCS SET	
21		3	Nut, Hex Nyl Loc Thin M6 Ss	[2]
			Service Kits	
K1	56116999	1	DECAL KIT-ECOFLEX	
K2	56116940	1	HOSE KIT-ECOFLEX	
K3	56116941	1	HARDWARE KIT-ECOFLEX	

Part Notes:

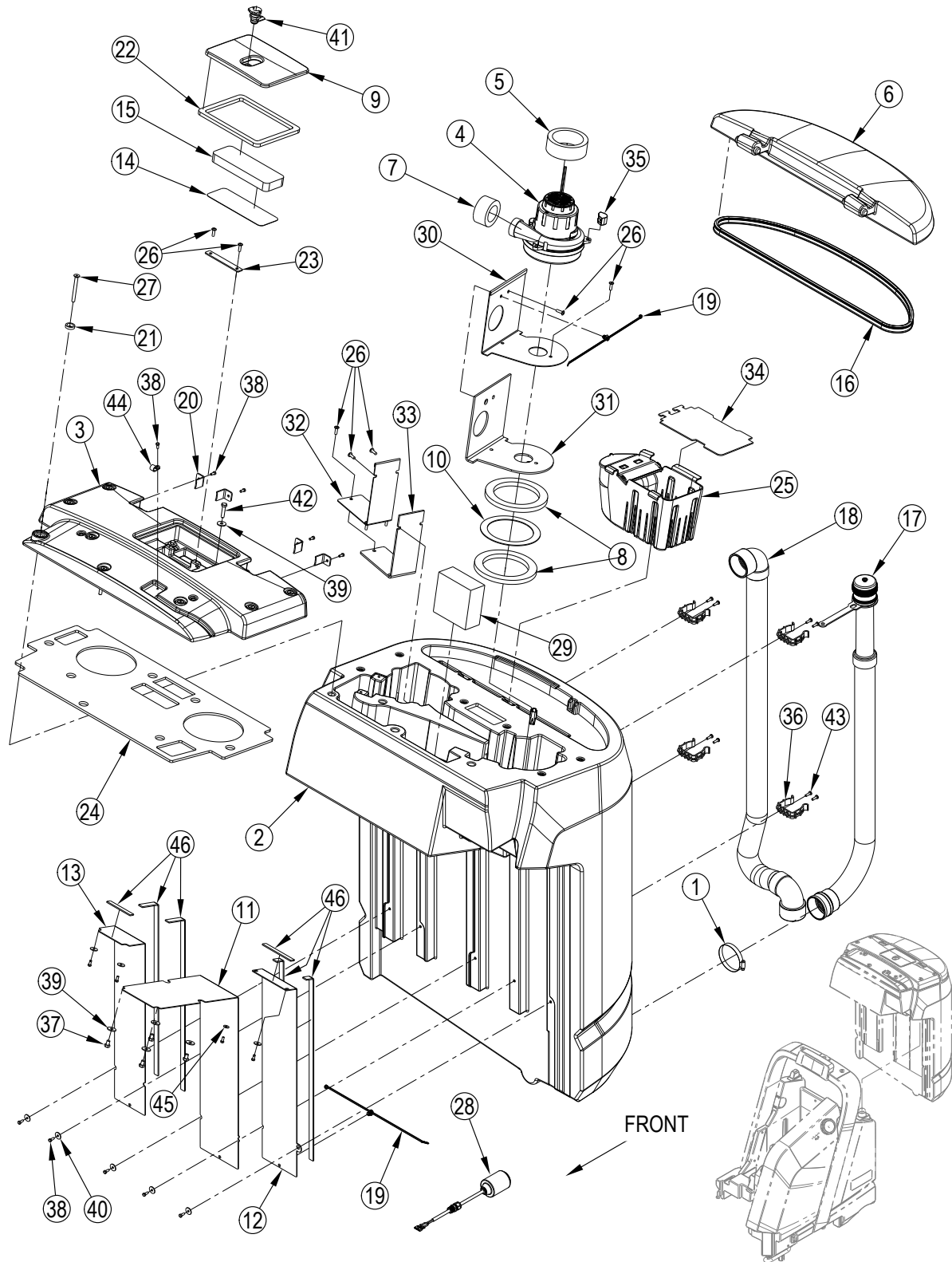
- [1] - K2
 [2] - K3
 [3] - K1



Pos.	Product no	QTY	Description	Notes
1		4	Scr, Hex Thd To Hd M6-1 X 16mm	[1]
2		2	Nut-Hex Nyl Loc M5-0.8	[1]
3		4	Nut-Hex Nyl Loc M6-1	[1]
4		2	Scr-Hex M5-0.8 X 20mm	[1]
5		4	Scr-Fit Soc M8-1.25 X 20mm	[1]
6		2	Wsh-Fit Ss .204 X .750 X .050	[1]
7	56116628	1	MOUNT WELDT-ONBOARD CHARGER	
8	56116631	1	BRACKET-ONBOARD CHARGER MOUNT	
9	56315204	1	CHARGER ON-BOARD 36V	[2]
10	56383389	1	CORD-CHARGER UK	
10	56383388	1	CORD-CHARGER EUROPE	
11	1466317000	1	SUPPORT BATTERY CHARGER CABLE KIT	
			Service Kits	
K1	56116947	1	HARDWARE KIT-ONBOARD CHARGER	

Part Notes:

- [1] - K1
- [2] - GUARANTEE DATE EXPIRED

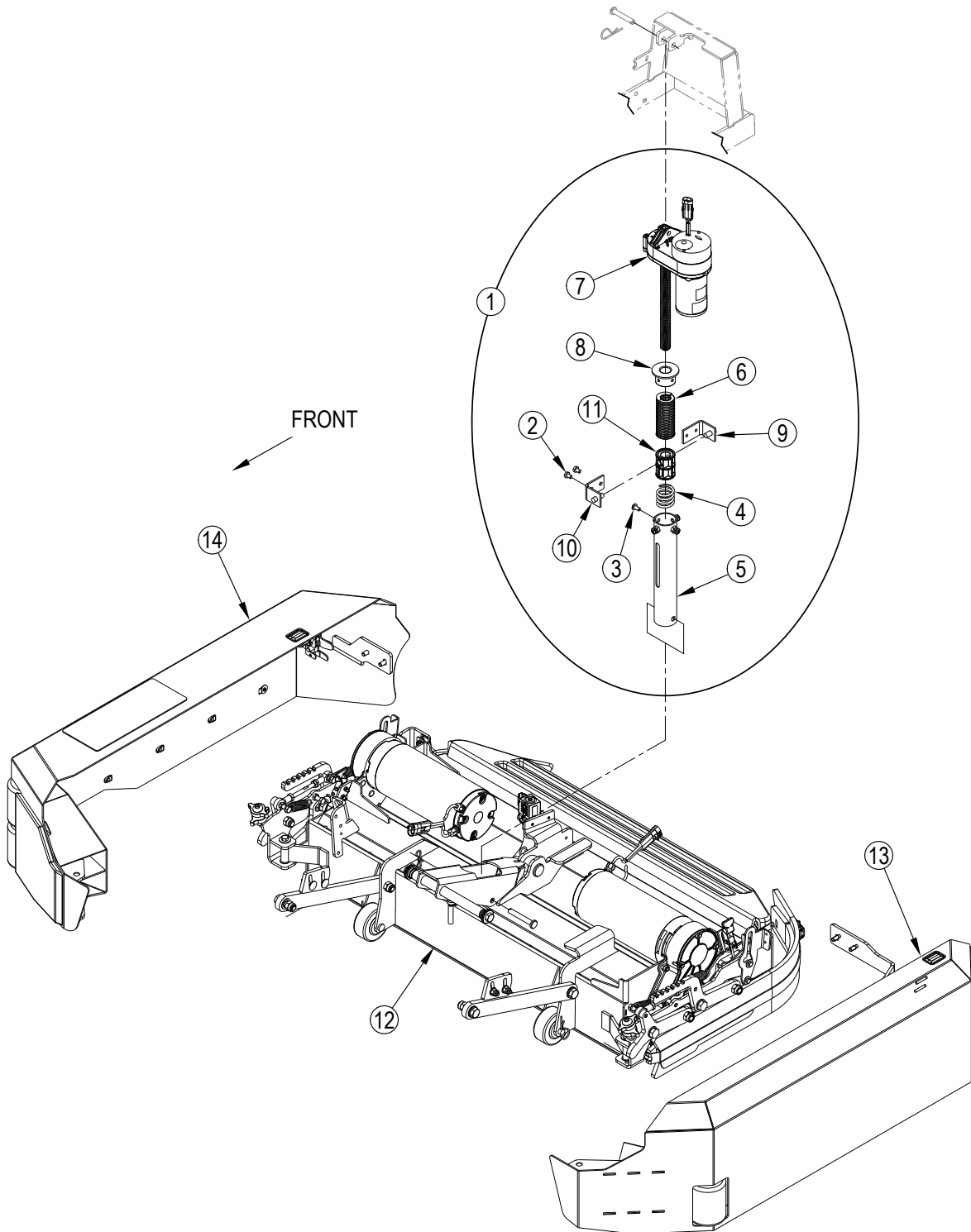


Pos.	Product no	QTY	Description	Notes
1	33003458	1	HOSE CLAMP 12/ 60- 80	
2	56116093	1	TANK-RECOVERY	
3	56116104	1	COVER-VACUUM MOTOR	
4	56116105	1	MOTOR-VACUUM 36VDC	
	56116107	1	CARBON BRUSHES	
5		1	Seal-Inlet	[1]
6		1	Cover-Recovery Tank	[2]
7		1	Seal-Exhaust	[1]
8		2	Seal-Vacuum Motor Inlet	[1]
9		1	Cover-Filter	[3]
10		1	Plate-Gasket Mount	[1]
11		1	Panel-Exhaust	[4]
12		1	Panel-Vacuum Motor Exhaust	[4]
13		1	Panel-Vacuum Exhaust-Dual	[4]
14	56116392	1	SCREEN-FILTER	
15	56116394	1	FILTER-VACUUM INLET	
16	56116486	1	SEAL-RECOVERY COVER	
17	56116500	1	DRAIN HOSE ASSEMBLY	
18	56116537	1	SQUEEGEE HOSE ASSEMBLY	
19		2	Cable Tie-Mount	[5]
20		4	Retainer-Hinge	[6]
21		8	Washer-Cosmetic-Ss-M8	[7]
22		1	Gasket-Vacuum Filter Cover	[3]
23		1	Catch-Cover	[3]
24	56116698	1	GASKET-VACUUM COVER	
25	56116722	1	DEBRIS TRAY ASSEMBLY	
26		10	Screw M6x20 Wn1451 Black Zn	[8]
27		8	Screw M8x80 Din7991 Ss Black	[7]
28	56116842	1	SWITCH-FLOAT MECHANICAL 120V	
29	56118005	1	SEAL-VACUUM BLOCK	[2]
30		1	Plate-Seal	[2]
31		1	Gasket-Seal Vacuum	[2]
32		1	Plate-Seal Vacuum	[2]
33		1	Gasket-Vacuum	[2]
34	56118017	1	FLAP-DEBRIS TRAY	
35		3	Mount, Vibration	[1]
36		4	Clamp, Plastic	[9]
37		4	Screw M8x12 Hex Hd F/Thd Ss	[4]
38		14	Screw M5x12 Hex Hd F/Thd	[10]
39		6	Washer 8x24x2 Uni6593 Ss	[5]
40		9	Washer Flat XI 5.5x20.0x1.6	[11]
41	1464896000	1	LATCH LEVEL W/ FOLD AWAY KNOB	[3]
42		2	Screw M8x35 Hex Hd F/Thd Ss	[7]
43		8	Scr,Pan Phil M5x16 Ss	[9]
44		1	Clamp, Cable Ø12.7	[7]
45		1	Washer	
46		1	Gasket Adhesive 15x3 -Skein	[11]
			Service Kits	
K1	56116920	1	PANEL KIT-RECOVERY TANK	
K2	56116988	1	HOSE CLIP KIT	
K3	56116921	1	DOOR RETAINER KIT	
K4	56116989	1	SHUT OFF PLATE KIT-SINGLE	
K5	56116922	1	VACUUM MOTOR SEAL KIT	
K6	56116990	1	FILTER COVER KIT	
K7	56116991	1	HARDWARE KIT-RECOVERY SYSTEM	

Part Notes:

- [1] - K5
 [2] - K4

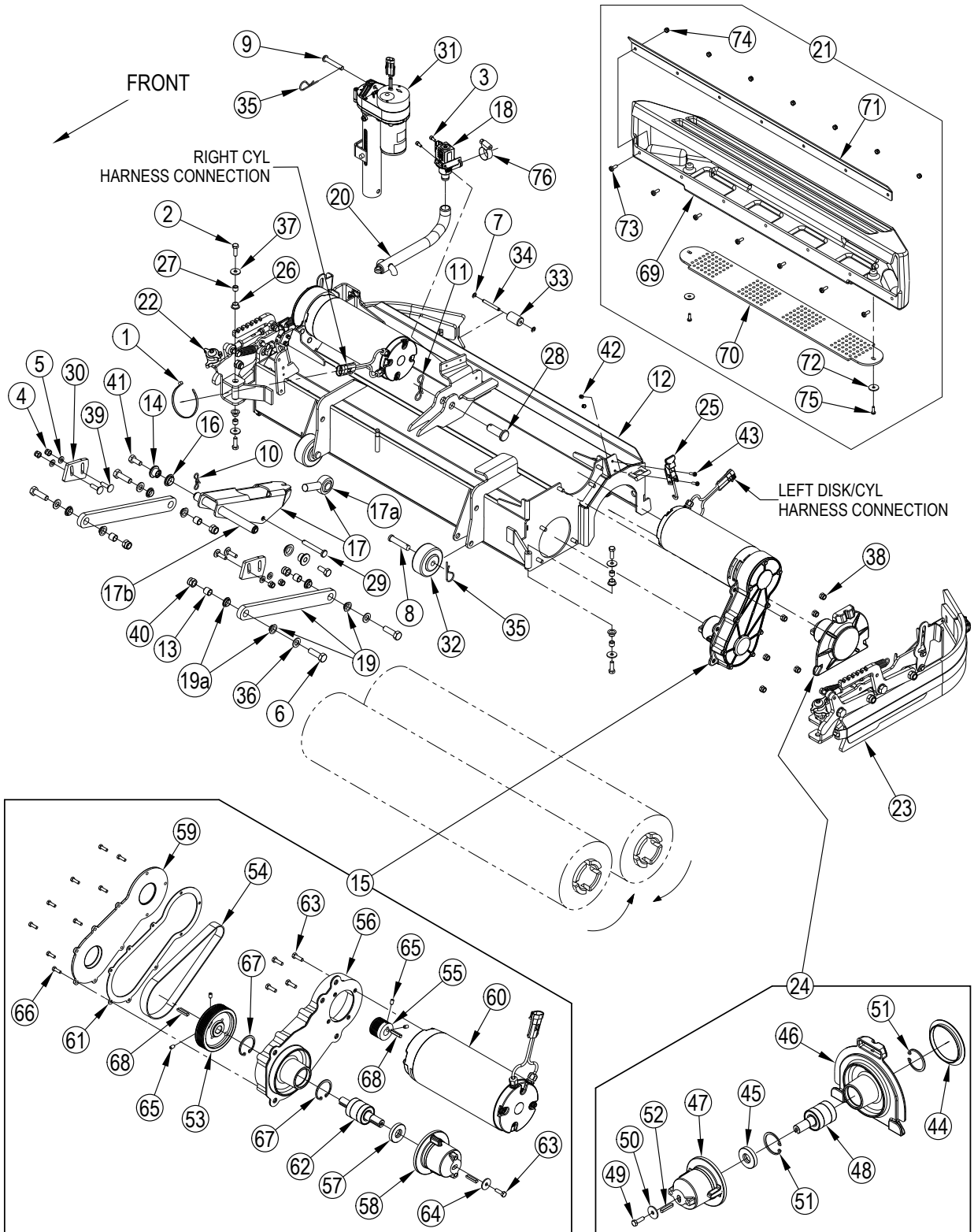
- [3] - K6
- [4] - K11
- [5] - K1,K7
- [6] - K3
- [7] - K7
- [8] - K4,K6,K7
- [9] - K2
- [10] - K1,K3,K7
- [11] - K1



Pos.	Product no	QTY	Description	Notes
1		1	Cyl Deck Lift Actuator Assy (M7)	
2		2	Scr, Hex Thd Form 1/4-20 X0.38	[1]
3		4	Scr, Pan Phil Thd Form 1/4-20x .50	[1]
4		1	Spring-Compression 1.40x1.40in	[1]
5		1	Spring Housing Weldment	[1]
6		1	Spring-Compression-1.44x3.50 In	[1]
7	56118041	1	ACTUATOR ASSEMBLY-HEAVY DUTY	[1]
8		1	Spring Housing Guide	[1]
9		1	Nut Retainer	[1]
10		1	Nut Retainer	[1]
11	56388520	1	NUT PLASTIC	[1]
12		1	Cylindrical Scrub Assembly-36c	
13		1	Door Assembly-Left-40d/36c	
14		1	Door Assembly-Right-36c	
			Service Kits	
K1	56118048	1	SPRING HOUSING KIT-ACTUATOR	

Part Notes:

[1] - K1



Scrub System-Cylindrical-Deck Assembly

SC6000 910C NIL

2019.11.06

2020.03.09

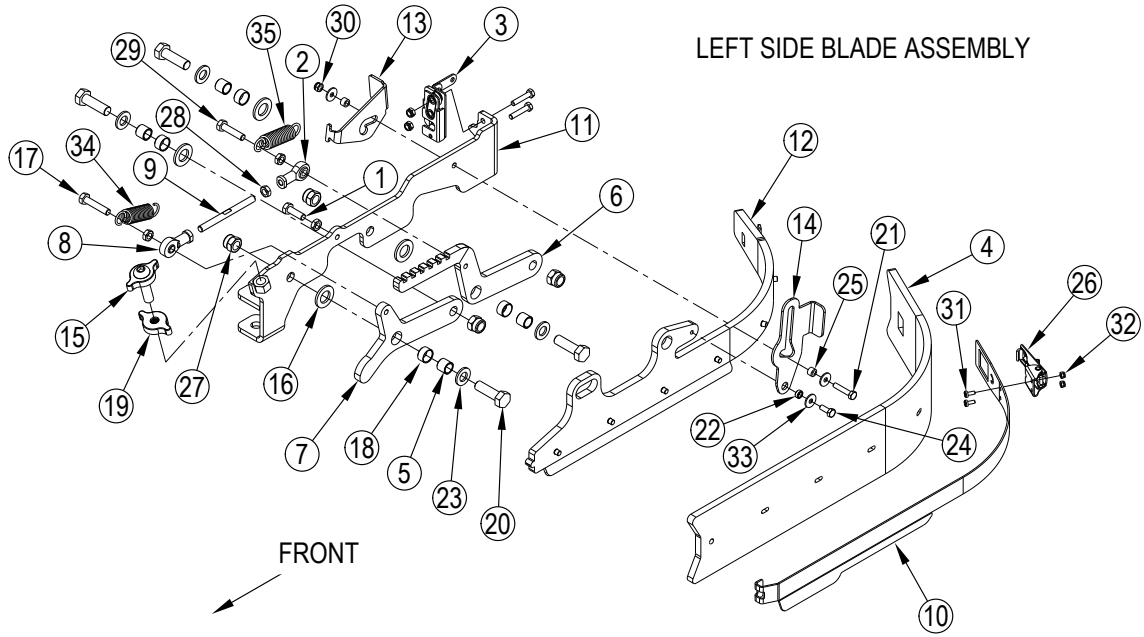
Pos.	Product no	QTY	Description	Notes
1		1	Clamp 290x4.8	[1]
2		4	Screw M8x25 Hex Hd F/Thd Ss	[2]
3		2	Screw Soc. Hd M5x12 Ss	[3]
4		4	Nut, Hex Nyl Loc Hvy M8	[4]
5		4	Washer, Flat 8.4x16x1.6	[4]
6		4	Scr M12x40 Hex 10.9 Iso4017	[5]
7		4	Ring, Ret Ext Type E Reinf. 0.25 Dia	[6]
8		2	Clevis Pin	[6]
9		1	Pin-Clevis .375 X 2.25	[7]
10		1	Pin- Bow-Tie Cotter 7/16 - 1/2	[7]
11		1	Pin-Bow Tie Cotter 3/4	[8]
12	56116069	1	CYLINDRICAL SCRUB DECK WELDT	
13		4	Bushing-12.5x16x14.48mm	[5]
14		2	Bushing-Lift Arm Pivot	[8]
15		2	Cylindrical Drive Housing Assy	[9]
16		2	Bearing-Flange-20x23x7mm	[8]
17		1	Deck Lift Arm Assembly	[8]
17a		1	Rod End-Spherical-18mm-Male	[8]
17b		1	Lift Arm Weldment	[8]
18		1	Valve-Solenoid-36vdc	[10]
19		2	Deck Trailing Arm Assembly	[5]
19a		8	Bearing-Flange-16x18x6mm	[5]
20	56116468	1	HOSE-SOLUTION FEED-CYLINDRICAL	
21	56116483	1	HOPPER ASSEMBLY-36IN	
22	56116523	1	SIDE BLADE ASSEMBLY-RIGHT	
23	56116524	1	SIDE BLADE ASSEMBLY-LEFT	
24		2	Idler Assembly	[11]
25		2	Latch-Draw	[12]
26		4	Bearing-Flange-12x14x9mm	[2]
27		4	Bushing	[2]
28		1	Pin-Clevis 18x50 Iso2341-B	[8]
29		1	Pin-Clevis 10x70 Iso2341-B	[7]
30		2	Plate-Stop	[4]
31		1	Cyl Deck Lift Actuator Assy (M7)	[13]
32		2	Wheel 3.00 X 1.25	[6]
33		2	Roller, Rear	[6]
34		2	Pin	[6]
35		3	Hair Pin Cotter A2,5	[14]
36		4	Washer, Flat 13.0x24.0x2.5 Ss	[5]
37		4	Washer 8x24x2 Uni6593 Ss	[2]
38		12	Nut, Hex Nyl Loc M8 Ss	[15]
39		4	Screw M8x30 Carriage	[4]
40		4	Nut, Hex Nyl Loc M12 S.S.	[5]
41		2	Screw M10x25 Hex Hd F/Thd	[8]
42		4	Nut, Hex Nyl Loc Thin M5 Ss	[12]
43		4	Scr,Pan Phil M5x16 Ss	[12]
44	56116032	1	CAP-HUB	
45		1	Seal-Oil	[16]
46		1	Housing-Cylindrical Deck Idler	[17]
47		1	Lug-Cylindrical Deck Drive	[18]
48		1	Shaft Assembly-Idler	[17]
49		1	Screw M6x20 Hex Hd F/Thd Ss ISO4017	[18]
50		1	Washer Flat XI 6.6x24.0x2.0 Ss	[18]
51		2	Ring D 40 Uni7437	[17]
52		1	Key 5x5x30 Din6885	[18]
53		1	Sheave 95mm-8 Rib	[19]
54		1	Belt-Self Tension-8 Rib	[20]
55		1	Sheave 1.50in-8 Rib	[19]
56		1	Housing-Cylindrical Drive	[15]

Pos.	Product no	QTY	Description	Notes
57		1	Seal-Oil	[15]
58		1	Lug-Cylindrical Deck Drive	[18]
59		1	Cover-Belt Housing	[21]
60	56116159	1	MOTOR-36VDC-1900RPM-1HP	
	56422152	1	MOTOR BRUSH KIT	
61		1	Gasket-Cyl Drive Housing	[21]
62		1	Shaft Assembly-Brush	[15]
63		5	Screw M6x20 Hex Hd F/Thd Ss ISO4017	[22]
64		1	Washer Flat XI 6.6x24.0x2.0 Ss	[18]
65		4	Screw M6x1.0x10 Soc.Set Cylindrical	[19]
66		9	Screw M5x16 Hex Hd F/Thd Ss	[21]
67		2	Ring D 40 Uni7437	[15]
68		3	Key 5x5x30 Din6885	[23]
69		1	Hopper-36 Inch	
70		1	Screen-Hopper-36in	[24]
71		1	Threshold-Hopper-36in	
72		2	Washer Flat XI 6.6x24.0x2.0 Ss	[24]
73		7	Scr, Pan Phil M6x16 Ss	
74		7	Nut, Hex Nyl Loc Thin M6 Ss	
75		2	Scr,Pan Phil M5x16 Ss	[24]
76		1	Clamp, Hose 15-24 Size8	[3]
			Service Kits	
K1	56116881	1	LIFT ARM KIT-CENTER	[25]
K2	56116882	1	TRAILING ARM KIT-BOTH SIDES	[26]
K10	56116928	1	STOP KIT-BOTH SIDES	[27]
K13	56118038	1	HARDWARE KIT-ACTUATOR	[28]
K16	56116875	1	SOLENOID VALVE KIT	[29]
K17	56116891	1	SOLENOID SEAL KIT	[30]
K18	56116877	1	LATCH KIT-BOTH SIDES	[31]
K19	56116879	1	HOPPER FLOOR KIT	[32]
K20	56116880	1	ROLLER KIT-CYLINDRICAL DECK	[33]
K21	56116885	1	BELT KIT-BOTH SIDES	[34]
K22	56116886	1	DRIVE HOUSING KIT	[35]
K23	56116890	1	HUB KIT	[36]
K24	56116887	1	SHEAVE KIT	[37]
K25	56116888	1	DRIVE COVER KIT-BOTH SIDES	[38]
K26	56116889	1	IDLER HOUSING KIT	[39]
K29	56116876	1	PIVOT HARDWARE KIT-BOTH SIDES	[40]
K30	56116992	1	HARDWARE KIT-ELECTRICAL	
K34	56118185	1	SOLENOID SEAL KIT	[41]

Part Notes:

- [1] - K3+
- [2] - K29
- [3] - K16
- [4] - K10
- [5] - K2
- [6] - K20
- [7] - K13
- [8] - K1
- [9] - (53-68)
- [10] - K16,K17
- [11] - (44-52)
- [12] - K18
- [13] - Scrub System-Cylindrical
- [14] - K20,K13
- [15] - K22
- [16] - K26
K26

- [17] - K26
- [18] - K23
- [19] - K24
- [20] - K21
- [21] - K25
- [22] - K22, K23
- [23] - K23, K24
- [24] - K19
- [25] - K1 includes pos.14,16,17,17a,17b,41
- [26] - K2 includes pos.6,13,19,19a,36
- [27] - K10 includes pos.5,6,30,39
- [28] - K13 includes pos.9,10,29
- [29] - K16 includes pos.3,18,76
- [30] - for #56116248 - Pos. 18
- [31] - K18 includes pos.25,42,43
- [32] - K19 includes pos.70,72,75
- [33] - K20 includes pos.7,8,32,33,34
- [34] - K21 includes pos.54
- [35] - K22 includes pos.56,57,62,63,67
- [36] - K23 includes pos.52,58,63,64,68
- [37] - K24 includes pos.55,65,68
- [38] - K25 includes pos.59,61
- [39] - K26 includes pos.45,46, 48,51
- [40] - K29 includes pos. 2,26,27,37
- [41] - for #56118184

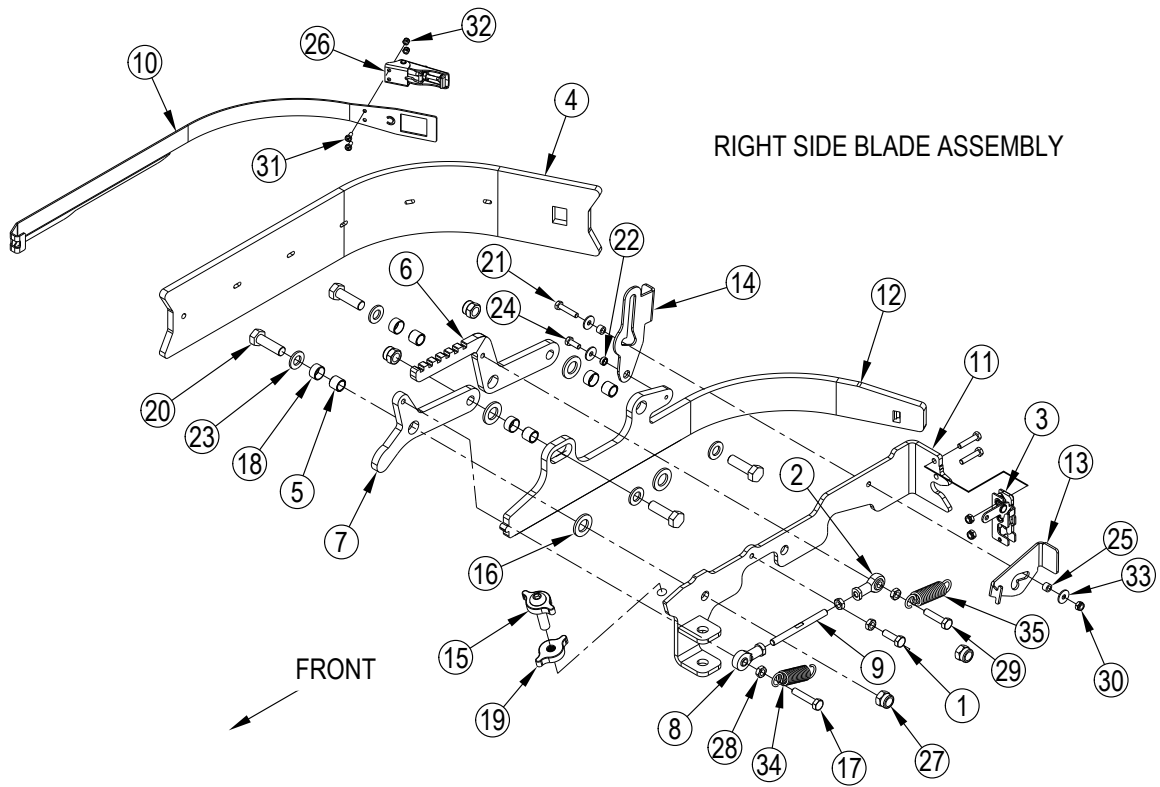


Pos.	Product no	QTY	Description	Notes
	56116524	1	SIDE BLADE ASSEMBLY-LEFT	
1		1	Screw M8x25 Hex Hd F/Thd Ss	[1]
2		1	Joint M8	[2]
3		1	Latch Rotary	[3]
4		1	Blade-Deck-Linatex	[4]
		1	Blade-Deck-PU	[5]
5		4	Bushing-Sleeve-.507x.625x.527	[5]
6	56116233	1	ARM-SIDE BLADE-REAR	
7	56116234	1	ARM-SIDE BLADE-FRONT	
8		1	Rod End-M8-Lh	[2]
9		1	Rod-Threaded	[2]
10		1	Strap-Cyl Side Blade-Left	[6]
11	56116526	1	SIDE BLADE MOUNT WELDT-LEFT	
12	56116653	1	SIDE BLADE SUPPORT WELDT-LEFT	
13	56116661	1	CLIP-SPRING ADJUSTMENT-LEFT	
14	56116663	1	LATCH-DOUBLE SCRUB-LEFT	
15		1	Knob Assembly	[7]
16		4	Washer17x30x3 Iso7089 SS	[5]
17		1	Screw M8x40 Uni5739 SS	
18		4	Bearing, .719 X .625 X .375	[5]
19		1	Knob	[7]
20		4	Screw M12x40 A2 Din93	[5]
21		3	Screw M6x30 Hex Hd F/Thd SS	[5]
22		1	Spacer 6.5x10x4.5	[5]
23		4	Washer, Flat 13.0x24.0x2.5 SS	[5]
24		1	Screw M6x16 Hex Hd F/Thd SS	[5]
25		2	Spacer 6.1 X 10 X 6.5	[5]
26		1	Latch Squeegee	[6]
27		4	Nut, Hex Nyl Loc M12 S.S.	[5]
28		4	Nut Hex M8 Uni5589 Ss	[1]
29		1	Screw M8x35 Hex Hd F/Thd SS	[2]
30		3	Nut, Hex Nyl Loc Thin M6 SS	[5]
31		2	Scr, Pan Phil M4x10 Ss	[6]
32		2	Nut, Hex Nyl Loc Thin M4 SS	[6]
33		3	Washer Flat XI 6x18x1.5 – SS	[5]
34	56116239	1	SPRING-EXTENSION-0.75X2.96IN	
35	56116846	1	SPRING-EXTENSION 0.75X3.00IN	
			Service Kits	
K4	56116979	1	LATCH KIT	[8]
K8	56116981	1	LEVEL ADJUST KIT-SIDE WIPER	[9]
K9	56116983	1	KNOB KIT-SIDE WIPER	[10]
K12	56116982	1	HARDWARE KIT-SIDE WIPER	[11]
K14	56116706	1	SIDE BLADE KIT-LINATEX	[12]
K15	56116709	1	SIDE BLADE KIT-PU	[13]
K27	56116984	1	CYLINDER STRAP KIT-BOTH SIDES	[14]

Part Notes:

- [1] - K8, K12
- [2] - K8
- [3] - K14
- [4] - K15
- [5] - K12
- [6] - K27
- [7] - K9
- [8] - K4 includes pos. 3
- [9] - K8 includes pos. 1,2,8,9,17,28,29
- [10] - K9 includes pos. 15,19
- [11] - K12 includes pos. 1,5,16,18,20-25,27,28,29,33
- [12] - K14 includes pos. 4

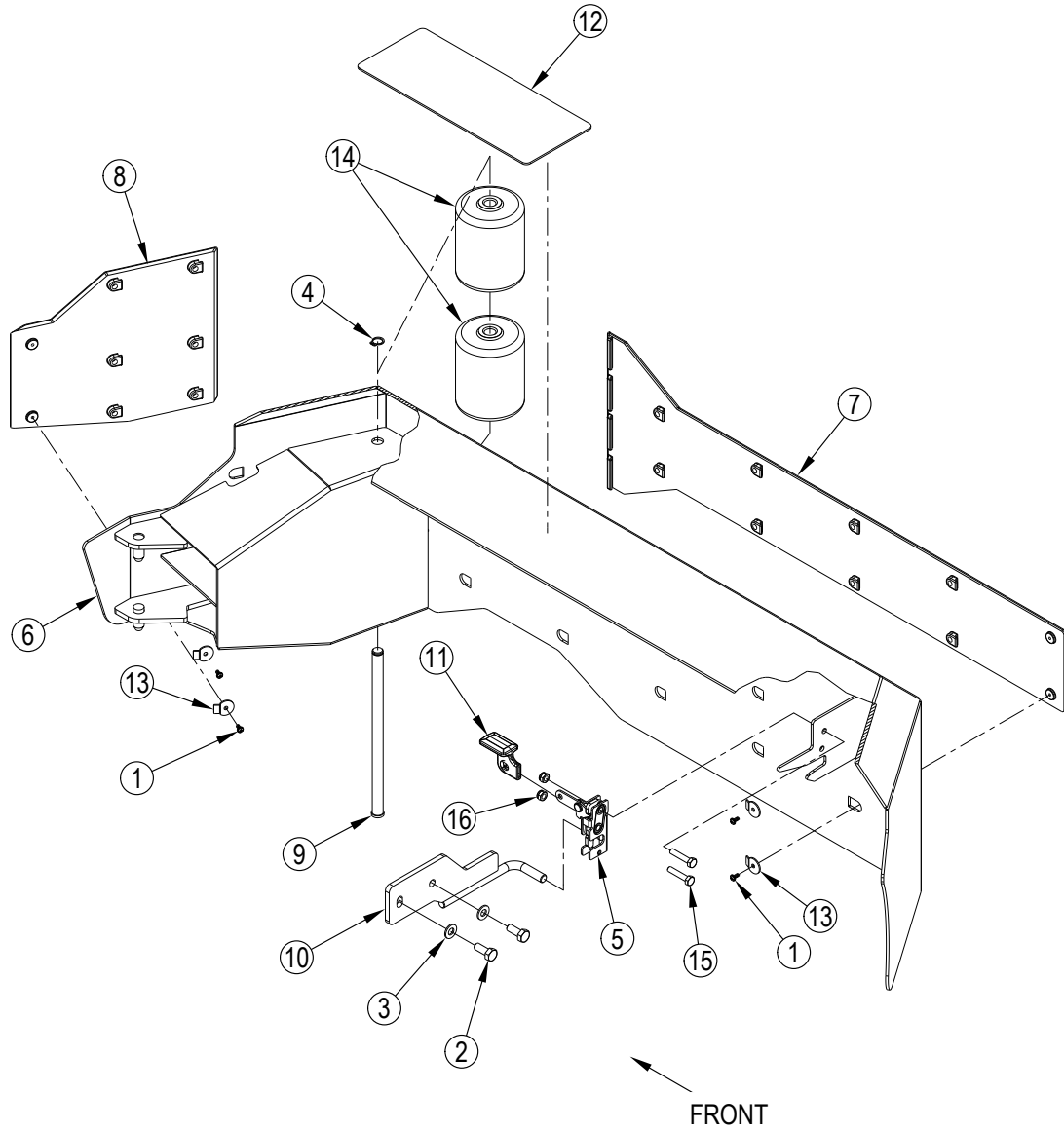
-
- [13] - K15 includes pos. 4
 - [14] - K27 includes pos. 10,26,31,32



Pos.	Product no	QTY	Description	Notes
	56116523	1	SIDE BLADE ASSEMBLY-RIGHT	
1		1	Screw M8x25 Hex Hd F/Thd Ss	[1]
2		1	Joint M8	[2]
3		1	Latch Rotary	[3]
4		1	Blade-Deck-Linatex	[4]
		1	Blade-Deck-PU	[5]
5		4	Bushing-Sleeve-.507x.625x.527	[6]
6	56116233	1	ARM-SIDE BLADE-REAR	
7	56116234	1	ARM-SIDE BLADE-FRONT	
8		1	Rod End-M8-Lh	[2]
9		1	Rod-Threaded	[2]
10		1	Strap-Cyl Side Blade-Right	
11	56116525	1	SIDE BLADE MOUNT WELDT-RIGHT	
12	56116652	1	SIDE BLADE SUPPORT WELDT-RIGHT	
13	56116660	1	CLIP-SPRING ADJUSTMENT-RIGHT	
14	56116662	1	LATCH-DOUBLE SCRUB-RIGHT	
15		1	Knob Assembly	[7]
16		4	Washer17x30x3 Iso7089 SS	[6]
17		1	Screw M8x40 Uni5739 SS	[2]
18		4	Bearing, .719 X .625 X .375	[6]
19		1	Knob	[7]
20		4	Screw M12x40 A2 Din93	[6]
21		3	Screw M6x30 Hex Hd F/Thd SS	[6]
22		1	Spacer 6.5x10x4.5	[6]
23		4	Washer, Flat 13.0x24.0x2.5 SS	[6]
24		1	Screw M6x16 Hex Hd F/Thd SS	[6]
25		2	Spacer 6.1 X 10 X 6.5	[6]
26		1	Latch Squeegee	[8]
27		4	Nut, Hex Nyl Loc M12 S.S.	[6]
28		4	Nut Hex M8 Uni5589 Ss	[1]
29		1	Screw M8x35 Hex Hd F/Thd SS	[2]
30		3	Nut, Hex Nyl Loc Thin M6 SS	[6]
31		2	Scr, Pan Phil M4x10 Ss	[8]
32		2	Nut, Hex Nyl Loc Thin M4 SS	[8]
33		3	Washer Flat XI 6x18x1.5 - SS	[6]
34	56116239	1	SPRING-EXTENSION-0.75X2.96IN	
35	56116846	1	SPRING-EXTENSION 0.75X3.00IN	
			Service Kits	
K4	56116979	1	LATCH KIT	
K8	56116981	1	LEVEL ADJUST KIT-SIDE WIPER	
K9	56116983	1	KNOB KIT-SIDE WIPER	
K12	56116982	1	HARDWARE KIT-SIDE WIPER	
K14	56116706	1	SIDE BLADE KIT-LINATEX	
K15	56116709	1	SIDE BLADE KIT-PU	
K27	56116984	1	CYLINDER STRAP KIT-BOTH SIDES	

Part Notes:

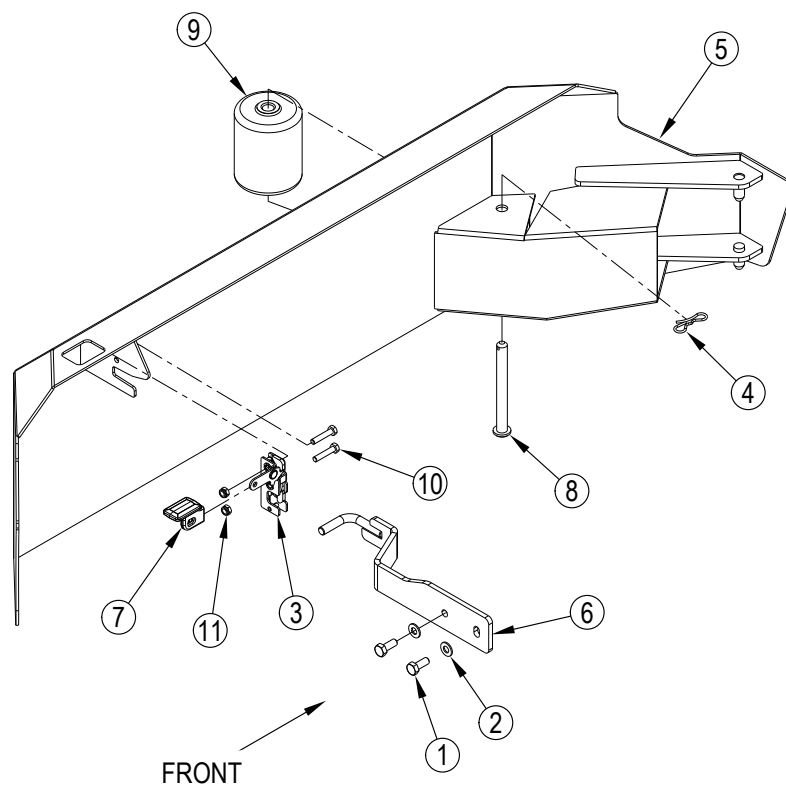
- [1] - K8, K12
- [2] - K8
- [3] - K4
- [4] - K14
- [5] - K15
- [6] - K12
- [7] - K9
- [8] - K27



Pos.	Product no	QTY	Description	Notes
1		4	Ejot 3.5x8 Wn1411	[1]
2		2	Screw M8x20 Hex Hd F/Thd	[2]
3		2	Washer, Flat 8.4x16x1.6	[2]
4		1	Shaft Ring D.12	[3]
5		1	Latch Rotary	[4]
6	56118094	1	DOOR WELDMENT KIT	[5]
7		1	Skid Plate-Right-34d	[1]
8		1	Skid Plate-Right-Front-36c	[1]
9		1	Pin-Door Roller	[3]
10	56118096	1	STRIKER KIT-RIGHT-CYLINDRICAL	[6]
10		1	Striker Weldment-Door-Rt-36c	[7]
11		1	Handle-Latch	[4]
12	56116720	1	MAT-DOOR	
13		4	Washer-Tab	[1]
14		2	Wheel, Roller	[3]
15		2	Screw M6x30 Hex Hd F/Thd Ss	[4]
16		2	Nut, Hex Nyl Loc Thin M6 Ss	[4]
			Service Kits	
K4	56116979	1	LATCH KIT	
K5	56116980	1	ROLLER KIT-BOTH DOORS	
K6	56116899	1	STRIKER KIT-RIGHT	
K7	56116900	1	SKID PLATE KIT	
K8	56118096	1	STRIKER KIT-RIGHT-CYLINDRICAL	

Part Notes:

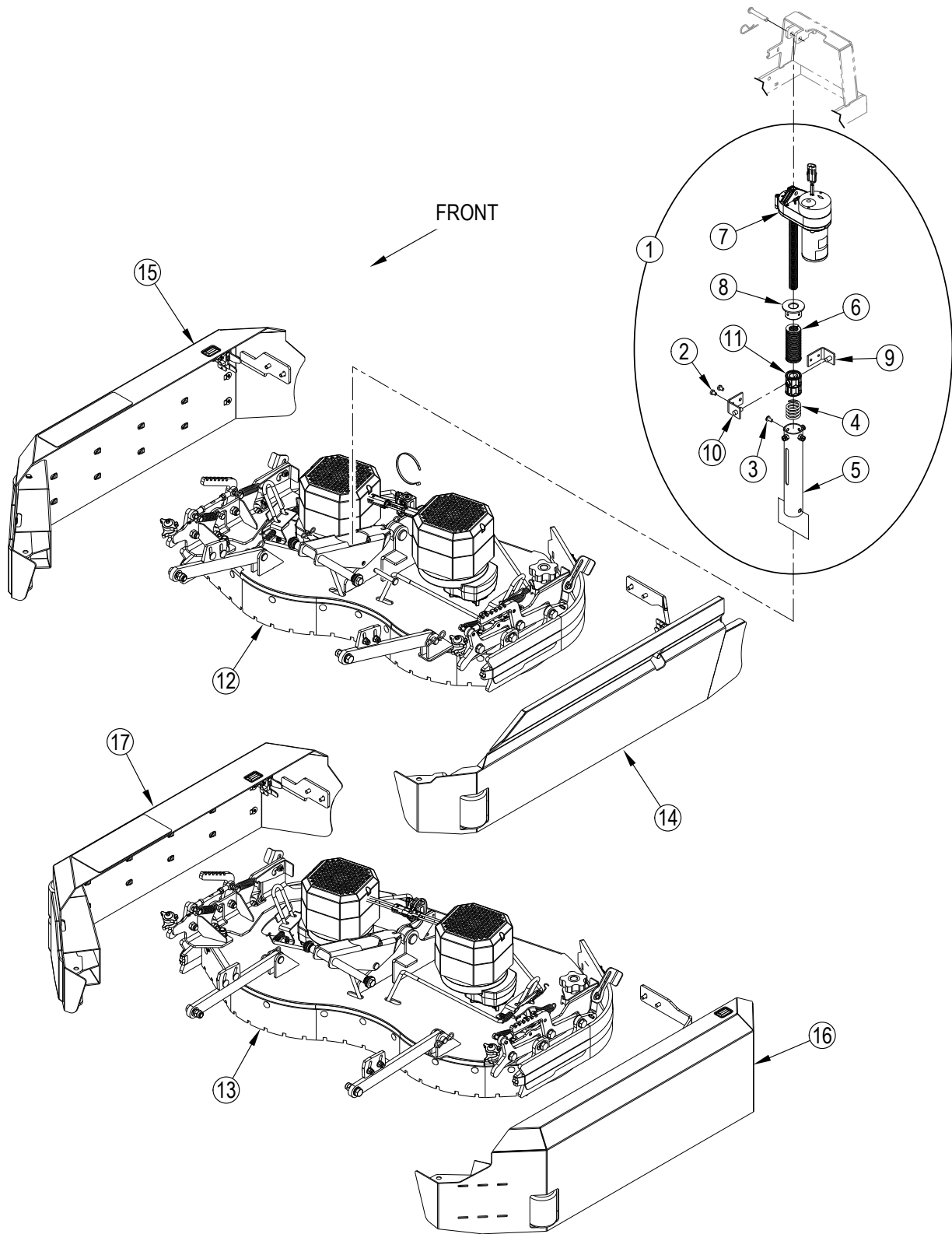
- [1] - K7
 - [2] - K6, K8
 - [3] - K5
 - [4] - K4
 - [5] - Right Door Weldment 56116419 and Right Striker Kit 56116899 have been replaced in production with Right Door Weldment 56118092 and Striker Kit 56118096. If you need to replace 56116419 please order Door Weldment Kit 56118094 to replace the door and striker.
 - [6] - K6
 - [7] - K8
- Right Door Weldment 56116419 and Right Striker Kit 56116899 have been replaced in production with Right Door Weldment 56118092 and Striker Kit 56118096. If you need to replace 56116419 please order Door Weldment Kit 56118094 to replace the door and striker.



Pos.	Product no	QTY	Description	Notes
1		2	Screw M8x20 Hex Hd F/Thd	[1]
2		2	Washer, Flat 8.4x16x1.6	[1]
3		1	Latch Rotary	[2]
4		1	Pin- Bow-Tie Cotter 7/16 - 1/2	[3]
5	56116416	1	DOOR WELDMENT-LEFT-40D/36C	
6		1	Door Striker Weldment-Left	[1]
7		1	Handle-Latch	[2]
8		1	Pin-Clevis 12x120 Iso2341-B	[3]
9		1	Wheel, Roller	[3]
10		2	Screw M6x30 Hex Hd F/Thd Ss	[2]
11		2	Nut, Hex Nyl Loc Thin M6 Ss	[2]
			Service Kits	
K3	56116898	1	STRIKER KIT-LEFT	
K4	56116979	1	LATCH KIT	
K5	56116980	1	ROLLER KIT-BOTH DOORS	

Part Notes:

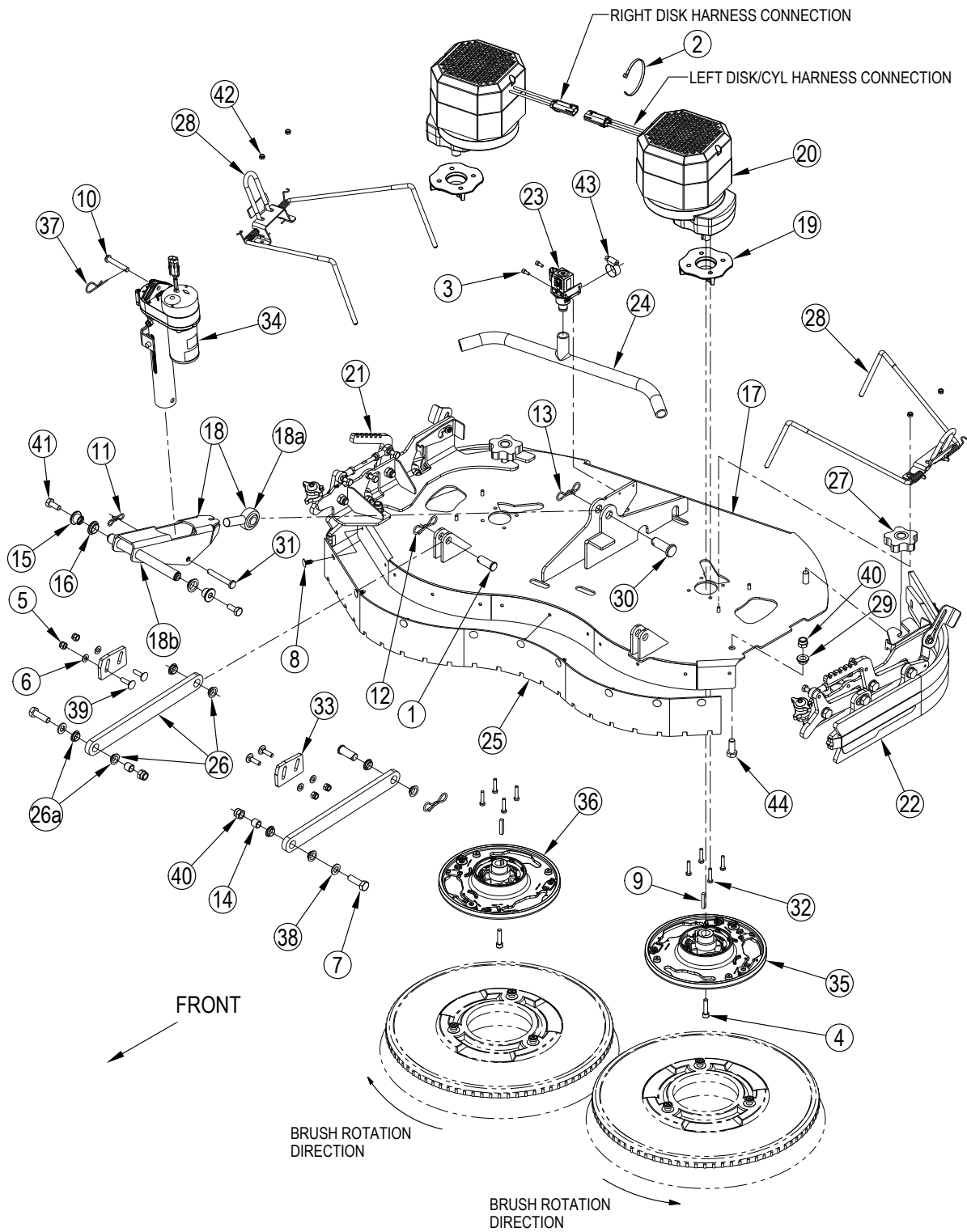
- [1] - K3
- [2] - K4
- [3] - K5



Pos.	Product no	QTY	Description	Notes
1		1	Complete Actuator Assembly	
2		2	Scr, Hex Thd Form 1/4-20 X0.38	[1]
3		4	Scr, Pan Phil Thd Form 1/4-20x .50	[1]
4		1	Spring-Compression 1.40x1.40in	[1]
5		1	Spring Housing Weldment	[1]
6		1	Spring-Compression-1.44x3.50 In	[1]
7	56118041	1	ACTUATOR ASSEMBLY-HEAVY DUTY	[1]
8		1	Spring Housing Guide	[1]
9		1	Nut Retainer	[1]
10		1	Nut Retainer	[1]
11	56388520	1	NUT PLASTIC	[1]
12		1	Disc Deck Assembly-34d	
13		1	Disc Deck Assembly-40d	
14		1	Door Assembly-Left-34d	
15		1	Door Assembly-Right-34d	
16		1	Door Assembly-Left-40d/36c	
17		1	Door Assembly-Right-40d	
			Service Kits	
K1	56118048	1	SPRING HOUSING KIT-ACTUATOR	

Part Notes:

[1] - K1

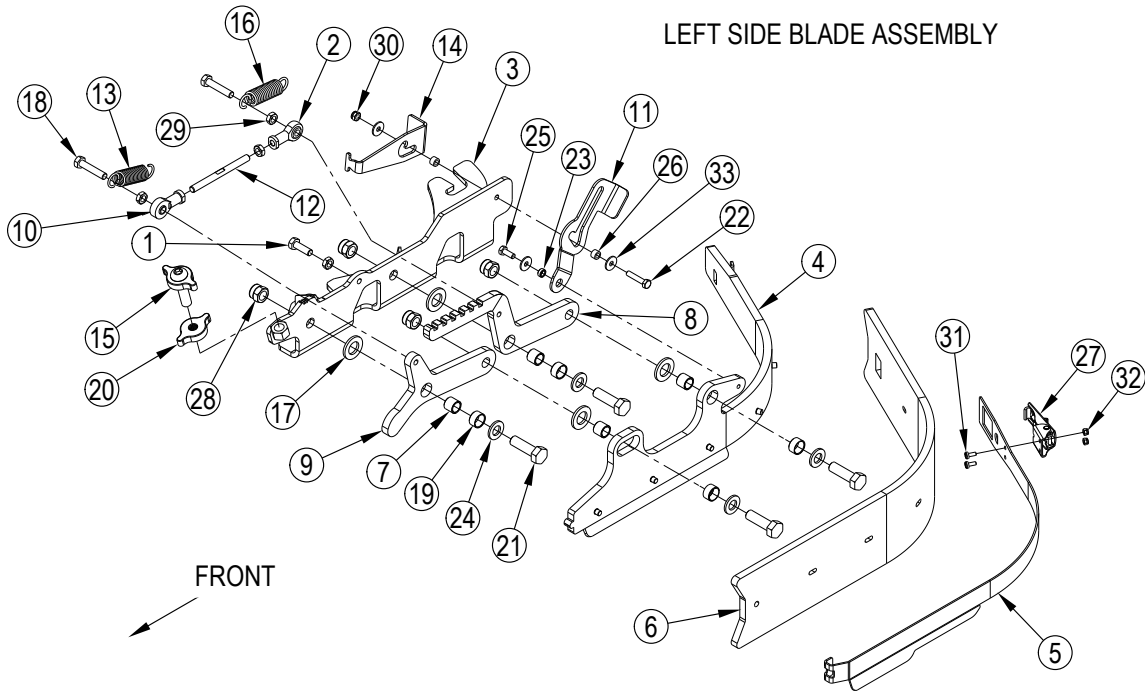


Pos.	Product no	QTY	Description	Notes
1		2	Pin D.16	[1]
2		1	Clamp 290x4.8	[2]
3		2	Screw Soc. Hd M5x12 SS	[3]
4		2	Screw Soc. Hd M8x35 SS	[4]
5		4	Nut, Hex Nyl Loc Hvy M8	[5]
6		4	Washer, Flat 8.4x16x1.6	[5]
7		2	Screw M12x40 Hex Hd F/Thd - 12k	[1]
8		9	Rivet, Nylon Tree Push-In (.25)	[6]
9		2	Key, Square .25 X 1.44	[4]
10		1	Pin-Clevis .375 X 2.25	[7]
11		1	Pin- Bow-Tie Cotter 7/16 - 1/2	[7]
12		2	Pin-Bow Tie Cotter 5/8	[1]
13		1	Pin-Bow Tie Cotter 3/4	[8]
14		2	Bushing-12.5x16x14.48mm	[1]
15		2	Bushing-Lift Arm Pivot	[8]
16		2	Bearing-Flange-20x23x7mm	[8]
17	56116201	1	SCRUB DECK WELDMENT-34D	[9]
17	56116200	1	SCRUB DECK WELDMENT-40D	[10]
18		1	Deck Lift Arm Assembly	[8]
18a		1	Rod End-Spherical-18mm-Male	[8]
18b		1	Lift Arm Weldment	[8]
19	56116212	2	SPACER-MOTOR	
20	56116213	2	GEARMOTOR-36VDC-250RPM-1.0HP	
	56422152	1	MOTOR BRUSH KIT	
21	56116214	1	SIDE BLADE ASSEMBLY-RIGHT	
22	56116215	1	SIDE BLADE ASSEMBLY-LEFT	
23		1	Valve-Solenoid-36vdc	[11]
24	56116249	1	HOSE-SOLUTION FEED-DISC	
25	56118191	1	BLADE-FRONT-34D-LINARD	[12]
	56118188	1	BLADE-FRONT-40D-LINARD	[12]
26		2	Deck Trailing Arm Assembly	[1]
26a		8	Bearing-Flange-16x18x6mm	[1]
27	56116545	2	KNOB-M12-LOBE	
28	56116755	2	CLICK-ON ASSEMBLY-34D	[9]
28	56116756	2	CLICK-ON ASSEMBLY-40D	[10]
29		2	Bushing	[4]
30		1	Pin-Clevis 18x50 Iso2341-B	[8]
31		1	Pin-Clevis 10x70 Iso2341-B	[7]
32		8	Scr Hex M6x30 Ss W/Thd Lck	[4]
33		2	Plate-Stop	[5]
34		1	Actuator Assembly-Complete	
35	56601276	1	BRUSH PLATE ASSEMBLY	
35		1	Clamp, Hose 15-24 Size8	[3]
36	56601384	1	BRUSH PLATE ASSEMBLY	
37		1	Hair Pin Cotter A2,5	[7]
38		2	Washer, Flat 13.0x24.0x2.5 SS	[1]
39		4	Screw M8x30 Carriage Iso8677	[5]
40		4	Nut, Hex Nyl Loc M12 S.S.	[13]
41		2	Screw M10x25 Hex Hd F/Thd	[8]
42		4	Nut, Hex Nyl Loc Thin M6 SS	[4]
43		1	Clamp, Hose 15-24 Size8	[3]
44		2	Screw M12x30 Iso4017 Ss	[4]
			Service Kits	
K1	56116881	1	LIFT ARM KIT-CENTER	
K2	56116882	1	TRAILING ARM KIT-BOTH SIDES	
K10	56116928	1	STOP KIT-BOTH SIDES	
K12	56116982	1	HARDWARE KIT-SIDE WIPER	
K13	56118038	1	HARDWARE KIT-ACTUATOR	
K16	56116875	1	SOLENOID VALVE KIT	

Pos.	Product no	QTY	Description	Notes
K17	56116891	1	SOLENOID SEAL KIT	[14]
K30	56118050	1	RIVET KIT	
K32	56116994	1	HARDWARE KIT-DISK DECK	
K33	56116992	1	HARDWARE KIT-ELECTRICAL	
K34	56118185	1	SOLENOID SEAL KIT	[15]

Part Notes:

- [1] - K2
- [2] - K33
- [3] - K16
- [4] - K32
- [5] - K10
- [6] - K30
- [7] - K13
- [8] - K1
- [9] - 860D
- [10] - 1050D
- [11] - K16,K17
- [12] - TSB-FC-2020-002 SC6000 Disc Deck Skirt Blade Upgrade
DE TSB-FC-2020-002 SC6000 Schürze Bürstendeck Aktualisierung
- [13] - K2,K32
- [14] - for #56116248
- [15] - for #56118184



Scrub System-Disc-Left Side Blade Assembly

SC6000 910C NIL

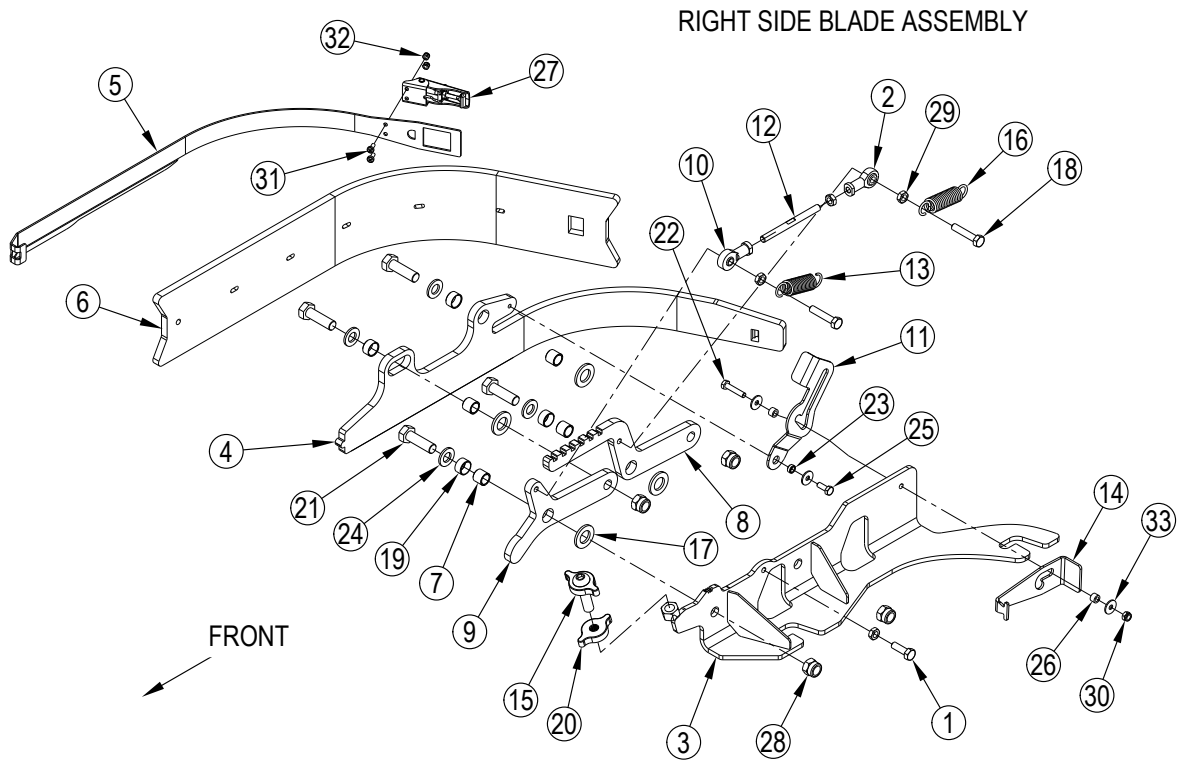
2017.11.02

2018.11.27

Pos.	Product no	QTY	Description	Notes
	56116215	1	SIDE BLADE ASSEMBLY-LEFT	
1		1	Screw M8x25 Hex Hd F/Thd SS	[1]
2		1	Joint M8	[2]
3	56116217	1	SIDE BLADE MOUNT WELDMENT-LEFT	
4	56116223	1	SIDE BLADE SUPPORT WELDT-LEFT	
5		1	Strap-Side Blade-Left	[3]
6		1	Blade-Deck-Linatex	[4]
6		1	Blade-Deck-PU	[5]
7		4	Bushing-Sleeve-.507x.625x.527	[6]
8	56116233	1	ARM-SIDE BLADE-REAR	
9	56116234	1	ARM-SIDE BLADE-FRONT	
10		1	Rod End-M8-Lh	[2]
11	56116237	1	LATCH-DOUBLE SCRUB-LEFT	
12		1	Rod-Threaded	[2]
13	56116239	1	SPRING-EXTENSION-0.75X2.96IN	
14	56116240	1	CLIP-SPRING ADJUSTMENT	
15		1	Knob Assembly	[7]
16	56116846	1	SPRING-EXTENSION 0.75X3.00IN	
17		4	Washer 17x30x3 Iso7089 SS	[6]
18		2	Screw M8x40 Uni5739 SS	[1]
19		4	Bearing, .719 X .625 X .375	[6]
20		1	Knob	[8]
21		4	Screw M12x40 A2 Din93	[6]
22		1	Screw M6x30 Hex Hd F/Thd SS	[6]
23		1	Spacer 6.5x10x4.5	[6]
24		4	Washer, Flat 13.0x24.0x2.5 SS	[6]
25		1	Screw M6x16 Hex Hd F/Thd SS	[6]
26		2	Spacer 6.1 X 10 X 6.5	[6]
27		1	Latch Squeegee	[3]
28		4	Nut, Hex Nyl Loc M12 S.S.	[6]
29		4	Nut Hex M8 Uni5589 SS	[1]
30		1	Nut, Hex Nyl Loc Thin M6 SS	[6]
31		2	Scr, Pan Phil M4x10 SS	[3]
32		2	Nut, Hex Nyl Loc Thin M4 SS	[3]
33		3	Washer Flat XI 6x18x1.5 - SS	[6]
			Service Kits	
K8	56116981	1	LEVEL ADJUST KIT-SIDE WIPER	
K9	56116983	1	KNOB KIT-SIDE WIPER	
K12	56116982	1	HARDWARE KIT-SIDE WIPER	
K14	56116706	1	SIDE BLADE KIT-LINATEX	
K15	56116709	1	SIDE BLADE KIT-PU	
K31	56116929	1	DISK STRAP KIT-BOTH SIDES	

Part Notes:

- [1] - K8,K12
- [2] - K8
- [3] - K31
- [4] - K14
- [5] - K15
- [6] - K12
- [7] - K9
- [8] - K9,K12



Scrub System-Disc-Right Side Blade Assembly

SC6000 910C NIL

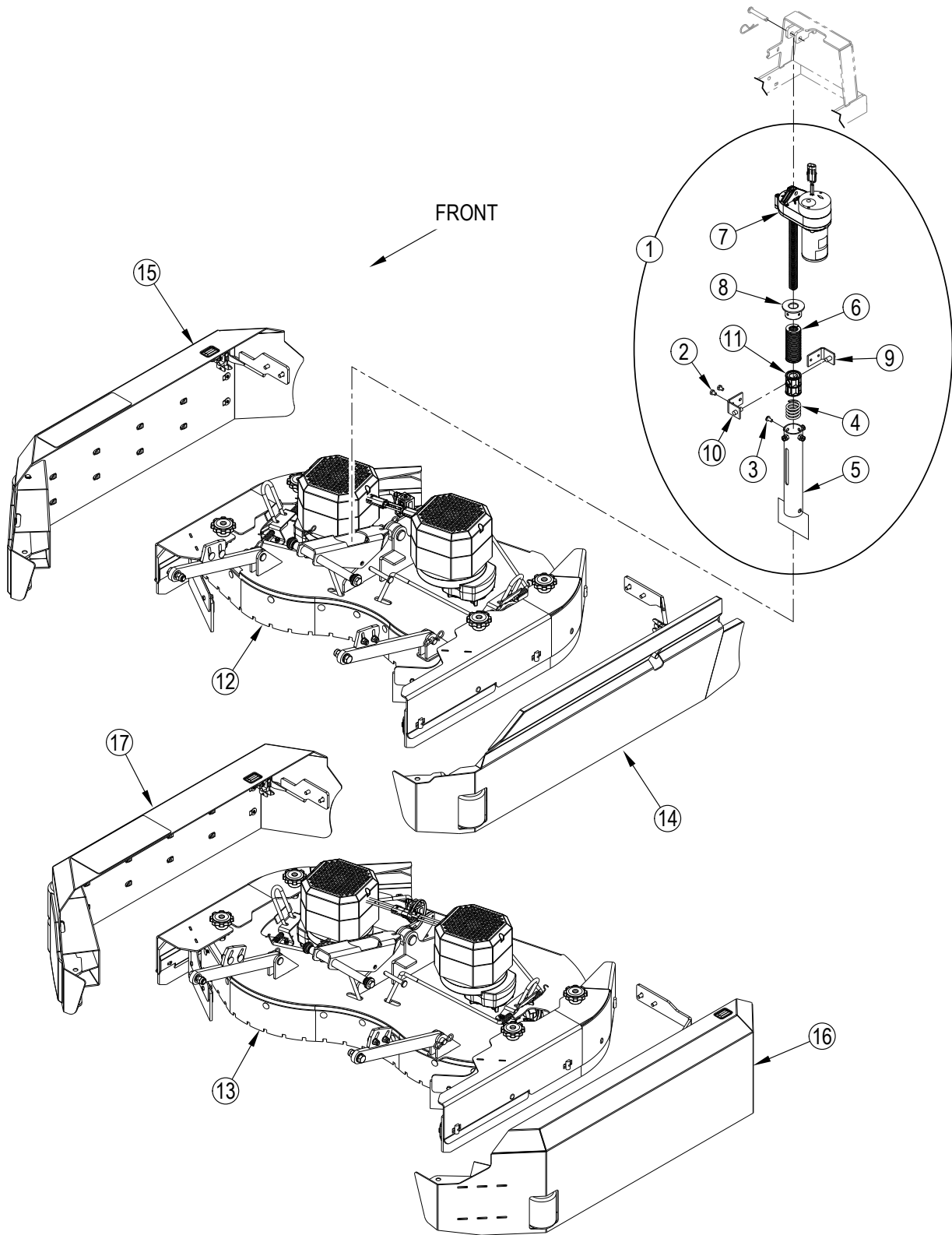
2017.11.02

2018.11.27

Pos.	Product no	QTY	Description	Notes
	56116214	1	SIDE BLADE ASSEMBLY-RIGHT	
1		1	Screw M8x25 Hex Hd F/Thd SS	[1]
2		1	Joint M8	[2]
3	56116216	1	SIDE BLADE MOUNT WELDMENT-RT	
4	56116222	1	SIDE BLADE SUPPORT WELDT-RIGHT	
5		1	Strap-Side Blade-Right	[3]
6		1	Blade-Deck-Linatex	[4]
6		1	Blade-Deck-PU	[5]
7		4	Bushing-Sleeve-.507x.625x.527	[6]
8	56116233	1	ARM-SIDE BLADE-REAR	
9	56116234	1	ARM-SIDE BLADE-FRONT	
10		1	Rod End-M8-Lh	[1]
11	56116236	1	LATCH-DOUBLE SCRUB-RIGHT	
12		1	Rod-Threaded	[1]
13	56116239	1	SPRING-EXTENSION-0.75X2.96IN	
14	56116240	1	CLIP-SPRING ADJUSTMENT	
15		1	Knob Assembly	[7]
16	56116846	1	SPRING-EXTENSION 0.75X3.00IN	
17		4	Washer 17x30x3 Iso7089 SS	[6]
18		2	Screw M8x40 Uni5739 SS	[1]
19		4	Bearing, .719 X .625 X .375	[6]
20		1	Knob	[8]
21		4	Screw M12x40 A2 Din93	[6]
22		1	Screw M6x30 Hex Hd F/Thd SS	[6]
23		1	Spacer 6.5x10x4.5	[6]
24		4	Washer, Flat 13.0x24.0x2.5 SS	[6]
25		1	Screw M6x16 Hex Hd F/Thd SS	[6]
26		2	Spacer 6.1 X 10 X 6.5	[6]
27		1	Latch Squeegee	[3]
28		4	Nut, Hex Nyl Loc M12 S.S.	[6]
29		4	Nut Hex M8 Uni5589 SS	[1]
30		1	Nut, Hex Nyl Loc Thin M6 SS	[6]
31		2	Scr, Pan Phil M4x10 Ss	[3]
32		2	Nut, Hex Nyl Loc Thin M4 SS	[3]
33		3	Washer Flat XI 6x18x1.5 - SS	[6]
			Service Kits	
K8	56116981	1	LEVEL ADJUST KIT-SIDE WIPER	
K9	56116983	1	KNOB KIT-SIDE WIPER	
K12	56116982	1	HARDWARE KIT-SIDE WIPER	
K14	56116706	1	SIDE BLADE KIT-LINATEX	
K15	56116709	1	SIDE BLADE KIT-PU	
K31	56116929	1	DISK STRAP KIT-BOTH SIDES	

Part Notes:

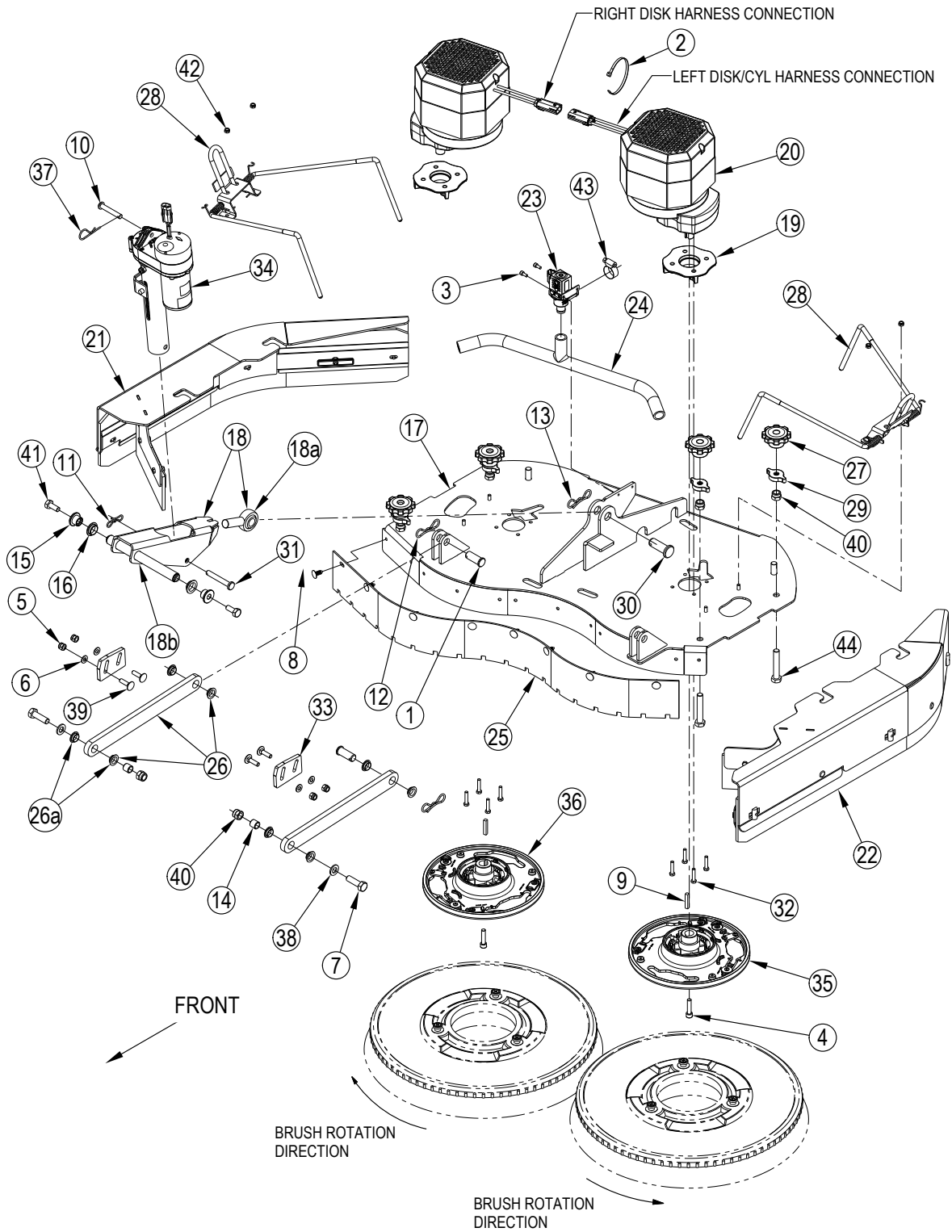
- [1] - K8,K12
- [2] - K8
- [3] - K31
- [4] - K14
- [5] - K15
- [6] - K12
- [7] - K9
- [8] - K9,K12



Pos.	Product no	QTY	Description	Notes
1		1	Complete Actuator Assembly	
2		2	Scr, Hex Thd Form 1/4-20 X0.38	[1]
3		4	Scr, Pan Phil Thd Form 1/4-20x .50	[1]
4		1	Spring-Compression 1.40x1.40in	[1]
5		1	Spring Housing Weldment	[1]
6		1	Spring-Compression-1.44x3.50 In	[1]
7	56118041	1	ACTUATOR ASSEMBLY-HEAVY DUTY	[1]
8		1	Spring Housing Guide	[1]
9		1	Nut Retainer	[1]
10		1	Nut Retainer	[1]
11	56388520	1	NUT PLASTIC	[1]
12		1	Fixed Skirt Disc Deck Assembly-34d	[2]
13		1	Fixed Skirt Disc Deck Assembly-40d	[3]
14		1	Door Assembly-Left-34d	
15		1	Door Assembly-Right-34d	
16		1	Door Assembly-Left-40d/36c	
17		1	Door Assembly-Right-40d	
			Service Kits	
K1	56118048	1	SPRING HOUSING KIT-ACTUATOR	

Part Notes:

- [1] - K1
- [2] - 860D
- [3] - 1050D



Scrub System-Fixed Skirt Disc-Deck Assembly

SC6000 910C NIL

2019.11.06

2020.03.09

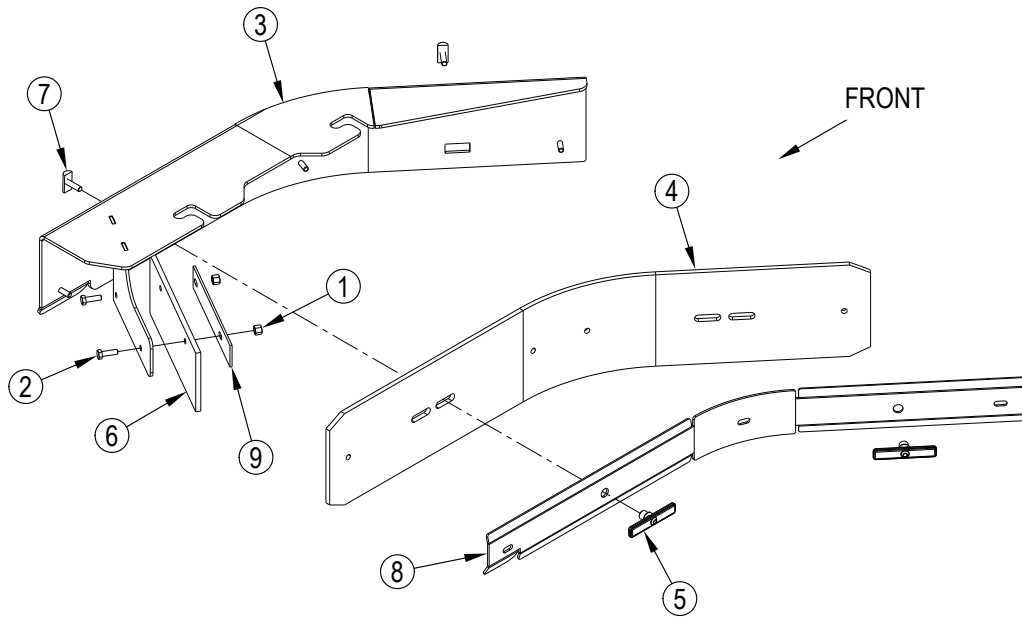
Pos.	Product no	QTY	Description	Notes
1		2	Pin D.16	[1]
2		1	Clamp 290x4.8	[2]
3		2	Screw Soc. Hd M5x12 SS	[3]
4		2	Screw Soc. Hd M8x35 SS	[4]
5		4	Nut, Hex Nyl Loc Hvy M8	[5]
6		4	Washer, Flat 8.4x16x1.6	[5]
7		2	Screw M12x40 Hex Hd F/Thd - 12k	[1]
8		9	Rivet, Nylon Tree Push-In (.25)	[6]
9		2	Key, Square .25 X 1.44	[4]
10		1	Pin-Clevis .375 X 2.25	[7]
11		1	Pin- Bow-Tie Cotter 7/16 - 1/2	[7]
12		2	Pin-Bow Tie Cotter 5/8	[1]
13		1	Pin-Bow Tie Cotter 3/4	[8]
14		2	Bushing-12.5x16x14.48mm	[1]
15		2	Bushing-Lift Arm Pivot	[8]
16		2	Bearing-Flange-20x23x7mm	[8]
17	56116201	1	SCRUB DECK WELDMENT-34D	[9]
	56116200	1	SCRUB DECK WELDMENT-40D	[10]
18		1	Deck Lift Arm Assembly	[8]
18a		1	Rod End-Spherical-18mm-Male	[8]
18b		1	Lift Arm Weldment	[8]
19	56116212	2	SPACER-MOTOR	
20	56116213	2	GEARMOTOR-36VDC-250RPM-1.0HP	
	56422152	1	MOTOR BRUSH KIT	[11]
21	56116090	1	CAP-SOLUTION	
22	56118089	1	FIXED SIDE BLADE ASSY-LEFT	
23		1	Valve-Solenoid-36vdc	
24	56116249	1	HOSE-SOLUTION FEED-DISC	
25	56118191	1	BLADE-FRONT-34D-LINARD	[12]
	56118188	1	BLADE-FRONT-40D-LINARD	[12]
26		2	Deck Trailing Arm Assembly	[1]
26a		8	Bearing-Flange-16x18x6mm	[1]
27	56380149	4	KNOB - M12-1.75 THRU	
28	56116755	2	CLICK-ON ASSEMBLY-34D	
	56116756	2	CLICK-ON ASSEMBLY-40D	
29	56601578	4	KNOB	
30		1	Pin-Clevis 18x50 Iso2341-B	[8]
31		1	Pin-Clevis 10x70 Iso2341-B	[7]
32		8	Scr Hex M6x30 Ss W/Thd Lck	[4]
33		2	Plate-Stop	[5]
34		1	Actuator Assembly-Complete	
35	56601276	1	BRUSH PLATE ASSEMBLY	
36	56601384	1	BRUSH PLATE ASSEMBLY	
37		1	Hair Pin Cotter A2,5	[7]
38		2	Washer, Flat 13.0x24.0x2.5 SS	[1]
39		4	Screw M8x30 Carriage Iso8677	[5]
40		6	Nut, Hex Nyl Loc M12 S.S.	[13]
41		2	Screw M10x25 Hex Hd F/Thd	[8]
42		4	Nut, Hex Nyl Loc Thin M6 SS	[4]
43		1	Clamp, Hose 15-24 Size8	[3]
44	56003658	4	SCR THD TO HD SS M12-1.75X70MM	
			Service kit	
K1	56116881	1	LIFT ARM KIT-CENTER	
K2	56116882	1	TRAILING ARM KIT-BOTH SIDES	
K10	56116928	1	STOP KIT-BOTH SIDES	
K13	56118038	1	HARDWARE KIT-ACTUATOR	
K16	56116875	1	SOLENOID VALVE KIT	
K17	56116891	1	SOLENOID SEAL KIT	[14]
K30	56118050	1	RIVET KIT	[15]

Pos.	Product no	QTY	Description	Notes
K32	56116994	1	HARDWARE KIT-DISK DECK	
K34	56118185	1	SOLENOID SEAL KIT	[16]

Part Notes:

- [1] - K2
- [2] - K33
- [3] - K16
- [4] - K32
- [5] - K10
- [6] - K30
- [7] - K13
- [8] - K1
- [9] - 860D
- [10] - 1050D
- [11] - M1, M2
- [12] - TSB-FC-2020-002 SC6000 Disc Deck Skirt Blade Upgrade
- [13] - K2,K32
- [14] - for #56116248
- [15] - Kit includes 9 pcs. of pos. 8
- [16] - for #56118184

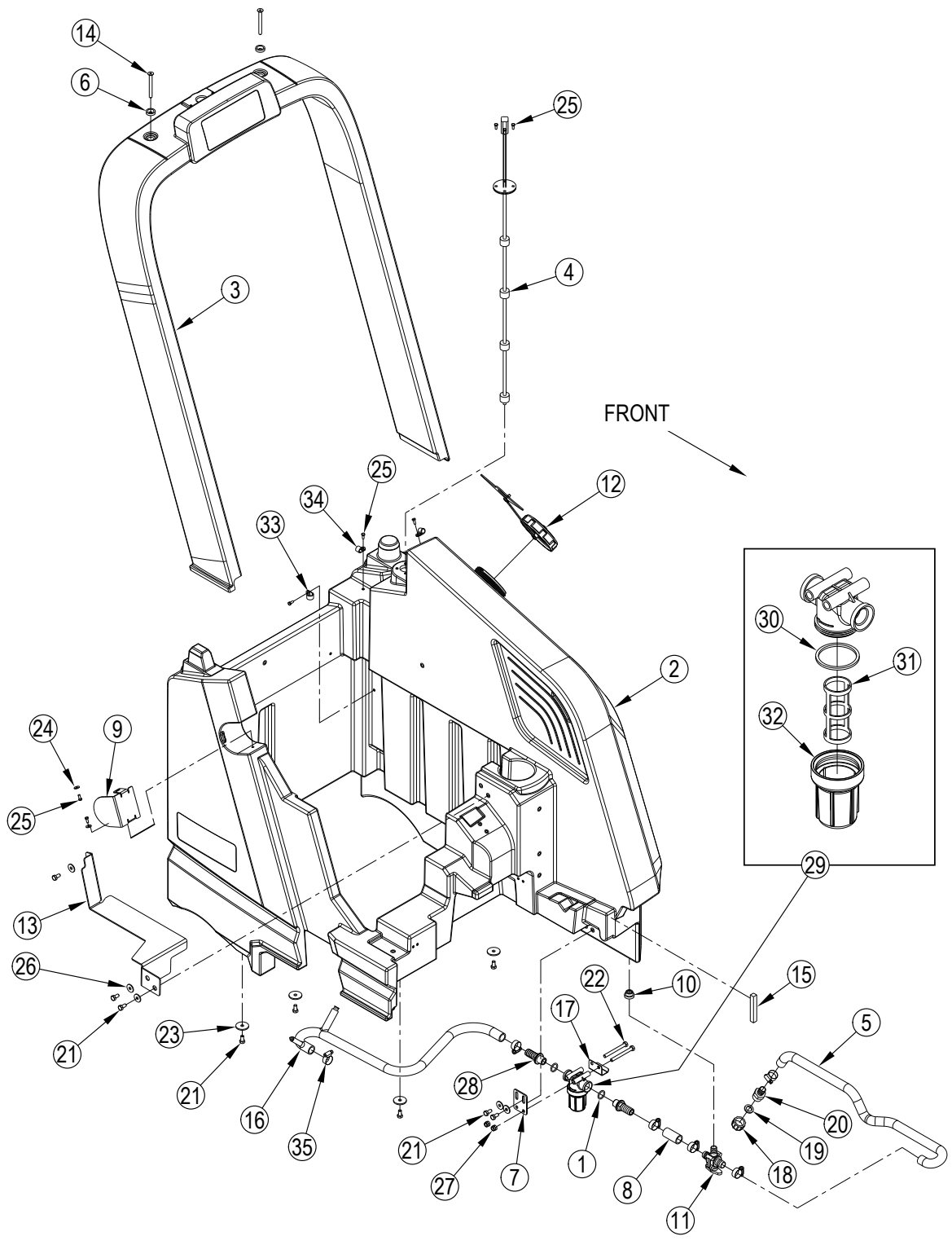
RIGHT FIXED SIDE BLADE ASSEMBLY



Pos.	Product no	QTY	Description	Notes
	56118090	1	FIXED SIDE BLADE ASSY-RIGHT	
1	56003426	2	NUT HEX NYL LOC SS M6	
2	56003454	2	SCR HEX THD TO HD SS M6-1X20MM	
3	56118082	1	BLADE WELDT-FIXED-SIDE-RT	
4		1	Blade	[1]
5	56413717	2	THUMB NUT	
6		1	Blade	[1]
7	56413850	2	SKIRT RETAINER ASSEMBLY	
8	56413985	1	STRAP-RIGHT 40D-45D-48D	
9	56413991	1	STRAP	
			Service kit	
K1	56413754	1	BLADE KIT-DISC PU 40	

Part Notes:

[1] - K1

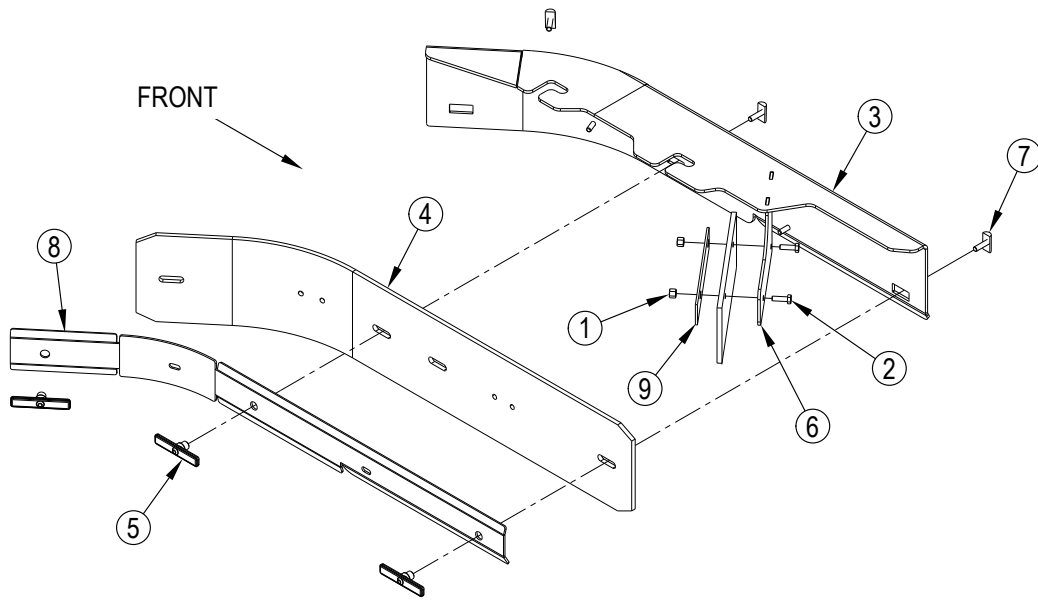


Pos.	Product no	QTY	Description	Notes
1		2	O-Ring 5X20 Metric NBR 70SH	[1]
2	56116083	1	TANK-SOLUTION.	
3	56116101	1	CROSS BAR	
4	56116372	1	SENSOR-SOLUTION LEVEL	
5		1	Hose-Drain	[2]
6		2	Washer-Cosmetic-Ss-M8	[3]
7	56116658	1	BRACKET-FILTER MOUNT	
8	56116664	1	HOSE-20X26X52MM	
9	56116666	1	PANEL-COVER	
10	56116721	1	GROMMET .59X.78X.62IN	
11	56116759	1	VALVE-BALL-5/8X3/4IN BRB	
12	56116763	1	SOLUTION CAP ASSEMBLY	
	56116683	1	GASKET-SOLUTION CAP	
13	56116790	1	SUPPORT-SEAT	
14		2	Screw M8x80 Din7991 Ss Black	[3]
15	56116931	1	SEAL-TANK GAP	
16	56116934	1	HOSE ASSEMBLY MANIFOLD	
17		1	Clip-Drain Hose	[1]
18		1	Cap, Pipe Ght Nylon	[2]
19		1	Washer-Rubber	[2]
20		1	Barb, Adapter 3/4 X 3/4ght	[2]
21		9	Screw M8x16 Hex Hd F/Thd Ss Iso4017	[3]
22		2	Screw M8x80 Hex Hd F/Thd Iso4017	[1]
23		4	Washer Flat XI 8.5x36.0x3.0	[3]
24		2	Washer Flat XI 5.5x15.0x1.6 Ss	[3]
25		9	Screw M5x12 Hex Hd F/Thd Iso4017	[3]
26		5	Washer 8x24x2 Uni6593 Ss	[3]
27		2	Nut, Hex Nyl Loc M8 Ss	[1]
28		2	Elbow Ø20	[1]
29		1	Filter Water	[1]
30	9097943000	1	GASKET FOR WATER FILTER	
31	9097944000	1	FILTER NET SS 50 MESH FOR WATER	
32	9097945000	1	COVER TRANSPARENT FOR WATER FILTER	
33		1	Clamp Cable D.16	[3]
34		2	Clamp, Cable Ø12.7	[3]
35		6	Clamp, Hose 15-24 Size8	[4]
			Service Kits	
K1	56116923	1	DRAIN HOSE KIT	
K2	56118174	1	FILTER KIT	
K3	56116925	1	HARDWARE KIT-SOLUTION SYSTEM	

Part Notes:

- [1] - K2
 [2] - K1
 [3] - K3
 [4] - K1,K2,K3

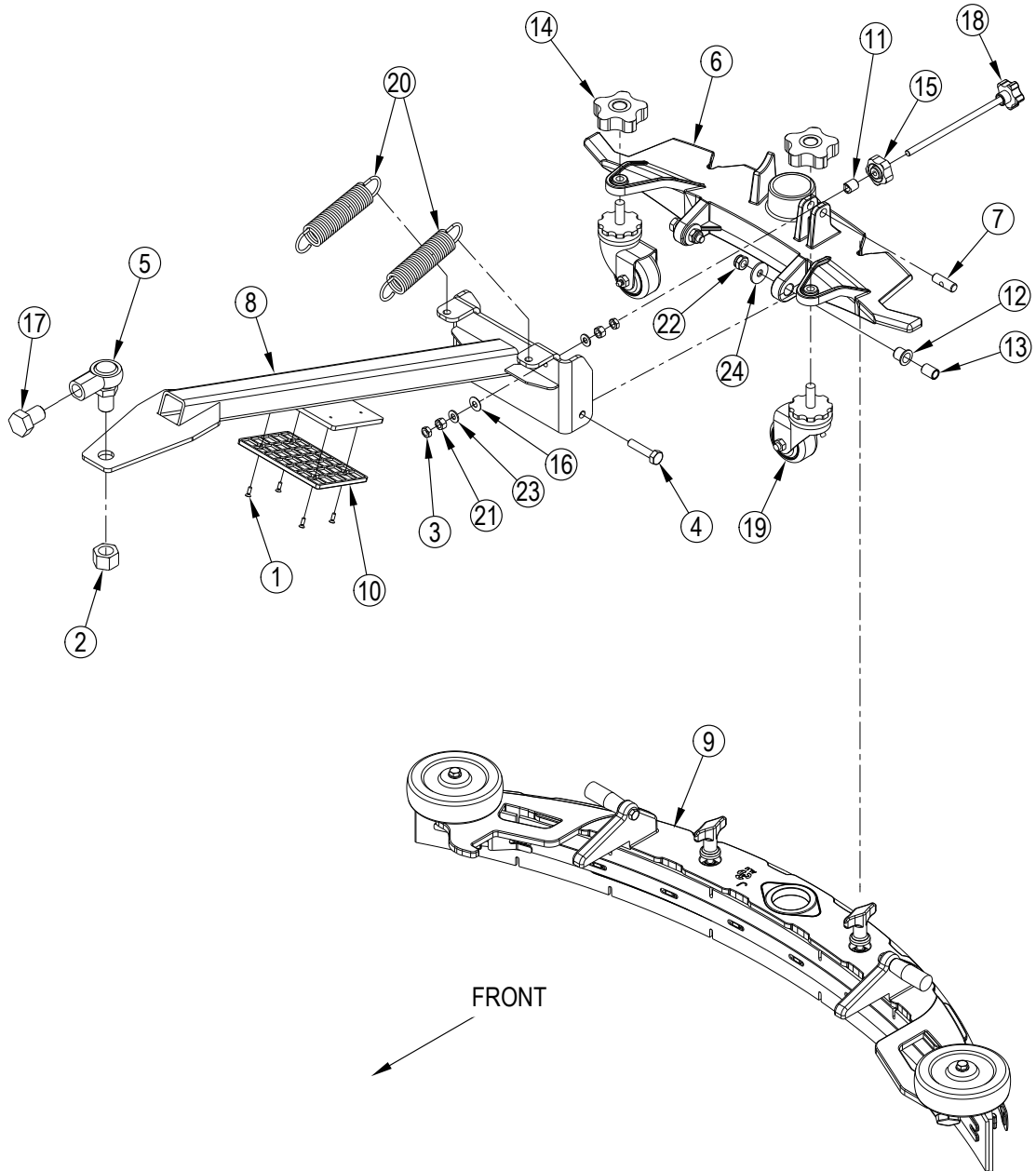
LEFT FIXED SIDE BLADE ASSEMBLY



Pos.	Product no	QTY	Description	Notes
	56118089	1	FIXED SIDE BLADE ASSY-LEFT	
1	56003426	2	NUT HEX NYL LOC SS M6	
2	56003454	2	SCR HEX THD TO HD SS M6-1X20MM	
3	56118083	1	BLADE WELDT-FIXED-SIDE-LT	
4		1	Blade Left 40	[1]
5	56413717	3	THUMB NUT	
6		1	Blade	[1]
7	56413850	3	SKIRT RETAINER ASSEMBLY	
8	56413981	1	STRAP-LEFT 40D	
9	56413991	1	STRAP	
			Service Kits	
K1	56413754	1	BLADE KIT-DISC PU 40	

Part Notes:

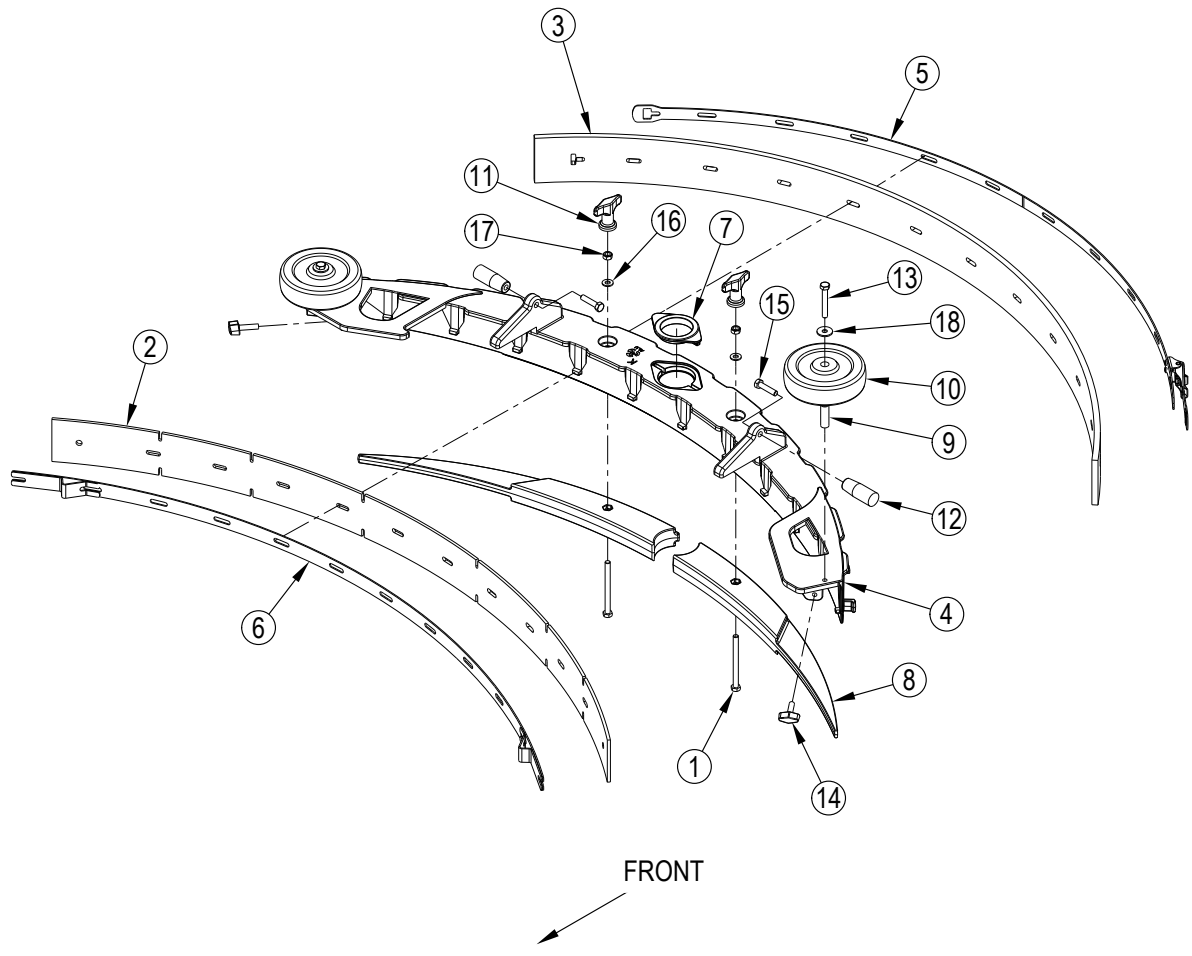
[1] - K1



Pos.	Product no	QTY	Description	Notes
1		4	Countersunk Screw M4x12	[1]
2		1	Nut-Hex 220x1.5 Iso8673 8.8	[2]
3		2	Nut, Hex Thin M8	[3]
4		2	Screw M10x45 Hex Hd F/Thd Ss Iso4017	[4]
5		1	Rod End-20mm	[2]
6	56116393	1	MOUNT-SQUEEGEE	
7		1	Pin-Squeegee Tilt	[3]
8	56116398	1	SQUEEGEE ARM WELDMENT	
9	56116399	1	SQUEEGEE ASSEMBLY-J	[5]
9	56116400	1	SQUEEGEE ASSEMBLY-K	[6]
10		1	Wear Plate-Squeegee	[1]
11		1	Spacer-Squeegee Tilt	[3]
12		2	Bearing-Flange-14x16x17mm	[4]
13		2	Bushing	[4]
14	56116545	2	KNOB-M12-LOBE	
15		1	Knob-M8-Lobe Short	[3]
16		1	Washer-Bevel-8.2x20x0.7x1.35mm	[3]
17		1	Screw M20x1.5x30 Uni5740 Ss	[2]
18		1	Tilt Rod Assembly	[3]
19	56116907	2	CASTER ASSEMBLY	
20	56116974	2	SPRING-EXTENSION	
21		2	Nut Hex Hvy M8	[3]
22		2	Nut M10 Hex Loc Thin Ss Iso 10511	[4]
23		2	Washer, Flat 8x17x1.6 Ss	[3]
24		2	Washer Flat XI 10x30x2.5-Ss	[4]
			Service Kits	
K1	56116894	1	SQUEEGEE TILT ADJUSTER KIT	
K2	56116895	1	SQUEEGEE WEAR PLATE KIT	
K3	56116896	1	SQUEEGEE MOUNT ROD END KIT	
K6	56116893	1	HARDWARE KIT-SQUEEGEE	

Part Notes:

- [1] - K2
- [2] - K3
- [3] - K1
- [4] - K6
- [5] - 860D Disc Model / Linard and Linatex Rubber Blades
- [6] - 910C Cylindrical Model 1050D Disc Model /Linard and LinatexRubber Blades



Pos.	Product no	QTY	Description	Notes
1		2	Scr-Hex Thd/Hd Ss 5/16-18x3.75	[1]
2		1	Blade-Squeegee-Linard K-Fr	[2]
3	56116376	1	BLADE-REAR-LINATEX-K	[2]
		1	Blade-Squeegee-PU K-Front	[3]
		1	Blade-Squeegee-PU K-Rear	[3]
4	56116379	1	SQUEEGEE-K	
5	56116381	1	SQUEEGEE STRAP ASSEMBLY-RR-K	
6	56116382	1	SQUEEGEE STRAP WELDMENT-FR-K	
7	56116388	1	SEAL-SQUEEGEE	
8	56116492	2	INSERT-SQUEEGEE AIRFLOW-K	
9		2	Bushing-.344x.500x1.56in	[4]
10		2	Wheel 5.00 X 1.50	[4]
11		2	Nut Thumb	[1]
12		2	Handle Lever	[1]
13		2	Screw M8x55 Hex Hd F/Thd Ss Iso4017	[4]
14		2	Knob M8x30 Stainless Steel	[1]
15		2	Screw M8x35 Hex Hd F/Thd Ss Iso4017	[1]
16		4	Washer, Flat 8x17x1.6 Ss	[5]
17		2	Nut Self L. 5/16 Unc Ss	[1]
18		2	Washer Flat XI Uni-6593 8x24	[4]
			Service Kits	
K4	56116911	1	SQUEEGEE ROLLER KIT-BOTH	
K5	56116912	1	SQUEEGEE KNOB KIT-BOTH Squeegee Knob Kit	
K8	56116705	1	SQUEEGEE BLADE KIT- LINATEX K	
K10	56116708	1	SQUEEGEE BLADE KIT-PU K	

Part Notes:

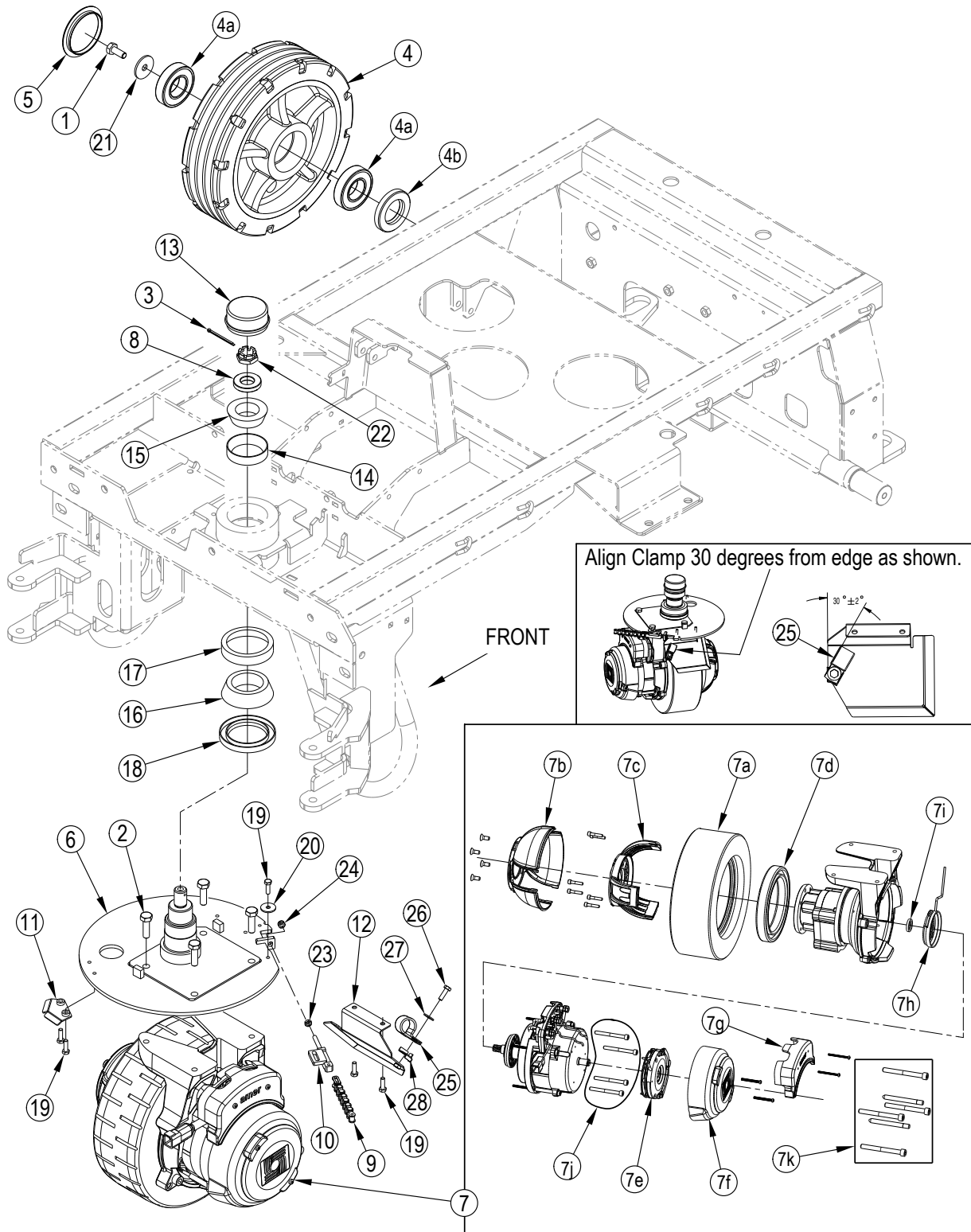
- [1] - K5
- [2] - K8

All squeegee blade kits include both front and rear squeegee blades

- [3] - K10

All squeegee blade kits include both front and rear squeegee blades. Optional, Not Included

- [4] - K4
- [5] - K4,K5



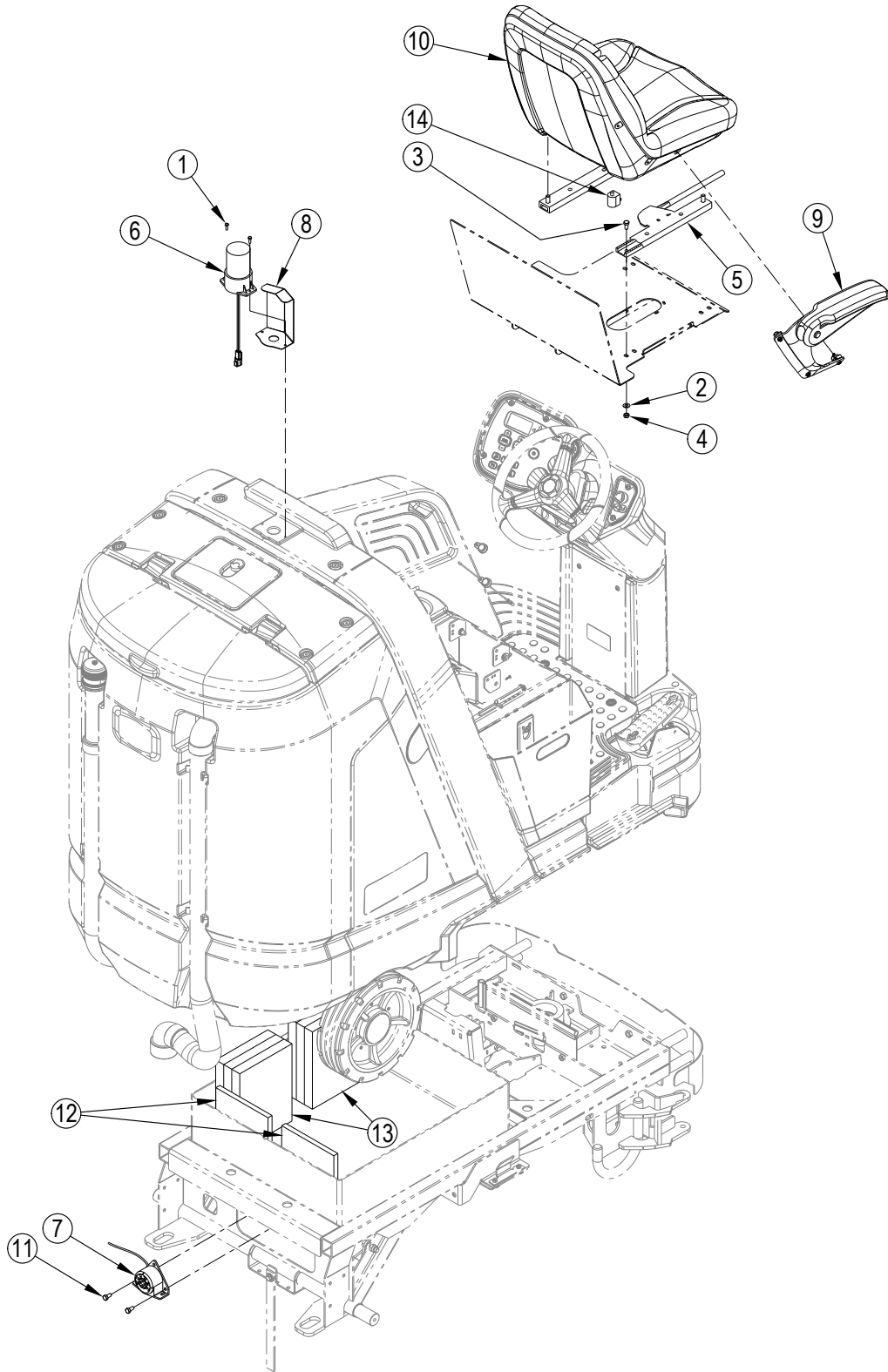
Pos.	Product no	QTY	Description	Notes
1		2	Screw M10x25 Hex Hd F/Thd	[1]
2		4	Screw M10x35 Hex Hd F/Thd	[2]
3		1	Pin Cotter 3 X 50 Iso 1324	[3]
4		2	Wheel-Rear-Pu 12x3.5in	[4]
4a		2	Bearing-Ball-1.378x2.835x.669	[5]
4b		1	Seal-Oil	[5]
5	56116032	2	CAP-HUB	[6]
6	56116305	1	SPINDLE PLATE WELDMENT	
7	56118189	1	WHEEL-DRIVE-12 IN	[7]
7a	56118190	1	WHEEL-DRIVE-12 IN-RED	
7b	56116806	1	COVER MOTOR	
7c	56116807	1	COVER DRIVE	
7d	56116809	1	BEARING	
7e	56118156	1	BRAKE-PARKING	
7f	56116811	1	COVER BRAKE	
7g	56116812	1	COVER ELEC	
7h	56118177	1	DRIVE MOTOR ENCODER KIT	
7i	56412321	1	SEALING RING	
7j	56422174	1	TIRE PULLER KIT	
7k	56118178	4	MOTOR SCREW KIT	
8		1	Washer-22x44x8mm	[8]
9		1	Chain-Roller	[9]
10		1	Chain Tensioner Weldment	[9]
11		1	Chain Guide Weldment	[9]
12	56116936	1	BRACKET-WIRE GUIDE	
13	56483135	1	CAP GREASE	[8]
14		1	Bearing, Cup	[8]
15		1	Bearing, Cone	[8]
16		1	Bearing, Cone	[8]
17		1	Bearing, Cup	[8]
18		1	Seal-Shaft-88.9x63.5x9.5	[8]
19		5	Screw M6x20 Hex Hd F/Thd Ss ISO4017	[10]
20		1	Washer Flat XI 6.6x24.0x2.0 Ss	[10]
21		2	Washer Flat XI 11.0x40.0x3.0	[1]
22		1	Nut Hex M20x1.5 Uni5594	[3]
23		1	Nut Hex M6 Uni5589 Ss	[9]
24		1	Nut, Hex Nyl Loc Thin M6 Ss	[9]
25		1	Clamp, Hose Support	[2]
26		6	Screw M6x20 Hex Hd F/Thd Ss ISO4017	[2]
27		1	Washer Flat XI 6x18x1.5 - Ss	[2]
28		1	Bracket Alignment	[2]
			Service Kits	
K1	56116916	1	STEERING CHAIN KIT	
K2	56116918	1	SPINDLE BEARING KIT	
K3	56116033	1	BEARING KIT-REAR WHEEL	
K4	56116919	1	REAR WHEEL KIT	
K5	56116917	1	HARDWARE KIT-WHEEL SYSTEM	

Part Notes:

- [1] - K3,K4,K5
- [2] - K5
- [3] - K2,K5
- [4] - K4
- [5] - K3
- [6] - K3,K4

- [7] - M11
 - TSB-FC-2019-028 SC6000 Drive Motor Upgrade
 - DE TSB-FC-2019-028 SC6000 Aktualisierung des Fahrmotors

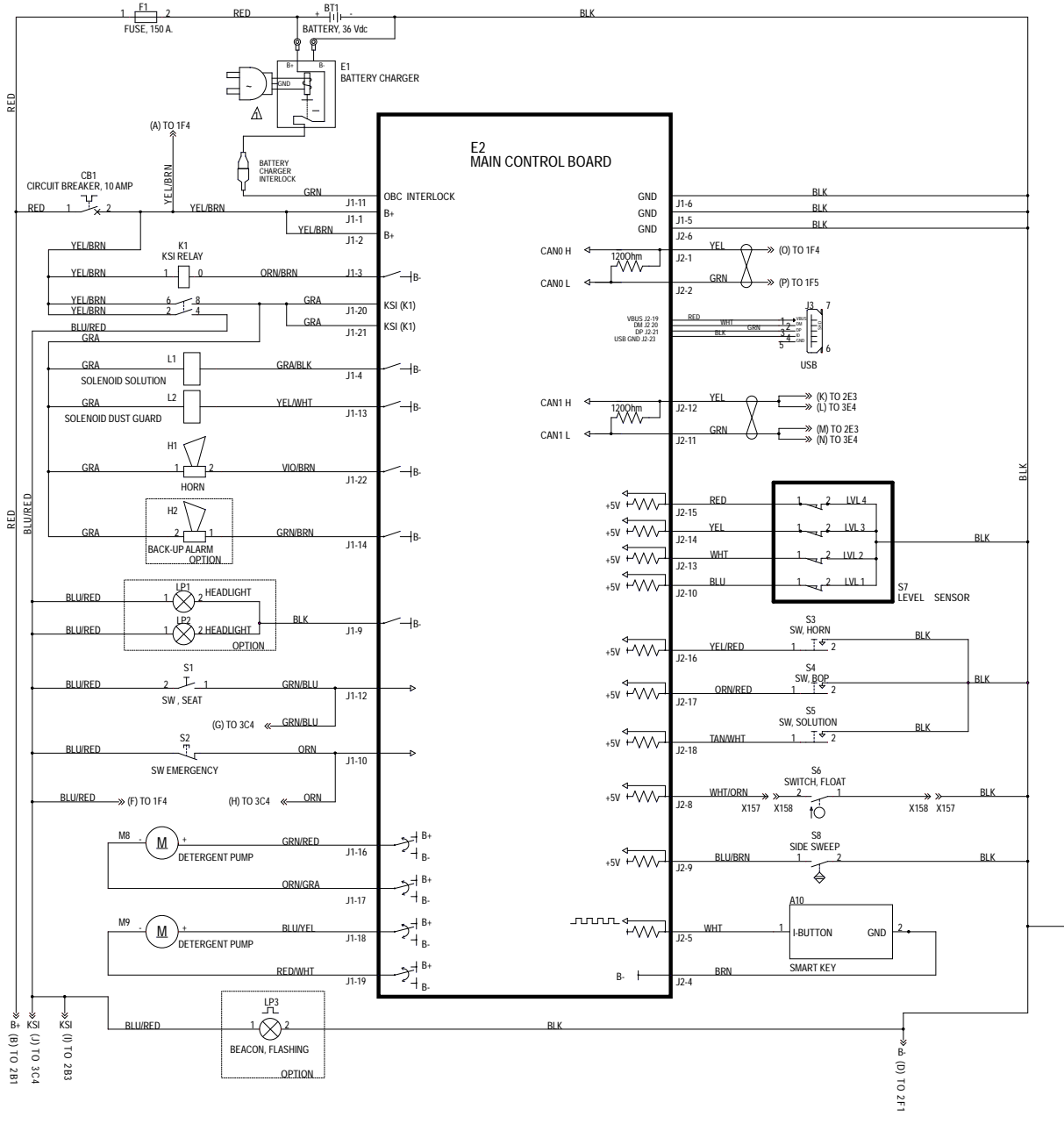
 - TSB-FC-2020-005 SC6000 Loose UVW drive motor wires
 - DE TSB-FC-2020-005 SC6000 Lose UVW Kabel am Fahrmotor
- [8] - K2
- [9] - K1
- [10] - K1,K5



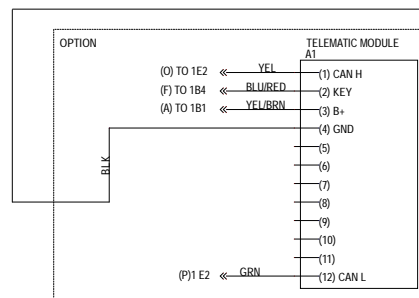
Pos.	Product no	QTY	Description	Notes
1	33003961	2	SCREW M5X14 HEX HD F/THD ISO4017	
2	56001939	4	WSH FLT SAE 5/16	
3	56002035	4	SCR HEX 5/16-18 X .62	
4	56002826	4	NUT HEX NYL LOC-THIN 5/16-18	
5	56109300	1	SLIDE KIT NO STUDS	
6	56116353	1	BEACON-WARNING LED	[1]
7	56116374	1	BACK-UP ALARM	[2]
8	56116595	1	BRACKET-BEACON	
9	56383189	1	ARM REST KIT-R/H ONLY	
10	56383292	1	SEAT-11.25 IN. MOUNT	
11	145 0521 000	2	SCREW M8X16 HEX HD F/THD SS ISO4017	
12	145 6094 000	2	PANEL BATTERY FOAM ADHES. 250X195X15MM	
13	146 0668 000	6	PANEL BATTERY FOAM ADHES. 250X195X30MM	
14	7-82-00050	1	SWITCH SEAT	[3]

Part Notes:

- [1] - H2
- [2] - LP3
- [3] - S1



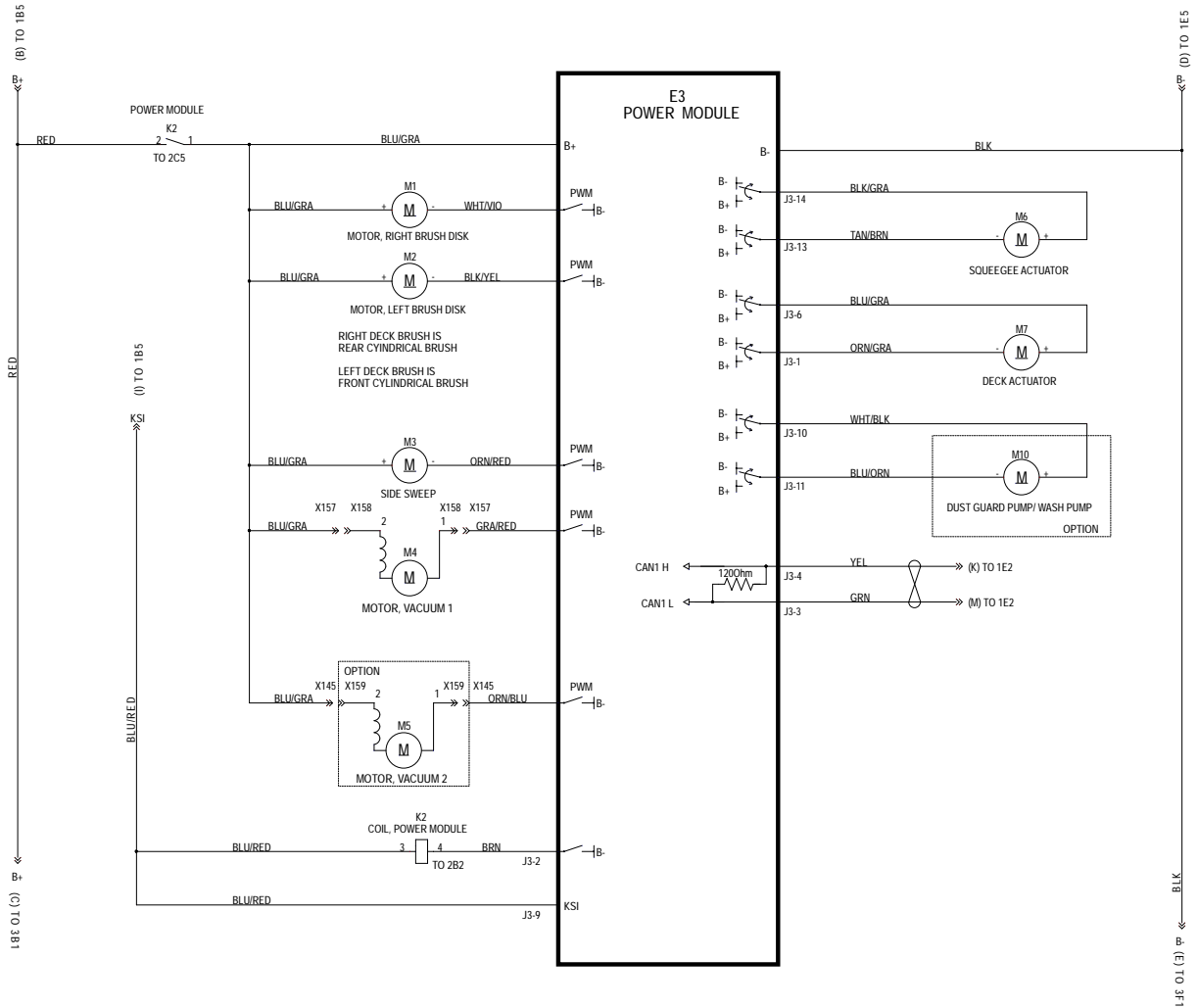
Ladder Diagram 56116048 REV D



Pos.	Product no	QTY	Description	Notes
A1		1	Telematics Module	[1]
A10	56116518	1	SMART KEY-USER	
A11	56118157	1	FOOT PEDAL ASSEMBLY	
BT1	N/A	1	Battery	
CB1	56507644	1	CIRCUIT BREAKER 10 AMP	
E1	56315774	1	CHARGER-ON BOARD 36V	[1]
E2	56118166	1	PCB BOX ASSEMBLY	
E3	56116087	1	MODULE-HIGH POWER	
E4	56116131	1	SPEED CONTROL	
F1	56115432	1	FUSE-150 AMP	
H1	56116375	1	HORN-36V	
H2	56116374	1	BACK-UP ALARM	
J3	56116601	1	USB-2,0-TYPE A-PANEL MOUNT	[1]
K1	40892A	1	RELAY DPDT 36VDC	
K2	56303198	1	CONTACTOR 36V TYPE 4	
K3	56303198	1	CONTACTOR 36V TYPE 4	
L1	56118184	1		
L2	56397216	1	VALVE SOLENOID 36V	[1]
LP1	56383032	1	LIGHT-LED	[1]
LP2	56383032	1	LIGHT-LED	[1]
LP3	56116353	1	BEACON-WARNING LED	
M1	56116159	1	MOTOR-36VDC-1900RPM-1HP	
M2	56116159	1	MOTOR-36VDC-1900RPM-1HP	
M3	56116761	1	GEAR MOTOR-SWEEP-RIGHT	[1]
M4	56116105	1	MOTOR-VACUUM 36VDC	
M5	56116105	1	MOTOR-VACUUM 36VDC	[1]
M6	56116781	1	ACTUATOR-SQUEEGEE	
M7		1	Deck Actuator	
M8	56110742	1	PUMP DETERGENT 12V	
M9	56110742	1	PUMP DETERGENT 12V	
M10	56116767	1	PUMP-36VDC	[1]
M11	56118189	1	WHEEL-DRIVE-12 IN	[2]
S1	7-82-00050	1	SWITCH SEAT	
S2	56104247	1	DISCONNECT-EMERGENCY	
S3		1	SW, Horn	
S4		1	SW, Bop	
S5		1	SW, Solution	
S6	56116842	1	SWITCH-FLOAT MECHANICAL 120V	
S7	56116372	1	SENSOR-SOLUTION LEVEL	
S8	56116784	1	SENSOR-PROXIMITY	[1]

Part Notes:

- [1] - Optional
- [2] - TSB-FC-2019-028 SC6000 Drive Motor Upgrade
 DE TSB-FC-2019-028 SC6000 Aktualisierung des Fahrmotors
- TSB-FC-2020-005 SC6000 Loose UVW drive motor wires
 DE TSB-FC-2020-005 SC6000 Lose UVW Kabel am Fahrmotor

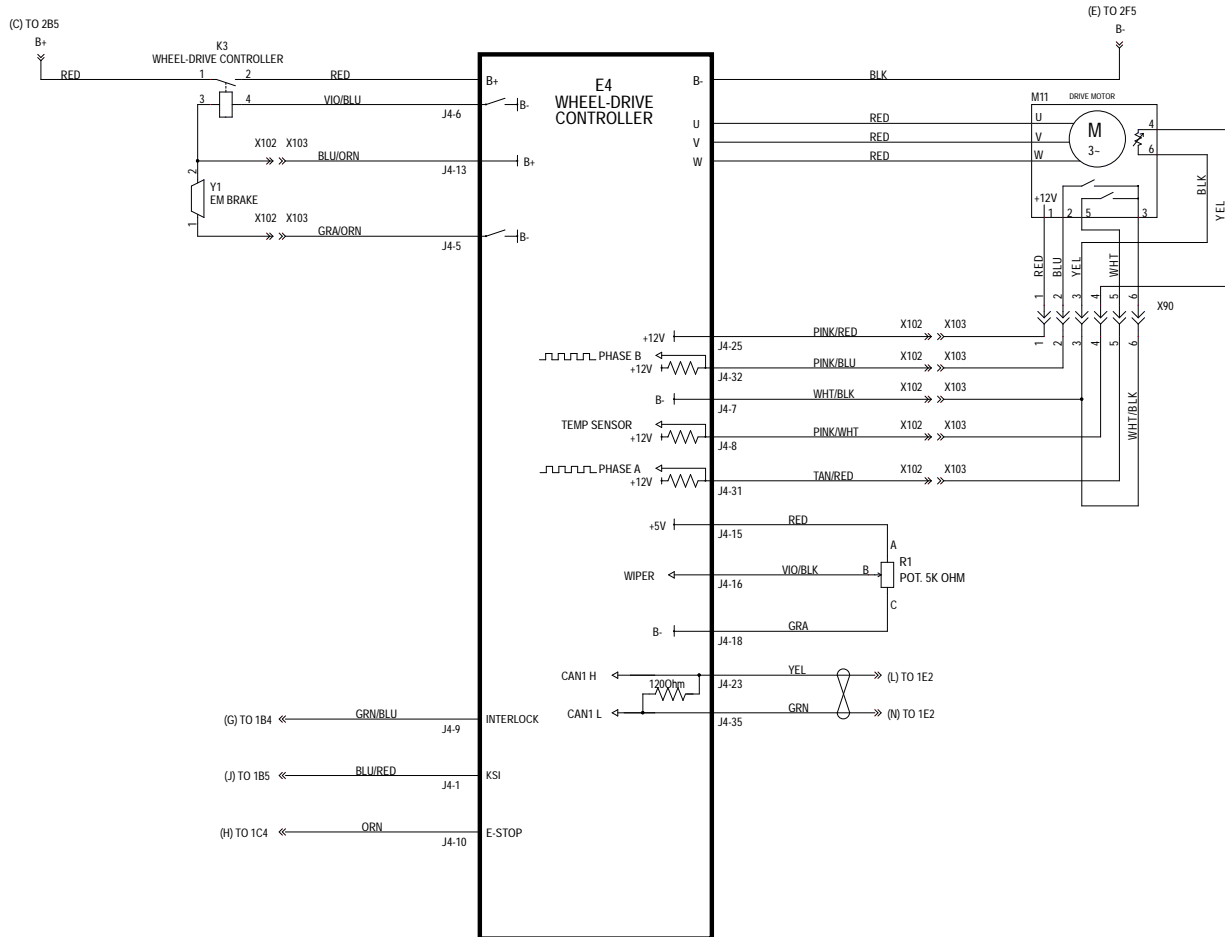


Ladder Diagram 56116048 REV D

Pos.	Product no	QTY	Description	Notes
A1		1	Telematics Module	[1]
A10	56116518	1	SMART KEY-USER	
A11	56118157	1	FOOT PEDAL ASSEMBLY	
A11	56385084	1	FOOT PEDAL ASSEMBLY	[2]
BT1		1	Battery 36VDC	
CB1	56507644	1	CIRCUIT BREAKER 10 AMP	
E1	56315774	1	CHARGER-ON BOARD 36V	[1]
E2	56118166	1	PCB BOX ASSEMBLY	
E3	56116087	1	MODULE-HIGH POWER	[3]
E4	56116131	1	SPEED CONTROL	
F1	56115432	1	FUSE-150 AMP	
H1	56116375	1	HORN-36V	
H2	56116374	1	BACK-UP ALARM	
J3	56116601	1	USB-2,0-TYPE A-PANEL MOUNT	[1]
K1	40892A	1	RELAY DPDT 36VDC	
K2	56303198	1	CONTACTOR 36V TYPE 4	
K3	56303198	1	CONTACTOR 36V TYPE 4	
L1	56116248	1	VALVE-SOLENOID-36VDC	
L2	56397216	1	VALVE SOLENOID 36V	[1]
LP1	56383032	1	LIGHT-LED	[1]
LP2	56383032	1	LIGHT-LED	[1]
LP3	56116353	1	BEACON-WARNING LED	
M1	56116159	1	MOTOR-36VDC-1900RPM-1HP	
M2	56116159	1	MOTOR-36VDC-1900RPM-1HP	
M3	56116761	1	GEAR MOTOR-SWEEP-RIGHT	[1]
M4	56116105	1	MOTOR-VACUUM 36VDC	
M5	56116105	1	MOTOR-VACUUM 36VDC	[1]
M6	56116781	1	ACTUATOR-SQUEEGEE	
M7		1	Deck Actuator	
M8	56110742	1	PUMP DETERGENT 12V	
M9	56110742	1	PUMP DETERGENT 12V	
M10	56116767	1	PUMP-36VDC	[1]
M11	56118189	1	WHEEL-DRIVE-12 IN	[4]
S1	7-82-00050	1	SWITCH SEAT	
S2	56104247	1	DISCONNECT-EMERGENCY	
S3		1	SW, Horn	
S4		1	SW, Bop	
S5		1	SW, Solution	
S6	56116842	1	SWITCH-FLOAT MECHANICAL 120V	
S7	56116372	1	SENSOR-SOLUTION LEVEL	
S8	56116784	1	SENSOR-PROXIMITY	[1]

Part Notes:

- [1] - Optional
- [2] - TSB-FC-2017-053 Abnormal acceleration or deceleration
DE TSB-FC-2017-053 neues Fahrpedal mit Justierscheibe
- [3] - TSB-FC-2017-048 SC6000 2-081 EPROM error
DE TSB-FC-2017-048 SC6000 Verlust aller Funktionen bis auf den Fahrtrieb 2-081 EPROM error
- [4] - TSB-FC-2019-028 SC6000 Drive Motor Upgrade
DE TSB-FC-2019-028 SC6000 Aktualisierung des Fahrmotors
- TSB-FC-2020-005 SC6000 Loose UVW drive motor wires
DE TSB-FC-2020-005 SC6000 Lose UVW Kabel am Fahrmotor



Ladder Diagram 56116048 REV D

Pos.	Product no	QTY	Description	Notes
A1		1	Telematics Module	[1]
A10	56116518	1	SMART KEY-USER	
A11	56118157	1	FOOT PEDAL ASSEMBLY	
A11	56385084	1	FOOT PEDAL ASSEMBLY	[2]
BT1		1	Battery 36VDC	
CB1	56507644	1	CIRCUIT BREAKER 10 AMP	
E1	56315774	1	CHARGER-ON BOARD 36V	[1]
E2	56118166	1	PCB BOX ASSEMBLY	
E3	56116087	1	MODULE-HIGH POWER	[3]
E4	56116131	1	SPEED CONTROL	
F1	56115432	1	FUSE-150 AMP	
H1	56116375	1	HORN-36V	
H2	56116374	1	BACK-UP ALARM	
J3	56116601	1	USB-2,0-TYPE A-PANEL MOUNT	[1]
K1	40892A	1	RELAY DPDT 36VDC	
K2	56303198	1	CONTACTOR 36V TYPE 4	
K3	56303198	1	CONTACTOR 36V TYPE 4	
L1	56116248	1	VALVE-SOLENOID-36VDC	
L2	56397216	1	VALVE SOLENOID 36V	[1]
LP1	56383032	1	LIGHT-LED	[1]
LP2	56383032	1	LIGHT-LED	[1]
LP3	56116353	1	BEACON-WARNING LED	
M1	56116159	1	MOTOR-36VDC-1900RPM-1HP	
M2	56116159	1	MOTOR-36VDC-1900RPM-1HP	
M3	56116761	1	GEAR MOTOR-SWEEP-RIGHT	[1]
M4	56116105	1	MOTOR-VACUUM 36VDC	
M5	56116105	1	MOTOR-VACUUM 36VDC	[1]
M6	56116781	1	ACTUATOR-SQUEEGEE	
M7		1	Deck Actuator	
M8	56110742	1	PUMP DETERGENT 12V	
M9	56110742	1	PUMP DETERGENT 12V	
M10	56116767	1	PUMP-36VDC	[1]
M11	56118189	1	WHEEL-DRIVE-12 IN	[4]
S1	7-82-00050	1	SWITCH SEAT	
S2	56104247	1	DISCONNECT-EMERGENCY	
S3		1	SW, Horn	
S4		1	SW, Bop	
S5		1	SW, Solution	
S6	56116842	1	SWITCH-FLOAT MECHANICAL 120V	
S7	56116372	1	SENSOR-SOLUTION LEVEL	
S8	56116784	1	SENSOR-PROXIMITY	[1]

Part Notes:

- [1] - Optional
- [2] - TSB-FC-2017-053 Abnormal acceleration or deceleration
DE TSB-FC-2017-053 neues Fahrpedal mit Justierscheibe
- [3] - TSB-FC-2017-048 SC6000 2-081 EPROM error
DE TSB-FC-2017-048 SC6000 Verlust aller Funktionen bis auf den Fahrtrieb 2-081 EPROM error
- [4] - TSB-FC-2019-028 SC6000 Drive Motor Upgrade
DE TSB-FC-2019-028 SC6000 Aktualisierung des Fahrmotors
- TSB-FC-2020-005 SC6000 Loose UVW drive motor wires
DE TSB-FC-2020-005 SC6000 Lose UVW Kabel am Fahrmotor

**No
Diagram
Available**

**Parts List
Only**

Pos.	Product no	QTY	Description	Notes
			Accessories	
	56116152	1	OVERHEAD GUARD KIT	[1]
	56116280	1	SIDE SWEEP KIT	[1]
	56116351	1	BACK-UP ALARM KIT	[1]
	56116352	1	BEACON KIT	[1]
	56116355	1	VACUUM WAND KIT	[1]
	56116627	1	ONBOARD CHARGER KIT-EURO	[1]
	56116358	1	SOLUTION AUTO FILL KIT	[1]
	56116359	1	BUMPER KIT-HEAVY DUTY-FRONT	[1]
	56116361	1	SQUEEGEE GUARD KIT	[1]
	56116364	1	FOOT GUARD KIT	[1]
	56116366	1	DELUXE SEAT KIT	[2]
	56116370	1	DUAL VACUUM MOTOR KIT	[1]
	56116371	1	HEADLIGHT KIT	[1]
	56116512	1	WASH HOSE KIT	[1]
	56116513	1	DUST GUARD KIT	[1]
	56116517	1	ECO FLEX KIT	[1]
	56116576	1	WEIGHT KIT-STEERING COLUMN	[1]
	56116600	1	SEAT KIT-STANDARD	[1]
	56116614	1	BATTERY WATERING KIT-36V	[1]
	56116615	1	BATTERY WATERING ASSEMBLY	[1]
	56116619	1	MOP HOLDER KIT	[1]
	56116686	1	OVERHEAD GUARD KIT-SHORT	[1]
	56116731	1	TRACKCLEAN SC6000 KIT	[1]
	56116856	1	USB KIT	[3]
	56383189	1	ARM REST KIT-R/H ONLY	[1]
	56383455	1	SEAT BELT KIT- STANDARD SEAT	[1]
	56601410	1	DRAIN HOSE EXTENSION	[1]
		1	Decal ES kit	
			Options	
	56116600	1	SEAT KIT-STANDARD	
	56116518	1	SMART KEY-USER	
	56116519	1	SMART KEY-SUPERVISOR	
			Kits	
			860D Squeegee Blade Kits for 56116378	
	56116704	1	SQUEEGEE BLADE KIT-LINATEX J	[4]
	56116707	1	SQUEEGEE BLADE KIT-PU J	[5]
			910C & 1050D Squeegee Blade Kits for 56116379	
	56116705	1	SQUEEGEE BLADE KIT- LINATEX K	[4]
	56116708	1	SQUEEGEE BLADE KIT-PU K	[5]
			Scrub System Side Blade Kits for Cylindrical and Disc Decks	
	56116706	1	SIDE BLADE KIT-LINATEX	
	56116709	1	SIDE BLADE KIT-PU	[1]
			860D Disc Scrub Brushes	
	56505780	2	PAD HOLDER-17 3 LUG	[1]
	56505781	2	DISC BRUSH-17 MAGNAGRIT 3 LUG	[1]
	56505782	2	DISC BRUSH-17 DYNAGRIT 3 LUG	[1]
	56505783	2	DISC BRUSH-17 AGLITE 500 Ø430 mm	[1]
	56505784	2	DISC BRUSH-17 PROLENE 3 LUG	[1]
	56505785	2	DISC BRUSH-17 PROLITE 3 LUG	[1]
	56505786	2	DISC BRUSH-17 UNION MIX 3 LUG	[1]
	56505787	2	DISC BRUSH-17 MIDGRIT 3 LUG	[1]
	56505788	2	DISC BRUSH-17 MIDLITE 3 LUG	[1]
			1050D Disc Scrub Brushes	
	56505790	2	PAD HOLDER-20 3 LUG	[1]
	56505791	2	DISC BRUSH-20 MAGNAGRIT 3 LUG	[1]
	56505792	2	DISC BRUSH-20 DYNA GRIT 3 LUG	[1]
	56505793	2	DISC BRUSH-20 AGLITE 3 LUG	[1]
	56505794	2	DISC BRUSH-20 PROLENE 3 LUG	[1]

Pos.	Product no	QTY	Description	Notes
	56505795	2	DISC BRUSH-20 PROLITE 3 LUG	[1]
	56505796	2	DISC BRUSH-20 UNION MIX 3 LUG	[1]
	56505797	2	DISC BRUSH-20 MIDGRIT 3 LUG	[1]
	56505798	2	DISC BRUSH-20 MIDLITE 3 LUG	[1]
			910C Cylindrical Scrub Brushes	
	56116043	2	BRUSH-CYL-HARD NYL-NATURAL-7IN	[1]
	56116044	2	BRUSH-CYL-180 GRIT-BLUE-7IN	[1]
	56116045	2	BRUSH-CYL-80 GRIT-BLACK-7IN	[1]
	56116046	2	BRUSH-CYL-SOFT NYL-YELLOW-7IN	[1]
	56116047	2	BRUSH-CYL-POLYPRO-RED-7IN	[1]
			Side Sweep Brush	
	56116858	1	BROOM 180X400MM POLYPROPYLENE	[1]

Part Notes:

- [1] - Optional, Not Included
- [2] - Optional, Not Included
The Deluxe Seat Kit 56116366 Kit contains a Gas Spring for machines built before Serial Number 3510173102367.
- [3] - Optional, Not Included
- TSB-FC-2017-033 SC6000 iPhone or iPad not charging
- DE TSB-FC-2017-033 SC6000 iPhone und iPad können nicht geladen werden
- [4] - All squeegee blade kits include both front and rear squeegee blades
- [5] - All squeegee blade kits include both front and rear squeegee blades. Optional, Not Included

**No
Diagram
Available**

**Parts List
Only**

Recommended Spare Parts

SC6000 910C NIL

2017.11.02

2020.03.09

Pos.	Product no	QTY	Description	Notes
W =			Normal Wear	
O =			Ordinary Maintenance	
E =			Extra-Ordinary Maintenance	
			CHASSIS	
E	56116781		ACTUATOR-SQUEEGEE	
			CONTROL SYSTEM	
E	56118157		FOOT PEDAL ASSEMBLY	
E	56118170		MEMBRANE PANEL ASSEMBLY	[1]
E	56118166		PCB BOX ASSEMBLY	
E	56116477		IBUTTON-PROBE	
O	56116518		SMART KEY-USER	
O	56116519		SMART KEY-SUPERVISOR	
E	56507644		CIRCUIT BREAKER 10 AMP	
E	40892A		RELAY DPDT 36VDC	
E	7-82-00050		SWITCH SEAT	
E	56317072		GAS SPRING	
			ELECTRICAL SYSTEM	
E	56116087		MODULE-HIGH POWER	
E	56116131		SPEED CONTROL	
O	56115432		FUSE-150 AMP	
O	56303198		CONTACTOR 36V TYPE 4	
			RECOVERY SYSTEM	
O	56116500		DRAIN HOSE ASSEMBLY	
O	56116537		SQUEEGEE HOSE ASSEMBLY	
O	56116698		GASKET-VACUUM COVER	
O	56116722		DEBRIS TRAY ASSEMBLY	
E	56116842		SWITCH-FLOAT MECHANICAL 120V	
O	56116392		SCREEN-FILTER	
O	56116394		FILTER-VACUUM INLET	
O	56116104		COVER-VACUUM MOTOR	
O	56118005		SEAL-VACUUM BLOCK	
O	56116105		MOTOR-VACUUM 36VDC	
O	56116107		CARBON BRUSHES	
O	56116486		SEAL-RECOVERY COVER	
O	33003458		HOSE CLAMP 12/ 60- 80	
O	56116105		MOTOR-VACUUM 36VDC	
O	56116107		CARBON BRUSHES	
O	56116922		VACUUM MOTOR SEAL KIT	
			SCRUB SYSTEM	
O	56118041		ACTUATOR ASSEMBLY-HEAVY DUTY	
E	56116159		MOTOR-36VDC-1900RPM-1HP	
O	56422152		MOTOR BRUSH KIT	
E	56116032		CAP-HUB	
O	56116545		KNOB-M12-LOBE	
E	56116213		GEARMOTOR-36VDC-250RPM-1.0HP	
O	56601276		BRUSH PLATE ASSEMBLY	
O	56601384		BRUSH PLATE ASSEMBLY	
O	56116979		LATCH KIT	
O	56116983		KNOB KIT-SIDE WIPER	
O	56116929		DISK STRAP KIT-BOTH SIDES	
O	56116877		LATCH KIT-BOTH SIDES	
E	56116885		BELT KIT-BOTH SIDES	
E	56116890		HUB KIT	
E	56116887		SHEAVE KIT	
E	56116889		IDLER HOUSING KIT	
O	56116984		CYLINDER STRAP KIT-BOTH SIDES	
			SOLUTION SYSTEM	
E	56116759		VALVE-BALL-5/8X3/4IN BRB	
O	9097944000		FILTER NET SS 50 MESH FOR WATER	

Recommended Spare Parts

SC6000 910C NIL

2017.11.02

2020.03.09

Pos.	Product no	QTY	Description	Notes
E	9097945000		COVER TRANSPARENT FOR WATER FILTER	
O	9097943000		GASKET FOR WATER FILTER	
O	56104408		CHEMICAL BOTTLE ASSY	
E	56110742		PUMP DETERGENT 12V	
O	9100001817		CAP PLASTIC F DETERGENT SOLU. TANK SIP	
O	56315523		CAP DRY BREAK 1/8 BARB	
O	56116923		DRAIN HOSE KIT	
O	56118174		FILTER KIT	
O	56116875		SOLENOID VALVE KIT	
O	56118185		SOLENOID SEAL KIT	[2]
O	56116891		SOLENOID SEAL KIT	[3]
			SQUEEGEE SYSTEM	
E	56116545		KNOB-M12-LOBE	
O	56116907		CASTER ASSEMBLY	
O	56116894		SQUEEGEE TILT ADJUSTER KIT	
E	56116912		SQUEEGEE KNOB KIT-BOTH	
			SWEEP SYSTEM	
E	56116784		SENSOR-PROXIMITY	
E	56116761		GEAR MOTOR-SWEEP-RIGHT	
O	56116897		CARBON BRUSHES	
O	1463960000		PIN D.6 GALV. W/CLIP	
			WHEEL & BRAKE SYSTEM	
E	56483135		CAP GREASE	
E	56116032		CAP-HUB	
O	56116809		BEARING	
E	56116811		COVER BRAKE	
E	56116916		STEERING CHAIN KIT	
E	56116918		SPINDLE BEARING KIT	
E	56116033		BEARING KIT-REAR WHEEL	
E	56116919		REAR WHEEL KIT	
E	56116917		HARDWARE KIT-WHEEL SYSTEM	

Part Notes:

- [1] - EU BUY 56118166 FROM SZI
- [2] - for #56118184
- [3] - for #56116248

**No
Diagram
Available**

**Parts List
Only**

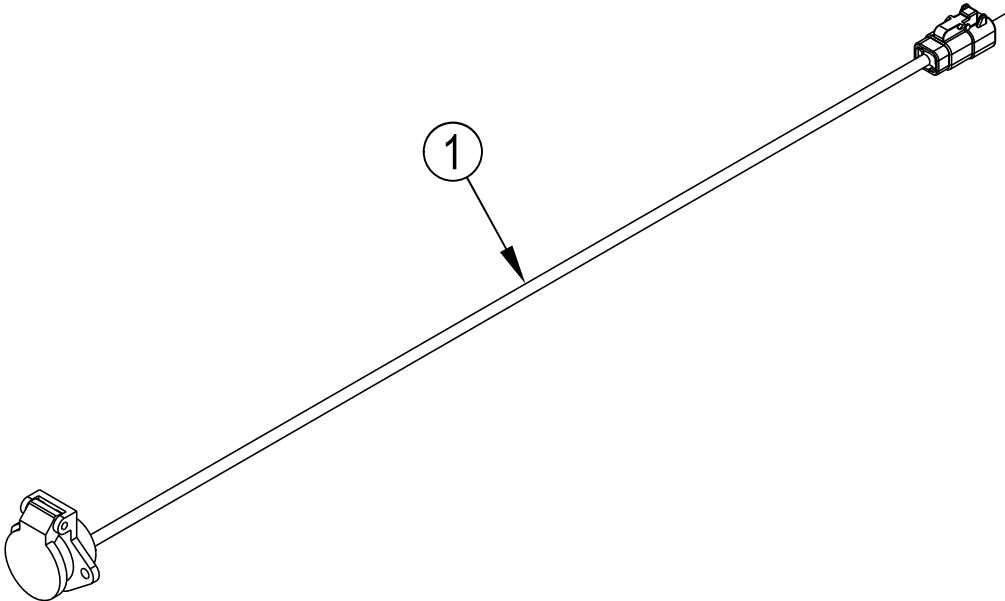
Recommended Spare Parts 2

SC6000 910C NIL

2017.11.02

2018.11.27

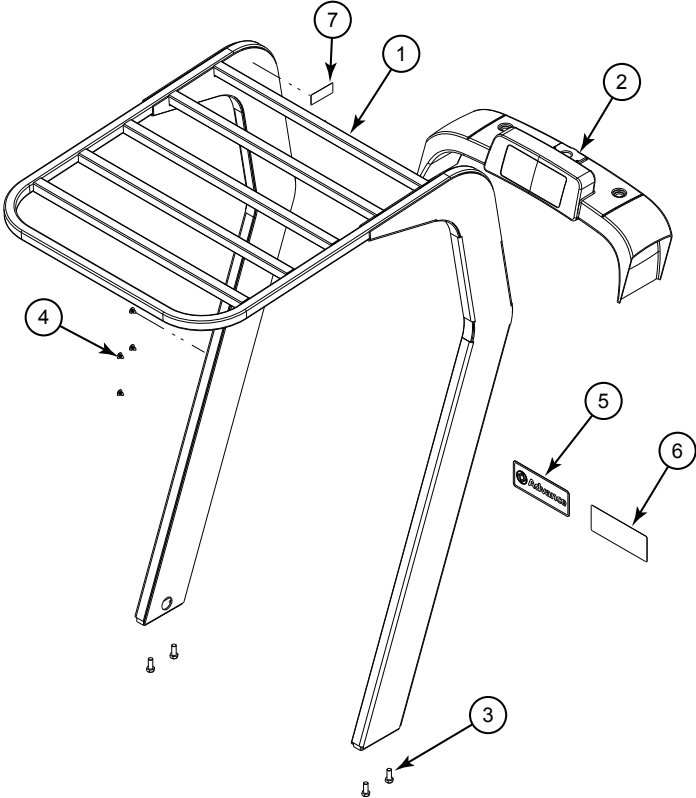
Pos.	Product no	QTY	Description	Notes
			Disc Scrub Brushes 860D	
	56505780	1	PAD HOLDER-17 3 LUG	
	56505781	1	DISC BRUSH-17 MAGNAGRIT 3 LUG	
	56505782	1	DISC BRUSH-17 DYNAGRIT 3 LUG	
	56505783	1	DISC BRUSH-17 AGLITE 500 Ø430 mm	
	56505784	1	DISC BRUSH-17 PROLENE 3 LUG	
	56505785	1	DISC BRUSH-17 PROLITE 3 LUG	
	56505786	1	DISC BRUSH-17 UNION MIX 3 LUG	
	56505787	1	DISC BRUSH-17 MIDGRIT 3 LUG	
	56505788	1	DISC BRUSH-17 MIDLITE 3 LUG	
			Disc Scrub Brushes 1050D	
	56505790	1	PAD HOLDER-20 3 LUG	
	56505791	1	DISC BRUSH-20 MAGNAGRIT 3 LUG	
	56505792	1	DISC BRUSH-20 DYNA GRIT 3 LUG	
	56505793	1	DISC BRUSH-20 AGLITE 3 LUG	
	56505794	1	DISC BRUSH-20 PROLENE 3 LUG	
	56505795	1	DISC BRUSH-20 PROLITE 3 LUG	
	56505796	1	DISC BRUSH-20 UNION MIX 3 LUG	
	56505797	1	DISC BRUSH-20 MIDGRIT 3 LUG	
	56505798	1	DISC BRUSH-20 MIDLITE 3 LUG	
			Cylindrical Scrub Brushes 910C	
	56116046	1	BRUSH-CYL-SOFT NYL-YELLOW-7IN	
	56116043	1	BRUSH-CYL-HARD NYL-NATURAL-7IN	
	56116047	1	BRUSH-CYL-POLYPRO-RED-7IN	
	56116044	1	BRUSH-CYL-180 GRIT-BLUE-7IN	
	56116045	1	BRUSH-CYL-80 GRIT-BLACK-7IN	
			Side Sweep 910C	
	56116858	1	BROOM 180X400MM POLYPROPYLENE	
			Disc Deck Blade Kits 860D	
	56116706	1	SIDE BLADE KIT-LINATEX	
	56116709	1	SIDE BLADE KIT-PU	
			Disc Deck Blade Kits 1050D	
	56116706	1	SIDE BLADE KIT-LINATEX	
	56116709	1	SIDE BLADE KIT-PU	
			Cylindrical Deck Blade Kits 910C	
	56116706	1	SIDE BLADE KIT-LINATEX	
	56116709	1	SIDE BLADE KIT-PU	
			Squeegee Blade Kits 860D J	
	56116704	1	SQUEEGEE BLADE KIT-LINATEX J	
	56116707	1	SQUEEGEE BLADE KIT-PU J	
			Squeegee Blade Kits 910C & 1050D (K)	
	56116705	1	SQUEEGEE BLADE KIT- LINATEX K	
	56116708	1	SQUEEGEE BLADE KIT-PU K	



Pos.	Product no	QTY	Description	Notes
	56118196	1	USB READER KIT	[1]
1	56116601	1	USB-2,0-TYPE A-PANEL MOUNT	
NS	56118198	1	USB-FIRMWARE-SC6000	
			Instruction Sheet 56090425	[2]

Part Notes:

- [1] - TSB-FC-2019-040 SC6000 Main Controller Firmware Update (2)
DE TSB-FC-2019-040 SC6000 Neue Hauptcontroller Firmware Update
TSB-FC-2019-040 SC6000 Обновление прошивки основного контроллера_Вер.2
- [2] - IS56090425 - 56118196 USB READER KIT



56116152 OVERHEAD GUARD KIT

SC6000 910C NIL

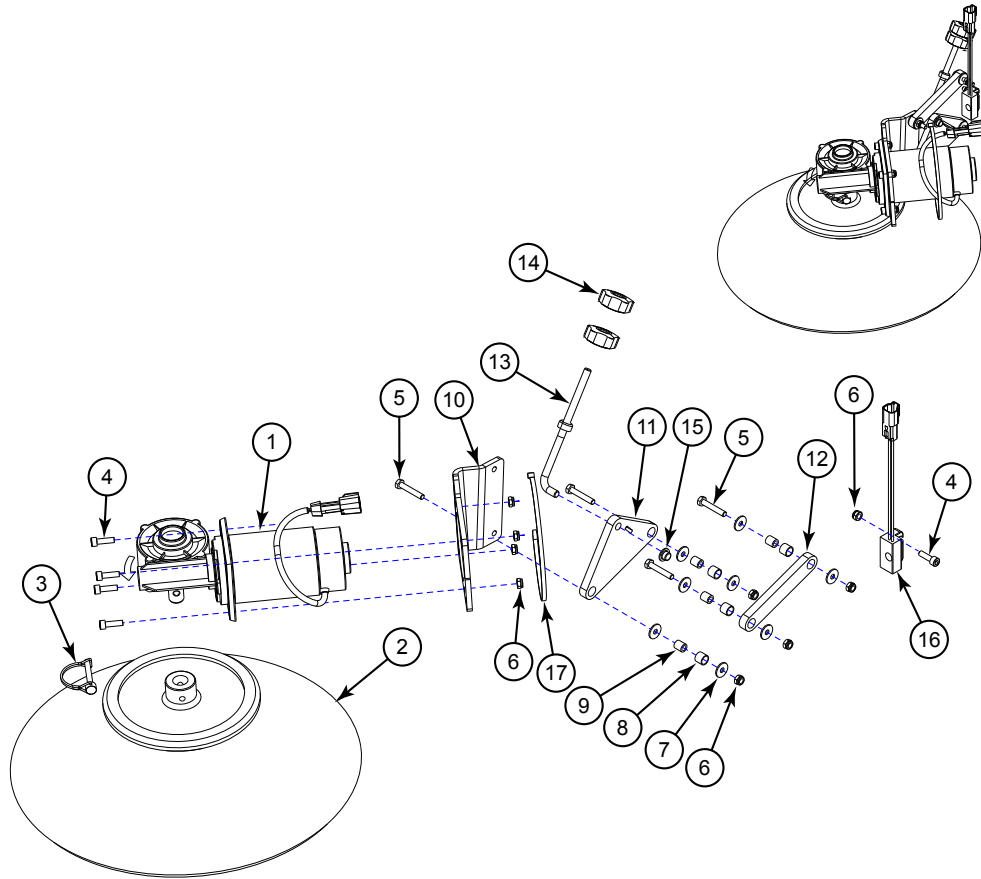
2017.11.02

2016.06.10

Pos.	Product no	QTY	Description	Notes
	56116152	1	OVERHEAD GUARD KIT	
	56116686	1	OVERHEAD GUARD KIT-SHORT	
1		1	Overhead Guard	
2		1	Crossbar	
3		4	Screw, Hex Head, M12-1.75 x 30	[1]
4		4	Clip, Screw Plug	[1]
5		1	Decal, Advance	
6		1	Decal, Nilfi sk	
7		1	Decal, Serial Data plate	
			Service Kits	
K1	56118060	1	HARDWARE KIT-OVERHEAD GUARD	

Part Notes:

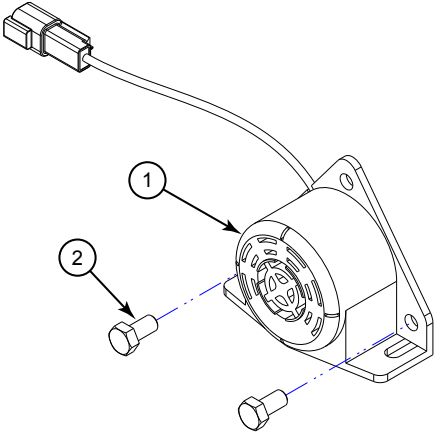
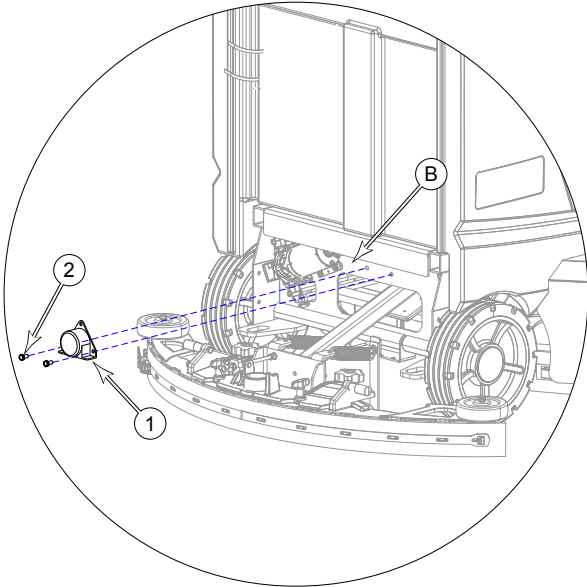
[1] - Part of K1



Pos.	Product no	QTY	Description	Notes
	56116280	1	SIDE SWEEP KIT	
1	56116761	1	GEAR MOTOR-SWEEP-RIGHT	
[]	56116897	1	CARBON BRUSHES	
2	56116858	1	BROOM 180X400MM POLYPROPYLENE	
3	1463960000	1	PIN D.6 GALV. W/CLIP	
4		5	Screw, Socket Hd, M6 x 20mm	[1]
5		4	Screw, Hex Hd, M6 x 35mm	[1]
6		9	Nut, Hex,SS, M6	[1]
7		8	Washer, Flat, M6 x 18	[1]
8		4	Bearing	[1]
9		4	Bushing	[1]
10	56116693	1	BRACKET-SIDE BROOM MOTOR	
11	56116282	1	LINK WELDMENT-SIDE BROOM	
12	56116281	1	LINK-SIDE BROOM	
13		1	Lever Arm	[2]
14		2	Adjustment Knob, M8	[2]
15		1	Push Nut	[2]
16	56116784	1	SENSOR-PROXIMITY	
17		4	Cable Tie	[2]
			Service Kits	
K1	56116942	1	LEVER KIT	
K2	56116943	1	HARDWARE KIT-SIDE SWEEP	

Part Notes:

- [1] - Part of K2
 [2] - Part of K1



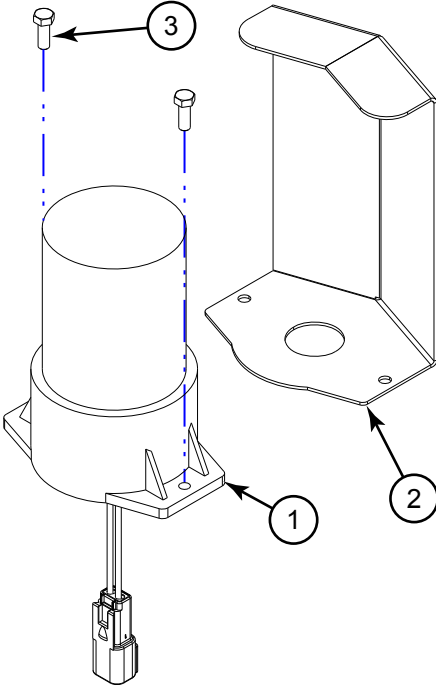
56116351 BACKUP ALARM KIT

SC6000 910C NIL

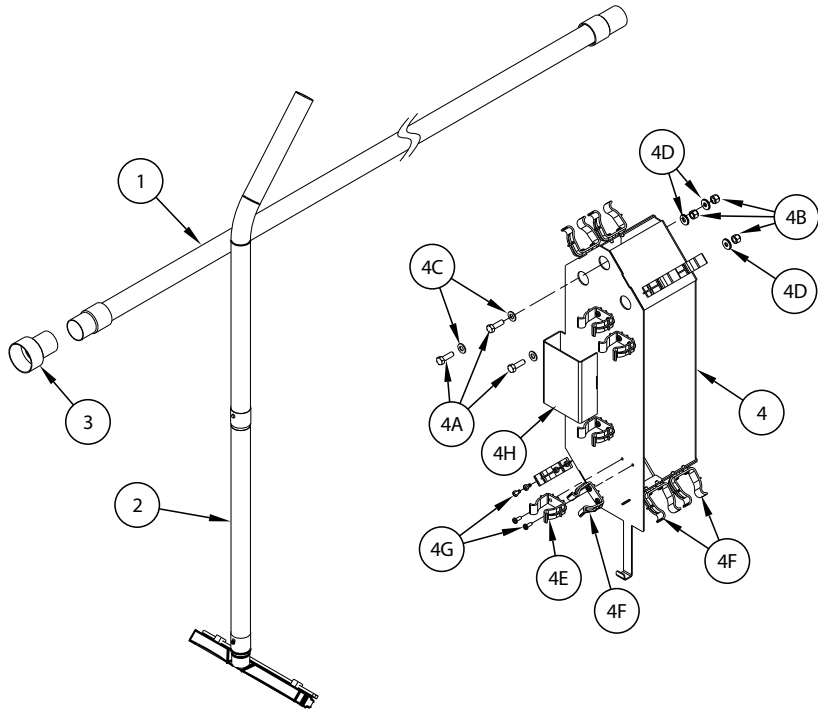
2017.11.02

2016.06.10

Pos.	Product no	QTY	Description	Notes
	56116351	1	BACK-UP ALARM KIT	
1		1	Backup Alarm	
2		1	Screw, M8 x 16, Hex Head, Stainless Steel	



Pos.	Product no	QTY	Description	Notes
	56116352	1	BEACON KIT	
1	56116353	1	BEACON-WARNING LED	
2		1	Bracket, Beacon	
3		2	Screw, M5 x 14, Hex Head	



56116355 VAC WAND KIT

SC6000 910C NIL

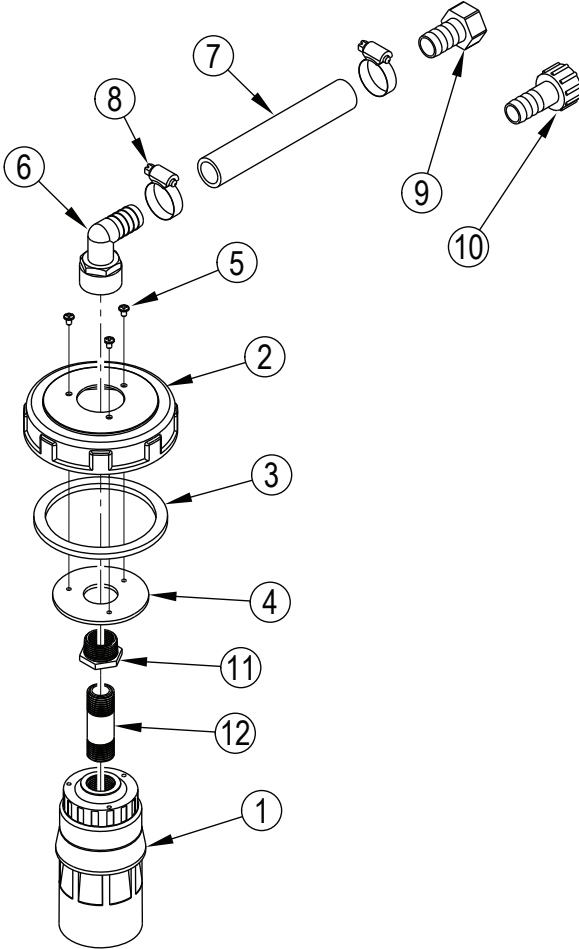
2017.11.02

2016.06.10

Pos.	Product no	QTY	Description	Notes
	56116355	1	VACUUM WAND KIT	
1	56111111	1	HOSE ASSY	
2	56305605	1	WAND ASSEMBLY	
3	56116626	1	WAND ADAPTER WELDMENT	
4		1	Wand Caddy Assembly	
4A		3	Screw, Hex SS 5/16-18 x 1.0	[1]
4B		3	Nut, Lock Hex SS 5/16-18	[1]
4C		3	Washer, Flat 5/16	[1]
4D		3	Washer, Sealing	[1]
4E		5	Clamp, Plastic	[1]
4F		8	Clamp, Plastic	[1]
4G		26	Scr, Pan Phil Thd Form 10-24 x .50	[1]
4H	56111339	1	CADDY WELDMENT	[1]
	Service Kits			
K1	56118058	1	CLIP AND HDWRE KIT-VAC WAND	

Part Notes:

[1] - Part of K1



56116358 SOLUTION AUTOFILL KIT

SC6000 910C NIL

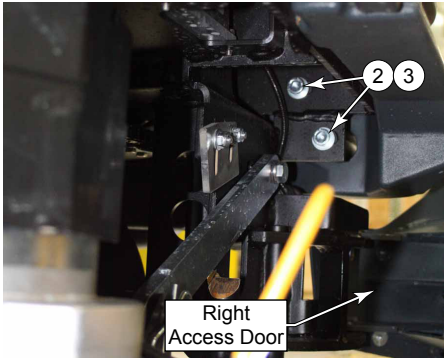
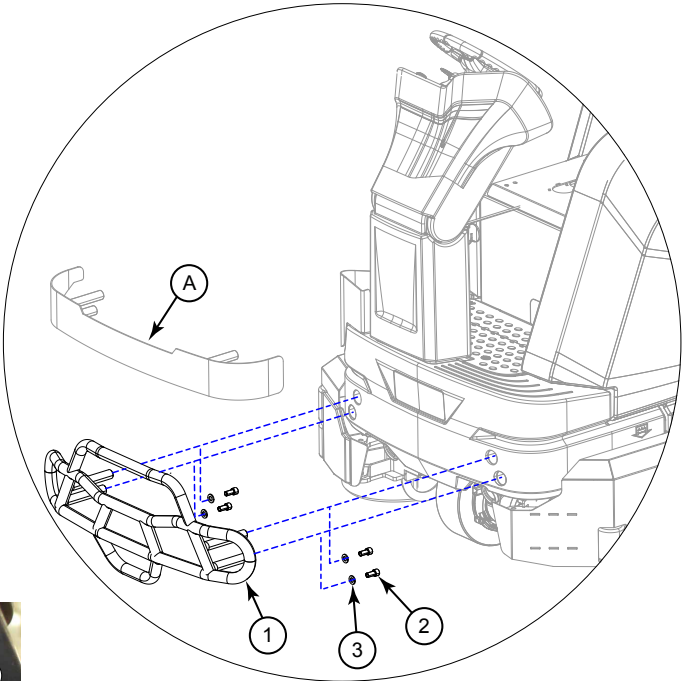
2019.07.01

2019.07.01

Pos.	Product no	QTY	Description	Notes
	56116358	1	SOLUTION AUTO FILL KIT	
1	56385353	1		
2		1	Autofi II Cap	
3	56116683	1	GASKET-SOLUTION CAP	
4		1	Plate-Fill Mount	
5		3	Scr-Pan Phil SS 8-32 X .25	
6		1	Fitting-3/4FNPTX3/4 Hose	
7		1	Hose, Spiral, 3/4" x 6"	[1]
8		2	Hose Clamp	[1]
9		1	3/4" Garden Hose Fitting (U.S.)	[1]
10		1	3/4" Garden Hose Fitting (European)	[1]
11		1	Adapter-Bushing 3/4NPTX1/2FNPT	
12		1	Nipple-1/2FNPT X 2-1/2	
			Service Kits	
K1	56118055	1	CONNECTOR KIT-AUTO FILL	

Part Notes:

[1] - Part of K1



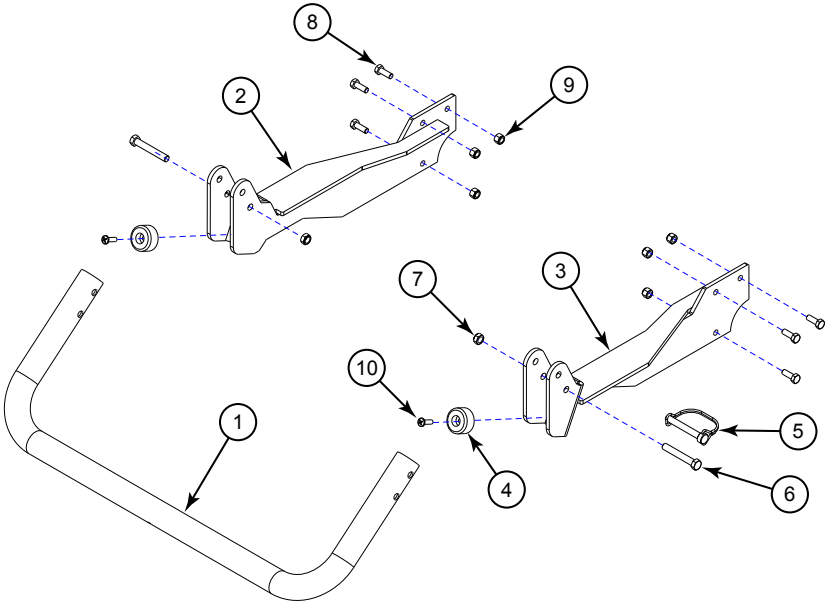
56116359 HEAVY DUTY FRONT BUMPER KIT

SC6000 910C NIL

2017.11.02

2016.06.10

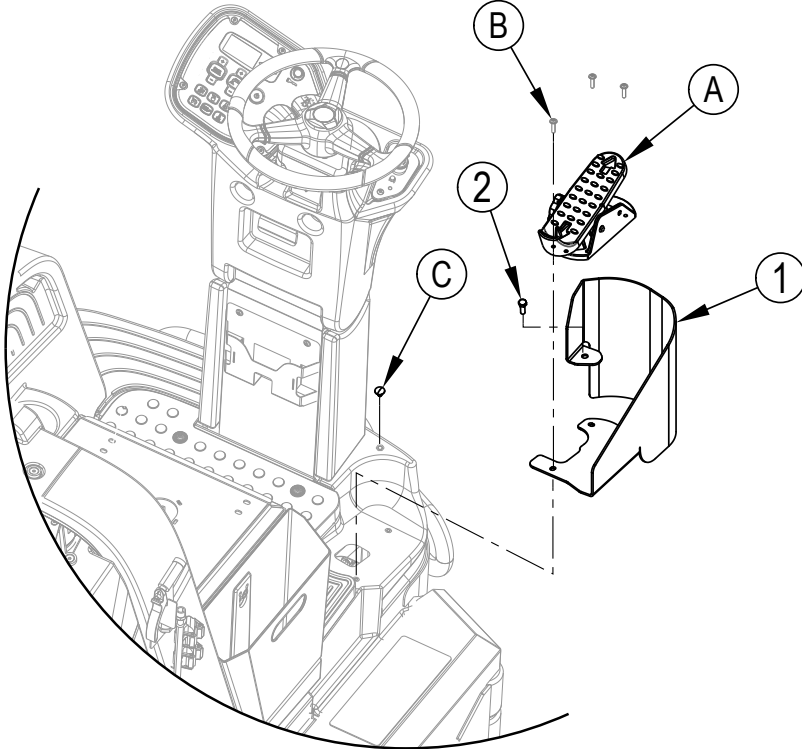
Pos.	Product no	QTY	Description	Notes
	56116359	1	BUMPER KIT-HEAVY DUTY-FRONT	
1		1	Heavy Duty Bumper Weldment	
2		4	Screw, Socket Head, M12 x 25	
3		4	Washer, Flat, 13 x 24	



Pos.	Product no	QTY	Description	Notes
	56116361	1	SQUEEGEE GUARD KIT	
1	56116562	1	TUBE-SQUEEGEE GUARD	
2	56116749	1	GUARD ARM WELDMENT-LEFT	
3	56116750	4	GUARD ARM WELDMENT-RIGHT	
4		2	Rubber Bumper	[1]
5		1	T-Lock Pin	[1]
6		2	Screw, Hex Head, 3/8-16 x 2.5	[1]
7		2	Nut, Nyloc, 3/8-16	[1]
8		6	Screw, Hex Head, 5/16-18 x 7/8	[1]
9		6	Nut, Nyloc, 5/16-18	[1]
10		2	Screw, Pan, Phillips, 1/4-20 x 7/8	[1]
			Service Kits	
K1	56116948	1	HARDWARE KIT-SQUEEGEE GUARD	

Part Notes:

[1] - Part of K1



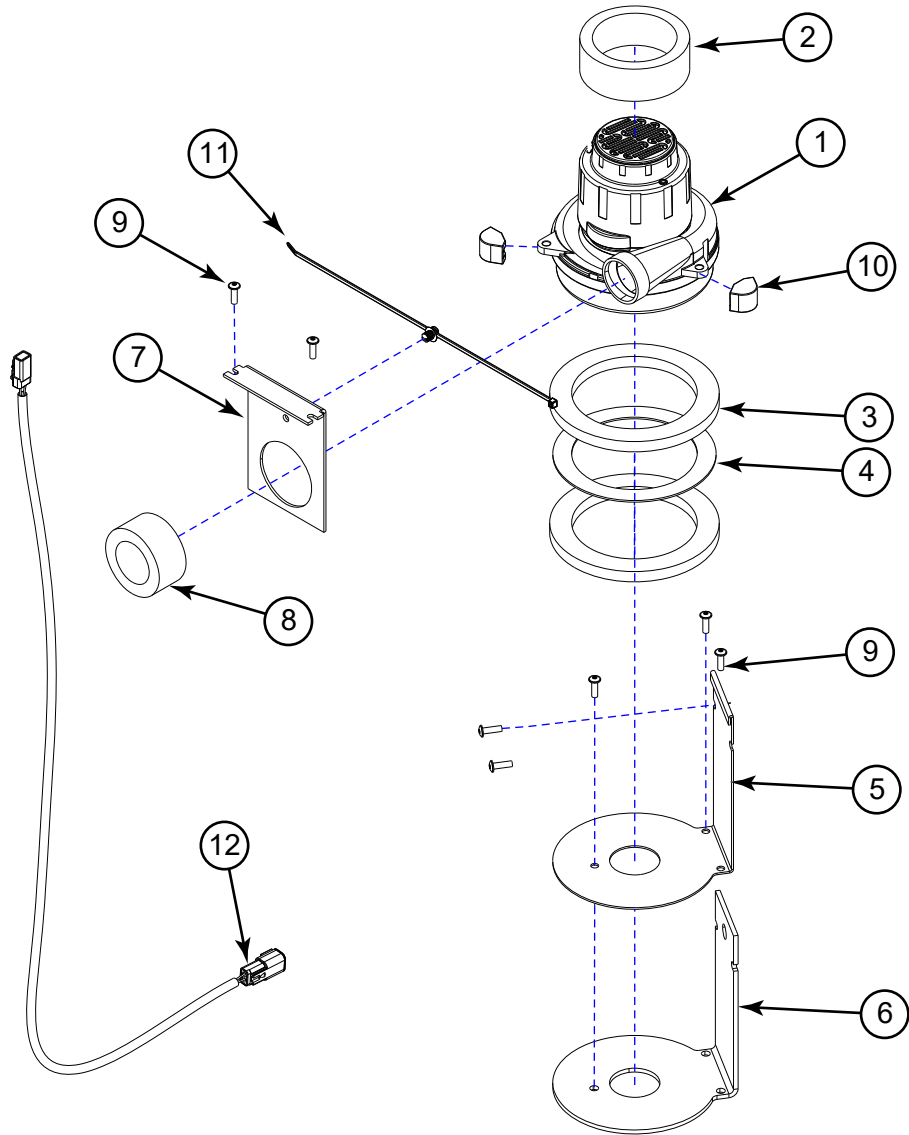
56116364 FOOT GUARD KIT

SC6000 910C NIL

2017.11.02

2016.06.10

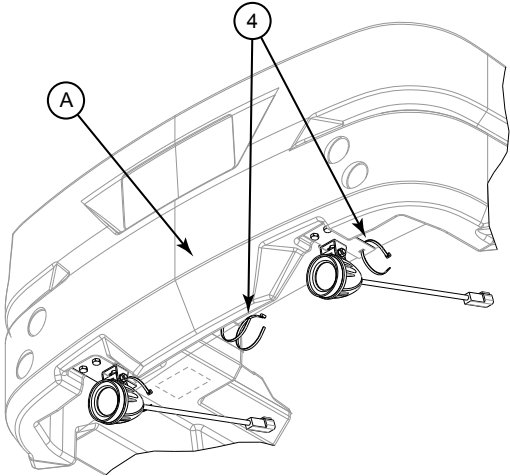
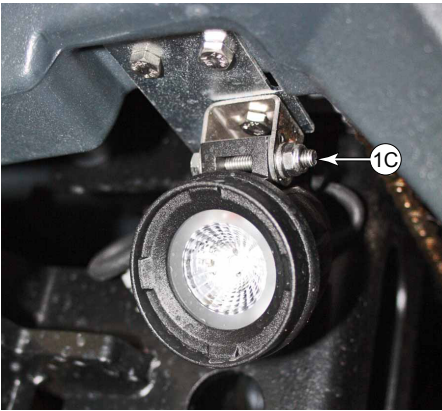
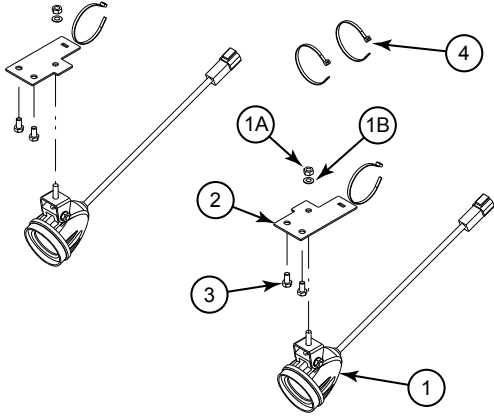
Pos.	Product no	QTY	Description	Notes
	56116364	1	FOOT GUARD KIT	
1		1	Foot Guard	
2		1	Screw, Hex Hd, M8 x 12mm	



Pos.	Product no	QTY	Description	Notes
	56116370	1	DUAL VACUUM MOTOR KIT	
[1	Power Cable	
[1	Vacuum Motor Brush Kit	[1]
1	56116105	1	MOTOR-VACUUM 36VDC	
2		1	Cooling Seal	[2]
3		2	Inlet Seal	[2]
4		1	Seal Backing Plate	[2]
5		1	Seal Plate	[3]
6		1	Foam Gasket	[3]
7		1	Vacuum Plate	[3]
8		1	Outlet Seal	[2]
9		7	Screw, M6 x 20	[3]
10		3	Isolation Mounts	[2]
11		1	Cable Tie	[3]
12		1	Vacuum Harness	
	Service Kits			
K1	56116107	1	CARBON BRUSHES	
K2	56116922	1	VACUUM MOTOR SEAL KIT	
K3	56118059	1	SHUT OFF PLATE KIT-DUAL	

Part Notes:

- [1] - Part of K1
- [2] - Part of K2
- [3] - Part of K3



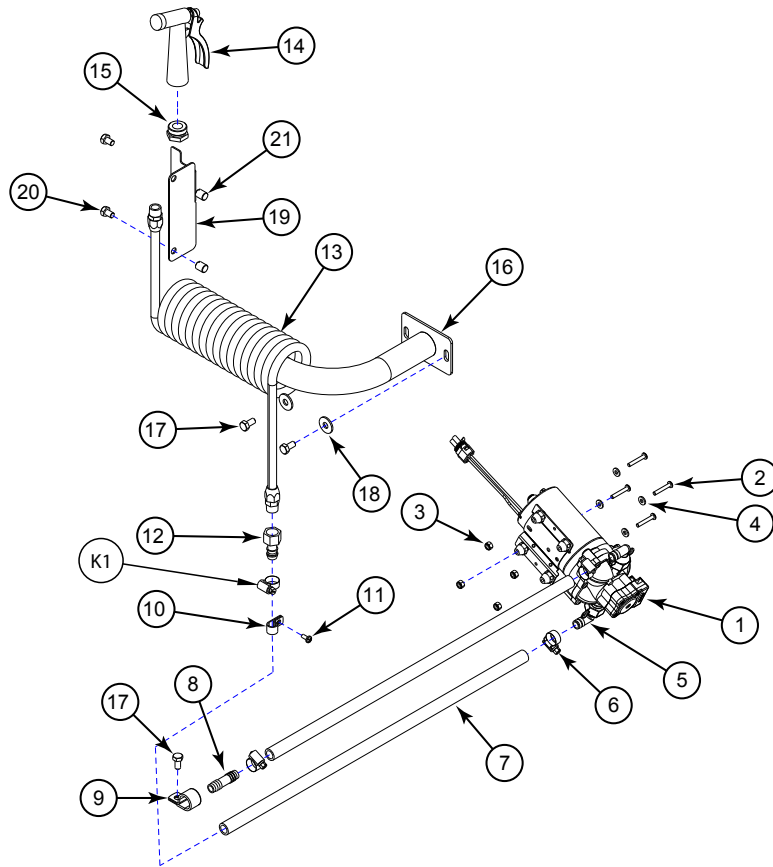
56116371 HEADLIGHT KIT

SC6000 910C NIL

2017.11.02

2016.06.10

Pos.	Product no	QTY	Description	Notes
	56116371	1	HEADLIGHT KIT	
1	56383032	2	LIGHT-LED	
2		2	Mounting Bracket	
3		4	Screw, SS, Hex Head, M6 x 12	
4		4	Cable Tie	



56116512 WASH HOSE KIT

SC6000 910C NIL

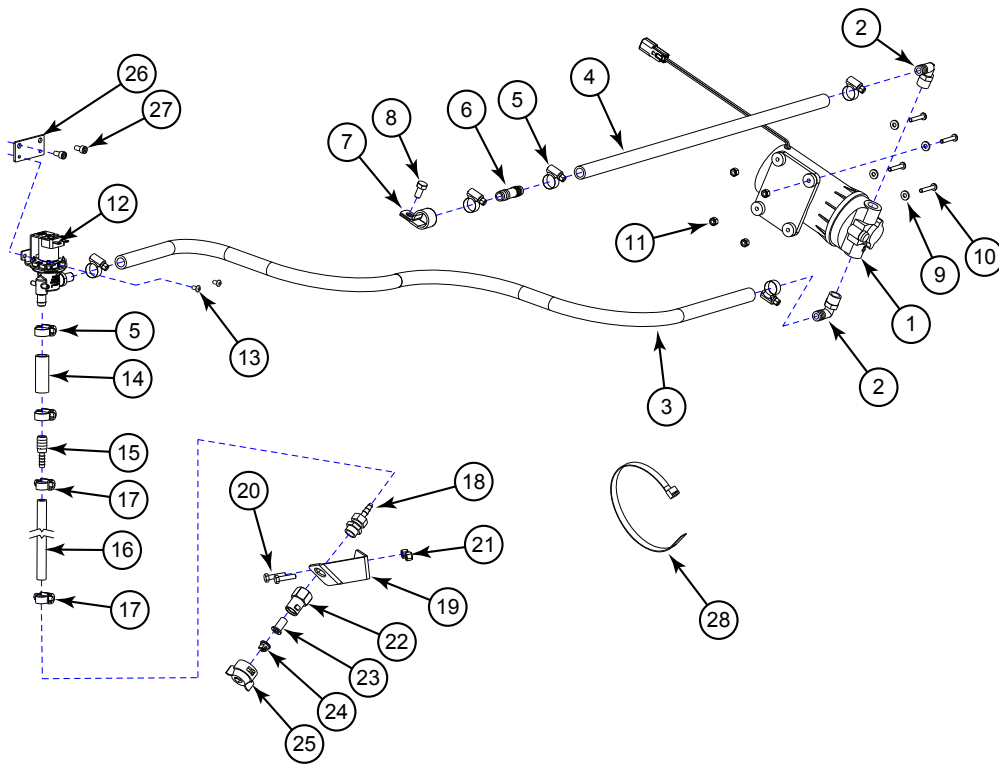
2017.11.02

2016.07.12

Pos.	Product no	QTY	Description	Notes
	56116512	1	WASH HOSE KIT	
1	56116777	1	PUMP-36VDC	
2		4	Screw, Pan, 10-24 x 1.25	[1]
3		4	Nut, 10-24	[1]
4		4	Washer, Flat, SAE #10	[1]
5	56261246	2	ELBOW	
6		4	Hose Clamp, SAE #6	[1]
K1		1	Hose Clamp, SAE #6	[2]
7	56116902	2	HOSE-BRAIDED-.50 X 24.00	
8	56116612	1	COUPLER-BARB-0.5	
9		1	P-Clamp, 3/4	[1]
10		1	P-Clamp, 1/2	[1]
11		1	Screw, Pan, M5-.8 x 12mm	[1]
12		1	Hose Barb, Female	[2]
13		1	Wash Hose, Coil	[2]
14	56111349	1	SPRAY GUN	[2]
15		1	Hose Adapter, 3/8 NPT x 3/4 GHT	[2]
16	56116678	1	WASH HOSE MOUNT WELDMENT	[2]
17		3	Screw, Hex Head, M8-1.25 x 16mm	[1]
18		2	Washer, Flat, M8	[1]
19	56116681	1	BRACKET-WASH HOSE	
20		2	Screw, Hex Head, M8-1.25 x 12mm	[1]
21		2	Threaded Insert, M8-1.25	[1]
	Service Kits			
K1	56116945	1	HOSE KIT-COIL	
K2	56116946	1	HARDWARE KIT-WASH HOSE	

Part Notes:

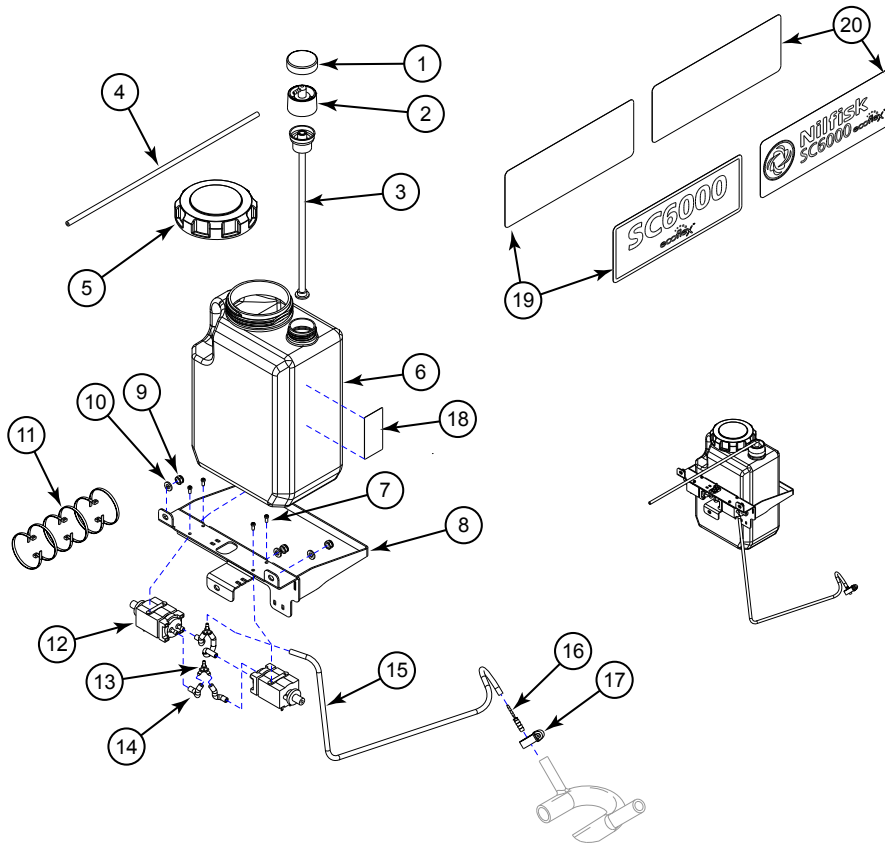
- [1] - Part of K2
 [2] - Part of K1



Pos.	Product no	QTY	Description	Notes
	56116513	1	DUST GUARD KIT	
1	56116767	1	PUMP-36VDC	
2	56109566	2	BARB 90 ELBOW 1/2 X 3/8 NPT	
3	56410242	1	HOSE E00168	[1]
4		1	Hose, Braided, 1/2", x 24"	[1]
5		7	Hose Clamp, SAE #6	[1]
6		1	Coupler, 1/2" Barb	[1]
7		1	P-Clamp	[2]
8		1	Screw, Hex, M8 x 16mm	[2]
9		4	Washer, Flat, SAE #10	[2]
10		4	Screw, Pan Phil, 10-24 x 1.25	[2]
11		4	Nut, Nyloc, 10-24	[2]
12	56397216	1	VALVE SOLENOID 36V	
13		2	Scr-Button Soc SS M5-0.8 x 10	[2]
14		1	Hose, Braided, 1/2" x 2"	
15		1	Reducer, Barb, 1/2 x 1/4	
16		1	Hose, Braided, 1/4" x 16.25"	
17		2	Clamp, SAE #4	
18		1	Nozzle Adapter	[1]
19	56116697	1	BRACKET-SPRAY NOZZLE	
20		2	Screw, Hex, SS, M6 x 25mm	[2]
21		2	Nut, Nyloc, M6	[2]
22	56507909	1	ADAPTER NOZZLE	[2]
23	56507916	1	STRAINER CHECK VALVE 5 PSI	[2]
24		1	Nozzle Orifice	[2]
25		1	Nozzle Cap	[2]
26		1	Solenoid Adapter Plate	[2]
27		2	Screw, Socket Head, M6 x 12	[2]
28		3	Cable Tie	[2]
			Service Kits	
K1	56116949	1	HOSE KIT-DUST GUARD	
K2	56118056	1	NOZZLE KIT-DUST GUARD	
K3	56118057	1	HARDWARE KIT-DUST GUARD	

Part Notes:

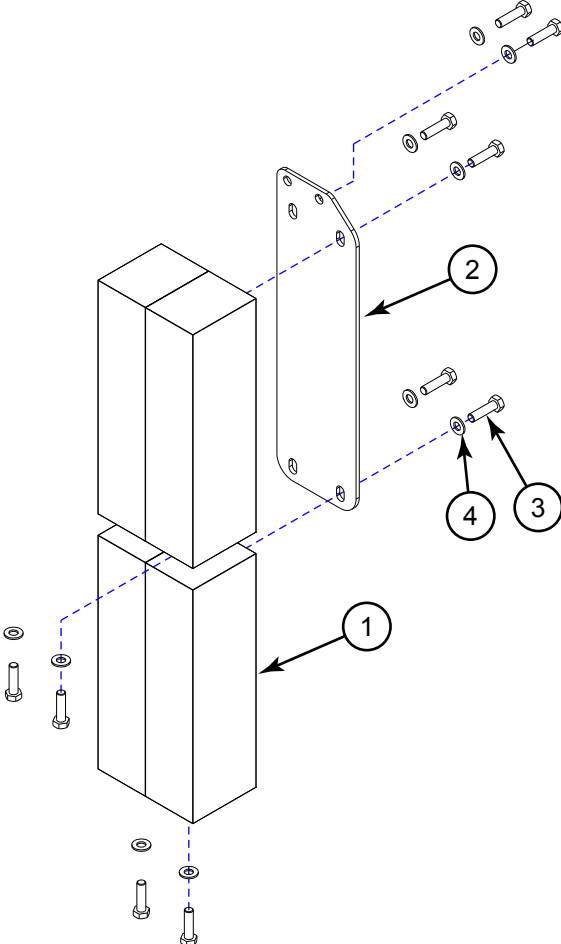
- [1] - Part of K1
 [2] - Part of K3



Pos.	Product no	QTY	Description	Notes
	56116517	1	ECO FLEX KIT	
1	56315690	1	CAP 38MM BUTTRESS	
2	56315523	1	CAP DRY BREAK 1/8 BARB	
3	56104189	1	INSERT-DRY BRAKE	
4		1	Supply Hose, 14"	[1]
5	9100001817	1	CAP PLASTIC F DETERGENT SOLU. TANK SIP	
6	56104408	1	CHEMICAL BOTTLE ASSY	
6	56104190	1	ECOFLEX BOTTLE ASSY	
7		4	Screw M3 x 7 Self Thrd Torx Plas	[2]
8	56116726	1	BRACKET WELDMENT	
9		3	Nut, Hex, Nylock, M6	[2]
10		3	Washer, Flat, 6.4mm	[2]
11		6	Cable Tie	[2]
12	56110742	2	PUMP DETERGENT 12V	
13		2	Y-Fitting, 1/8" Barb	[1]
14		4	Pump Hose, 2"	[1]
15		1	Delivery Hose, 32"	[1]
16		1	Reducer, 1/8 x 1/4, Barb	[1]
17		1	Hose Clamp	[1]
18		1	Decal, Chemical Ratio	[3]
19		2	Decal, Advance, SC6000 EcoFlex	[3]
20		2	Decal, Nilfi sk, SC6000 EcoFlex	[3]
			Service Kits	
K1	56116999	1	DECAL KIT-ECOFLEX	[4]
K2	56116940	1	HOSE KIT-ECOFLEX	[5]
K3	56116941	1	HARDWARE KIT-ECOFLEX	[6]

Part Notes:

- [1] - Part of K2
- [2] - Part of K3
- [3] - Part of K1
- [4] - Includes pos. 18,19,20
- [5] - Includes pos.4,13,14-17
- [6] - Includes pos. 3,9-11



56116576 WEIGHT KIT

SC6000 910C NIL

2017.11.02

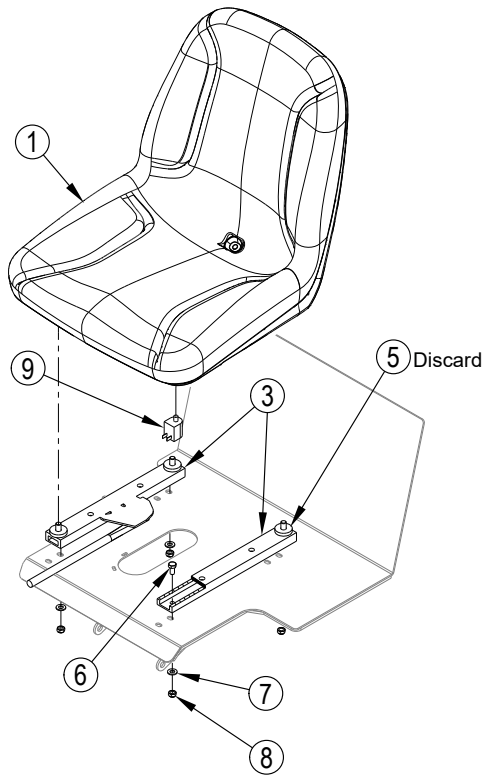
2016.06.10

Pos.	Product no	QTY	Description	Notes
	56116576	1	WEIGHT KIT-STEERING COLUMN	
1		4	Weight, 22 Lb (10 Kg)	
2		1	Mounting Plate	
3		10	Screw, Hex Head, M8 x 30	[1]
4		10	Washer, Flat	[1]
			Service Kits	
K1	56116944	1	HARDWARE KIT-WEIGHT	

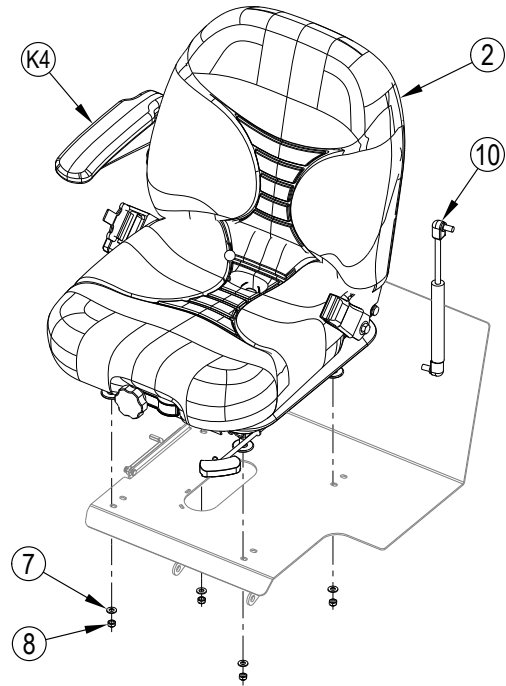
Part Notes:

[1] - Part of K1

STANDARD SEAT



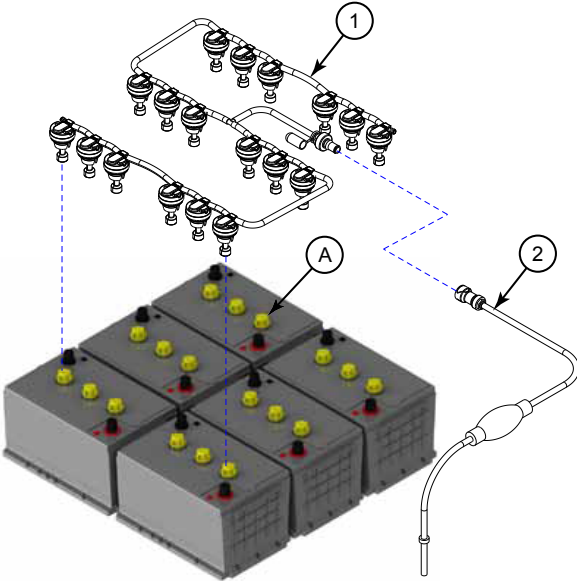
DELUXE SEAT



Pos.	Product no	QTY	Description	Notes
			CONTENTS OF KIT 56116600	
	56116600	1	SEAT KIT-STANDARD	
1	56383292	1	SEAT-11.25 IN. MOUNT	
3		1	Seat Slide Pair	[1]
4		4	Screw, Pan Head, 5/16-18 x 1.25	
5		4	Spacer Washer (Not Used)	
6		4	Screw, Hex Head, 5/16-18 x 5/8	[2]
7		4	Washer, Flat 5/16	[2]
8		4	Nut, Hex, Nyl Loc, 5/16-18	[2]
9	7-82-00050	1	SWITCH SEAT	
			CONTENTS OF KIT 56116366	
	56116366	1	DELUXE SEAT KIT	
[]	7-82-00050	1	SWITCH SEAT	
2		1	Deluxe Seat	
7		4	Washer, Flat 5/16	[3]
8		4	Nut, Hex, Nyl Loc, 5/16-18	[3]
10	56317072	1	GAS SPRING	[4]
		1	Service Kits	
K1	56109300	1	SLIDE KIT NO STUDS	
K2	56118053	1	HARDWARE KIT-SEAT	
K3	56118054	1	HARDWARE KIT-DELUXE SEAT	
K4	56118064	1	ARM REST KIT-DELUXE	

Part Notes:

- [1] - Part of K1
- [2] - Part of K2
- [3] - Part of K3
- [4] - For machines built after serial number 3510173102366 a gas spring is standard on the machine, to replace this gas spring order part number 56118099.



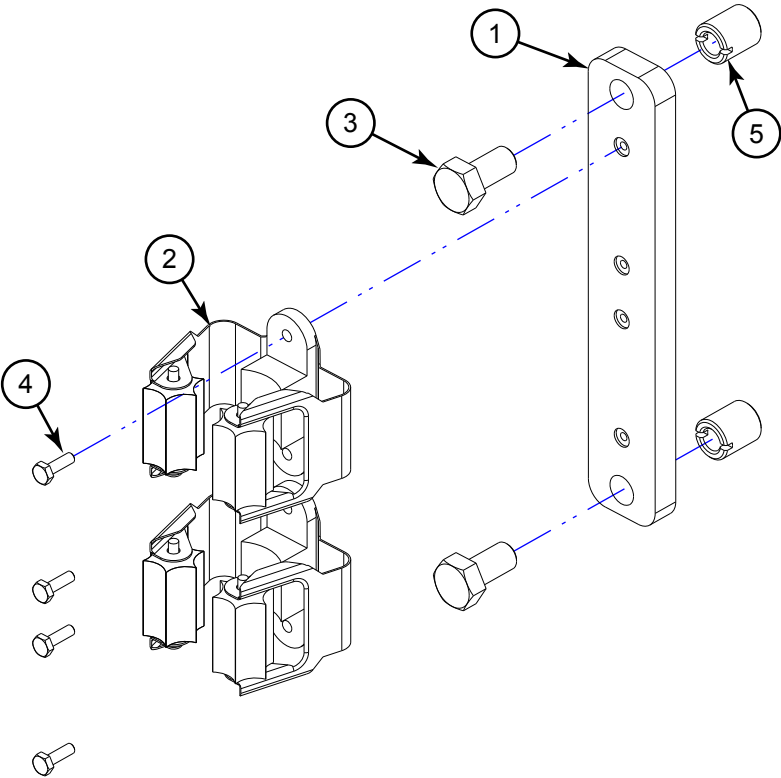
56116614 BATTERY WATERING KIT

SC6000 910C NIL

2017.11.02

2016.06.10

Pos.	Product no	QTY	Description	Notes
	56116614	1	BATTERY WATERING KIT-36V	
1		1	Watering Manifold	
2		1	Hand Pump	



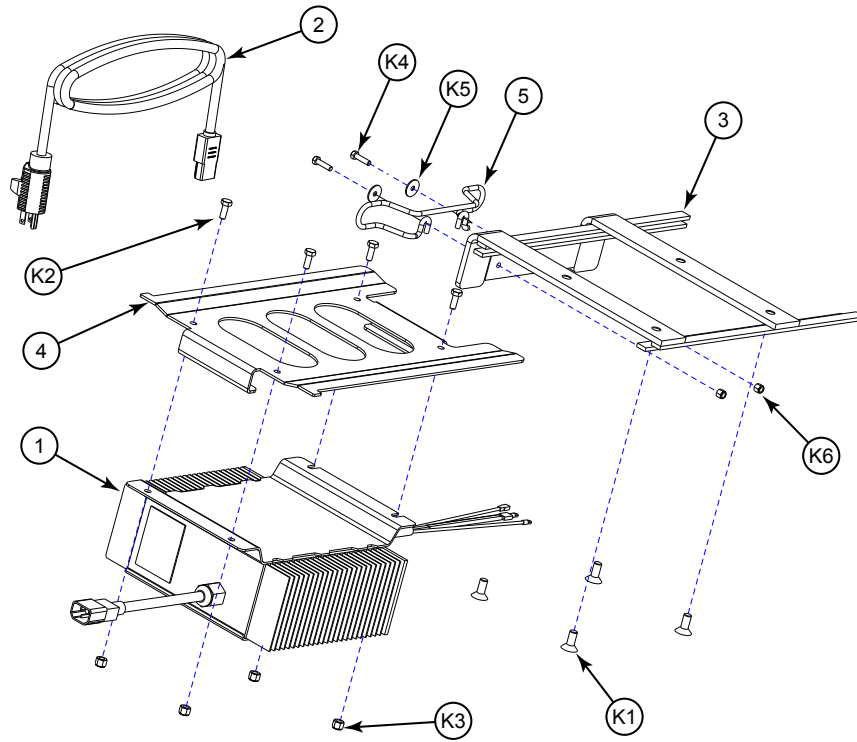
56116619 MOP HOLDER KIT

SC6000 910C NIL

2017.11.02

2016.06.10

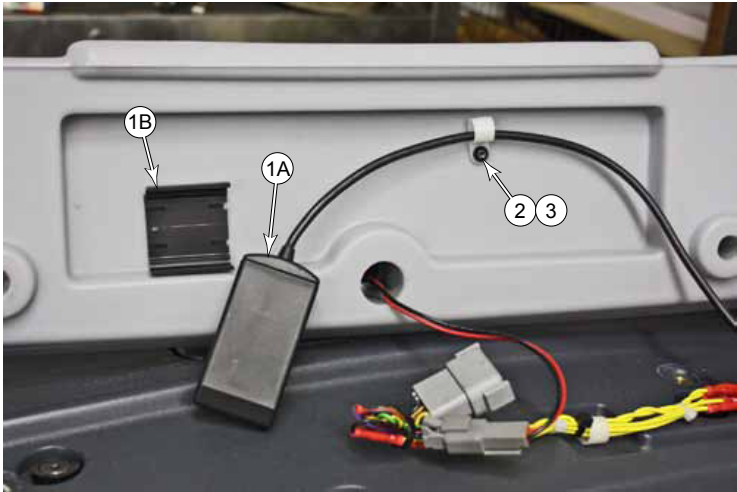
Pos.	Product no	QTY	Description	Notes
	56116619	1	MOP HOLDER KIT	
1		1	Bracket-Mop Holder	
2		2	Handle Grips	
3		2	Screw M8x16 Hex Head, Stainless Steel	
4		4	Screw M3x10 Hex Head	
5		2	Threaded Insert, Brass, M8	



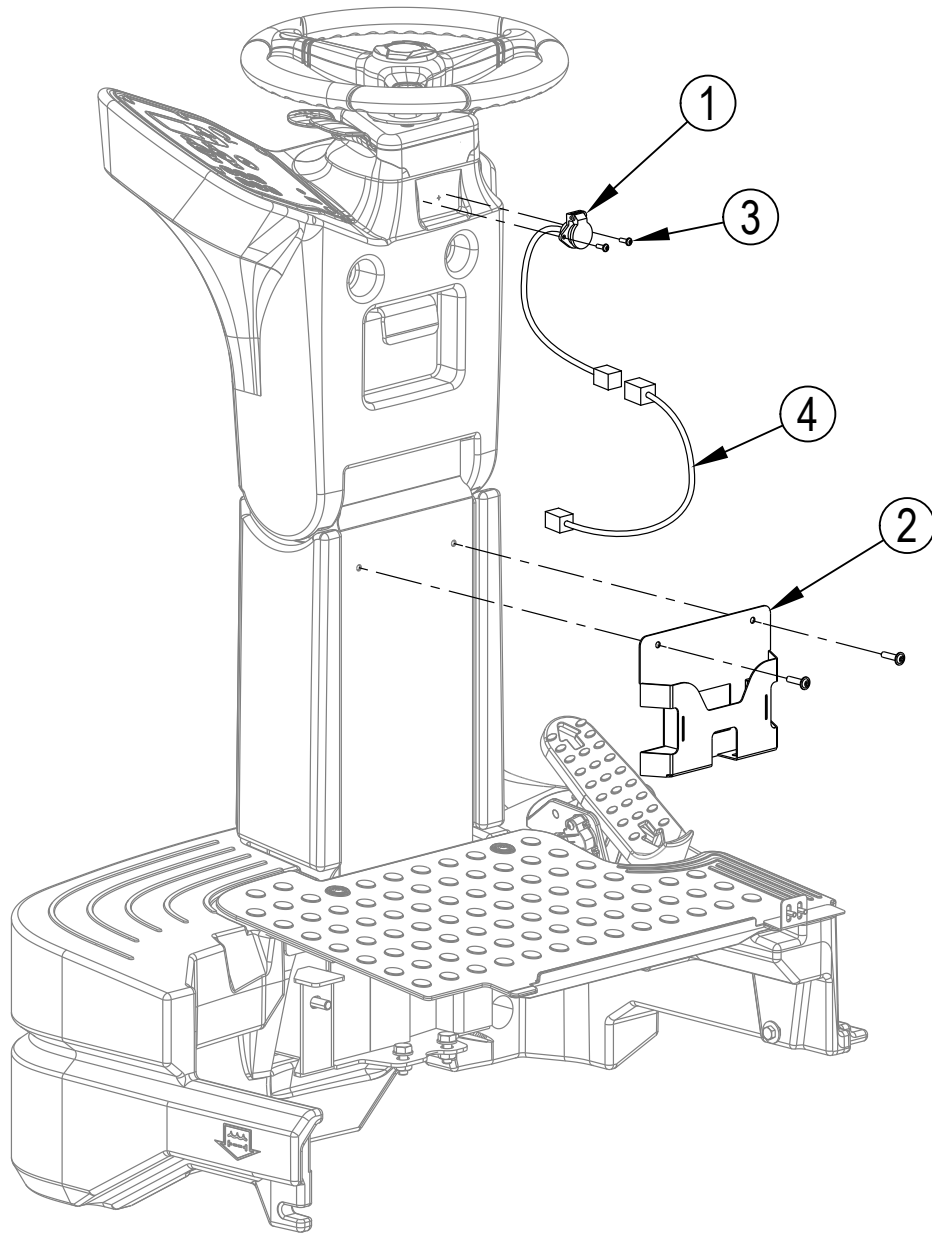
Pos.	Product no	QTY	Description	Notes
	56116627	1	ONBOARD CHARGER KIT-EURO	
1	56315204	1	CHARGER ON-BOARD 36V	[1]
2	56383389	1	CORD-CHARGER UK	
2	56383388	1	CORD-CHARGER EUROPE	
3	56116628	1	MOUNT WELDT-ONBOARD CHARGER	
4	56116631	1	BRACKET-ONBOARD CHARGER MOUNT	
5	1466317000	1	SUPPORT BATTERY CHARGER CABLE KIT	
Kit	56116947	1	HARDWARE KIT-ONBOARD CHARGER	
K1		4	Screw, Flat Hd, M8 x 20mm	
K2		4	Screw, Hex Hd, M6 x 16mm	
K3		4	Nut, Nylok, M6	
K4		2	Screw, Hex Hd, M5 x 20mm	
K5		2	Washer, Flat, SS, M5	
K6		2	Nut, Nylok, M5	

Part Notes:

[1] - GUARANTEE DATE EXPIRED



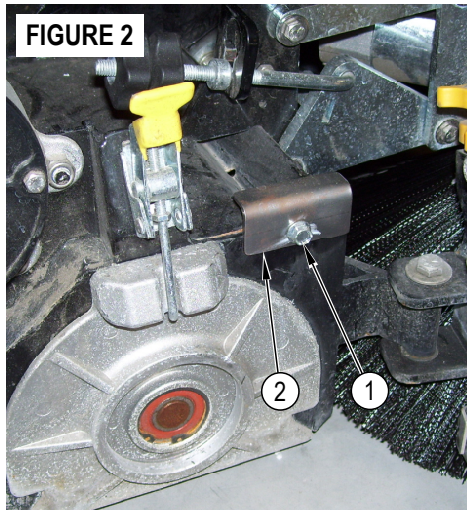
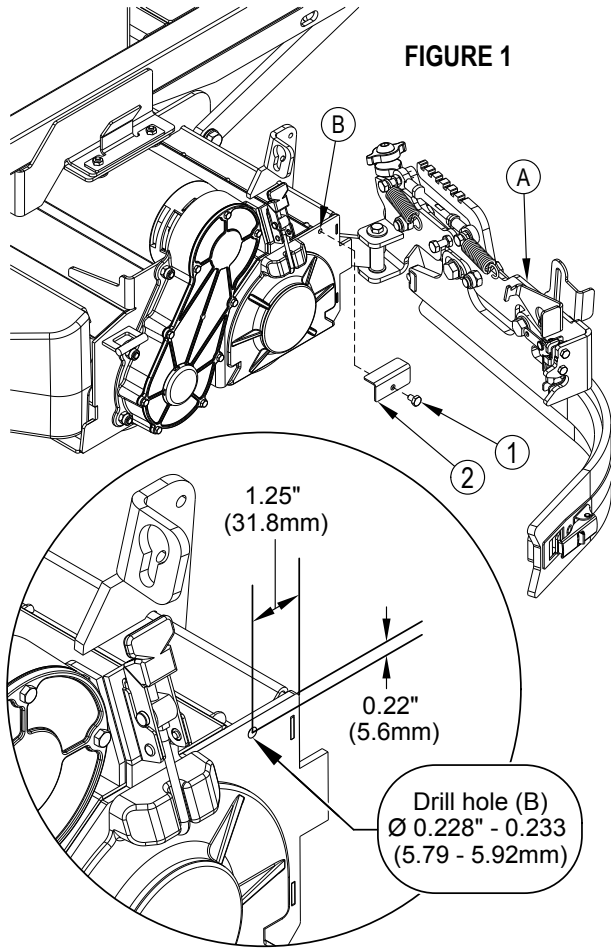
Pos.	Product no	QTY	Description	Notes
	56116731	1	TRACKCLEAN SC6000 KIT	
1		1	Trackclean Sensor	
2		1	Cable Clamp	
3		4	Screw, M5 x 20	
NS		1	Alcohol Swabs	



Pos.	Product no	QTY	Description	Notes
	56116856	1	USB KIT	[1]
1	56116601	1	USB-2,0-TYPE A-PANEL MOUNT	
2	56116857	1	PHONE HOLDER WELDMENT	
3	56116865	2	SCREW M4X12 WN1451 BLACK ZN	
4	56118143	1	HARNESS-USB-JUMPER	

Part Notes:

- [1] - TSB-FC-2017-033 SC6000 iPhone or iPad not charging
DE TSB-FC-2017-033 SC6000 iPhone und iPad können nicht geladen werden



56118127 SCRUB DECK KIT

SC6000 910C NIL

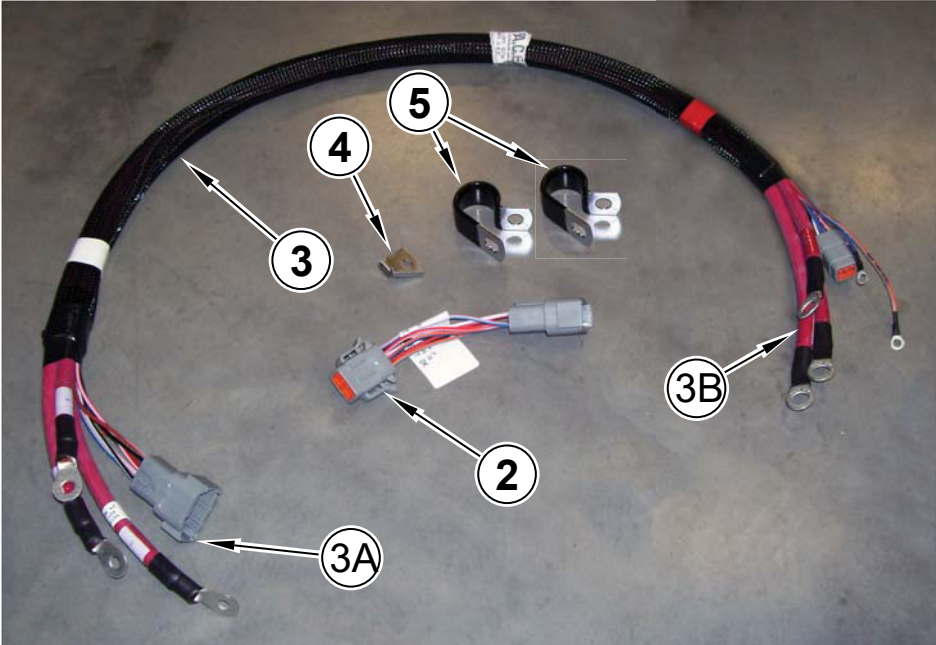
2017.11.02

2016.11.29

Pos.	Product no	QTY	Description	Notes
0	56118127	1	SCRUB DECK KIT	[1]
1		1	Scr, Hex Thd Form 1/4-20 X .38	
2		1	Bracket	

Part Notes:

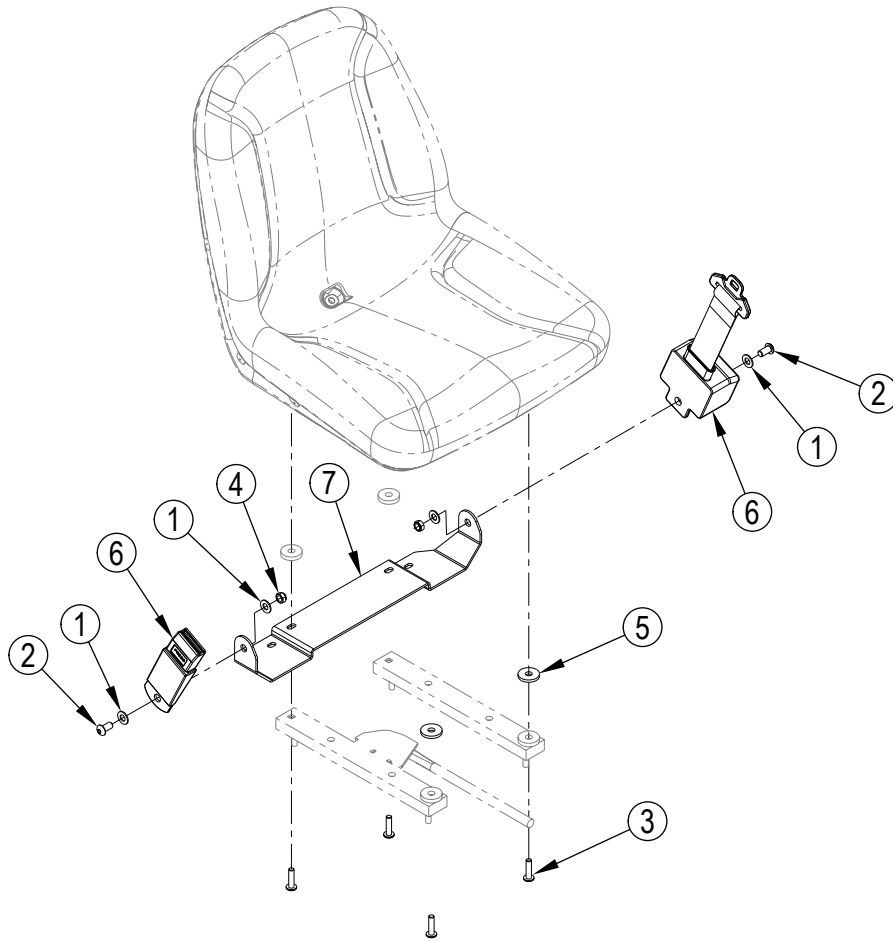
[1] - TSB-FC-2017-031 SC6000 Solution deflector on cylindrical decks



Pos.	Product no	QTY	Description	Notes
	56118180	1	TRACTION HARNESS KIT	[1]
2		1	Harness - Y	
3		1	Harness-Traction	
4	56394134	1	BRACKET-ALIGNMENT	
5		2	Clamp Hose Support	
6		1	Screw M6X20 HEX HD F/THD SS ISO4017	
7		1	Nut Lock Hex M6 LOW SS ISO10511	
8		2	Washer Plain M6X18 SS ISO7093	
9		2	Tie Cable 4.8x290 Black	
10		2	Clamp 9X350	

Part Notes:

- [1] - TSB-FC-2018-012 SC6000 Loss of Drive
 DE TSB-FC-2018-012 SC6000 Maschine ohne Fahrfunktion
- TSB-FC-2019-036 SC6000 Loss of Drive Rev. 2
 DE TSB-FC-2019-036 SC6000 Verlust der Fahrfunktion Rev. 2
- TSB-FC-2020-005 SC6000 Loose UVW drive motor wires
 DE TSB-FC-2020-005 SC6000 Lose UVW Kabel am Fahrmotor



56383455 - SEAT BELT KIT

SC6000 910C NIL

2017.11.02

2018.02.08

Pos.	Product no	QTY	Description	Notes
0	56383455	1	SEAT BELT KIT- STANDARD SEAT	
1	56002063	4	WSH FLT SAE 3/8	
2	56003729	2	SCR SOC HD BUT LOC 3/8-16X.75	
3	56002795	4	SCR PAN PHIL 5/16-18 X 1.25	
4	56002841	2	NUT HEX NYL LOC-THIN 3/8-16	
5	56009195	2	WSH FLT .406X 1.250X .164	
6	56109301	1	BELT SEAT 60	
7	56383296	1	BRACKET-SEAT BELT	

