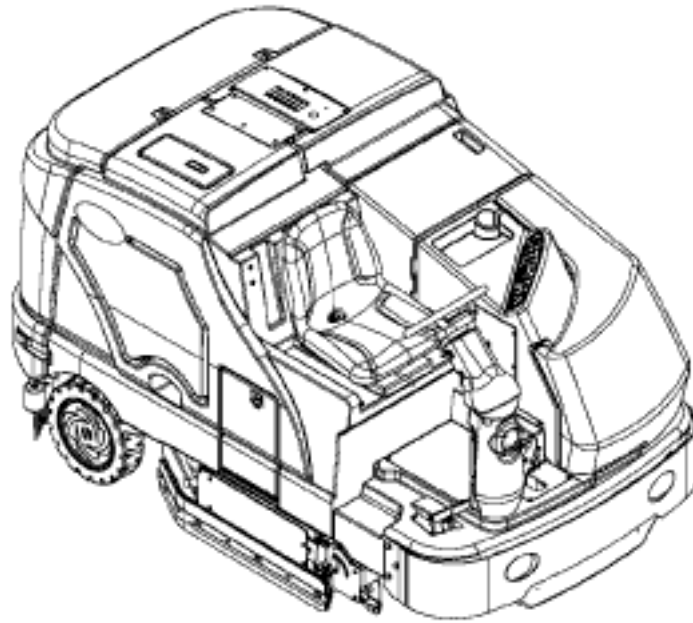


# PARTS LIST



2021.02.02

# TABLE OF CONTENTS

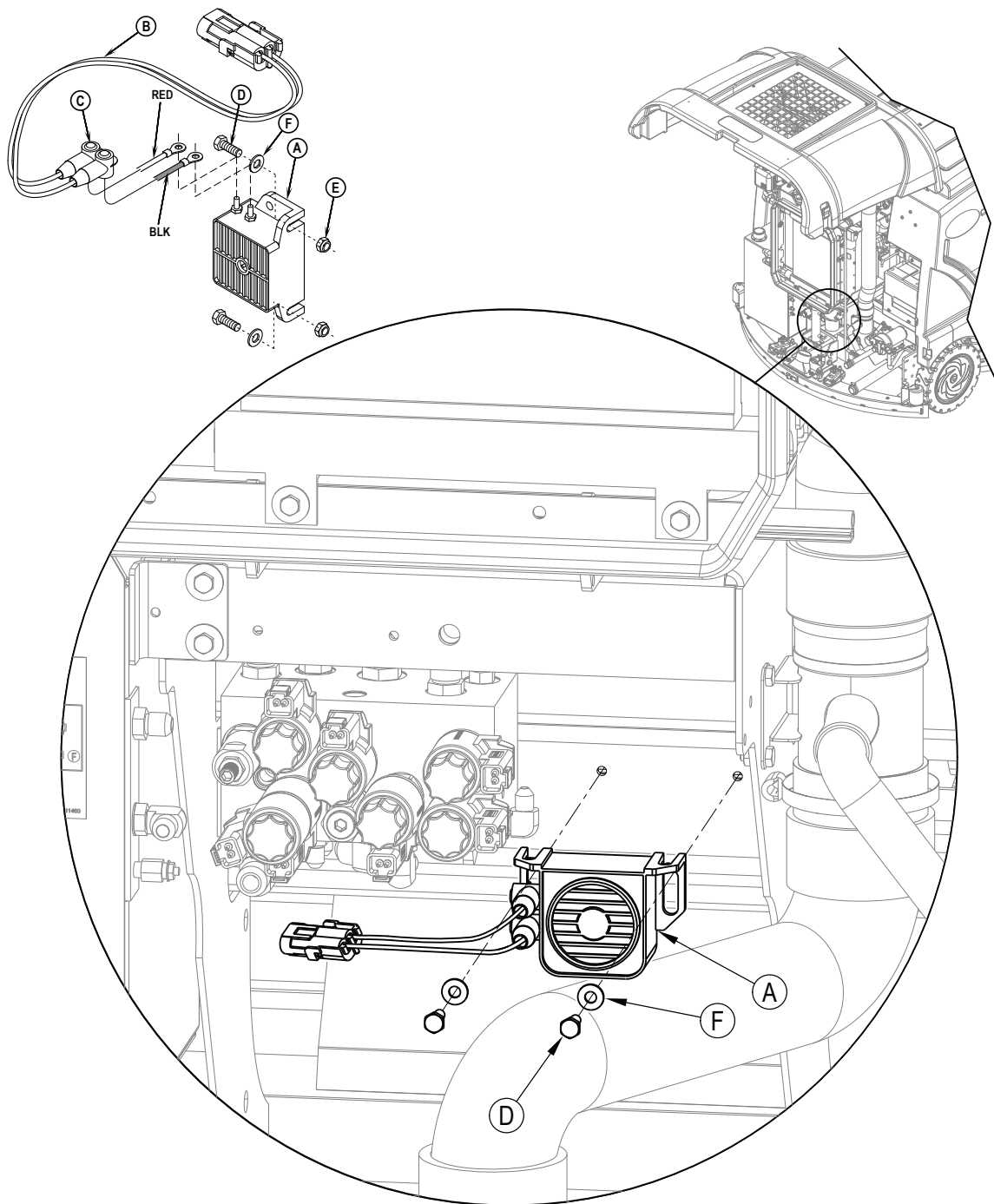
---

BACK-UP ALARM KIT .....	1
BRUSH SELECTOR GUIDE-CYLINDRICAL .....	3
BRUSH SELECTOR GUIDE-DISK (RIGHT SCRUB) .....	5
CHASSIS SYSTEM 1 .....	7
CHASSIS SYSTEM 2 .....	9
CONTROL SYSTEM .....	11
CONTROL SYSTEM - BRAKE & FOOT PEDAL ASSEMBLIES .....	14
CONTROL SYSTEM - STEERING ASSY .....	16
DEBRIS TRAY KIT .....	18
DECAL SYSTEM .....	20
DETERGENT INJECTION SYSTEM .....	22
DRIVE WHEEL SYSTEM .....	24
ELECTRICAL SYSTEM .....	26
ELECTRICAL SYSTEM - CONTROL BOARD ASSY .....	28
ENGINE ASSY - LPG .....	30
ENGINE ASSY - DIESEL .....	33
ENGINE BASE ASSY - DIESEL .....	36
ENGINE BASE ASSY - LPG .....	38
ENGINE SYSTEM - DIESEL .....	40
EXHAUST CATALYST ASSY - LPG .....	43
EXHAUST MUFFLER ASSY - DIESEL .....	45
FUEL TANK ASSY - DIESEL .....	47
FUEL TANK ASSY - LPG .....	49
HYDRAULIC CYLINDER ASSEMBLIES .....	51
HYDRAULIC CYLINDER ASSEMBLIES-ORFS .....	53
HYDRAULIC MOTOR ASSEMBLIES .....	55
HYDRAULIC MOTOR ASSEMBLIES-ORFS .....	57
HYDRAULIC OIL COOLER - RESERVOIR .....	59
HYDRAULIC OIL COOLER - RESERVOIR-ORFS .....	61
HYDRAULIC PUMP ASSEMBLIES .....	63
HYDRAULIC PUMP ASSEMBLIES-ORFS .....	65
HYDRAULIC SYSTEM .....	67
HYDRAULIC SYSTEM-ORFS .....	70
HYDRAULIC VALVE BLOCK ASSY .....	73
HYDRAULIC VALVE BLOCK ASSY-ORFS .....	75
LADDER DIAGRAM - DIESEL .....	77
LADDER DIAGRAM - LPG .....	80
OPTIONAL KITS & ACCESSORIES .....	83
RADIATOR ASSY .....	85
REAR WHEEL SYSTEM .....	87
RECOVERY SYSTEM - 1 .....	89
RECOVERY SYSTEM - 2 .....	91
RIGHT SCRUB SYSTEM - 1 .....	93
RIGHT SCRUB SYSTEM - 2 .....	95

# TABLE OF CONTENTS

---

RIGHT SCRUB SYSTEM - 3.....	98
RIGHT SCRUB SYSTEM HYDRAULICS.....	100
RIGHT SCRUB SYSTEM HYDRAULICS-ORFS.....	102
Right Scrub System Hydraulics - JIC 37 Equipped Machines.....	104
SCRUB SYSTEM - 1.....	106
SCRUB SYSTEM - 2.....	109
SCRUB SYSTEM - SIDE SKIRT ASSEMBLIES.....	112
SIDE BROOM HYDRAULIC ASSY - DUAL.....	115
SIDE BROOM HYDRAULIC ASSY - DUAL-ORFS.....	117
Side Broom Hydraulic Assy - Dual - JIC 37 Equipped Machines.....	119
SIDE BROOM SUB ASSY - LEFT.....	121
SIDE BROOM SUB ASSY - PUMP.....	123
SIDE BROOM SUB ASSY - RIGHT.....	125
SIDE BROOM SYSTEM - DUAL.....	127
SOLUTION SYSTEM - 1.....	129
SOLUTION SYSTEM - 2.....	132
SQUEEGEE ASSY.....	135
SQUEEGEE MOUNT ASSY.....	137
SQUEEGEE SYSTEM.....	139
VAC FAN ASSY.....	141
WARNING BEACON KIT.....	143
Hydraulic Cylinder Assemblies - JIC 37 Equipped Machines.....	145
Hydraulic Motor Assemblies - JIC 37 Equipped Machines.....	147
Hydraulic Oil Cooler - Reservoir - JIC 37 Equipped Machines.....	149
Hydraulic Pump Assemblies - JIC 37 Equipped Machines.....	151
Hydraulic System - JIC 37 Equipped Machines.....	153
Hydraulic Valve Block Assy - JIC 37 Equipped Machines.....	156
56110300 - Overhead Guard Kit.....	158
56110607 - Strainer Kit.....	160
56111298 - Underhood Light Kit.....	162
56111317 - Brake / Signal Light Kit.....	164
56111346 - Wash Hose Kit.....	166
56111535 - Deluxe Seat Kit.....	168
56111733 - Horn Switch Kit.....	170
56111848 - ROLLER BUMPER KIT.....	172
56111873 - FOOT GUARD KIT.....	174
56305519 - Back-up Alarm Kit.....	176
56383455 - SEAT BELT KIT.....	178
56383993 - SKIRT STOP KIT.....	180
56384523 - HOSE-LP KIT.....	182



# BACK-UP ALARM KIT

SC8000 1300 D NIL

2017.11.02

2013.08.14

<b>Pos.</b>	<b>Product no</b>	<b>QTY</b>	<b>Description</b>	<b>Notes</b>
A	56409232	1	BACK-UP ALARM	
B	56409495	1	WIRE ASSY. PIGTAIL	
C	56409538	2	TERMINAL INSULATOR	
D	56009018	2	SCR HEX THD FORM 1/4-20X .75	
E	56002708	2	NUT HEX NYL LOC 1/4-20	
F	56002098	2	H FLT SAE 1/4	

**BRUSH SELECTOR GUIDE-CYLINDRICAL (MAIN SCRUB DECK)**

We provide brushes and pad holders that will give you the best possible performance between machine and floor. Following are descriptions of the materials and their applications.

- 80 Grit Brush:** Medium aggressive grit brush. Good all-around brush for medium to heavy buildup removal. Can also be used for general stripping operations.
- 180 Grit Brush:** Least aggressive grit brush. Used for daily cleaning of hard-finished floors.
- Polypropylene Brush:** Standard equipment brush. Low cost, yet effective in cleaning many common floor surfaces.

**48" BRUSH LENGTH**

56110011 - Polypropylene

56110012 - 80 Grit

56110013 - 180 Grit

**CYLINDRICAL BRUSH APPLICATION GUIDE (SUGGESTION ONLY)**

Application	80 Grit	180 Grit	Polypropylene
<b>Stripping:</b>			
Concrete	X		
Terrazzo	X		
Ceramic/Quarry tile	X		
Vinyl tile	X		
<b>General Scrubbing:</b>			
Concrete	X	X	X
Terrazzo		X	X
Ceramic/Quarry tile		X	X
Marble		X	
Vinyl tile		X	X
Raised-rubber tile		X	

**SIDE BROOMS LEFT & RIGHT FRONT**

- Side Broom:** PN56477812 Polypropylene (STD)  
The side broom function is to sweep the dirt and debris away from the curb, wall, pallet, etc. into the path of the scrub deck.
- PN56505629 Soft (Optional)



Diameter.....20" (50.8 cm)

# BRUSH SELECTOR GUIDE-CYLINDRICAL

SC8000 1300 D NIL

2017.11.02

2013.08.14

---

<b>Pos.</b>	<b>Product no</b>	<b>QTY</b>	<b>Description</b>	<b>Notes</b>
	56110011		BRUSH CYL 48 PROLENE	
	56110012		BRUSH CYL 48 DYNA GRIT 80	
	56110013		BRUSH CYL 48 MIDLITE 180	

We provide brushes and pad holders that will give you the best possible performance between machine and floor. Following are descriptions of the materials and their applications.

**Prolene:** Polypropylene material for medium-duty scrubbing on concrete, terrazzo and vinyl floor tile. Recommended for use in place of green or blue pads.

**Dyna Grit:** For aggressive, heavy-duty scrubbing or stripping of floors. Recommended for use in place of brown pads.

**MidLite Grit:** For general purpose scrubbing of sealed or unsealed concrete, stone, terrazzo, quarry tile and other resilient hard floor surfaces. Recommended for use in place of green or blue pads.

#### Ø15" BRUSH BLOCK

56505832 - Dyna Grit (80)

56505834 - Prolene

56505838 - MidLite Grit (180)

### DISC BRUSH APPLICATION GUIDE (SUGGESTION ONLY)

Application	80 Grit	180 Grit	Prolene
<b>Stripping:</b>			
Concrete	X		
Terrazzo	X		
Ceramic/Quarry tile	X		
Vinyl tile	X		
<b>General Scrubbing:</b>			
Concrete	X	X	X
Terrazzo		X	X
Ceramic/Quarry tile		X	X
Vinyl tile		X	X

# BRUSH SELECTOR GUIDE-DISK (RIGHT SCRUB

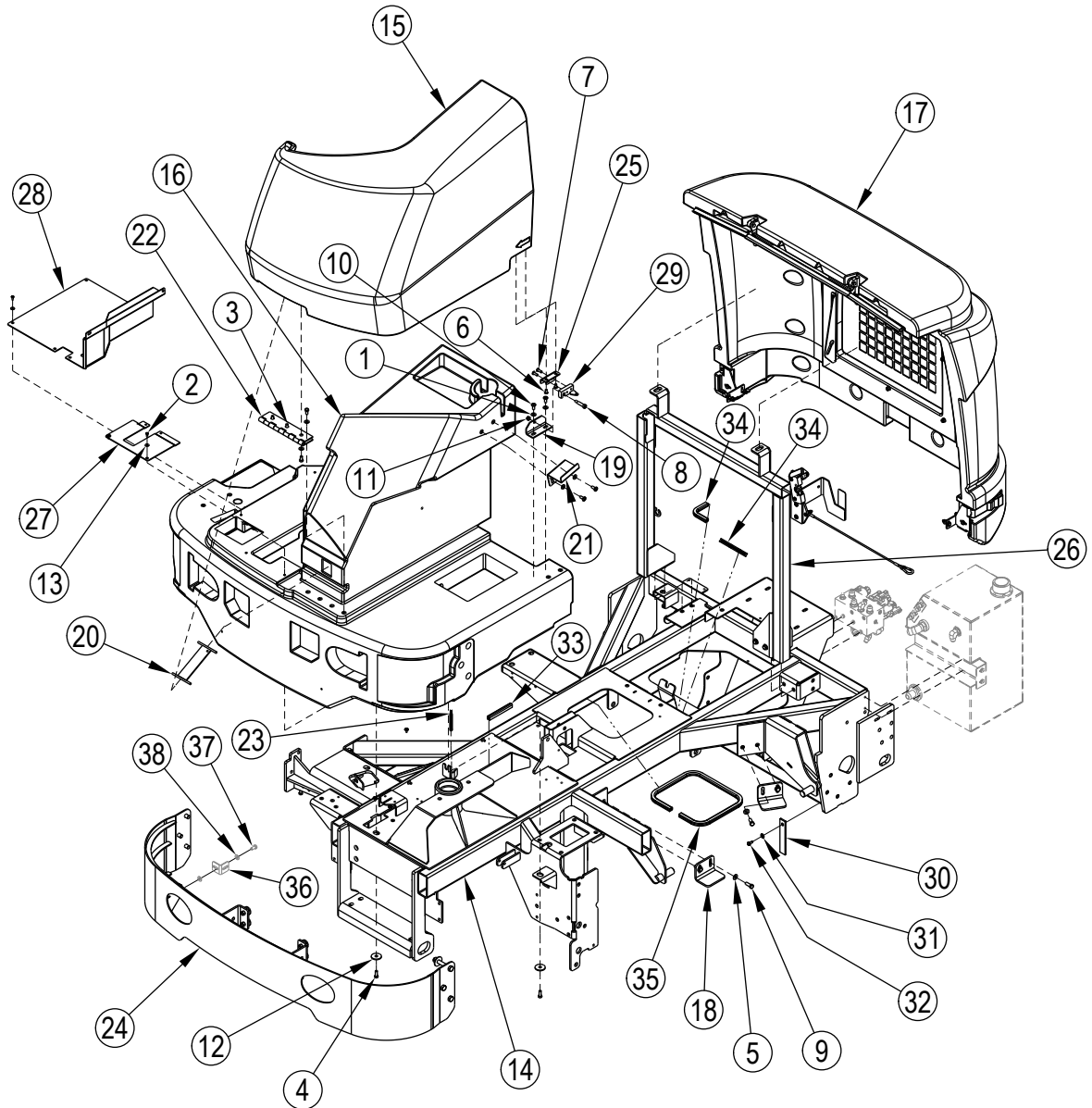
SC8000 1300 D NIL

2017.11.02

2013.08.14

---

<b>Pos.</b>	<b>Product no</b>	<b>QTY</b>	<b>Description</b>	<b>Notes</b>
	56505832		DISC BRUSH-16 DYNAGRIT 3 LUG	
	56505834		DISC BRUSH-16 PROLENE 3 LUG	
	56505838		DISC BRUSH-16 MIDLITE 3 LUG	



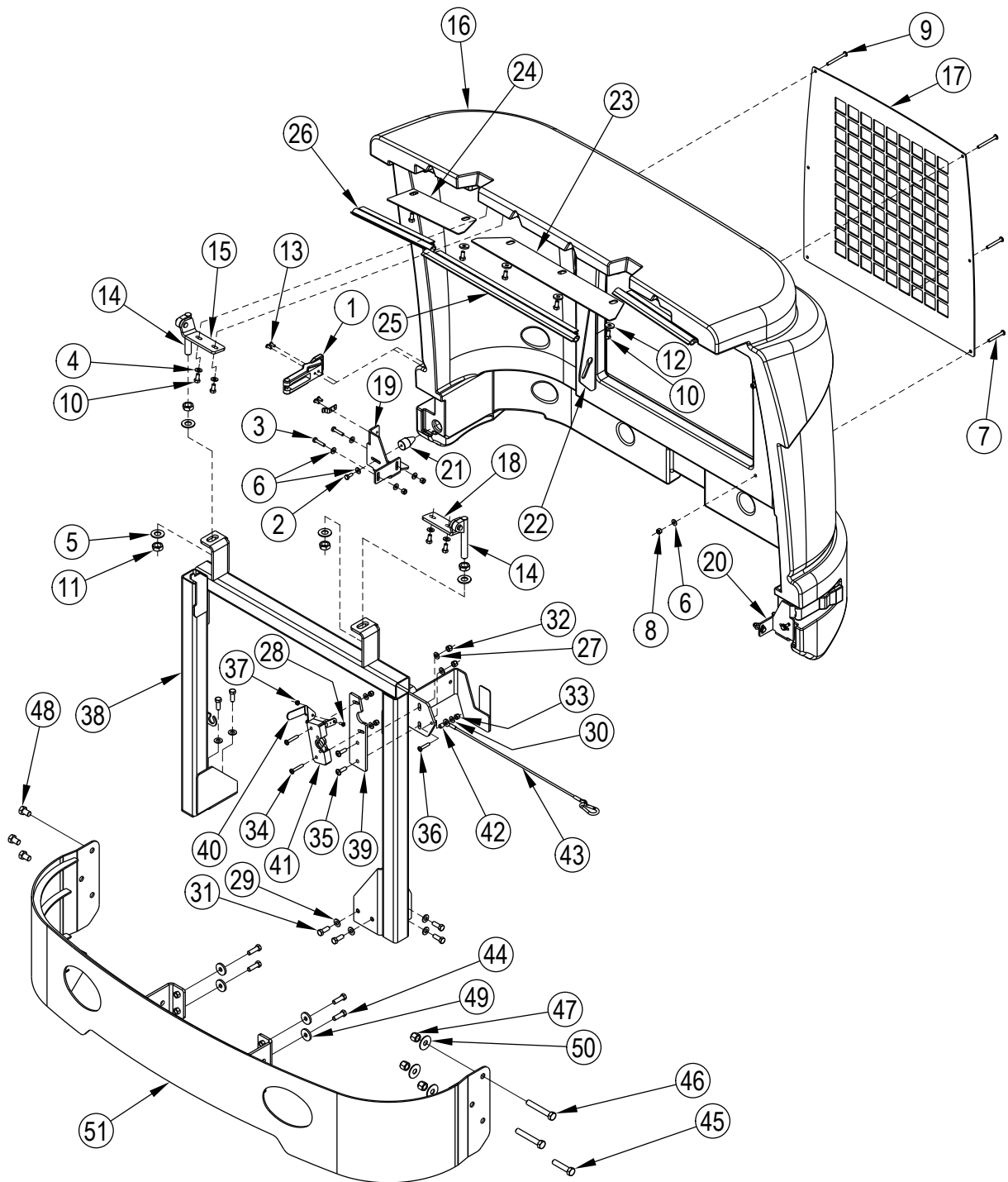
# CHASSIS SYSTEM 1

SC8000 1300 D NIL

2020.05.26

2020.05.26

Pos.	Product no	QTY	Description	Notes
1	56001939	11	WSH FLT SAE 5/16	
2	56001993	8	SCREW 10-24 X 0.5 ZINC PL	
3	56002035	7	SCR HEX 5/16-18 X .62	
4	56002037	3	SCR HEX 5/16-18 X .88	
5	56002063	4	WSH FLT SAE 3/8	
6	56002145	2	SCR PAN PHIL 1/4-20 X .50	
7	56002507	2	SCR PAN PHIL 1/4-20 X .75	
8	56002624	1	SCR SOC SHD.38X1.25X5/16-18	
9	56002663	4	SCR HEX 3/8-16 X 1.00	
10	56002793	4	SCR PAN PHIL 5/16-18 X .75	
11	56002826	1	NUT HEX NYL LOC-THIN 5/16-18	
12	56009242	3	WSH FLT .406X1.50X.125	
13	56009267	8	WSH FLT .202 X .562 X .040	
14		1	Chassis Weldment	
15	56110416	1	HOOD FRONT	
	56111654	1	HOOD ASSY PROPANE EURO	
16	56110421	1	FLOOR TANK FRONT	
17	56110442	1	COVER ASSEMBLY REAR	
18	56511149	2	BRACKET TANK STOP	
19	56110640	1	PLATE PIN SUPPORT	
20	56110644	1	HOOD STRAP WELDMENT	
21	56110724	1	SUPPORT PROPANE COVER	
22	56110726	1	HINGE COVER	
23	56110734	1	TRIM-SEAL	
24	56110900	1	HEAVY BUMPER ASSY	
25	56110909	1	PLATE LATCH MOUNT	
26	56111128	1	COVER SUPPORT ASSY	
27	56111944	1	FLOOR PLATE WELDT	
28	56111945	1	FLOOR WELDT	
29	56413802	1	LATCH RH	
30	56109633	1	STRAP STATIC 6	
31	56002098	1	H FLT SAE 1/4	
32	56009250	1	SCR HEX THD FORM 1/4-20X.62	
33	56507906	1	TRIM-EDGE-.18X4.70	
34	56507905	2	TRIM-EDGE-.18X5.25	
35	56111968	1	TRIM-EDGE-.18X34.5	
36	56108282	2	BRACKET-HEADLIGHT	
37	56002937	2	SCR HEX HD LOC SS 5/16-18X .62	
38	56002938	4	WSH FLT SAE SS 5/16	



# CHASSIS SYSTEM 2

SC8000 1300 D NIL

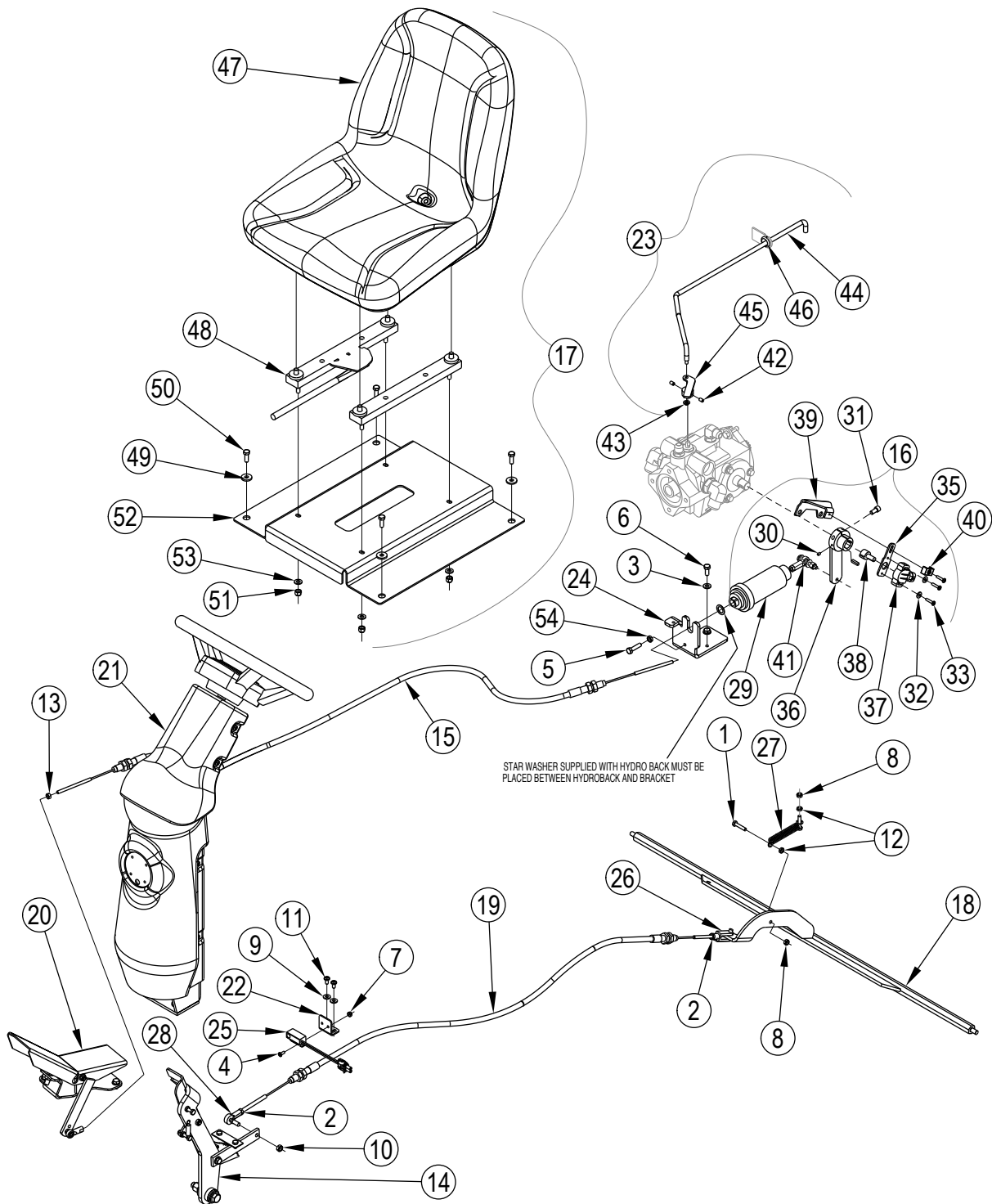
2019.07.18

2019.07.19

Pos.	Product no	QTY	Description	Notes
	56110442	1	COVER ASSEMBLY REAR	[1]
1	56462746	2	LATCH	
2	56001836	2	SCR HEX 1/4-20 X .62	
3	56001878	4	SCR HEX 1/4-20 X 1.25	
4	56001939	4	WSH FLT SAE 5/16	
5	56002022	4	WSH FLT SAE 5/8	
6	56002098	16	H FLT SAE 1/4	
7	56002108	4	SCR PAN PHIL 1/4-20 X 2.00	
8	56002708	10	NUT HEX NYL LOC 1/4-20	
9	56002788	2	SCR PAN PHIL 1/4-20 X 2.25	
10	56002929	11	SCR HEX LOC 5/16-18 X .62	
11	56009099	4	NUT HEX JAM 5/8-18	
12	56009122	7	WSH FLT .344X.938X.125	
13	56009153	8	SCR PAN PHIL LOC 10-24X.50	
14	56110357	2	HINGE WELDMENT	
15	56110363	1	HINGE WELDMENT-RT	
16	56110435	1	COVER REAR	
17	56111942	1	GRILLE-REAR	
18	56110495	1	HINGE WELDT-LT	
19	56110764	1	SUPPORT REAR COVER RIGHT	
20	56110765	1	SUPPORT REAR COVER LEFT	
21	56110766	2	PIN TAPERED	
22	56111943	1	BRACKET	
23	56110979	1	PLATE SEAL MOUNTING CENTER	
24	56110980	2	PLATE SEAL MOUNTING SIDE	
25	56110987	1	GASKET COVER CENTER	
26	56110988	2	GASKET COVER SIDE	
	56111128	1	COVER SUPPORT ASSY	[2]
27	56001939	2	WSH FLT SAE 5/16	
28	56001993	1	SCREW 10-24 X 0.5 ZINC PL	
29	56002063	6	WSH FLT SAE 3/8	
30	56002098	3	H FLT SAE 1/4	
31	56002663	6	SCR HEX 3/8-16 X 1.00	
32	56002701	2	NUT HEX NYL LOC 5/16-18	
33	56002708	3	NUT HEX NYL LOC 1/4-20	
34	56002786	2	SCR PAN PHIL 1/4-20 X 1.50	
35	56002794	2	SCR PAN PHIL 5/16-18 X 1.00	
36	56002825	1	SCR PAN PHIL 1/4-20 X 1.25	
37	56002832	1	NUT HEX NYL LOC-THIN 10-24	
38	56110065	1	COVER SUPPORT WELDT	
39	56110631	1	PLATE LATCH MOUNT	
40	56110638	1	HANDLE LATCH	
41	56304827	1	LATCH RH	
42	56321532	1	BUSHING .25X.37X.40HC42C	
43	56382992	1	CABLE ASSY-QUICK LINK-19.5 IN	
	56110900	1	HEAVY BUMPER ASSY	[3]
44	56001858	4	SCR HEX 3/8-16 X 1.25	
45	56001920	1	SCR HEX 1/2-13 X 2.25	
46	56002116	2	SCR HEX 1/2-13 X 3.25	
47	56002770	3	NUT HEX NYL LOC 1/2-13	
48	56003032	3	SCR HEX LOC 1/2-13 X .75	
49	56009195	4	WSH FLT .406X 1.250X .164	
50	56009216	3	WSH FLT .531 X 1.500 X .075	
51	56111941	1	HEAVY BUMPER WELDT	

**Part Notes:**

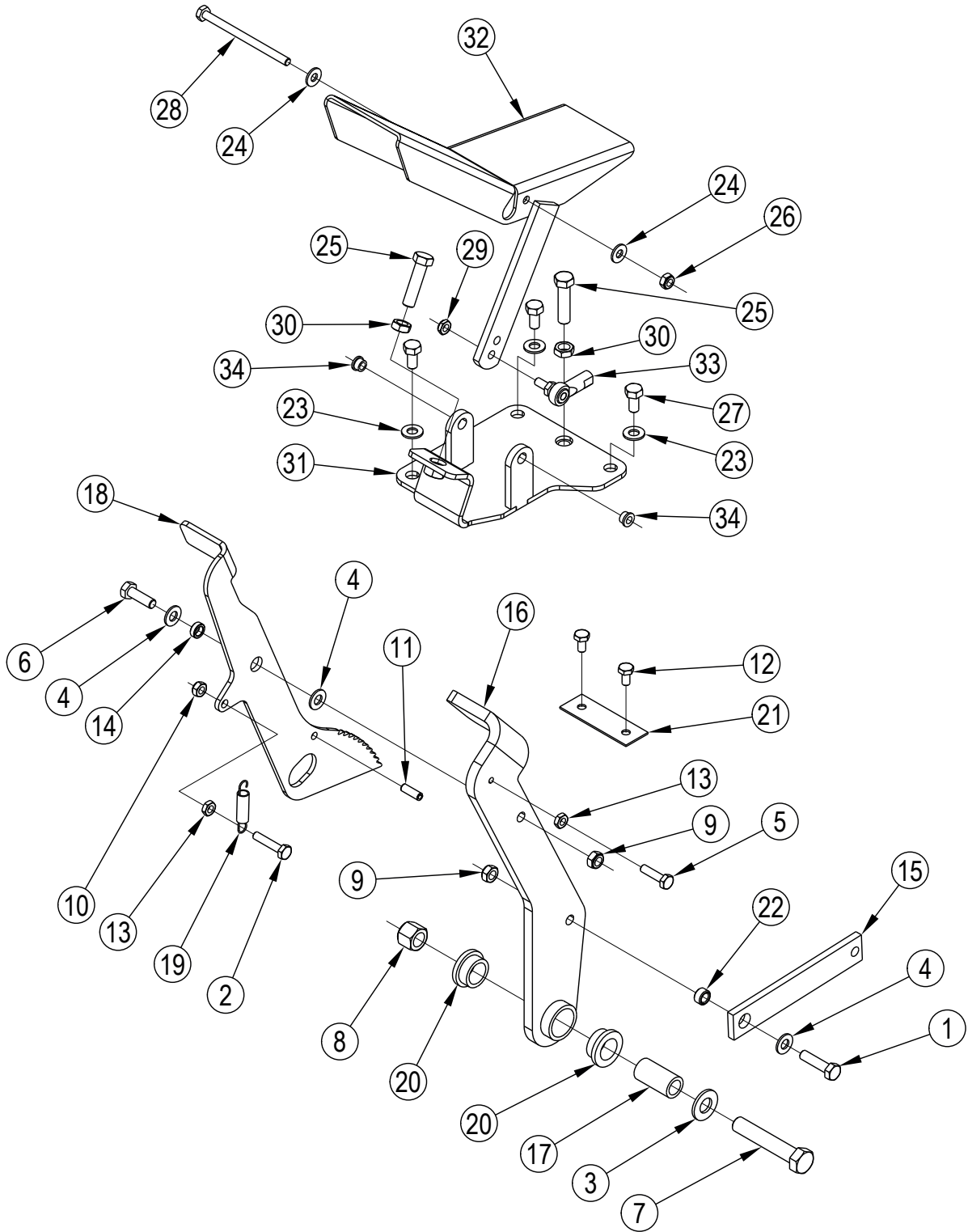
- [1] - (items 1-26)
- [2] - (items 27-43)
- [3] - (items 44-51)



Pos.	Product no	QTY	Description	Notes
1	56001878	2	SCR HEX 1/4-20 X 1.25	
2	56001884	2	NUT HEX JAM 5/16-24	
3	56001939	2	WSH FLT SAE 5/16	
4	56001993	1	SCREW 10-24 X 0.5 ZINC PL	
5	2-00-05344	1	SCREW-HX TAP BLT.313-18X1.75	
6	56002667	2	SCR HEX 5/16-18 X .75	
7	56002832	1	NUT HEX NYL LOC-THIN 10-24	
8	56002840	2	NUT HEX NYL LOC-THIN 1/4-20	
9	56002859	2	WSH FLT SAE SS 1/4	
10	56002866	1	NUT HEX NYL LOC-THIN 5/16-24	
11	56009062	2	SCR PAN PHIL THD FORM1/4-20X.5	
12	56009087	2	NUT HEX JAM 1/4-20	
13	56009142	1	NUT HEX MACHINE 1/4-28	
14	56110080	1	BRAKE PEDAL ASSY	[1]
15	56110146	1	CABLE PUSH/PULL CONTROL	
16	56110152	1	PINTLE ASSEMBLY	[2]
17	56110273	1	SEAT ASSEMBLY	[3]
18	56110381	1	BRAKE BAR WELDMENT	
19	56110384	1	CABLE ASSY	
20	56110446	1	FOOT PEDAL ASSEMBLY	[1]
21		1	Steering Assy	[4]
22	56110709	1	BRACKET SWITCH	
23	56110990	1	TOW LEVER ASSY	[5]
24	56111347	1	PLATE ADJUSTER	
25	56305053	1	SENSOR PROXIMITY	
26	56416089	1	CLEVIS ASSEMBLY	
27	56448112	1	SPRING EXTENSION	
28	56477756	1	ROD END	
			Pintle Assy	
29	56455799	1	HYDRO BACK	
30	56002015	1	SCR SOC SET LOC 10-24 X .25	
31	56003118	1	SCR SOC HD 5/16-18 X .62	
32	56001954	2	WSH FLT SAE 10	
33	56002996	3	SCR PAN PHIL 10-32 X .88	
35	56111896	1	PLATE-SENSOR	
36	56304355	1	LEVER WELDMENT	
37	56305129	1	ROTARY SENSOR	
38	56305184	1	ADAPTER SHAFT	
39	56305186	1	BRACKET	
40	56111895	1	GUIDE-ENCODER	
41	56383880	1	ROD END THROTTLE KIT	[6]
			Tow Lever Assy	
42	56002930	2	SCR SOC SET LOC 1/4-20 X .38	
43	56009132	1	NUT PUSH CAP 1/4	
44	56110989	1	ROD TOW LEVER	
45	56110992	1	COLLAR WELDT	
46	56157376	1	GROMMET 1 OD X 9/16 ID X 5/	
			Seat Assy	
47	56383291	1	SEAT-8 IN. MOUNT	
48	7-72-05005	1	SLIDE ADJUSTER KIT	
49	56009122	4	WSH FLT .344X.938X.125	
50	56002956	4	SCR HEX LOC 5/16-18 X .75	
51	56002701	4	NUT HEX NYL LOC 5/16-18	
52	56111949	1	PLATE-SEAT MOUNT	
53	56001939	1	WSH FLT SAE 5/16	
54	56009086	1	NUT HEX JAM 5/16-18	

## Part Notes:

- [1] - See CONTROL SYSTEM - BRAKE FOOT PEDAL ASSEMBLIES
- [2] - (items 29-41)
- [3] - (items 47-53)
- [4] - See CONTROL SYSTEM - STEERING ASSY
- [5] - (items 42-46)
- [6] - See TSB-FC-2014-007 Rider Scrubber and Sweepers Hydroback



# CONTROL SYSTEM - BRAKE & FOOT PEDAL ASSEMBLIES

SC8000 1300 D NIL

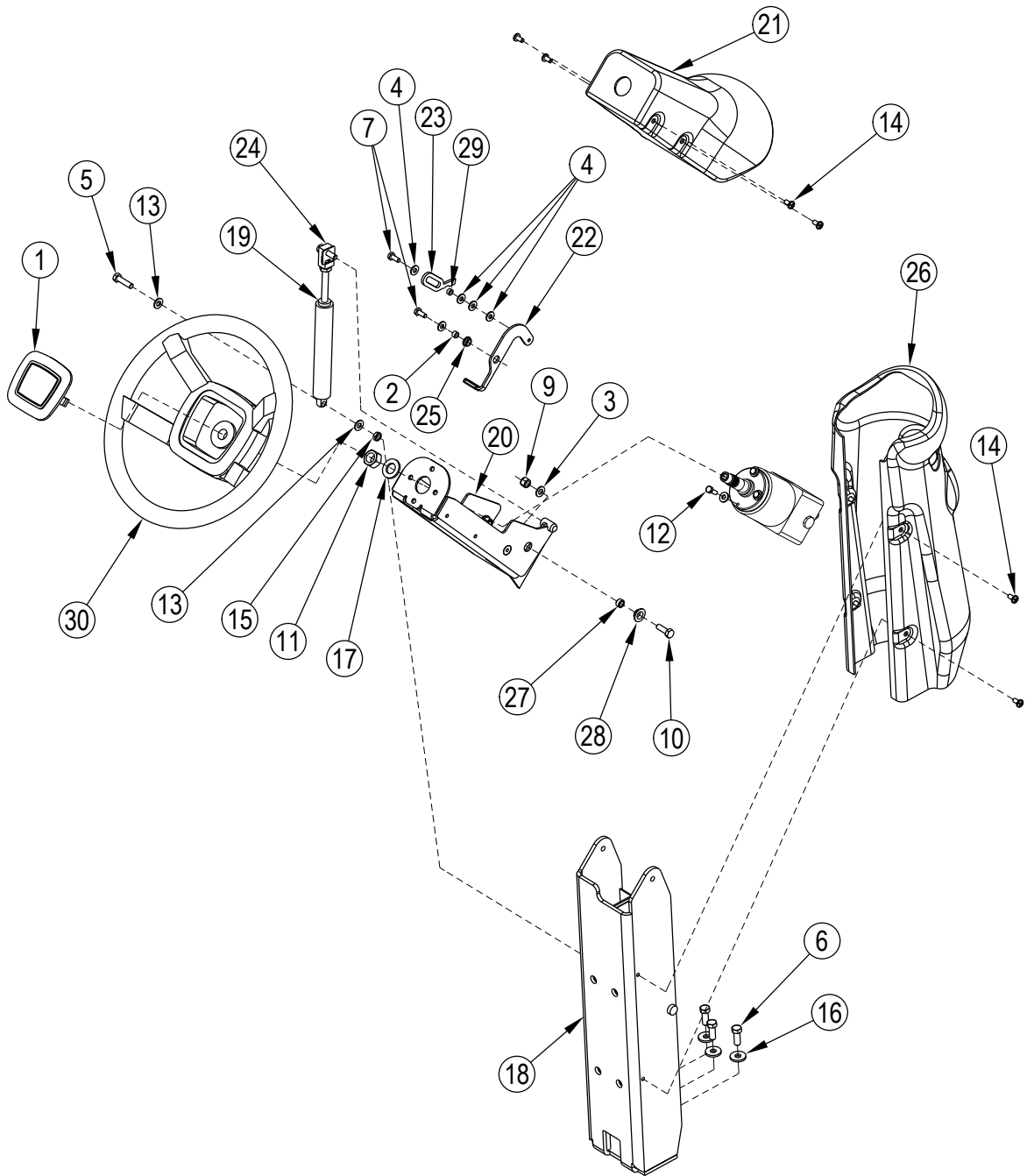
2017.11.02

2014.11.13

Pos.	Product no	QTY	Description	Notes
	56110080	1	BRAKE PEDAL ASSY	[1]
1	56001834	1	SCR HEX 5/16-18 X 1.25	
2	56001878	1	SCR HEX 1/4-20 X 1.25	
3	56001879	1	WSH FLT SAE 1/2	
4	56001939	3	WSH FLT SAE 5/16	
5	56002093	1	SCR HEX 1/4-20 X 1.00	
6	56002221	1	SCR HEX 5/16-18 X 1.00	
7	56002680	1	SCR HEX 1/2-13 X 2.75	
8	56002770	1	NUT HEX NYL LOC 1/2-13	
9	56002826	2	NUT HEX NYL LOC-THIN 5/16-18	
10	56002840	1	NUT HEX NYL LOC-THIN 1/4-20	
11	56003138	1	PIN SPR .25 X .75	
12	56009033	2	SCR HEX THD FORM 1/4-20X.50	
13	56009087	2	NUT HEX JAM 1/4-20	
14	56110432	1	BUSHING .323X.500X.180	
15	56110641	1	LINKAGE BRAKE	
16	56111946	1	BRAKE PEDAL WELDT	
17	56111100	1	BUSHING .520 X .750 X 1.470	
18	56111537	1	PEDAL PARKING BRAKE	
19	56245008	1	SPRING EXT .37X2.00FC436B	
20	56303024	2	BEARING FL 1.00X.750X.500	
21	56304543	1	CATCH BRAKE LOCK	
22	56320595	1	BUSHING .31X.50X.28HC18M	
	56110446	1	FOOT PEDAL ASSEMBLY	[2]
23	56001939	3	WSH FLT SAE 5/16	
24	56002098	2	H FLT SAE 1/4	
25	56002747	2	SCR HEX THD/HD 3/8-16 X 1.50	
26	56002840	1	NUT HEX NYL LOC-THIN 1/4-20	
27	56002956	3	SCR HEX LOC 5/16-18 X .75	
28	56002986	1	SCR HEX 1/4-20 X 3.75	
29	56003626	1	NUT HEX NYL LOC-THIN 1/4-28	
30	56009085	2	NUT HEX JAM 3/8-16	
31	56111947	1	PIVOT WELDT	
32	56111948	1	PEDAL WELDT	
33	56463720	1	ROD END	
34	56756318	2	BEARING FLANGE .250 E00201	

**Part Notes:**

- [1] - items 1-22
- [2] - items 23-34



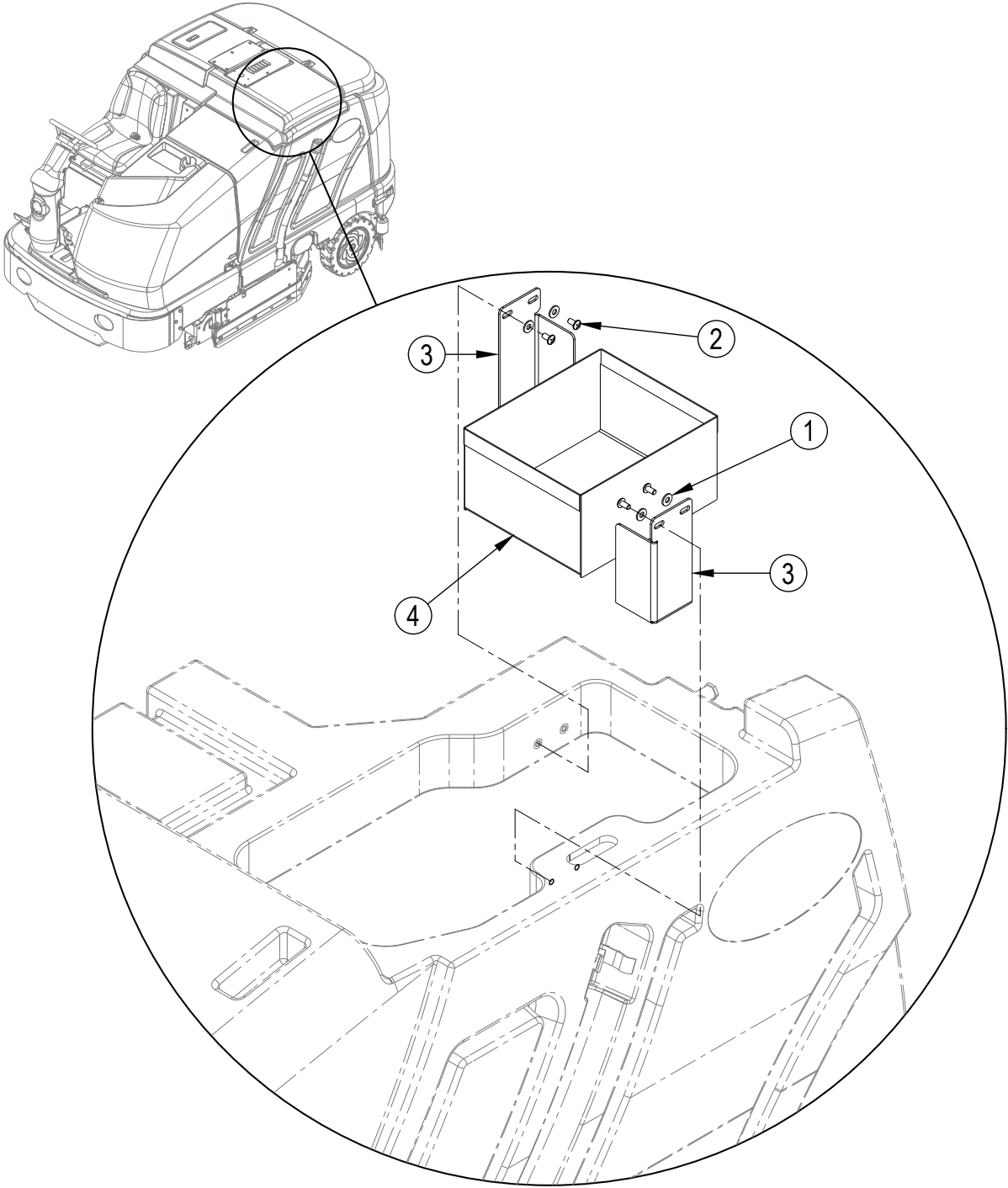
# CONTROL SYSTEM - STEERING ASSY

SC8000 1300 D NIL

2017.11.02

2017.09.05

Pos.	Product no	QTY	Description	Notes
1	7-16-07428	1	COVER-STEERING WHEEL	
2	56368997	1	BUSHING .25X.37X.21CV82H	
3	56001939	2	WSH FLT SAE 5/16	
4	56002098	9	H FLT SAE 1/4	
5	56002187	1	SCR HEX THD/HD 5/16-18 X 1.25	
6	56002663	3	SCR HEX 3/8-16 X 1.00	
7	56002922	2	SCR HEX LOC 1/4-20 X .62	
9	56003389	2	NUT HEX NYL-LOC M8X1.25	
10	56003436	2	SCR HEX SS M8-1.25X25MM	
11	56003440	1	HEX NUT M16 X 1.5	
12	56003441	4	SCR HEX LOC M6-1.00X16MM	
13	56009052	2	WSH INT SHPRF 5/16	
14	56009062	8	SCR PAN PHIL THD FORM1/4-20X.5	
15	56009086	1	NUT HEX JAM 5/16-18	
16	56009107	3	WSH FLT SS .378/.373X1.00X.075	
17	56009218	1	WASHER FLAT .688 X 1.25 X 0	
18	56110456	1	LOWER COLUMN WELDMENT	
19	56111354	1	GAS SPRING LOCKING	
20	56111520	1	UPPER COLUMN WELDMENT	
21	56314296	1	SHROUD UPPER COLUMN	
22	56111597	1	LEVER	
23	56111762	1	LEVER	
24	56111763	1	ROD END WELDMENT	
25	56304518	1	BEARING FLANGE	
26	56314295	1	SHROUD LOWER COLUMN	
27	56320595	2	BUSHING .31X.50X.28HC18M	
28	56413211	2	BEARING FLANGE .625X.500X.250	
29	56413888	1	BUSHING .265 X .375X .180	
30	56418460	1	STEERING WHEEL	



# DEBRIS TRAY KIT

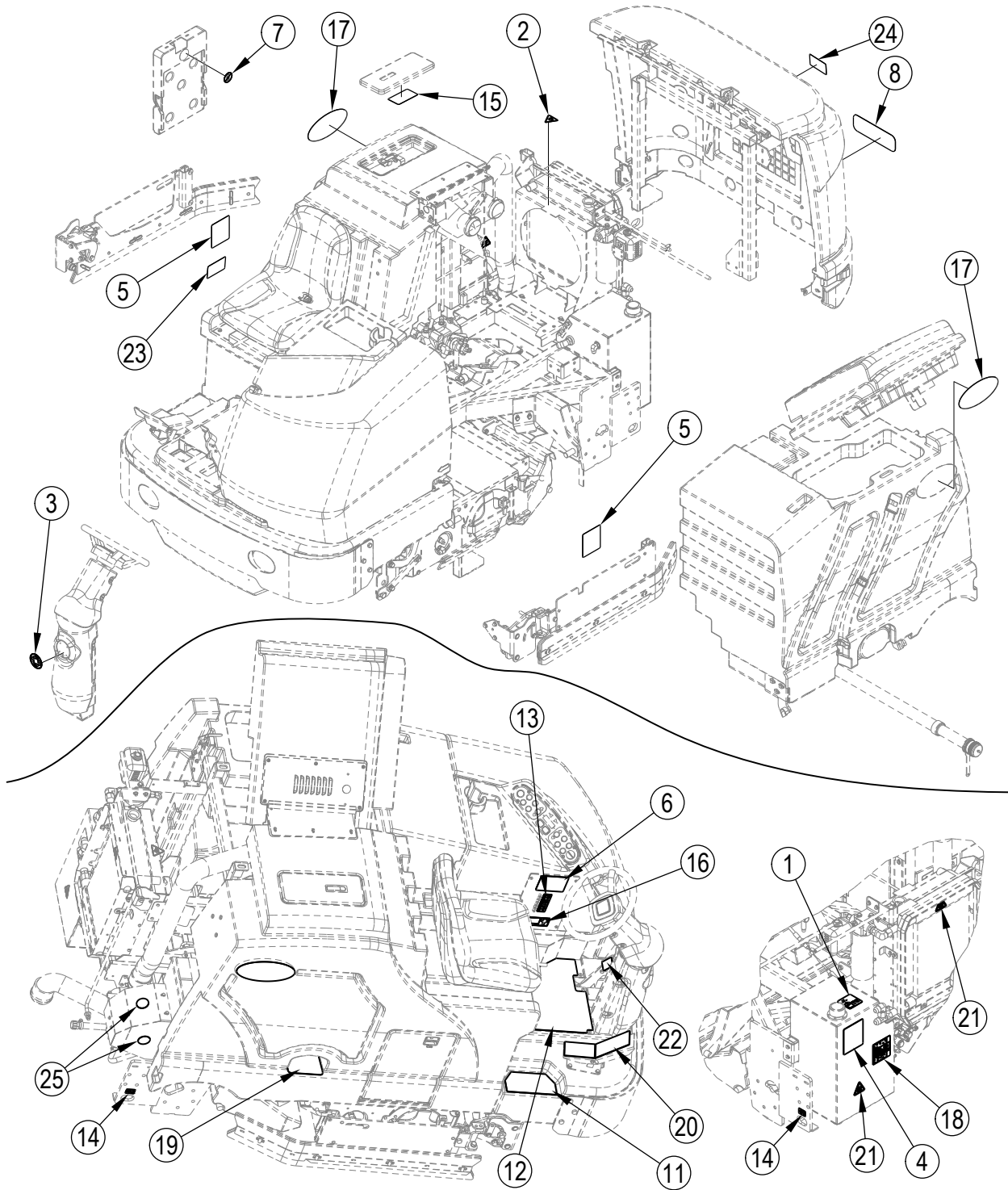
SC8000 1300 D NIL

2017.11.02

2015.07.31

---

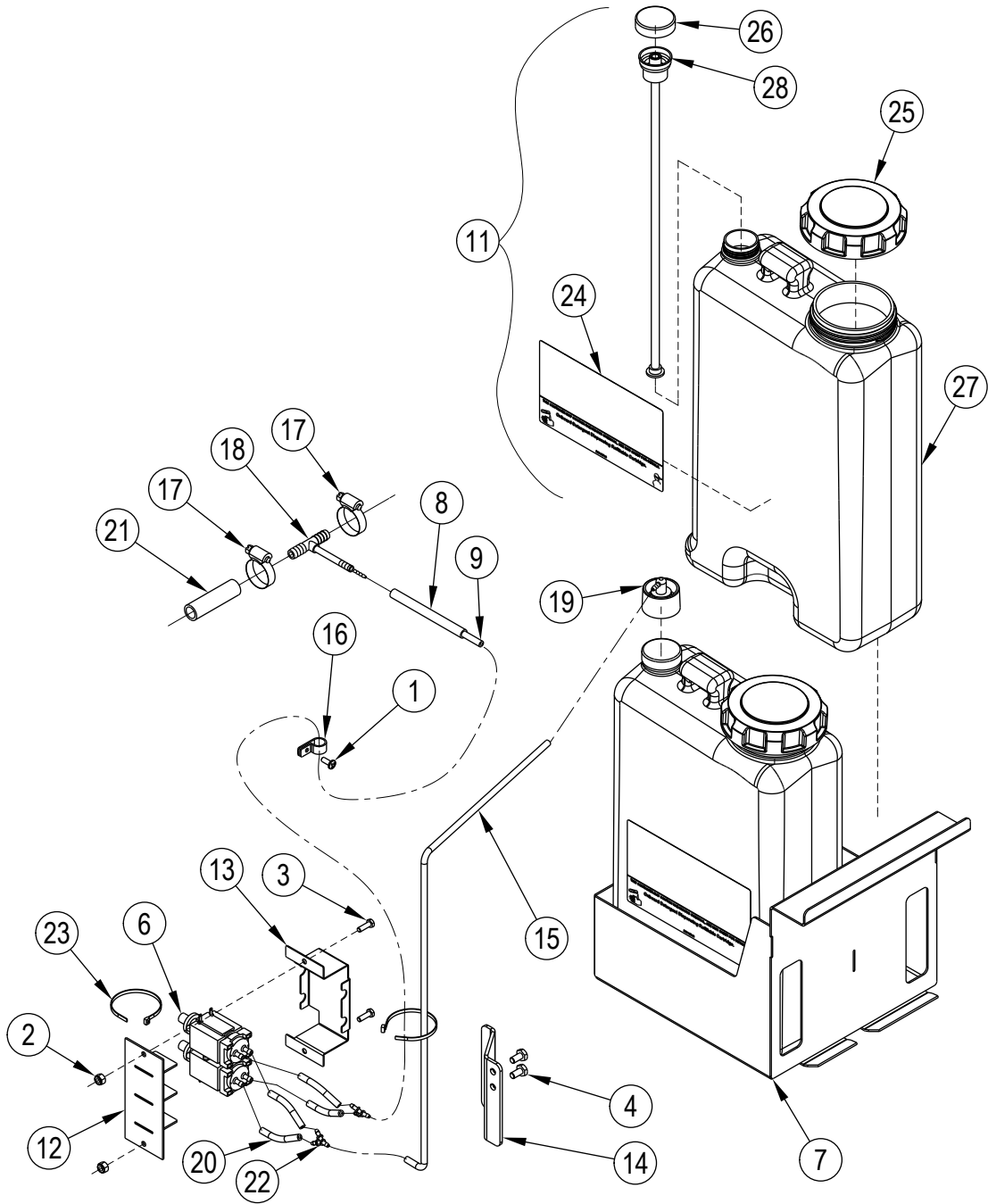
<b>Pos.</b>	<b>Product no</b>	<b>QTY</b>	<b>Description</b>	<b>Notes</b>
1	56002859	4	WSH FLT SAE SS 1/4	
2	56003119	4	SCR PAN PHIL SS 1/4-20 X .50	
3	56111601	2	MOUNT STRAINER	
4	56383770	1	STRAINER-DEBRIS	



Pos.	Product no	QTY	Description	Notes
1	56016259	1	DECAL OIL FILL	
2	56016364	1	DECAL WARNING FAN	
3	56016348	1	DECAL LOGO	
4	56015424	1	DECAL-WARNING HYDRAULIC	
5	56015425	2	DECAL WARNING BROOM	
6	56015427	1	DECAL WARNING TIP O	
7	56016163	1	DECAL NO STEP	
8	56016731	1	DECAL NILFISK	
11	56111251	1	MAT STEP	
12	56111252	1	MAT FLOOR	
13	56111807	1	DECAL CIRCUIT BREAKER	
14	56111392	2	DECAL TIE DOWN	
15	56111393	1	DECAL TANK FLUID	
16	56111394	1	DECAL EXHAUST	
17	56108172	2	DECAL-SC8000	
17	56108173	2	DECAL-SC8000 ECOFLEX	[1]
18	56111460	1	DECAL HYD VALVE	
19	56111482	1	MAT STEP	
20	56305606	1	MAT PEDAL	
21	56016363	2	DECAL WARNING HOT	
22	56111785	1	MAT PEDAL	
23	56015413	1	DECAL L.P.G.	
24	56107775	1	DECAL-KUBOTA	
25	56015470	1	DECAL NO PRESSURE W	[2]

## Part Notes:

- [1] - 56384395 model only  
 [2] - Closed SEE MI-SP-007



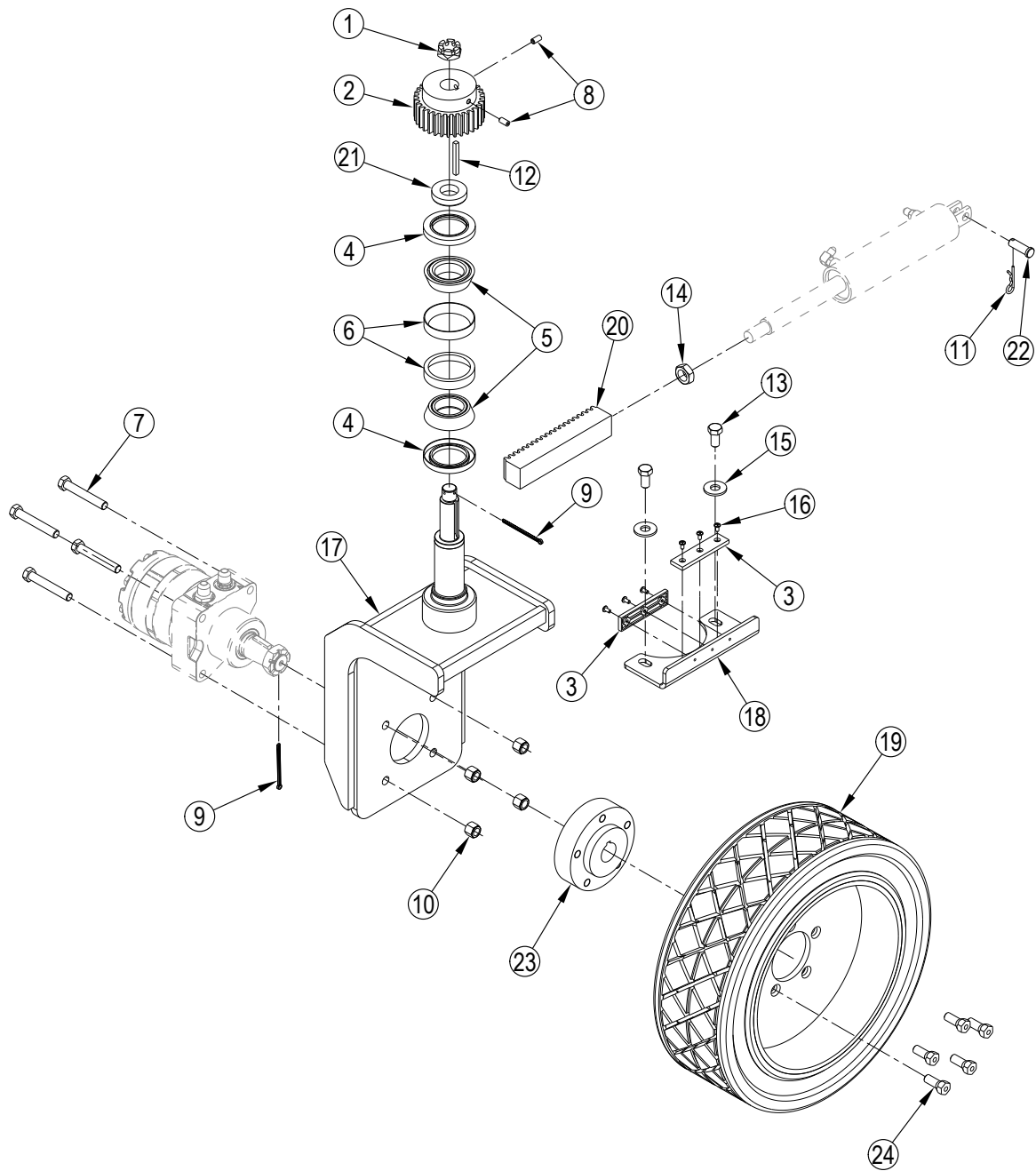
# DETERGENT INJECTION SYSTEM

SC8000 1300 D NIL

2017.11.02

2020.05.26

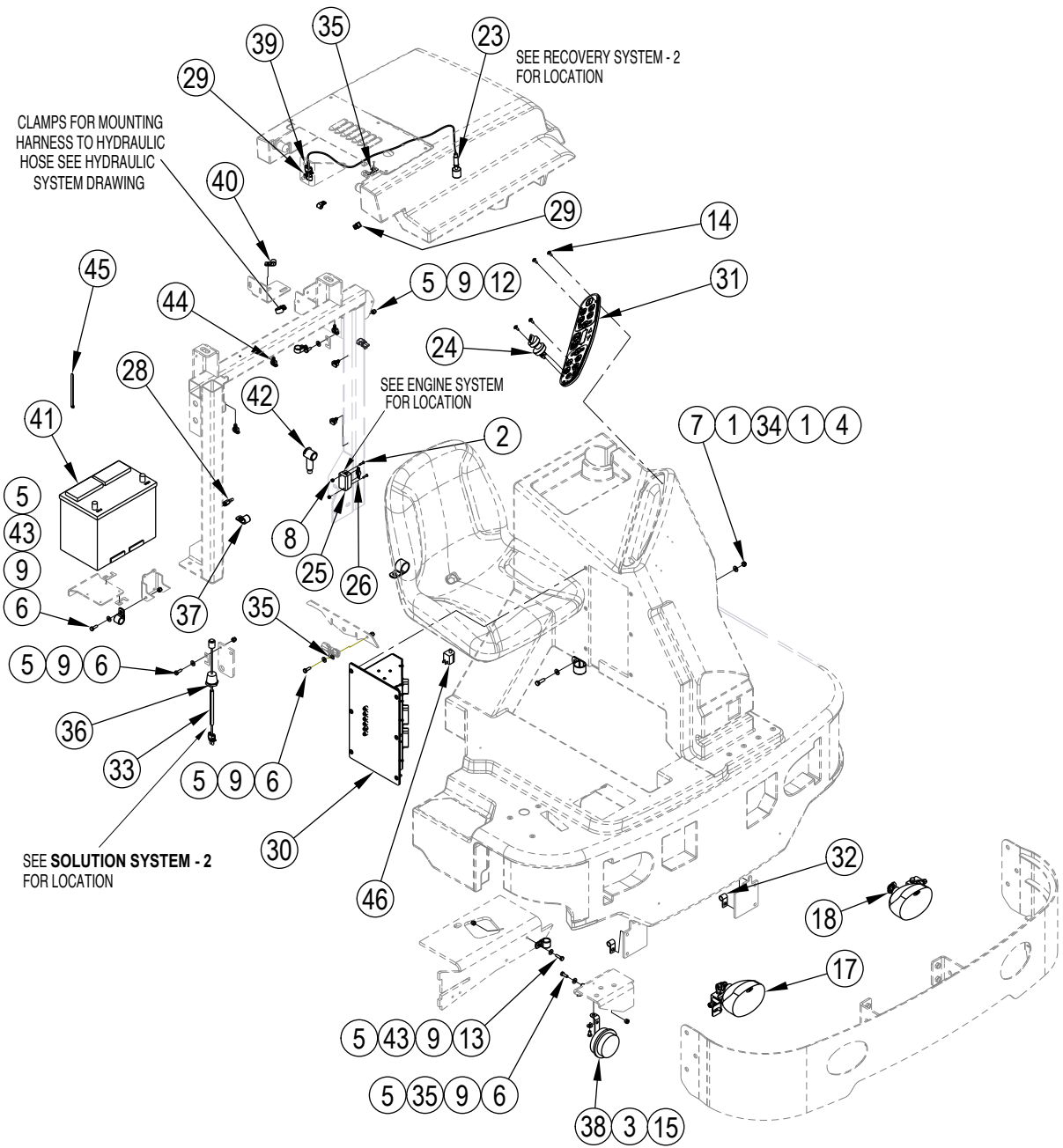
Pos.	Product no	QTY	Description	Notes
1	56001993	1	SCREW 10-24 X 0.5 ZINC PL	
2	56002836	2	NUT HEX NYL LOC SS 10-24	
3	56002894	2	SCR PAN PHIL SS 10-24 X .75	
4	56009033	2	SCR HEX THD FORM 1/4-20X.50	
6	56110742	2	PUMP DETERGENT 12V	
7	56110775	1	BOX WELDMENT CHEMICAL BOTTLE	
8	56111504	1	CONDUIT HOSE JACKET	
9	56111511	1	HOSE 1/8 ID X 32 LG	
11	56111855	2	CHEM BOTTLE ASSY -ECO FLEX	
12	56111866	1	PUMP BRACKET WELDT	
13	56111867	1	PLATE PUMP COVER	
14	56111868	1	PLATE DEFLECTOR	
15	56111870	1	HOSE-27.00 IN CHEM RESISTANT	
16	56172017	1	P-CLIP E00129	
17	56219932	2	CLAMP HOSE SAE 6 E00047	
18	56314983	1	TEE ASSEMBLY	
19	56315523	1	CAP DRY BREAK 1/8 BARB	
20	56316211	4	HOSE CHEM RESISTENT 2	
21	56392347	1	TUBE PVC .500X 2.50 E00199	
22	56413691	2	FITTING Y BARB	
23	56478246	2	CABLE TIE E00549 RE438BA	
24	56315513	1	DECAL BLANK	
25	9100001817	1	CAP PLASTIC F DETERGENT SOLU. TANK SIP	
26	56315690	1	CAP 38MM BUTTRESS	
27	56413092	1	CHEMICAL TANK	
28	56413784	1	INSERT DRY BREAK	



Pos.	Product no	QTY	Description	Notes
1	56110817	1	NUT CAS .875-14 THNE9A	
2	56418477	1	GEAR SPUR	
3	56418575	2	PLATE WEAR	
4	56477783	2	SEAL SHAFT RE416JC	
5	56744471	2	BEARING TR CN 1.7817020E00134	
6	56744474	2	BEARING TR CP 3.0627021E00135	
7	56002116	4	SCR HEX 1/2-13 X 3.25	
8	56002186	2	SCR SOC SET LOC 5/16-18 X .62	
9	56002574	2	PIN COT .156X3.	
10	56002770	4	NUT HEX NYL LOC 1/2-13	
11	56003222	1	PIN COT HAIR .125 X DIA.50/.75	
12	56003248	1	KEY SQ .25 X 2.31	
13	56003485	2	SCR HEX 1/2-20 X 1.00	
14	56009083	1	NUT HEX JAM 3/4-16	
15	56009115	2	WSH FLT HDN .594X1.375X.134	
16	56009139	6	SCR PAN PHIL LOC 10-24X.38	
17	56110153	1	DRIVE WHEEL WELDT	
18	56111386	1	PLATE ADJUSTER	
19	56111514	1	WHEEL P7 MOLD ON 18 X 6	
19	56111811	1	WHEEL URETHANE 18 X 6	[1]
20	56305041	1	RACK	
21	56419189	1	SPACER GEAR	
22	56486733	1	PIN-CLEVIS-.5X1.5	
23	56507462	1	HUB DRIVE WHEEL	
23		1	Hub, Drive Wheel	[2]
23	56108224	1	MOTOR KIT-HYD-TRACTION DRIVE	
24	8-80-05035	5	STUD-DRIVE WHEEL HUB	[3]

Part Notes:

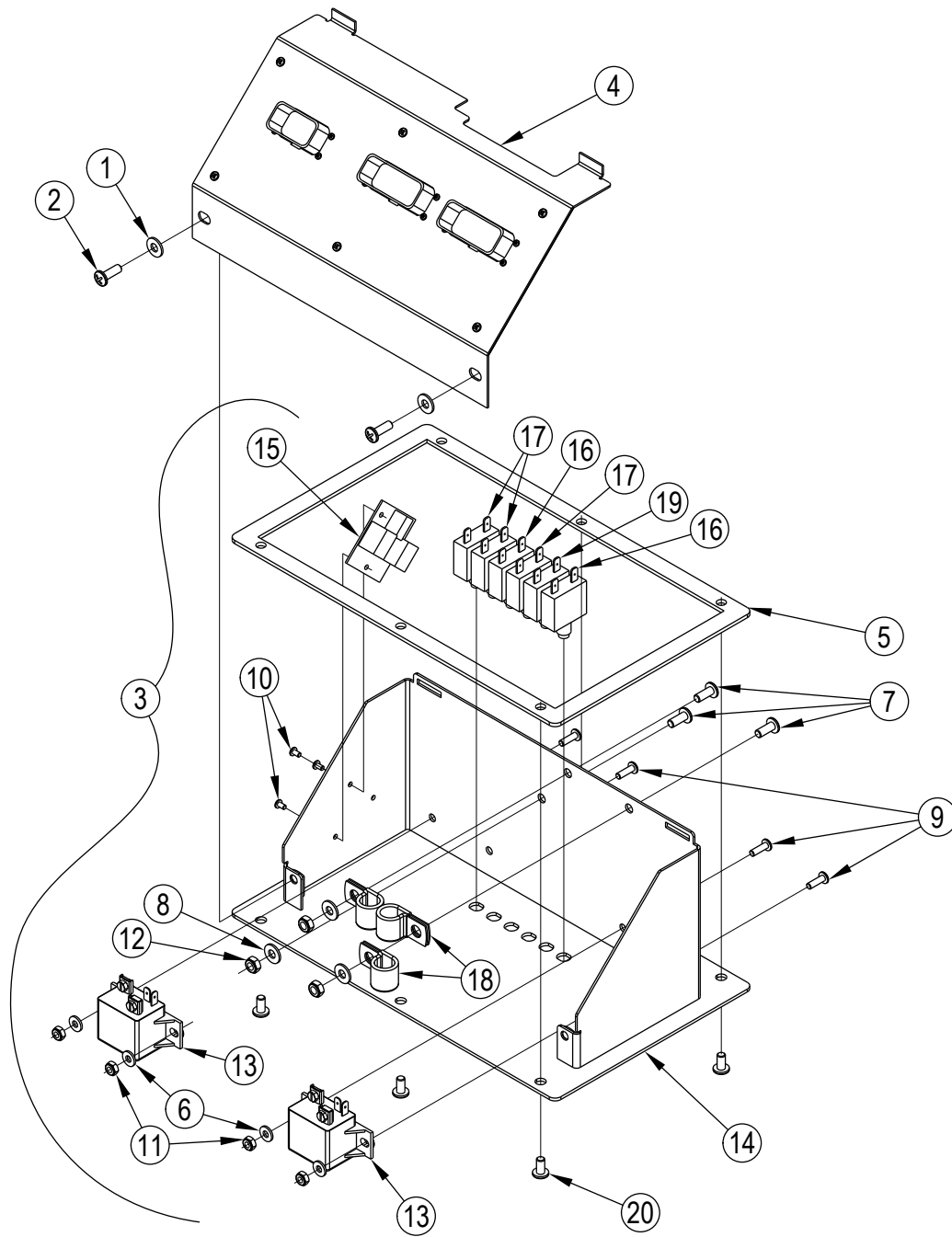
- [1] - Optional, Not Included
- [2] - Only included in optional Hyd-Traction Drive Motor Kit 56108224.
- [3] - EXPIRED USE 56385067



Pos.	Product no	QTY	Description	Notes
1	56001939	2	WSH FLT SAE 5/16	
2	56002005	2	SCR PAN PHIL 6-32 X .62	
3	56002098	1	H FLT SAE 1/4	
4	56002221	1	SCR HEX 5/16-18 X 1.00	
5	56002491	6	NUT HEX NYL LOC SS 1/4-20	
6	56002807	4	SCR HEX SS 1/4-20 X .75	
7	56002826	1	NUT HEX NYL LOC-THIN 5/16-18	
8	56002830	2	NUT HEX NYL LOC 6-32	
9	56002859	6	WSH FLT SAE SS 1/4	
12	56003047	1	SCR HEX SS 1/4-20 X .62	
13	56003844	1	SCR-HEX SS 1/4-20 X .88	
14	56003902	4	SCR-TRUSS PHIL SS BLK10-24X.50	
15	56009033	1	SCR HEX THD FORM 1/4-20X.50	
17	56110436	1	HEAD LIGHT ASSY LH	
	56507224	1	BULB 12V 50W	
18	56110437	1	HEAD LIGHT ASSY RH	
	56507224	1	BULB 12V 50W	
	56110544	1	HARNES BATTERY CABLE	
	56110551	1	CABLE ASM BLK 6-2	
	56110552	1	CABLE ASM RED 6-2	
	56110553	1	CABLE ASM RED 6-3	
23	56110561	1	SWITCH LIQUID LEVEL	
24	56111109	1	KEY SWITCH ASSEMBLY	
	56303526	1	KEY REPLACEMENT SET OF 2	[1]
25	56111114	1	FUSEHOLDER MIDI	
26	56111123	1	FUSE 100A	
	56111806	1	HARNES-MAIN	
	56110549	1	HARNES GLOW PLUG	
28	56305873	1	SENDER TEMPERATURE	
29	56323260	3	CLAMP CABLE	
30	56381122	1	CONTROL BOARD BOX ASSY	
	56381109	1	DIESEL CONTROL BOARD BOX ASSY	[2]
31	56381129	1	DASHBOARD PANEL ASSEMBLY	
32	56385491	2	CLAMP-P-.50 DIA G S	
33	56394021	1	CONDUIT BLK .25 56E00466	
34	56409463	2	CLAMP 1.25 HOSE SUPPORT	
35	56409769	3	CLIP WEATHER PACK	
36	56413669	1	SWITCH LIQUID LEVEL	
37	56419120	1	CLAMP HOSE SUPPORT 56E00616	
38	56442054	1	HORN - 12 VDC	
39	56462361	1	CONN.WR.PK.2 WAY FE	
40	56486112	1	CLAMP P	
41	56491902	1	BATTERY 12V 55AH WET	[3]
42	56493357	1	INSULATOR TERMINAL	
43	56496276	2	CLAMP HOSE SUPPORT	
44	56507793	5	CLIP CONDUIT	
45	2-00-04345	30	15.35 IN CABLE TIE BLK NYLON	
46	7-82-00050	1	SWITCH SEAT	

## Part Notes:

- [1] - for 56303553  
 [2] - (Diesel only) (items 1-5)  
 [3] - NOT FOR EU



# ELECTRICAL SYSTEM - CONTROL BOARD ASSY

SC8000 1300 D NIL

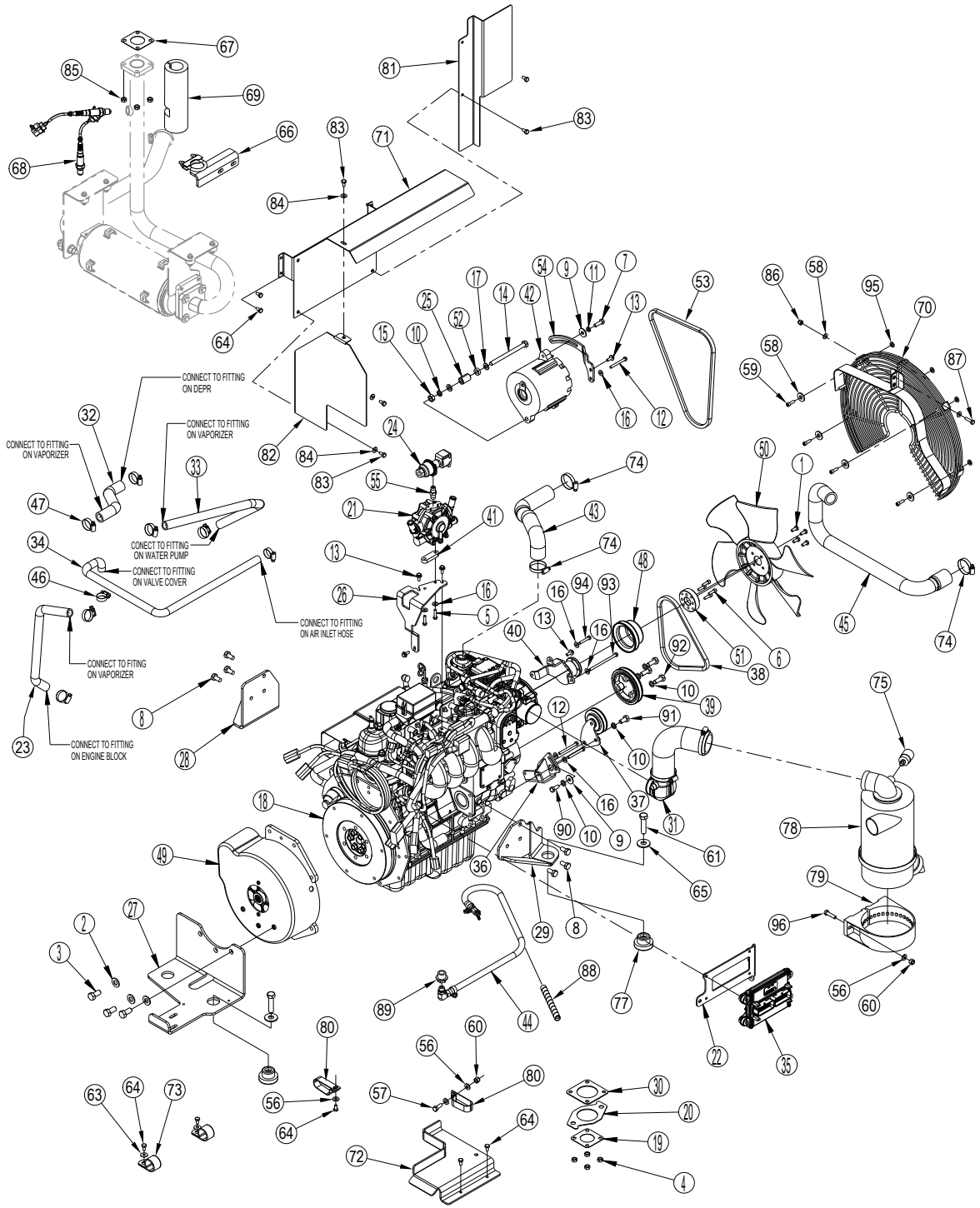
2017.11.02

2019.07.19

Pos.	Product no	QTY	Description	Notes
	56381122	1	CONTROL BOARD BOX ASSY	[1]
	56381109	1	DIESEL CONTROL BOARD BOX ASSY	[2]
1	56002098	2	H FLT SAE 1/4	
2	56002507	2	SCR PAN PHIL 1/4-20 X .75	
3	56110517	1	CONTROL BOARD RELAY ASSY	[3]
3	56111162	1	DIESEL CONTROL BOARD RELAY ASM	[4]
4	56381126	1	CONTROL ASSEMBLY-MAIN	
5	56110523	1	GASKET CONTROL BOX	
6	56001954	2	WSH FLT SAE 10	
7	56002066	3	SCR PAN PHIL 1/4-20 X .62	
8	56002098	3	H FLT SAE 1/4	
9	56002124	2	SCREW10-24 X .62 PNH PH	
10	56002811	3	SCR PAN PHIL 6-32 X .25	
11	56002832	2	NUT HEX NYL LOC-THIN 10-24	
12	56002840	3	NUT HEX NYL LOC-THIN 1/4-20	
13	56110423	1	RELAY SPST 12V 75A	
14	56111955	1	CONTROL BOARD WELDT	
15	56110530	1	RELAY PCB ASSY	
16	56413407	2	CIRCUIT BREAKER 15 AMP	
17	56413822	3	CIRCUIT BREAKER 20 AMP	
18	56419120	3	CLAMP HOSE SUPPORT 56E00616	
19	56507644	1	CIRCUIT BREAKER 10 AMP	
20	56009062	6	SCR PAN PHIL THD FORM1/4-20X.5	

**Part Notes:**

- [1] - (LPG only) (items 1-5)
- [2] - (Diesel only) (items 1-5)
- [3] - (LPG only) (items 6-19)
- [4] - (Diesel only) (items 6-19)



# ENGINE ASSY - LPG

SC8000 1300 D NIL

2019.07.18

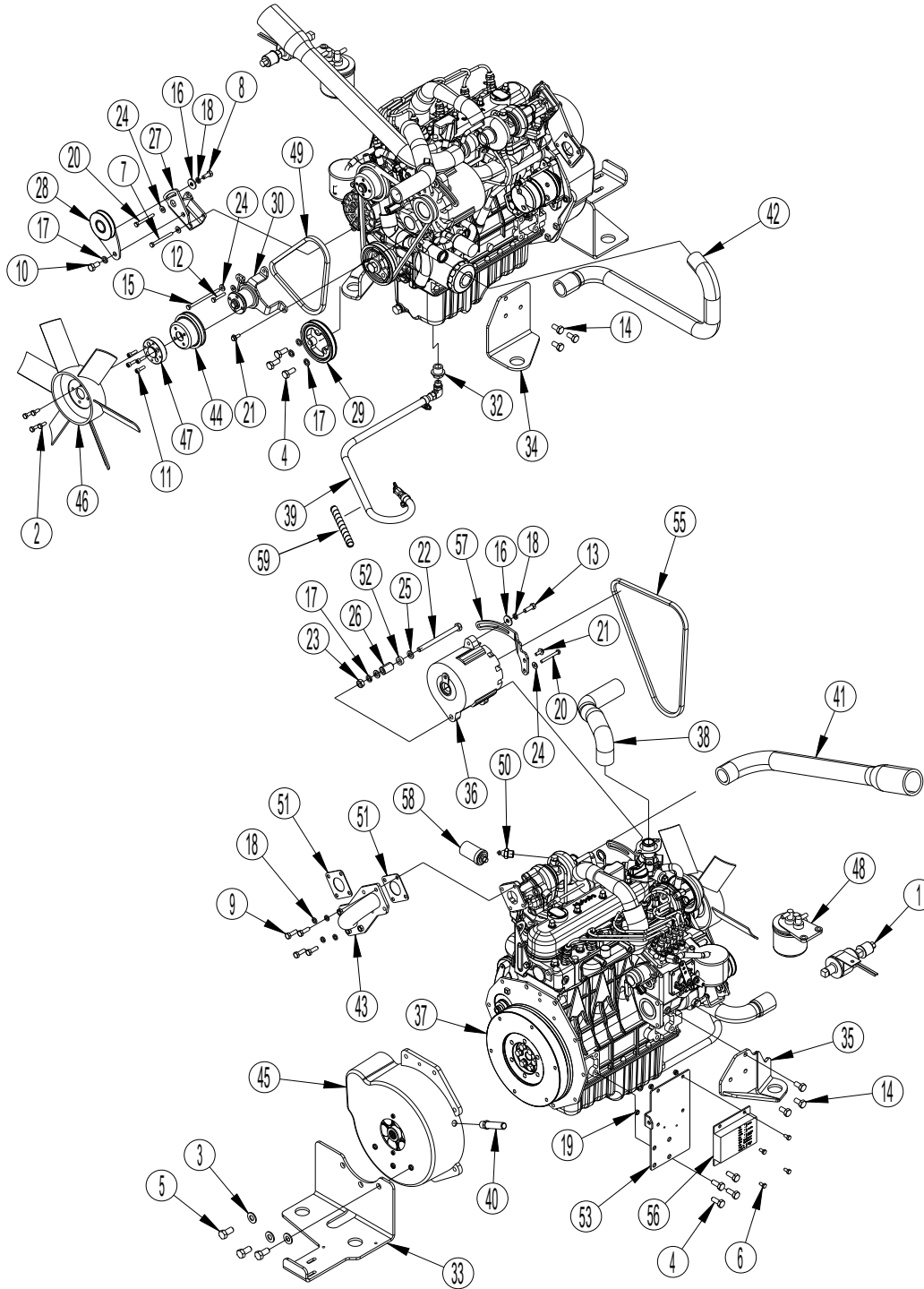
2019.07.19

Pos.	Product no	QTY	Description	Notes
0	56108180	1	LPG ENGINE ASSY	
1	56001836	4	SCR HEX 1/4-20 X .62	
2	56001879	3	WSH FLT SAE 1/2	
3	56003083	3	SCR HEX LOC 1/2-13 X 1.00	
4	56003352	4	NUT HEX M8	
5	56003358	2	SCR HEX M6 X 25.0	
6	56003368	4	SCR SOC HD M6 X 20.0	
7	56003436	1	SCR HEX SS M8-1.25X25MM	
8	56003442	6	SCR HEX LOC M10-1.50X20MM	
9	56003646	2	WSH FLT SS M8	
10	56003684	6	WSH NORD-LOCK M10	
11	56003685	1	WASHER NORD-LOC M8	
12	56003764	2	SCR HEX M6-1 X 55MM	
13	56003943	5	SCR-HEX FLANGE SS M6-1 X 16MM	
14	56003944	1	SCR-HEX M10-1.25 X 130MM	
15	56003945	1	NUT-HEX M10-1.25	
16	56009064	7	WSH INT SHPRF 1/4	
17	56009214	2	WSH FLT .406X.750X.090	
18	56107540	1		
19	56107590	1	GASKET MANIFOLD	
20	56107592	1	GASKET CAT OUTLET	
21	56107646	1	VAPORIZER	[1]
22	56107648	1	ECU-MOUNT PLATE	
23	56107650	1	HOSE-COOLANT-VAPORIZER SUPPLY	
24	56107652	1	FUEL-SOLENOID	
25	56107747	1	SPACER	
26	56108163	1	BRACKET-VAPORIZER	
27	56108167	1	MOUNT REAR ENGINE	
28	56108168	1	MOUNT ENGINE RIGHT	
29	56108169	1	MOUNT ENGINE LEFT	
30	56108174	1	GASKET-CAT INLET	
31	56108175	1	HOSE-INTAKE ASSY	
32	56108188	1	LPG HOSE-VAPORIZER	
33	56108189	1	HOSE-COOLANT-VAPORIZER RETURN	
34	56108191	1	CRANKCASE HOSE	
35	56108192	1	ECU	
36	56108197	1	BRACKET OFFSET	
37	56108198	1	PULLEY IDLER	
38	56419087	1	FAN BELT	
39	56108200	1	PULLEY CRANK	
40	56108201	1	BRACKET FAN OFFSET	
41	56108202	1	SPACER-VAPORIZER	
42	56110738	1	ALTERNATOR 105 AMP	
43	56111301	1	HOSE RADIATOR	
44	56111312	1	OIL DRAIN ASSY	
45	56111623	1	HOSE LOWER RADIATOR	
46	56112771	2	CLAMP HOSE SAE 10 E00047	
47	56244969	6	CLAMP HOSE SAE 12 E00047	
48	56307249	1	PULLEY FAN 89MM	
49	56380142	1	PUMP HOUSING ASSY	
50	56418718	1	FAN COOLING	
51	56418928	1	FAN SPACER	
52	56507795	1	SPACER COIL BRACKET	
53	56508393	1	BELT VEE	
54	56508429	1	BRACKET ALTERNATOR	
55	2-00-05674	1	FTG-1/4NPT NIPPLE BRASS	
56	56001939	6	WSH FLT SAE 5/16	
57	56002037	1	SCR HEX 5/16-18 X .88	
58	56002098	2	H FLT SAE 1/4	

Pos.	Product no	QTY	Description	Notes
59	56002149	4	Screw soc hd 25.2x.75(s/s)	[2]
60	56002701	3	NUT HEX NYL LOC 5/16-18	
61	56002983	4	SCR HEX 1/2-13 X 2.00	
62			Intentionally Omitted	
63	56009025	2	WSH FLT .266X.750X.036	
64	56009033	9	SCR HEX THD FORM 1/4-20X.50	
65	56009115	4	WSH FLT HDN .594X1.375X.134	
66	56107568	1	CLAMP BRACKET WELDMENT	
67	56107590	1	GASKET MANIFOLD	
68	56107613	2	SENSOR OXYGEN	
69	56108184	1	BLANKET EXHAUST	
70	56108187	1	GUARD FAN	
71	56108206	1	SHIELD-HEAT	
72	56111476	1	PLATE GUARD	
73	56409463	2	CLAMP 1.25 HOSE SUPPORT	
74	56413839	4	CLAMP HOSE WORM DRIVE	
75	56478461	1	SERVICE INDICATOR RE442DA	
77	56478685	4	MOUNT-RUBBER-ENGINE	
78	56482478	1	CLEANER AIR	
	56482028	1	FILTER SAFETY	
	56482029	1	FILTER PRIMARY	
79	56482621	1	BAND ASSY	
80	2-00-05253	2	CLAMP	
81	56108208	1	SHIELD-HEAT RR	
82	56108207	1	SHIELD-HEAT FR	
83	56002801	5	SCR HEX SS 1/4-20 X .50	
84	56002859	3	WSH FLT SAE SS 1/4	
85	56003352	4	NUT HEX M8	
86	56002708	1	NUT HEX NYL LOC 1/4-20	
87	56002093	1	SCR HEX 1/4-20 X 1.00	
88	56508975	1	WRAP-SPIRAL-5/8IN DIA X 6IN	
89	56108218	1	FITTING-OIL PAN	
90	56003179	1	SCR HEX THD/HD M8-1.25X20MM	
91	56003185	1	SCR HEX THD/HD M10-1.25X20MM	
92	56003019	3	SCR HEX M10-1.25 X 25 MM	
93	56003492	1	SCR HEX M6-1.0 X 100MM	
94	56003420	1	SCR HEX M6-1.0 X 35MM	
95	56004002	4		
96	56001834	1	SCR HEX 5/16-18 X 1.25	

## Part Notes:

- [1] - TSB-FC-2015-041 SW8000\_SC8000 LP Vaporizer Weeping  
 [2] - GUARANTEE DATE EXPIRED



# ENGINE ASSY - DIESEL

SC8000 1300 D NIL

2019.07.18

2020.01.14

Pos.	Product no	QTY	Description	Notes
0	56111255	1	DIESEL ENGINE ASSY	
1	56508355	1	FUEL PUMP ELECTRONIC	[1]
2	56001836	4	SCR HEX 1/4-20 X .62	
3	56001879	3	WSH FLT SAE 1/2	
4	56003019	7	SCR HEX M10-1.25 X 25 MM	
5	56003083	3	SCR HEX LOC 1/2-13 X 1.00	
6	56003155	4	SCR HEX M6-1.0 X 12MM	
7	56003487	1	SCR HX SS M6-1.00 X 65MM	
8	56003179	1	SCR HEX THD/HD M8-1.25X20MM	
9	56003180	4	SCR HEX THD/HD M8-1.25X25MM	
10	56003185	1	SCR HEX THD/HD M10-1.25X20MM	
11	56003368	4	SCR SOC HD M6 X 20.0	
12	56003420	1	SCR HEX M6-1.0 X 35MM	
13	56003436	1	SCR HEX SS M8-1.25X25MM	
14	56003442	6	SCR HEX LOC M10-1.50X20MM	
15	56003492	1	SCR HEX M6-1.0 X 100MM	
16	56003646	2	WSH FLT SS M8	
17	56003684	5	WSH NORD-LOCK M10	
18	56003685	6	WASHER NORD-LOC M8	
19	56003744	4	NUT SELF CLINCHING M6 X 1.0	
20	56003764	2	SCR HEX M6-1 X 55MM	
21	56003943	2	SCR-HEX FLANGE SS M6-1 X 16MM	
22	56003944	1	SCR-HEX M10-1.25 X 130MM	
23	56003945	1	NUT-HEX M10-1.25	
24	56009064	5	WSH INT SHPRF 1/4	
25	56009214	2	WSH FLT .406X.750X.090	
26	56107747	1	SPACER	
27	56108197	1	BRACKET OFFSET	
28	56108198	1	PULLEY IDLER	
29	56108200	1	PULLEY CRANK	
30	56108201	1	BRACKET FAN OFFSET	
31	56108214	1	OPERATOR MANUAL	
32	56108218	1	FITTING-OIL PAN	
33		1	Mount, Rear Engine	
34		1	Mount, Engine Right	
35		1	Mount, Engine Left	
36	56110738	1	ALTERNATOR 105 AMP	
37		1	Engine, Diesel	
38	56111301	1	HOSE RADIATOR	
39	56111312	1	OIL DRAIN ASSY	
40	56111319	1	SPEED SENSOR	
41	56111622	1	HOSE AIR CLEANER	
42	56111623	1	HOSE LOWER RADIATOR	
43	56305955	1	EXHAUST ADAPTER WELDMENT	[2]
44	56307249	1	PULLEY FAN 89MM	
45	56380142	1	PUMP HOUSING ASSY	
46	56418718	1	FAN COOLING	
47	56418928	1	FAN SPACER	
48	56419054	1	FUEL FILTER KIT	
49	56419087	1	FAN BELT	
50	56419091	1	SWITCH TEMPERATURE	
51	56419107	2	EXHAUST GASKET	[1]
52	56507795	1	SPACER COIL BRACKET	
53	56507991	1	BRACKET FUEL PUMP	
54	56508004	1	HARNES KUBOTA DIESEL	
55	56508393	1	BELT VEE	
56	56508400	1	CONTROLLER-THROTTLE	
57	56508429	1	BRACKET ALTERNATOR	
58	56508444	1	SWITCH PRESSURE	

# ENGINE ASSY - DIESEL

SC8000 1300 D NIL

2019.07.18

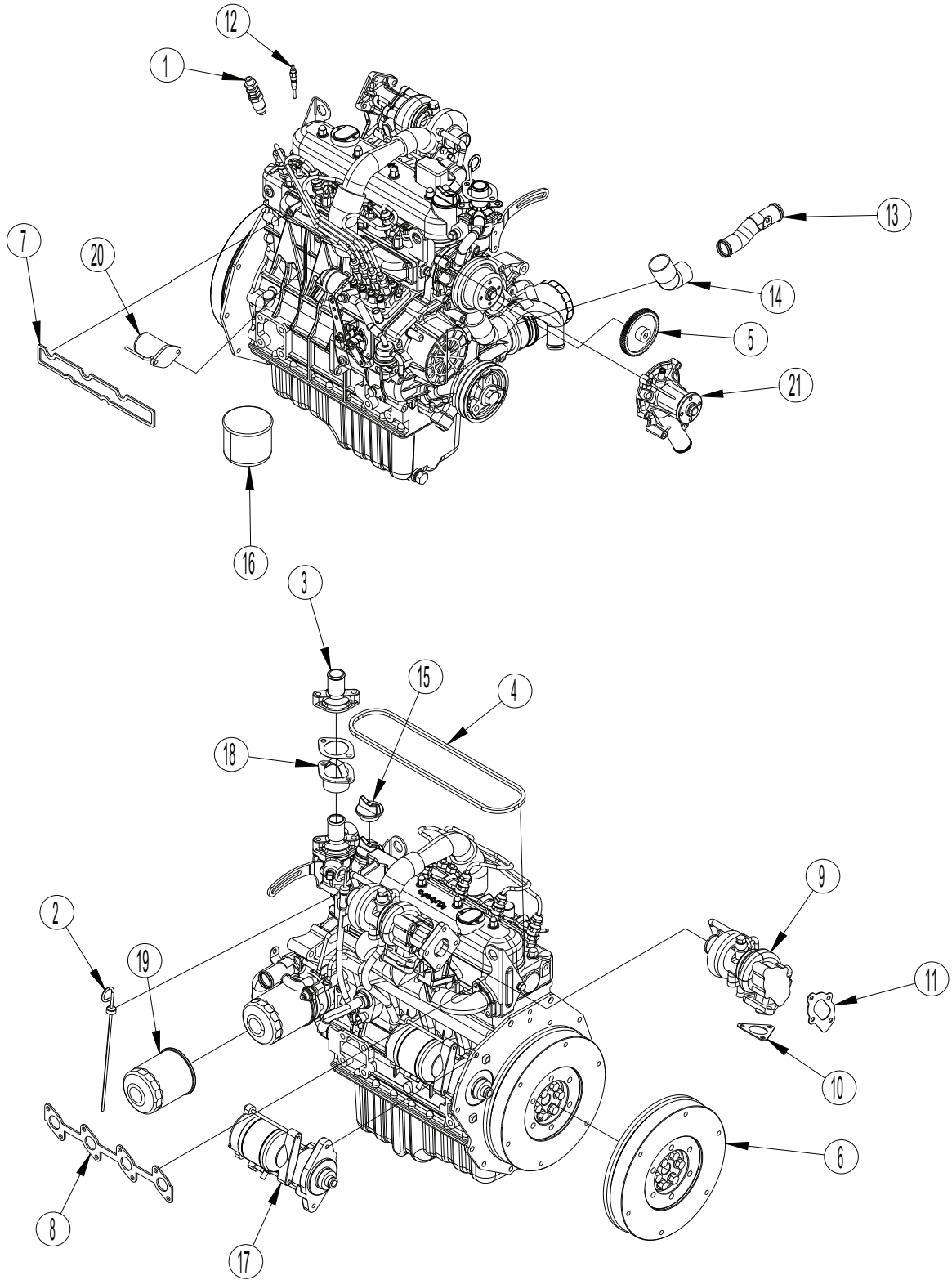
2020.01.14

---

Pos.	Product no	QTY	Description	Notes
59	56508975	1	WRAP-SPIRAL-5/8IN DIA X 6IN	
	56108214	1	OPERATOR MANUAL	
	56508004	1	HARNES KUBOTA DIESEL	

## Part Notes:

- [1] - Shipped with the engine.
- [2] - EXPIRED NO REPLACEMENT



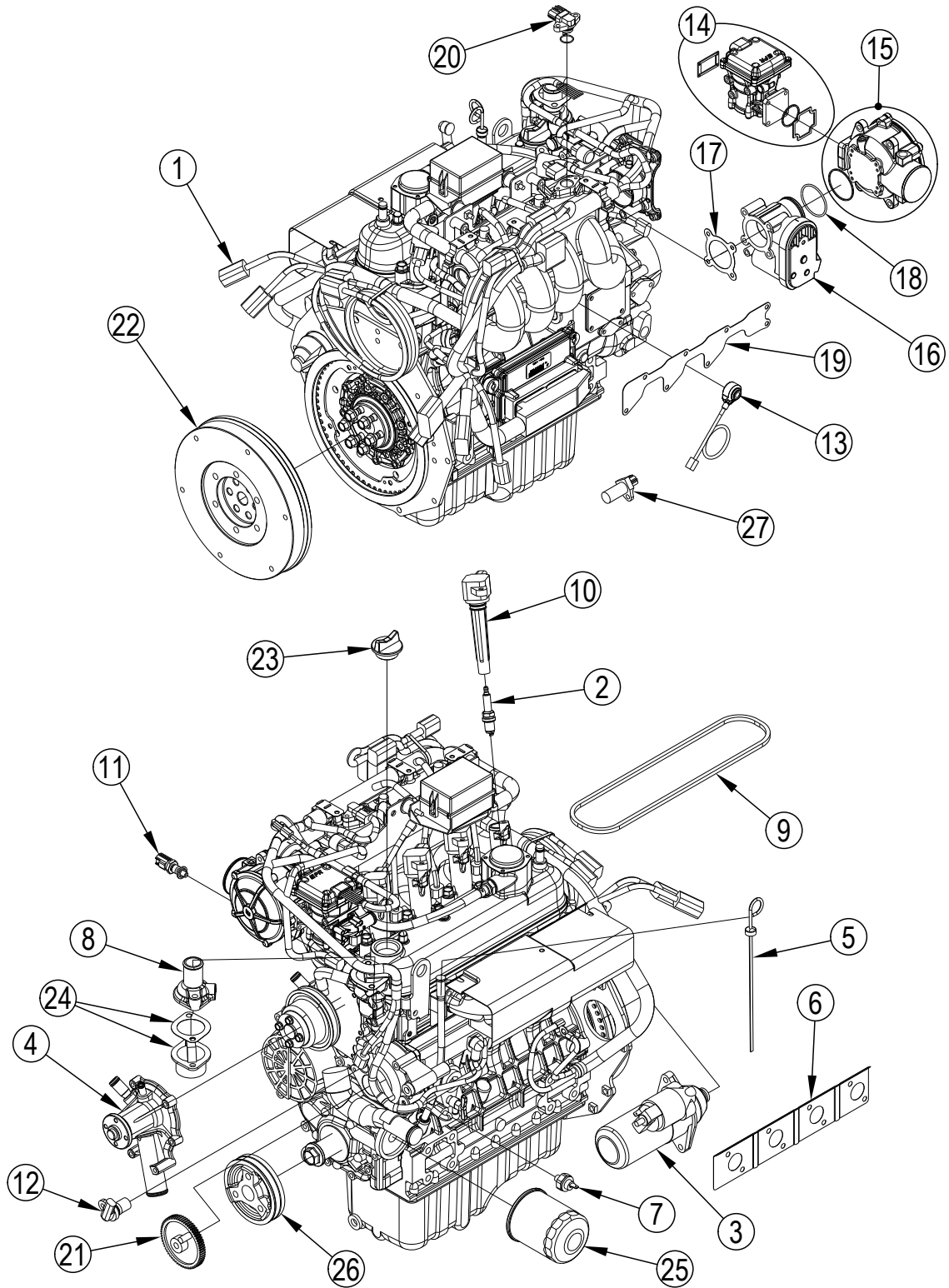
## ENGINE BASE ASSY - DIESEL

SC8000 1300 D NIL

2017.11.02

2016.02.23

Pos.	Product no	QTY	Description	Notes
1	33019750	4	IGNITION UNIT	
2	56107710	1	DIPSTICK	
3	56107716	1	COVER-THERMOSTAT	
4	56107717	1	GASKET-VALVE COVER	
5	56107758	1	CAM GEAR	
6	56107759	1	FLYWHEEL	
7	56107760	1	GASKET INTAKE	
8	56107761	1	GASKET EXHAUST	
9	56108215	1	TURBO CHARGER ASSY	
10	56108216	1	GASKET-TURBO EXHAUST IN	
11	56108217	1	GASKET-TURBO EXHAUST OUT	
12	56108223	4	GLOW PLUG-DIESEL TURBO	
13	56381961	1	TUBE COOLANT	
14	56381962	1	HOSE-WATER PUMP INLET	
15	56383025	1	CAP-OIL FILL	
16	56419086	1	FUEL FILTER CARTRIDGE	
17	56419089	1	STARTER MOTOR	
18	56508454	1	THERMOSTAT KIT	
19	56482659	1	OIL FILTER SPIN ON	
20	56508490	1	THROTTLE/SHUT DOWN ACTUATOR	
21	56510970	1	WATER PUMP-D1305	



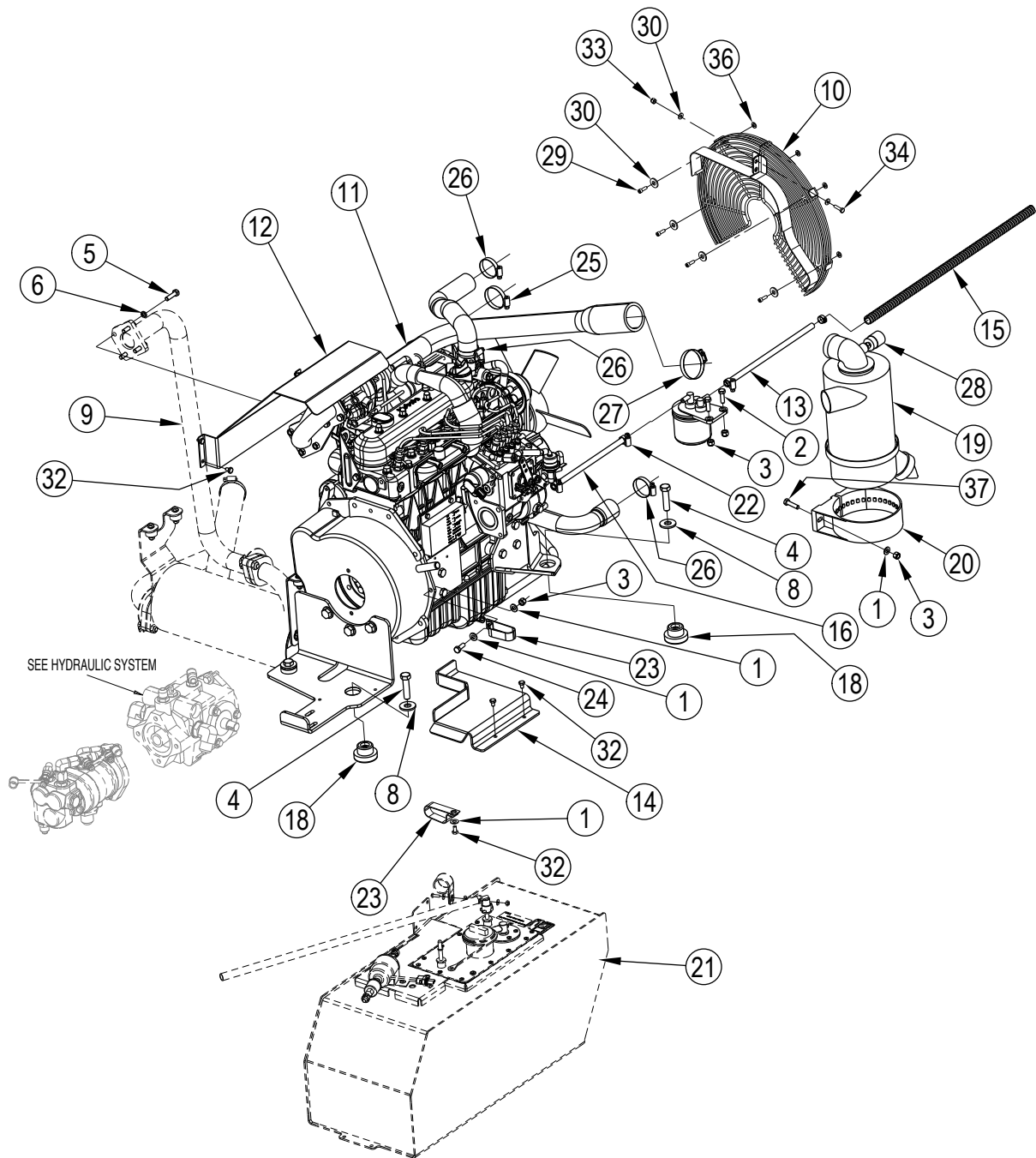
# ENGINE BASE ASSY - LPG

SC8000 1300 D NIL

2017.11.02

2016.02.23

Pos.	Product no	QTY	Description	Notes
1	56107705	1	HARNESS-KUBOTA 4 CYL LPG	
2	56107706	4	SPARK PLUG	
3	56107707	1	STARTER	
4	56107708	1	WATER PUMP ASSY-LPG	
5	56107710	1	DIPSTICK	
6	56107711	1	GASKET-EXHAUST MANIFOLD	
7	56107712	1	OIL PRESSURE SWITCH	
8	56107716	1	COVER-THERMOSTAT	
9	56107717	1	GASKET-VALVE COVER	
10	56107718	4	IGNITION COIL	
11	56107721	1	WATER TEMP SENSOR W/SEAL	
12	56107736	1	CAM SENSOR	
13	56107737	1	KNOCK SENSOR	
14	56107738	1	DEPR ASSY	
15	56107739	1	MIXER ASSY	
16	56107740	1	THROTTLE BODY	
17	56107741	1	GASKET THROTTLE BODY	
18	56107742	1	O-RING	
19	56107743	1	GASKET INTAKE MANIFOLD	
20	56107744	1	TMAP SENSOR	
21	56107745	1	CAM GEAR	
22	56107746	1	FLYWHEEL	
23	56383025	1	CAP-OIL FILL	
24	56508454	1	THERMOSTAT KIT	
25	56482659	1	OIL FILTER SPIN ON	
26	56510973	1	PULLEY-CRANKSHAFT	
27	2-00-06354	1	CRANK/RPM SENSOR	



# ENGINE SYSTEM - DIESEL

SC8000 1300 D NIL

2019.07.18

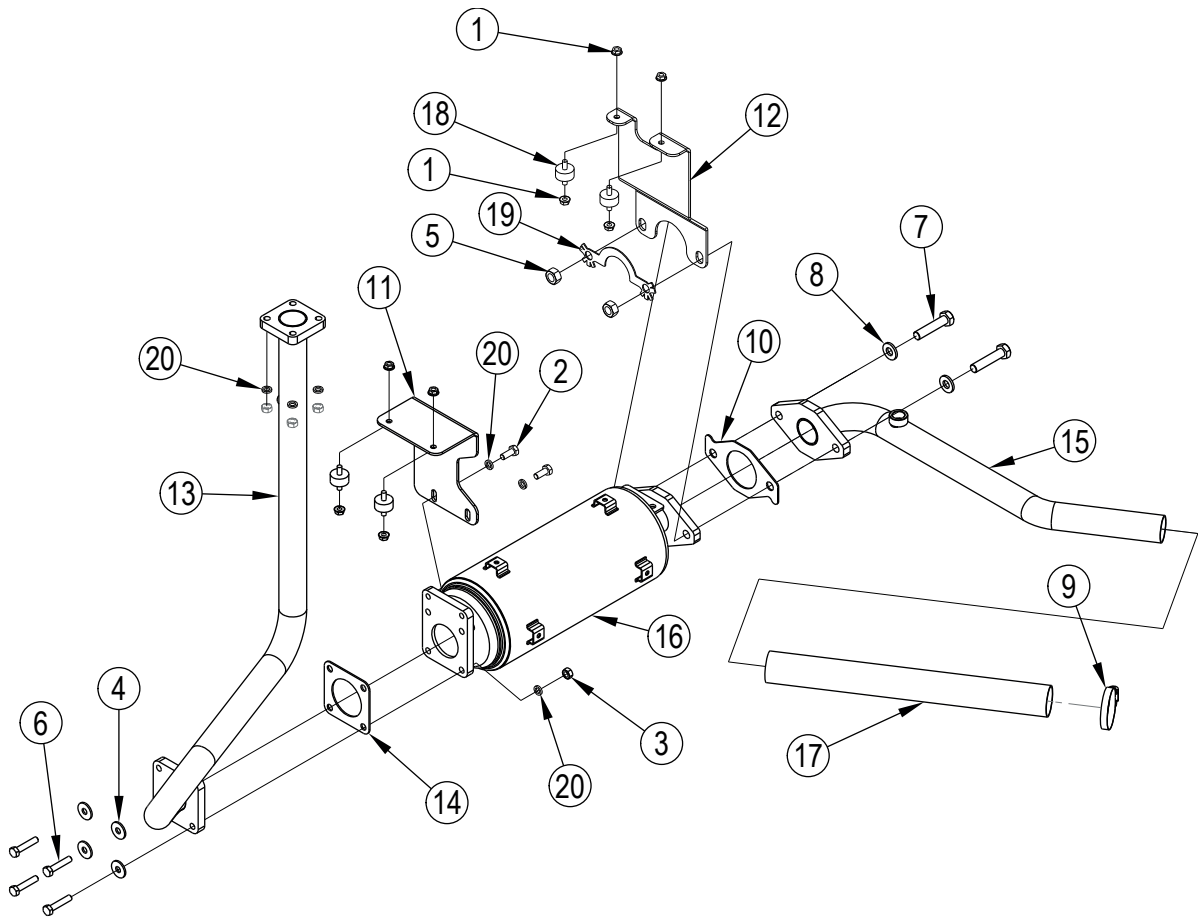
2019.07.19

Pos.	Product no	QTY	Description	Notes
1	56001939	6	WSH FLT SAE 5/16	
2	56002221	2	SCR HEX 5/16-18 X 1.00	
3	56002701	5	NUT HEX NYL LOC 5/16-18	
4	56002983	4	SCR HEX 1/2-13 X 2.00	
5	56003416	4	SCR HEX M8-1.25 X 30MM	
6	56003685	4	WASHER NORD-LOC M8	
7			Intentionally Omitted	
8	56009115	4	WSH FLT HDN .594X1.375X.134	
9		1	Muffler Assy-Diesel	
10	56108187	1	GUARD FAN	
11	56111255	1	DIESEL ENGINE ASSY	
12	56111314	1	HEAT SHIELD	
13	56111335	1	HOSE FUEL LINE	
14	56111476	1	PLATE GUARD	
15	56383225	1	CONDUIT HOSE .75	
16	56111507	1	HOSE FUEL	
18	56478685	4	MOUNT-RUBBER-ENGINE	
19	56482478	1	CLEANER AIR	
	56482028	1	FILTER SAFETY	
	56482029	1	FILTER PRIMARY	
20	56482621	1	BAND ASSY	
21	56108183	1	DIESEL TANK ASSY	
22	56756364	3	CLAMP HOSE SAE 4 E00047	
23	2-00-05253	2	CLAMP	
24	56002037	1	SCR HEX 5/16-18 X .88	
25	56329145	1	CLAMP HOSE SAE 24 E00047	
26	56413839	4	CLAMP HOSE WORM DRIVE	
27	56440213	1	CLAMP HOSE SAE 32E00047	
28	7-24-04087	1	FILTER SERVICE INDICATOR 20 WC	
29	56002149	4	Screw soc hd 25.2x.75(s/s)	[1]
30	56002098	2	H FLT SAE 1/4	
32	56009033	7	SCR HEX THD FORM 1/4-20X.50	
33	56002708	1	NUT HEX NYL LOC 1/4-20	
34	56002093	1	SCR HEX 1/4-20 X 1.00	
35			Intentionally Omitted	
36	56004002	4		
37	56001834	2	SCR HEX 5/16-18 X 1.25	
			ENGINE REPLACEMENT PARTS	
			ENGINE DIESEL	
	56463590	1	GLOW PLUG TIMER	
	56110738	1	ALTERNATOR 105 AMP	
	56419086	1	FUEL FILTER CARTRIDGE	
	56482659	1	OIL FILTER SPIN ON	
	56508393	1	BELT VEE	
	56418718	1	FAN COOLING	
	56419087	1	FAN BELT	
	56419088	1	THERMOSTAT	
	56508489	1	THERMOSTAT GASKET	
	56419089	1	STARTER MOTOR	
	56508444	1	SWITCH PRESSURE	
	56419091	1	SWITCH TEMPERATURE	
	56508490	1	THROTTLE/SHUT DOWN ACTUATOR	
	56508400	1	CONTROLLER-THROTTLE	
	56111319	1	SPEED SENSOR	
	56111301	1	HOSE RADIATOR	
	56111312	1	OIL DRAIN ASSY	
	56508355	1	FUEL PUMP ELECTRONIC	[2]
	56419307	1	GASOLINE STRAINER-30 MICRON	
	56111320	1	DRIVE PLATE	

Pos.	Product no	QTY	Description	Notes
	56111622	1	HOSE AIR CLEANER	
	56111623	1	HOSE LOWER RADIATOR	
	56419107	1	EXHAUST GASKET	[2]
	56501005	1	ANTI-FREEZE	
		1	Oil-10W30-6/1-API-CF (1.375 gal.)	
	56380140	1	HUB ENGINE	
	56380142	1	PUMP HOUSING ASSY	
	56111320	1	DRIVE PLATE	
	56380146	1	KIT HARDWARE ENGINE HUB	

## Part Notes:

- [1] - GUARANTEE DATE EXPIRED
- [2] - Shipped with the engine.



# EXHAUST CATALYST ASSY - LPG

SC8000 1300 D NIL

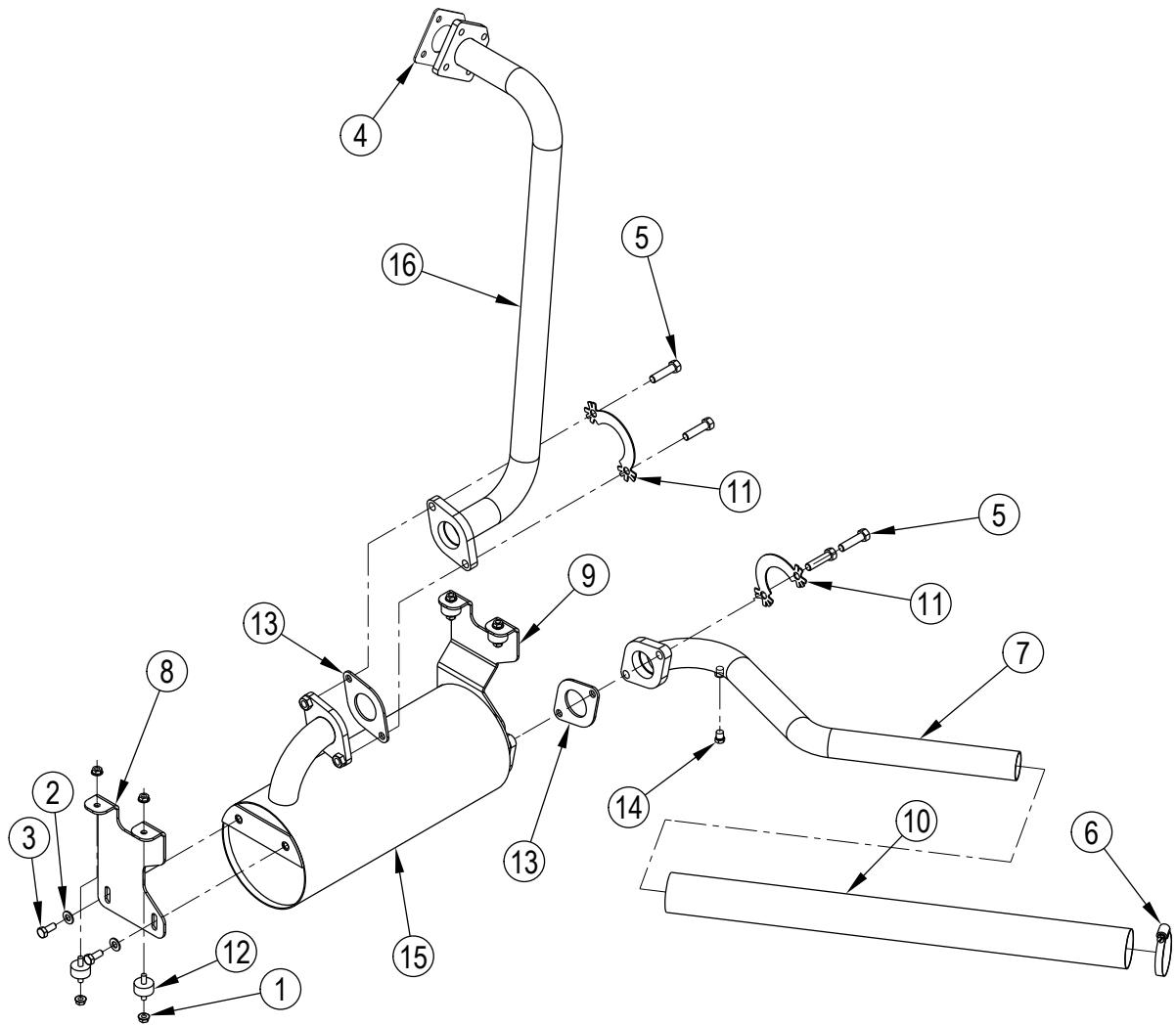
2017.11.02

2020.01.14

Pos.	Product no	QTY	Description	Notes
			Catalyst Assy-LP	[1]
1	56001827	8	NUT HEX SERRATED 1/4-20	
2	56003179	2	SCR HEX THD/HD M8-1.25X20MM	
3	56003352	4	NUT HEX M8	
4	56003362	4	WSH FLT 8 MM	[2]
5	56003410	2	NUT-HEX M12-1.75	
6	56003437	4	SCR HEX SS M8-1.25X40MM	
7	56004141	2	SCR HEX M12X50 SS W/THD LCK	
8	56003889	2	WSH-FLT 12MM	
9	56049999	1	CLAMP HOSE	
10	56107592	1	GASKET CAT OUTLET	
11	56108160	1	BRACKET-MUFFLER LT	
12	56108161	1	BRACKET-MUFFLER RT	
13	56108164	1	EXHAUST TUBE WELDMENT	
14	56108174	1	GASKET-CAT INLET	
15	56108178	1	TAILPIPE WELDMENT	
16	56108181	1	CATALYST-MUFFLER	
17	56108182	1	SLEEVE-INSULATION	
18	56305216	4	STUD MOUNT SILICON	
19	56107616	1	LOCK SCREW	
20	56003685	10	WASHER NORD-LOC M8	

**Part Notes:**

- [1] - items 1-20
- [2] - EXPIRED 10/11/2006



# EXHAUST MUFFLER ASSY - DIESEL

SC8000 1300 D NIL

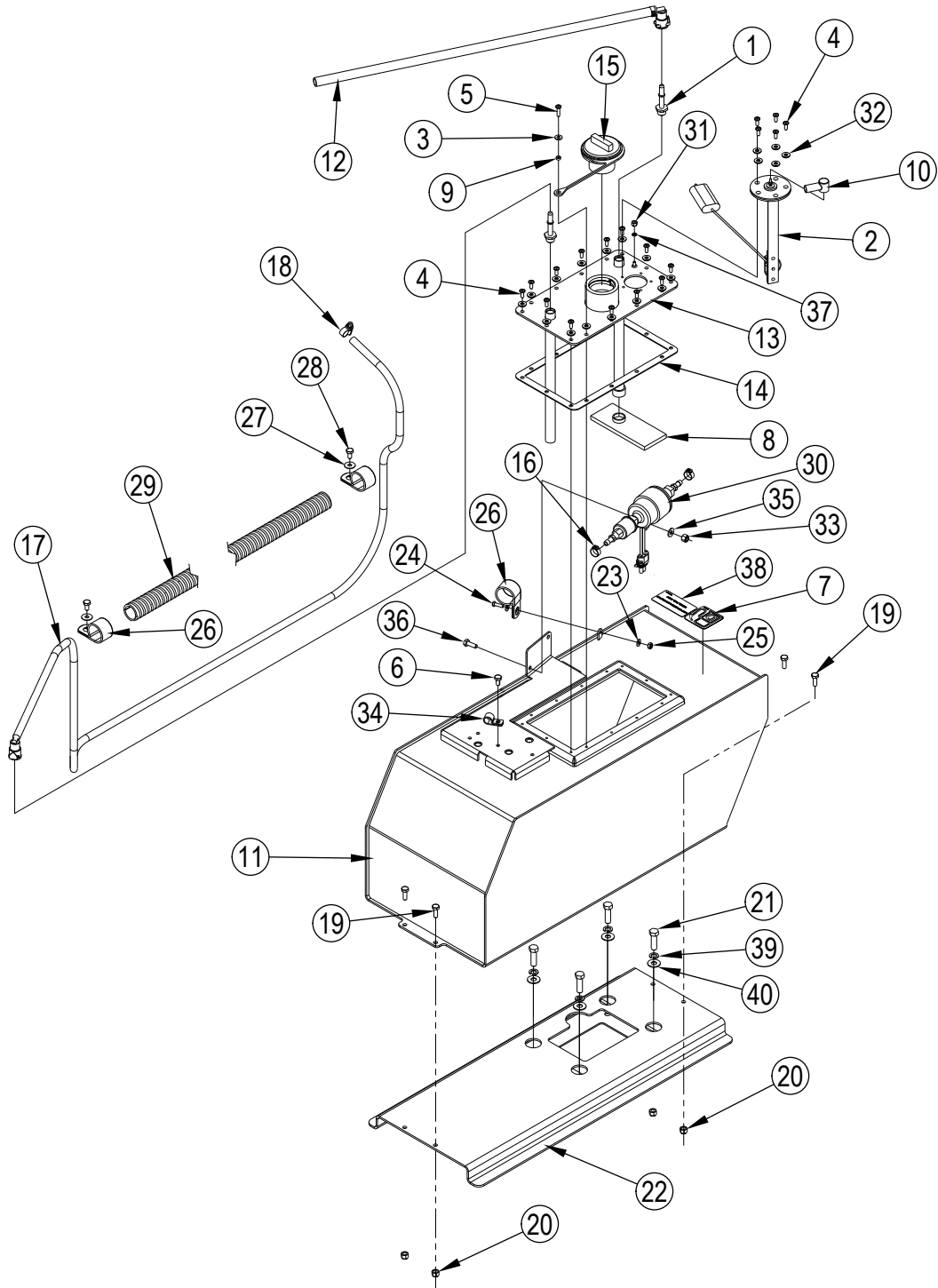
2017.11.02

2020.05.26

Pos.	Product no	QTY	Description	Notes
1	56001827	8	NUT HEX SERRATED 1/4-20	
2	56001939	4	WSH FLT SAE 5/16	
3	56002667	4	SCR HEX 5/16-18 X .75	
4	56419107	1	EXHAUST GASKET	[1]
5	56002747	4	SCR HEX THD/HD 3/8-16 X 1.50	
6	56049999	1	CLAMP HOSE	
7	56110399	1	LP/PETROL TAILPIPE WELDMENT	
8	56110459	1	BRACKET MUFFLER	
9	56110797	1	BRACKET MUFFLER	
10	56110868	1	SLEEVE INSULATION	
11	56111634	2	LOCK SCREW	
12	56305216	4	STUD MOUNT SILICON	
13	56305549	2	GASKET EXHAUST	
14	2-00-03778	1	HEX HD 1/8 NPT PLUG	
15	56110624	1	MUFFLER	
16	56110314	1	EXHAUST TUBE WELDT	

**Part Notes:**

[1] - Shipped with the engine.



# FUEL TANK ASSY - DIESEL

SC8000 1300 D NIL

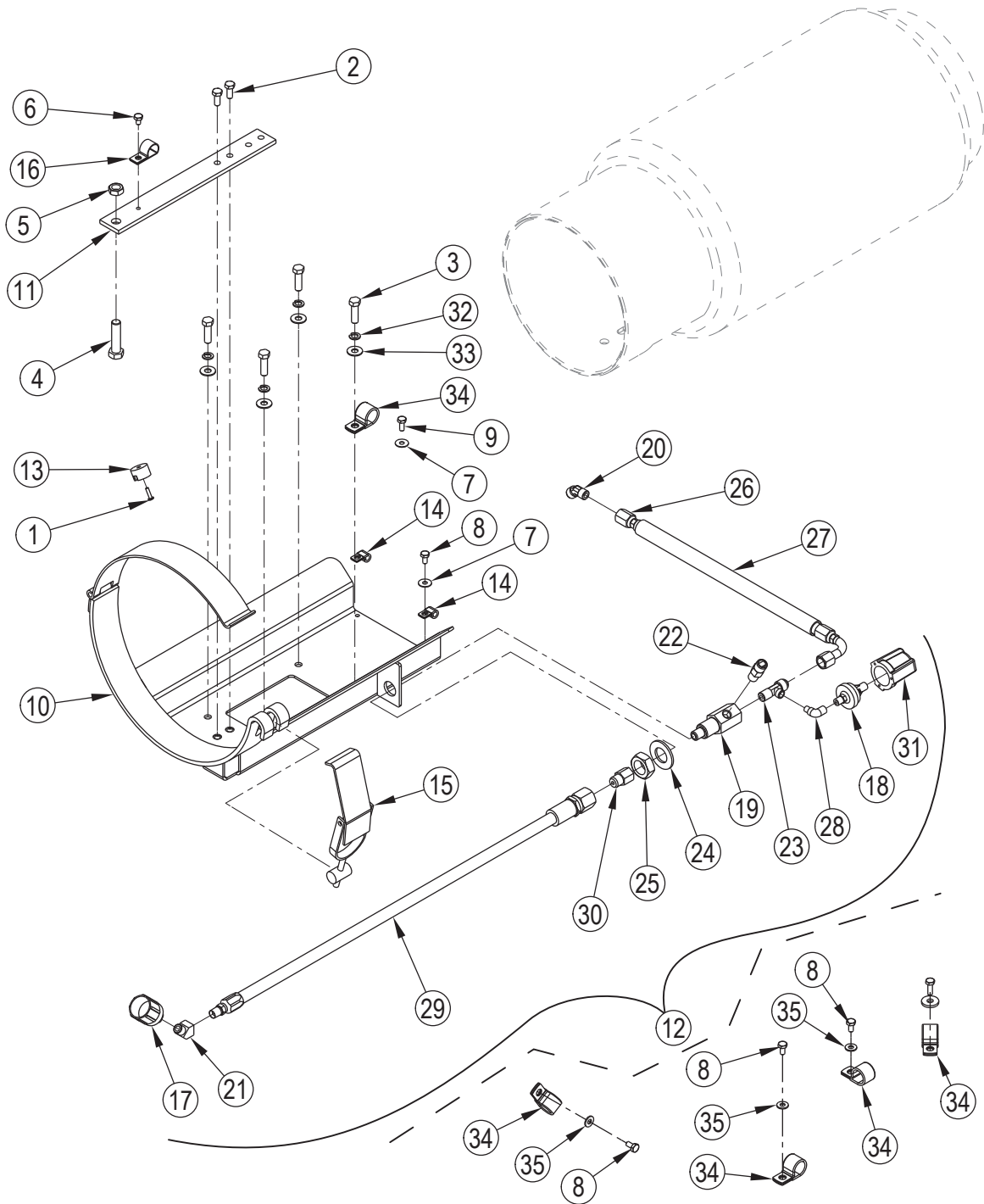
2017.11.02

2019.07.19

Pos.	Product no	QTY	Description	Notes
	56108183	1	DIESEL TANK ASSY	[1]
1	7-11-04083	2	FITTING -6 STOR-5/16 SAE J2044	
2	56478358	1	SENDER FUEL LEVEL RE437A	
3	56001954	1	WSH FLT SAE 10	
4	56001993	18	SCREW 10-24 X 0.5 ZINC PL	
5	56002192	1	SCR PAN PHIL 10-24 X .75	
6	56009033	1	SCR HEX THD FORM 1/4-20X.50	
7	56025454	1	DECAL DIESEL FUEL	
8	56419307	1	GASOLINE STRAINER-30 MICRON	
9	56454275	1	BUSHING .20X.31X.12	
10	56492305	1	BOOT	
11	56507946	1	TANK FUEL WELDMENT	
12	56507957	1	HOSE ASSY	
13	56508348	1	COVER PLATE WELDT	
14	56508349	1	GASKET COVER	
15	56508354	1	FUEL CAP	
16	56508515	2	CLAMP	
17	56111325	1	FUEL HOSE ASSY	
18	56756364	1	CLAMP HOSE SAE 4 E00047	
19	56002155	4	SCR HEX 1/4-20 X .75	
20	56002708	4	NUT HEX NYL LOC 1/4-20	
21	56003079	4	SCR HEX LOC 3/8-16 X .75	
22	56110475	1	TANKMOUNT WELDMENT	
23	56001954	2	WSH FLT SAE 10	
24	56002829	1	SCR HEX 10-24 X .62	
25	56002832	1	NUT HEX NYL LOC-THIN 10-24	
26	56409463	3	CLAMP 1.25 HOSE SUPPORT	
27	56009025	2	WSH FLT .266X.750X.036	
28	56009033	2	SCR HEX THD FORM 1/4-20X.50	
29	56111506	1	CONDUIT HOSE 1.00	
30	56508355	1	FUEL PUMP ELECTRONIC	[2]
31	56002808	1	NUT HEX NYL LOC 8-32	
32	56209261	19	WASHER SEALING	
33	56002708	1	NUT HEX NYL LOC 1/4-20	
34	56486112	1	CLAMP P	
35	56002098	1	H FLT SAE 1/4	
36	2-00-00221	1	SCW-HHC .25-20 X .75 GR 8 ZN	
37	2-00-00506	1	LK WASH INT TOOTH 8 DIA SCREW	
38	56109404	1	DECAL-LOW SULFUR DIESEL	
39	2-00-02310	4	LK WASH HELICAL SPR ZN	
40	56002220	4	WSH FLT STD 5/16	
41	56384497	2		

**Part Notes:**

- [1] - (items 1-16, 31-37)
- [2] - Shipped with the engine.



# FUEL TANK ASSY - LPG

SC8000 1300 D NIL

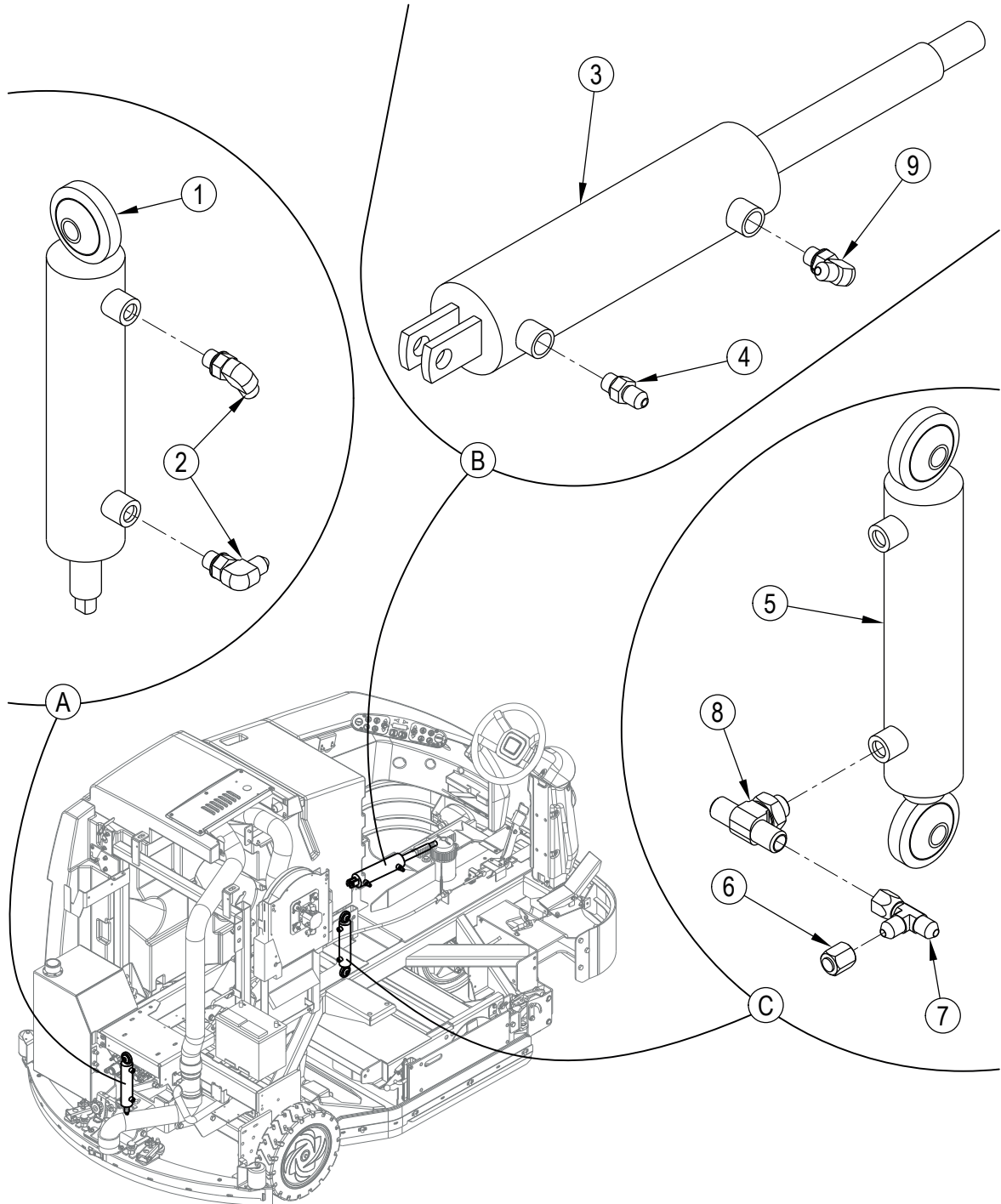
2017.11.02

2017.06.21

Pos.	Product no	QTY	Description	Notes
	56110468	1	LP TANK BRACKET ASSY	[1]
1	56002146	1	SCR PAN PHIL 8-32 X .62	
2	56002956	2	SCR HEX LOC 5/16-18 X .75	
3	2-00-04705	4	SCW-HHC .375 GRADE 8 ZN PL	
4	2-00-04967	1	SCR.-HHM .50-13 X 2.50 GR5 ZN	
5	56009016	1	NUT HEX JAM 1/2-13	
6	56009019	1	SCR HEX THD FORM 1/4-20X .38	
7	56009025	2	WSH FLT .266X.750X.036	
8	56009033	4	SCR HEX THD FORM 1/4-20X.50	
9	56009250	1	SCR HEX THD FORM 1/4-20X.62	
10	56110469	1	LP TANK BRACKET WELDT	
11	56110472	1	BAR	
12	56110659	1	LP FILTER ASSEMBLY	[2]
13	56110985	1	MAGNET	
14	56323260	2	CLAMP CABLE	
15	56481997	1	CLAMP	
16	2-00-04564	1	CABLE CLAMP	
17	56369675	1	COUPLER FEMALE CV140P	
18	56418381	1	SWITCH N C PRESSURE	
19	56418934	1	FITTING BULKHEAD	
20	56456598	1	ELBOW MALE 45 DEG E00238	
21	56368938	1	ELBOW ST 1/4X45 BR E00029	[3]
22	56456624	1	VENT 1/4 NPT	
23	56900921	1	TEE	
24	56002228	1	WSH FLT SAE 7/8	
25	56002615	1	NUT HEX JAM 7/8-14	
26	56110660	1	LP HOSE ASSY	
27	56110661	1	CONDUIT	
28	56111309	1	ELBOW ST 1/8X90 BR E00031	
29	56384522	1	HOSE-LP 1/4 NTPF X 5/8-18 35LG	[3]
30	56305505	1	ADAPTER SAE 45 DEGREE	
31	56419241	1	DUST BOOT	
32	2-00-02310	4	LK WASH HELICAL SPR ZN	
33	56002220	4	WSH FLT STD 5/16	
34	56496276	5	CLAMP HOSE SUPPORT	[4]
35	56002098	3	H FLT SAE 1/4	

## Part Notes:

- [1] - (items 1-16)
- [2] - (items 17-31)
- [3] - TSB-FC-2015-019 SC8000 Propane Hose Fitting Leak
- [4] - P-Clamps are used to route and secure the LP fuel line on the machine.



# HYDRAULIC CYLINDER ASSEMBLIES

SC8000 1300 D NIL

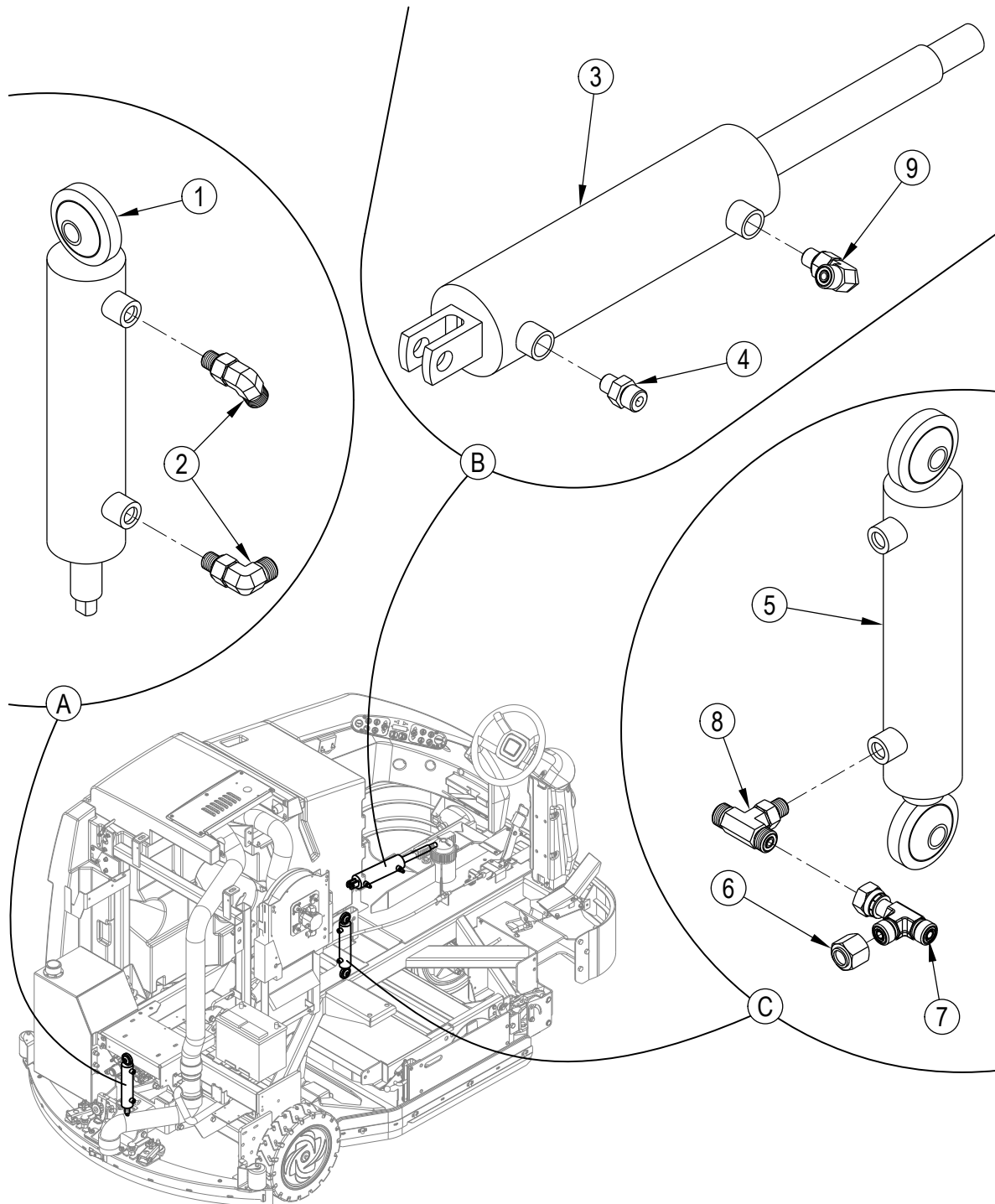
2017.11.02

2013.08.12

Pos.	Product no	QTY	Description	Notes
A		1	Squeegee Cylinder Assy	[1]
1	56110262	1	CYLINDER HYDRAULIC 1.5X5	
	56305702	1	SEAL KIT	
2	56900101	2	ELBOW 90 DEG.O/R -4 E00003	
B		1	Cylinder Assembly, Steer	[2]
3	56304933	1	CYLINDER HYDRAULIC 2 X 6	
	56488723	1	SEAL KIT	
4	56900001	1	CONNECTOR O-RING-4 E00001	
9	56900101	1	ELBOW 90 DEG.O/R -4 E00003	
C		1	Scrub Lift Cyl. Assy	[3]
5	56110370	1	CYLINDER HYDRAULIC 1.50X5.00	
	56110723	1	SEAL KIT	
6	56111165	1	END CAP FLARE TUBE	
7	56900341	1	TEE RUN W/NUT -4 E00009	
8	56900356	1	TEE BRANCH O-RING EO0006	

**Part Notes:**

- [1] - (items 1-2)
- [2] - (items 3-4, 9)
- [3] - (items 5-8)



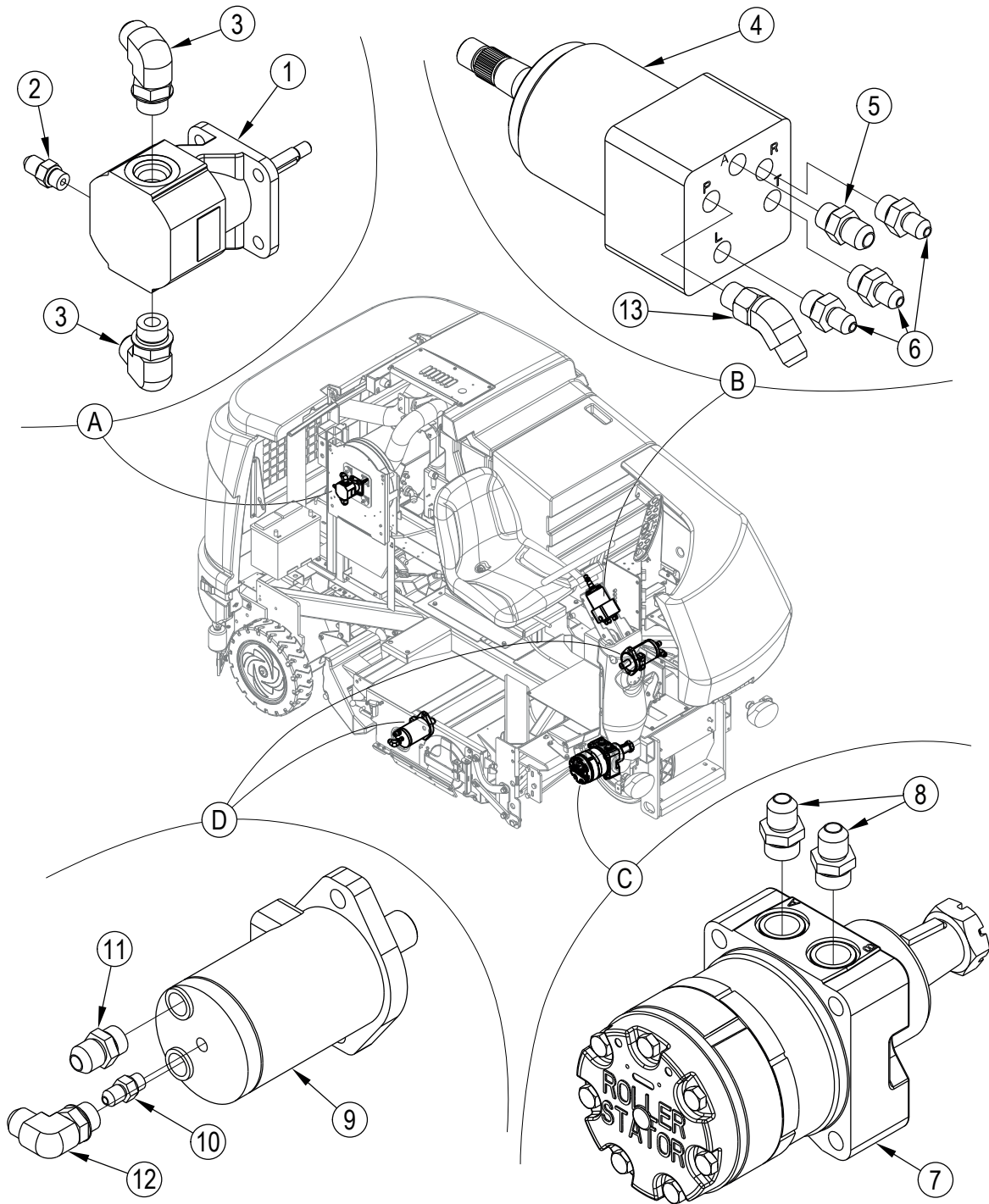
# HYDRAULIC CYLINDER ASSEMBLIES-ORFS

SC8000 1300 D NIL

2019.07.18

2019.08.06

Pos.	Product no	QTY	Description	Notes
A		1	Squeegee Cylinder Assy (items 1-2)	
1	56110262	1	CYLINDER HYDRAULIC 1.5X5	
	56305702	1	SEAL KIT	
2	2-00-04892	2	HYD. ADAPTER-SAE TO OR 90 EL	
B		1	Cylinder Assembly, Steer (items 3-4, 9)	
3	56304933	1	CYLINDER HYDRAULIC 2 X 6	
	56488723	1	SEAL KIT	
4	2-00-04895	1	STRAIGHT THREAD FITTING	
9	2-00-04892	1	HYD. ADAPTER-SAE TO OR 90 EL	
C		1	Scrub Lift Cyl. Assy (items 5-8)	
5	56110370	1	CYLINDER HYDRAULIC 1.50X5.00	
	56110723	1	SEAL KIT	
6	56394082	1	FTG-CAP-4FSWORFS	
7	56394084	1	FTG-RUN TEE-4MORFS-4FSWORFS	
8	2-00-04919	1	FITTING-BRANCH TEE SAE4 ORS4	



# HYDRAULIC MOTOR ASSEMBLIES

SC8000 1300 D NIL

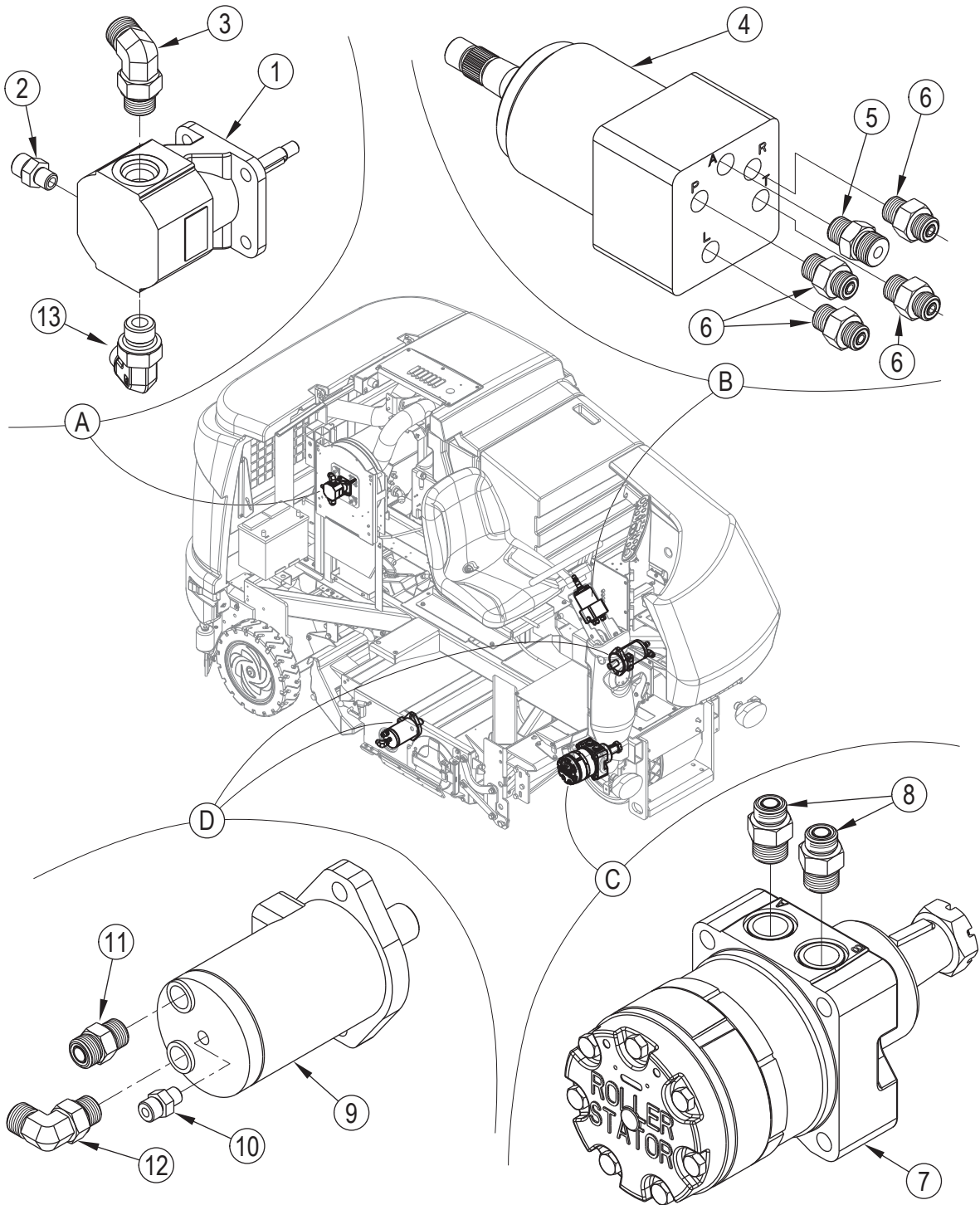
2017.11.02

2016.11.07

Pos.	Product no	QTY	Description	Notes
A		1	Fan Motor Assembly (items 1-3)	
1	56110061	1	MOTOR HYDRAULIC.129 CIR	
	56418823	1	SEAL KIT	
2	56900001	1	CONNECTOR O-RING-4 E00001	
3	56900104	2	ELBOW 90 DEG.O/R -8 E00003	
B		1	Steering Pump Assembly (items 4-6, 13)	
4	56111518	1	STEERING PUMP	
	56419521	1	SEAL KIT STEERING	
5	56900003	1	CONNECTOR O/R -6 E00001	
6	56900011	3	CONNECTOR-4-6 E00001	
13	56900153	1	ELBOW 45 DEG.O/R -6 E00004	
C		1	Drive Motor Assembly (items 7-8)	
7	56110351	1	MOTOR TRACTION DRIVE	
	56507618	1	SEAL KIT	
7	56108225	1		[1]
8	56900015	2	CONNECTOR O-RING E00001	
D	56110339	1	HYDRAULIC MOTOR ASSY	[2]
9	56497525	1	MOTOR MAIN BROOM	
	56479577	1	SEAL KIT	
	56307149	1	VITON SEAL KIT	
10	56900001	1	CONNECTOR O-RING-4 E00001	
11	56900004	1	CONNECTOR O/R -8 E00001	
12	56900104	1	ELBOW 90 DEG.O/R -8 E00003	

**Part Notes:**

- [1] - Only included in optional Hyd-Traction Drive Motor Kit 56108224.
- [2] - (items 9-12)



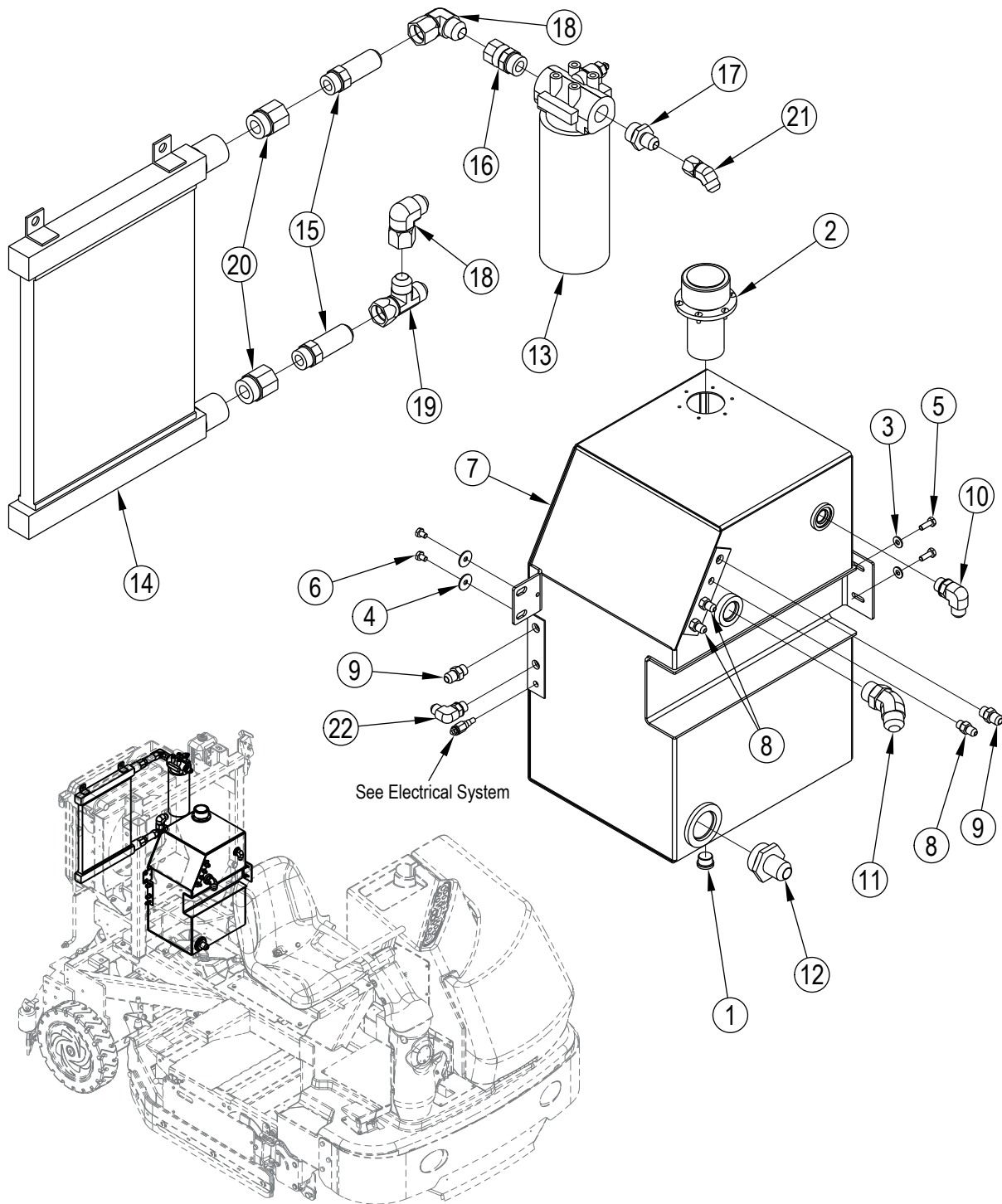
# HYDRAULIC MOTOR ASSEMBLIES-ORFS

SC8000 1300 D NIL

2019.05.27

2019.05.27

Pos.	Product no	QTY	Description	Notes
A		1	Fan Motor Assembly (items 1-3, 13)	
1	56110061	1	MOTOR HYDRAULIC.129 CIR	
*	56418823	1	SEAL KIT	
2	2-00-04895	1	STRAIGHT THREAD FITTING	
3	2-00-04885	1	HYD.FITTING SAE TO OR 90 EL	
13	56394129	1	FTG-90-6MORFS-8MORB	
B		1	Steering Pump Assembly (items 4-6, 13)	
4	56111518	1	STEERING PUMP	
*	56419521	1	SEAL KIT STEERING	
5	2-00-05442	1	HYD. FITTING 3/8ORS X 3/8 BOSS	
6	2-00-04918	4	FITTING-STRAIGHT SAE6 TO ORS4	
C		1	Drive Motor Assembly (items 7-8)	
7	56110351	1	MOTOR TRACTION DRIVE	
*	56507618	1	SEAL KIT	
7		1	Motor, Traction Drive NOTE 1	
	56108226	1		
8	2-00-04974	2	FITTING-HYD STR 80RS-10SAE	
D	56108264	2	HYDRAULIC MOTOR ASSYHydraulic Motor Assembly (items 9-12)	
9	56497525	1	MOTOR MAIN BROOM	
*	56479577	1	SEAL KIT	
10	2-00-04895	1	STRAIGHT THREAD FITTING	
11	2-00-04970	1	FITTING-HYD STR 8 ORS-8 SAE	
12	2-00-04885	1	HYD.FITTING SAE TO OR 90 EL	



# HYDRAULIC OIL COOLER - RESERVOIR

SC8000 1300 D NIL

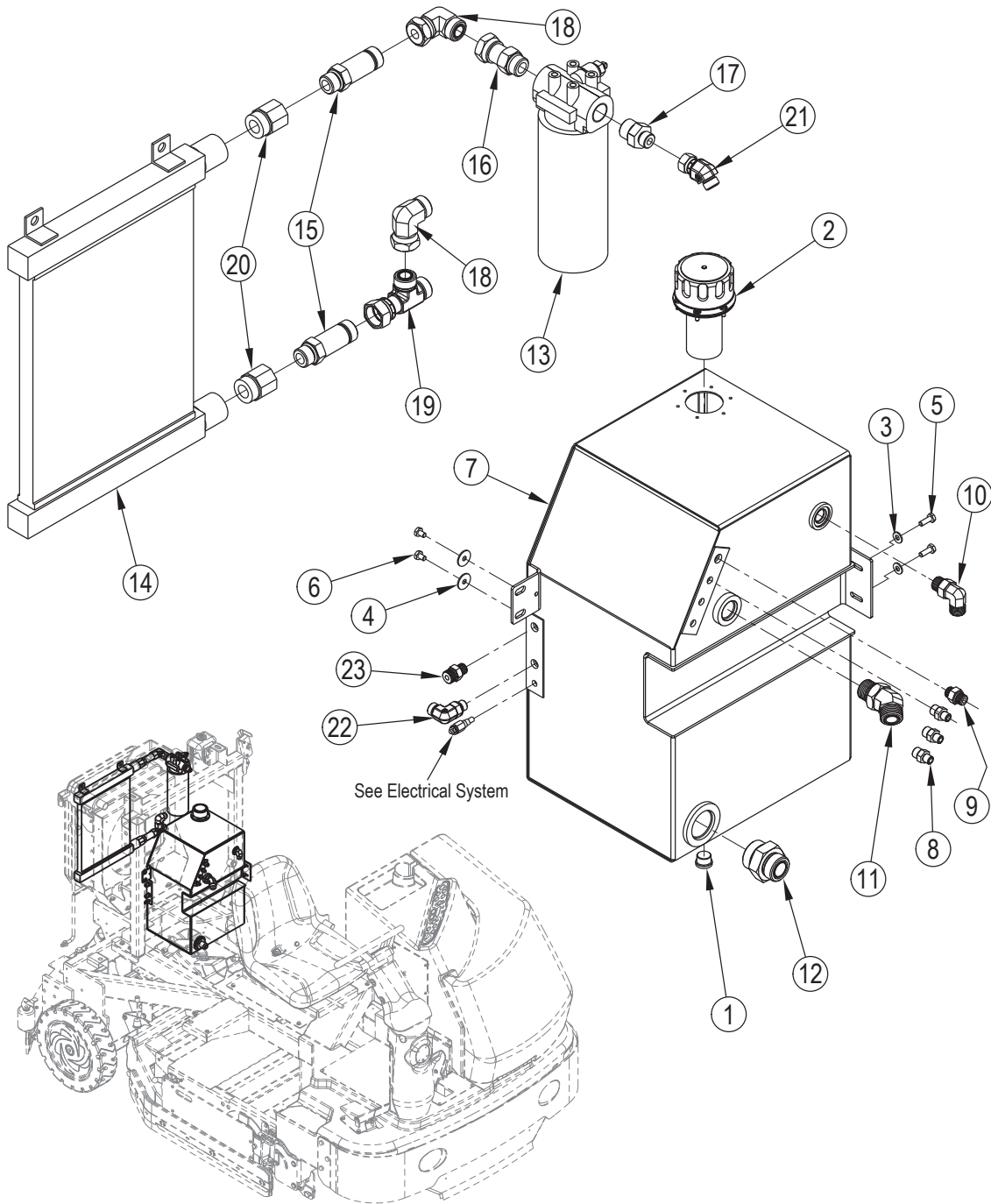
2017.11.02

2013.08.12

Pos.	Product no	QTY	Description	Notes
1	56463403	1	PLUG HEX O-RING E00594	
2	56479656	1	FILLER CAP RE483B	[1]
3	56002098	2	H FLT SAE 1/4	
4	56009002	2	WASHER FLAT .266X.906X.060	
5	56009018	2	SCR HEX THD FORM 1/4-20X .75	
6	56009019	2	SCR HEX THD FORM 1/4-20X .38	
7	56110170	1	RESERVOIR WELDMENT	
8	56900001	3	CONNECTOR O-RING-4 E00001	
9	56900003	2	CONNECTOR O/R -6 E00001	
10	56900104	1	ELBOW 90 DEG.O/R -8 E00003	
11	56900156	1	ELBOW 45 DEG.O/R W/NUT E00004	
12	56900451	1	CONNECTOR O-RING	
	56110665	1	OIL COOLER ASSY	[2]
13	56456449	1	FILTER ASSY OIL	
	56496209	1	FILTER ELEMENT	
14	56463678	1	COOLER OIL	
15	56110978	2	FITTING LONG STRAIGHGT	
16	56110981	1	FITTING SWIVEL STR	
17	56900016	1	CONNECTOR O/R -8-12	
18	56900306	2	ELBOW 90D W/NUT -12 E00007	
19	56900346	1	TEE RUN W/NUT E00009	
20	56900608	2	REDUCER W/O RING E00026	
21	56900324	1	ELBOW 45DEG W/NUT 8 E00008	
22	56900103	1	ELBOW 90 DEG O/R -6 E00003	

**Part Notes:**

- [1] - EXPIRED USE 56107825
- [2] - (items 13-21)



# HYDRAULIC OIL COOLER - RESERVOIR-ORFS

SC8000 1300 D NIL

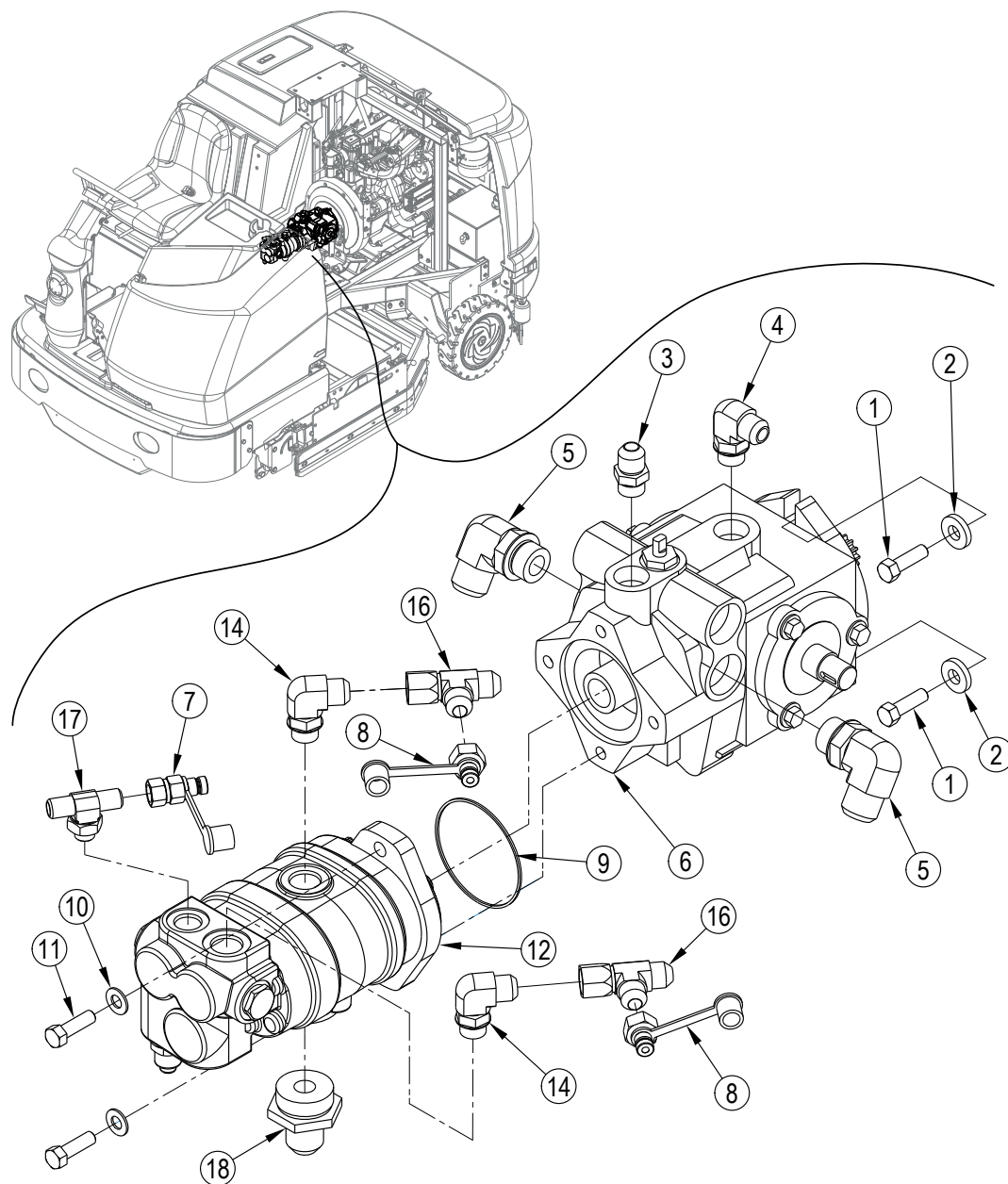
2019.05.27

2019.05.27

Pos.	Product no	QTY	Description	Notes
		1	Reservoir Assembly (items 1-12, 22, 23)	
1	56463403	1	PLUG HEX 0-RING E00594	
2	56107825	1	CAP-FILLER	
3	56002098	2	H FLT SAE 1/4	
4	56009002	2	WASHER FLAT .266X.906X.060	
5	56009018	2	SCR HEX THD FORM 1/4-20X .75	
6	56009019	2	SCR HEX THD FORM 1/4-20X .38	
7	56110170	1	RESERVOIR WELDMENT	
8	2-00-04895	3	STRAIGHT THREAD FITTING	
9	2-00-04918	1	FITTING-STRAIGHT SAE6 TO ORS4	
10	2-00-04885	1	HYD.FITTING SAE TO OR 90 EL	
11	2-00-04931	1	FITTING-45 SAE12 TO ORS12	[1]
12	56394080	1	FTG-STR-16MORFS-20MORB	
	56108258	1	OIL COOLER ASSY	
13	56456449	1	FILTER ASSY OIL	
	56496209	1	FILTER ELEMENT	
14	56463678	1	COOLER OIL	
15	56394078	2	FTG-STR EX-12MORFS-12MORB	
16	56394077	1	FTG-STR-12FSWORFS-12MORB	
17	2-00-04979	1	FITTING-HYD STR 8 ORS-12SAE	
18	56394076	2	FTG-90-12MORFS-12FSWORFS	
19	56394079	1	FTG-RUN TEE-12MORFS-12FSWORFS	
20	56900608	2	REDUCER W/O RING E00026	
21	56394036	1	FTG-45-8MORFS-8FSWORFS	
23	2-00-05442	1	HYD. FITTING 3/8ORS X 3/8 BOSS	
22	2-00-05435	1	HYD.FITTING 90DEG ELBOW 3/8 OD	[1]

**Part Notes:**

[1] - GUARANTEE DATE EXPIRED



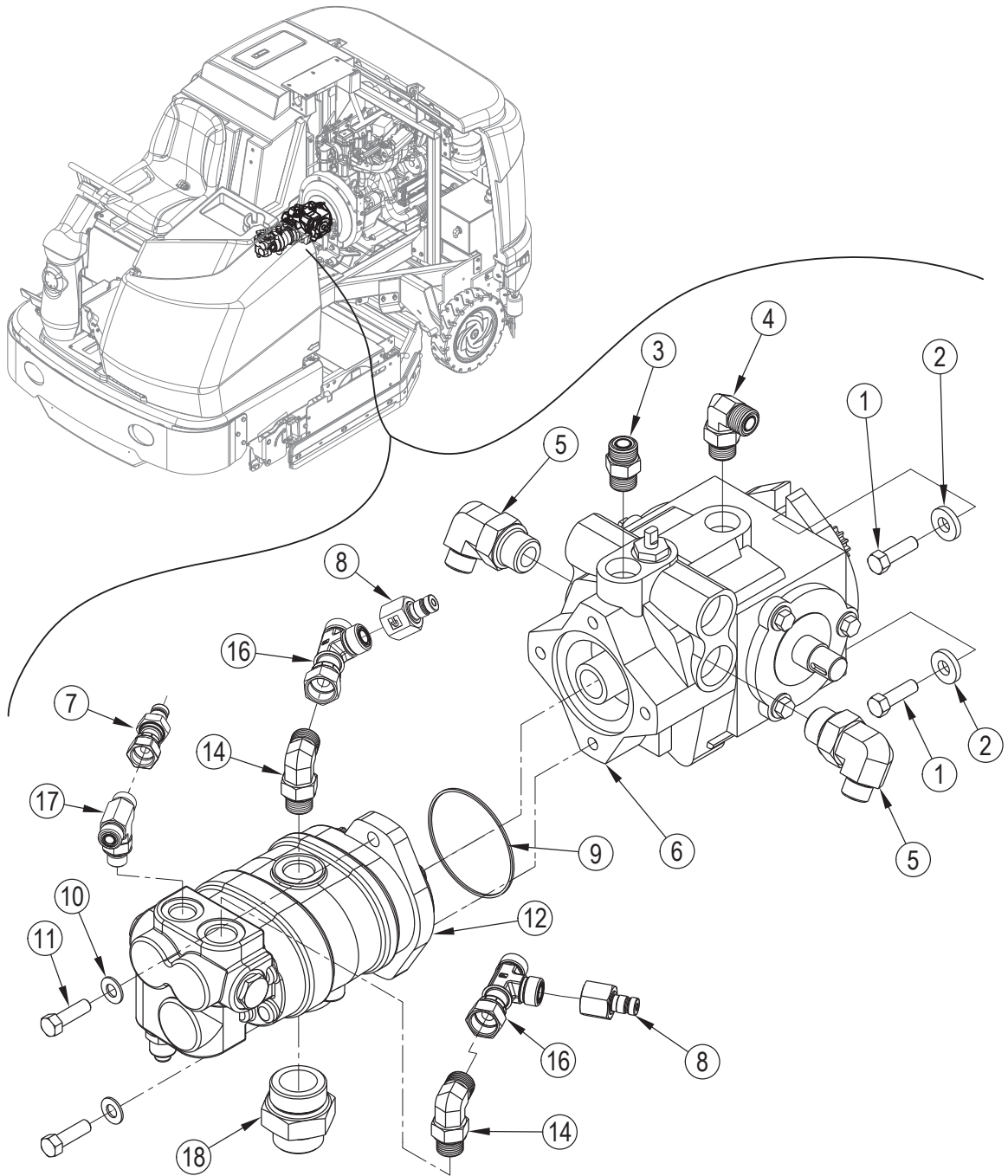
# HYDRAULIC PUMP ASSEMBLIES

SC8000 1300 D NIL

2017.11.02

2014.01.10

Pos.	Product no	QTY	Description	Notes
		1	Pump Assembly (items 1-6)	
1	56003029	2	SCR HEX LOC 3/8-16 X 1.25	
2	56009106	2	WSH FLT .453X1.000X.179	
3	56900004	1	CONNECTOR O/R -8 E00001	
4	56900104	1	ELBOW 90 DEG.O/R -8 E00003	
5	56900106	2	ELBOW 90DEG.O/R -12 E00003	
6	56304112	1	PUMP PISTON	
6	56305360	1	SEAL KIT	
6	56111605	1	RELEIF VALVE 3500 PSI	
		1	Pump Assembly Low Speed (items 7-18)	
7	56418865	1	COUPLING 6 TEST PORT	
8	56418866	2	COUPLING 8 TEST PORT	
9	56488002	1	O-RING	
10	56002063	2	WSH FLT SAE 3/8	
11	56003029	2	SCR HEX LOC 3/8-16 X 1.25	
12	56110371	1	PUMP DUAL LOW SPEED	
12	56418987	1	SEAL KIT TRIPLE PUMP	
12	56111496	1	RELIEF CARTRIDGE	
14	56900104	2	ELBOW 90 DEG.O/R -8 E00003	
16	56900344	2	TEE E00009	
17	56900353	1	TEE BRANCH O-RING E00006	
18	56900451	1	CONNECTOR O-RING	



# HYDRAULIC PUMP ASSEMBLIES-ORFS

SC8000 1300 D NIL

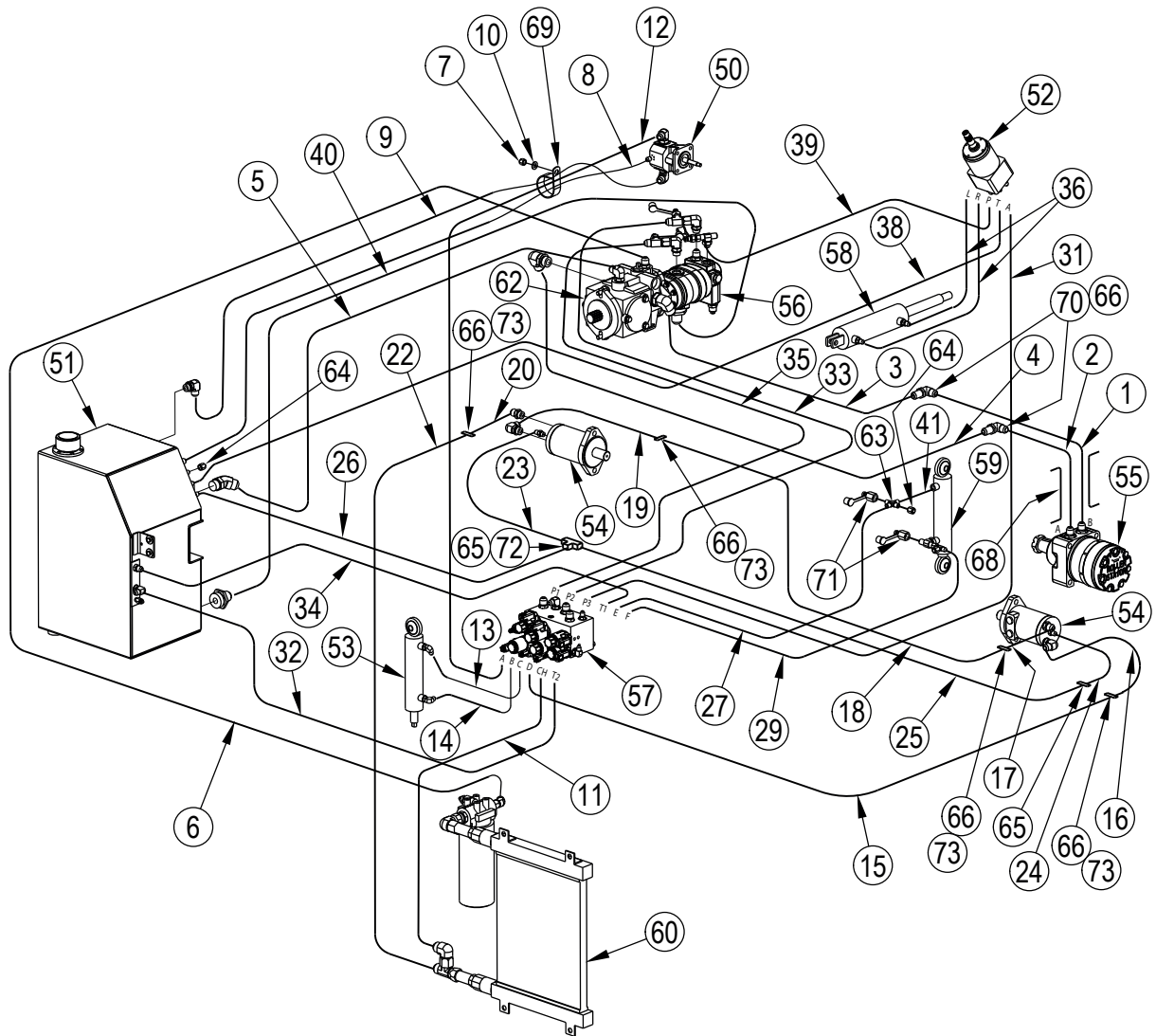
2019.05.27

2019.05.27

Pos.	Product no	QTY	Description	Notes
		1	Pump Assembly (items 1-6)	
1	56003029	2	SCR HEX LOC 3/8-16 X 1.25	
2	56009106	2	WSH FLT .453X1.000X.179	
3	2-00-04970	1	FITTING-HYD STR 8 ORS-8 SAE	
4	2-00-04885	1	HYD.FITTING SAE TO OR 90 EL	
5	2-00-04922	2	FITTING-90 SAE12 TO ORS8	
6	56304112	1	PUMP PISTON	
*	56305360	1	SEAL KIT	
*	56111605	1	RELEIF VALVE 3500 PSI	
		1	Pump Assembly Low Speed (items 7-18)	
7	56394090	1	FTG-NIPPLE-TEST PORT-6FORFS	
8	56394037	2	FTG-NIPPLE-TEST PORT-8-FORFS	
9	56488002	1	O-RING	
10	56002063	2	WSH FLT SAE 3/8	
11	56003029	2	SCR HEX LOC 3/8-16 X 1.25	
12	56110371	1	PUMP DUAL LOW SPEED	
*	56418987	1	SEAL KIT TRIPLE PUMP	
*	56111496	1	RELIEF CARTRIDGE	
14	2-00-04885	2	HYD.FITTING SAE TO OR 90 EL	
16	56394087	2	FTG-RUN TEE-8MORFS-8FSWORFS	
17	2-00-05481	1	FITTING 6 6 ORFS TO ORS TEE	[1]
18	56394080	1	FTG-STR-16MORFS-20MORB	

**Part Notes:**

[1] - GUARANTEE DATE EXPIRED



# HYDRAULIC SYSTEM

SC8000 1300 D NIL

2017.11.02

2014.07.18

Pos.	Product no	QTY	Description	Notes
1	56110670	1	HOSE ASSY	
2	56110705	1	HOSE ASSY	
3	56110671	1	HOSE ASSY	
4	56110672	1	HOSE ASSY	
5	56110673	1	HOSE ASSY	
6	56108204	1	HOSE ASSY	
7	56002769	1	NUT HEX NYL LOC 3/8-16	
8	56110676	1	HOSE ASSEMBLY	
9	56110677	1	HOSE ASSY	
10	56002063	1	WSH FLT SAE 3/8	
11	56110679	1	HOSE ASSY	
12	56110680	1	HOSE ASSY	
13	56110681	1	HOSE ASSY	
14	56110682	1	HOSE ASSY	
15	56110683	1	HOSE ASSY	
16	56110684	1	HOSE ASSY	
17	56110685	1	HOSE ASSY	
18	56110686	1	HOSE ASSY	
19	56110687	1	HOSE ASSY	
20	56110688	1	HOSE ASSY	
22	56110690	1	HOSE ASSY	
23	56110691	1	HOSE ASSY	
24	56110692	1	HOSE ASSY	
25	56110693	1	HOSE ASSY	
26	56110694	1	HOSE ASSY	
27	56110695	1	HOSE ASSY	
29	56110697	1	HOSE ASSY	
31	56383873	1	HOSE ASSY-HYDRAULIC-3/8X109	
32	56110700	1	HOSE ASSY	
33	56383874	1	HOSE ASSY-HYDRAULIC-1/2X45	
34	56110702	1	HOSE ASSY	
35	56383875	1	HOSE ASSY-HYDRAULIC-3/8X45	
36	56110704	2	HOSE ASSY	
38	56110706	1	HOSE ASSY	
39	56110707	1	HOSE ASSY	
40	56110708	1	HOSE ASSY	
41	56110739	1	HOSE ASSY	
50		1	Fan Motor Assembly	
51		1	Reservoir Assy	
52		1	Steering Pump Assy	
53		1	Squeegee Cylinder Assy	
54		1	Hydraulic Motor Assy	
55		1	Drive Motor Assy	
56		1	Pump Assembly, Low Speed	
57		1	Valve Block Assy	
58		1	Cylinder Assembly, Steer	
59		1	Scrub Lift Cyl. Assy	
60		1	Oil Cooler Assy	
61		1	Intentionally Omitted	
62		1	Pump Assembly	
63	56111164	1	UNION CROSS	
64	56111165	2	END CAP FLARE TUBE	
65	56418744	2	LOCKNUT BULKHEAD E00598	
66	56418745	8	LOCKNUT BULKHEAD E00598	
68	56463427	1	SLEEVE 32 IN. NYLON	
69	56315257	1	CLAMP P	
70	56900404	2	ELBOW UNION 8 E00012	
71	56900906	2	TEST NIPPLE	
72	56900927	1	TEE BULKHEAD RUN	

# HYDRAULIC SYSTEM

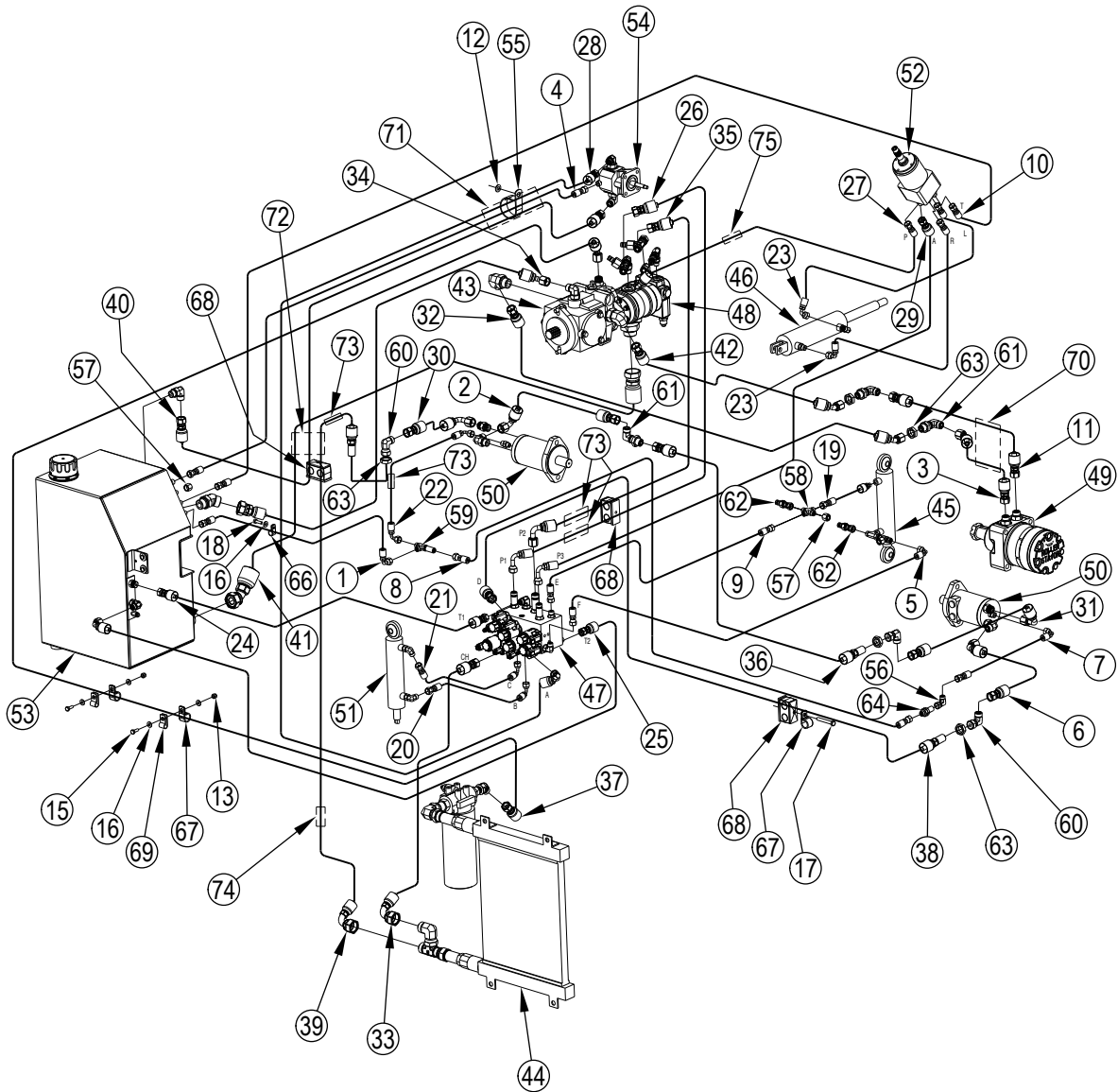
SC8000 1300 D NIL

2017.11.02

2014.07.18

---

<b>Pos.</b>	<b>Product no</b>	<b>QTY</b>	<b>Description</b>	<b>Notes</b>
73	56002139	4	WSH INT SHPRF 3/4	

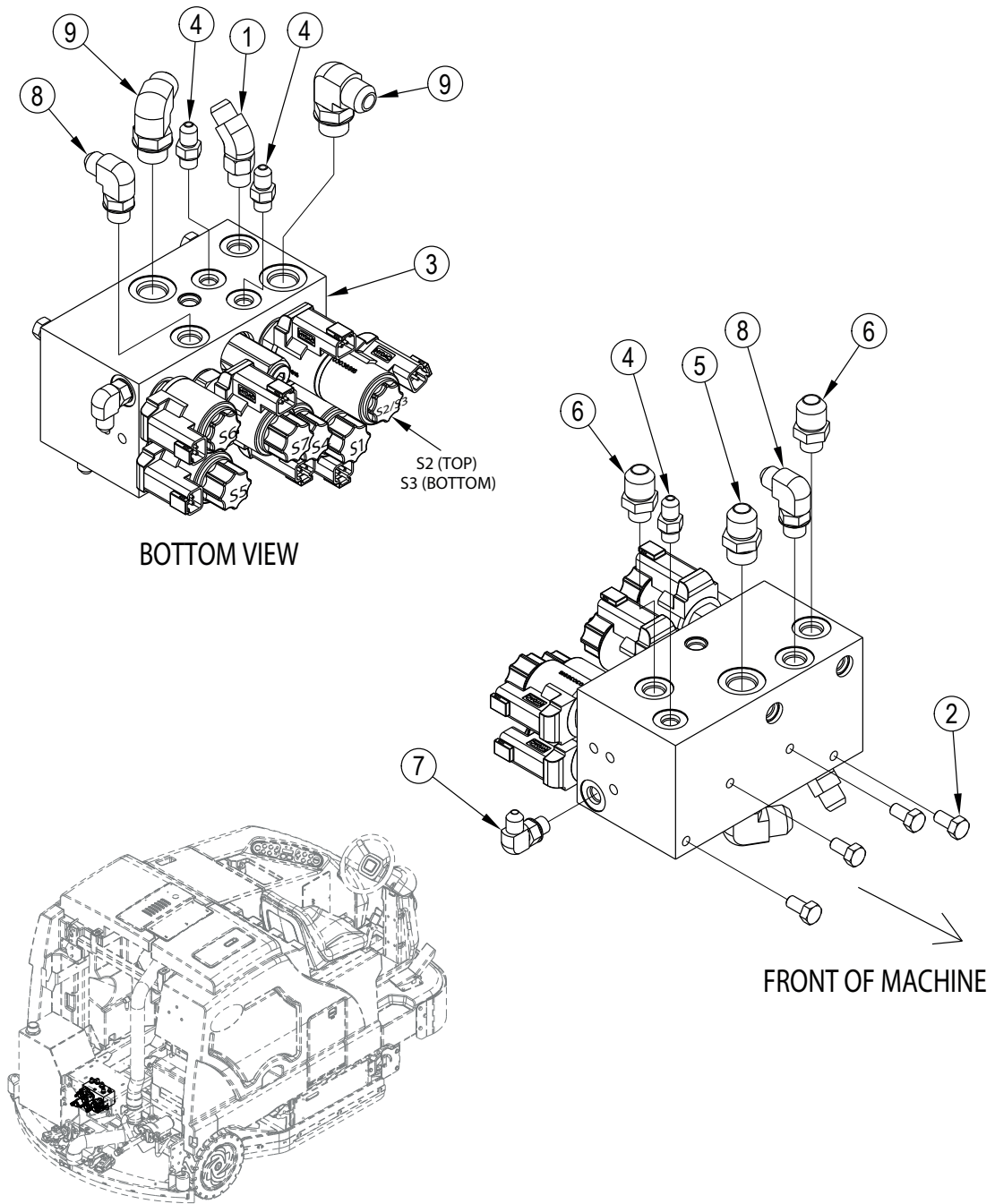


Pos.	Product no	QTY	Description	Notes
1	7-33-02225	1	HOSE HYD ORS 4 STR TO 90DG 38	
2	7-33-02260	1		
3	7-33-02325	1	HYD.HOSE8 ORS13/16-161-STRT	
4	7-33-02330	1	HOSE-HYD-A1-1A1-1A1-2540	[1]
5	7-33-02334	1	HYD HOSE - 4 ORS STR TO 90	
6	7-33-02450	1	HOSE 8 STR X 90 DEG 18 LG	[2]
7	8-33-02174	1	HOSE HYD 4 ORS STR TO 90	
8	8-33-02179	1	HOSE-HYD ORS4 STR ENDS 45	
9	8-33-02182	1	HOSE-HYD ORS4 STR ENDS 42.5	[1]
10	8-33-02277	1	HOSE-4X110.0-0-0-ORS.251WB	
11	8-33-02326	1	HOSE-HYD-8 X 34.5 0-0	
12	56002063	1	WSH FLT SAE 3/8	
13	56002491	2	NUT HEX NYL LOC SS 1/4-20	
15	56002807	2	SCR HEX SS 1/4-20 X .75	
16	56002859	5	WSH FLT SAE SS 1/4	
17	56002420	1	SCR HEX 5/16-18 X 2.25	
18	56003844	1	SCR-HEX SS 1/4-20 X .88	
19	56108227	1	HOSE-HYD-A1-1A1-EA1-140	
20	56108228	1	HOSE-HYD-A1-1A1-1C1-254	
21	56108229	1	HOSE-HYD-A1-1A1-1C1-330	
22	56108230	1	HOSE-HYD-A1-1C1-1C1-660	
23	56108231	2	HOSE-HYD-A1-1A1-1C1-1473	
24	56108232	1	HOSE-HYD-A3-1A3-1A3-318	
25	56108233	1	HOSE-HYD-A3-1A3-1C3-292	
26	56108234	1	HOSE-HYD-A3-1A4-1P3-1143	
27	56108235	1	HOSE-HYD-A3-1A1-1C3-2007	
28	56108236	1	HOSE-HYD-C3-1A3-1C3-2578	
29	56108237	1	HOSE-HYD-A3-1A3-1P3-2769	
30	56108238	1	HOSE-HYD-C4-1A4-1P4-178	
31	56108239	1	HOSE-HYD-C4-1A4-1P4-210	
32	56108240	1	HOSE-HYD-C4-1A4-1B4-533	
33	56108241	1	HOSE-HYD-C4-1A4-1A6-711	
34	56108242	1	HOSE-HYD-A4-1A6-1B4-813	
35	56108243	1	HOSE-HYD-A4-1A4-1P4-1143	
36	56108244	1	HOSE-HYD-C4-1A4-HA4-1257	
37	56108245	1	HOSE-HYD-A4-1A4-1B4-1575	
38	56108246	1	HOSE-HYD-C4-1A4-HA4-1969	
39	56108247	1	HOSE-HYD-C4-1C6-HA4-2337	
40	56108248	1	HOSE-HYD-C4-1A4-1A4-2743	
41	56108249	1	HOSE-HYD-D7-1A7-1B7-1105	
42	56108254	1	HOSE-HYD-C4-1A4-1B4-635	
43		1	Hydraulic Pump Assembly	
44		1	Oil Cooler Assy	
45		1	Scrub Lift Cyl Assy	
46		1	Steering Cylinder Assembly	
47		1	Valve Block Assembly	
48		1	Pump Assembly-Low Speed	
49		1	Drive Motor Assy	
50		2	Hydraulic Motor Assy	
51		1	Squeegee Cylinder Assembly	
52		1	Steering Pump Assy	
53		1	Reservoir Assy	
54		1	Fan Motor Assembly	
55	56315257	1	CLAMP P	
56	2-00-05545	1	FTG-4 ORS SWIVEL ELBOW 90 DEG	
57	56394082	2	FTG-CAP-4FSWORFS	
58	56394083	1	FTG-UNION CROSS-4MORFS	
59	56394085	1	FTG-BKHD RUN TEE-4MORFS	
60	2-00-05046	3	HYDRAULIC FITTING-8-ORS90	

Pos.	Product no	QTY	Description	Notes
61	56394088	3	FTG-BKHD 90-8MORFS	
62	56394089	2	FTG-NIPPLE-TEST PORT-4FORFS	
63	56394092	5	LOCKNUT-BULKHEAD	
64	56394128	1	FTG-BKHD STR-4MORFS	
66	56486112	1	CLAMP P	
67	56496276	3	CLAMP HOSE SUPPORT	
68	56507218	3	CLAMP-HOSE-TWIN-20MM	
69	56385491	2	CLAMP-P-.50 DIA G S	
70	56463427	1	SLEEVE 32 IN. NYLON	
71	56462977	1	SLEEVE 24 IN. NYLON	
72	56108278	1	SLEEVE-NYLON-3.63IN ID X 18IN	
73	56508975	4	WRAP-SPIRAL-5/8IN DIA X 6IN	
74	56508978	1	WRAP-SPIRAL-5/8IN DIA X 30IN	
75	56508977	1	WRAP-SPIRAL-5/8IN DIA X 16IN	
76		11	Oil-Hydraulic	

Part Notes:

- [1] - GUARANTEE DATE EXPIRED
- [2] - Closed. SEE MI-SP-007



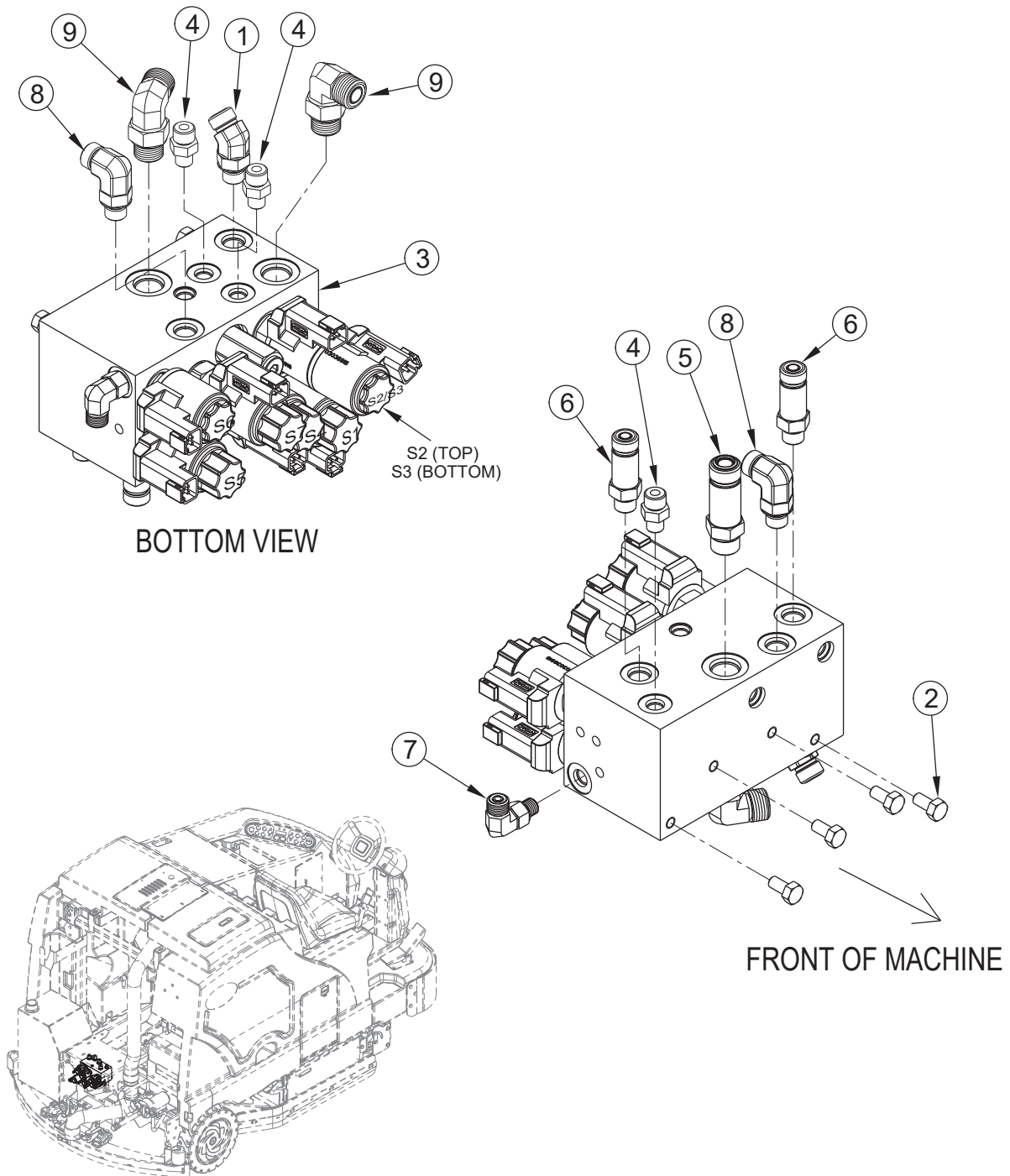
# HYDRAULIC VALVE BLOCK ASSY

SC8000 1300 D NIL

2017.11.02

2013.08.12

Pos.	Product no	QTY	Description	Notes
1	56900153	1	ELBOW 45 DEG.O/R -6 E00004	
2	56002929	4	SCR HEX LOC 5/16-18 X .62	
3	56110271	1	VALVE BLOCK HYDRAULIC	
3	56110717	1	CARTRIDGE REPLACEMENT DUAL	
3	56110718	1	CARTRIDGE REPLACEMENT 2 WAY	
3	56110719	1	CARTRIDGE REPLACEMENT	
3	56110720	1	PROPORTIONAL VALVE REPLACEMENT	
3	56110721	1	PROP/REL VALVE REPLACEMENT	
3	56419397	1	RELIEF VALVE CARTRIDGE	
3	56111194	1	RELIEF CARTRIDGE	
3	56110712	1	COIL REPLACEMENT	
3	56110716	1	COIL REPLACEMENT PROP	
3	56305348	1	SEAL KIT DOUBLE	
3	56305354	1	SEAL KIT	
3	56111198	1	SEAL KIT	
3	56305349	1	SEAL KIT	
3	56305822	1	SEAL KIT	
4	56900001	3	CONNECTOR O-RING-4 E00001	
5	56900004	1	CONNECTOR O/R -8 E00001	
6	56900020	2	CONNECTOR O/R -8-6 E00001	
7	56900101	1	ELBOW 90 DEG.O/R -4 E00003	
8	56900103	2	ELBOW 90 DEG O/R -6 E00003	
9	56900104	2	ELBOW 90 DEG.O/R -8 E00003	



# HYDRAULIC VALVE BLOCK ASSY-ORFS

SC8000 1300 D NIL

2019.05.27

2019.05.27

Pos.	Product no	QTY	Description	Notes
1	2-00-05313	1	FITTING HYDRAULIC	
2	56002929	4	SCR HEX LOC 5/16-18 X .62	
3	56110271	1	VALVE BLOCK HYDRAULIC	
	56110717	2	CARTRIDGE REPLACEMENT DUAL	
	56110718	1	CARTRIDGE REPLACEMENT 2 WAY	
	56110719	2	CARTRIDGE REPLACEMENT	
	56110720	1	PROPORTIONAL VALVE REPLACEMENT	
	56110721	1	PROP/REL VALVE REPLACEMENT	
	56419397	1	RELIEF VALVE CARTRIDGE	
	56111194	1	RELIEF CARTRIDGE	
	56110712	5	COIL REPLACEMENT	
	56110716	2	COIL REPLACEMENT PROP	
	56305348	1	SEAL KIT DOUBLE	
	56305354	3	SEAL KIT	
	56111198	2	SEAL KIT	
	56305349	1	SEAL KIT	
	56305822	1	SEAL KIT	
4	2-00-04895	3	STRAIGHT THREAD FITTING	
5	56394127	1	FTG-STR EX-8MORFS-8MORB	
6	2-00-05441	2	3/8 ORS MALE X 3/8 BOSS	[1]
7	2-00-04892	1	HYD. ADAPTER-SAE TO OR 90 EL	
8	2-00-05435	2	HYD.FITTING 90DEG ELBOW 3/8 OD	[2]
9	2-00-04885	2	HYD.FITTING SAE TO OR 90 EL	

**Part Notes:**

- [1] - EXPIRED 2/7/2008
- [2] - GUARANTEE DATE EXPIRED



# LADDER DIAGRAM - DIESEL

SC8000 1300 D NIL

2017.11.02

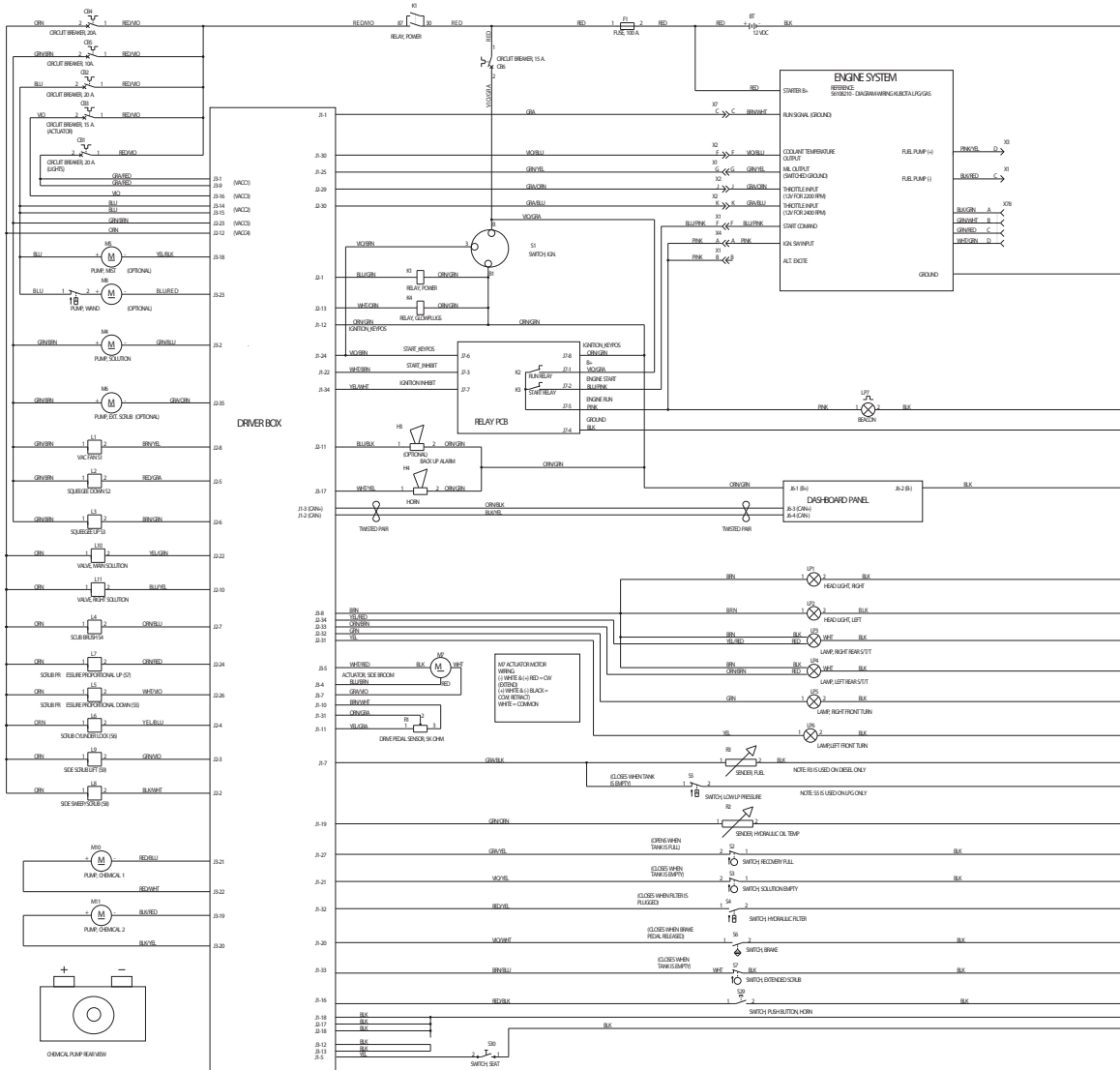
2013.08.13

Pos.	Product no	QTY	Description	Notes
		1	Driver Box	
	56381129	1	DASHBOARD PANEL ASSEMBLY	
	56508400	1	CONTROLLER-THROTTLE	
	56110530	1	RELAY PCB ASSY	
BT		1	Battery 12V	
CB1	56413822	1	CIRCUIT BREAKER 20 AMP	
CB2	56413822	1	CIRCUIT BREAKER 20 AMP	
CB3	56413407	1	CIRCUIT BREAKER 15 AMP	
CB4	56413822	1	CIRCUIT BREAKER 20 AMP	
CB5	56507644	1	CIRCUIT BREAKER 10 AMP	
CB6	56413407	1	CIRCUIT BREAKER 15 AMP	
D2		1	Diode	
D3		1	Diode	
E1		1	Glow Plug	
E2		1	Glow Plug	
E3		1	Glow Plug	
E4		1	Glow Plug	
F1	56111123	1	FUSE 100A	
G2	56110738	1	ALTERNATOR 105 AMP	
H3	56409232	1	BACK-UP ALARM	
H4	56442054	1	HORN - 12 VDC	
K1	56110423	1	RELAY SPST 12V 75A	
K2		1	Relay, Run	
K3		1	Relay, Start	
K4	56110423	1	RELAY SPST 12V 75A	
L1		1	Vacuum Fan Valve, S1	
L2		1	Squeegee Down Valve, S2	
L3		1	Squeegee Up Valve, S3	
L4		1	Scrub Brush Valve, S4	
L5		1	Scrub Pressure Proportional Down Valve, S5	
L6		1	Scrub Cylinder Lock Valve, S6	
L7		1	Scrub Pressure Proportional Up Valve, S7	
L8		1	Side Sweep/Scrub Valve, S8	
L9		1	Side Scrub Lift Valve, S9	
L10	56305103	1	SOLENOID VALVE ASSEMBLY	[1]
L11	56110464	1	SOLENOID VALVE ASSY	
LP1	56110437	1	HEAD LIGHT ASSY RH	
	56507224	1	BULB 12V 50W	
LP2	56110436	1	HEAD LIGHT ASSY LH	
	56507224	1	BULB 12V 50W	
LP3	56507112	1	LIGHT RED ROUND STOP	
LP4	56507112	1	LIGHT RED ROUND STOP	
LP5	56507112	1	LIGHT RED ROUND STOP	
LP6	56507112	1	LIGHT RED ROUND STOP	
LP7	56307166	1	BEACON ASSEMBLY	
	56109521	1	FLASHTUBE REPLACEMENT	[2]
	56109723	1	FLASHTUBE REPLACEMENT	
M3	56419089	1	STARTER MOTOR	
M4	56111387	1	PUMP ASSY 12VDC 60PSI	[3]
M5	56507851	1	PUMP 24 VDC	
M6	56111387	1	PUMP ASSY 12VDC 60PSI	[3]
M7	56305008	1	ACTUATOR MOTOR	
M8	56111671	1	PUMP ASSY 12VDC 60PSI SWITCH	
M10	56110742	1	PUMP DETERGENT 12V	
M11	56110742	1	PUMP DETERGENT 12V	
M14	56508355	1	FUEL PUMP ELECTRONIC	[4]
R1	56305129	1	ROTARY SENSOR	
R2	56305873	1	SENDER TEMPERATURE	
R3	56478358	1	SENDER FUEL LEVEL RE437A	

Pos.	Product no	QTY	Description	Notes
S1	56111109	1	KEY SWITCH ASSEMBLY	
	56303526	1	KEY REPLACEMENT SET OF 2	[5]
S2	56110561	1	SWITCH LIQUID LEVEL	
S3	56413669	1	SWITCH LIQUID LEVEL	
S4		1	Switch, Hydraulic Filter	
S6	56305053	1	SENSOR PROXIMITY	
S7	56111270	1	SWITCH ASSY FLOAT	
S9	56419091	1	SWITCH TEMPERATURE	
S28	56305098	1	ENGINE OIL PRESSURE SWITCH	
S29	8-82-00024	1	HORN PUSH BUTTON	
S31	7-82-00050	1	SWITCH SEAT	

## Part Notes:

- [1] - TSB-FC-2015-023-Various Machines -Clean water leaking from machine when
- [2] - (for 56307166 manufactured by Speaker or ECCO)
- [3] - TSB-FC-2013-135 56111342 Solution Pump
- [4] - Shipped with the engine.
- [5] - for 56303553



# LADDER DIAGRAM - LPG

SC8000 1300 D NIL

2017.11.02

2013.08.13

Pos.	Product no	QTY	Description	Notes
		1	Engine System	
		1	Driver Box	
	56381129	1	DASHBOARD PANEL ASSEMBLY	
	56110530	1	RELAY PCB ASSY	
BT		1	Battery 12V	
CB1	56413822	1	CIRCUIT BREAKER 20 AMP	
CB2	56413822	1	CIRCUIT BREAKER 20 AMP	
CB3	56413407	1	CIRCUIT BREAKER 15 AMP	
CB4	56413822	1	CIRCUIT BREAKER 20 AMP	
CB5	56507644	1	CIRCUIT BREAKER 10 AMP	
CB6	56413407	1	CIRCUIT BREAKER 15 AMP	
F1	56111123	1	FUSE 100A	
H3	56409232	1	BACK-UP ALARM	
H4	56442054	1	HORN - 12 VDC	
K1	56110423	1	RELAY SPST 12V 75A	
K2		1	Relay, Run	
K3		1	Relay, Start	
L1		1	Vacuum Fan Valve, S1	
L2		1	Squeegee Down Valve, S2	
L3		1	Squeegee Up Valve, S3	
L4		1	Scrub Brush Valve, S4	
L5		1	Scrub Pressure Proportional Down Valve, S5	
L6		1	Scrub Cylinder Lock Valve, S6	
L7		1	Scrub Pressure Proportional Up Valve, S7	
L8		1	Side Sweep/Scrub Valve, S8	
L9		1	Side Scrub Lift Valve, S9	
L10	56305103	1	SOLENOID VALVE ASSEMBLY	[1]
L11	56110464	1	SOLENOID VALVE ASSY	
LP1	56110437	1	HEAD LIGHT ASSY RH	
	56507224	1	BULB 12V 50W	
LP2	56110436	1	HEAD LIGHT ASSY LH	
	56507224	1	BULB 12V 50W	
LP3	56507112	1	LIGHT RED ROUND STOP	
LP4	56507112	1	LIGHT RED ROUND STOP	
LP5	56507112	1	LIGHT RED ROUND STOP	
LP6	56507112	1	LIGHT RED ROUND STOP	
LP7	56307166	1	BEACON ASSEMBLY	
	56109521	1	FLASHTUBE REPLACEMENT	[2]
	56109723	1	FLASHTUBE REPLACEMENT	
M4	56111387	1	PUMP ASSY 12VDC 60PSI	[3]
M5	56507851	1	PUMP 24 VDC	
M6	56111387	1	PUMP ASSY 12VDC 60PSI	[3]
M7	56305008	1	ACTUATOR MOTOR	
M8	56111671	1	PUMP ASSY 12VDC 60PSI SWITCH	
M10	56110742	1	PUMP DETERGENT 12V	
M11	56110742	1	PUMP DETERGENT 12V	
R1	56305129	1	ROTARY SENSOR	
R2	56305873	1	SENDER TEMPERATURE	
S1	56111109	1	KEY SWITCH ASSEMBLY	
*	56303526	1	KEY REPLACEMENT SET OF 2	[4]
S2	56110561	1	SWITCH LIQUID LEVEL	
S3	56413669	1	SWITCH LIQUID LEVEL	
S4		1	Switch, Hydraulic Filter	
S5	56418381	1	SWITCH N C PRESSURE	
S6	56305053	1	SENSOR PROXIMITY	
S7	56111270	1	SWITCH ASSY FLOAT	
S29	8-82-00024	1	HORN PUSH BUTTON	
S30	7-82-00050	1	SWITCH SEAT	

**Part Notes:**

- [1] - TSB-FC-2015-023-Various Machines -Clean water leaking from machine when
- [2] - (for 56307166 manufactured by Speaker or ECCO)
- [3] - TSB-FC-2013-135 56111342 Solution Pump
- [4] - for 56303553

## OPTIONAL KITS & ACCESSORIES

Resource notes:

NOTE 1: All squeegee blade kits include both front and rear squeegee blades.

NOTE 2: All Deck Blade Kits include 4 side skirt blades (2 for each side skirt) plus 2 splash shield blades (1 for each end of the scrub deck).

NOTE 3: Right Scrub Blade Kits include 2 blades, one inside and one outside blade.

# OPTIONAL KITS & ACCESSORIES

SC8000 1300 D NIL

2017.11.02

2019.08.06

Pos.	Product no	QTY	Description	Notes
			Kits: Replacement parts for the kits listed above can be found on each kit's associated instruction sheet.	
	56305896	1	SOLUTION FULL SHUTOFF KIT	
	56111535	1	DELUXE SEAT KIT	
	56110300	1	OVERHEAD GUARD KIT	
	56111259	1	EXTENDED SCRUB KIT	
	56108131	1	ECOFLEX CHEMICAL KIT EU	
	56110730	1	VAC WAND KIT	
	7-03-04250	1	ARM REST RH ONLY	
	7-03-04249	1	ARM REST LH & RH	
	56383455	1	SEAT BELT KIT- STANDARD SEAT	
	56111280	1	RECOVERY TANK CLEAN OUT KIT	
	56111346	1	KIT WASH HOSE	
	56111317	1	BRAKE/SIGNAL LIGHT KIT	
	56111107	1	REAR BUMPER KIT	
	56510605	1	FIRE EXTINGUISHER KIT	
	56111265	1	OVERHEAD GUARD BEACON KIT	
	56111267	1	OVERHEAD GUARD CANOPY KIT	
	56111733	1	KIT HORN SWITCH	
	56601410	1	DRAIN HOSE EXTENSION	
	56111848	1	ROLLER BUMPER KIT	
	56111873	1	FOOT GUARD KIT	
	56108224	1	MOTOR KIT-HYD-TRACTION DRIVE	
			Squeegee Blade Kits	
	56111650	1	BLADE KIT-SQGEE-LINATEX-H	[1]
	56413642	1	BLADE-SQGEE-LINATEX-RR-H	[2]
	56111652	1	BLADE KIT-SQUEEG GUM RUBBER H	[1]
	56413710	1	BLADE SQUEEGEE GUM RR H	[3]
	56111203	1	BLADE KIT SQUEEGEE-POLYURETHAN	[1]
	56111205	1	BLADE REAR SQ PU H 63	[4]
			Main Scrub Deck Options	
	56110013	1	BRUSH CYL 48 MIDLITE 180	
	56110012	1	BRUSH CYL 48 DYNA GRIT 80	
	56110011	1	BRUSH CYL 48 PROLENE	
	56111206	1	BLADE KIT MAIN SCRUB-LINATEX	[5]
	56111207	1	BLADE KIT MAIN SCRUB-GUM RUB	[5]
	56111210	1	BLADE KIT MAIN SCRUB-POLYURETH	[5]
			Right Scrub Head Options	
	56111635	1	BLADE KIT-RT SCRUB-LINATEX	[6]
	56111636	1	BLADE KIT-RT SCRUB-GUM	[6]
	56111637	1	BLADE KIT OPT SCRUB PU	[6]
	56505832	1	DISC BRUSH-16 DYNAGRIT 3 LUG	
	56505834	1	DISC BRUSH-16 PROLENE 3 LUG	
	56505838	1	DISC BRUSH-16 MIDLITE 3 LUG	
			Dual Sweep Head Options	
	56477812	2	BROOM SIDE H. DUTY	
	56505629	2	BROOM-SIDE WHITE CRIMPED	
			Accessories	
	56044641	1	LITERATURE PACK	

## Part Notes:

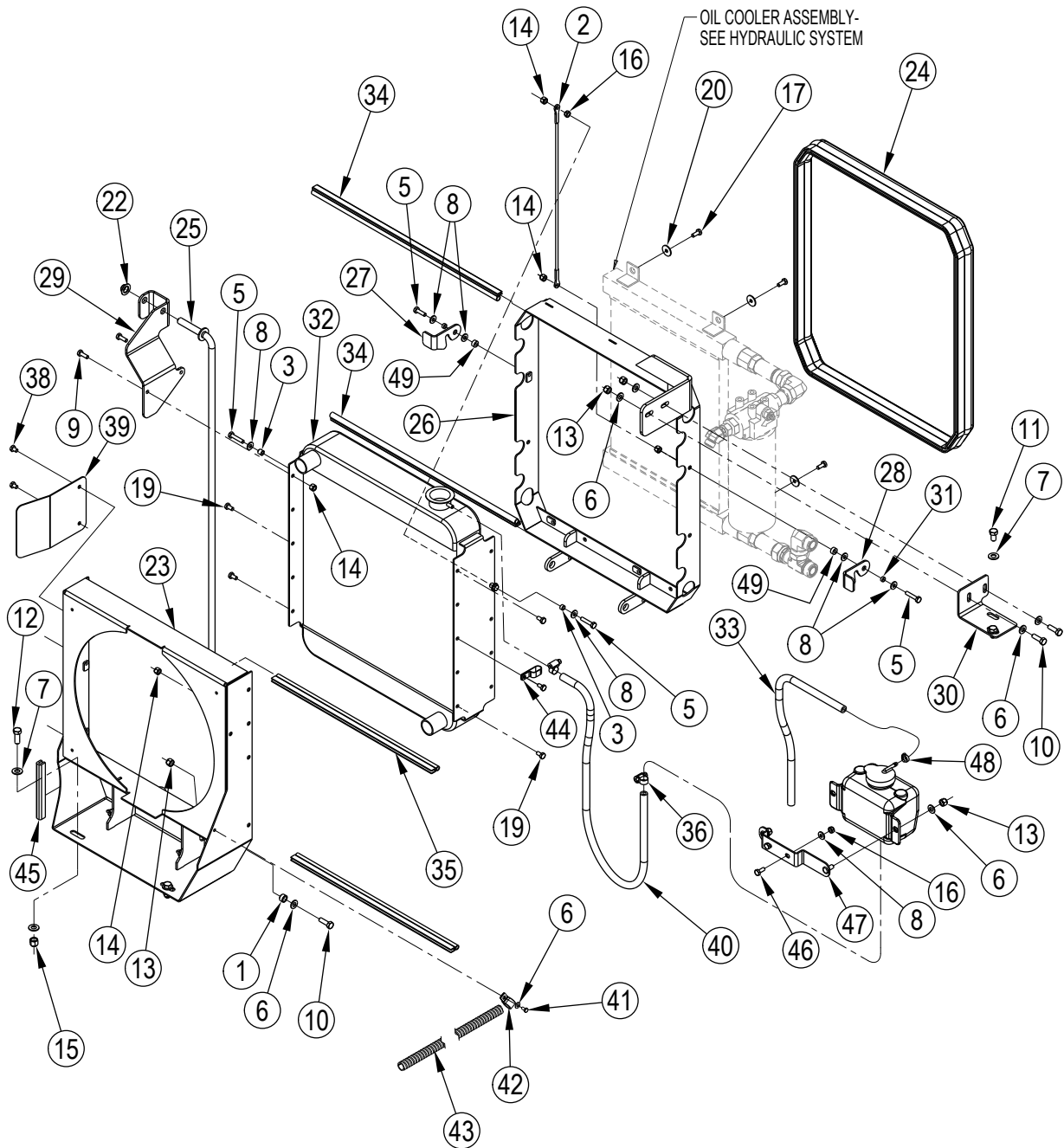
- [1] - All squeegee blade kits include both front and rear squeegee blades.
- [2] - included with 56111650
- [3] - included with 56111652
- [4] - included with 56111203)
- [5] - All Deck Blade Kits include 4 side skirt blades (2 for each side skirt) plus 2 splash shield blades (1 for each end of the scrub deck).
- [6] - Right Scrub Blade Kits include 2 blades, one inside and one outside blade.

# RADIATOR ASSY

SC8000 1300 D NIL

2019.07.18

2019.08.06



# RADIATOR ASSY

SC8000 1300 D NIL

2019.07.18

2019.08.06

Pos.	Product no	QTY	Description	Notes
1	56232181	2	BUSHING .37X.56X.31FC218J	
2	56108194	1	CABLE	
3	56151106	2	BUSHING .25X.37X.34G31J	
5	56001878	4	SCR HEX 1/4-20 X 1.25	
6	56001939	8	WSH FLT SAE 5/16	
7	56002063	10	WSH FLT SAE 3/8	
8	56002098	8	H FLT SAE 1/4	
9	56002155	2	SCR HEX 1/4-20 X .75	
10	56002221	4	SCR HEX 5/16-18 X 1.00	
11	56002234	2	SCR HEX 3/8-16 X .62	
12	56002663	4	SCR HEX 3/8-16 X 1.00	
13	56002701	6	NUT HEX NYL LOC 5/16-18	
14	56002708	5	NUT HEX NYL LOC 1/4-20	
15	56002769	4	NUT HEX NYL LOC 3/8-16	
16	56002840	3	NUT HEX NYL LOC-THIN 1/4-20	
17	56002922	4	SCR HEX LOC 1/4-20 X .62	
19	56003039	5	SCR HEX LOC 1/4-20 X .50	
20	56009002	4	WASHER FLAT .266X.906X.060	
22	56009097	1	NUT PUSH CAP 1/2	
23	56110242	1	FAN SHROUD WELDMENT	
24	56110656	1	GASKET RADIATOR	
25	56110966	1	PROP ROD WELDT	
26	56111233	1	OIL COOLER MNT WELDT	
27	56111237	1	LATCH OIL COOLER-RT	
28	56111238	1	LATCH OIL COOLER-LT	
29	56111245	1	BRACKET HOOD PROP	
30	56111971	1	BRACKET-OIL FILTER	
31	56163872	2	BUSHING .25X.37X.16PM6H	
32	56305316	1	RADIATOR	
	56456431	1	CAP RADIATOR	[1]
33	56305443	1	HOSE	
34	56305502	2	TRIM-SEAL	
35	56418955	2	GASKET	
36	56756364	2	CLAMP HOSE SAE 4 E00047	
37	56394241	1	BOTTLE-OVERFLOW	[2]
38	56009019	2	SCR HEX THD FORM 1/4-20X .38	
39	56111735	1	PLATE SHIELD	
40	56108205	1	HOSE	
41	56009033	1	SCR HEX THD FORM 1/4-20X.50	
42	56496276	1	CLAMP HOSE SUPPORT	
43	56108211	1	CONDUIT BLACK .75	
44	56004073	1		
45	56507905	1	TRIM-EDGE-.18X5.25	
46	56001836	2	SCR HEX 1/4-20 X .62	
47	56394242	1	BRACKET-OVERFLOW BOTTLE	
48	56384956	1	CLAMP-HOSE	
49	56265782	2	BUSHING-.26X.50X.25 LONG	

**Part Notes:**

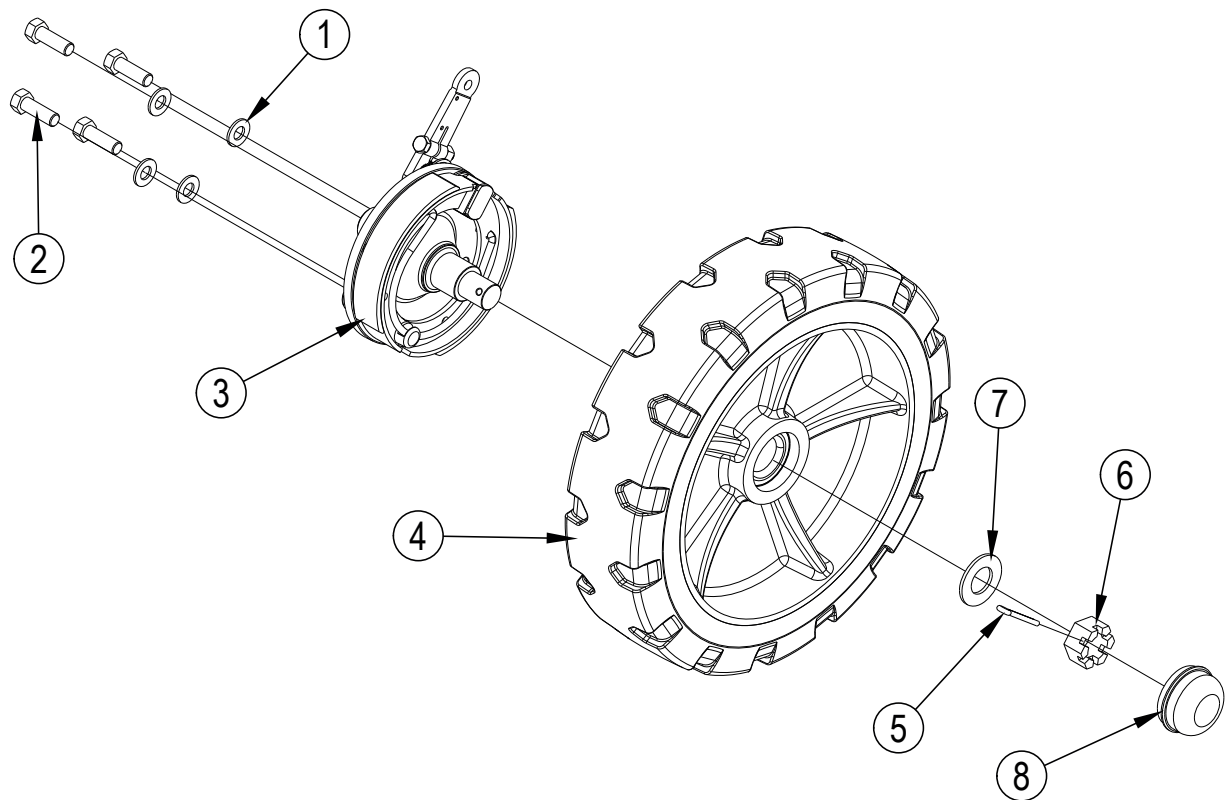
- [1] - Optional, Not Included
- [2] - To replace the older style overflow bottle (7-07-02002) order kit 56394319.

# REAR WHEEL SYSTEM

SC8000 1300 D NIL

2017.11.02

2017.09.05



# REAR WHEEL SYSTEM

SC8000 1300 D NIL

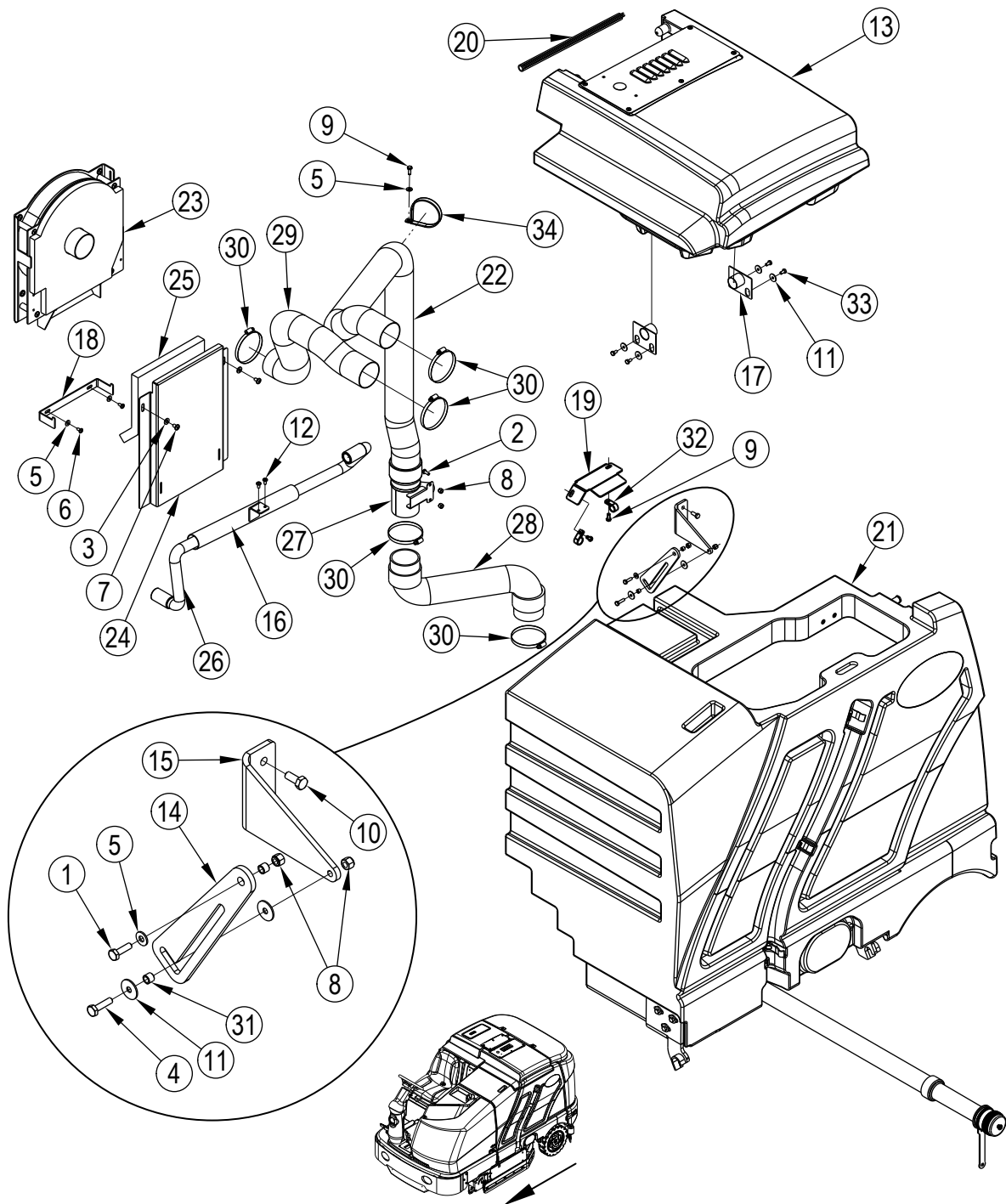
2017.11.02

2017.09.05

Pos.	Product no	QTY	Description	Notes
1	56001879	8	WSH FLT SAE 1/2	
2	56003778	8	SCR HEX LOC 1/2-20 X 1.50 GR 8	
3	56109728	2	ASSEMBLY-SPINDLE-BRAKE	
	56384006	1	BRAKE SPRING KIT	
	56510762	2	BRAKE SHOE KIT	
4	56383402	2	WHEEL-MOLD-ON 16.2X4	[1]
	56509532	1	BEARING-WHEEL	[2]
	56509533	1	RING-SNAP	[3]
	56383550	2	WHEEL-MOLDON-PU 16.2-4	
5	2-00-02436	2	PIN-COTT.188 DIA X 1.75 STL ZN	
6	2-00-05026	2	NUT-HEX-SLOT FIN. ZN	
7	56004012	2	WSH-FLT 18-8 SS-1.062X2X.13	
8	8-11-00030	2	CAP	

## Part Notes:

- [1] - TSB-FC-2013-124 CS7000 and ER1300-1600 Tire Flat Spotting  
 TSBFC 2013-124 CS7000 und ER1300-1600 and SC 8000 Standplatten am Reifen
- [2] - (for 56383402)
- [3] - TSB-FC-2013-124 CS7000 and ER1300-1600 Tire Flat Spotting  
 TSBFC 2013-124 CS7000 und ER1300-1600 and SC 8000 Standplatten am Reifen  
 (for 56383402)



# RECOVERY SYSTEM - 1

SC8000 1300 D NIL

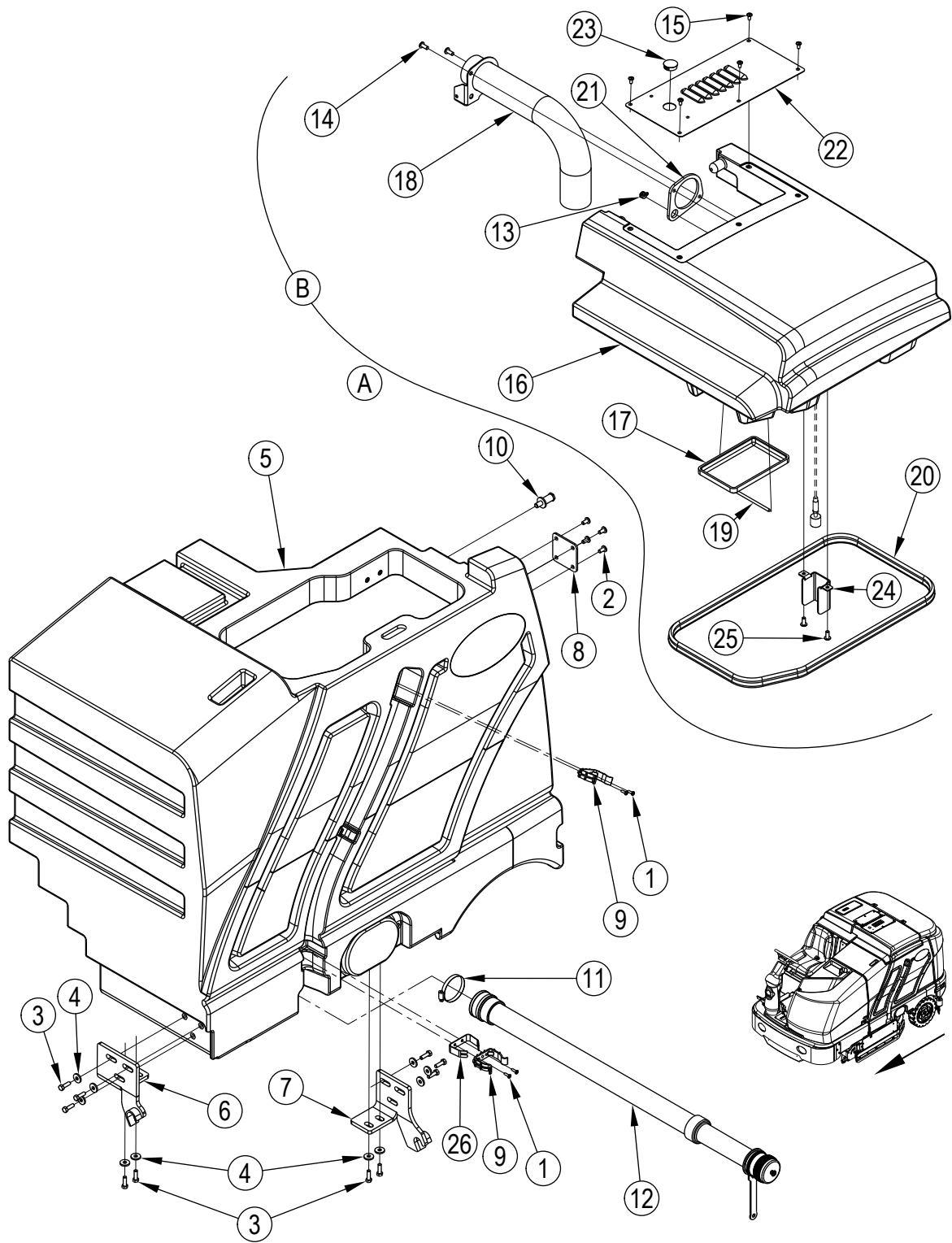
2019.07.18

2019.08.06

Pos.	Product no	QTY	Description	Notes
1	56001821	1	SCR HEX 1/4-20 X .88	
2	56001836	2	SCR HEX 1/4-20 X .62	
3	56001939	2	WSH FLT SAE 5/16	
4	56002093	1	SCR HEX 1/4-20 X 1.00	
5	56002098	4	H FLT SAE 1/4	
6	56002145	2	SCR PAN PHIL 1/4-20 X .50	
7	56002281	2	SCR PAN PHIL 5/16-18 X .50	
8	56002708	4	NUT HEX NYL LOC 1/4-20	
9	56009018	3	SCR HEX THD FORM 1/4-20X .75	
10	56002956	2	SCR HEX LOC 5/16-18 X .75	
11	56009002	6	WASHER FLAT .266X.906X.060	
12	56009062	2	SCR PAN PHIL THD FORM1/4-20X.5	
13		1	Cover Assembly, Recovery Tank	[1]
14	56110571	1	PROP REC. TANK COVER	
15	56111954	1	BRACKET-PROP	
16	56110667	1	TUBE WELDMENT	
17	56111952	2	HINGE SUPPORT WELDT	
18	56110867	1	BRACKET PANEL MOUNTING	
19	56111953	1	PLATE-TUBE SUPPORT	
20	56110912	1	GASKET	
21	56111078	1	RECOVERY TANK ASSEMBLY	[1]
22	56111089	1	HOSE ASSY CUFFED 3.00	
23	56111549	1	VAC FAN ASSY	[2]
24	56111559	1	PANEL WELDT	
25	56111568	1	SOUND FOAM	
26	56111772	1	HOSE ASSY CUFFED 1.00	
27	56111774	1	TUBE WELDMENT	
28	56305377	1	HOSE ASSEMBLY	
29	56331332	1	HOSE-VAC-3.00 X 31.25	
30	56352829	5	CLAMP HOSE SAE 52 E00047	
31	56368989	2	BUSHING .25X.37X.30CV82G	
32	56486112	2	CLAMP P	
33	56003039	4	SCR HEX LOC 1/4-20 X .50	
34	56108256	1	CLAMP-P-3.25 DIA	

Part Notes:

- [1] - RECOVERY SYSTEM - 2
- [2] - VAC FAN ASSY



# RECOVERY SYSTEM - 2

SC8000 1300 D NIL

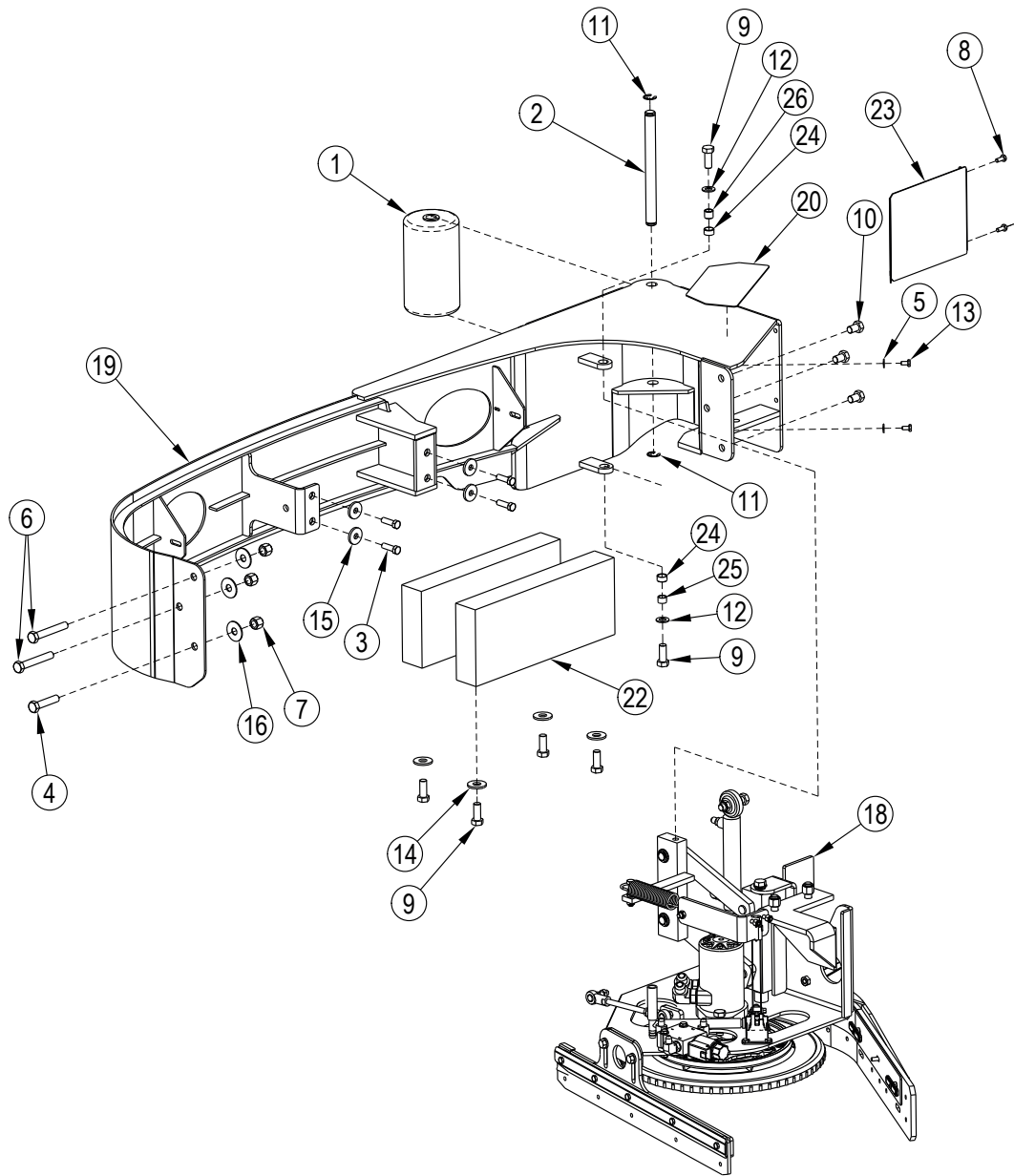
2019.07.18

2019.08.06

Pos.	Product no	QTY	Description	Notes
A	56111078	1	RECOVERY TANK ASSEMBLY	[1]
1	56002896	6	SCR PAN PHIL SS 10-24 X .62	
2	56003003	4	SCR PAN PHIL 5/16-18X.62	
3	56003073	10	SCR HEX LOC 5/16-18 X 1.00	
4	56009122	10	WSH FLT .344X.938X.125	
5	56110390	1	TANK RECOVERY	
6	56111903	1	FRONT PIVOT WELDT	
7	56111904	1	REAR PIVOT WELDT	
8	56111905	1	TETHER MOUNT WELDT	
9	56212236	3	CLAMP PLASTIC	
10	56304864	1	PIN SLAM LOCK	
11	56456797	1	CLAMP HOSE	
12	56384881	1	HOSE-DRAIN-PU-2.00 X 41.0	
26	56385477	1	CLIP-SPRING	
	56601410	1	DRAIN HOSE EXTENSION	[2]
B		1	Cover Assembly, Recovery Tank (items 13-25)	
13	56201596	1	STRAIN RELIEF	
14	56003014	2	SCR PAN PHIL SS 5/16-18 X .75	
15	56009069	5	SCR PAN PHIL LOC 1/4-20X.50	
16	56110455	1	COVER RECOVERY TANK	
17	56110560	1	SCREEN RECOVERY TANK	
18	56110562	1	TUBE WELDMENT	
19	56110579	1	PIN FILTER	
20	56110580	1	GASKET	
21	56110581	1	GASKET	
22	56110637	1	COVER	
23	56111444	1	BUTTON PLUG-1.25	
24	56111737	1	SWITCH SHIELD	
25	56003119	2	SCR PAN PHIL SS 1/4-20 X .50	

**Part Notes:**

- [1] - (items 1-12, 26)
- [2] - Optional, Not Included



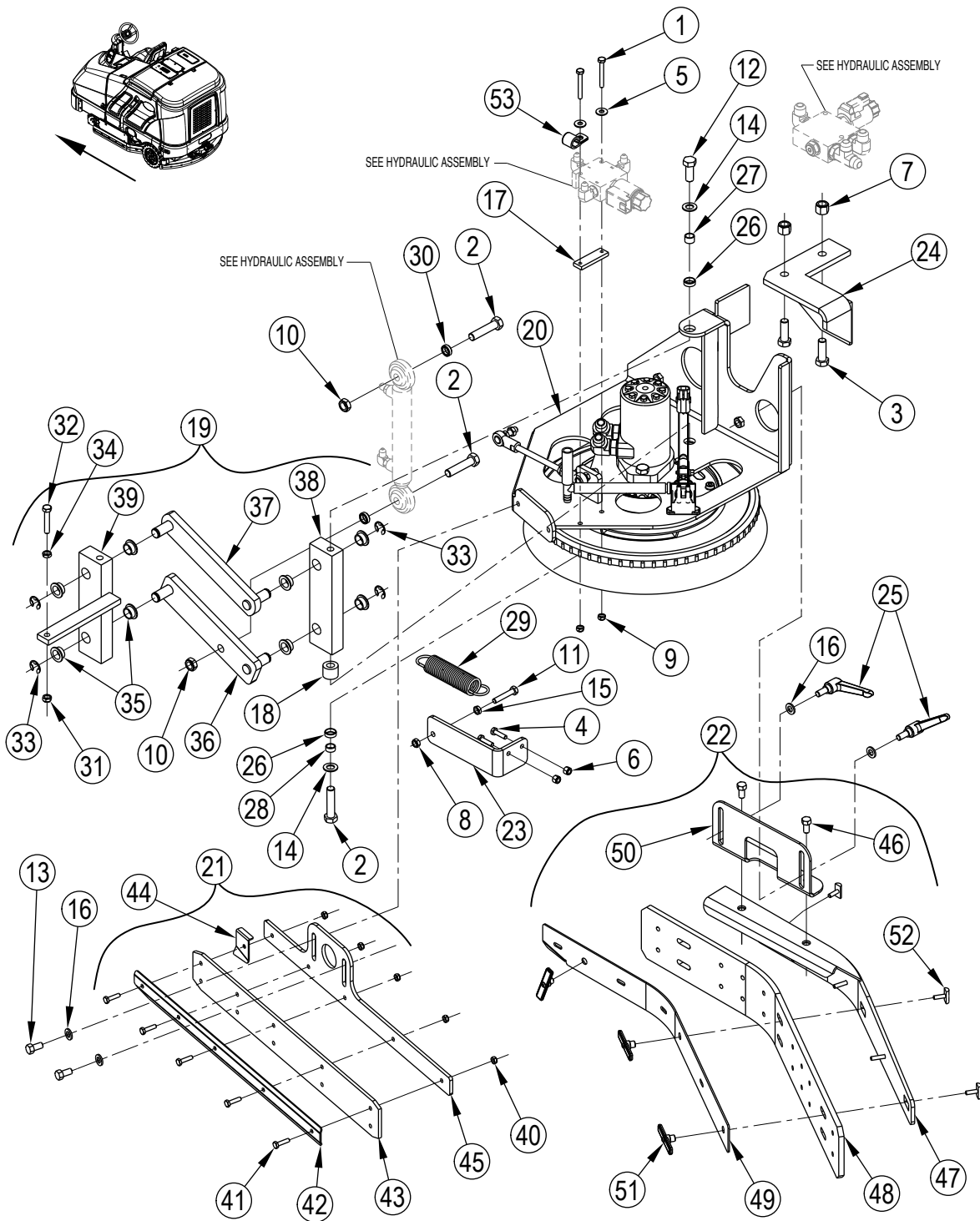
# RIGHT SCRUB SYSTEM - 1

SC8000 1300 D NIL

2017.11.02

2013.08.13

Pos.	Product no	QTY	Description	Notes
1	56409335	1	BUMPER ROLLER	
2	56409336	1	PIN	
3	56001858	4	SCR HEX 3/8-16 X 1.25	
4	56001920	1	SCR HEX 1/2-13 X 2.25	
5	56002098	2	H FLT SAE 1/4	
6	56002116	2	SCR HEX 1/2-13 X 3.25	
7	56002770	3	NUT HEX NYL LOC 1/2-13	
8	56002922	2	SCR HEX LOC 1/4-20 X .62	
9	56003022	6	SCR HEX LOC 1/2-13 X 1.25	
10	56003032	3	SCR HEX LOC 1/2-13 X .75	
11	56003266	2	RING RET EXT TYPE E	
12	56009017	2	WSH FLT HDN .516X.938X.075	
13	56009033	2	SCR HEX THD FORM 1/4-20X.50	
14	56009115	4	WSH FLT HDN .594X1.375X.134	
15	56009195	4	WSH FLT .406X 1.250X .164	
16	56009216	3	WSH FLT .531 X 1.500 X .075	
	56110547	1	HARNES SIDE SCRUB	
18		1	Right Scrub Assy	
19	56111950	1	BUMPER WELDMENT	
20	56111251	1	MAT STEP	
		1	Right Scrub Hyd	
22	56111487	2	WEIGHT	
23	56111951	1	COVER-RIGHT SCRUB	
24	56305553	2	BEARING .719 X .625 X .375	
25	56360627	1	BUSHING .50X.62X.41CT32G	
26	56367206	1	BUSHING CV32G	



# RIGHT SCRUB SYSTEM - 2

SC8000 1300 D NIL

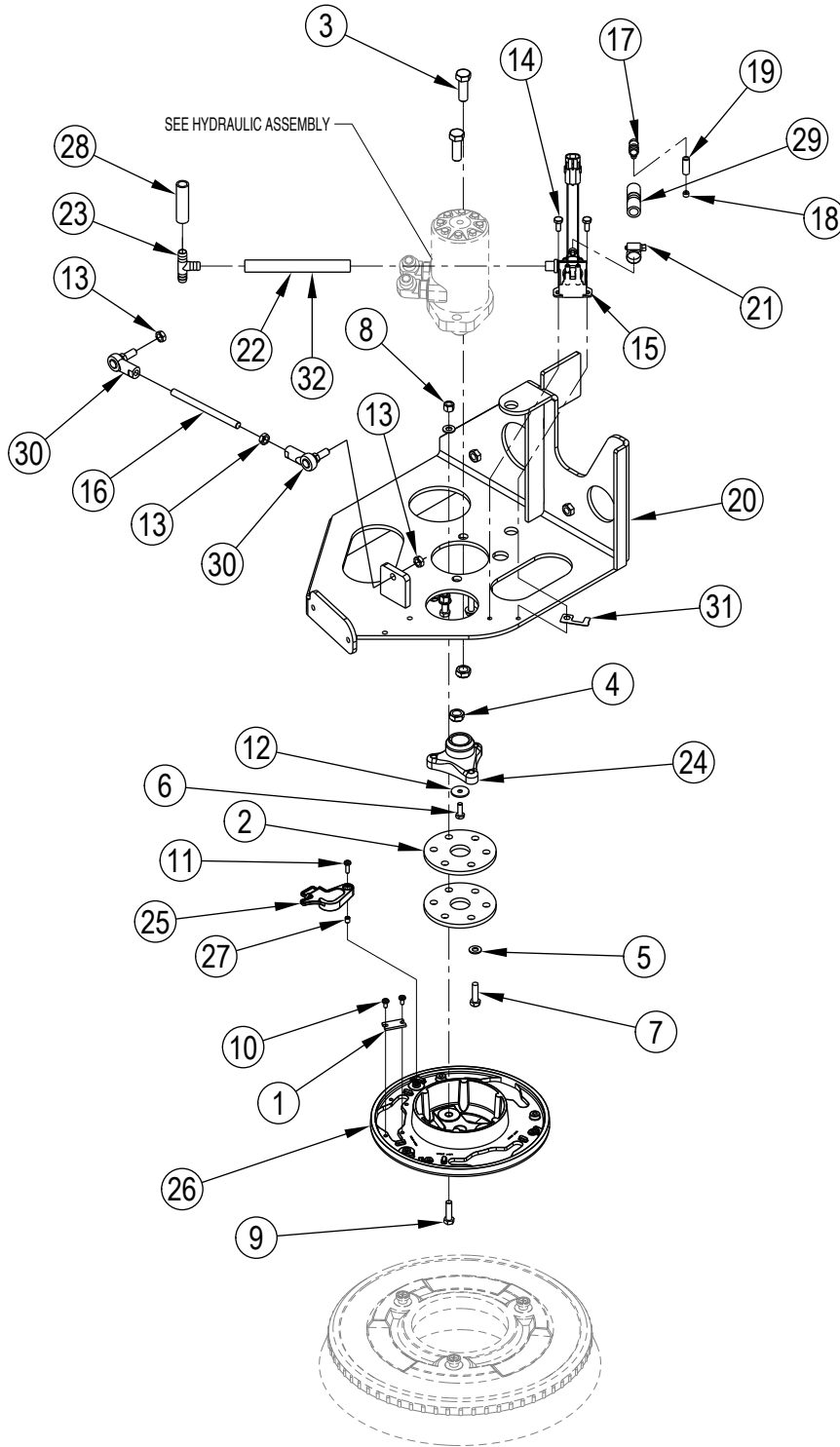
2019.07.18

2019.08.06

Pos.	Product no	QTY	Description	Notes
1	56003480	2	SCR-HEX SS 1/4-20 X 2.00	
2	56001920	3	SCR HEX 1/2-13 X 2.25	
3	56001968	2	SCR HEX 1/2-13 X 1.50	
4	56002883	2	SCR HEX SS 1/4-20 X 1.00	
5	56002914	2	WSH FLT STD SS 1/4	
6	56002491	2	NUT HEX NYL LOC SS 1/4-20	
7	56002770	2	NUT HEX NYL LOC 1/2-13	
8	56002851	1	NUT HEX NYL LOC-THIN SS5/16-18	
9	56002850	2	NUT HEX NYL LOC-THIN SS 1/4-20	
10	56002843	2	NUT HEX NYL LOC-THIN 1/2-13	
11	56003333	1	SCR HEX SS 5/16-18X1.75	
12	56003022	1	SCR HEX LOC 1/2-13 X 1.25	
13	56003079	2	SCR HEX LOC 3/8-16 X .75	
14	56009017	2	WSH FLT HDN .516X.938X.075	
15	56009141	1	NUT HEX JAM SS 5/16-18	
16	56009214	4	WSH FLT .406X.750X.090	
17	56110651	1	NUT PLATE	
18	56111160	1	SPACER	
19	56111202	1	BRUSH ARM ASSY	
20	56111253	1	BRUSH ASSY	
21	56111525	1	SKIRT ASSEMBLY	
22	56111819	1	RT SCRUB SKIRT ASSY	
23	56111910	1	BRACKET-SPRING	
24	56111911	1	STOP WELDMENT	
25	56111869	2	HANDLE-LOCKING	
26	56304893	2	BEARING SLEEVE .625X.750X..25	
27	56360627	1	BUSHING .50X.62X.41CT32G	
28	56365030	1	BUSHING CA334D	
29	56412216	1	SPRING EXTENSION	
30	56481456	2	BUSHING .50X.75X.25	
31	56002826	1	NUT HEX NYL LOC-THIN 5/16-18	
32	56003005	1	SCR HEX 5/16-18 X 1.75	
33	56003265	4	RING RET EXT TYPE E	
34	56009086	1	NUT HEX JAM 5/16-18	
35	56110338	8	BEARING FLANGE .625	
36	56111147	1	ARM WELDT-LOWER	
37	56111148	1	ARM WELDT-UPPER	
38	56111825	1	PIVOT-SIDE BRUSH	
39	56111841	1	PIVOT WELDMENT	
40	56002850	5	NUT HEX NYL LOC-THIN SS 1/4-20	
41	56002883	5	SCR HEX SS 1/4-20 X 1.00	
42	56111491	1	STRAP SKIRT	
43	56111635	1	BLADE KIT-RT SCRUB-LINATEX	[1]
43	56111636	1	BLADE KIT-RT SCRUB-GUM	[1]
43	56111637	1	BLADE KIT OPT SCRUB PU	[1]
44	56111547	1	TAB	
45	56111909	1	BRACKET-SKIRT	
46	56003079	2	SCR HEX LOC 3/8-16 X .75	
47	56111908	1	SKIRT MOUNT WELDT	
48	56111635	1	BLADE KIT-RT SCRUB-LINATEX	[1]
48	56111636	1	BLADE KIT-RT SCRUB-GUM	[1]
48	56111637	1	BLADE KIT OPT SCRUB PU	[1]
49	56111824	1	STRAP-SKIRT	
50	56111907	1	BRACKET-SKIRT	
51	56413717	3	THUMB NUT	
52	56413850	3	SKIRT RETAINER ASSEMBLY	
53	56419120	1	CLAMP HOSE SUPPORT 56E00616	

Part Notes:

- [1] - Blade kits include 2 blades, one of each of the blades needed for the right scrub assembly.



RIGHT SCRUB SYSTEM - 3

SC8000 1300 D NIL

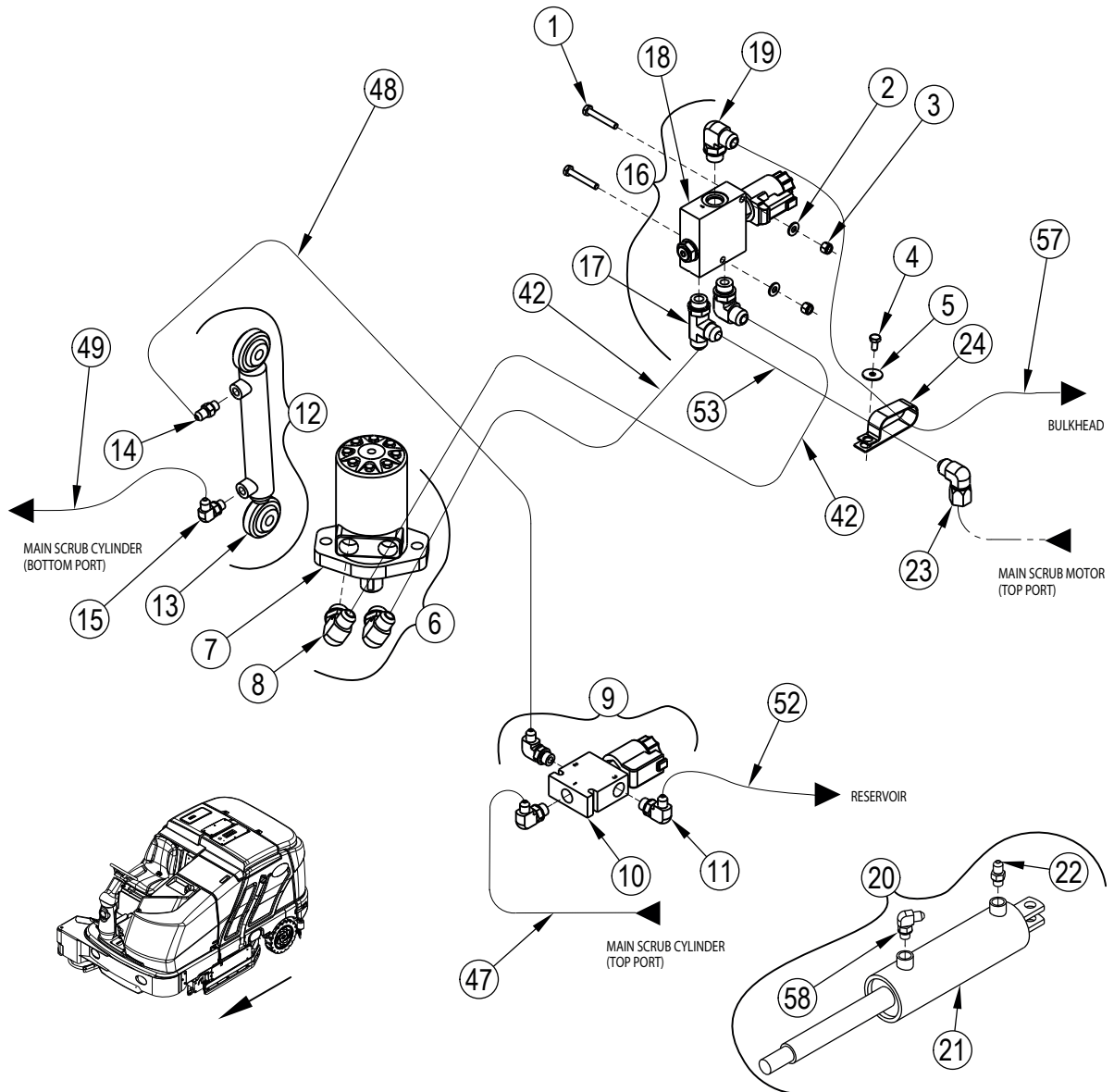
2020.05.22

2020.05.26

Pos.	Product no	QTY	Description	Notes
	56111253	1	BRUSH ASSY	[1]
1	56366455	1	PLATE CV24B	
2	56383238	2	BRUSH DRIVE DISC	
3	56001968	2	SCR HEX 1/2-13 X 1.50	
4	56002843	2	NUT HEX NYL LOC-THIN 1/2-13	
5	56002938	6	WSH FLT SAE SS 5/16	
6	56003221	1	SCR HEX LOC SS 1/4-20 X .75	
7	56003278	3	SCR HEX LOC SS M8-1.25 X 30MM	
8	56003405	3	NUT HEX NYL LOC SS M8X1.25	
9	56003639	3	SCR HEX SS M8-1.25 X 30MM	
10	56009030	2	SCR PAN PHIL THD FOM 10-24X.38	
11	56009042	1	SCR PANPHIL THD FORM 10-24X.62	
12	56009060	1	WSH FLT SS .260X1.000X.074	
13	56009103	3	NUT HEX JAM 3/8-24	
14	56009250	2	SCR HEX THD FORM 1/4-20X.62	
15	56110464	1	SOLENOID VALVE ASSY	
16	56111814	1	ROD	
17	56111842	1	ELBOW-BARBED .500 X .312	
18	56111843	1	ORIFICE PLUG	
19	56111844	1	HOSE .250 X .375 X 1.00	
20	56111906	1	MOTOR BRACKET WELDT	
21	56219932	1	CLAMP HOSE SAE 6 E00047	
22	56244967	1	HOSE .50 X 65.00 E00199	
23	56262549	1	TEE E00455	
24	56304077	1	HUB DRIVE	
25	56305515	1	BRUSH LOCK LEFT	
26	56314030	1	BRUSH HOLDER	
27	56369004	1	BUSHING CV82J	
28	56392347	1	TUBE PVC .500X 2.50 E00199	
29	56397209	1	HOSE PVC .500X4.0 E00199	
30	56397385	2	BALL JOINT	
31	56409769	1	CLIP WEATHER PACK	
32	56508976	1	WRAP-SPIRAL-5/8IN DIA X 12IN	

Part Notes:

[1] - (items 1-31)



# RIGHT SCRUB SYSTEM HYDRAULICS

SC8000 1300 D NIL

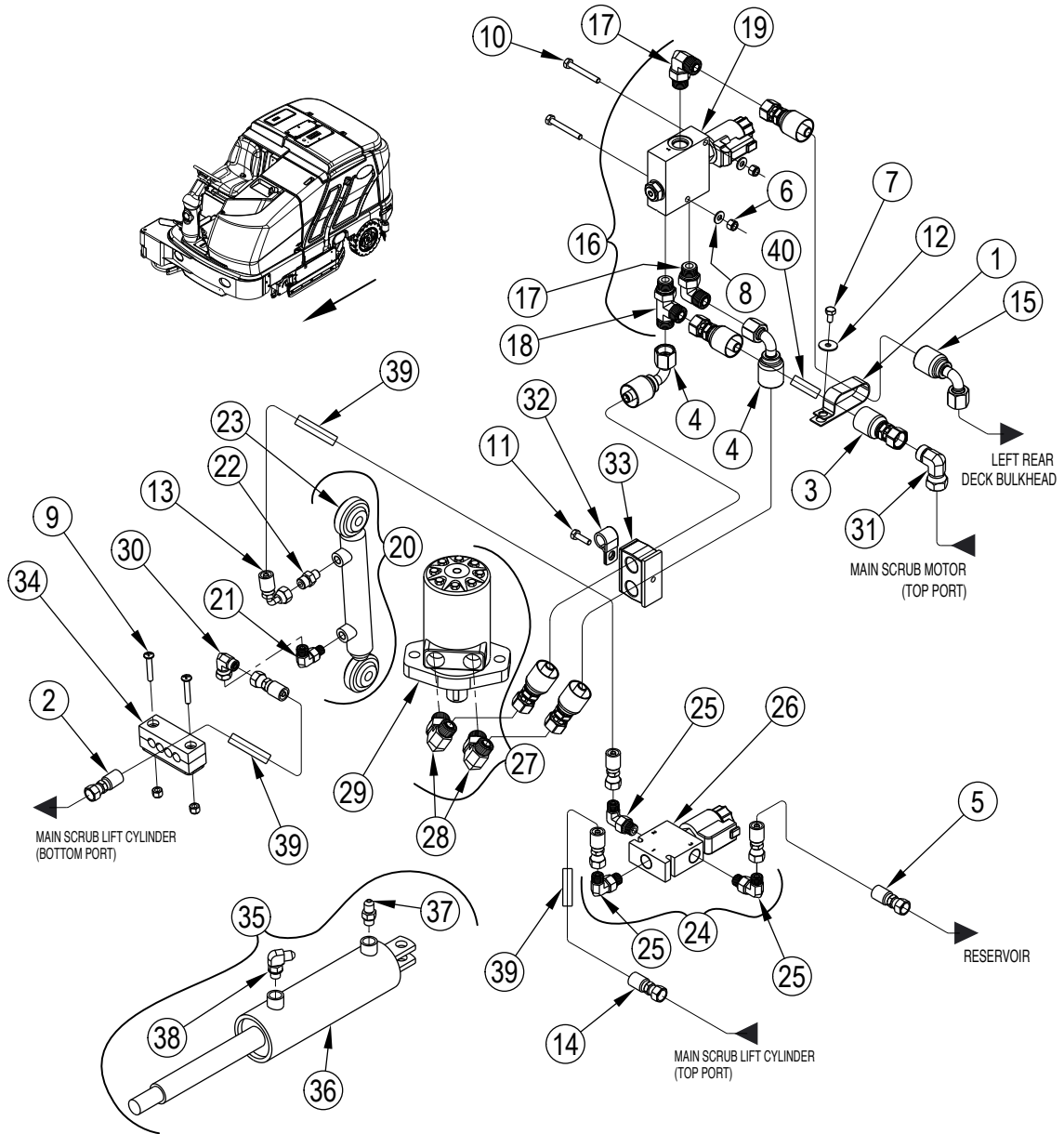
2017.11.02

2013.08.13

Pos.	Product no	QTY	Description	Notes
		1	Right Scrub Hd Assy	[1]
1	56001967	2	SCR HEX 1/4-20 X 1.75	
2	56002098	2	H FLT SAE 1/4	
3	56002708	2	NUT HEX NYL LOC 1/4-20	
4	56003039	1	SCR HEX LOC 1/4-20 X .50	
5	56009002	1	WASHER FLAT .266X.906X.060	
6		1	Hydraulic Motor Assy	[2]
7	56111526	1	MOTOR HYDRAULIC 11.3 CIR	
	56479577	1	SEAL KIT	
	56307149	1	VITON SEAL KIT	
8	56900114	2	ELBOW 90 O/R -8-10 E00003	
9		1	Solenoid Valve Assy	[3]
10	56110404	1	VALVE SOLENOID	
	56305351	1	CARTRIDGE	
	56110712	1	COIL REPLACEMENT	
	56305349	1	SEAL KIT	
11	56900110	3	ELBOW 90DEG O/R-4-6 E00003	
12		1	Opt Scrub Cyl Assy	[4]
13	56111885	1	CYLINDER-HYDRAULIC	
	56111886	1	SEAL KIT	
14	56900001	1	CONNECTOR O-RING-4 E00001	
15	56900101	1	ELBOW 90 DEG.O/R -4 E00003	
16		1	Valve Assembly, Solenoid	[5]
17	56900204	1	TEE RUN O/R -8 E00005	
18	56110711	1	SOLENOID VALVE MOTOR	
	56507686	1	CARTRIDGE	
	56110715	1	COIL REPLACEMENT	
	56305370	1	CHECK VALVE CARTRIDGE	
	56305354	1	SEAL KIT	
	56111201	1	SEAL KIT	
19	56900104	2	ELBOW 90 DEG.O/R -8 E00003	
20	56111587	1	CYLINDER ASSEMBLY STEER	[6]
21	56111593	1	CYLINDER HYDRAULIC 2.00 X 5.00	
	56488723	1	SEAL KIT	
22	56900001	1	CONNECTOR O-RING-4 E00001	
58	56900101	1	ELBOW 90 DEG.O/R -4 E00003	
23	56900304	1	ELBOW 90D W/NUT -8 E00007	
24	2-00-05253	1	CLAMP	
42	56110777	2	HOSE ASSY	
47	56110782	1	HOSE ASSY	
48	56110783	1	HOSE ASSY	
49	56110784	1	HOSE ASSY	
52	56110787	1	HOSE ASSY	
53	56110792	1	HOSE ASSY	
57	56110796	1	HOSE ASSY	

**Part Notes:**

- [1] - items 1-24, 42, 47-49, 52, 53, 57, 58
- [2] - (items 7-8)
- [3] - (items 10-11)
- [4] - (items 13-15)
- [5] - (17-19)
- [6] - (items 21-22, 58)



# RIGHT SCRUB SYSTEM HYDRAULICS-ORFS

SC8000 1300 D NIL

2020.05.22

2020.05.26

Pos.	Product no	QTY	Description	Notes
		1	Right Scrub Hd Assy (items 1-16, 20, 24, 27, 30-35, 39)	
1	2-00-05253	1	CLAMP	
2	7-33-02415	1	HOSE-ORFS-04 00-04 00-04 85	
3	7-33-02438	1	HOSE 8 STR STR 51 LG.	[1]
4	7-33-02551	2	HOSE HYD 8 ORS-STR-8 ORS LONG	
5	8-33-02187	1	HOSE-HYD ORS4 STR ENDS 107	[1]
6	56002491	4	NUT HEX NYL LOC SS 1/4-20	
7	56002801	1	SCR HEX SS 1/4-20 X .50	
8	56002859	2	WSH FLT SAE SS 1/4	
9	56002905	2	SCR PAN PHIL SS 1/4-20 X 1.50	
10	56003480	2	SCR-HEX SS 1/4-20 X 2.00	
11	56003844	1	SCR-HEX SS 1/4-20 X .88	
12	56003923	1	WSH-FLT SS .266 X .906 X .060	
13	56108250	1	HOSE-HYD-A1-1A1-1C1-572	
14	56108252	1	HOSE-HYD-A1-1A1-1A1-1575	
15	56108253	1	HOSE-HYD-C4-1A4-1C4-1422	
16	56108273	1	SOLENOID VALVE ASSEMBLY-MOTOR	
17	2-00-04885	2	HYD.FITTING SAE TO OR 90 EL	
18	2-00-04924	1	FITTING-RUN TEE SAE8 TO ORS8	
19	56110711	1	SOLENOID VALVE MOTOR	
*	56507686	1	CARTRIDGE	
*	56110715	1	COIL REPLACEMENT	
*	56305370	1	CHECK VALVE CARTRIDGE	
*	56305354	1	SEAL KIT	
*	56111201	1	SEAL KIT	
20	56108274	1	RH SCRUB CYLINDER ASSEMBLY	
21	2-00-04892	1	HYD. ADAPTER-SAE TO OR 90 EL	
22	2-00-04895	1	STRAIGHT THREAD FITTING	
23	56111885	1	CYLINDER-HYDRAULIC	
*	56111886	1	SEAL KIT	
24	56108275	1	SOLENOID VALVE ASSY-CYLINDER	
25	2-00-04926	3	FITTING-90 SAE6 TO ORS4	
26	56110404	1	VALVE SOLENOID	
*	56305351	1	CARTRIDGE	
*	56110712	1	COIL REPLACEMENT	
*	56305349	1	SEAL KIT	
27	56108276	1	HYDRAULIC MOTOR ASSY-RH SCRUB	
28	2-00-04921	2	FTG-90-8MORFS-10MORB	
29	56111526	1	MOTOR HYDRAULIC 11.3 CIR	
*	56479577	1	SEAL KIT	
*	56307149	1	VITON SEAL KIT	
30	56394035	1	FTG-90-4MORFS-4FSWORFS	
31	2-00-05046	1	HYDRAULIC FITTING-8-ORS90	
32	56419120	1	CLAMP HOSE SUPPORT 56E00616	
33	56507218	1	CLAMP-HOSE-TWIN-20MM	
34	56507922	1	CLAMP-HOSE-QUAD-13MM	
35	56108272	1	STEERING CYL ASSY-RH SCRUB	
36	56111593	1	CYLINDER HYDRAULIC 2.00 X 5.00	
*	56394312	1		
37	2-00-04895	1	STRAIGHT THREAD FITTING	
38	2-00-04892	1	HYD. ADAPTER-SAE TO OR 90 EL	
39	56508976	3	WRAP-SPIRAL-5/8IN DIA X 12IN	
40	56508975	1	WRAP-SPIRAL-5/8IN DIA X 6IN	

Part Notes:

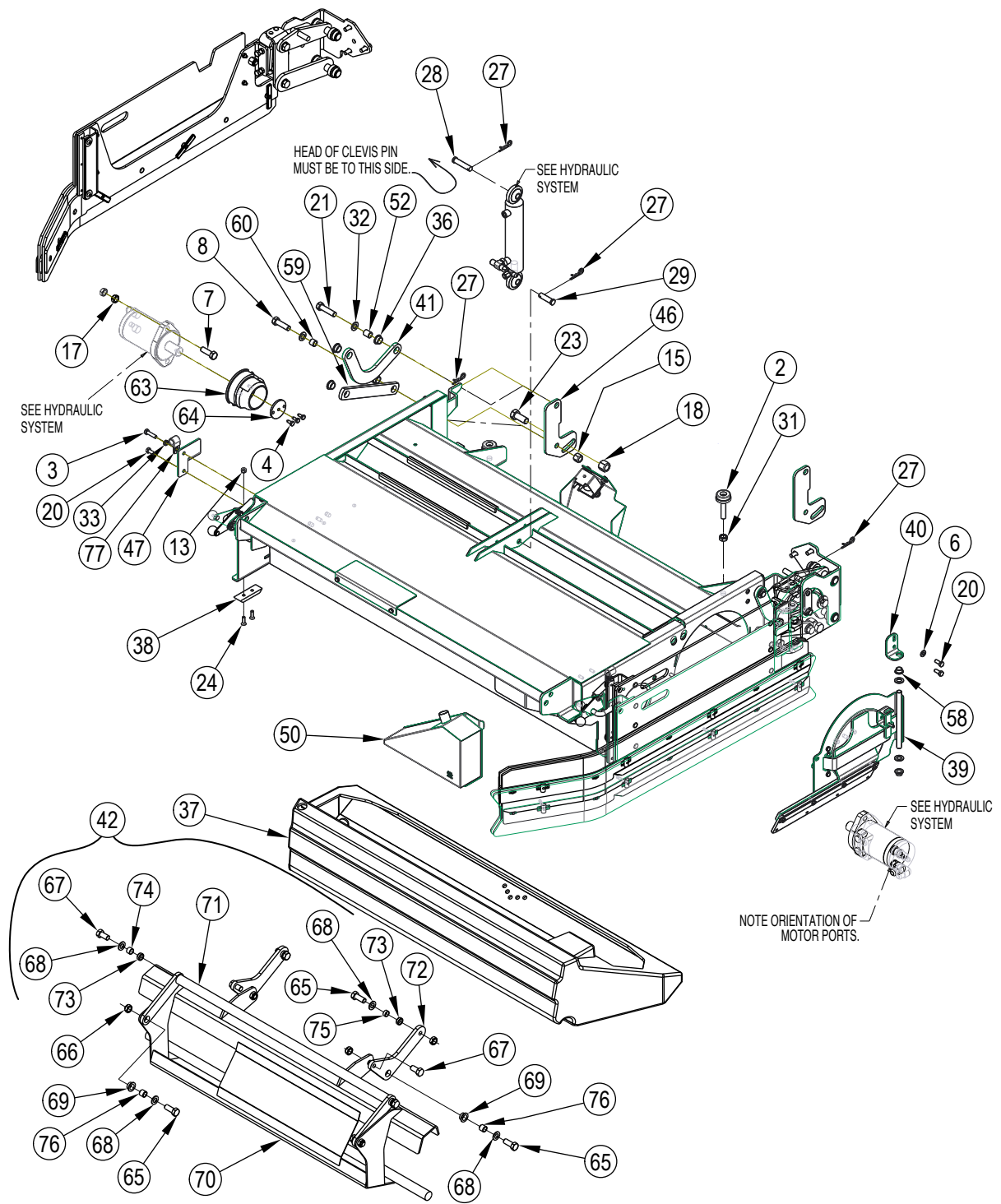
[1] - GUARANTEE DATE EXPIRED



Pos.	Product no	QTY	Description	Notes
		1	Right Scrub Hd Assy	[1]
1	56001967	2	SCR HEX 1/4-20 X 1.75	
2	56002098	2	H FLT SAE 1/4	
3	56002708	2	NUT HEX NYL LOC 1/4-20	
4	56003039	1	SCR HEX LOC 1/4-20 X .50	
5	56009002	1	WASHER FLAT .266X.906X.060	
6		1	Hydraulic Motor Assy	[2]
7	56111526	1	MOTOR HYDRAULIC 11.3 CIR	
	56479577	1	SEAL KIT	[3]
	56307149	1	VITON SEAL KIT	[3]
8	56900114	2	ELBOW 90 O/R -8-10 E00003	
9		1	Solenoid Valve Assy	[4]
10	56110404	1	VALVE SOLENOID	
	56305351	1	CARTRIDGE	[3]
	56110712	1	COIL REPLACEMENT	[3]
	56305349	1	SEAL KIT	[3]
11	56900110	3	ELBOW 90DEG O/R-4-6 E00003	
12		1	Opt Scrub Cyl Assy	[5]
13	56111885	1	CYLINDER-HYDRAULIC	
	56111886	1	SEAL KIT	[3]
14	56900001	1	CONNECTOR O-RING-4 E00001	
15	56900101	1	ELBOW 90 DEG.O/R -4 E00003	
16		1	Valve Assembly, Solenoid	[6]
17	56900204	1	TEE RUN O/R -8 E00005	
18	56110711	1	SOLENOID VALVE MOTOR	
	56507686	1	CARTRIDGE	[3]
	56110715	1	COIL REPLACEMENT	[3]
	56305370	1	CHECK VALVE CARTRIDGE	[3]
	56305354	1	SEAL KIT	[3]
	56111201	1	SEAL KIT	[3]
19	56900104	2	ELBOW 90 DEG.O/R -8 E00003	
20	56111587	1	CYLINDER ASSEMBLY STEER	[7]
21	56111593	1	CYLINDER HYDRAULIC 2.00 X 5.00	
	56488723	1	SEAL KIT	[3]
22	56900001	1	CONNECTOR O-RING-4 E00001	
58	56900101	1	ELBOW 90 DEG.O/R -4 E00003	
23	56900304	1	ELBOW 90D W/NUT -8 E00007	
24	2-00-05253	1	CLAMP	
42	56110777	2	HOSE ASSY	
47	56110782	1	HOSE ASSY	
48	56110783	1	HOSE ASSY	
49	56110784	1	HOSE ASSY	
52	56110787	1	HOSE ASSY	
53	56110792	1	HOSE ASSY	
57	56110796	1	HOSE ASSY	
59	56900301	1	ELBOW 90D W/NUT -4 E00007	[8]

## Part Notes:

- [1] - items 1-24, 42, 47-49, 52, 53, 57-59
- [2] - items 7-8
- [3] - Optional, Not Included
- [4] - items 10-11
- [5] - items 13-15
- [6] - 17-19
- [7] - items 21-22, 58
- [8] - GUARANTEE DATE EXPIRED

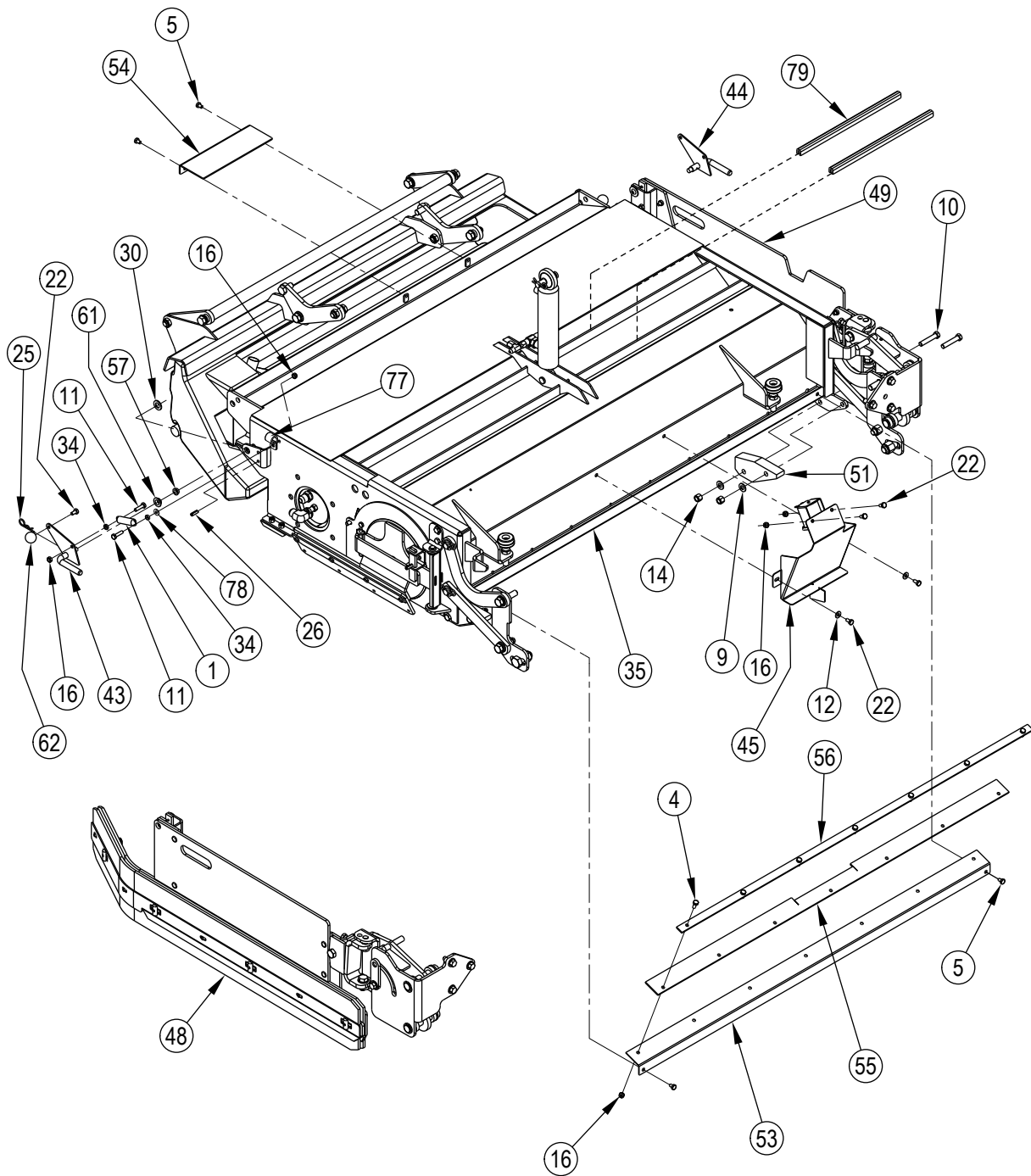


Pos.	Product no	QTY	Description	Notes
1	56365068	2	SPRING EXT .62X2.50CA333G	
2	56449221	2	BUMPER 1.43 DIA. CV660N	
3	56003302	1	SCR HEX THD/HD SS 5/16-18X1.25	
4	56003047	13	SCR HEX SS 1/4-20 X .62	
5	56002801	4	SCR HEX SS 1/4-20 X .50	
6	56002938	1	WSH FLT SAE SS 5/16	
7	56003495	4	SCR HEX S.S. 1/2-13 X 1.5	
8	56002888	2	SCR HEX HD SS 1/2-13X1.75	
9	56002910	4	WSH FLT SAE SS 3/8	
10	56002800	4	SCR HEX SS 3/8-16 X 2.00	
11	56002883	3	SCR HEX SS 1/4-20 X 1.00	
12	56002859	2	WSH FLT SAE SS 1/4	
13	56002491	4	NUT HEX NYL LOC SS 1/4-20	
14	56003219	4	NUT HEX NYL LOC SS 3/8-16	
15	56002846	2	NUT HEX NYL LOC SS 1/2-13	
16	56002850	12	NUT HEX NYL LOC-THIN SS 1/4-20	
17	56002854	4	NUT HEX NYL LOC-THIN SS 1/2-13	
18	56003924	2	NUT-HEX NYL LOC SS 5/8-18	
20	56003925	3	SCR-HEX LOC SS 5/16-18 X .75	
21	56003926	2	SCR-HEX SS 1/2-13 X 2.00	
22	56002935	6	SCR HEX LOC SS 1/4-20 X .5	
23	56003045	2	SCR HEX SS 5/8-18 X 1.50	
24	56003086	4	SCR FLT PHIL SS 1/4-20X .88	
25	56003120	2	PIN COT HAIR.093XDIA .25-.50	
26	56003138	2	PIN SPR .25 X .75	
27	56003222	6	PIN COT HAIR .125 X DIA.50/.75	
28	56003620	1	PIN CLEVIS .500 X 2.25	
29	56003728	1	PIN CLEVIS .500 X 1.75	
30	56009003	2	WSH FLT .516X.938X.075	
31	56003927	2	NUT-HEX JAM SS 1/2-13	
32	56009017	8	WSH FLT HDN .516X.938X.075	
33	56009141	1	NUT HEX JAM SS 5/16-18	
34	56003145	3	NUT HEX JAM SS 1/4-20	
35	56111933	1	BRUSH HOUSING WELDT	
36	56110338	8	BEARING FLANGE .625	
37	56110349	1	HOPPER	
38	56110514	2	SKID	
39	56110752	2	IDLER ASSEMBLY	
40	56110757	1	HINGE TOP	
41	56111926	2	ARM-BRUSH HSG	
42	56110952	1	TRAY HANGER ASSY	
43	56110971	1	LATCH WELDMENT	
44	56111108	1	LATCH WELDT-LT	
45	56111927	1	DIVERTER WELDT	
46	56111928	2	BRACKET-BRUSH HSG	
47	56111666	1	HINGE LEFT	
48	56111738	1	RIGHT SKIRT ASSY	
49	56111740	1	LEFT SKIRT ASSY	
50	56111751	1	SCREEN WELDMENT	
51	56111759	2	SKID	
52	56111784	2	BUSHING .515 X .625 X .725	
53	56111929	1	SHIELD-TROUGH	
54	56111930	1	PLATE	
55	56111790	1	BLADE MUD SHIELD	
56	56111932	1	STRAP	
57	56303285	2	BEARING FL .500X.375X.250	
58	56304519	4	BEARING FLANGE	
59	56111931	2	ARM-PARALLEL 7.5IN	
60	56367206	2	BUSHING CV32G	

Pos.	Product no	QTY	Description	Notes
61	56413211	2	BEARING FLANGE .625X.500X.250	
62	56440817	2	KNOB 1.00X1/4-20 CV429C	
63	8-33-09046-1	2	HUB	
64	8-58-05160	2	PLATE-LOCKING DRIVER BROOM	
65	56003452	6	SCR HX THD TO HDSS 1/2-13X1.25	[1]
66	56002854	6	NUT HEX NYL LOC-THIN SS 1/2-13	
67	56002887	4	SCR HEX SS 1/2-13 X 1.00	
68	56009017	8	WSH FLT HDN .516X.938X.075	
69	56110338	4	BEARING FLANGE .625	
70	56111917	1	TRAY HANGER WELDT	
71	56111918	1	TRAY HANGER WELDT	
72	56111919	2	LEVER	
73	56304893	4	BEARING SLEEVE .625X.750X..25	
74	56360627	2	BUSHING .50X.62X.41CT32G	
75	56365030	2	BUSHING CA334D	
76	56367206	4	BUSHING CV32G	
77	56419120	2	CLAMP HOSE SUPPORT 56E00616	
78	2-00-03702	1	WSHR-FL..625X.281X.063 STL.ZN	[2]
79	56507900	2	TRIM-EDGE-.18X13.00	

Part Notes:

- [1] - GUARANTEE DATE EXPIRED
- [2] - EXPIRED USE 56002098



Pos.	Product no	QTY	Description	Notes
1	56365068	2	SPRING EXT .62X2.50CA333G	
2	56449221	2	BUMPER 1.43 DIA. CV660N	
3	56003302	1	SCR HEX THD/HD SS 5/16-18X1.25	
4	56003047	13	SCR HEX SS 1/4-20 X .62	
5	56002801	4	SCR HEX SS 1/4-20 X .50	
6	56002938	1	WSH FLT SAE SS 5/16	
7	56003495	4	SCR HEX S.S. 1/2-13 X 1.5	
8	56002888	2	SCR HEX HD SS 1/2-13X1.75	
9	56002910	4	WSH FLT SAE SS 3/8	
10	56002800	4	SCR HEX SS 3/8-16 X 2.00	
11	56002883	3	SCR HEX SS 1/4-20 X 1.00	
12	56002859	2	WSH FLT SAE SS 1/4	
13	56002491	4	NUT HEX NYL LOC SS 1/4-20	
14	56003219	4	NUT HEX NYL LOC SS 3/8-16	
15	56002846	2	NUT HEX NYL LOC SS 1/2-13	
16	56002850	10	NUT HEX NYL LOC-THIN SS 1/4-20	
17	56002854	4	NUT HEX NYL LOC-THIN SS 1/2-13	
18	56003924	2	NUT-HEX NYL LOC SS 5/8-18	
20	56003925	3	SCR-HEX LOC SS 5/16-18 X .75	
21	56003926	2	SCR-HEX SS 1/2-13 X 2.00	
22	56002935	4	SCR HEX LOC SS 1/4-20 X .5	
23	56003045	2	SCR HEX SS 5/8-18 X 1.50	
24	56003086	4	SCR FLT PHIL SS 1/4-20X .88	
25	56003120	2	PIN COT HAIR.093XDIA .25-.50	
26	56003138	2	PIN SPR .25 X .75	
27	56003222	6	PIN COT HAIR .125 X DIA.50/.75	
28	56003620	1	PIN CLEVIS .500 X 2.25	
29	56003728	1	PIN CLEVIS .500 X 1.75	
30	56009003	2	WSH FLT .516X.938X.075	
31	56003927	2	NUT-HEX JAM SS 1/2-13	
32	56009017	8	WSH FLT HDN .516X.938X.075	
33	56009141	1	NUT HEX JAM SS 5/16-18	
34	56003145	3	NUT HEX JAM SS 1/4-20	
34	56009087	3	NUT HEX JAM 1/4-20	
35	56111933	1	BRUSH HOUSING WELDT	
36	56110338	8	BEARING FLANGE .625	
37	56110349	1	HOPPER	
38	56110514	2	SKID	
39	56110752	2	IDLER ASSEMBLY	
40	56110757	1	HINGE TOP	
41	56111926	2	ARM-BRUSH HSG	
42	56110952	1	TRAY HANGER ASSY	
43	56110971	1	LATCH WELDMENT	
44	56111108	1	LATCH WELDT-LT	
45	56111927	1	DIVERTER WELDT	
46	56111928	2	BRACKET-BRUSH HSG	
47	56111666	1	HINGE LEFT	
48	56111738	1	RIGHT SKIRT ASSY	[1]
49	56111740	1	LEFT SKIRT ASSY	[1]
50	56111751	1	SCREEN WELDMENT	
51	56111759	2	SKID	
52	56111784	2	BUSHING .515 X .625 X .725	
53	56111929	1	SHIELD-TROUGH	
54	56111930	1	PLATE	
55	56111790	1	BLADE MUD SHIELD	
56	56111932	1	STRAP	
57	56303285	2	BEARING FL .500X.375X.250	
58	56304519	4	BEARING FLANGE	
59	56111931	2	ARM-PARALLEL 7.5IN	

Pos.	Product no	QTY	Description	Notes
60	56367206	2	BUSHING CV32G	
61	56413211	2	BEARING FLANGE .625X.500X.250	
62	56440817	2	KNOB 1.00X1/4-20 CV429C	
63	8-33-09046-1	2	HUB	
64	8-58-05160	2	PLATE-LOCKING DRIVER BROOM	
65	56003452	6	SCR HX THD TO HDSS 1/2-13X1.25	[2]
66	56002854	6	NUT HEX NYL LOC-THIN SS 1/2-13	
67	56002887	4	SCR HEX SS 1/2-13 X 1.00	
68	56009017	8	WSH FLT HDN .516X.938X.075	
69	56110338	4	BEARING FLANGE .625	
70	56111917	1	TRAY HANGER WELDT	
71	56111918	1	TRAY HANGER WELDT	
72	56111919	2	LEVER	
73	56304893	4	BEARING SLEEVE .625X.750X..25	
74	56360627	2	BUSHING .50X.62X.41CT32G	
75	56365030	2	BUSHING CA334D	
76	56367206	4	BUSHING CV32G	
77	56419120	2	CLAMP HOSE SUPPORT 56E00616	
78	2-00-03702	1	WSHR-FL..625X.281X.063 STL.ZN	[3]
79	56507900	2	TRIM-EDGE-.18X13.00	

Part Notes:

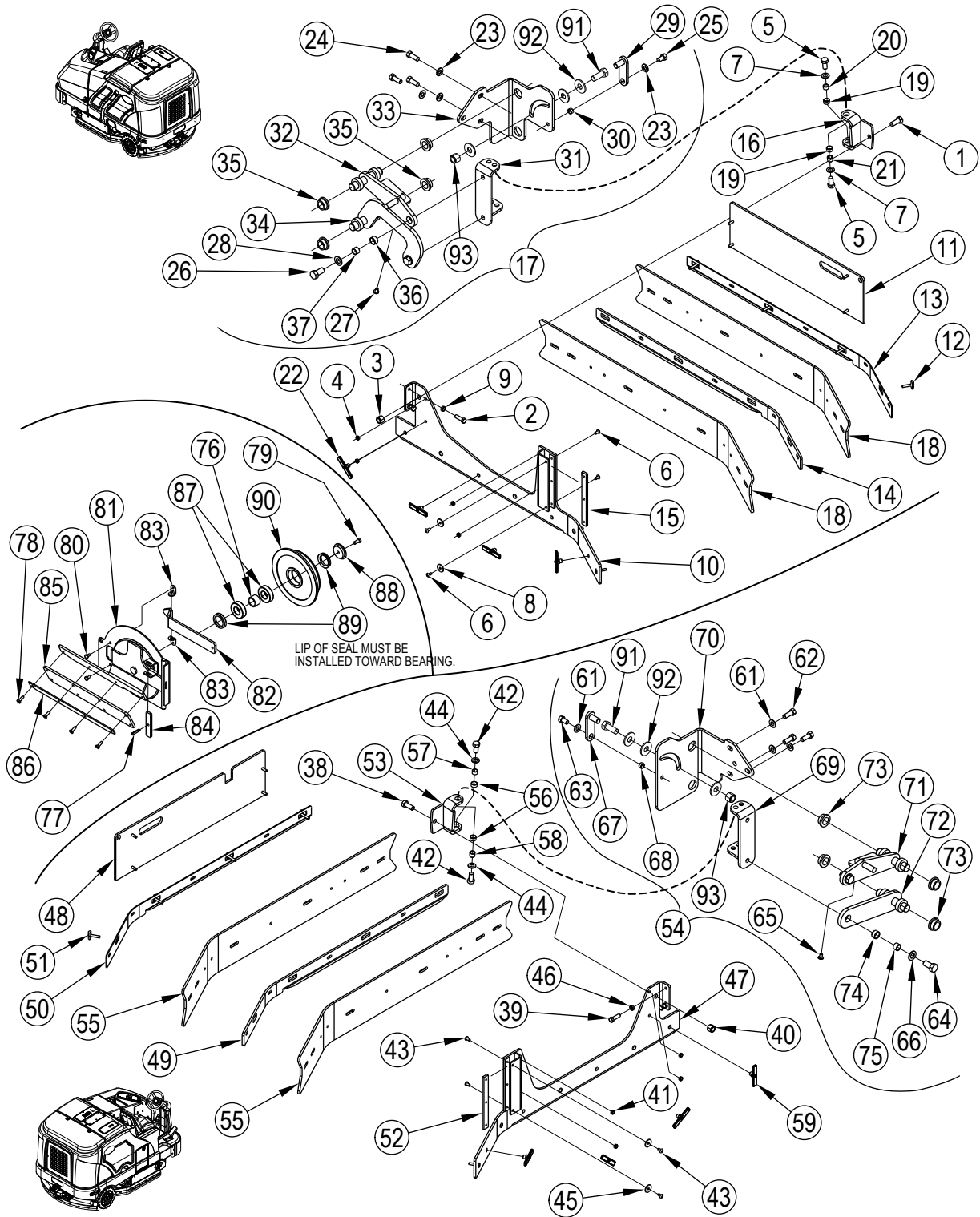
- [1] - See SCRUB SYSTEM - SIDE SKIRT ASSEMBLIES
- [2] - GUARANTEE DATE EXPIRED
- [3] - EXPIRED USE 56002098

# SCRUB SYSTEM - SIDE SKIRT ASSEMBLIES

SC8000 1300 D NIL

2017.11.02

2019.08.06



# SCRUB SYSTEM - SIDE SKIRT ASSEMBLIES

SC8000 1300 D NIL

2017.11.02

2019.08.06

Pos.	Product no	QTY	Description	Notes
	56111738	1	RIGHT SKIRT ASSY	[1]
1	56003452	1	SCR HX THD TO HDSS 1/2-13X1.25	[2]
2	56002881	2	SCR HEX SS 3/8-16 X 1.25	
3	56002846	1	NUT HEX NYL LOC SS 1/2-13	
4	56002840	4	NUT HEX NYL LOC-THIN 1/4-20	
5	56003835	2	SCR-HEX LOC SS 1/2-13 X 1.0	
6	56003790	4	SCR PAN PHI SS TA 1/4-10 X .50	
7	56009017	2	WSH FLT HDN .516X.938X.075	
8	56009060	2	WSH FLT SS .260X1.000X.074	
9	56003015	2	NUT HEX JAM SS 3/8-16	
10	56111920	1	SKIRT WELDT-RT	
11	56111921	1	COVER-RIGHT SKIRT	
12	56111433	4	SKIRT RETAINER ASSY	
13	56111453	1	STRAP SKIRT-RT	
14	56111922	1	STRAP-SKIRT RT	
15	56111599	2	SLIDE	
16	56111647	1	RIGHT HINGE WELDT	
17	56111739	1	SKIRT ARM ASSY-RT	[3]
18	56111206	1	BLADE KIT MAIN SCRUB-LINATEX	[4]
	56111207	1	BLADE KIT MAIN SCRUB-GUM RUB	[4]
	56111210	1	BLADE KIT MAIN SCRUB-POLYURETH	[4]
19	56305553	2	BEARING .719 X .625 X .375	
20	56360627	1	BUSHING .50X.62X.41CT32G	
21	56367206	1	BUSHING CV32G	
22	56413717	4	THUMB NUT	
23	56002910	4	WSH FLT SAE SS 3/8	
24	56002914	3	WSH FLT STD SS 1/4	
25	56003952	1	SCR-HEX LOC SS 3/8-16 X .62	
26	56003835	2	SCR-HEX LOC SS 1/2-13 X 1.0	
27	56003603	1	SCR PAN PHILTHDFORM 1/4-20X.38	
28	56009017	2	WSH FLT HDN .516X.938X.075	
29	56110942	1	PROP WELDT	
30	56110945	1	BUSHING .385X.500X.270	
31	56111644	1	HINGE WELDT	
32	56111744	1	UPPER RT ARM WELDT	
33	56111913	1	BRACKET-SKIRT RT	
34	56111828	1	LOWER ARM WELDT	
35	56303024	4	BEARING FL 1.00X.750X.500	
36	56305553	2	BEARING .719 X .625 X .375	
37	56360627	2	BUSHING .50X.62X.41CT32G	
	56111740	1	LEFT SKIRT ASSY	[5]
38	56003452	1	SCR HX THD TO HDSS 1/2-13X1.25	[2]
39	56002881	2	SCR HEX SS 3/8-16 X 1.25	
40	56002846	1	NUT HEX NYL LOC SS 1/2-13	
41	56002840	4	NUT HEX NYL LOC-THIN 1/4-20	
42	56003835	2	SCR-HEX LOC SS 1/2-13 X 1.0	
43	56003119	4	SCR PAN PHIL SS 1/4-20 X .50	
44	56009017	2	WSH FLT HDN .516X.938X.075	
45	56002859	2	WSH FLT SAE SS 1/4	
46	56003015	2	NUT HEX JAM SS 3/8-16	
47	56111923	1	SKIRT WELDT-LT	
48	56111924	1	COVER-LEFT SKIRT	
49	56111925	1	STRAP-SKIRT LT	
50	56111431	1	STRAP SKIRT-LT	
51	56111433	4	SKIRT RETAINER ASSY	
52	56111599	2	SLIDE	
53	56111648	1	LEFT HINGE WELDT	
54	56111741	1	SKIRT ARM ASSY-LT	[6]
55	56111206	1	BLADE KIT MAIN SCRUB-LINATEX	

# SCRUB SYSTEM - SIDE SKIRT ASSEMBLIES

SC8000 1300 D NIL

2017.11.02

2019.08.06

Pos.	Product no	QTY	Description	Notes
	56111207	1	BLADE KIT MAIN SCRUB-GUM RUB	
	56111210	1	BLADE KIT MAIN SCRUB-POLYURETH	
56	56305553	2	BEARING .719 X .625 X .375	
57	56360627	1	BUSHING .50X.62X.41CT32G	
58	56367206	1	BUSHING CV32G	
59	56413717	4	THUMB NUT	
61	56002910	4	WSH FLT SAE SS 3/8	
62	56003914	3	SCR-HEX LOC SS 3/8-16 X 1.00	
63	56003952	1	SCR-HEX LOC SS 3/8-16 X .62	
64	56003835	2	SCR-HEX LOC SS 1/2-13 X 1.0	
65	56003603	1	SCR PAN PHILTHDFORM 1/4-20X.38	
66	56009017	2	WSH FLT HDN .516X.938X.075	
67	56110942	1	PROP WELDT	
68	56110945	1	BUSHING .385X.500X.270	
69	56111644	1	HINGE WELDT	
70	56111912	1	BRACKET SKIRT-LT	
71	56111745	1	UPPER LT ARM WELDT	
72	56111747	1	LOWER ARM WELDT	
73	56303024	4	BEARING FL 1.00X.750X.500	
74	56305553	2	BEARING .719 X .625 X .375	
75	56360627	2	BUSHING .50X.62X.41CT32G	
	56110752	1	IDLER ASSEMBLY	[7]
76	56479434	1	BUSHING 1.0X1.2X.78RE470AJ	
77	56002056	1	PIN SPR .25 X 1.25	
78	56002807	4	SCR HEX SS 1/4-20 X .75	
79	56002956	1	SCR HEX LOC 5/16-18 X .75	
80	56009033	2	SCR HEX THD FORM 1/4-20X.50	
81	56111916	1	BRUSH IDLER WELDT	
82	56110799	1	LEVER WELDMENT	
83	56110803	2	HINGE	
84	56110804	1	LATCH	
85	56111206	1	BLADE KIT MAIN SCRUB-LINATEX	[4]
	56111207	1	BLADE KIT MAIN SCRUB-GUM RUB	[4]
86	56111914	1	STRAP-INNER BLADE	
87	56111531	2	BEARING BALL	
88	56111792	1	WASHER STEP	
89	56111793	2	SEAL BEARING	
90	56111915	1	HUB-IDLER	
91	56003452	1	SCR HX THD TO HDSS 1/2-13X1.25	[8]
92	56002892	3	WSH FLT STD SS 1/2	[9]
93	56002846	1	NUT HEX NYL LOC SS 1/2-13	[9]

**Part Notes:**

- [1] - (items 1-22)
- [2] - GUARANTEE DATE EXPIRED
- [3] - (items 23-37, 91-93)
- [4] - Side Skirt Blade Kits include 4 side skirt blades (2 for each side skirt) plus 2 splash shield blades (1 for each end of the scrub deck).
- [5] - (items 38-59)
- [6] - (items 61-75, 91-93)
- [7] - (items 76-90)
- [8] - GUARANTEE DATE EXPIRED

Quantities are per skirt arm assembly.

- [9] - Quantities are per skirt arm assembly.



# SIDE BROOM HYDRAULIC ASSY - DUAL

SC8000 1300 D NIL

2017.11.02

2013.08.13

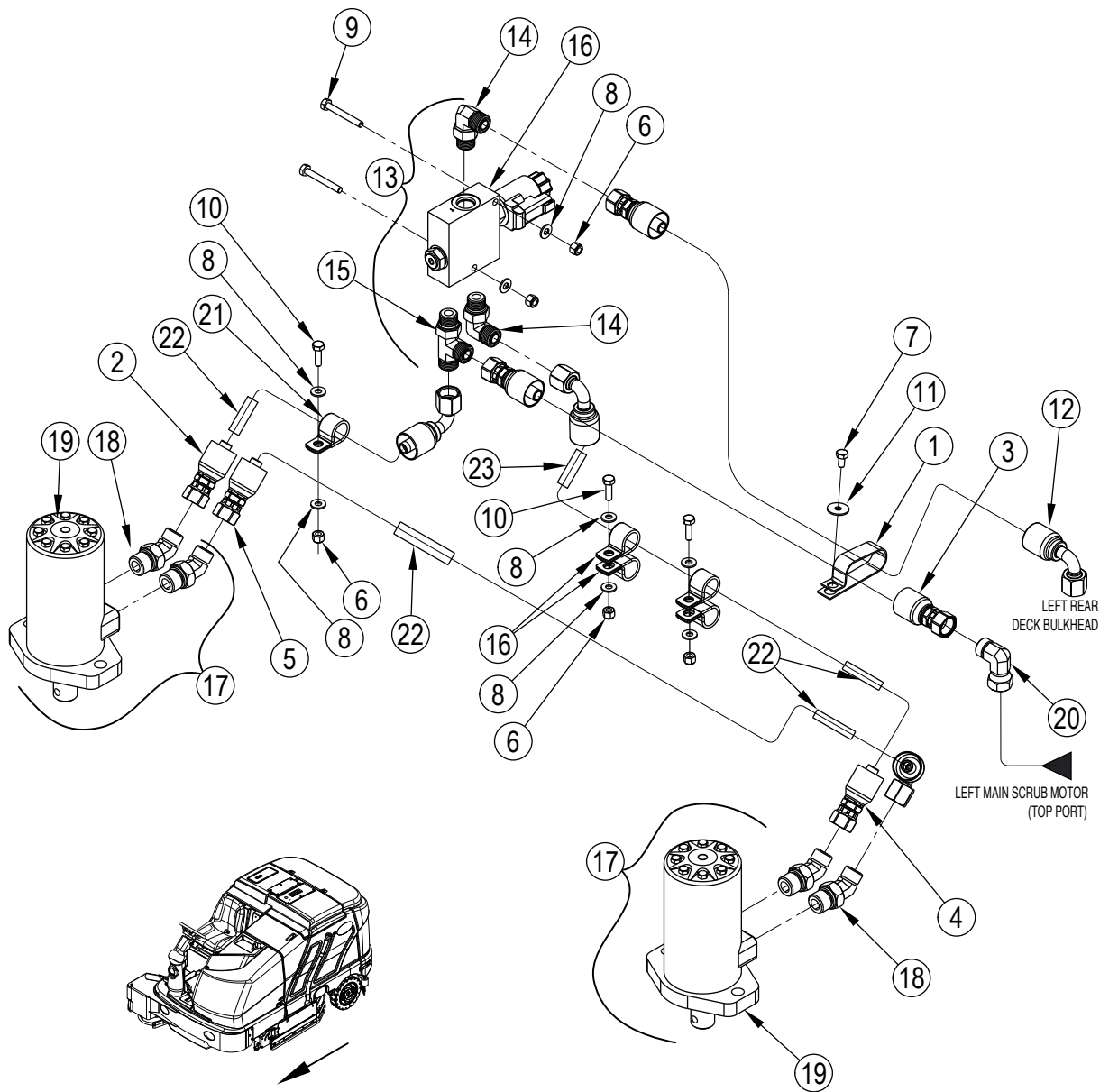
Pos.	Product no	QTY	Description	Notes
		1	Dual Side Broom Hyd Assy (items 1-14, 43, 44, 53, 54 & 57)	
1	56001967	2	SCR HEX 1/4-20 X 1.75	
2	56002098	2	H FLT SAE 1/4	
3	56002840	2	NUT HEX NYL LOC-THIN 1/4-20	
4	56003039	1	SCR HEX LOC 1/4-20 X .50	
5	56009002	1	WASHER FLAT .266X.906X.060	
6		2	Hydraulic Motor Assy (items 7-8)	
7	56900164	4	ELBOW 45D O/R -8-10 E00004	
8	56110411	2	MOTOR HYDRAULIC 17.9 CIR	
	56479577	1	SEAL KIT	
	56307149	1	VITON SEAL KIT	
9		1	Valve Assembly, Solenoid (10-12)	
10	56900204	1	TEE RUN O/R -8 E00005	
11	56110711	1	SOLENOID VALVE MOTOR	
	56507686	1	CARTRIDGE	
	56110715	1	COIL REPLACEMENT	
	56305370	1	CHECK VALVE CARTRIDGE	
	56305354	1	SEAL KIT	
	56111201	1	SEAL KIT	
12	56900104	2	ELBOW 90 DEG.O/R -8 E00003	
13	56900304	1	ELBOW 90D W/NUT -8 E00007	
14	2-00-05253	1	CLAMP	
43	56110778	1	HOSE ASSY	
44	56110779	1	HOSE ASSY	
53	56110792	1	HOSE ASSY	
54	56110793	1	HOSE ASSY	
57	56110796	1	HOSE ASSY	

# SIDE BROOM HYDRAULIC ASSY - DUAL-ORFS

SC8000 1300 D NIL

2020.05.22

2020.05.26



# SIDE BROOM HYDRAULIC ASSY - DUAL-ORFS

SC8000 1300 D NIL

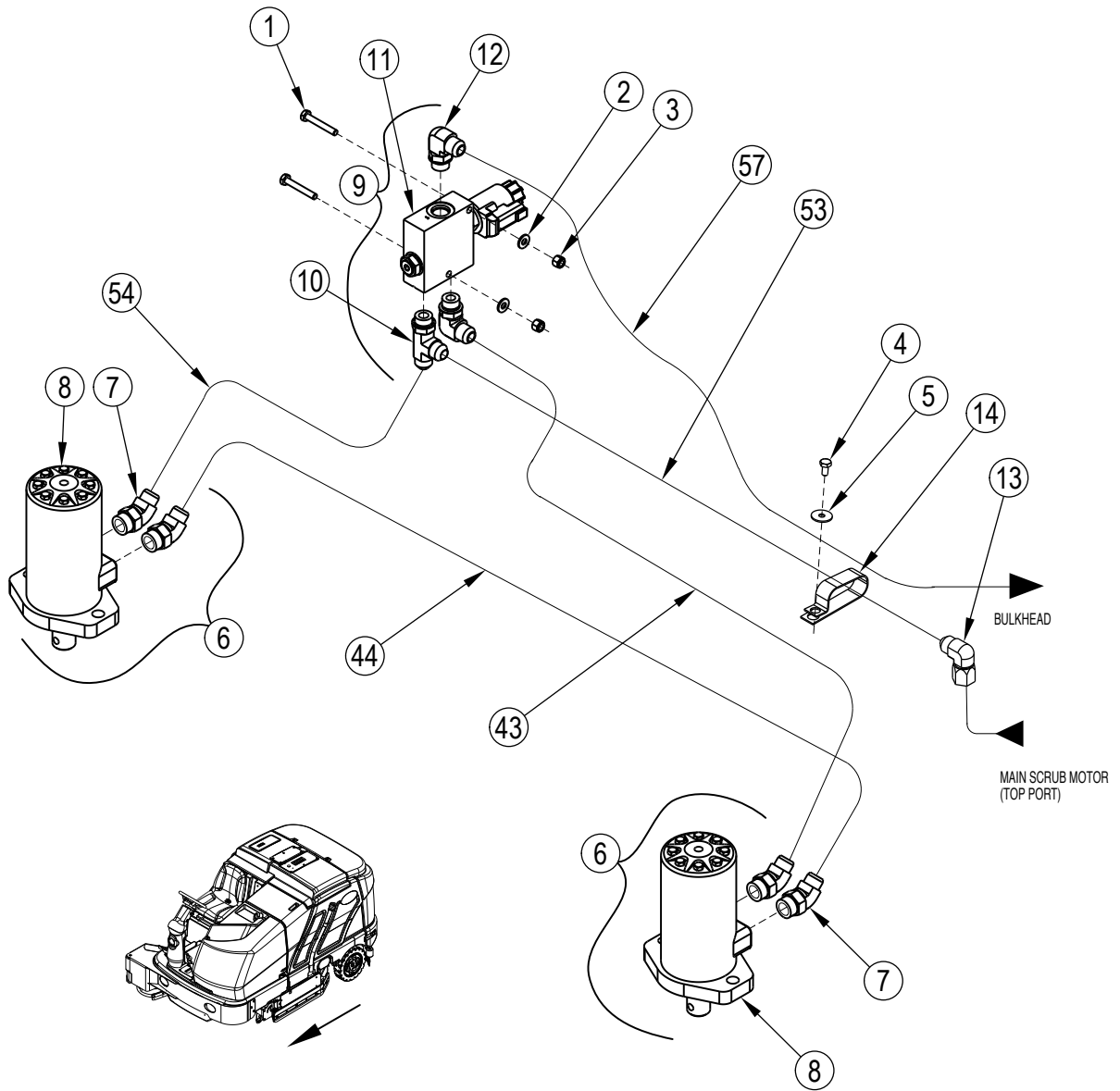
2020.05.22

2020.05.26

Pos.	Product no	QTY	Description	Notes
		1	Dual Side Broom Hyd Assy (items 1-13, 17, 20-22)	
1	2-00-05253	1	CLAMP	
2	7-33-02348	1		
3	7-33-02438	1	HOSE 8 STR STR 51 LG.	[1]
4	7-33-02663	1	HOSE 8 STR X 90 DEG 73 LONG	[1]
5	7-33-02734	1	HOSE-HYD ORS-8 90 TO STR 68	
6	56002491	5	NUT HEX NYL LOC SS 1/4-20	
7	56002801	1	SCR HEX SS 1/4-20 X .50	
8	56002859	8	WSH FLT SAE SS 1/4	
9	56003480	2	SCR-HEX SS 1/4-20 X 2.00	
10	56003844	3	SCR-HEX SS 1/4-20 X .88	
11	56003923	1	WSH-FLT SS .266 X .906 X .060	
12	56108253	1	HOSE-HYD-C4-1A4-1C4-1422	
13	56108273	1	SOLENOID VALVE ASSEMBLY-MOTOR	
14	2-00-04885	2	HYD.FITTING SAE TO OR 90 EL	
15	2-00-04924	1	FITTING-RUN TEE SAE8 TO ORS8	
16	56110711	1	SOLENOID VALVE MOTOR	
*	56507686	1	CARTRIDGE	[2]
*	56110715	1	COIL REPLACEMENT	[2]
*	56305370	1	CHECK VALVE CARTRIDGE	[2]
*	56305354	1	SEAL KIT	[2]
*	56111201	1	SEAL KIT	[2]
17	56108277	2	HYDRAULIC MOTOR ASSY-SWEEP	
18	2-00-04989	2	FITTING- HYD 8 ORS-10 SAE 45DG	[3]
19	56110411	1	MOTOR HYDRAULIC 17.9 CIR	
*	56479577	1	SEAL KIT	[4]
*	56307149	1	VITON SEAL KIT	[4]
20	2-00-05046	1	HYDRAULIC FITTING-8-ORS90	
21	56496276	5	CLAMP HOSE SUPPORT	
22	56508976	4	WRAP-SPIRAL-5/8IN DIA X 12IN	
23	56508975	1	WRAP-SPIRAL-5/8IN DIA X 6IN	

**Part Notes:**

- [1] - GUARANTEE DATE EXPIRED
- [2] - for 56110711
- [3] - NO LONGER AVAILABLE
- [4] - for 56110411



Pos.	Product no	QTY	Description	Notes
		1	Dual Side Broom Hyd Assy	[1]
1	56001967	2	SCR HEX 1/4-20 X 1.75	
2	56002098	2	H FLT SAE 1/4	
3	56002840	2	NUT HEX NYL LOC-THIN 1/4-20	
4	56003039	1	SCR HEX LOC 1/4-20 X .50	
5	56009002	1	WASHER FLAT .266X.906X.060	
6		2	Hydraulic Motor Assy	[2]
7	56900164	4	ELBOW 45D O/R -8-10 E00004	
8	56110411	2	MOTOR HYDRAULIC 17.9 CIR	
	56479577	1	SEAL KIT	[3]
	56307149	1	VITON SEAL KIT	[3]
9		1	Valve Assembly, Solenoid	[4]
10	56900204	1	TEE RUN O/R -8 E00005	
11	56110711	1	SOLENOID VALVE MOTOR	
	56507686	1	CARTRIDGE	[3]
	56110715	1	COIL REPLACEMENT	[3]
	56305370	1	CHECK VALVE CARTRIDGE	[3]
	56305354	1	SEAL KIT	[3]
	56111201	1	SEAL KIT	[3]
12	56900104	2	ELBOW 90 DEG.O/R -8 E00003	
13	56900304	1	ELBOW 90D W/NUT -8 E00007	
14	2-00-05253	1	CLAMP	
43	56110778	1	HOSE ASSY	
44	56110779	1	HOSE ASSY	
53	56110792	1	HOSE ASSY	
54	56110793	1	HOSE ASSY	
57	56110796	1	HOSE ASSY	

## Part Notes:

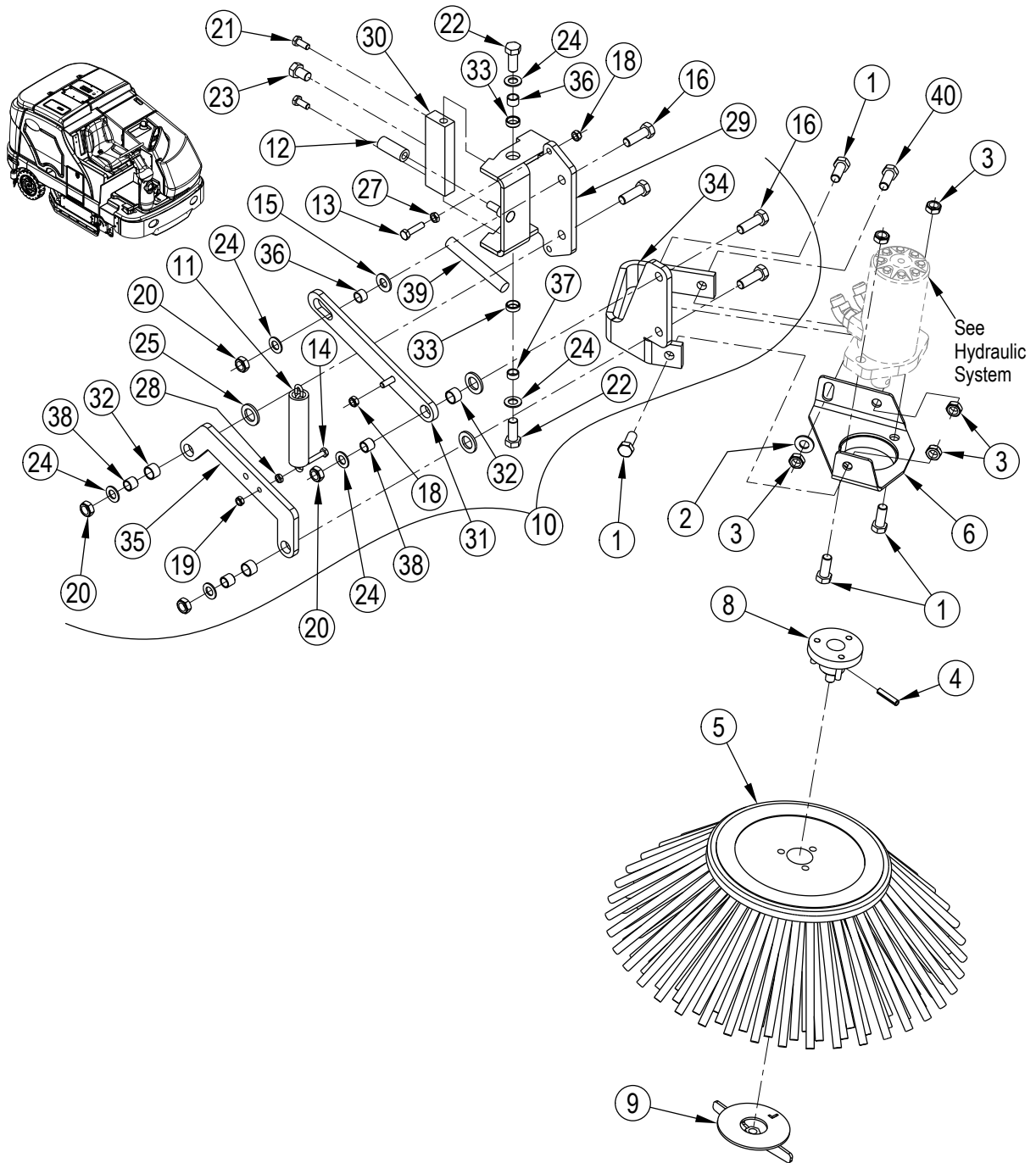
- [1] - items 1-14, 43, 44, 53, 54 57  
 [2] - items 7-8  
 [3] - Optional, Not Included  
 [4] - 10-12

# SIDE BROOM SUB ASSY - LEFT

SC8000 1300 D NIL

2018.02.14

2018.02.16



# SIDE BROOM SUB ASSY - LEFT

SC8000 1300 D NIL

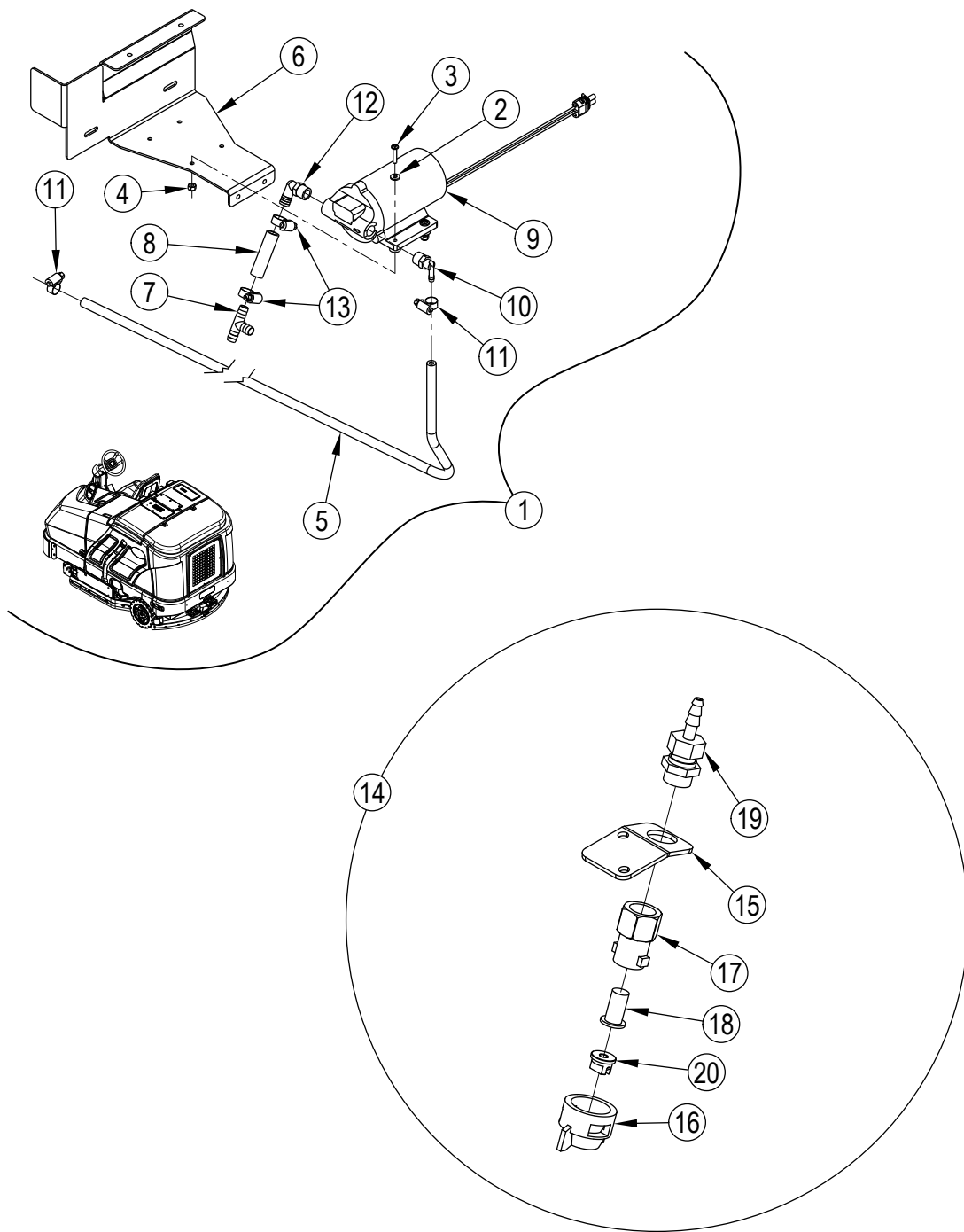
2018.02.14

2018.02.16

Pos.	Product no	QTY	Description	Notes
	56110278	1	SIDE BROOM ASSY-LT	[1]
1	56001831	4	SCR HEX 1/2-13 X 1.25	
2	56001879	1	WSH FLT SAE 1/2	
3	56002843	5	NUT HEX NYL LOC-THIN 1/2-13	
4	56003494	1	PIN SPRING 5/16 X 1.38	
5	56477812	1	BROOM SIDE H. DUTY	
6	56111966	1	LEFT SIDE BROOM BRKT WELDT	
8	56305723	1	LEFT SIDE BROOM HUB ASSY	
9	56305725	1	LEFT THUMB NUT WELDMENT	
10	56110279	1	ARM ASSEMBLY-LT	[2]
11	56407335	1	CHAIN ASSEMBLY	
12	56761327	1	SPRING COMP.73X1.75 E00453	
13	56001834	1	SCR HEX 5/16-18 X 1.25	
14	56001878	1	SCR HEX 1/4-20 X 1.25	
15	56001879	1	WSH FLT SAE 1/2	
16	56001968	4	SCR HEX 1/2-13 X 1.50	
18	56002826	2	NUT HEX NYL LOC-THIN 5/16-18	
19	56002840	1	NUT HEX NYL LOC-THIN 1/4-20	
20	56002843	4	NUT HEX NYL LOC-THIN 1/2-13	
21	56002956	2	SCR HEX LOC 5/16-18 X .75	
22	56003022	2	SCR HEX LOC 1/2-13 X 1.25	
23	56003032	1	SCR HEX LOC 1/2-13 X .75	
24	56009017	6	WSH FLT HDN .516X.938X.075	
25	56009022	3	WSH FLT .752/.756X1.250X.125	
27	56009086	1	NUT HEX JAM 5/16-18	
28	56009087	1	NUT HEX JAM 1/4-20	
29	56111962	1	HINGE WELDT	
30	56110290	1	PIVOT BLOCK	
31	56111961	1	ARM-SIDE BROOM UPPER	
32	56304586	3	BEARING .750X.625X.500	
33	56304893	2	BEARING SLEEVE .625X.750X..25	
34	56111963	1	BRKT-LEFT SIDE BROOM	
35	56111964	1	ARM-SIDE BROOM LOWER	
36	56360627	2	BUSHING .50X.62X.41CT32G	
37	56365030	1	BUSHING CA334D	
38	56367206	3	BUSHING CV32G	
39	56448112	1	SPRING EXTENSION	
40	56001895	1	SCR HEX 1/2-13 X 1.00	

**Part Notes:**

- [1] - (items 1-10)
- [2] - (items 11-39)



# SIDE BROOM SUB ASSY - PUMP

SC8000 1300 D NIL

2017.11.02

2019.08.06

Pos.	Product no	QTY	Description	Notes
1		1	Pump Assembly (items 2-13)	
2	56001954	4	WSH FLT SAE 10	
3	56002674	4	SCR PAN PHIL 10-24 X 1.00	
4	56002768	4	NUT HEX NYL LOC 10-24	
5	56111477	1	HOSE POLYEST BRAID .25ID X 100	
6	56384010	1	BRACKET-PUMP MOUNT	[1]
7	56262549	1	TEE E00455	
8	56392347	1	TUBE PVC .500X 2.50 E00199	
9	56507851	1	PUMP 24 VDC	
10	56508442	1	ELBOW BARB 1/4 X 3/8 NPT	
11	56756364	2	CLAMP HOSE SAE 4 E00047	
12	56900069	1	BARB 90 ELBOW 1/2 X 3/8NPT	
13	56219932	2	CLAMP HOSE SAE 6 E00047	
14	56111261	1	NOZZLE ASSY	[2]
15	56111956	1	BRKT-SPRAY NOZZLE	
16	56507908	1	CAP NOZZLE	
17	56507909	1	ADAPTER NOZZLE	
18	56507916	1	STRAINER CHECK VALVE 5 PSI	
19	56508449	1	NOZZLE ADAPTOR	
20	56508450	1	NOZZLE SPRAY	

**Part Notes:**

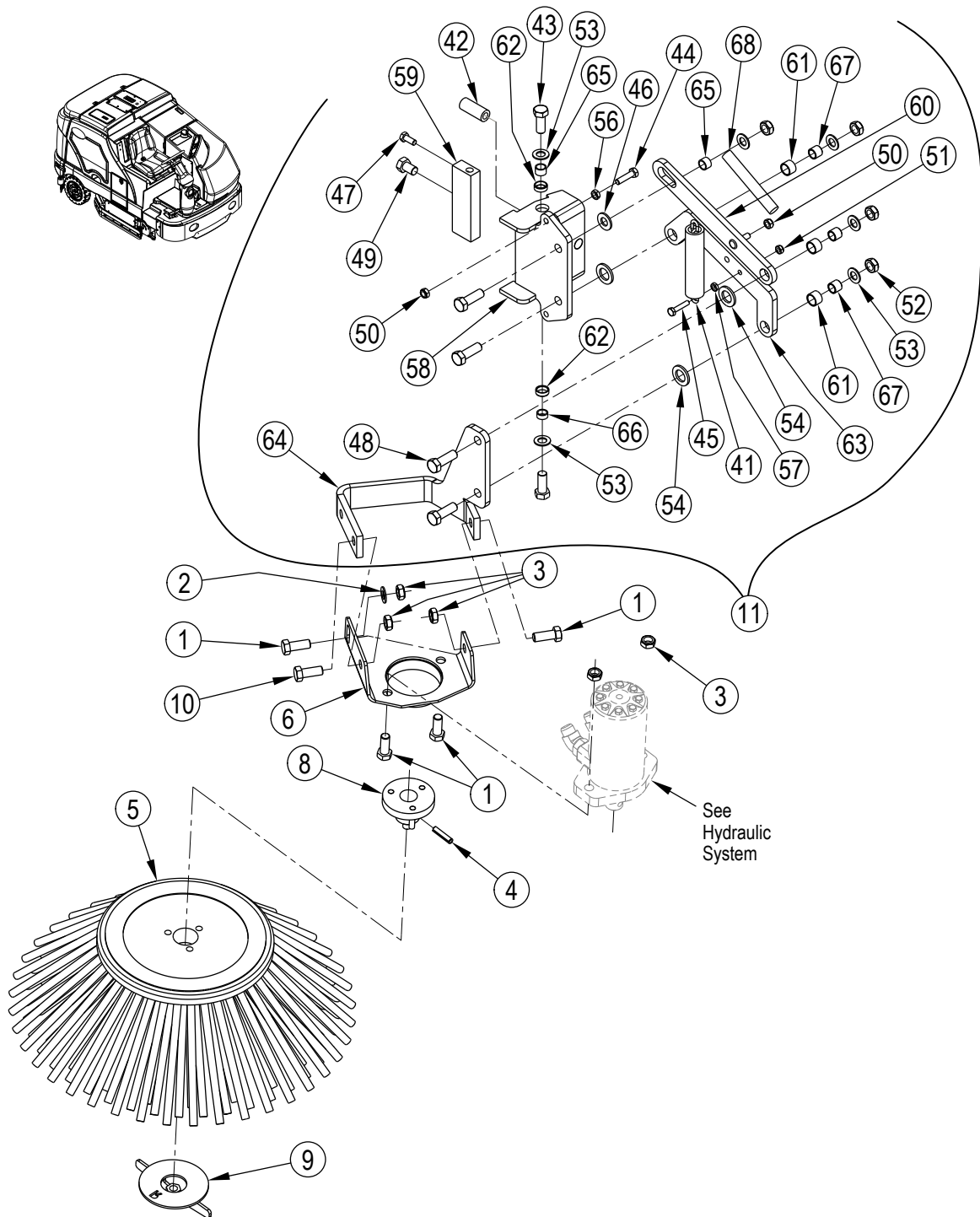
- [1] - TSB-FC-2014-032 SC8000 Condor XL Pumps Failing  
DE TSB-FC-2014-032 SC8000 ER1300 Reinigungsmittelpumpe defekt
- [2] - (items 15-20)

# SIDE BROOM SUB ASSY - RIGHT

SC8000 1300 D NIL

2018.02.14

2018.02.16



# SIDE BROOM SUB ASSY - RIGHT

SC8000 1300 D NIL

2018.02.14

2018.02.16

Pos.	Product no	QTY	Description	Notes
	56110288	1	SIDE BROOM ASSY-RT	[1]
1	56001831	4	SCR HEX 1/2-13 X 1.25	
2	56001879	1	WSH FLT SAE 1/2	
3	56002843	5	NUT HEX NYL LOC-THIN 1/2-13	
4	56003494	1	PIN SPRING 5/16 X 1.38	
5	56477812	1	BROOM SIDE H. DUTY	
6	56111960	1	MOTOR BRKT WELDT	
8	56418543	1	RIGHT SIDE BROOM HUB ASSY	
9	56305731	1	RIGHT THUMB NUT WELDMENT	
10	56001895	1	SCR HEX 1/2-13 X 1.00	
11	56110289	1	ARM ASSEMBLY-RT	[2]
41	56407335	1	CHAIN ASSEMBLY	
42	56761327	1	SPRING COMP.73X1.75 E00453	
43	56003022	2	SCR HEX LOC 1/2-13 X 1.25	
44	56001834	1	SCR HEX 5/16-18 X 1.25	
45	56001878	1	SCR HEX 1/4-20 X 1.25	
46	56001879	1	WSH FLT SAE 1/2	
47	56002956	1	SCR HEX LOC 5/16-18 X .75	
48	56001968	4	SCR HEX 1/2-13 X 1.50	
49	56003032	1	SCR HEX LOC 1/2-13 X .75	
50	56002826	2	NUT HEX NYL LOC-THIN 5/16-18	
51	56002840	1	NUT HEX NYL LOC-THIN 1/4-20	
52	56002843	4	NUT HEX NYL LOC-THIN 1/2-13	
53	56009017	6	WSH FLT HDN .516X.938X.075	
54	56009022	3	WSH FLT .752/.756X1.250X.125	
56	56009086	1	NUT HEX JAM 5/16-18	
57	56009087	1	NUT HEX JAM 1/4-20	
58	56111962	1	HINGE WELDT	
59	56110290	1	PIVOT BLOCK	
60	56111961	1	ARM-SIDE BROOM UPPER	
61	56304586	3	BEARING .750X.625X.500	
62	56304893	2	BEARING SLEEVE .625X.750X..25	
63	56111964	1	ARM-SIDE BROOM LOWER	
64	56111965	1	BRKT-SIDE BROOM	
65	56360627	2	BUSHING .50X.62X.41CT32G	
66	56365030	1	BUSHING CA334D	
67	56367206	3	BUSHING CV32G	
68	56448112	1	SPRING EXTENSION	

**Part Notes:**

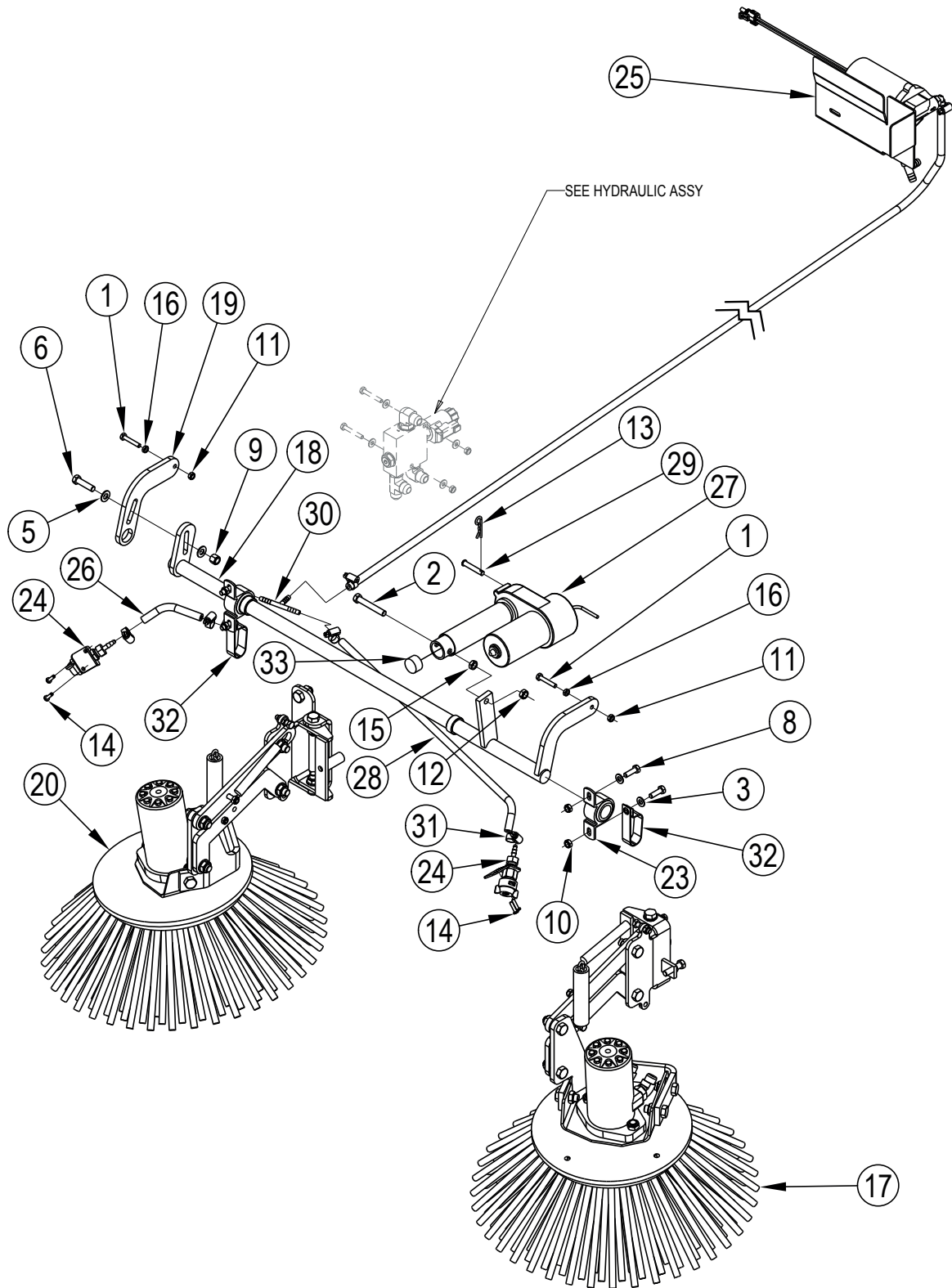
- [1] - (items 1-10)
- [2] - (items 41-68)

# SIDE BROOM SYSTEM - DUAL

SC8000 1300 D NIL

2017.11.02

2019.08.06



# SIDE BROOM SYSTEM - DUAL

SC8000 1300 D NIL

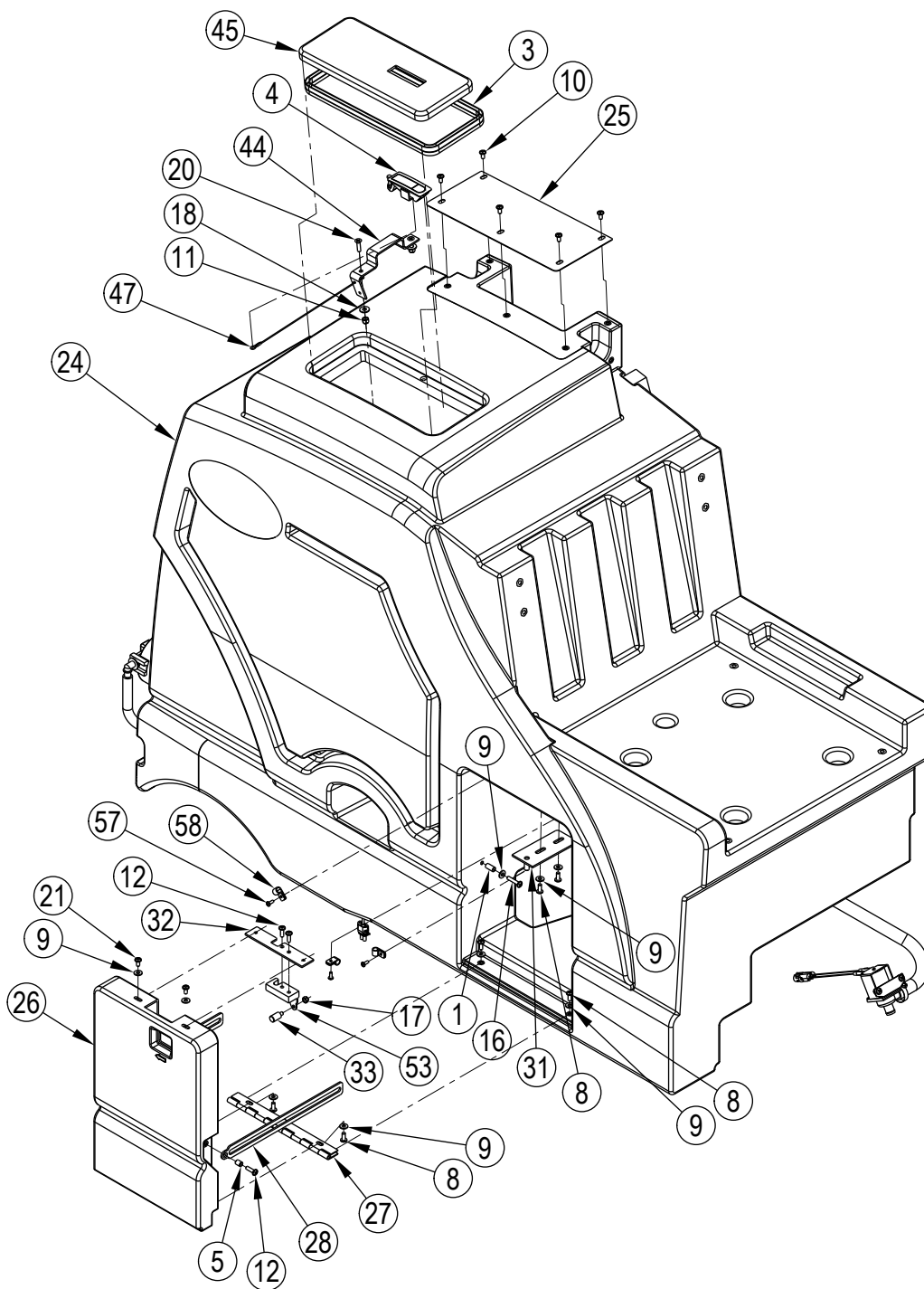
2017.11.02

2019.08.06

Pos.	Product no	QTY	Description	Notes
1	56001833	2	SCR HEX 1/4-20 X 1.50	
2	56001873	1	SCR HEX 3/8-16 X 2.50	
3	56001939	4	WSH FLT SAE 5/16	
5	56002063	2	WSH FLT SAE 3/8	
6	56002747	1	SCR HEX THD/HD 3/8-16 X 1.50	
8	56002221	4	SCR HEX 5/16-18 X 1.00	
9	56002769	1	NUT HEX NYL LOC 3/8-16	
10	56002826	4	NUT HEX NYL LOC-THIN 5/16-18	
11	56002840	2	NUT HEX NYL LOC-THIN 1/4-20	
12	56002841	1	NUT HEX NYL LOC-THIN 3/8-16	
13	56003222	1	PIN COT HAIR .125 X DIA.50/.75	
14	56009005	4	SCR PANPHILS TYPE A 10-16X.75	
15	56009085	1	NUT HEX JAM 3/8-16	
16	56009087	2	NUT HEX JAM 1/4-20	
17	56110278	1	SIDE BROOM ASSY-LT	[1]
18	56111958	1	SIDE BROOM LIFT WELDT	
19	56111959	1	LEVER	
20	56110288	1	SIDE BROOM ASSY-RT	[1]
	56110547	1	HARNES SIDE SCRUB	
		1	Dual Side Broom Hyd Assy	
23	56111199	2	BEARING-PILLOW BLOCK	
24	56111261	2	NOZZLE ASSY	[2]
25		1	Pump Assembly	
26	56260841	1	TUBE 1/4 X 7 BRAID E00160	
27	56305008	1	ACTUATOR MOTOR	
28	56317122	1	HOSE .25X25.0 E00160	
29	56004076	1	PIN-CLEVIS .312 X 1.625	
30	56508441	1	TEE 1/4 HOSE BARB	
31	56756364	4	CLAMP HOSE SAE 4 E00047	
32	2-00-05253	2	CLAMP	
33	56305798	1	FOAM SEAL	

**Part Notes:**

- [1] - (items 1-10)
- [2] - (items 15-20)

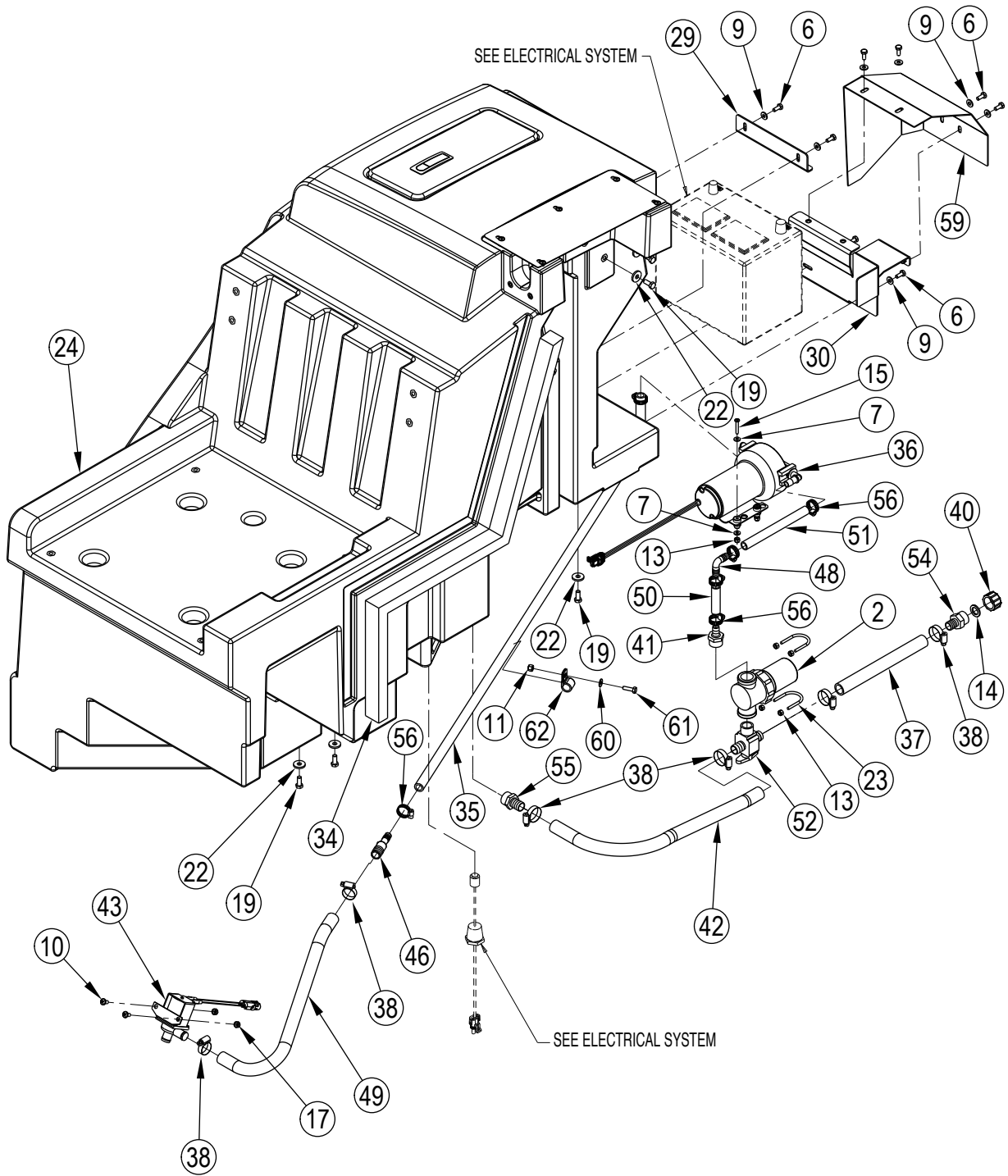


Pos.	Product no	QTY	Description	Notes
1	56330741	2	BUSHING 1/4X3/8X3/4	
2	56407162	1	FILTER	
	56384157	1	GASKET-FILTER	[1]
3	56407282	1	GASKET	
4	56418471	1	DOOR LATCH	
5	56330027	2	BUSHING	
6	56001836	8	SCR HEX 1/4-20 X .62	
7	56001954	8	WSH FLT SAE 10	
8	56002066	6	SCR PAN PHIL 1/4-20 X .62	
9	56002098	18	H FLT SAE 1/4	
10	56002145	7	SCR PAN PHIL 1/4-20 X .50	
11	56002491	3	NUT HEX NYL LOC SS 1/4-20	
12	56002507	4	SCR PAN PHIL 1/4-20 X .75	
13	56002768	8	NUT HEX NYL LOC 10-24	
14	56368776	1	WSH FLT RUBBER .625CV80L	
15	56002824	4	SCR PAN PHIL 10-24X1.25	
16	56002825	2	SCR PAN PHIL 1/4-20 X 1.25	
17	56002840	3	NUT HEX NYL LOC-THIN 1/4-20	
18	56002914	2	WSH FLT STD SS 1/4	
19	56002956	5	SCR HEX LOC 5/16-18 X .75	
20	56003074	2	SCR FLT PHIL SS 1/4-20X1.00	
21	56009062	2	SCR PAN PHIL THD FORM1/4-20X.5	
22	56009122	5	WSH FLT .344X.938X.125	
23	56110318	2	U-BOLT 10-24 X R.69	
24	56110380	1	TANK SOLUTION	
25	56110636	1	COVER	
26	56110740	1	COVER CHEMICAL INJECTION	
27	56110741	1	HINGE	
28	56110744	2	SUPPORT DOOR	
29	56110893	1	BRACKET BATTERY UPPER	
30	56384010	1	BRACKET-PUMP MOUNT	[2]
31	56110917	1	LATCH PIN WLDMT	
32	56110918	1	PLATE LATCH MOUNT	
33	56110919	1	LATCH PIN	
34	56111066	1	SEAL SOLUTION TANK	
35	56111122	1	HOSE SPIRAL .50 X 69.0	
36	56111387	1	PUMP ASSY 12VDC 60PSI	[3]
37	56111458	1	HOSE .75 X 9.50	
38	56112771	6	CLAMP HOSE SAE 10 E00047	
40	56255076	1	CAP PIPE GHT NYLON FA33K	
41	56262190	1	BARB	
42	56264262	1	HOSE SPIRAL .750 E00605	
43	56305103	1	SOLENOID VALVE ASSEMBLY	[4]
44	56305206	1	PLATE LATCH	
45	56305209	1	COVER SOLUTION TANK	
46	56315625	1	BARB COUPLER 3/4 X 1/2	
47	56330391	1	WIRE ROPE ASSY 12.0	
48	56386183	1	HOSE BARB 90 DEG	
49	56392833	1	TUBE SPIRAL E00605	
50	56392347	1	TUBE PVC .500X 2.50 E00199	
51	56397207	1	HOSE PVC .500X7.00 E00199	
52	56413581	1	VALVE T SHUTOFF	
53	56413802	1	LATCH RH	
54	56900273	1	BARB HOSE E00039	
55	56456801	1	HOSE INSERT 3/4 NPT E00039	
56	56219932	6	CLAMP HOSE SAE 6 E00047	
57	56001993	3	SCREW 10-24 X 0.5 ZINC PL	
58	56172017	3	P-CLIP E00129	
59	56383999	1	SHIELD-SPRAY	

Pos.	Product no	QTY	Description	Notes
60	56002859	1	WSH FLT SAE SS 1/4	
61	56003844	1	SCR-HEX SS 1/4-20 X .88	
62	56419120	1	CLAMP HOSE SUPPORT 56E00616	

Part Notes:

- [1] - for 56407162. Not Shown
- [2] - TSB-FC-2014-032 SC8000\_Condor XL Pumps Failing  
DE TSB-FC-2014-032 SC8000 ER1300 Reinigungsmittelpumpe defekt
- [3] - TSB-FC-2013-135 56111342 Solution Pump
- [4] - TSB-FC-2015-023-Various Machines -Clean water leaking from machine when  
DE TSB-FC-2015-023 Div. Maschinen - Undichtes Magnetventil

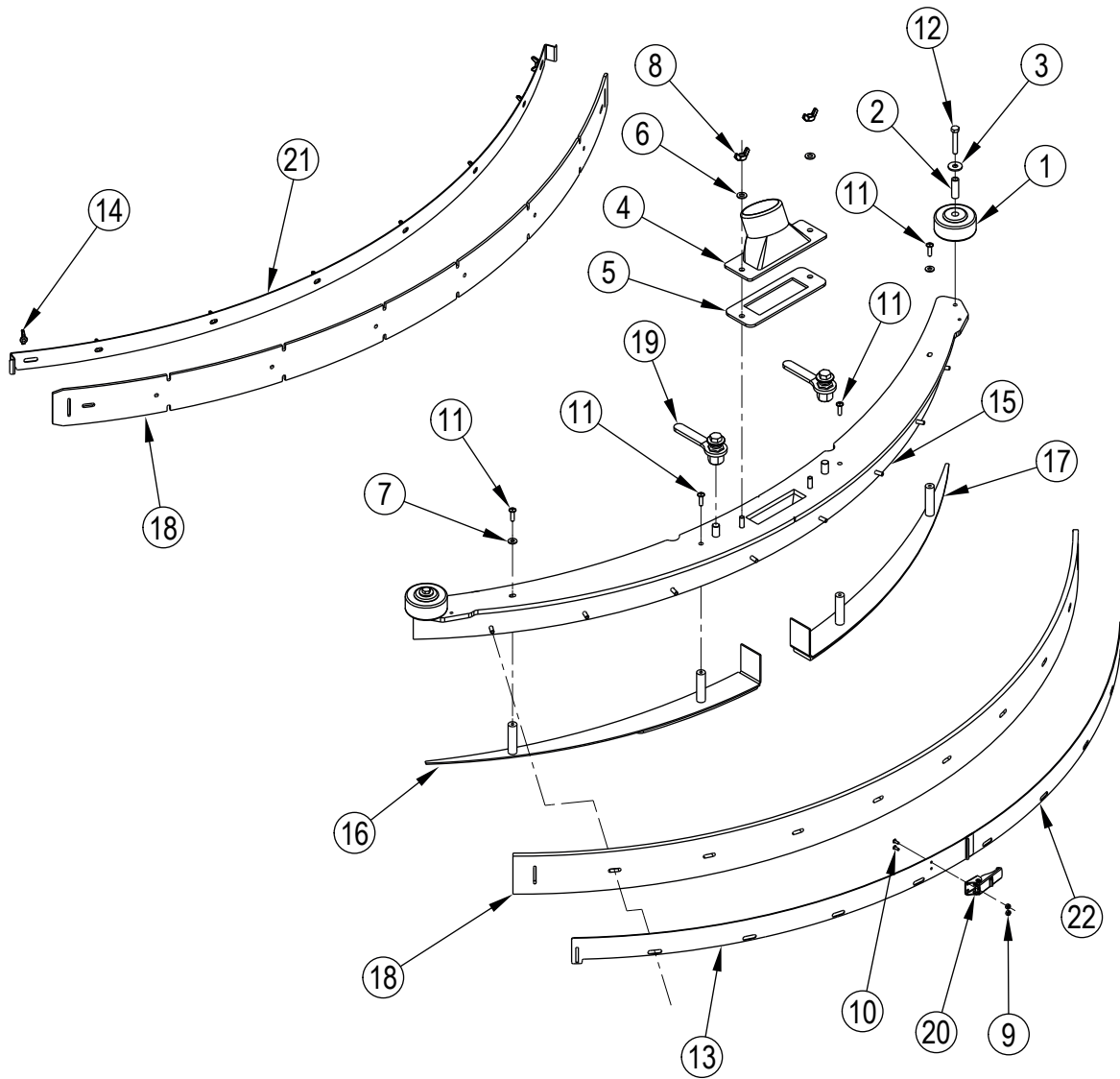


Pos.	Product no	QTY	Description	Notes
1	56330741	2	BUSHING 1/4X3/8X3/4	
2	56407162	1	FILTER	
	56384157	1	GASKET-FILTER	[1]
3	56407282	1	GASKET	
4	56418471	1	DOOR LATCH	
5	56330027	2	BUSHING	
6	56001836	8	SCR HEX 1/4-20 X .62	
7	56001954	8	WSH FLT SAE 10	
8	56002066	6	SCR PAN PHIL 1/4-20 X .62	
9	56002098	18	H FLT SAE 1/4	
10	56002145	7	SCR PAN PHIL 1/4-20 X .50	
11	56002491	3	NUT HEX NYL LOC SS 1/4-20	
12	56002507	4	SCR PAN PHIL 1/4-20 X .75	
13	56002768	8	NUT HEX NYL LOC 10-24	
14	56368776	1	WSH FLT RUBBER .625CV80L	
15	56002824	4	SCR PAN PHIL 10-24X1.25	
16	56002825	2	SCR PAN PHIL 1/4-20 X 1.25	
17	56002840	3	NUT HEX NYL LOC-THIN 1/4-20	
18	56002914	2	WSH FLT STD SS 1/4	
19	56002956	5	SCR HEX LOC 5/16-18 X .75	
20	56003074	2	SCR FLT PHIL SS 1/4-20X1.00	
21	56009062	2	SCR PAN PHIL THD FORM1/4-20X.5	
22	56009122	5	WSH FLT .344X.938X.125	
23	56110318	2	U-BOLT 10-24 X R.69	
24	56110380	1	TANK SOLUTION	
25	56110636	1	COVER	
26	56110740	1	COVER CHEMICAL INJECTION	
27	56110741	1	HINGE	
28	56110744	2	SUPPORT DOOR	
29	56110893	1	BRACKET BATTERY UPPER	
30	56384010	1	BRACKET-PUMP MOUNT	[2]
31	56110917	1	LATCH PIN WLDMT	
32	56110918	1	PLATE LATCH MOUNT	
33	56110919	1	LATCH PIN	
34	56111066	1	SEAL SOLUTION TANK	
35	56111122	1	HOSE SPIRAL .50 X 69.0	
36	56111387	1	PUMP ASSY 12VDC 60PSI	[3]
37	56111458	1	HOSE .75 X 9.50	
38	56112771	6	CLAMP HOSE SAE 10 E00047	
40	56255076	1	CAP PIPE GHT NYLON FA33K	
41	56262190	1	BARB	
42	56264262	1	HOSE SPIRAL .750 E00605	
43	56305103	1	SOLENOID VALVE ASSEMBLY	[4]
44	56305206	1	PLATE LATCH	
45	56305209	1	COVER SOLUTION TANK	
46	56315625	1	BARB COUPLER 3/4 X 1/2	
47	56330391	1	WIRE ROPE ASSY 12.0	
48	56386183	1	HOSE BARB 90 DEG	
49	56392833	1	TUBE SPIRAL E00605	
50	56392347	1	TUBE PVC .500X 2.50 E00199	
51	56397207	1	HOSE PVC .500X7.00 E00199	
52	56413581	1	VALVE T SHUTOFF	
53	56413802	1	LATCH RH	
54	56900273	1	BARB HOSE E00039	
55	56456801	1	HOSE INSERT 3/4 NPT E00039	
56	56219932	6	CLAMP HOSE SAE 6 E00047	
57	56001993	3	SCREW 10-24 X 0.5 ZINC PL	
58	56172017	3	P-CLIP E00129	
59	56383999	1	SHIELD-SPRAY	

Pos.	Product no	QTY	Description	Notes
60	56002859	1	WSH FLT SAE SS 1/4	
61	56003844	1	SCR-HEX SS 1/4-20 X .88	
62	56419120	1	CLAMP HOSE SUPPORT 56E00616	

## Part Notes:

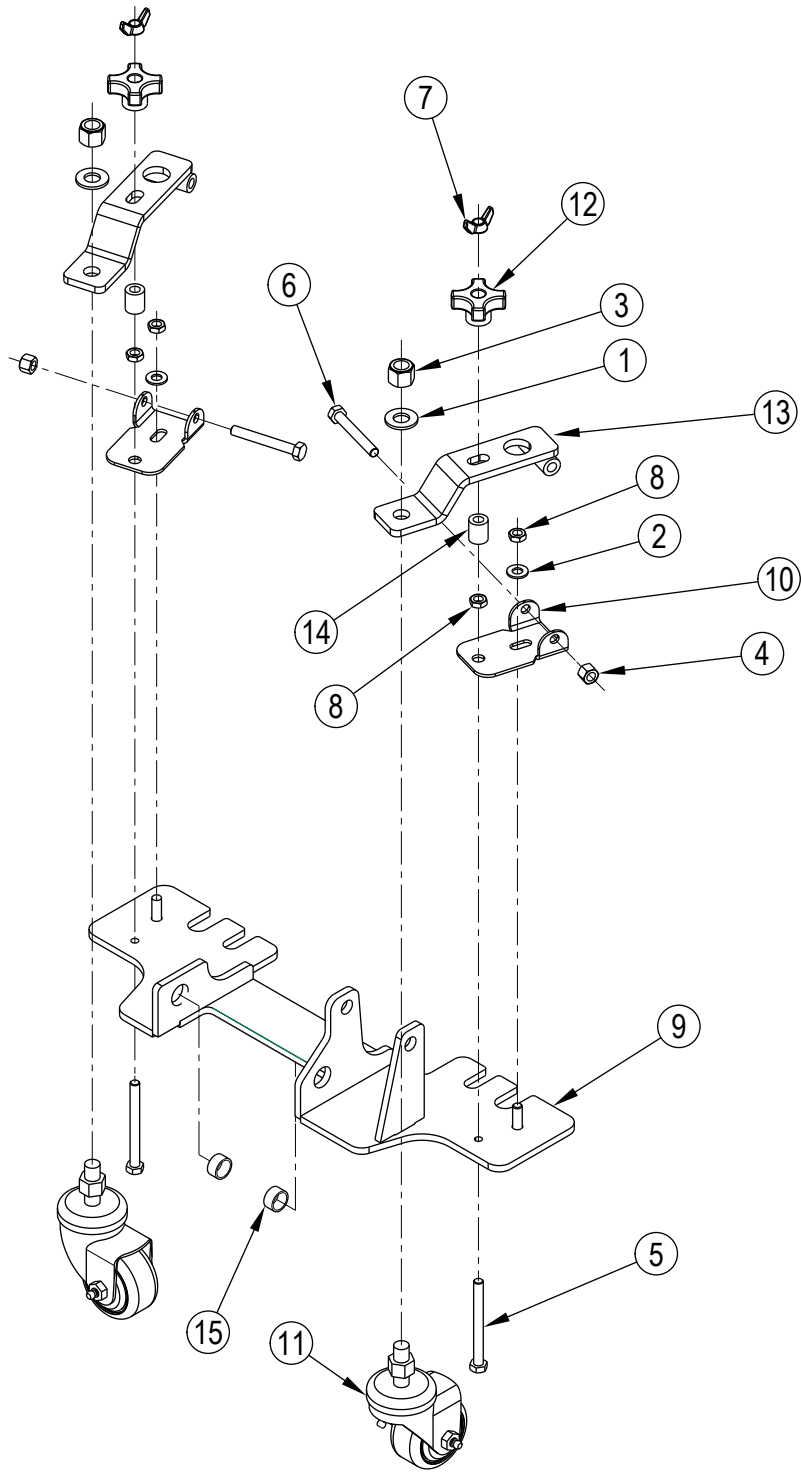
- [1] - for 56407162. Not Shown
- [2] - TSB-FC-2014-032 SC8000\_Condor XL Pumps Failing  
DE TSB-FC-2014-032 SC8000 ER1300 Reinigungsmittelpumpe defekt
- [3] - TSB-FC-2013-135 56111342 Solution Pump
- [4] - TSB-FC-2015-023-Various Machines -Clean water leaking from machine when  
DE TSB-FC-2015-023 Div. Maschinen - Undichtes Magnetventil



Pos.	Product no	QTY	Description	Notes
	56110873	1	SQUEEGEE ASSEMBLY	[1]
1	56386127	2	WHEEL 3.00X1.25 CL415	
2	56454249	2	BUSHING	
3	56003646	2	WSH FLT SS M8	
4	56459102	1	ADAPTOR	
5	56459281	1	GASKET INLET	
6	56002938	2	WSH FLT SAE SS 5/16	
7	56002859	2	WSH FLT SAE SS 1/4	
8	56002370	2	NUT WING 5/16-18	
9	56002907	2	NUT HEX NYL LOC SS 6-32	
10	56002909	2	SCR PAN PHIL SS 6-32 X .38	
11	56003087	4	SCR PAN PHIL SS 1/4-20X .88	
12	56003802	2	SCR- HEX SS M8-1.25 X 50MM	
13	56109621	1	STRAP REAR H	[2]
14	56009111	8	NUT WING S.S. 1/4-20	
15		1	Squeegee Weldment	[3]
16	56111938	1	LEFT PLATE WELDT	
17	56111939	1	RIGHT PLATE WELDT	
18	56111650	1	BLADE KIT-SQGEE-LINATEX-H	
	56413642	1	BLADE-SQGEE-LINATEX-RR-H	[4]
	56111652	1	BLADE KIT-SQUEEG GUM RUBBER H	
	56413710	1	BLADE SQUEEGEE GUM RR H	[5]
	56111203	1	BLADE KIT SQUEEGEE-POLYURETHAN	
	56111205	1	BLADE REAR SQ PU H 63	[6]
19	56305616	2	CRANK ASSEMBLY	
20	56471194	1	LATCH ASSY RE32	
21	56109620	1	STRAP FRONT H	[2]
22	56109677	1	STRAP-REAR H	[2]

## Part Notes:

- [1] - (items 1-22)
- [2] - Items 13, 21 22 can be ordered as Strap Kit H 56109622.
- [3] - The squeegee weldment is not available for sale separately. If you need to replace your squeegee weldment please order the complete Squeegee Assy  
56110873.
- [4] - (included with 56111650)
- [5] - (included with 56111652)
- [6] - (included with 56111203)



# SQUEEGEE MOUNT ASSY

SC8000 1300 D NIL

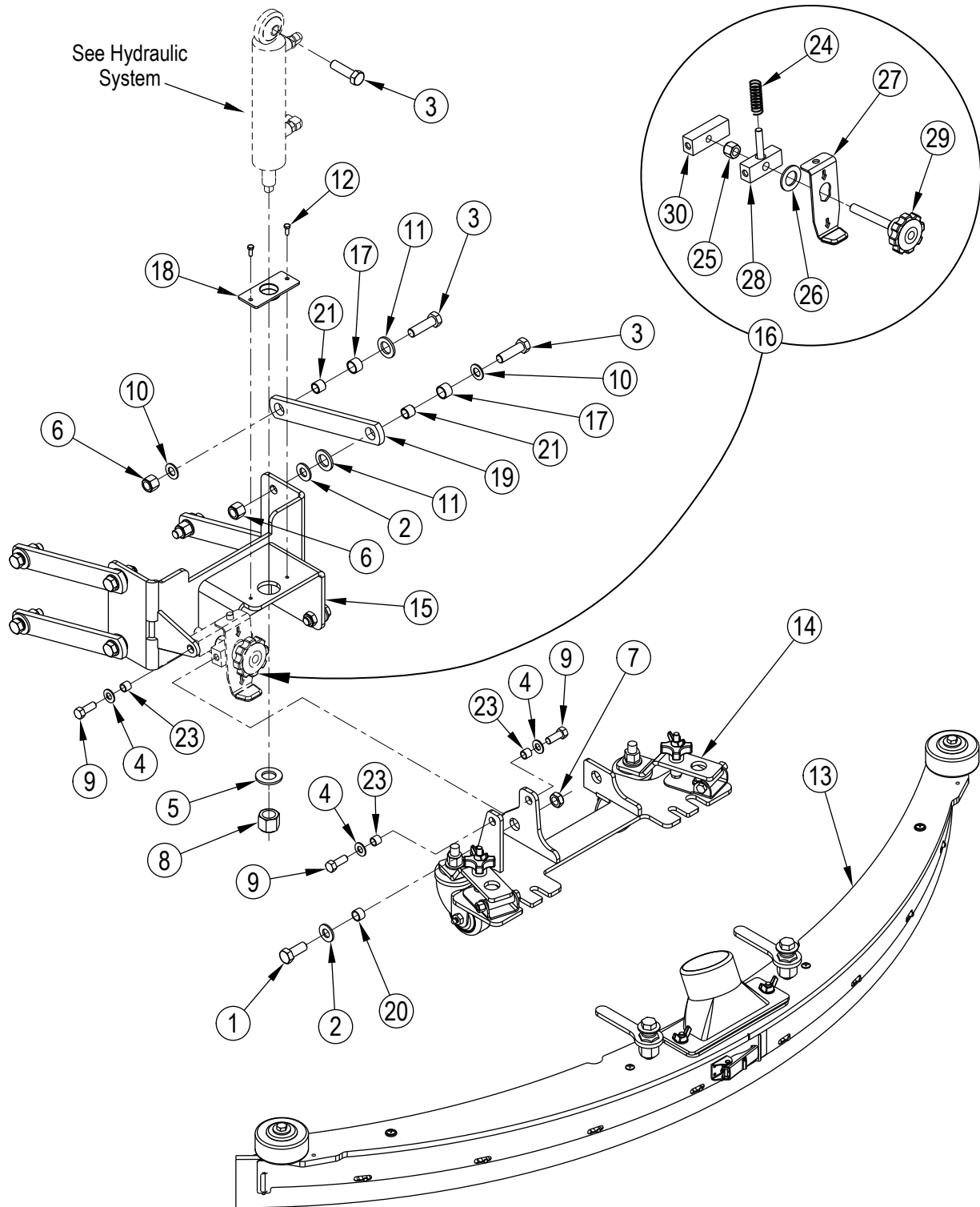
2020.01.13

2020.01.14

Pos.	Product no	QTY	Description	Notes
	56110886	1	SQUEEGE MOUNT ASSEMBLY	[1]
1	56001879	2	WSH FLT SAE 1/2	
2	56002938	2	WSH FLT SAE SS 5/16	
3	56002770	2	NUT HEX NYL LOC 1/2-13	
4	56003405	2	NUT HEX NYL LOC SS M8X1.25	
5	56003463	2	SCR HEX TO HD SS 5/16-18X3.25	
6	56003464	2	SCR HEX SS M8-1.25 X 60MM	
7	56003465	2	NUT WING SS 5/16-18	
8	56009141	4	NUT HEX JAM SS 5/16-18	
9	56111934	1	SQUEEGEE MOUNT WELDT	
10	56111936	2	BRACKET	
11	56407344	2	CASTER-STUD MOUNT-2.50 X 1.25	
12	56407510	2	KNOB	
13	56111935	2	CASTER BRACKET WELDT	
14	56111803	2	BUSHING .340 X .625 X .76	
15	56370878	2	BEARING SLEEVE .627CV213FE0202	

**Part Notes:**

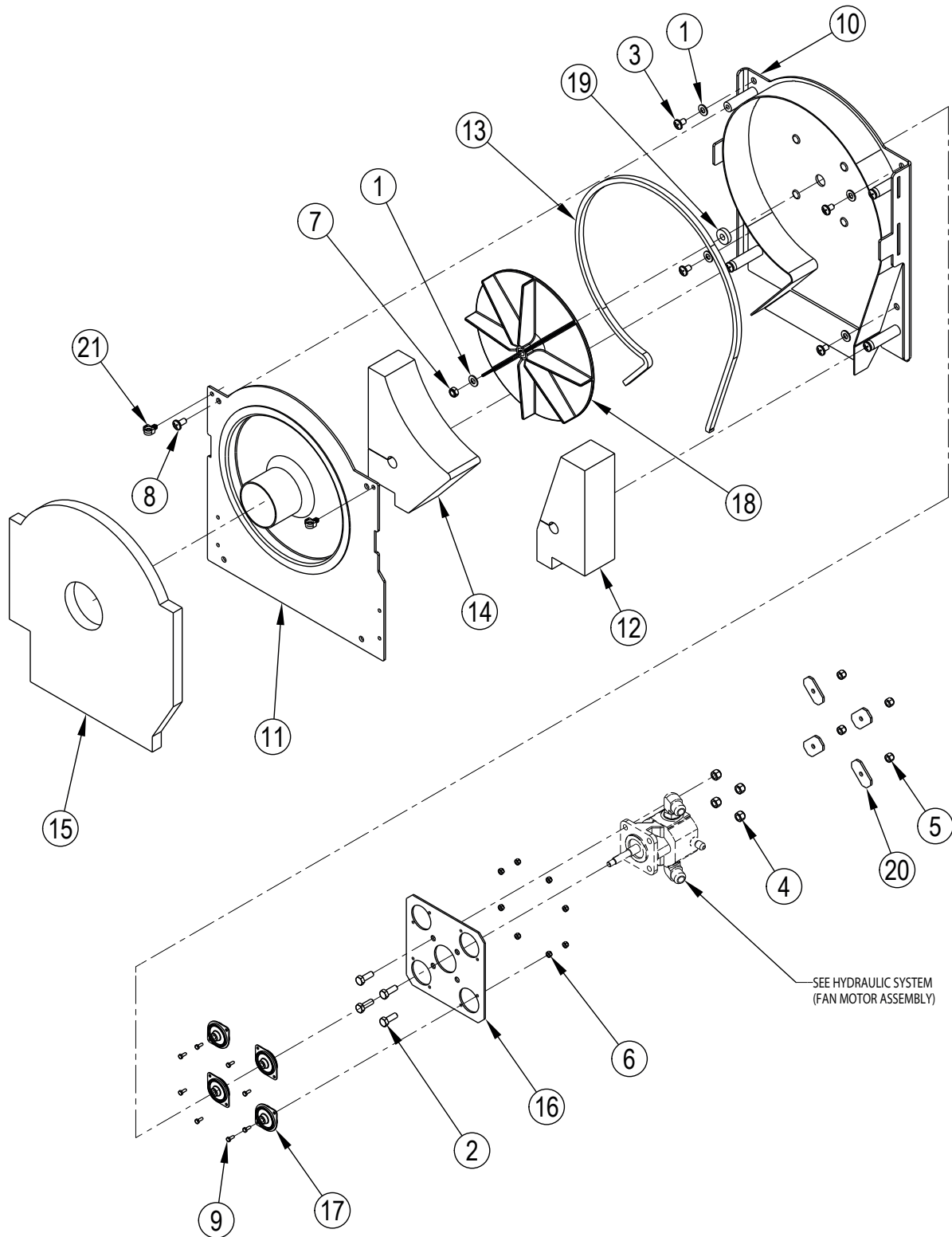
[1] - items 1-14



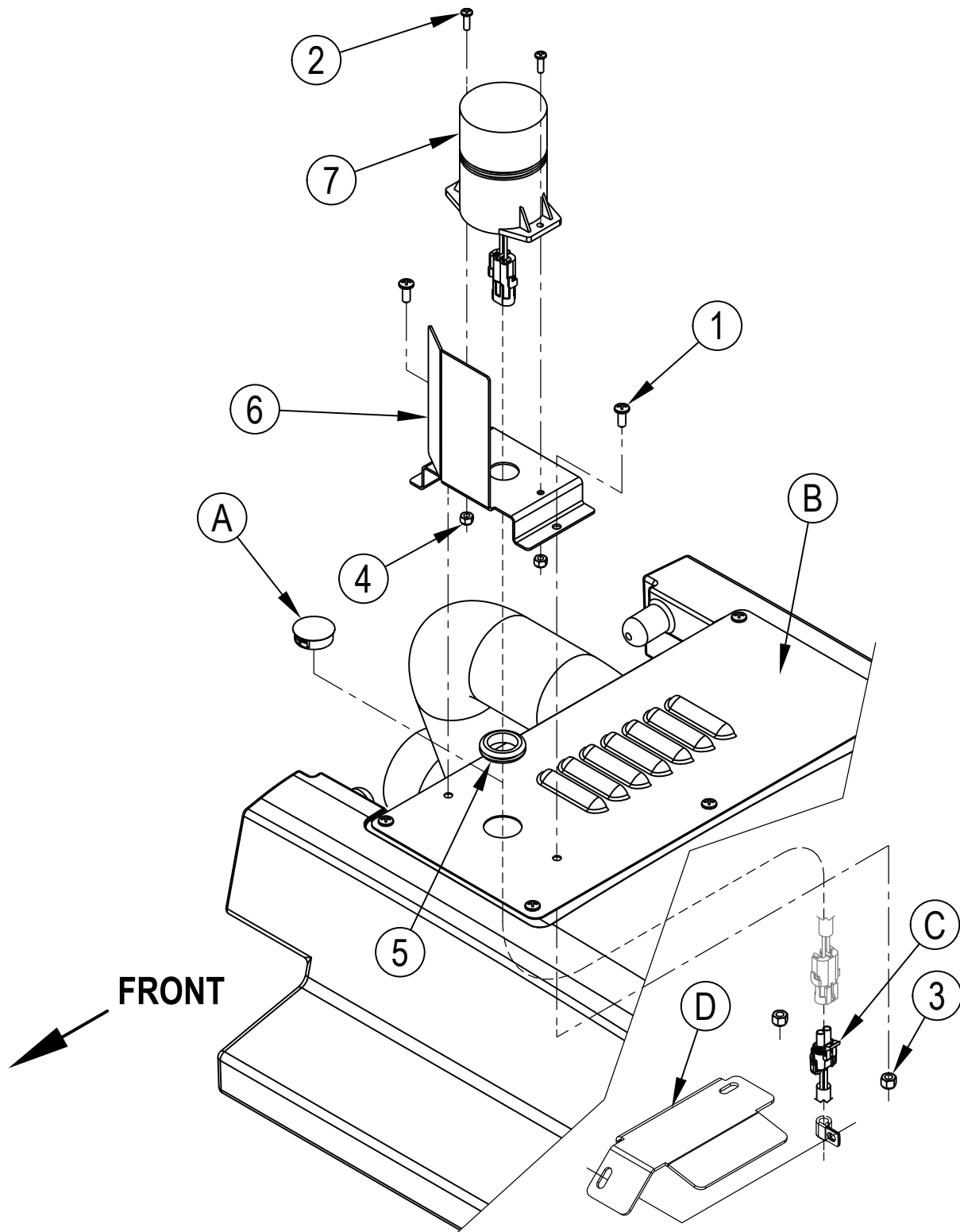
Pos.	Product no	QTY	Description	Notes
1	56003452	2	SCR HX THD TO HDSS 1/2-13X1.25	[1]
2	56002918	6	WSH FLT SAE SS 1/2	
3	56002888	9	SCR HEX HD SS 1/2-13X1 75	
4	56002910	4	WSH FLT SAE SS 3/8	
5	56003852	1	WSH-FLT SAE SS 3/4	
6	56002846	8	NUT HEX NYL LOC SS 1/2-13	
7	56002854	2	NUT HEX NYL LOC-THIN SS 1/2-13	
8	56002862	1	NUT HEX NYL LOC 3/4-10	
9	56003914	4	SCR-HEX LOC SS 3/8-16 X 1.00	
10	56009017	8	WSH FLT HDN .516X.938X.075	
11	56009022	8	WSH FLT .752/.756X1.250X.125	
12	56009039	2	SCR HEX THD FORM 10-24X .50	
13	56110873	1	SQUEEGEE ASSEMBLY	[2]
14	56110886	1	SQUEEGEE MOUNT ASSEMBLY	[3]
15	56111940	1	SQUEEGEE LIFT WELDMENT	
16	56111731	1	ADJUSTER ASSY	[4]
17	56304586	8	BEARING .750X.625X.500	
18	56304590	1	PLATE GUIDE	
19	56111931	4	ARM-PARALLEL 7.5IN	
20	56360627	2	BUSHING .50X.62X.41CT32G	
21	56367206	8	BUSHING CV32G	
23	56388326	4	BUSHING .38X.48X.41	
24	56379170	1	SPRING COM .60X2.00 E00453	
25	56003312	1	NUT HEX NYL LOC M12-1.75	
26	56003791	1	WSH FLT SS .875 X 1.50 X .105	
27	56111723	1	LOCK ADJUSTER	
28	56111724	1	PIVOT WELDMENT	
29	56111729	1	KNOB ASSEMBLY	
30	56111732	1	BAR SQUEEGEE ADJ	

## Part Notes:

- [1] - GUARANTEE DATE EXPIRED
- [2] - (items 1-22)
- [3] - See SQUEEGEE MOUNT ASSY
- [4] - items 24-30



Pos.	Product no	QTY	Description	Notes
	56111549	1	VAC FAN ASSY	
1	56001939	5	WSH FLT SAE 5/16	
2	56002037	4	SCR HEX 5/16-18 X .88	
3	56002281	4	SCR PAN PHIL 5/16-18 X .50	
4	56002701	4	NUT HEX NYL LOC 5/16-18	
5	56002840	4	NUT HEX NYL LOC-THIN 1/4-20	
6	56002830	8	NUT HEX NYL LOC 6-32	
7	56002866	1	NUT HEX NYL LOC-THIN 5/16-24	
8	56003003	4	SCR PAN PHIL 5/16-18X.62	
9	56003068	8	SCR HEX 6-32 X .38	
10	56111544	1	SCROLL WELDT	
11	56111545	1	VAC FAN COVER WELDT	
12	56111563	1	FOAM SOUND REDUCTION	
13	56111565	1	SEAL	
14	56111566	1	FOAM SOUND REDUCTION	
15	56111576	1	FOAM SOUND	
16	56304647	1	PLATE MOTOR GUIDE	
17	56304652	4	ISOLATOR VIBRATION	
18	56305018	1	IMPELLER	
19	56305022	1	SPACER .375X1.00X.250	
20	56305714	4	WASHER SNUBBING	
21	56315382	2	CLIP CONDUIT	



# WARNING BEACON KIT

SC8000 1300 D NIL

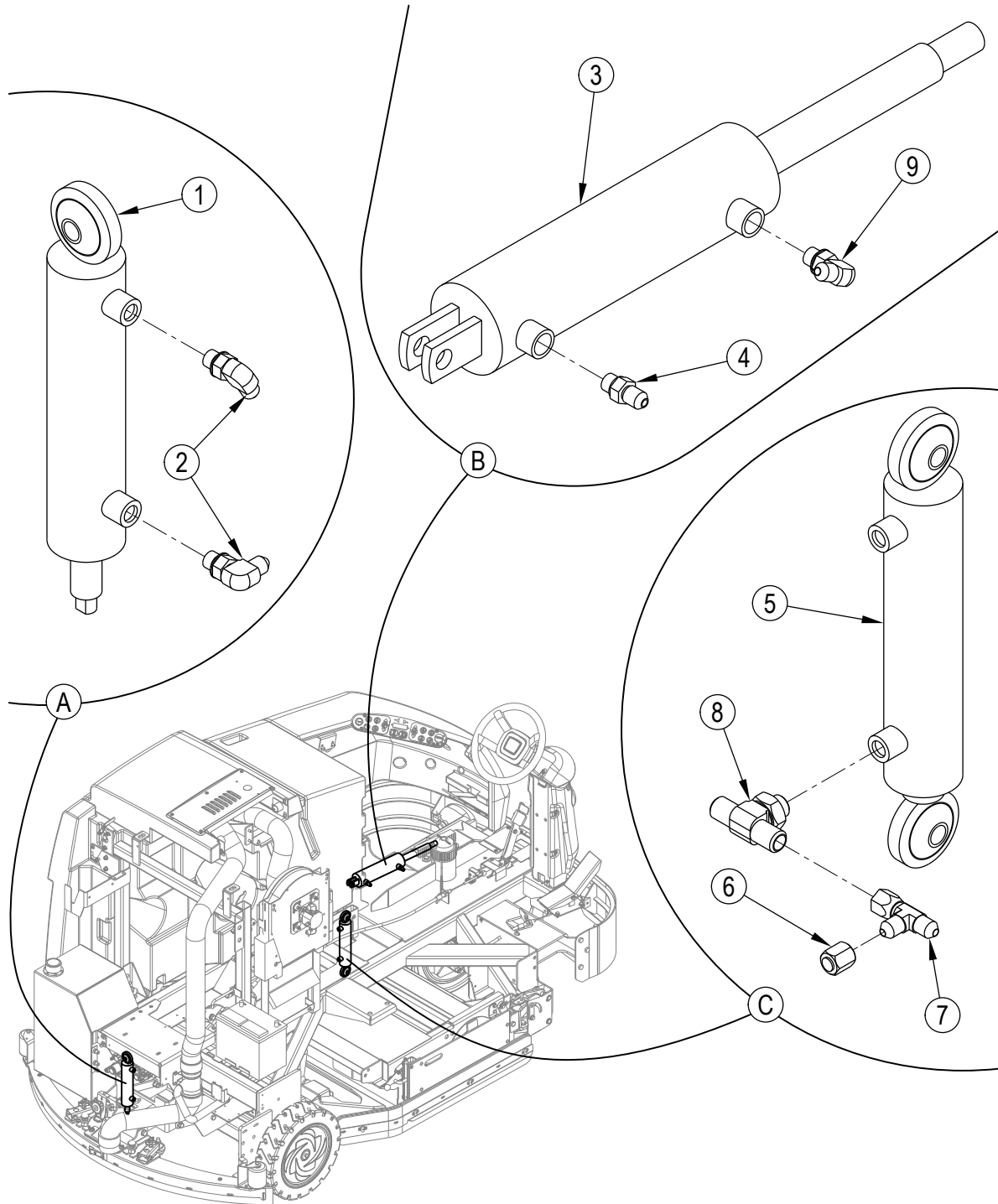
2017.11.02

2013.08.14

Pos.	Product no	QTY	Description	Notes
1	56002066	2	SCR PAN PHIL 1/4-20 X .62	
2	56002124	2	SCREW10-24 X .62 PNH PH	
3	56002708	2	NUT HEX NYL LOC 1/4-20	
4	56002768	2	NUT HEX NYL LOC 10-24	
5	56055434	1	GROMMET E00059	
6	56110908	1	BRACKET BEACON MOUNT	
7	56307166	1	BEACON ASSEMBLY	
	56109521	1	FLASHTUBE REPLACEMENT	[1]
	56109723	1	FLASHTUBE REPLACEMENT	[2]

**Part Notes:**

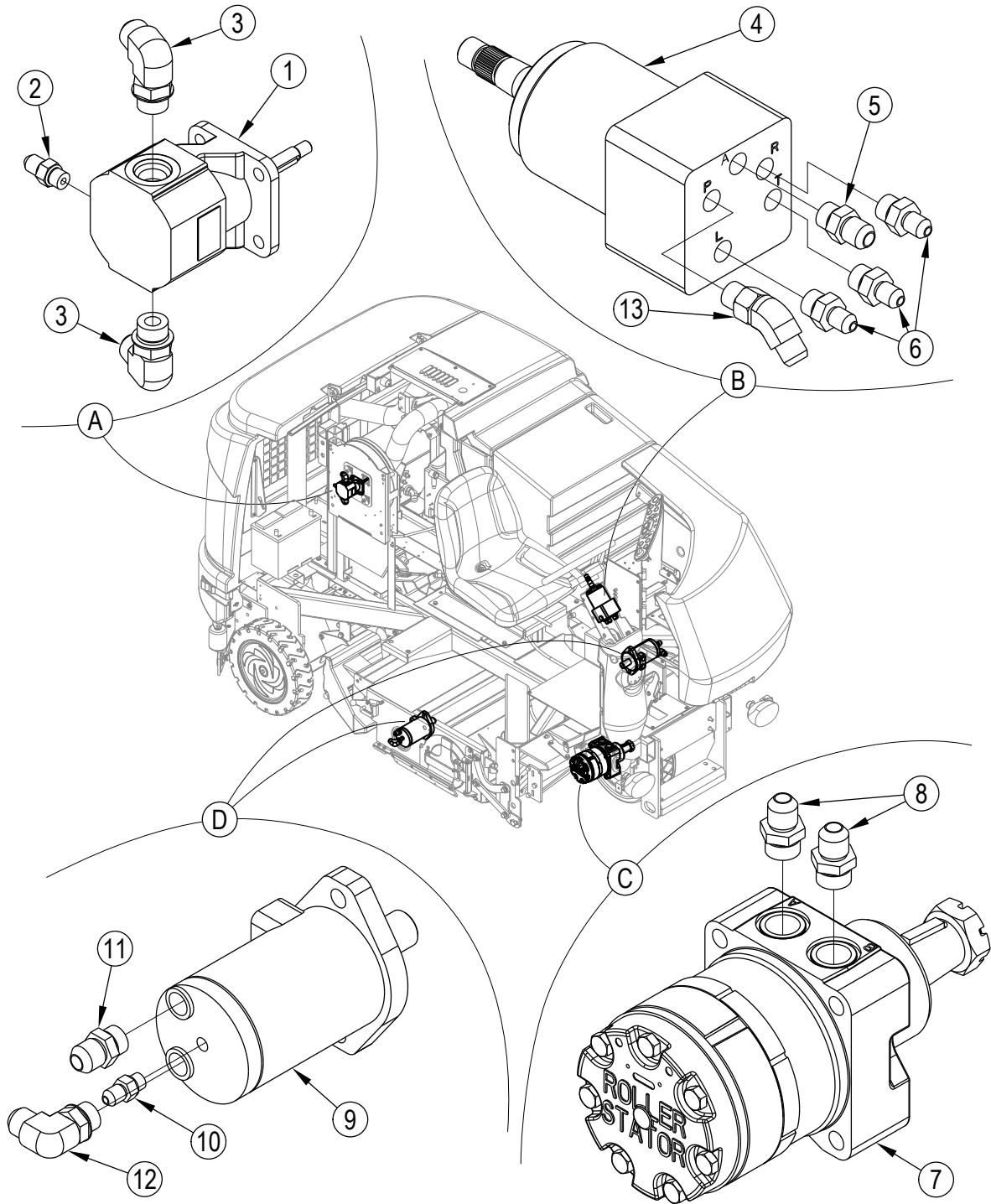
- [1] - (for 56307166 manufactured by Speaker or ECCO)
- [2] - (for 56307166 manufactured by Superior Signals Inc.)



Pos.	Product no	QTY	Description	Notes
A		1	Squeegee Cylinder Assy	
1	56110262	1	CYLINDER HYDRAULIC 1.5X5	
	56305702	1	SEAL KIT	[1]
2	56900101	2	ELBOW 90 DEG.O/R -4 E00003	
B		1	Cylinder Assembly, Steer	
3	56304933	1	CYLINDER HYDRAULIC 2 X 6	
	56488723	1	SEAL KIT	[1]
4	56900001	1	CONNECTOR O-RING-4 E00001	
9	56900101	1	ELBOW 90 DEG.O/R -4 E00003	
C		1	Scrub Lift Cyl. Assy	
5	56110370	1	CYLINDER HYDRAULIC 1.50X5.00	
	56110723	1	SEAL KIT	[1]
6	56111165	1	END CAP FLARE TUBE	
7	56900341	1	TEE RUN W/NUT -4 E00009	
8	56900356	1	TEE BRANCH O-RING EO0006	

Part Notes:

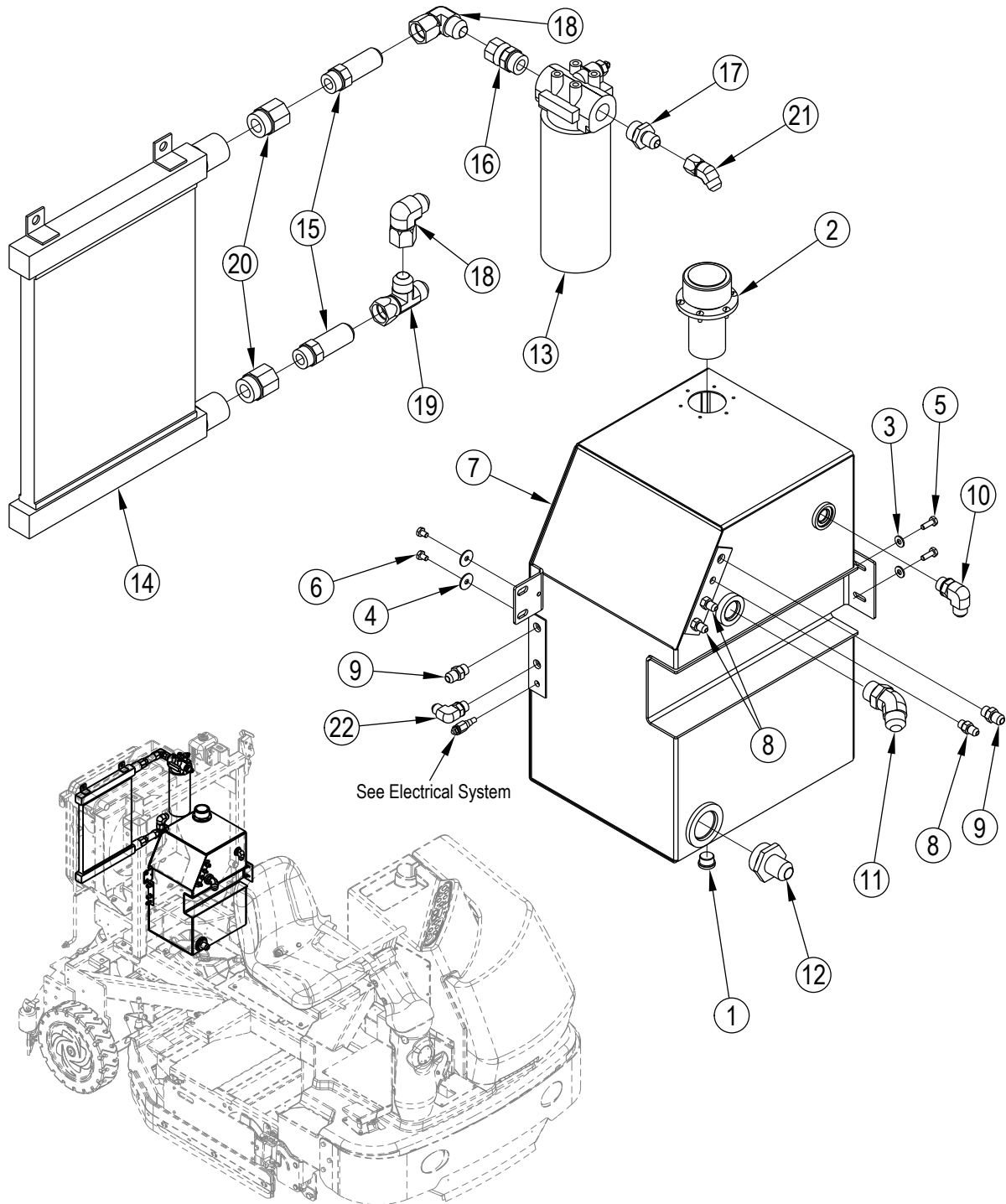
[1] - Optional, Not Included



Pos.	Product no	QTY	Description	Notes
A		1	Fan Motor Assembly	
1	56110061	1	MOTOR HYDRAULIC.129 CIR	
	56418823	1	SEAL KIT	[1]
2	56900001	1	CONNECTOR O-RING-4 E00001	
3	56900104	2	ELBOW 90 DEG.O/R -8 E00003	
B		1	Steering Pump Assembly	
4	56111518	1	STEERING PUMP	
	56419521	1	SEAL KIT STEERING	[1]
5	56900003	1	CONNECTOR O/R -6 E00001	
6	56900011	3	CONNECTOR-4-6 E00001	
13	56900153	1	ELBOW 45 DEG.O/R -6 E00004	
C		1	Drive Motor Assembly	
7	56110351	1	MOTOR TRACTION DRIVE	
	56507618	1	SEAL KIT	[1]
7	56108225	1		[2]
8	56900015	2	CONNECTOR O-RING E00001	
D	56110339	1	HYDRAULIC MOTOR ASSY	
9	56497525	1	MOTOR MAIN BROOM	
	56479577	1	SEAL KIT	[1]
	56307149	1	VITON SEAL KIT	[1]
10	56900001	1	CONNECTOR O-RING-4 E00001	
11	56900004	1	CONNECTOR O/R -8 E00001	
12	56900104	1	ELBOW 90 DEG.O/R -8 E00003	

## Part Notes:

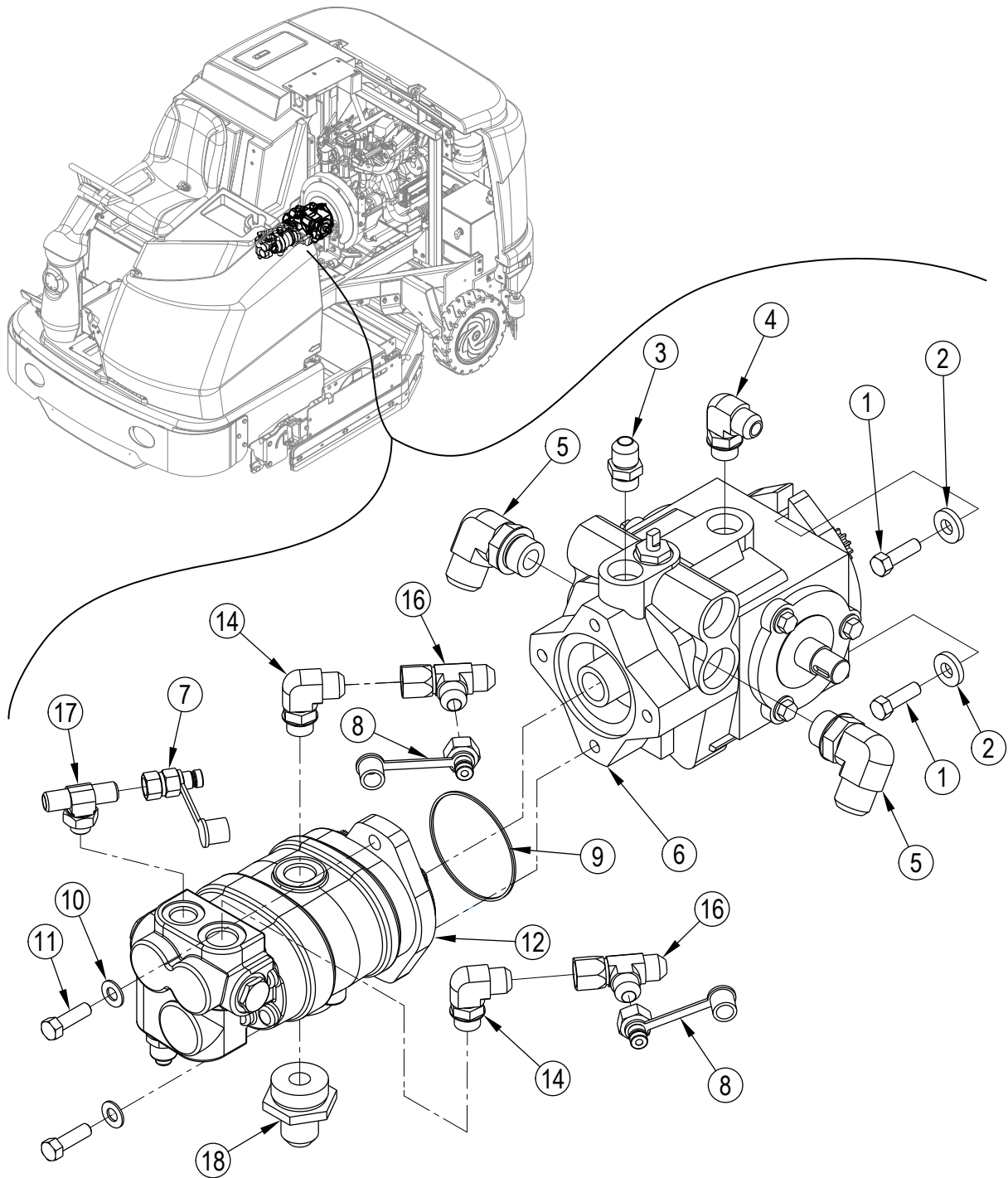
- [1] - Optional, Not Included  
 [2] - Only included in optional Hyd-Traction Drive Motor Kit 56108224



Pos.	Product no	QTY	Description	Notes
		1	Reservoir Assembly	[1]
1	56463403	1	PLUG HEX O-RING E00594	
2	56107825	1	CAP-FILLER	
3	56002098	2	H FLT SAE 1/4	
4	56009002	2	WASHER FLAT .266X.906X.060	
5	56009018	2	SCR HEX THD FORM 1/4-20X .75	
6	56009019	2	SCR HEX THD FORM 1/4-20X .38	
7	56110170	1	RESERVOIR WELDMENT	
8	56900001	3	CONNECTOR O-RING-4 E00001	
9	56900003	2	CONNECTOR O/R -6 E00001	
10	56900104	1	ELBOW 90 DEG.O/R -8 E00003	
11	56900156	1	ELBOW 45 DEG.O/R W/NUT E00004	
12	56900451	1	CONNECTOR O-RING	
22	56900103	1	ELBOW 90 DEG O/R -6 E00003	
	56110665	1	OIL COOLER ASSY	[2]
13	56456449	1	FILTER ASSY OIL	
	56496209	1	FILTER ELEMENT	[3]
14	56463678	1	COOLER OIL	
15	56110978	2	FITTING LONG STRAIGHT	
16	56110981	1	FITTING SWIVEL STR	
17	56900016	1	CONNECTOR O/R -8-12	
18	56900306	2	ELBOW 90D W/NUT -12 E00007	
19	56900346	1	TEE RUN W/NUT E00009	
20	56900608	2	REDUCER W/O RING E00026	
21	56900324	1	ELBOW 45DEG W/NUT 8 E00008	

## Part Notes:

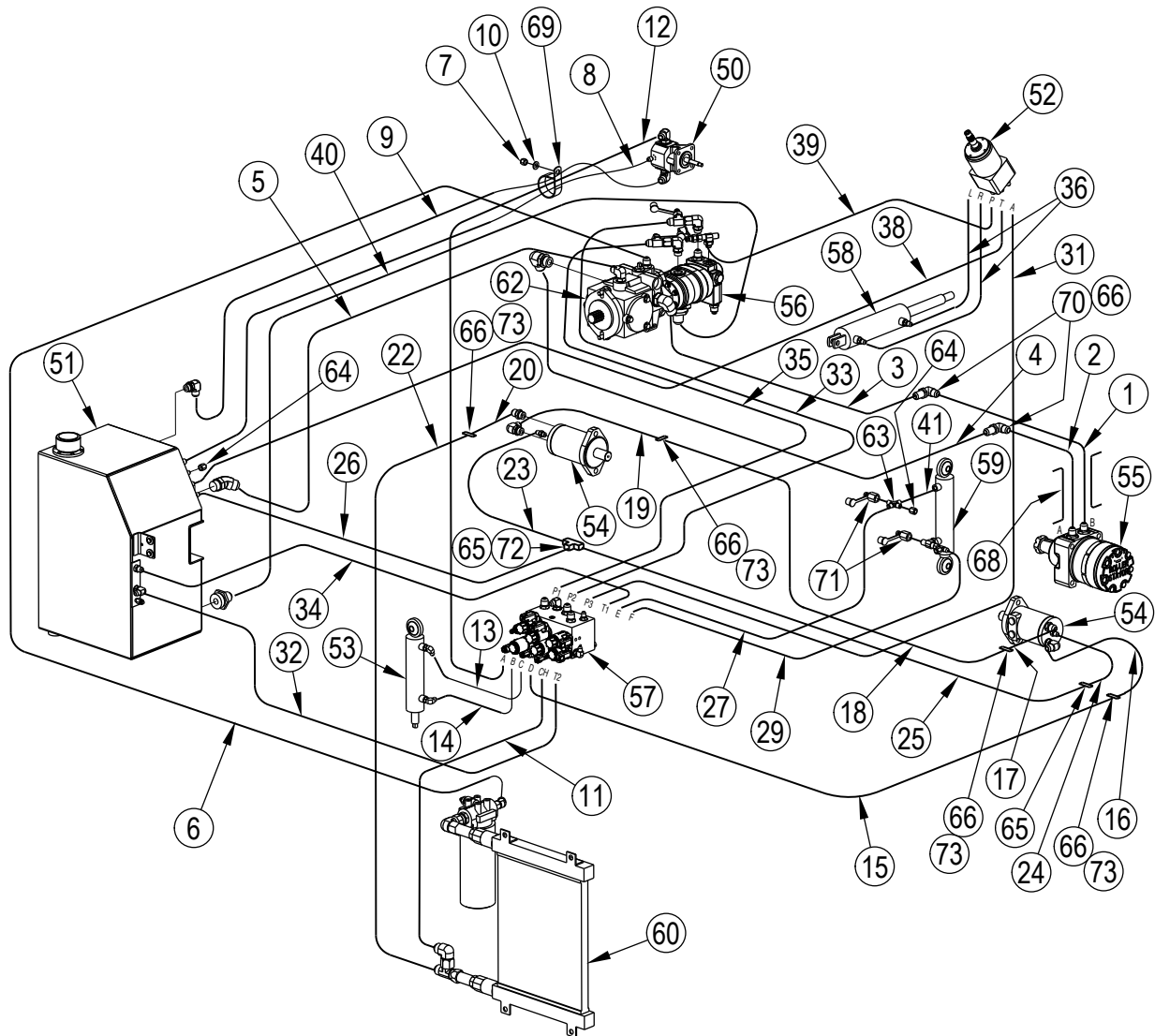
- [1] - items 1-12, 22  
 [2] - items 13-21  
 [3] - Optional, Not Included



Pos.	Product no	QTY	Description	Notes
		1	Pump Assembly	[1]
1	56003029	2	SCR HEX LOC 3/8-16 X 1.25	
2	56009106	2	WSH FLT .453X1.000X.179	
3	56900004	1	CONNECTOR O/R -8 E00001	
4	56900104	1	ELBOW 90 DEG.O/R -8 E00003	
5	56900106	2	ELBOW 90DEG.O/R -12 E00003	
6	56304112	1	PUMP PISTON	
	56305360	1	SEAL KIT	[2]
	56111605	1	RELEIF VALVE 3500 PSI	[2]
		1	Pump Assembly Low Speed	[3]
7	56418865	1	COUPLING 6 TEST PORT	
8	56418866	2	COUPLING 8 TEST PORT	
9	56488002	1	O-RING	
10	56002063	2	WSH FLT SAE 3/8	
11	56003029	2	SCR HEX LOC 3/8-16 X 1.25	
12	56110371	1	PUMP DUAL LOW SPEED	
	56418987	1	SEAL KIT TRIPLE PUMP	[4]
	56111496	1	RELIEF CARTRIDGE	[4]
14	56900104	2	ELBOW 90 DEG.O/R -8 E00003	
16	56900344	2	TEE E00009	
17	56900353	1	TEE BRANCH O-RING E00006	
18	56900451	1	CONNECTOR O-RING	

## Part Notes:

- [1] - items 1-6  
 [2] - for 56304112. Optional, Not Included  
 [3] - items 7-18  
 [4] - for 56110371. Optional, Not Included



# Hydraulic System - JIC 37 Equipped Machines

SC8000 1300 D NIL

2019.07.18

2019.08.06

Pos.	Product no	QTY	Description	Notes
1	56110670	1	HOSE ASSY	
2	56110705	1	HOSE ASSY	
3	56110671	1	HOSE ASSY	
4	56110672	1	HOSE ASSY	
5	56110673	1	HOSE ASSY	
6	56108204	1	HOSE ASSY	
7	56002769	1	NUT HEX NYL LOC 3/8-16	
8	56110676	1	HOSE ASSEMBLY	
9	56110677	1	HOSE ASSY	
10	56002063	1	WSH FLT SAE 3/8	
11	56110679	1	HOSE ASSY	
12	56110680	1	HOSE ASSY	
13	56110681	1	HOSE ASSY	
14	56110682	1	HOSE ASSY	
15	56110683	1	HOSE ASSY	
16	56110684	1	HOSE ASSY	
17	56110685	1	HOSE ASSY	
18	56110686	1	HOSE ASSY	
19	56110687	1	HOSE ASSY	
20	56110688	1	HOSE ASSY	
22	56110690	1	HOSE ASSY	
23	56110691	1	HOSE ASSY	
24	56110692	1	HOSE ASSY	
25	56110693	1	HOSE ASSY	
26	56110694	1	HOSE ASSY	
27	56110695	1	HOSE ASSY	
29	56110697	1	HOSE ASSY	
31	56383873	1	HOSE ASSY-HYDRAULIC-3/8X109	
32	56110700	1	HOSE ASSY	
33	56383874	1	HOSE ASSY-HYDRAULIC-1/2X45	
34	56110702	1	HOSE ASSY	
35	56383875	1	HOSE ASSY-HYDRAULIC-3/8X45	
36	56110704	2	HOSE ASSY	
38	56110706	1	HOSE ASSY	
39	56110707	1	HOSE ASSY	
40	56110708	1	HOSE ASSY	
41	56110739	1	HOSE ASSY	
50		1	Fan Motor Assembly	
51		1	Reservoir Assy	
52		1	Steering Pump Assy	
53		1	Squeegee Cylinder Assy	
54		2	Hydraulic Motor Assy	
55		1	Drive Motor Assy	
56		1	Pump Assembly, Low Speed	
57		1	Valve Block Assy	
58		1	Cylinder Assembly, Steer	
59		1	Scrub Lift Cyl. Assy	
60		1	Oil Cooler Assy	
61			Intentionally Omitted	
62		1	Pump Assembly	
63	56111164	1	UNION CROSS	
64	56111165	2	END CAP FLARE TUBE	
65	56418744	2	LOCKNUT BULKHEAD E00598	
66	56418745	8	LOCKNUT BULKHEAD E00598	
68	56463427	1	SLEEVE 32 IN. NYLON	
69	56315257	1	CLAMP P	
70	56900404	2	ELBOW UNION 8 E00012	
71	56900906	2	TEST NIPPLE	
72	56900927	1	TEE BULKHEAD RUN	

# Hydraulic System - JIC 37 Equipped Machines

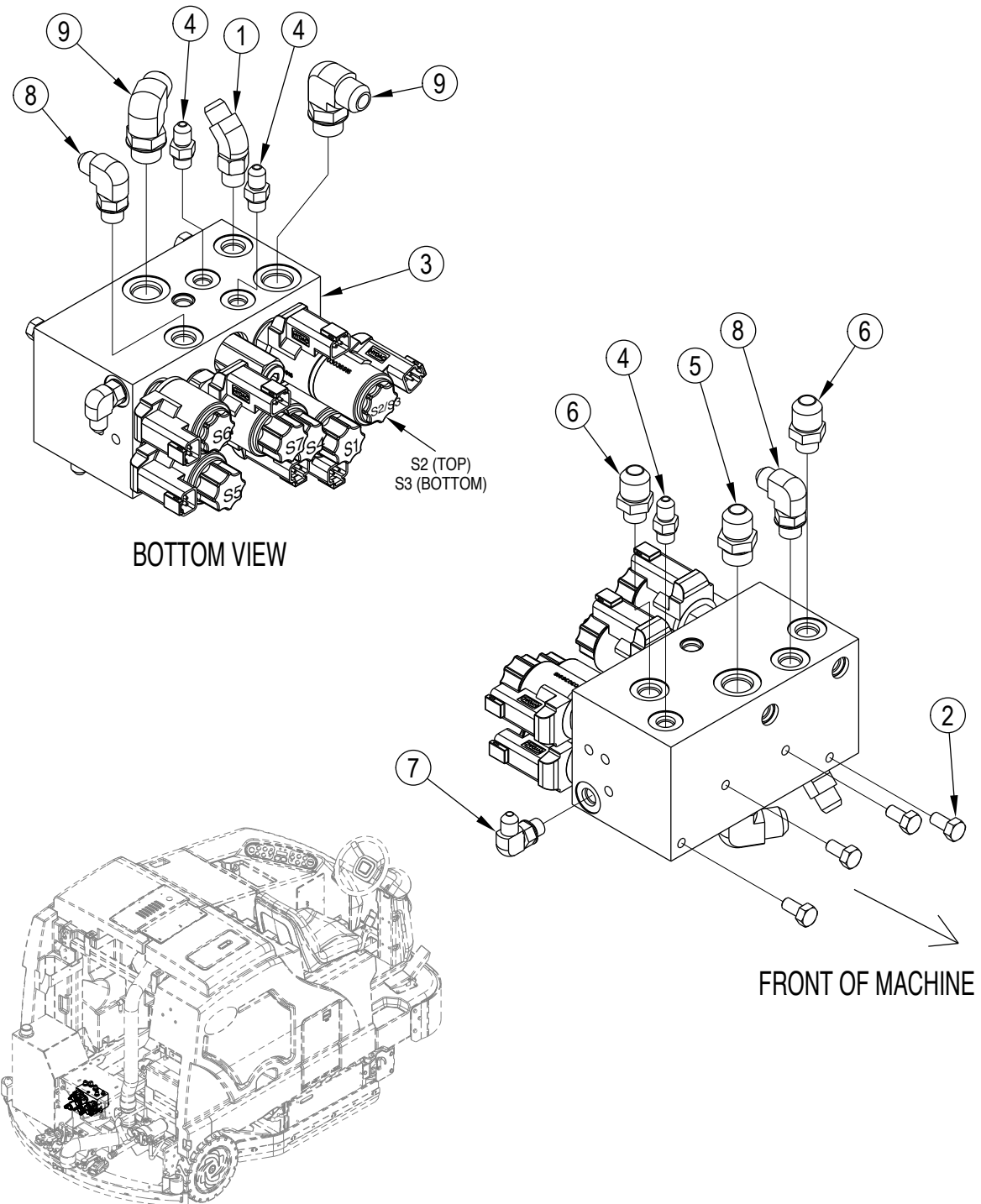
SC8000 1300 D NIL

2019.07.18

2019.08.06

---

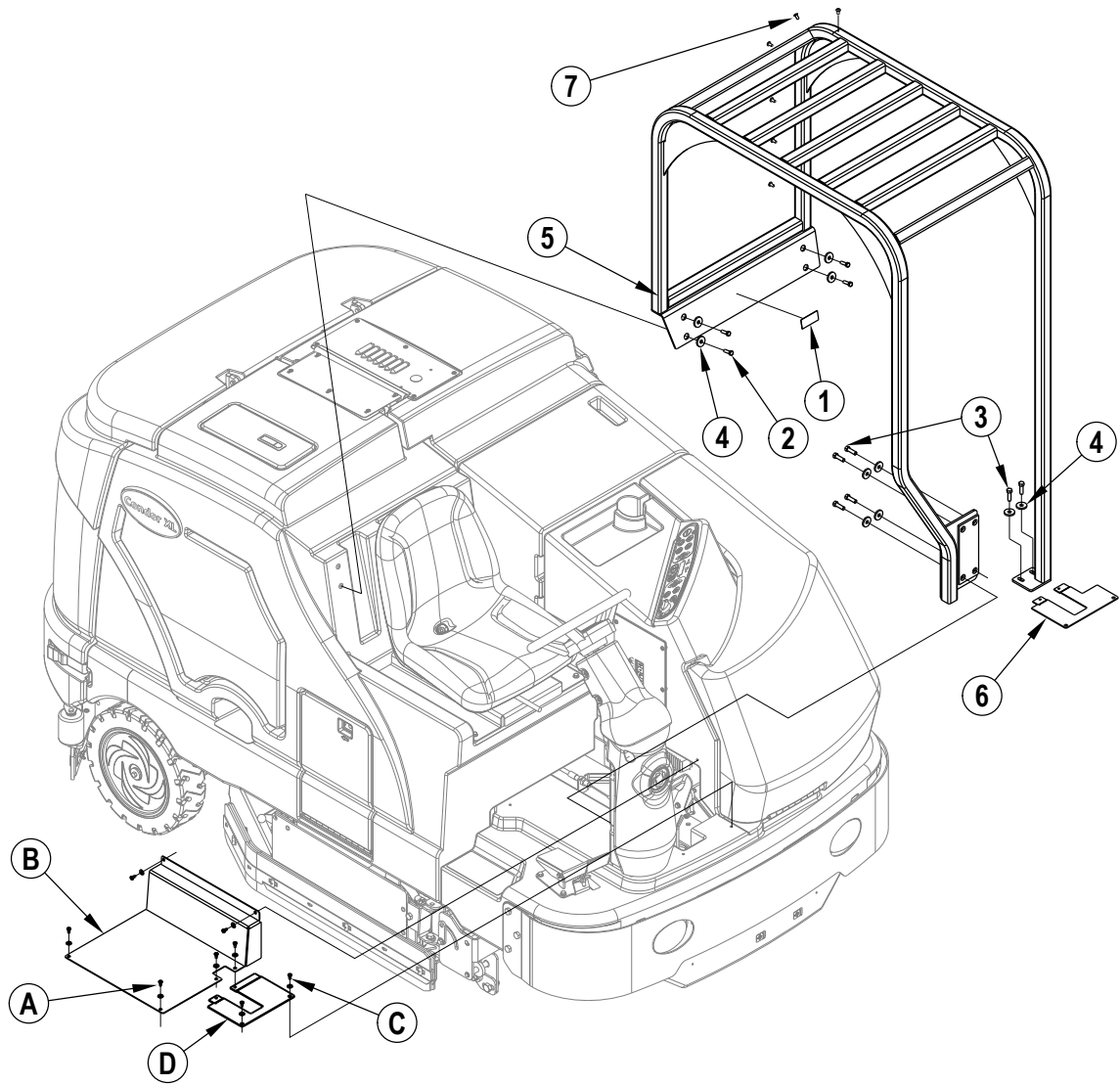
<b>Pos.</b>	<b>Product no</b>	<b>QTY</b>	<b>Description</b>	<b>Notes</b>
73	56002139	4	WSH INT SHPRF 3/4	



Pos.	Product no	QTY	Description	Notes
1	56900153	1	ELBOW 45 DEG.O/R -6 E00004	
2	56002929	4	SCR HEX LOC 5/16-18 X .62	
3	56110271	1	VALVE BLOCK HYDRAULIC	
	56110717	2	CARTRIDGE REPLACEMENT DUAL	[1]
	56110718	1	CARTRIDGE REPLACEMENT 2 WAY	[2]
	56110719	2	CARTRIDGE REPLACEMENT	[3]
	56110720	1	PROPORTIONAL VALVE REPLACEMENT	[4]
	56110721	1	PROP/REL VALVE REPLACEMENT	[5]
	56419397	1	RELIEF VALVE CARTRIDGE	[6]
	56111194	1	RELIEF CARTRIDGE	[7]
	56110712	5	COIL REPLACEMENT	[8]
	56110716	2	COIL REPLACEMENT PROP	[9]
	56305348	1	SEAL KIT DOUBLE	[1]
	56305354	3	SEAL KIT	[10]
	56111198	2	SEAL KIT	[3]
	56305349	1	SEAL KIT	[5]
	56305822	1	SEAL KIT	[11]
4	56900001	3	CONNECTOR O-RING-4 E00001	
5	56900004	1	CONNECTOR O/R -8 E00001	
6	56900020	2	CONNECTOR O/R -8-6 E00001	
7	56900101	1	ELBOW 90 DEG.O/R -4 E00003	
8	56900103	2	ELBOW 90 DEG O/R -6 E00003	
9	56900104	2	ELBOW 90 DEG.O/R -8 E00003	

Part Notes:

- [1] - S2/S3. Optional, Not Included
- [2] - S6. Optional, Not Included
- [3] - S1, S4. Optional, Not Included
- [4] - S7. Optional, Not Included
- [5] - S5. Optional, Not Included
- [6] - R1. Optional, Not Included
- [7] - R2. Optional, Not Included
- [8] - S1, S2, S3, S4, S6. Optional, Not Included
- [9] - S5, S7. Optional, Not Included
- [10] - S6, S7, Relief R1. Optional, Not Included
- [11] - Relief R2. Optional, Not Included



# 56110300 - Overhead Guard Kit

SC8000 1300 D NIL

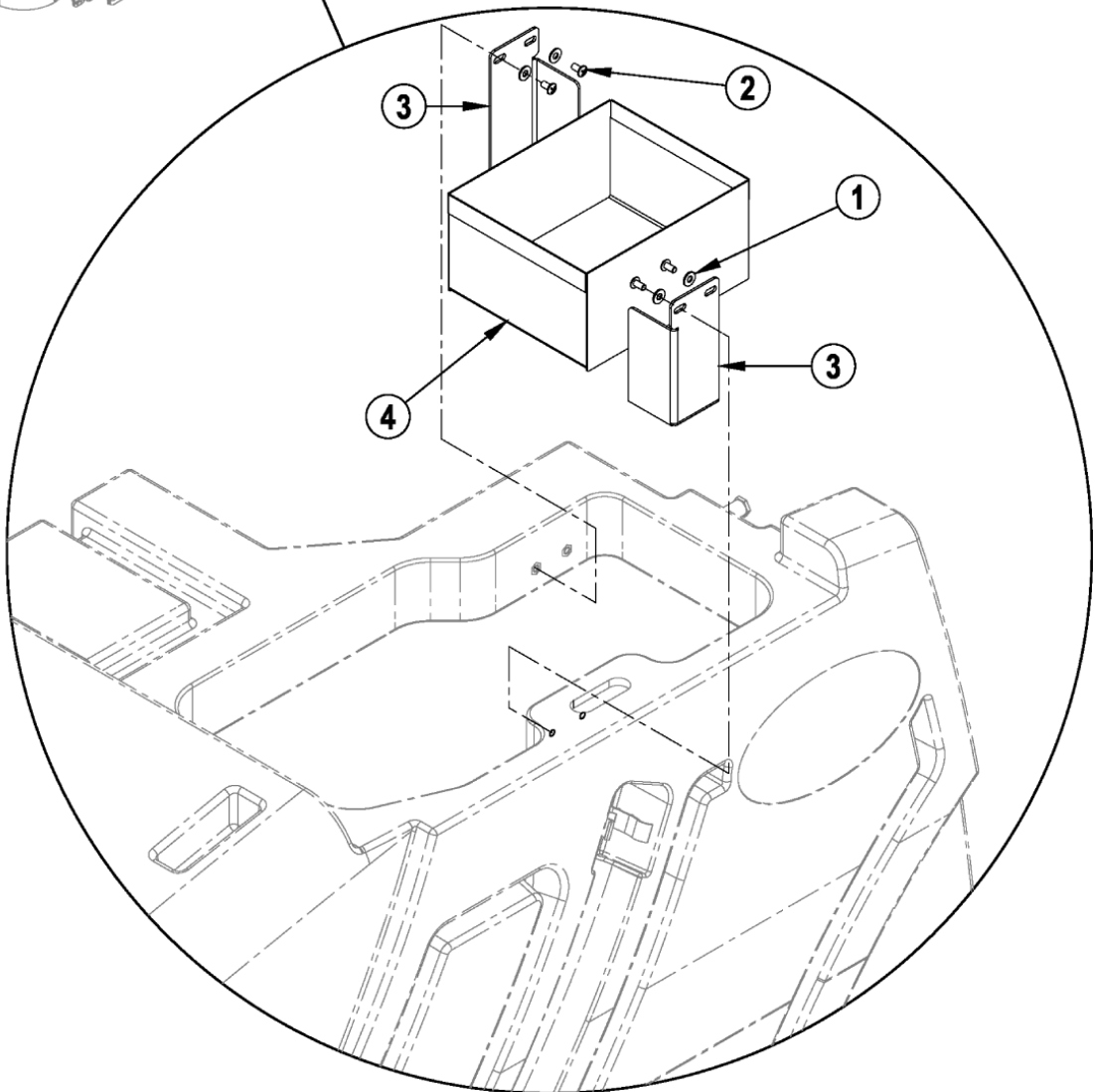
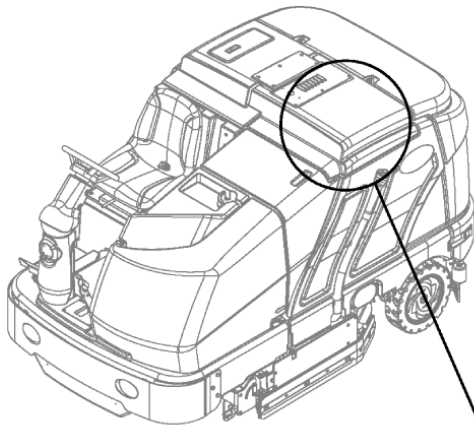
2020.03.02

2020.03.03

Pos.	Product no	QTY	Description	Notes
	56110300	1	OVERHEAD GUARD KIT	[1]
1		1	SERIAL PLATE DATA TABLE	
2	56002667	4	SCR HEX 5/16-18 X .75	
3	56003029	6	SCR HEX LOC 3/8-16 X 1.25	
4	56009195	10	WSH FLT .406X 1.250X .164	
5	56110295	1	OVERHEAD GUARD WELDT	
6	56111133	1	OHG FLOOR PLATE WELDT	
7	56009062	6	SCR PAN PHIL THD FORM1/4-20X.5	

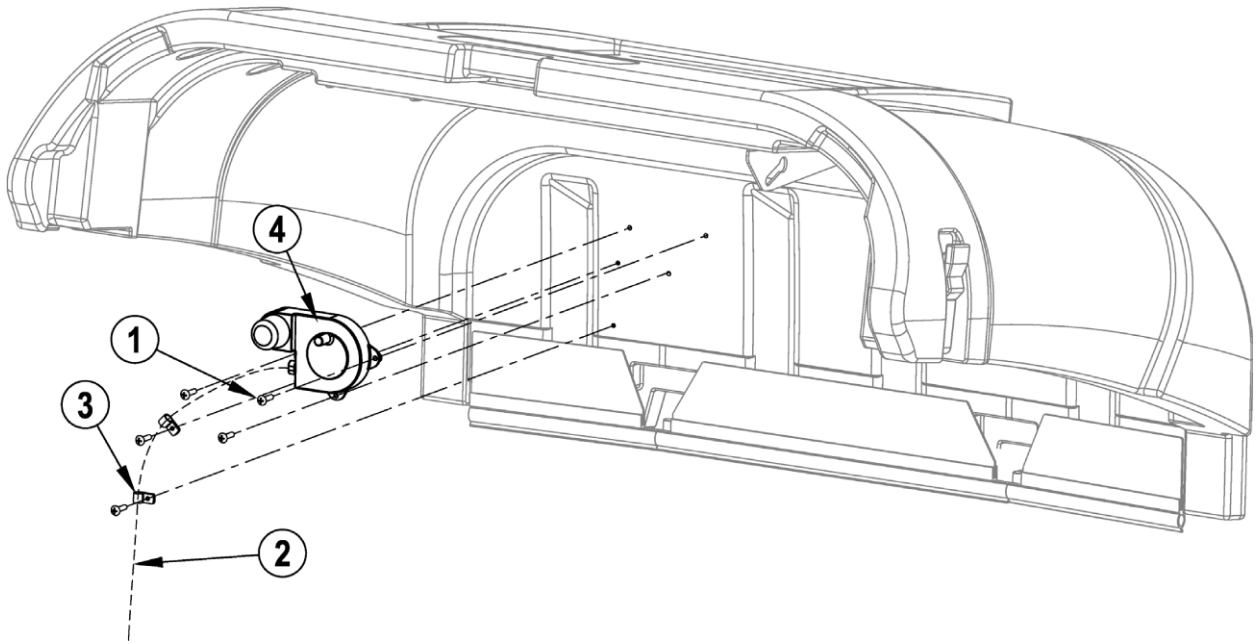
## Part Notes:

[1] - 56110300 - Overhead Guard Kit



---

<b>Pos.</b>	<b>Product no</b>	<b>QTY</b>	<b>Description</b>	<b>Notes</b>
00	56111607	1	KIT - DEBRIS TRAY	
01	56002859	4	WSH FLT SAE SS 1/4	
02	56003119	4	SCR PAN PHIL SS 1/4-20 X .50	
03	56111601	2	MOUNT STRAINER	
04	56383770	1	STRAINER-DEBRIS	



# 56111298 - Underhood Light Kit

SC8000 1300 D NIL

2017.11.02

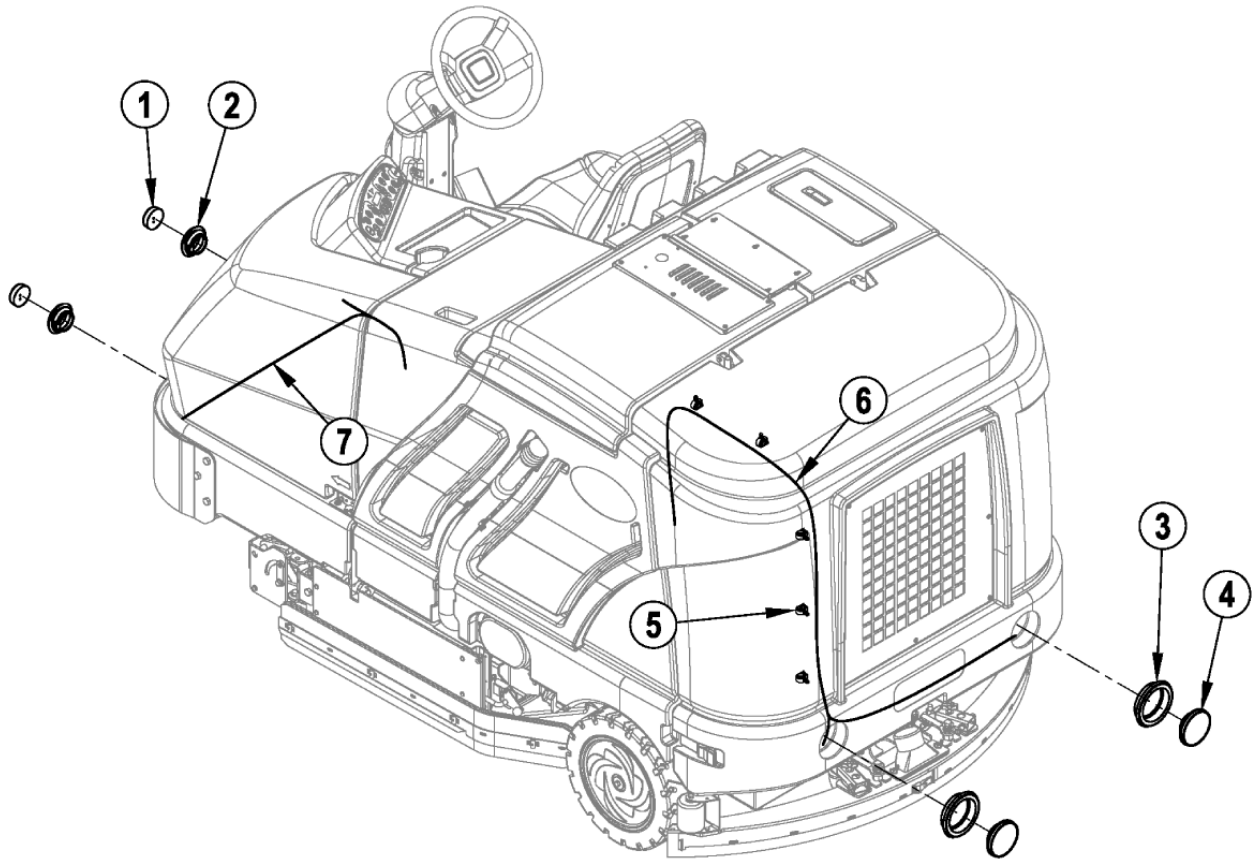
2013.04.02

---

Pos.	Product no	QTY	Description	Notes
00	56111298	1	UNDERHOOD LIGHT KIT	[1]
01	56009006	5	SCR PAN PHIL SS TYPE AB 10-16X	
02	56111308	1	HARNES UNDERHOOD LIGHT	
03	56172017	2	P-CLIP E00129	
04	56305627	1	TROUBLE LAMP	[2]
05	56478523	3	CABLE TIE E00549	[3]

Part Notes:

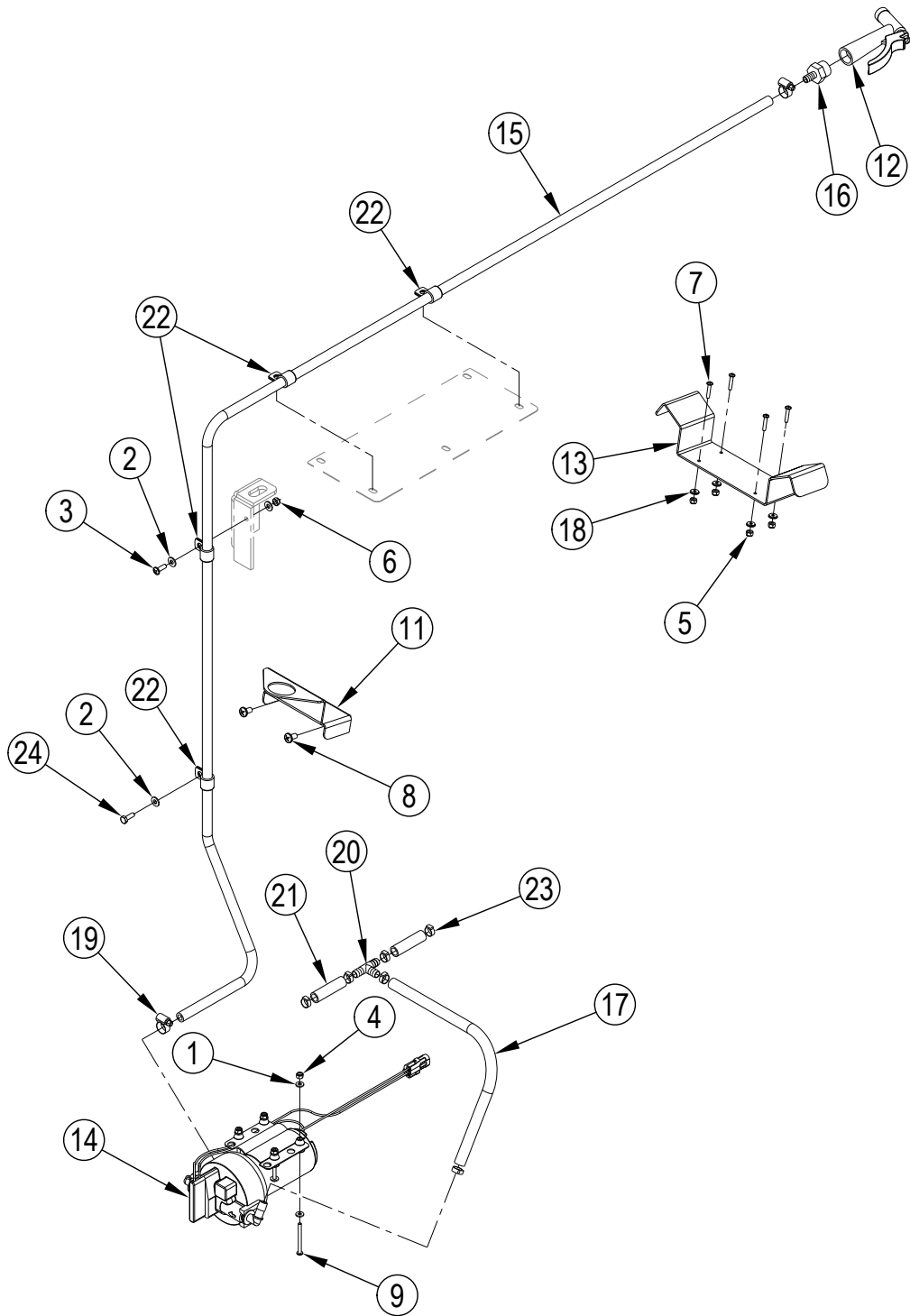
- [1] - EXPIRED NO REPLACEMENT
- [2] - NO LONGER AVAILABLE
- [3] - NOT SHOWN



Pos.	Product no	QTY	Description	Notes
00	56111317	1	BRAKE/SIGNAL LIGHT KIT	
01	56507113	2	LIGHT AMBER ROUND TURN	
02	56507849	2	GROMMET TURN LIGHT	
03	56507848	2	GROMMET TAIL LIGHT	
04	56507112	2	LIGHT RED ROUND STOP	
05	56507794	5	CLIP CONDUIT	
06	56110545	1	HARNES REAR SIGNAL LIGHT	
07	56477613	2	CABLE TIE E00549 RE409S+	[1]
07	56478246	4	CABLE TIE E00549 RE438BA	[1]
07	56110546	1	HARNES FRONT SIGNAL LIGHT	

## Part Notes:

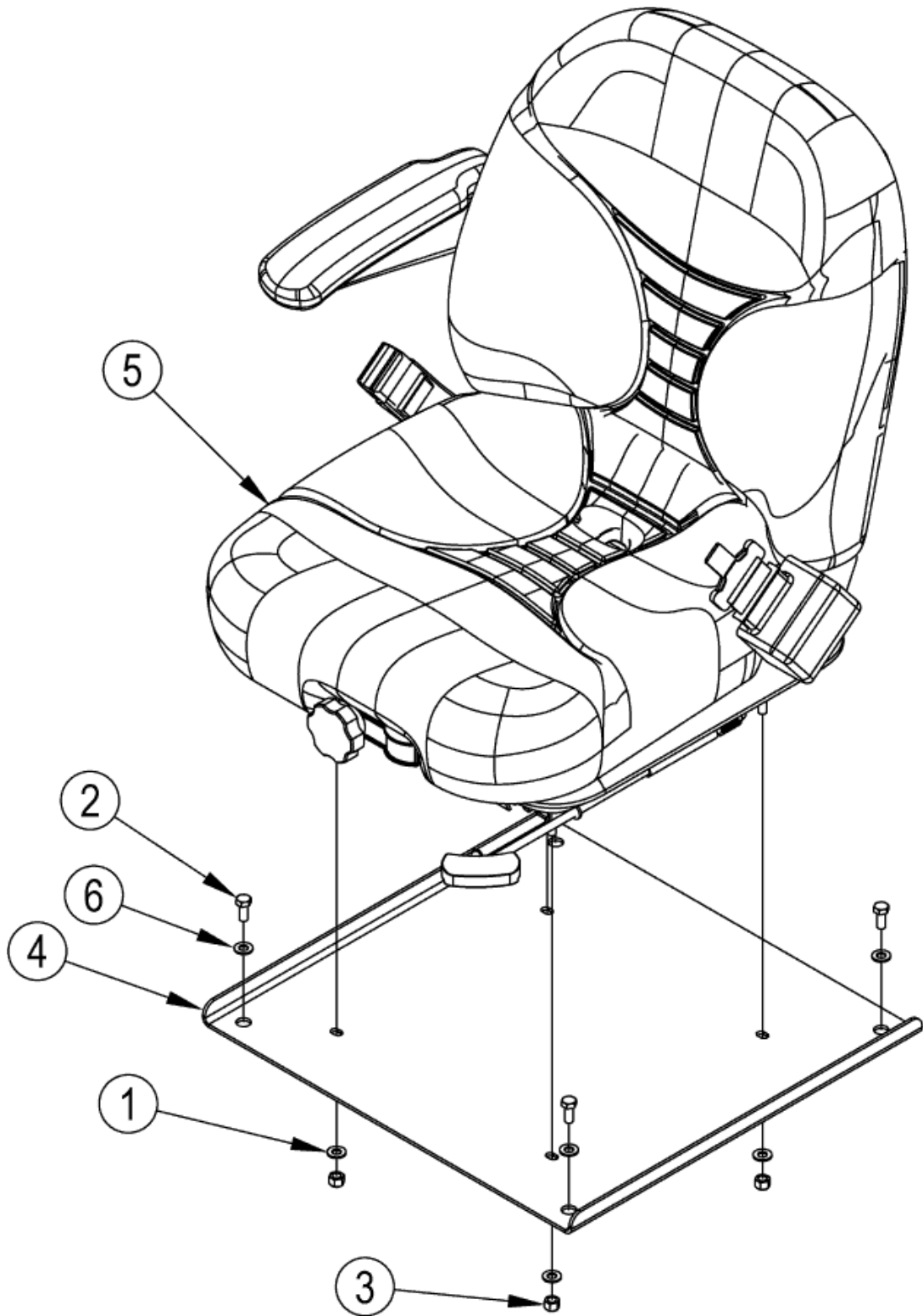
[1] - NOT SHOWN



Pos.	Product no	QTY	Description	Notes
	56111346	1	KIT WASH HOSE	
1	56001954	8	WSH FLT SAE 10	
2	56002098	3	H FLT SAE 1/4	
3	56002507	1	SCR PAN PHIL 1/4-20 X .75	
4	56002768	4	NUT HEX NYL LOC 10-24	
5	56002836	4	NUT HEX NYL LOC SS 10-24	
6	56002840	1	NUT HEX NYL LOC-THIN 1/4-20	
7	56002898	4	SCR PAN PHIL SS 10-24 X 1.00	
8	56003003	2	SCR PAN PHIL 5/16-18X.62	
9	56003503	4	SCR PAN PHIL 10-24 X 2.25	
10	56040957	1	INSTRUCTION SHEET	[1]
11	56111257	1	WASH HOSE BRACKET	
12	56111349	1	SPRAY GUN	
13	56111628	1	BRACKET HOSE	
14	56111671	1	PUMP ASSY 12VDC 60PSI SWITCH	
15	56111675	1	HOSE POLYBRAID	
16	56111677	1	ADAPTER BARB MALE	
17	56172099	1	TUBE PVC .50X18 E00199	
18	56209261	4	WASHER SEALING	
19	56219932	2	CLAMP HOSE SAE 6 E00047	
20	56262549	1	TEE E00455	
21	56392347	2	TUBE PVC .500X 2.50 E00199	
22	56419120	4	CLAMP HOSE SUPPORT 56E00616	
23	56722030	6		
24	56009018	1	SCR HEX THD FORM 1/4-20X .75	

## Part Notes:

[1] - PRINT FROM HOMEPAGE



# 56111535 - Deluxe Seat Kit

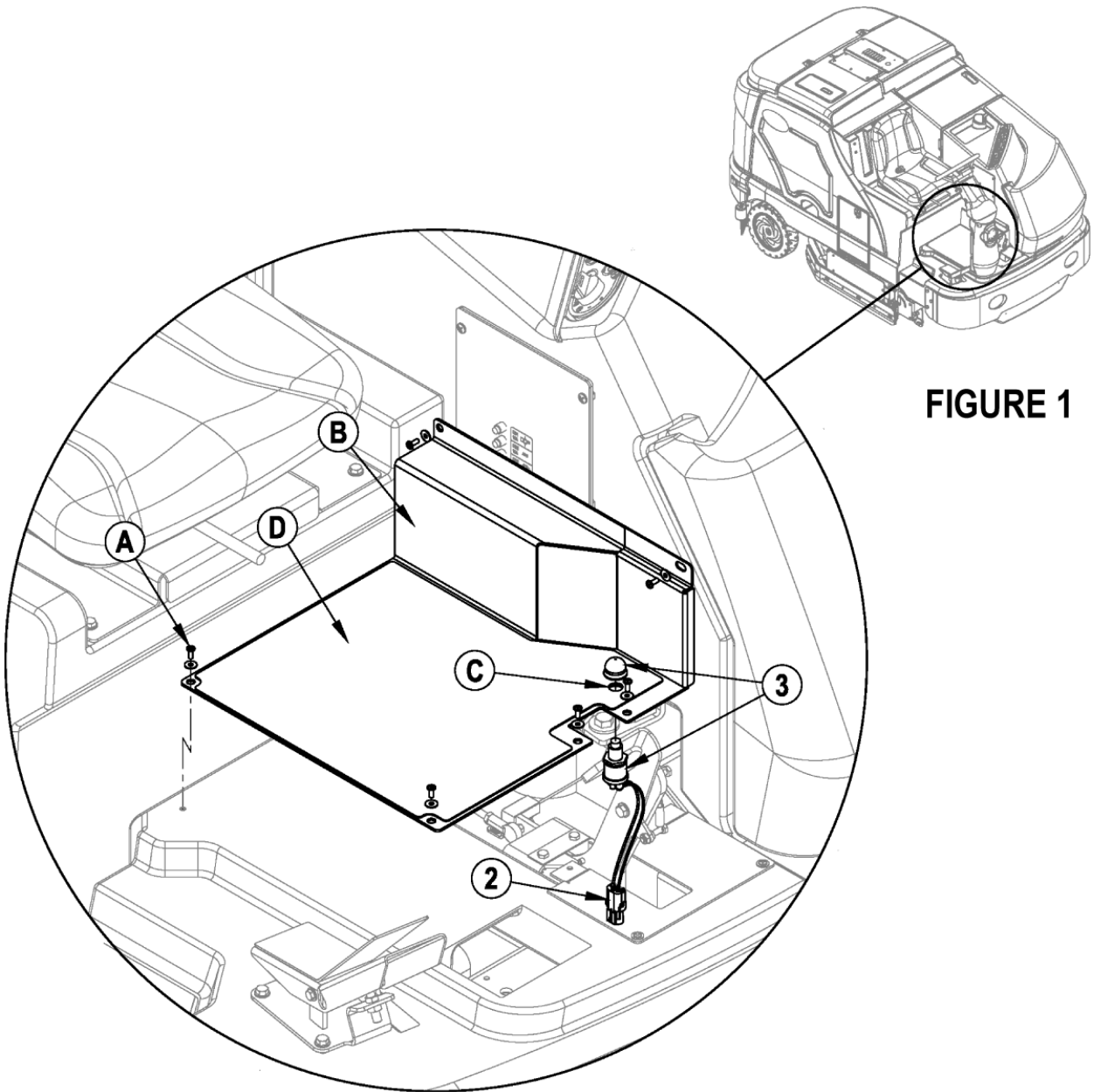
SC8000 1300 D NIL

2017.11.02

2013.04.02

---

<b>Pos.</b>	<b>Product no</b>	<b>QTY</b>	<b>Description</b>	<b>Notes</b>
00	56111535	1	DELUXE SEAT KIT	
01	56001939	8	WSH FLT SAE 5/16	
02	56002956	4	SCR HEX LOC 5/16-18 X .75	
03	56002856	4	NUT HEX NYL LOC SS 5/16-18	
04	56110272	1	PLATE SEAT MOUNT	
05	56111539	1	SEAT DELUXE	
06	56009122	4	WSH FLT .344X.938X.125	



# 56111733 - Horn Switch Kit

SC8000 1300 D NIL

2017.11.02

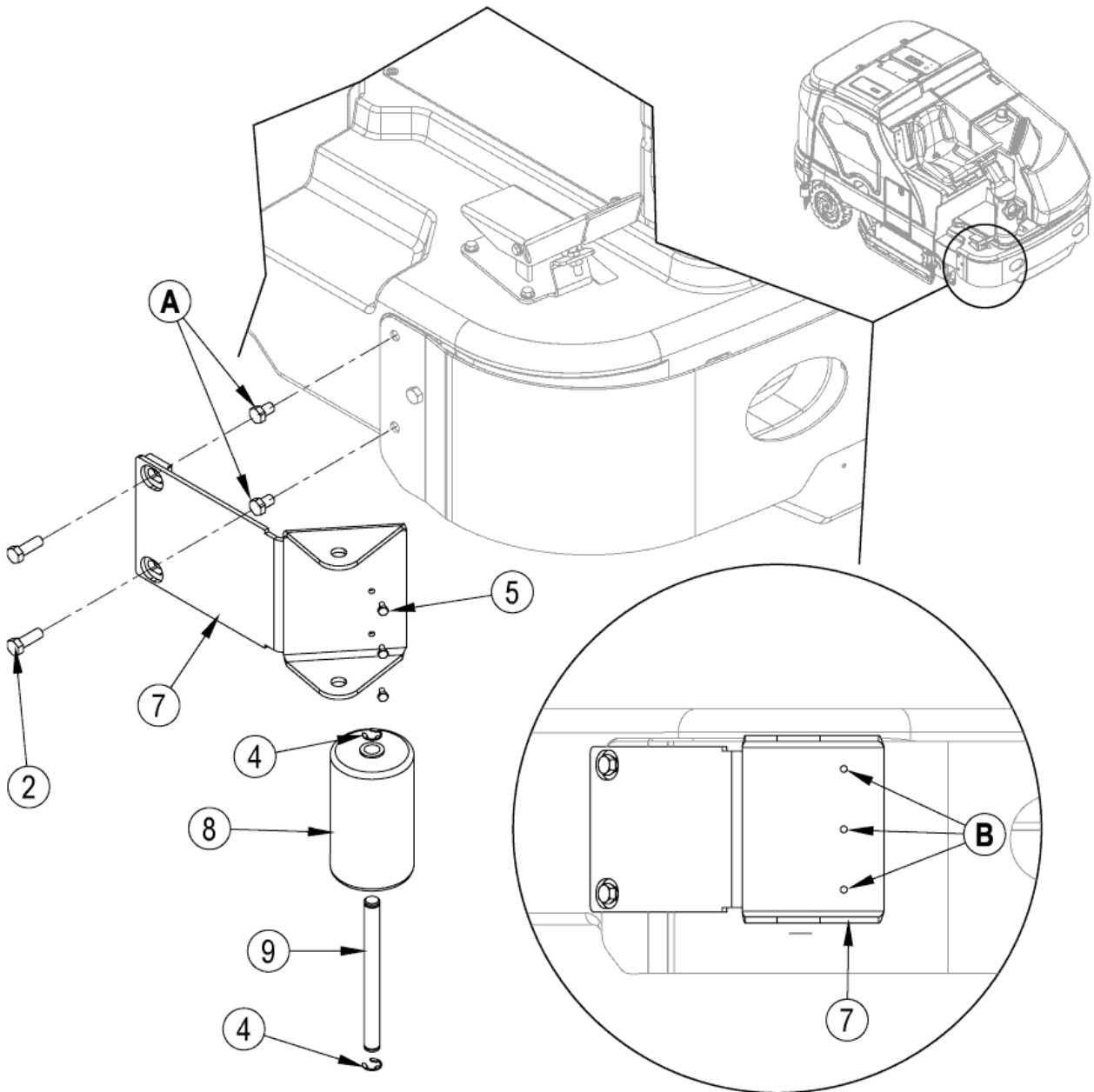
2013.04.02

---

Pos.	Product no	QTY	Description	Notes
00	56111733	1	KIT HORN SWITCH	
02	56111734	1	HARNES HORN SWITCH	[1]
03	8-82-00024	1	HORN PUSH BUTON	

Part Notes:

[1] - NON-SALEABLE ITEM



## 56111848 - ROLLER BUMPER KIT

SC8000 1300 D NIL

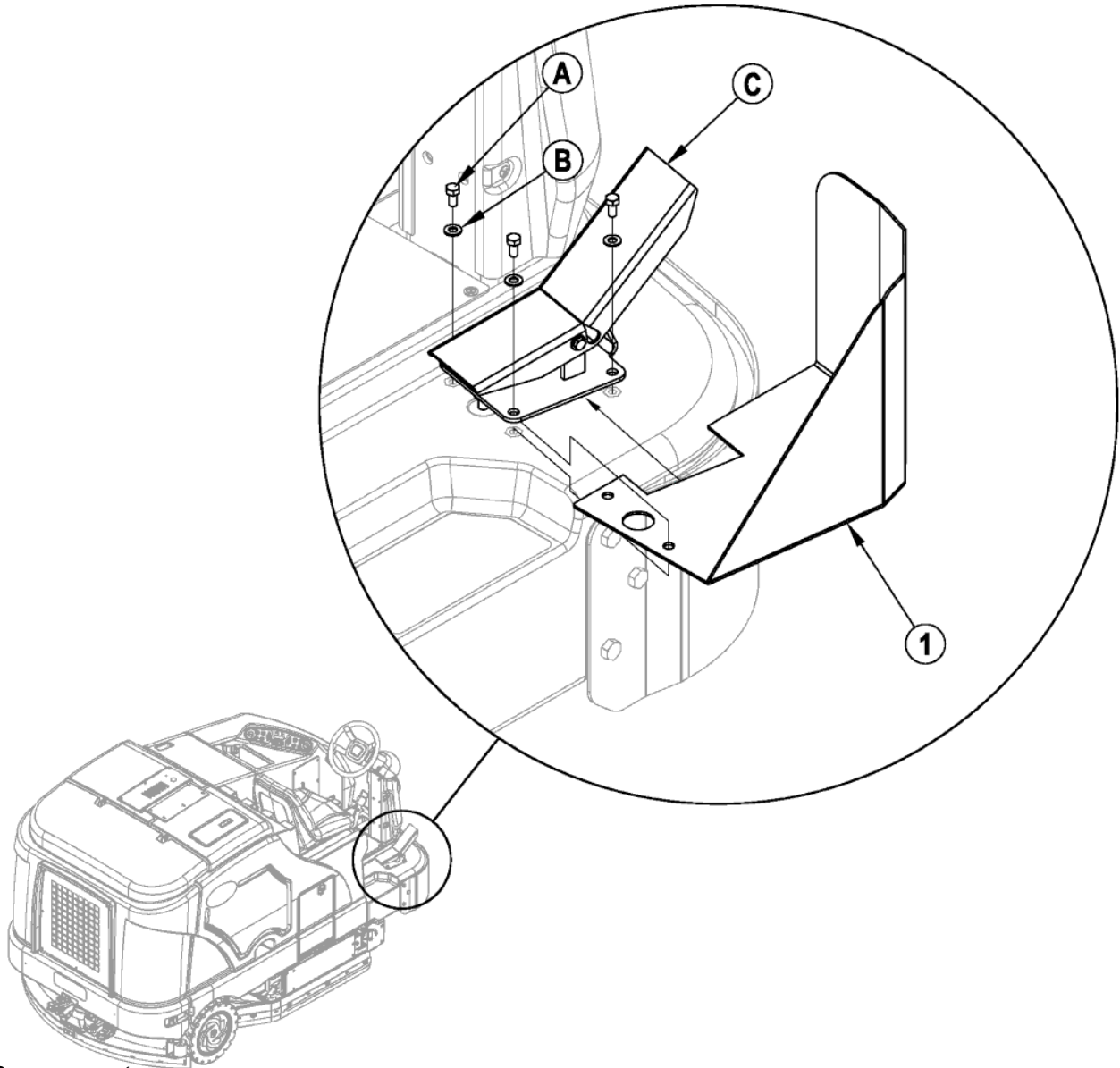
2017.11.02

2017.08.11

Pos.	Product no	QTY	Description	Notes
	56111848	1	ROLLER BUMPER KIT	
1	56002680	1	SCR HEX 1/2-13 X 2.75	
2	56002954	2	SCR HEX LOC 1/2-13 X 1.50	
3	56002961	1	1/2-13 X 4 BOLT	[1]
4	56003266	2	RING RET EXT TYPE E	
5	56009018	3	SCR HEX THD FORM 1/4-20X .75	
6	56090002	1	INSTRUCTION SHEET	[2]
7	56111847	1	ROLLER BRACKET WELDT	
8	56409335	1	BUMPER ROLLER	
9	56409336	1	PIN	

## Part Notes:

- [1] - GUARANTEE DATE EXPIRED
- [2] - SEE MI-SP-007



Resource notes:

DISCONNECT BATTERY BEFORE SERVICING. 1 Remove the (3) Screws (A) and Washers (B) and lift the Foot Pedal Assembly (C) up enough to slide the Foot Guard (1) under it. 2 Reinstall the (3) Screws (A) and Washers (B).

# 56111873 - FOOT GUARD KIT

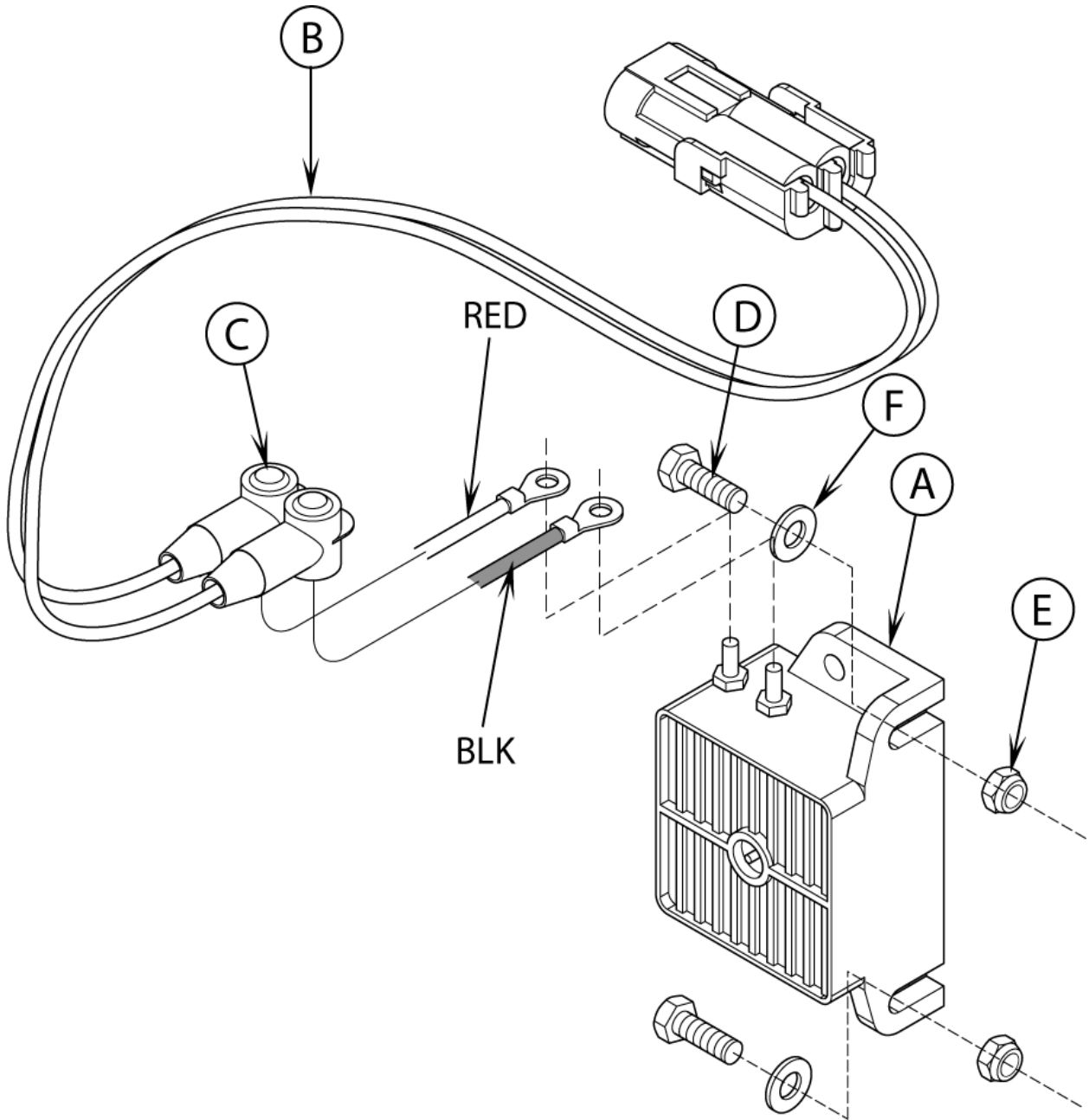
SC8000 1300 D NIL

2017.11.02

2013.04.02

---

<b>Pos.</b>	<b>Product no</b>	<b>QTY</b>	<b>Description</b>	<b>Notes</b>
00	56111873	1	FOOT GUARD KIT	



# 56305519 - Back-up Alarm Kit

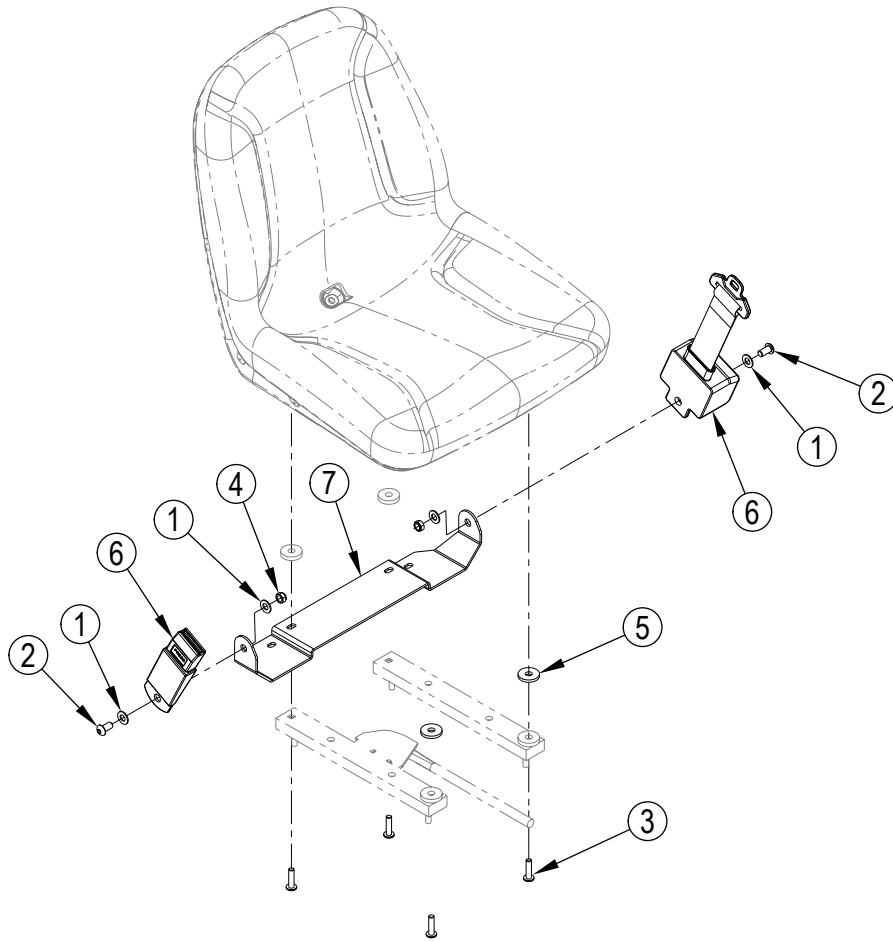
SC8000 1300 D NIL

2017.11.02

2017.08.10

---

<b>Pos.</b>	<b>Product no</b>	<b>QTY</b>	<b>Description</b>	<b>Notes</b>
	56305519	1	BACK UP ALARM KIT	
0A	56409232	1	BACK-UP ALARM	
0B	56409495	1	WIRE ASSY. PIGTAIL	
0C	56409538	2	TERMINAL INSULATOR	
0D	56009018	2	SCR HEX THD FORM 1/4-20X .75	
0E	56002708	2	NUT HEX NYL LOC 1/4-20	
0F	56002098	2	H FLT SAE 1/4	



# 56383455 - SEAT BELT KIT

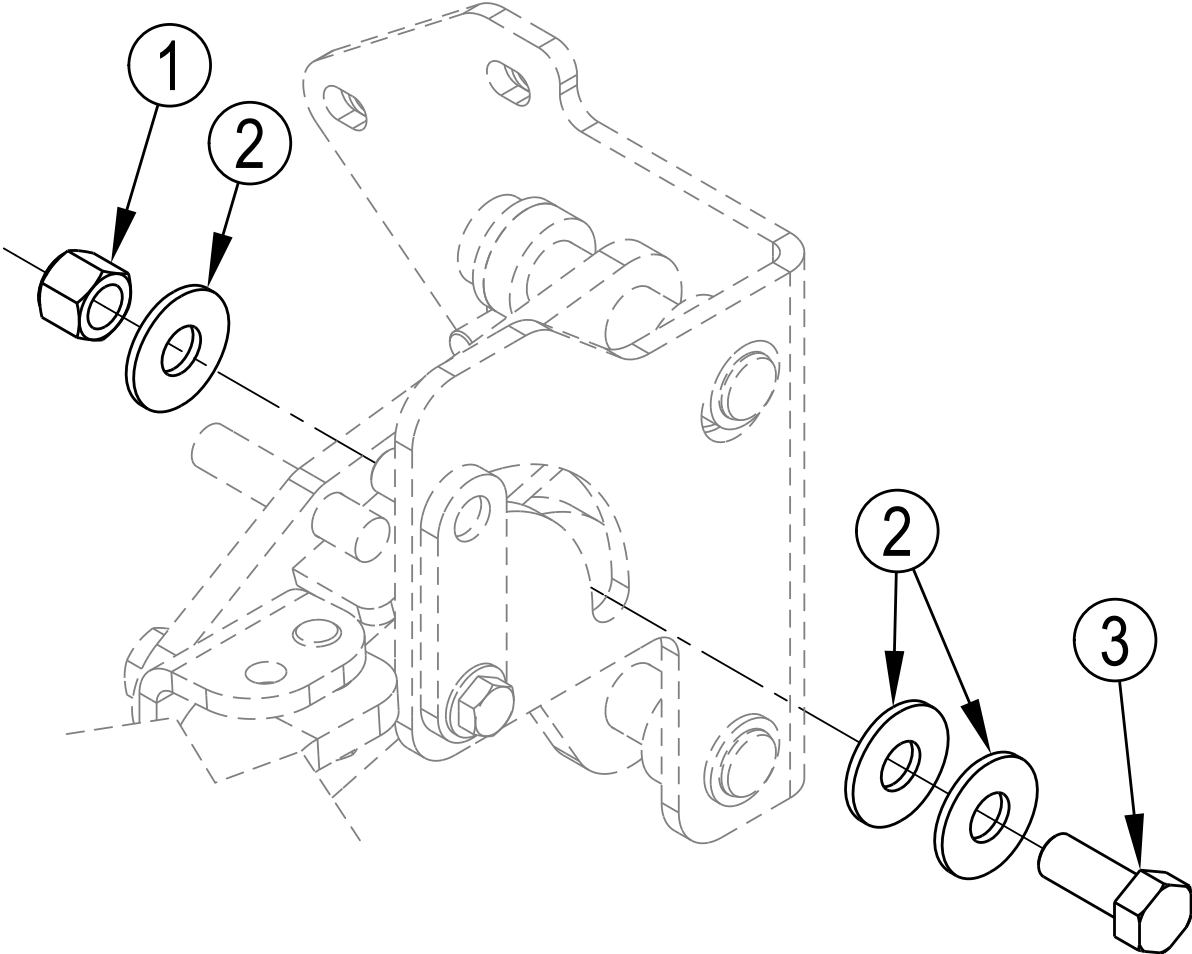
SC8000 1300 D NIL

2017.11.02

2018.02.08

---

<b>Pos.</b>	<b>Product no</b>	<b>QTY</b>	<b>Description</b>	<b>Notes</b>
0	56383455	1	SEAT BELT KIT- STANDARD SEAT	
1	56002063	4	WSH FLT SAE 3/8	
2	56003729	2	SCR SOC HD BUT LOC 3/8-16X.75	
3	56002795	4	SCR PAN PHIL 5/16-18 X 1.25	
4	56002841	2	NUT HEX NYL LOC-THIN 3/8-16	
5	56009195	2	WSH FLT .406X 1.250X .164	
6	56109301	1	BELT SEAT 60	
7	56383296	1	BRACKET-SEAT BELT	



# 56383993 - SKIRT STOP KIT

SC8000 1300 D NIL

2017.11.02

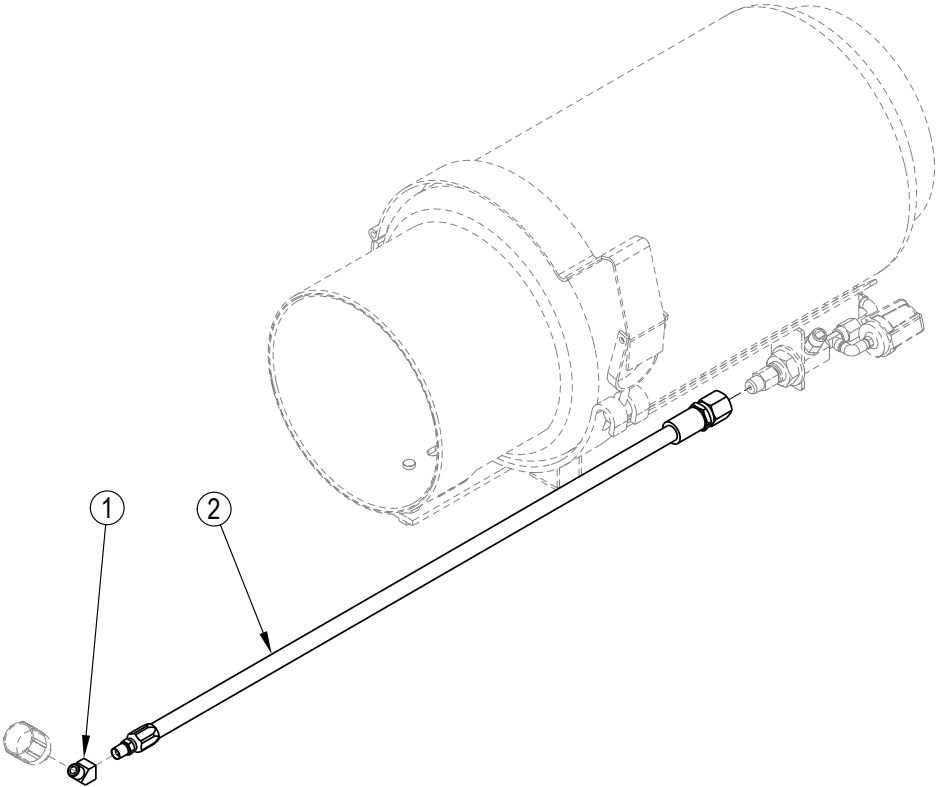
2018.01.22

---

Pos.	Product no	QTY	Description	Notes
	56383993	1	SKIRT STOP KIT	
1	56002846	2	NUT HEX NYL LOC SS 1/2-13	
2	56002892	6	WSH FLT STD SS 1/2	
3	56003452	2	SCR HX THD TO HDSS 1/2-13X1.25	[1]

Part Notes:

[1] - GUARANTEE DATE EXPIRED



# 56384523 - HOSE-LP KIT

SC8000 1300 D NIL

2017.11.02

2017.09.05

---

Pos.	Product no	QTY	Description	Notes
0	56384523	1	HOSE-LP KIT	[1]
1	56368938	1	ELBOW ST 1/4X45 BR E00029	
2	56384522	1	HOSE-LP 1/4 NTPF X 5/8-18 35LG	

**Part Notes:**

[1] - TSB-FC-2015-019 SC8000 Propane Hose Fitting Leak

