

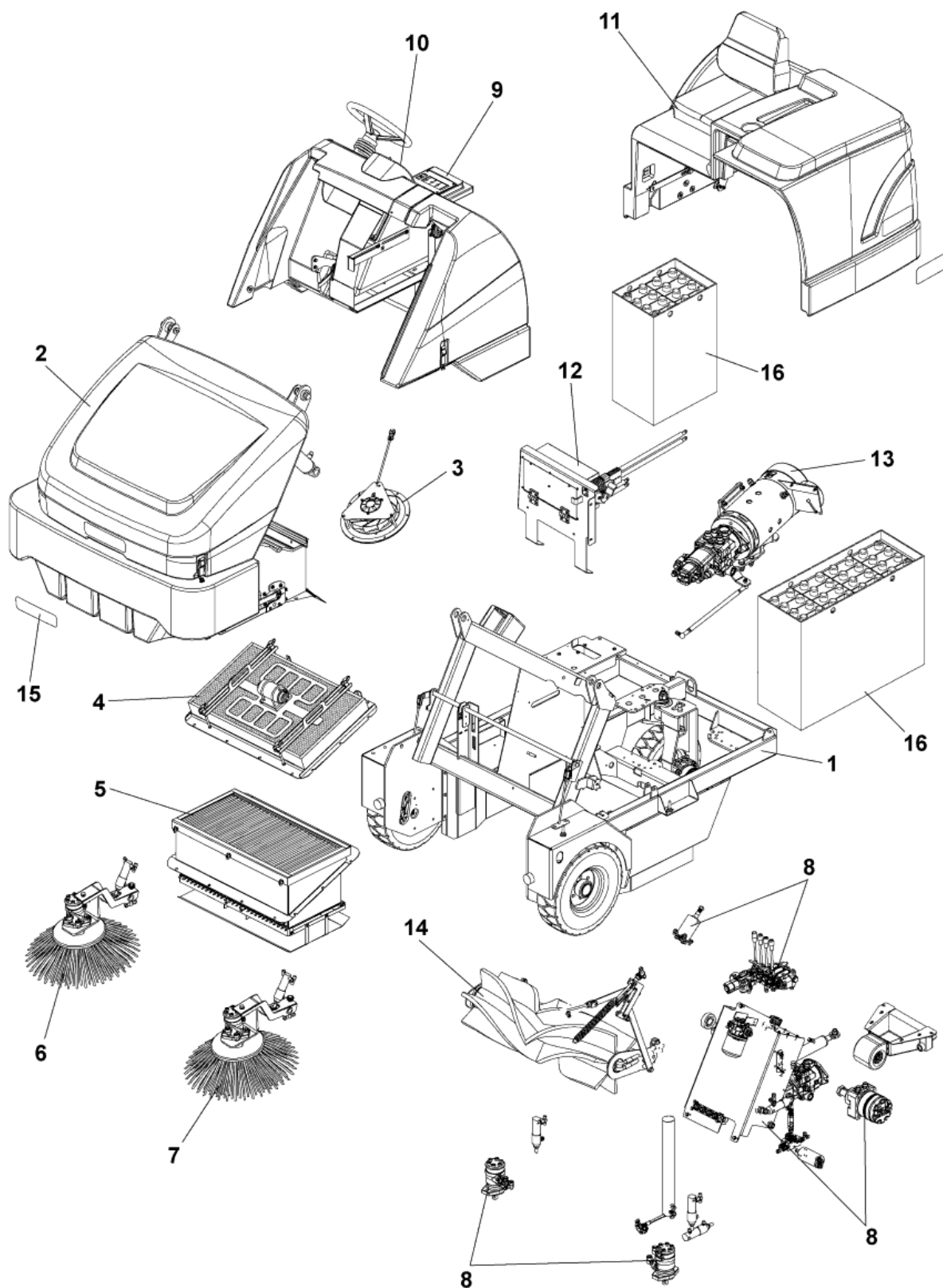
PARTS LIST



2021.11.11

TABLE OF CONTENTS

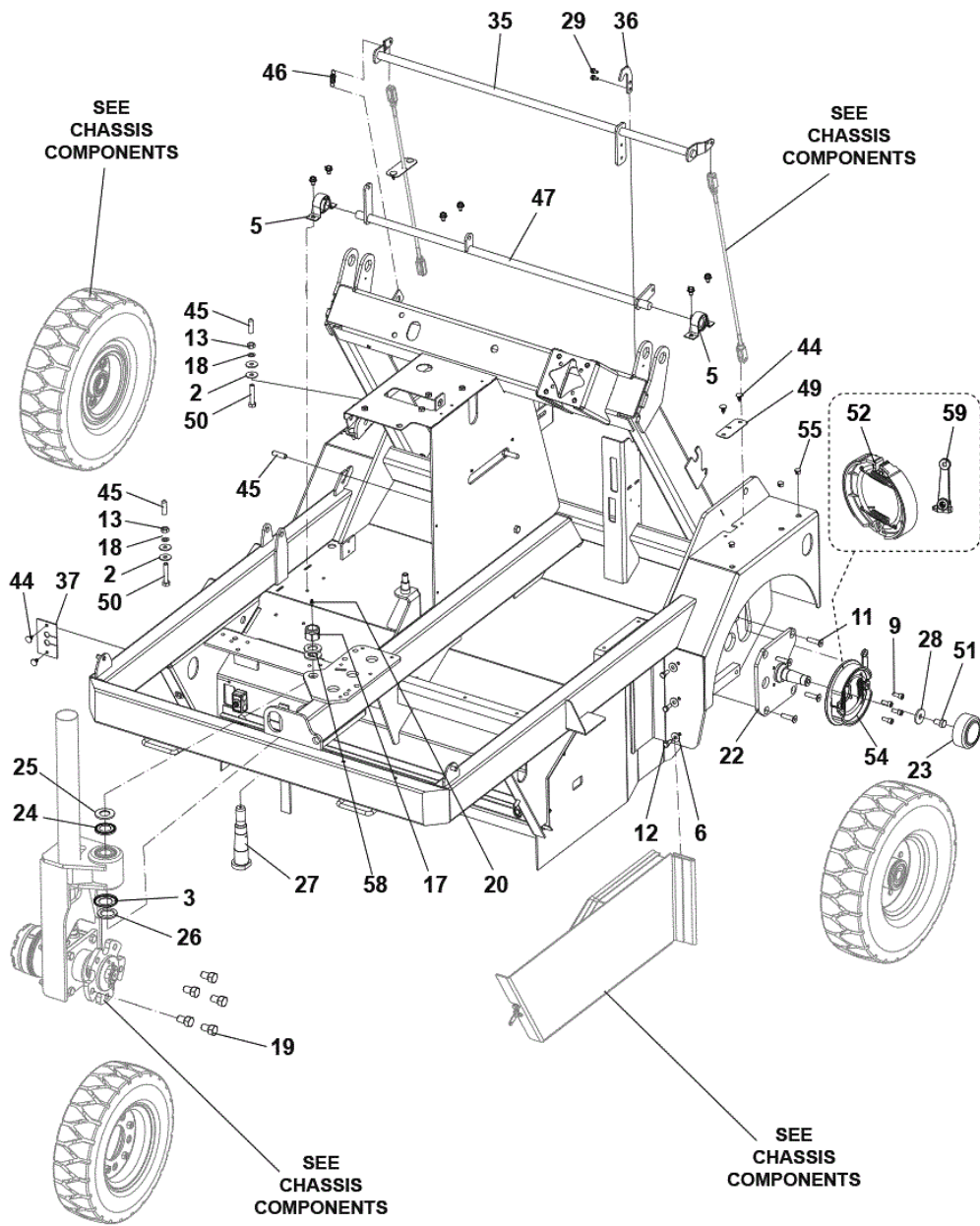
GENERAL VIEW	1
CHASSIS ASSEMBLY 1	3
CHASSIS ASSEMBLY 2	5
CHASSIS COMPONENTS	7
HOPPER SYSTEM	9
VAC FAN - PANEL FILTER ASSY	11
RIGHT SIDE BROOM ASSY	13
LEFT SIDE BROOM ASSY	15
MAIN BROOM ASSY	17
CONTROL ASSEMBLY	19
PEDALS SYSTEM	21
ELECTRIC BOX	23
CONTROL PANEL AND RELAYS	25
REAR COVER ASSY	27
ELECTRIC MOTOR ASSY	29
HYDRAULIC PLAN ASSY 1	31
HYDRAULIC PLAN ASSY 2	33
HYDRAULIC PLAN ASSY 3	35
DRIVE MOTOR SCHEME	37
STEERING SCHEME	39
FLAP AND HOPPER SCHEME	41
SIDE BROOM SCHEME	43
ACCESSORIES - 1	45
ACCESSORIES - 2	47
LIGHT FRONT LED KIT 48V	49
ACCESSORIES - 3	51
ACCESSORIES - 5	53
WIRING DIAGRAM BATTERY - 1	55
WIRING DIAGRAM BATTERY - 2	57
WIRING DIAGRAM BATTERY - 3	59
HYDRAULIC DIAGRAM BATTERY	61
RECOMMENDED SPARE PARTS	63
OPTIONALS	66
ACCESSORIES - 5	69
ACCESSORIES - 8	71
33019571_SIDE BROOM PROTECTION KIT	73



Pos.	Product no	QTY	Description	Notes
NS	33023879	1	CARDBOARD SHEET 1650X1450MM	
NS	33023878	1	CARDBOARD SHEET 2240X1560MM	
1		1	CHASSIS ASSEMBLY	[1]
2		1	HOPPER SYSTEM	[2]
3		1	VAC FAN ASSY	[3]
4		1	PANEL ASSY	[4]
5		1	POCKET FILTER ASSY	
6		1	RIGHT SIDE BROOM ASSY	[5]
7		1	LEFT SIDE BROOM ASSY	[6]
8		1	HYDRAULIC PLANT ASSY	[7]
9		1	CONTROL ASSY	[8]
10		1	CONTROL PANEL AND RELAYS ASSY	[9]
11		1	REAR COVER ASSY	[10]
12		1	ELECTRIC BOX ASSY	[11]
13		1	ELECTRIC MOTOR ASSY	[12]
14		1	MAIN BROOM SYSTEM	[13]
15	33019727	1	DECALS SR 1601 B KIT	
16	80562010	1	BATT.48V-375AH WET 2 TRAY W/BFSBATTERY TRACTION 48 V 375 A	[14]
16	80554842	1	CHARGER HF 48V 60A R320BATTERY CHARGER 48V 50Ah	[14]

Part Notes:

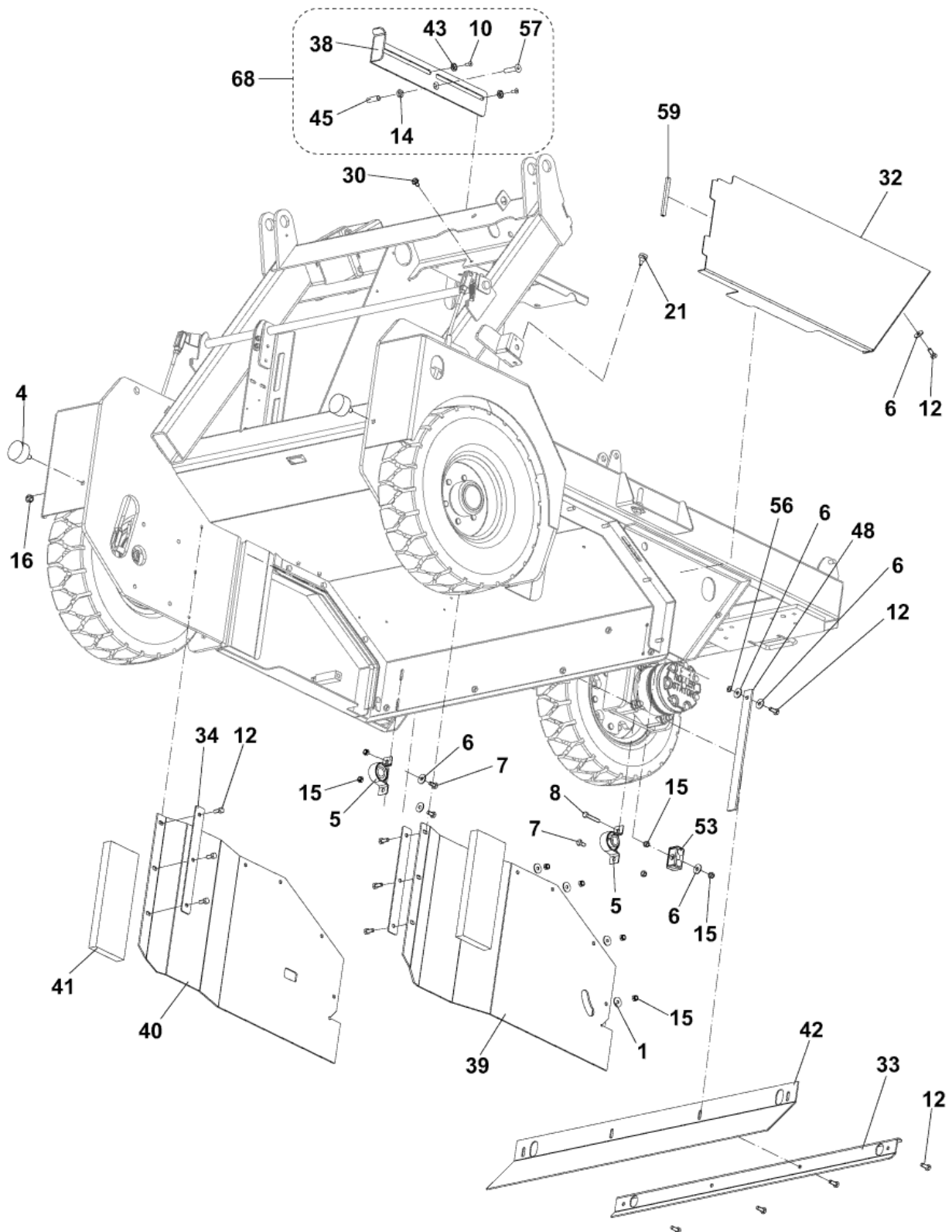
- [1] - CHASSIS ASSEMBLY 1or CHASSIS ASSEMBLY 2or CHASSIS COMPONENTS
- [2] - HOPPER SYSTEM
- [3] - VAC FAN
- [4] - PANEL FILTER ASSY
- [5] - RIGHT SIDE BROOM ASSY
- [6] - LEFT SIDE BROOM ASSY
- [7] - HYDRAULIC PLAN ASSY 1or HYDRAULIC PLAN ASSY 2or HYDRAULIC PLAN ASSY 3
- [8] - CONTROL ASSEMBLY
- [9] - CONTROL PANEL AND RELAYS
- [10] - REAR COVER ASSY
- [11] - ELECTRIC BOX
- [12] - ELECTRIC MOTOR ASSY
- [13] - MAIN BROOM ASSY
- [14] - OPTIONAL



Pos.	Product no	QTY	Description	Notes
3	33003125	1	RING NILOS AV 32007	
5	33003201	4	BEARING BALL UNIT 204 KIT	
22	33018790	1	SUPPORT FRONT WHEEL KIT	
23	1467021000	1	CAP 2 PCS SET	
24	33016909	1	RING NILOS AV 32006X	
25	33016910	1	WASHER PLAIN D.30.6X50X4 CONICAL GALV.	
26	33016911	1	WASHER PLAIN D.35.2X50X4 GALV.	
27	33016912	1	PIN DRIVE YOKE PIVOT PHOS.	
35	33017113	1	BAR JOINT BRAKE	
36	33017114	1	PLATE F BAR JOINT BRAKE LOCKING	
37	33023477	1	RUBBER F MAIN BROOM HOSES KIT	
46	33017199	1	SPRING EXTENTION D.E.12.5 WIRE D.1.5	
47	33017220	1	BAR F TRACTION PUMP CONTROL	
49	33017266	2	RUBBER LEVER BRAKE	
52	1467066000	2	SHOE BRAKE SIP	
54	33020205	2	DRUM BRAKE KIT	[1]
54	33020204	2	DRUM BRAKE	
59	1467244000	1	LEVER F DRUM BRAKE SIP	
K1	33020409	1	HARDWARE CENTRING KIT	[2]
K2	33020410	1	HARDWARE BRAKE BAR KIT	[3]
K3	33020411	1	HARDWARE FRONT WHEEL SUPPORT KIT	[4]
K4	33020412	1	HARDWARE REAR WHEEL PIN KIT	[5]
K5	33020332	1	HARDWARE CHASSIS KIT	[6]
K6	33018791	1	FIXING GASKETS KIT	[7]

Part Notes:

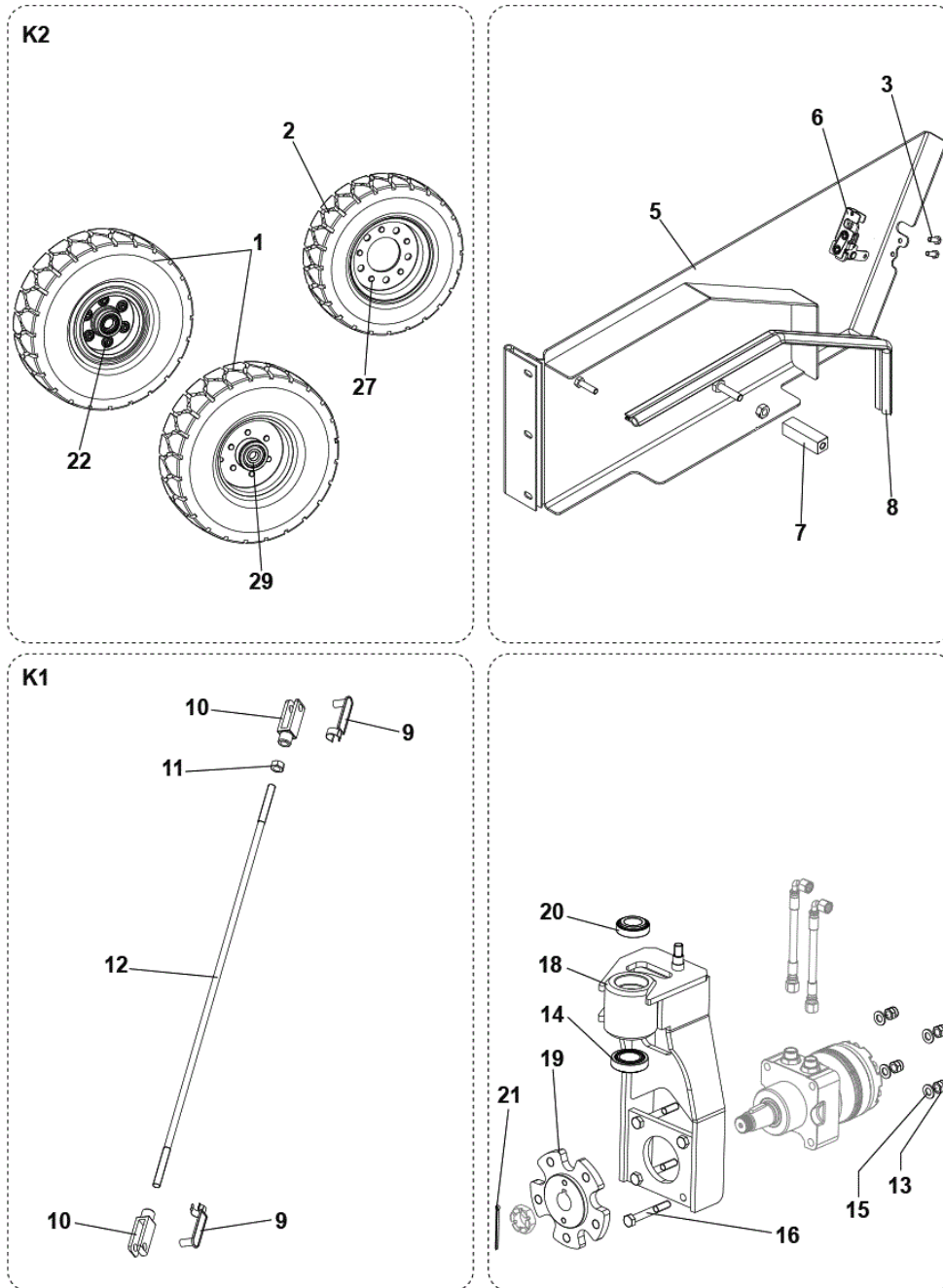
- [1] - UNTIL S/N 084734256
- [2] - NOT SHOWN - POS. 2-13-18-45-50
- [3] - NOT SHOWN - POS. 29-44
- [4] - NOT SHOWN - POS. 9-28-51
- [5] - NOT SHOWN - POS. 17-20-58
- [6] - NOT SHOWN - POS. 3-13-16 chassis components POS. 2-6-9-11-12-13-17-18-19-20-28-29-44-45-50-51-55-58
- [7] - NOT SHOWN - POS. 1-12-15-33-34



Pos.	Product no	QTY	Description	Notes
4	33003129	2	VIBRATION -DAMPING	
21	1467006000	1	PLUG ANTI VIBRATION D.8-D.20 10 PCS SET	
32	33017057	1	DOOR LEFT WELDED	
39	33017171	1	SKIRT LT SIDE	
40	33017172	1	SKIRT RT SIDE	
41	33017173	2	FOAM HOPPER SIDE	
42	33017174	1	SKIRT REAR BROOM	
48	33017262	1	RUBBER ANTISTATIC STRAP	
53	33018539	1	CLAMP PIPE TWIN PLASTIC D.18MM	
59	33021180	1	GASKET U SHAPED PVC L.100MM SIP	
K5	33020332	1	HARDWARE CHASSIS KIT	[1]
K6	33018791	1	FIXING GASKETS KIT	[2]
K7	33020333	1	HARDWARE FLAP KIT	[3]
K8	33019212	1	HOPPER STOP KIT	[4]
K9	33023472	1	SUPPORT BEARING KIT	[5]

Part Notes:

- [1] - NOT SHOWN - POS. 3-13-16 chassis components POS. 2-6-9-11-12-13-17-18-19-20-28-29-44-45-50-51-55-58
- [2] - NOT SHOWN - POS. 1-12-15-33-34
- [3] - NOT SHOWN - POS. 1-6-12-15-16
- [4] - POS. 10-14-38-43-45-57
- [5] - NOT SHOWN - POS. 5-6-7-8-15



CHASSIS COMPONENTS

SR 1601 B

2018.06.27

2018.06.27

Pos.	Product no	QTY	Description	Notes
1	33022519	1	WHEELS SUPERELASTIC 5.00/8 KIT	[1]
2	33023124	1	WHEEL SUPERELASTIC CONTINENTAL 4.00/8SIP	[2]
2	33023371		RIM F 4.00/8 WHEEL SIP	
5	33019101	1	HATCH RIGHT KIT	[3]
7	33017128	1	STOPPER PLAST. BROOM ARM	
8	33017129	1	GASKET BULB REINFORCED L.670MM	
14	33003175	1	BEARING TAPER ROLLER 32007	
18	33018792	1	SUPPORT MET. GREY F DRIVE WHEEL KIT	[4]
19	33017103	1	HUB REAR WHEEL GALV.	
20	1467636000	1	BEARING TAPER ROLLER 32006 SIP	
22	33023378	2	STUD BOLT F WHEELS KIT	
27	33023369	1	STUD BOLT F WHEELS KIT	
29	33023318	2	BEARING AND SPACER F 5.00-8 WHEEL KIT	
K1	33018794	1	CONNECTION BRAKE KIT	[5]
K2	33023020	1	WHEELS SOLID KIT	
K3	33018796	1	CLOSING HATCH RIGHT SIDE KIT	[6]
K4	33020413	1	HARDWARE REAR WHEEL KIT	[7]

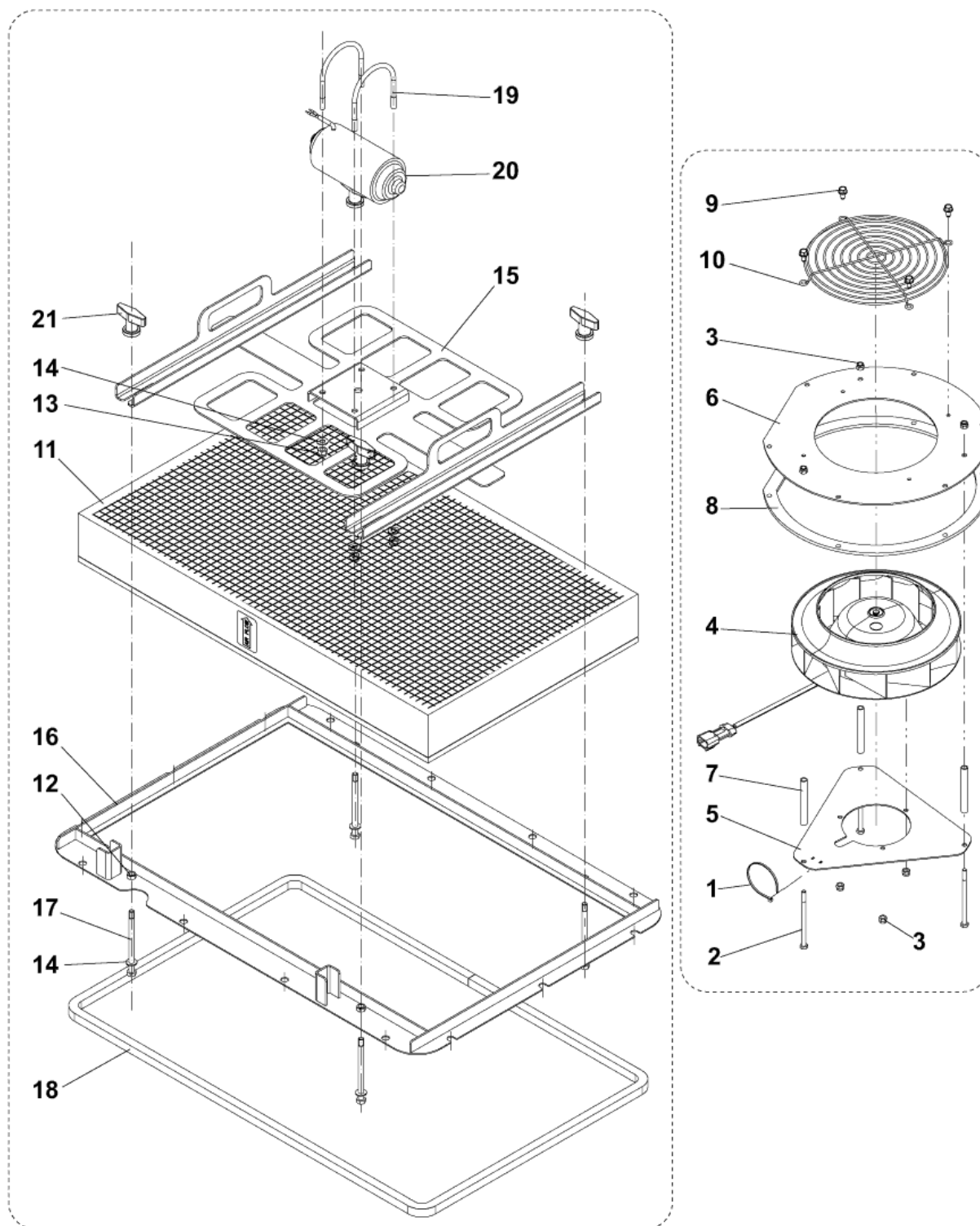
Part Notes:

- [1] - FRONT TYRE
- [2] - STEARING TYRE COMPLETE
- [3] - INCLUDED POS. 12-6 Chassis assembly
- [4] - INCLUDED POS. 13-15-16-21
- [5] - POS. 9-10-11-12
- [6] - NOT SHOWN - POS. 3-6
- [7] - NOT SHOWN - POS. 19 Chassis assembly - POS. 13-15-16

Pos.	Product no	QTY	Description	Notes
23	33017058	1	HOPPER WASTE PLAST. GREY	
24	33017059	1	ARM LIFTING HOPPER MET.GREY	
25	33017060	2	PIN HOPPER PIVOT	
26	33017061	1	COVER HOPPER WASTE PLAST. GREY	
27	33017108	1	BAR SAFETY GALV.	
31	33023365	1	GASKET BULB RUBBER L.2930MM SIP	
37	33017137	1	ARM HOPPER DOOR MET. GREY	
38	33017138	1	PLATE HOPPER BUTTOM GALV.	
39	33017139	2	PIN HOPPER DOOR GALV.	
40	33017146	2	PIN GALV. F CYLINDER BRACKET	
41	33017229	1	PLATE HOPPER GALV.	
42	33017257	1	GASKET BULB REINFORCED L.900MM	
45	33023577	1	SPRING COMPRESS. D.E.24.5 WIRE D.5.5 SIP	
46	33023734	1	BRACKET SUPPORT PIN HOPPER DOOR KIT	
53	33020011	2	PLATE OF CONTRAST MET.GREY	
55	56507188	2	LATCH HOPPER COVER	
59	33017116	2	BEARING FLANGE IGLIDUR MFM-2228-15	
60	33023168	1	HATCH HOPPER WASTE GALV. SIP	
61	33017201	1	PLATE LOWER F SKIRT GALV.	
62	33017202	1	SKIRT HOPPER DOOR	
63	33017240	2	STRAP DOOR F SIDE SKIRT	
64	33017241	1	RUBBER F HATCH HOPPER WASTE	
68	33021975	1	GAS SPRING KIT	[1]
69	33017366	1	HARNES HOPPER	[2]
K1	33023646	2	LATCH SOFT DRAW RUBBER KIT	[3]
K2	33019115	1	HINGES BONNET KIT	[4]
K3	33021589	1	HOSES FIXING KIT	[5]
K4	33021590	1	PLATE CONTAINER KIT	[6]
K5	33022073	1	DOOR FIXING LIFTING KIT	[7]
K6	33023167	1	SKIRT HATCH CONTAINER KIT	[8]
K7	33019117	1	GASKETS HATCH KIT	[9]
K8	33020414	1	HARDWARE HOPPER BOTTOM KIT	[10]
K9	33020415	1	HARDWARE SUPPORT KIT	[11]
K10	33020334	1	HARDWARE HOPPER KIT	[12]
K11	33018798	1	HARDWARE LIFTING CONTAINER KIT	[13]
K12	33018801	1	ROD F ARM HOPPER LIFTING KIT	[14]

Part Notes:

- [1] - NOT SHOWN - OPTIONAL - SEE INST. INSTR. 33021977
- [2] - NOT SHOWN
- [3] - NOT SHOWN - POS. 2-48-55
- [4] - NOT SHOWN - POS 6-13-29-30-53
- [5] - NOT SHOWN - POS. 50-51-52
- [6] - NOT SHOWN - POS. 20-35-36
- [7] - NOT SHOWN - POS. 7-8-14-16-17-22-37-40-43-44-45-49-56
- [8] - NOT SHOWN - POS. 15-58-59-54-61-62-63-64
- [9] - NOT SHOWN - POS. 64-62-65
- [10] - NOT SHOWN - POS. 9-17-15-12-10-5-4-29
- [11] - NOT SHOWN - POS. 1-3-9-13-20-19-29
- [12] - NOT SHOWN - POS. 1-3-4-5-9-10-12-13-15-17-19-20-29
- [13] - NOT SHOWN - POS. 6-11-19-22-25-28-32-33-34
- [14] - NOT SHOWN - POS. 16-18-47



VAC FAN - PANEL FILTER ASSY

SR 1601 B

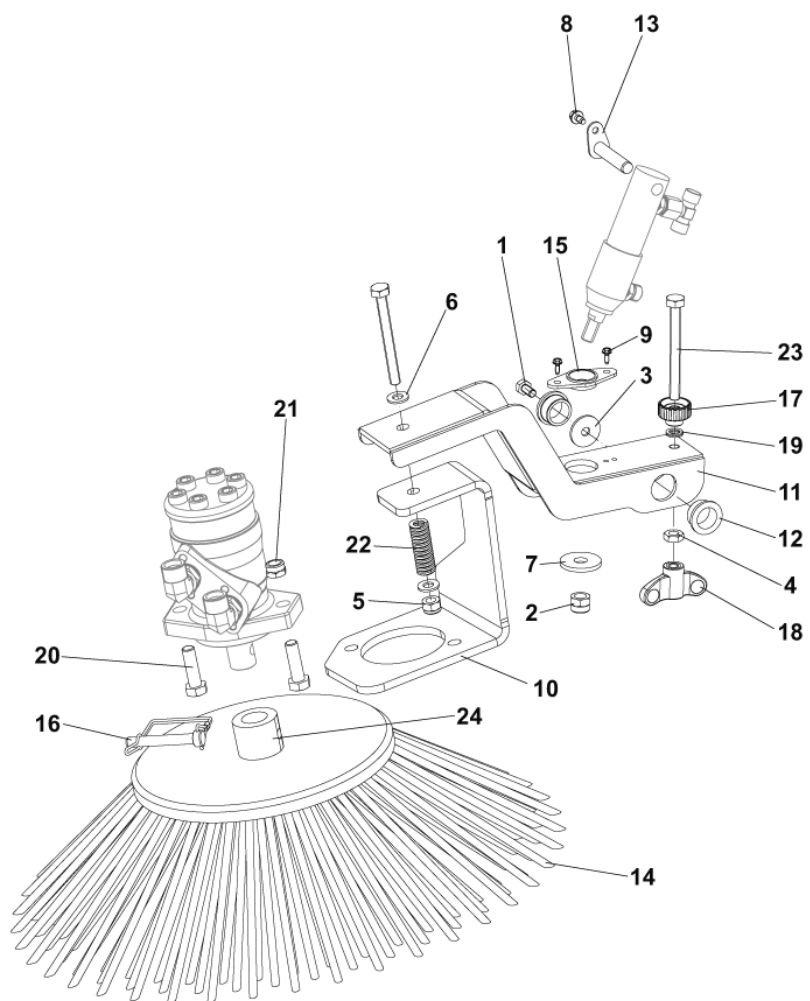
2017.11.02

2018.06.28

Pos.	Product no	QTY	Description	Notes
4	33015700	1	FAN RADIAL 48V	
8	33023192	1	GASKET MOTOR VACUUM SIP	
11	8-24-04139-1	1	FLTR PANEL ULTRA-WEB CELLULOSE	
11	56382789	1	FILTER PANEL POLY HIGH FLOW	[1]
15	33023576	1	PLATE FILTER SHAKER KIT	
16	33017119	1	FRAME PANEL FILTER GALV.	
18	33018634	1	GASKET ADHESIVE 15X15 L.2560MM	
20	33017232	1	MOTOR FILTER SHAKER 90W 48V	
21	9098257000	4	NUT THUMB SQUEEGEE FIXING 5/16-18	
22	33021181	1	GASKET U SHAPED PVC L.170MM SIP	
K1	33018804	1	FIXING ELECTROFAN KIT	[2]
K2	33018805	1	GRILL ELECTROFAN KIT	[3]
K3	33020335	1	HARDWARE PANEL FILTER KIT	[4]
K4	33019259	1	ANTISTATIC KIT	[5]

Part Notes:

- [1] - OPTIONAL
- [2] - NOT SHOWN - POS. 1-2-3-5-6-7
- [3] - NOT SHOWN - POS. 9-10
- [4] - NOT SHOWN - POS. 12-13-14-17-19
- [5] - NOT SHOWN - SEE INST. INSTR. 33019261 - SEE TSB IT 2010-046



00000000/000000 00

RIGHT SIDE BROOM ASSY

SR 1601 B

2017.11.02

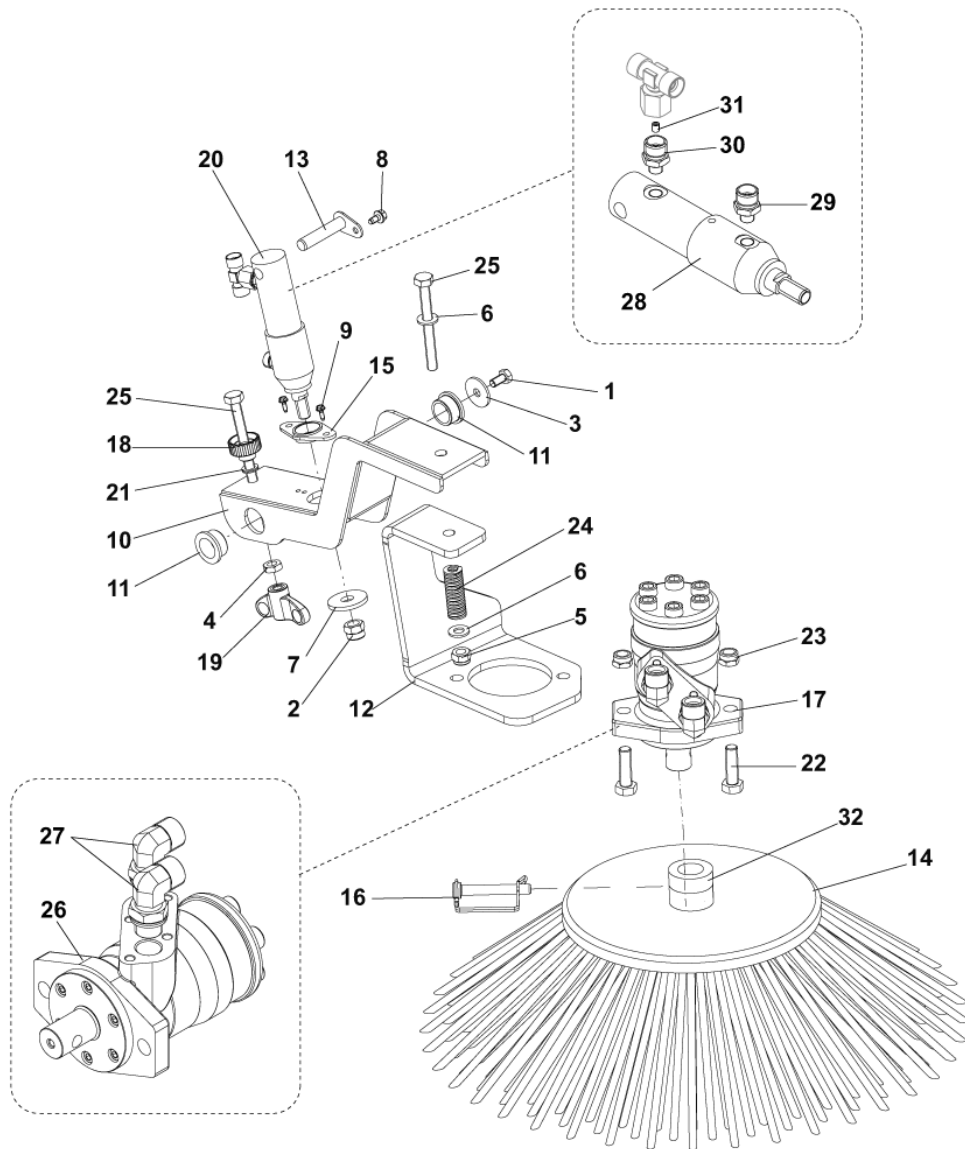
2018.06.28

Pos.	Product no	QTY	Description	Notes
10	33017107	1	SUPPORT RIGHT SIDE MOTOR	
11	33017115	1	ARM SIDE BROOM MET.	
14	33021313	1	BROOM SIDE 300X500 PPL 1.5	
14	33017255	1	BROOM SIDE 260X550 PPL 1.5	
14	33018889	1	BROOM SIDE 260X550 MIX STEEL	[1]
14	33023366	1	BROOM SIDE 260X550 NYLON	[1]
16	1467070000	1	PIN D.10 GALV. W/CLIP SIP	
17	33017889	1	KNOB M10	
18	33018333	1	NUT WING M10	
22	146 1317 000	1	SPRING COMPR. D.E. 18.5 YELLOW ISO10243	
24	33020628	1	HUB BROOM	
K1	33020336	1	HARDWARE SUPPORT KIT	[2]
K2	33020337	1	HARDWARE CYLINDER SIDE BROOM KIT	[3]
K3	33020338	1	HARDWARE SETTING SIDE BROOM KIT	[4]

Part Notes:

- [1] - OPTIONAL
- [2] - NOT SHOWN - POS. 4-5-6-20-21-22
- [3] - NOT SHOWN - POS. 2-7-8-9-13-15
- [4] - NOT SHOWN - POS. 1-3-7-12-17-18-19-23

equipped on SR 1601 MAXI



00000000000000000000

LEFT SIDE BROOM ASSY

SR 1601 B

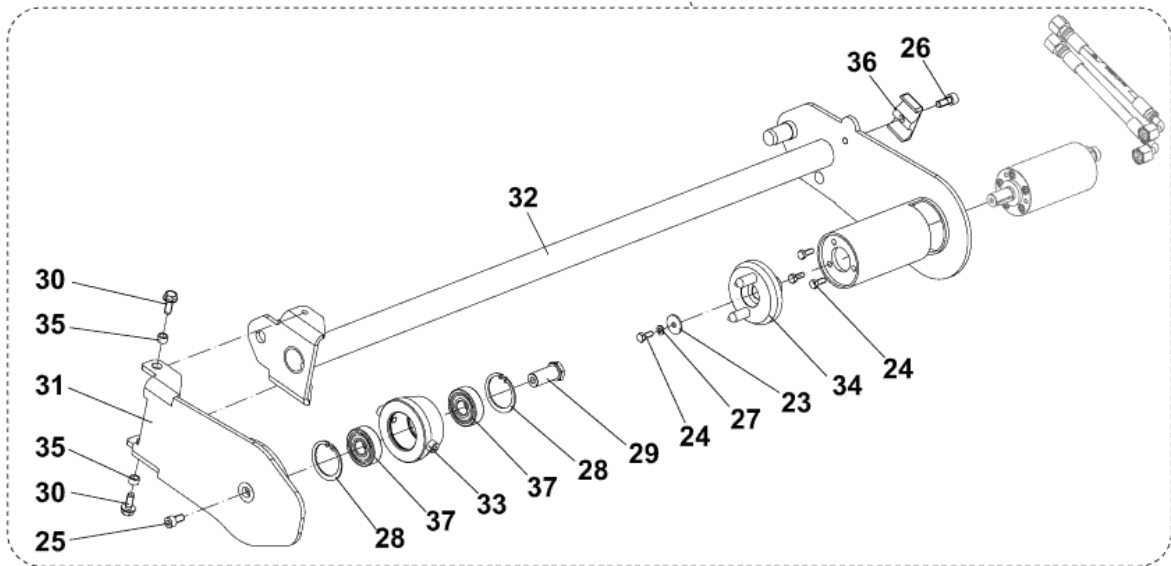
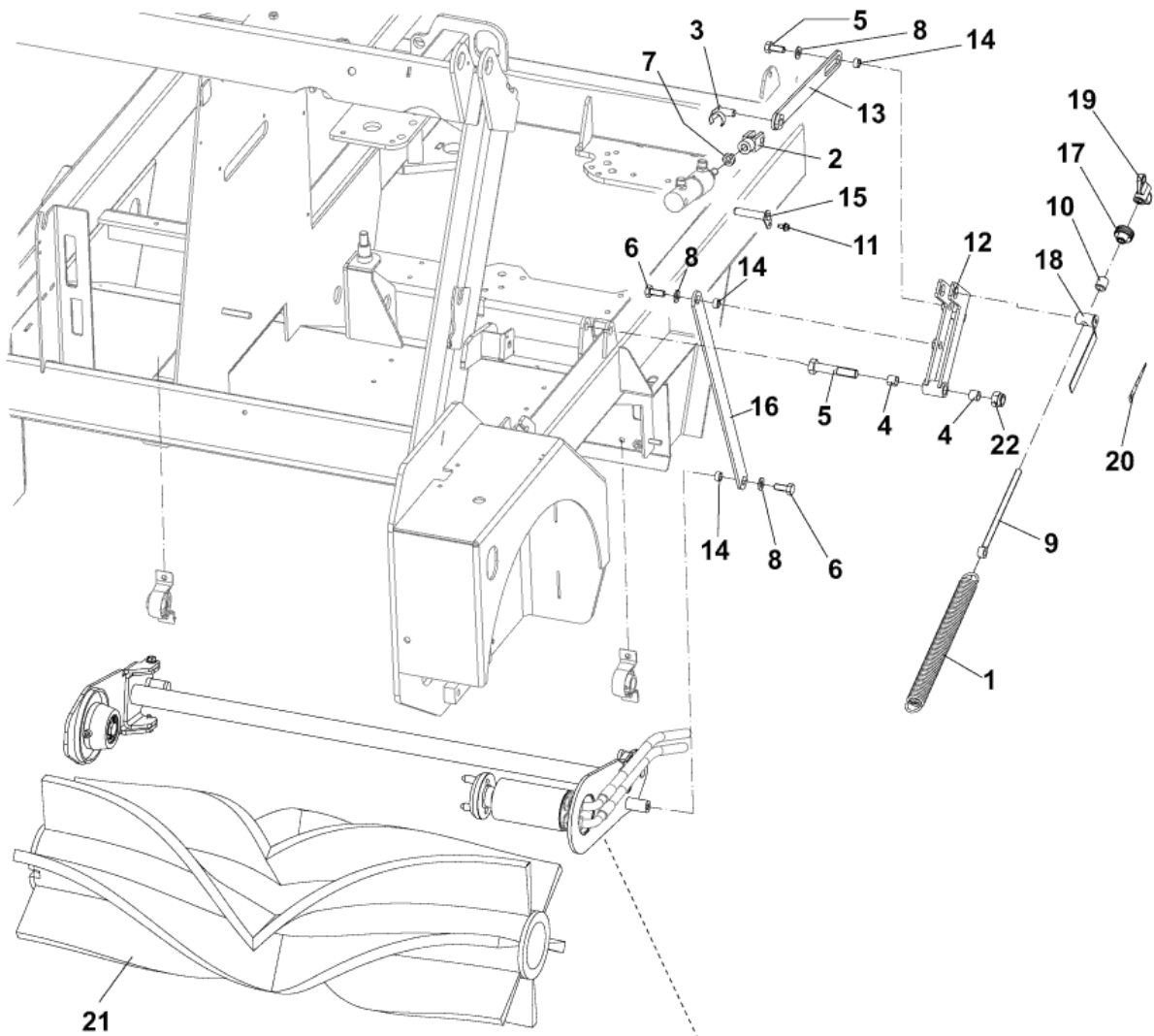
2017.11.02

2018.06.28

Pos.	Product no	QTY	Description	Notes
10	33017115	1	ARM SIDE BROOM MET.	
12	33017117	1	SUPPORT LEFT SIDE MOTOR	
14	33021313	1	BROOM SIDE 300X500 PPL 1.5	
14	33017255	1	BROOM SIDE 260X550 PPL 1.5	
14	33018889	1	BROOM SIDE 260X550 MIX STEEL	[1]
14	33023366	1	BROOM SIDE 260X550 NYLON	[1]
16	1467070000	1	PIN D.10 GALV. W/CLIP SIP	
17	33018807	1	MOTOR SIDE BROOM KIT	
18	33017889	1	KNOB M10	
19	33018333	1	NUT WING M10	
20	33021766	1	SIDE BROOM LEFT CYLINDER KIT	
24	146 1317 000	1	SPRING COMPR. D.E. 18.5 YELLOW ISO10243	
26	33017003	1	MOTOR HYDRAULIC 160CC	
26	33020754	1	GASKETS HYDRAULIC MOT.KIT	[2]
27	33015874	2	ELBOW 90 M1/2	
28	33021255	1	CYLINDER 25/16 50	
28	33022009	1	GASKET MICRO CYLINDER 16/25/50 KIT	[3]
29	33018375	1	FITTING M/M 1/8-M16X1.5	
30	33018222	1	FITTING M/M 1/8-M16X1.5 REW.	
31	33018215	1	DOWEL CALIBRATED M5X6 D. 0.5	
32	33020628	1	HUB BROOM	
K1	33019173	1	BROOM LEFT SIDE PPL KIT	[4]
K2	33020336	1	HARDWARE SUPPORT KIT	[5]
K3	33020337	1	HARDWARE CYLINDER SIDE BROOM KIT	[6]
K4	33020338	1	HARDWARE SETTING SIDE BROOM KIT	[7]

Part Notes:

- [1] - OPTIONAL
- [2] - For item 33017003
- [3] - For item 33021255
- [4] - NOT SHOWN - OPTIONAL - SEE INST. INSTR. 33018767
- [5] - NOT SHOWN - POS. 4-5-6-21-23-25
- [6] - NOT SHOWN - POS. 2-7-8-9-13-15
- [7] - NOT SHOWN - POS. 1-3-7-11-18-19-23



MAIN BROOM ASSY

SR 1601 B

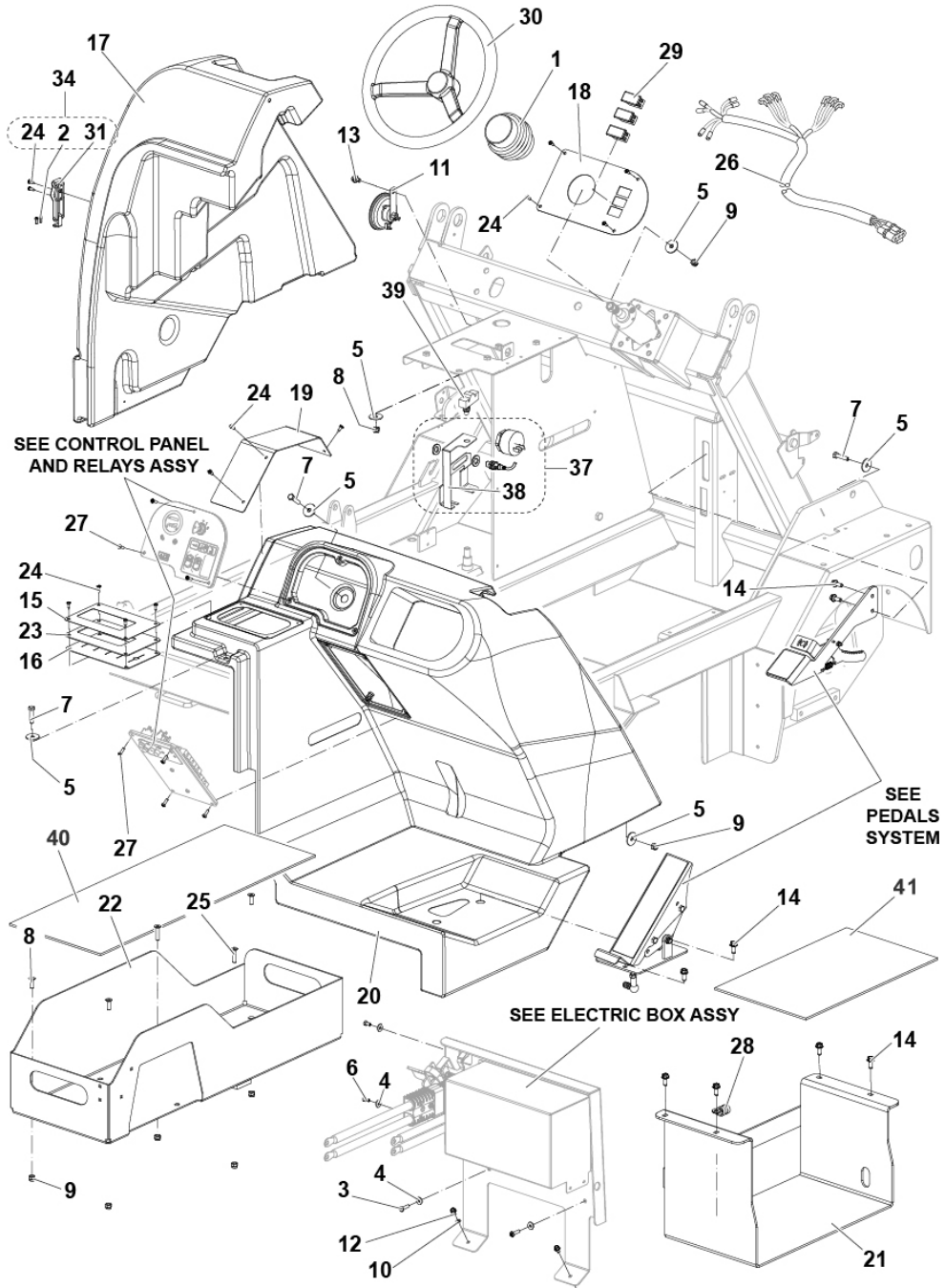
2017.11.02

2018.06.28

Pos.	Product no	QTY	Description	Notes
1	33002106	1	SPRING EXTENSION D.E.30 WIRE D.4	
21	33018853	1	BROOM MAIN 310X900 CHEVRON 6R PPL 0.7	
21	33018852	1	BROOM MAIN 310X900 CHEVRON 6R NYLON	[1]
21	33018854	1	BROOM MAIN 310X900 CHEVRON 6R MIX STEEL	[1]
21	33018855	1	BROOM MAIN 310X900 CHEVRON 6R UNION MIX	[2]
31	33017007	1	FLANGE RT F MAIN BROOM GALV.	
32	33023483	1	SUPPORT F MAIN BROOM SIP	
33	33017140	1	HUB IDLE GALV. F MAIN BROOM	
34	33017141	1	HUB MAIN BROOM ELECTRIC MOTOR GALV.	
37	33023722	2	BEARING BALL 6303 2RS DOUBLE LIP SIP	
38	33023484	1	SUPPORT MOTOR KIT	[3]
39	33023721	1	HUB AND BEARING BALL KIT	[4]
40	33018865	1	PLATE MAIN BROOM KIT	[5]
41	33018868	1	LEVER WELDT KIT	[6]
42	33018867	1	TIE-ROD EYE D.10 KIT	[7]
43	33018869	1	LEVER F MAIN BROOM LIFTING KIT	[8]

Part Notes:

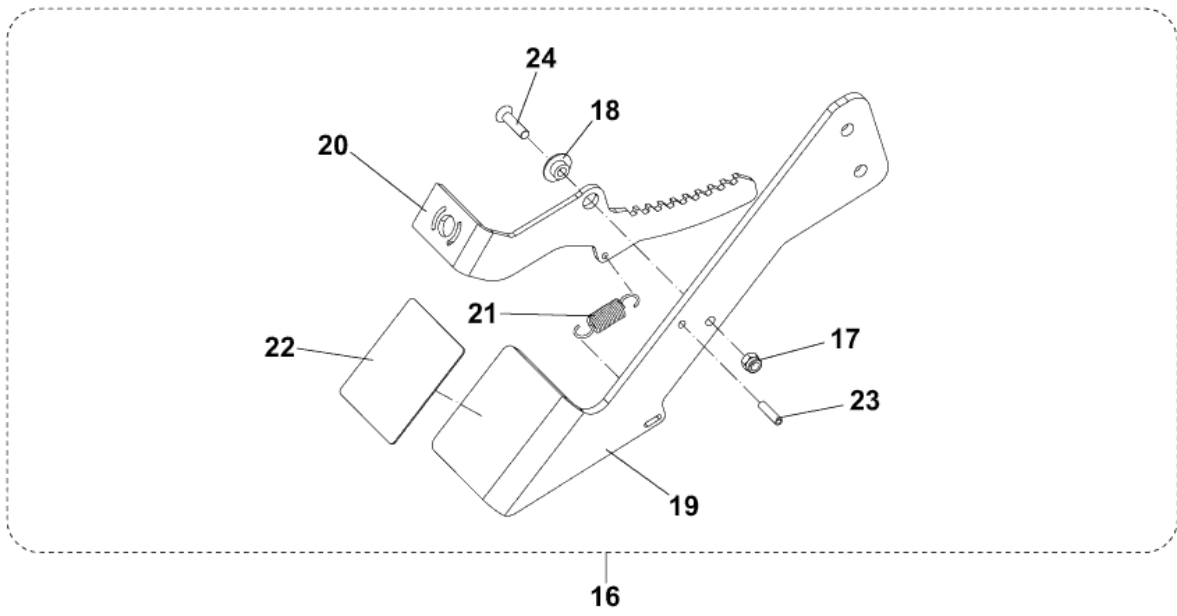
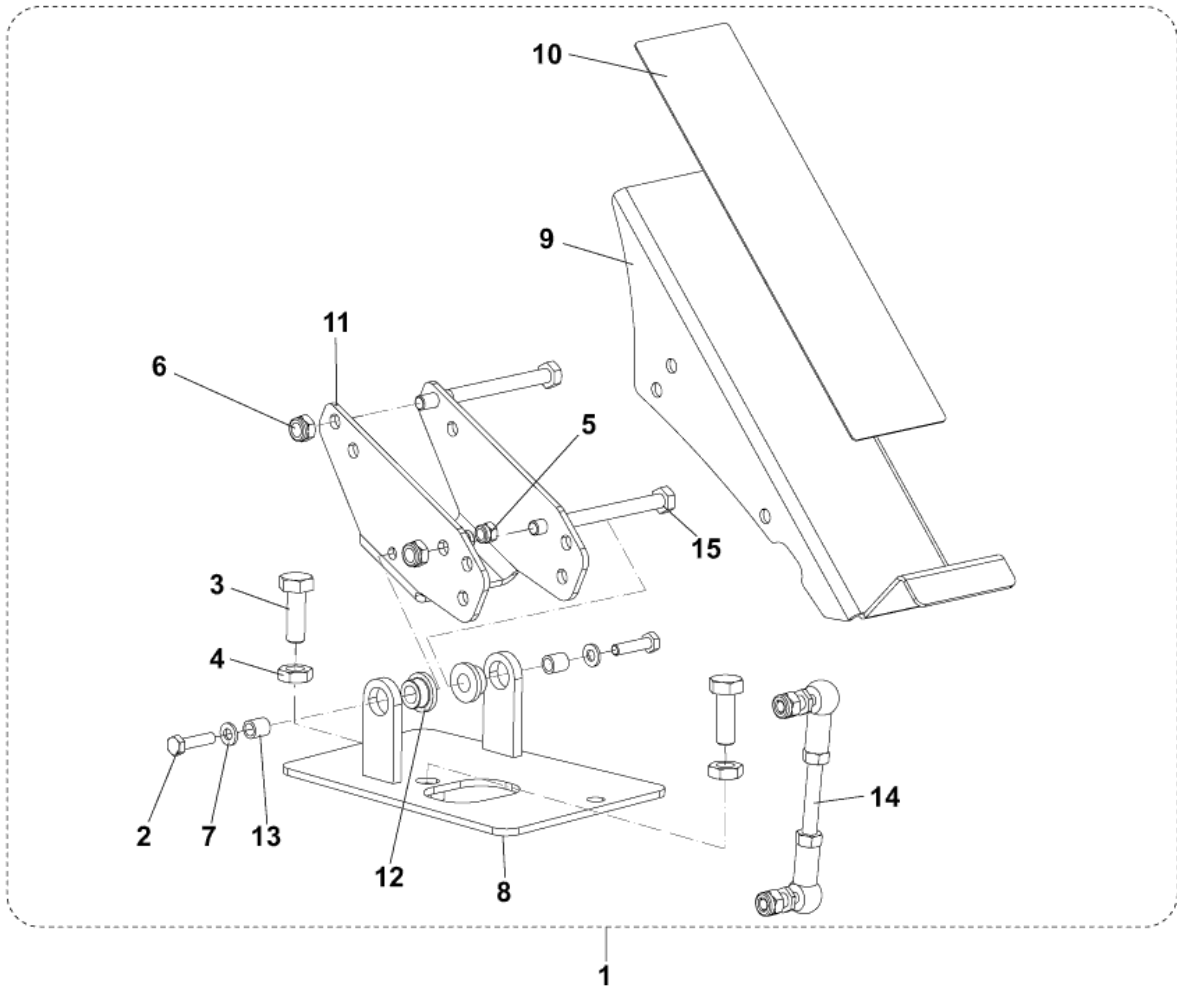
- [1] - Optional
- [2] - Optional
see PI 2014-003 TTY
- [3] - NOT SHOWN (Pos 30-31-32-35-26-36)
- [4] - NOT SHOWN (Pos 25-37-23-24-27-28-29-33-34)
- [5] - NOT SHOWN (Pos 2-3-6-8-7-15-13-14-11)
- [6] - NOT SHOWN (Pos 12-22-5-4)
- [7] - NOT SHOWN (Pos 9-10-17-18-19-20)
- [8] - NOT SHOWN (Pos 16-6-8-14)



Pos.	Product no	QTY	Description	Notes
1	8-33-02360	1	HOSE- HEAT SHIELD	
11	33009017	1	HORN 48V 112DB	
15	33017053	1	DECAL DISTRIBUTOR	
16	33017164	1	RUBBER LEVER COVER F DISTRIBUTOR HOUSING	
17	33017169	1	COVER SIDE PLASTIC GREY	
17	33021154	1	WATER TANK KIT	[1]
18	33017224	1	COVER PLATE NON TILT STEERING WHEEL	
19	33017246	1	PLATE F HOOD MET.	
20	33017256	1	CONSOLE PLASTIC GREY	
21	33023456	1	SUPPORT TRACTION BATTERY KIT	[2]
22	33017264	1	SUPPORT LEFT	
23	33017291	1	PLATE MANIFOLD BATT MACH	
26	33017376	1	HARNES MACHINE BATTERY	
28	1466345000	1	CLIP RUBBER PIPE RETAINING D12 3 PCS SET	
29	909 5836 000	3	COVER HOLE PLASTIC BLACK	
30	33018170	1	STEERING WHEEL D.362 TAPER 1/12	
31	56507188	1	LATCH HOPPER COVER	
K1	33023646	1	LATCH SOFT DRAW RUBBER KIT	[3]
K2	33020341	1	HARDWARE CONTROL LEFT KIT	[4]
K3	33020342	1	HARDWARE CONTROL RIGHT KIT	[5]
37	33022643	1	BUZZER REVERSE GEAR BATTERY KIT	[6]
38	33022404	1	BRACKET FOR SENSOR BATTERY VERSION	[7]
39	1466507000	1	MICROSWITCH 15A 250V SIP	
40	33020545	1	MAT BATTERY LEFT	
41	33020544	1	MAT BATTERY RIGHT	

Part Notes:

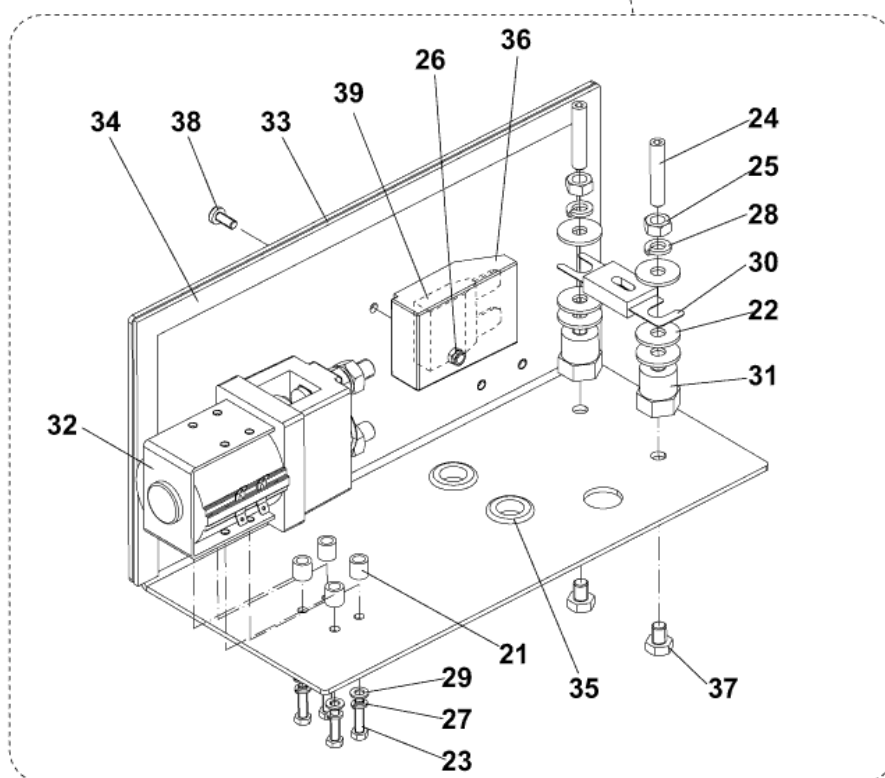
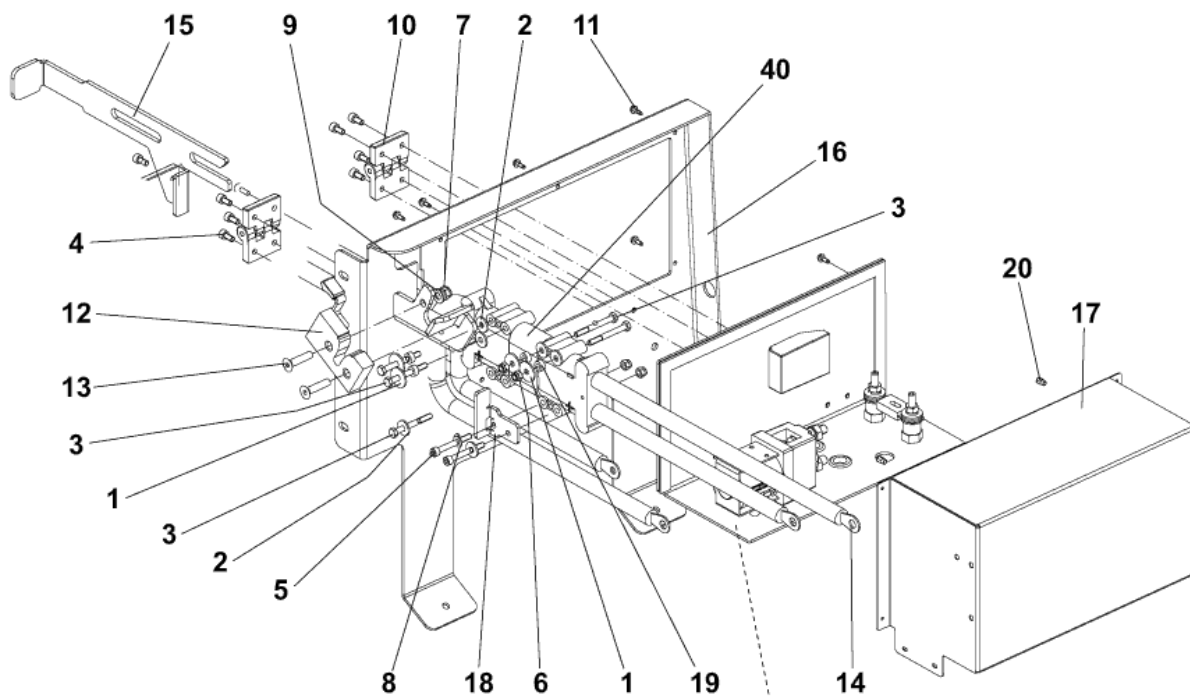
- [1] - FOR MAXI VERSION ONLY
- [2] - ACCESSORY PRUNING 2020
SEE INST. INTR. 33023455
- [3] - Q.TY 2 - POS. 31-2-24
- [4] - NOT SHOWN - POS. 24-14-13-9-7-5-2
- [5] - NOT SHOWN - POS. 27-25-24-14-13-12-10-9-8-7-6-5-4-3-2
- [6] - INSTALLATIONINSTRUCTION: 33019168
SEE TSB-FC-2013-148
- [7] - UP TO S/N 38100134500024 - CODE 33022405 NO MORE AVAILABLE SEE TSB FC 2013-148



Pos.	Product no	QTY	Description	Notes
1	33018841	1	FOOT PEDAL UPPER KIT	
8	33017203	1	MOUNT WELDED PEDAL	
9	33017204	1	FOOT PEDAL UPPER	
10	33017205	1	MAT PEDAL	
11	33017206	1	FOOT PEDAL LOWER	
12	33017216	2	BEARING FLANGE IGLIDUR MFM-1016-10	
13	33017217	2	SPACER D.7X10 H.11 GALV.	
14	33018842	1	CONNECTION PEDAL KIT	
16	33018845	1	PEDAL BRAKE KIT	
18	33017178	1	BUSH	
19	33017197	1	PEDAL BRAKE MET.	
20	33017198	1	PARKING BRAKE LEVER	
21	33017199	1	SPRING EXTENTION D.E.12.5 WIRE D.1.5	
22	33017259	1	MAT PEDAL	
K1	33020416	1	HARDWARE ACC. PEDAL KIT	[1]

Part Notes:

[1] - NOT SHOWN - POS. 15-13-12-7-6-5-4-3-2



ELECTRIC BOX

SR 1601 B

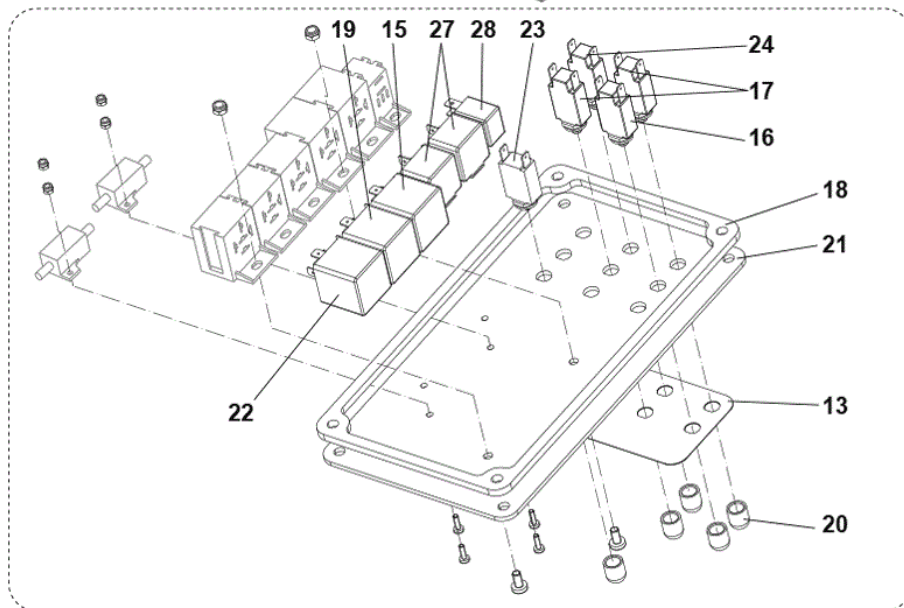
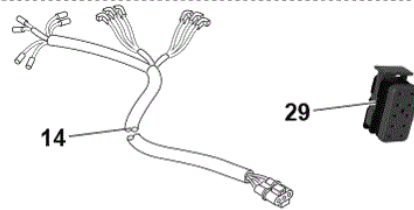
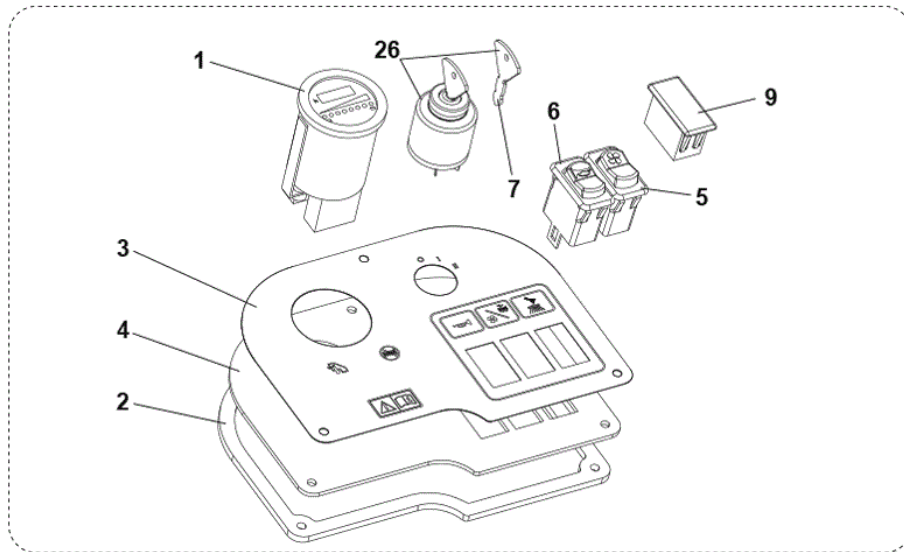
2017.11.02

2018.08.31

Pos.	Product no	QTY	Description	Notes
10	33009531	2	HINGE PLASTIC	
12	33017176	1	LATCH SLAM	
14	33023690	1	HARNESS BATT.AND EL.COMPONENTS EU SIP	
15	33017393	1	PLATE	
16	33017680	1	PLATE LEG PROTECTION	
17	33017683	1	BOX ELECTRIC MET.GREY	
18	33020297	1	BRACKET EMERGENCY DISCONNECT MET.RED	
30	33008583	1	POWER FUSE 250A	
31	33017365	2	ISOLATOR M8	
32	33017449	1	CONTACTOR UNIPOLAR 48V	
33	33017681	1	COVER	
34	33018876	1	GASKET ADHESIVE 15X5 L.650MM SIP	
36	146 0659 000	1	HOLDER MAXIFUSE	
39	909 5101 000	1	FUSE BLADE 30A	
40	33023729	1	CONNECTOR 320A BLUE SIP	
K1	33018861	1	BLOCK BONNET KIT	[1]
K2	33020449	1	HARDWARE ELECTRIC BOX KIT	[2]

Part Notes:

- [1] - NOT SHOWN - POS. 12-9-7-18-21-2 Rear cover assy - POS. 12-13
- [2] - NOT SHOWN - POS. 1-2-3-4-5-6-7-8-9-11-13-19-20-21-22-23-24-25-26-27-28-29-35-37-38



CONTROL PANEL AND RELAYS

SR 1601 B

2018.06.28

2018.06.28

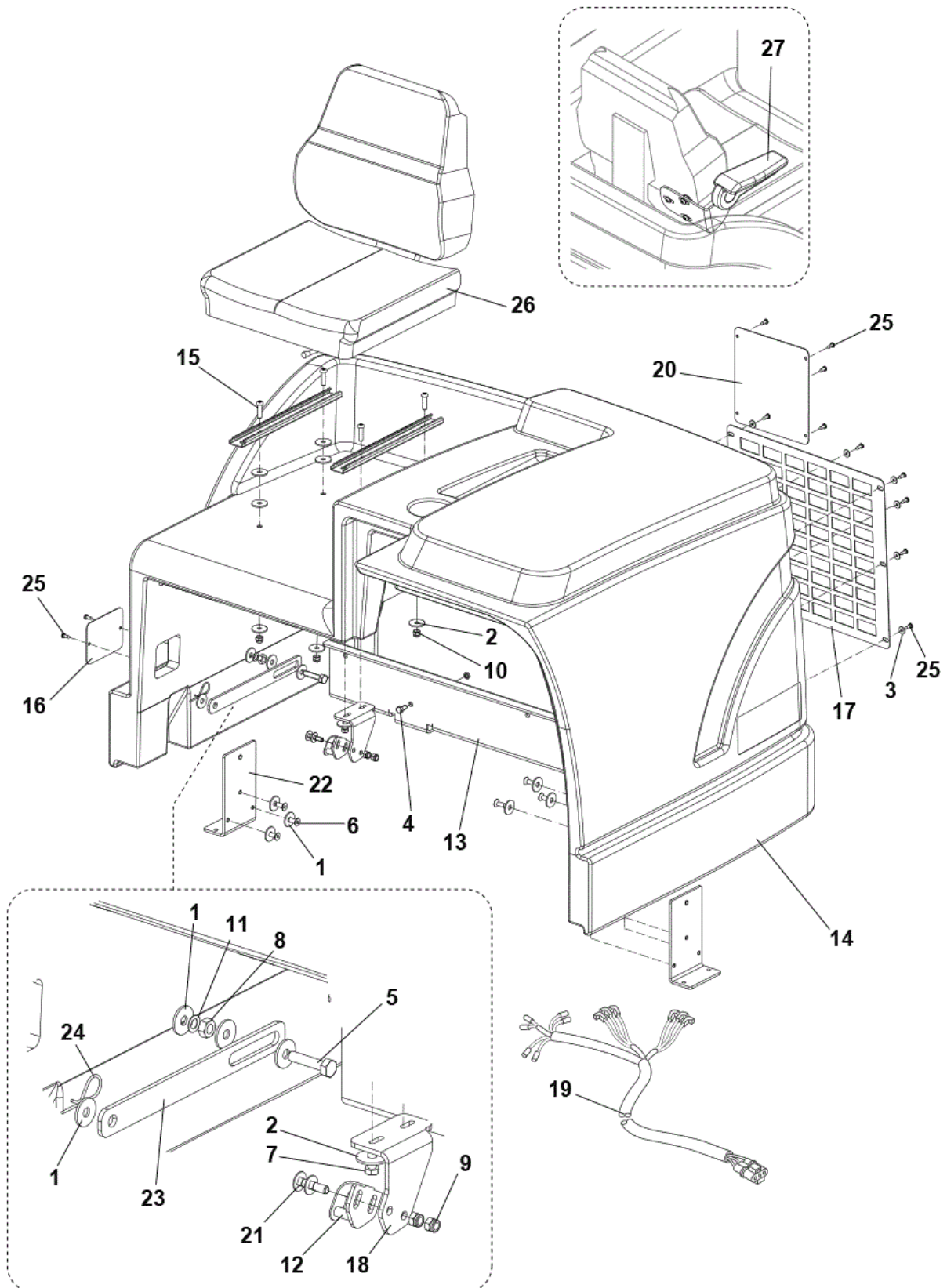
Pos.	Product no	QTY	Description	Notes
1	33023308	1	GAUGE 48V KIT	
2	33017223	1	GASKET PLATE	
3	33017375	1	DECAL CONTROL PANEL	
4	33017377	1	PLATE SWITCH PANEL BATTERY	
5	33018843	1	SWITCH SUCTION KIT	
6	33018844	1	SWITCH HORN KIT	
7	1467014000	1	KEY F STARTER SWITCH 2 PCS SET	
9	909 5836 000	1	COVER HOLE PLASTIC BLACK	
13	33017249	1	DECAL FUSES	
14	33017356	1	HARNES CONTROL PANEL BATTERY	
15	1466193000	1	RELAY TIMER 20 SECONDS SIP	
16	33017360	1	CIRCUIT BREAKER 16A	
17	33023236	2	CIRCUIT BREAKER 10A SIP	
18	33017381	1	GASKET F PLATE RELAYS SUPPORT	
19	1466194000	1	RELAY TIMER 0.5 SEC. SIP	
20	33017386	5	CAP RUBBER 3/8 F CIRCUIT BREAKER	
21	33017414	1	PLATE SWITCH PANEL	
22	1466196000	1	RELAY TIMER 0.5 SECONDS SIP	
23	33020276	1	CIRCUIT BREAKER 3A	
24	33020282	1	CIRCUIT BREAKER 5A	
26	33020442	1	SWITCH IGNITION STARTER W/SPARE KEY KIT	
27	909 6622 000	2	RELAY 24V 40A	
28	146 1646 000	1	RELAY 24V	
29	33017330	1	CONNECTOR CPL F SWITCH	

REAR COVER ASSY

SR 1601 B

2018.06.29

2018.06.29



REAR COVER ASSY

SR 1601 B

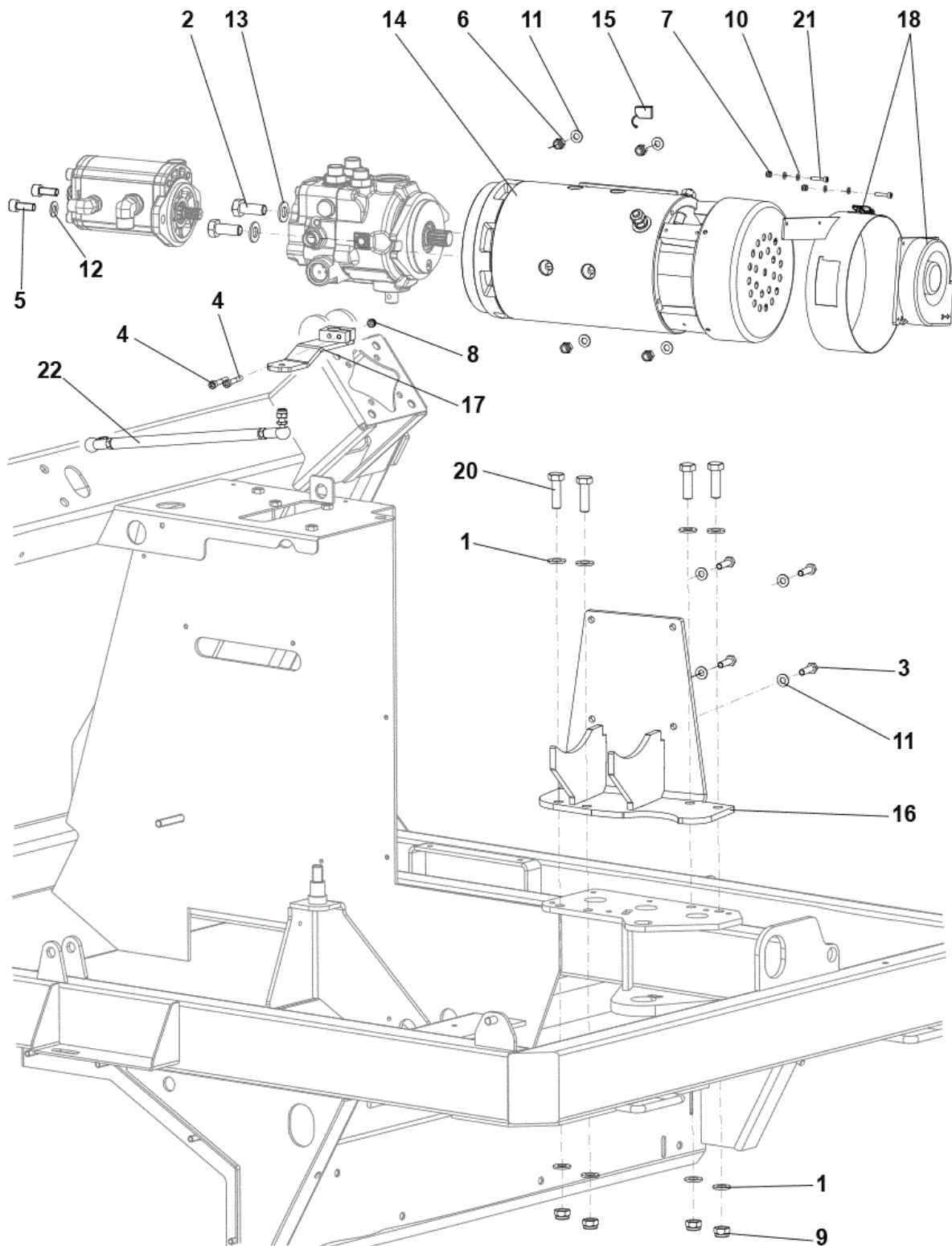
2018.06.29

2018.06.29

Pos.	Product no	QTY	Description	Notes
12	33017177	1	CATCH LATCH	
13	33017213	1	BRACKET HINGE MET. GREY	
14	33017230	1	COVER REAR ENGINE PLAST. GREY	
16	33017245	1	PLATE SIDE SMALL BATTERY	
17	33017247	1	GRILL REAR	
18	33017261	1	PLATE CATCH	
19	33017357	1	HARNES REAR COVER BATTERY	
20	33017368	1	PLATE SMALL BATTERY	
22	33018685	2	BRACKET FOR STOP COVER	
23	33018687	2	LEVER F STOP REAR BONNET	
26	1467028000	1	SEAT SIP	
27	33019556	1	ARMREST RT SEAT KIT	[1]
28	33019554	1	BELT SEAT KIT	[2]
29	33018862	1	BONNET BLOCK KIT	[3]
30	33019103	1	REINFORCEMENT BONNET KIT	[3]
31	33020340	1	HARDWARE REAR COVER KIT	[4]

Part Notes:

- [1] - OPTIONAL
- [2] - NOT SHOWN - OPTIONAL
- [3] - NOT SHOWN
- [4] - NOT SHOWN - POS. 1-2-3-4-5-6-7-8-9-10-11-15-21-24-25



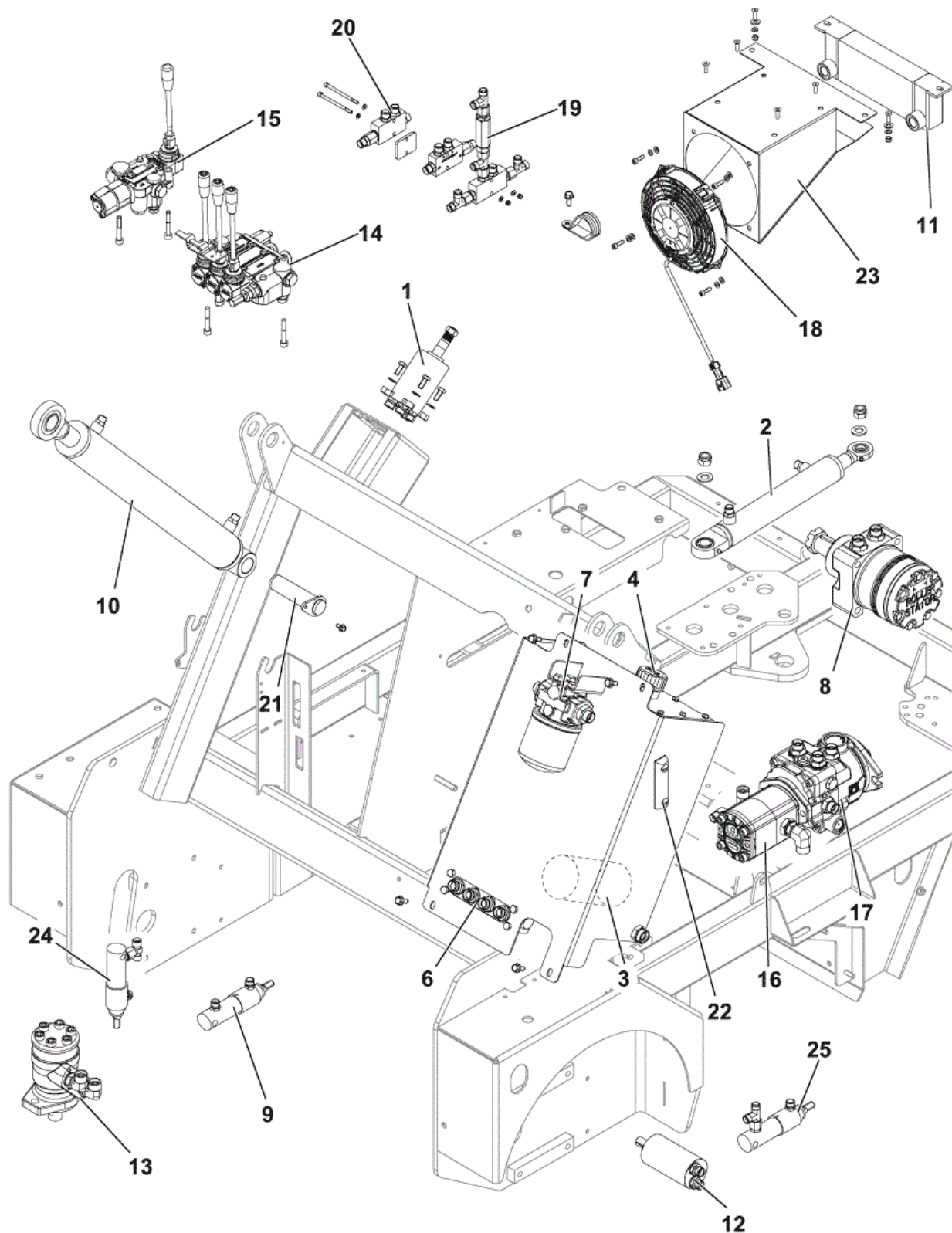
Resource notes:

POSITION 14. 33017260 IS GOING OUT OF STOCK IT WILL BE REPLACED BY POSITION 5. 33022549
POSITION 15 33019625 VALID FOR MOTOR 33017260 POSITION 15 33022548 VALID FOR MOTOR 33022549

Pos.	Product no	QTY	Description	Notes
14	33022549	1	MOTOR ELECTRIC AND CABLE EXTENSION KIT	
15	33022548	1	CARBON BRUSH 8 PCS SET	
15	33019625	1	CARBON BRUSH 4 PCS SET	[1]
16	33017364	1	SUPPORT MOTOR ELECTRIC 48V	[2]
16	33023028	1	SUPPORT MOTOR ELECTRIC 48V KIT	[3]
17	33017382	1	LEVER PUMP BATTERY	[4]
18	33023036	1	FAN COOLING MOTOR ELECTRIC KIT	[5]
22	33022170	1	CONNECTION PEDAL BATTERY KIT	[3]
23	33020450	1	HARDWARE ELECTRIC MOTOR KIT	[6]

Part Notes:

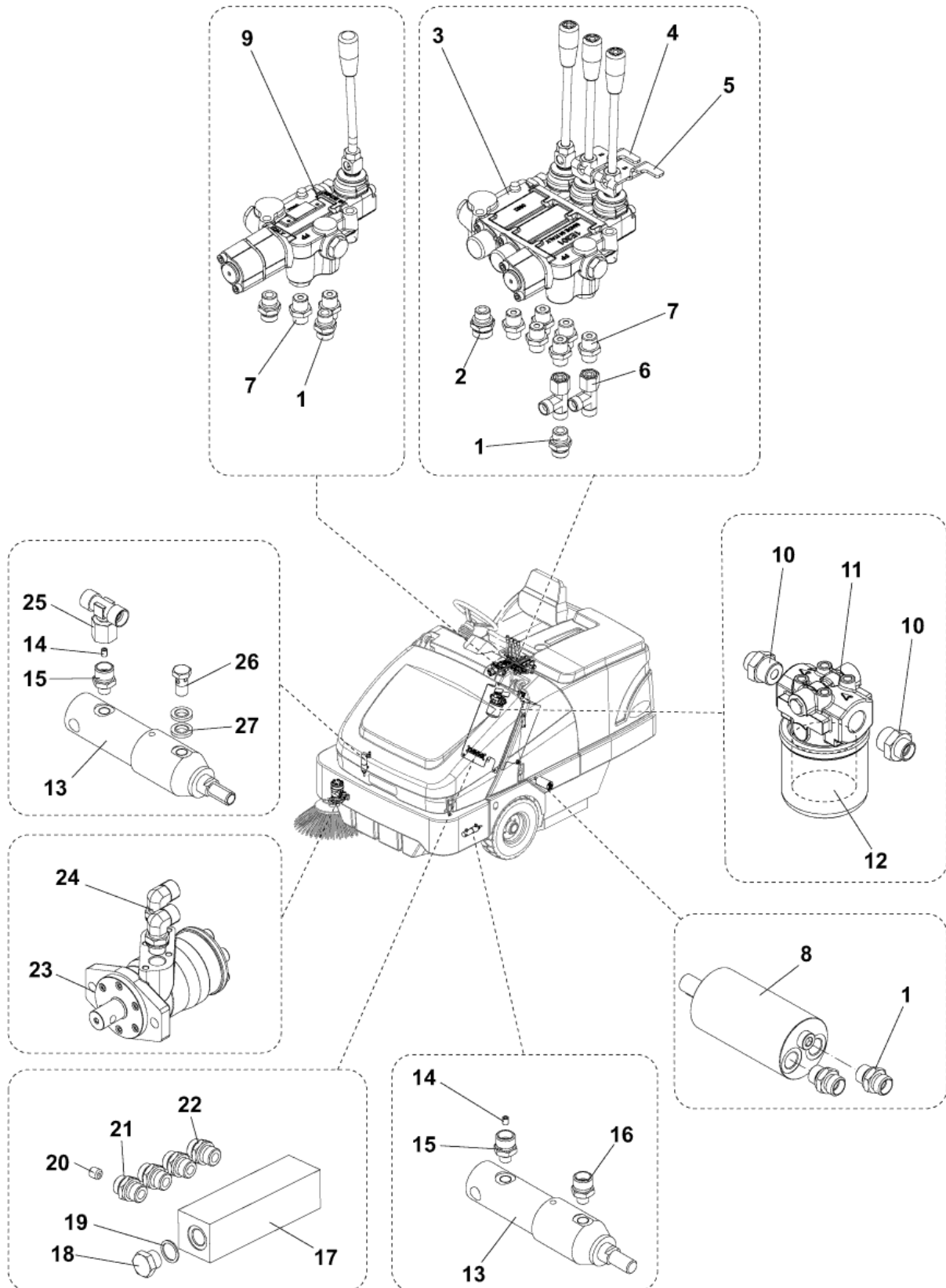
- [1] - STOCK COVERS GUARANTEE
- Only for motor Ref. No. 33017260
- [2] - NO LONGER AVAILABLE
- [3] - STARTING FROM S/N 3810114600047
- [4] - NO LONGER AVAILABLE
UNTILS/N 3810114600046
- [5] - NO LONGER AVAILABLE
- Only for motor Ref. No. 33017260
- [6] - NOT SHOWN - POS. 1-2-3-4-5-6-7-8-9-10-11-12-13-20-21



Pos.	Product no	QTY	Description	Notes
1	33022292	1	STEERING UNIT HYDROST.POWER 50CC SIP	[1]
1	33022286	1	STEERING UNIT HYDROST.POWER 50CC SIP	[2]
1	33022033	1	GASKET STEERING UNIT KIT	[3]
2	33018808	1	CYLINDER POWER STEERING KIT	[4]
3	33010199	1	FILTER HYDRAULIC OIL	
4	33011530	1	CAP BREATHER W/SPLASH GUARD 1 1/4	
6	33018809	1	TANK OIL KIT	[5]
7	33018810	1	FILTER PRESSURE KIT	[6]
8	33019737	1	MOTOR DRIVE KIT	[7]
9	33018802	1	MICRO CYLINDER KIT	[8]
10	33018811	1	CYLINDER LIFTING CONTAINER KIT	[9]
10	33021068	1	ADAPTER F CYLINDER W/JOINT KIT	[10]
11	33022413	1	RADIATOR OIL	
12	33023380	1	MOTOR HYDRAULIC F MAIN BROOM KIT	[11]
13	33018807	1	MOTOR SIDE BROOM KIT	[12]
14	33018812	1	DISTRIBUTOR 3 ELEMENTS KIT	[13]
15	33018815	1	DISTRIBUTOR 1 ELEMENT KIT	[14]
16	33023362	1	PUMP HYDRAULIC TWIN KIT	[15]
17	33023338	1	PUMP PISTON 19CC KIT	[16]
17	33023341	1	PUMP AND SUPPORT MOTOR KIT	[17]
17	33022094	1	GASKET FOR HYDRAULIC PUMP KIT P01	[18]
17	33023034	1	PINION F PUMP TRACTION P01 SIP	[18]
18	33020222	1	FAN AXIAL 48V	
19	33018817	1	CHECK VALVE 1/4 DUAL PILOT KIT	[19]
20	33018840	2	CHECK VALVE 1/4 SINGLE PILOT OPERAT. KIT	[20]
21	33020853	1	PIN HYDRAULIC CYLINDER PHOS.	
22	33011529	1	INDICATOR COLUMN OIL LEVEL M10	
23	33020265	1	CONVEYOR F AIR COOLER MET.	
24	33021767	1	SIDE BROOM RIGHT CYLINDER KIT	[21]
25	33021765	1	MAIN BROOM CYLINDER KIT	[22]
26	33020339	1	HARDWARE HYDRAULIC KIT	[23]
27	33015542	1	SHEATH 90 D56 BLACK L.500MM	[23]
28	33015544	1	SHEATH 90 D56 BLACK L.700MM	[23]

Part Notes:

- [1] - FOR MODEL NO. 13300103
- [2] - FOR MODEL NO. 13300149
- [3] - FOR PART NO. 33022292 - 33022286
- [4] - POS. 23-2 - See Hydraulic plant assy 3
- [5] - POS. 22-17-20-21-19-18 - See Hydraulic plant assy 2
- [6] - POS. 10-11 - See Hydraulic plant assy 2
- [7] - POS. 21-22 - See Hydraulic plant assy 3
- [8] - POS. 13-14-15-16 - See Hydraulic plant assy 2
- [9] - POS. 1-2-3-4-27 - See Hydraulic plant assy 3
- [10] - FOR PART NO. 33018811 - STARTING FROM S/N 103206080
- [11] - POS. 8-1 See Hydraulic plant assy 2
SEE INST. INSTR. 33023397
- [12] - POS. 23-24 - See Hydraulic plant assy 2
- [13] - POS. 2-3-4-5-6-7 - See Hydraulic plant assy 2
- [14] - POS. 1-7-9 - See Hydraulic plant assy 2
- [15] - POS. 17-18-19-20-25 - See Hydraulic plant assy 3
- [16] - POS. 22-24-26 - See Hydraulic plant assy 3
- [17] - FOR MACHINE UNTIL S/N 3810114600047 - SEE INST. INTR. 33023030- SEE TSB-FC 2014-004
- [18] - FOR PART NO. 33022111
- [19] - POS. 6-12-13-14-15-16 - Hydraulic plant assy 3
- [20] - POS. 10-2 - Hydraulic plant assy 3
- [21] - POS. 13-14-15-25-26-27 - Hydraulic plant assy 2
- [22] - POS. 5-6-7-8-9 - Hydraulic plant assy 3
- [23] - NOT SHOWN



HYDRAULIC PLAN ASSY 2

SR 1601 B

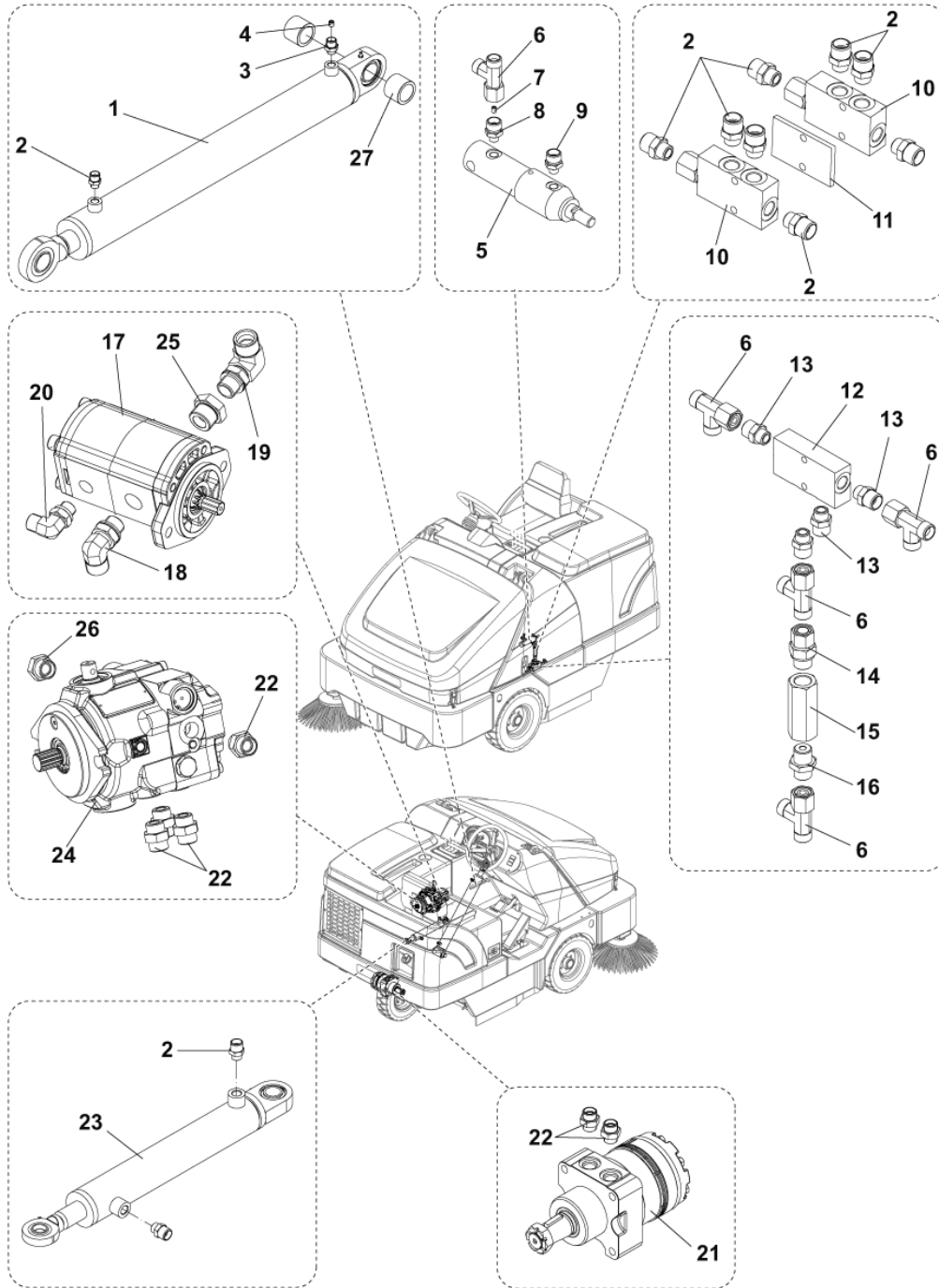
2017.11.02

2018.08.09

Pos.	Product no	QTY	Description	Notes
1	33015917	5	FITTING M/M 3/8 BSP-12L	
2	33016018	1	FITTING M/M 3/8 BSP-15L	
3	33017052	1	DISTRIBUTOR	
4	33017752	1	BRACKET SECOND LEVER MANIFOLD	
5	33017753	1	BRACKET THIRD LEVER MANIFOLD	
6	145 5163 000	2	PIPE FITTING	
7	146 0505 000	8	PIPE FITTING 3/8 D.10	
8	33023380	1	MOTOR HYDRAULIC F MAIN BROOM KIT	[1]
8	33020765	1	GASKET HYDRAULIC PUMP KIT	[2]
8	33023043	1	GASKET HYDRAULIC PUMP KIT	[3]
9	33017676	1	DISTRIBUTOR	
10	33023712	2	FITTING M/M 3/4-M22X1.5 SIP	
11	33017431	1	FILTER OIL CPL	
12	33017595	1	CARTRIDGE OIL FILTER	
13	33021255	2	CYLINDER 25/16 50	
13	33022009	1	GASKET MICRO CYLINDER 16/25/50 KIT	[4]
14	33018215	2	DOWEL CALIBRATED M5X6 D. 0.5	
15	33018222	2	FITTING M/M 1/8-M16X1.5 REW.	
16	33018375	1	FITTING M/M 1/8-M16X1.5	
17	33017432	1	BLOCK HYD. HOSES	
18	33011456	1	PLUG HEX HD 1/2 CYL.	
19	1466786000	1	GASKET COPPER 1/2 10 PCS SET	
20	33018675	1	DOWEL M12 DIAM 4	
21	33018676	1	FITTING M/M 1/2-M22X1.5	
22	33015757	3	FITTING MALE 1/2 - M15L	
23	33017003	1	MOTOR HYDRAULIC 160CC	
23	33020754	1	GASKETS HYDRAULIC MOT.KIT	[5]
24	33015874	2	ELBOW 90 M1/2	
25	146 0507 000	1	FITTING T M16X1.5 SWIVEL NUT	
26	1467015000	1	BANJO BOLT 1/8 L.22 SPEC. 2 PCS SET	
27	1467004000	1	SEAL BONDED 1/8 10 PCS SET	

Part Notes:

- [1] - STARTING FROM S.N. 103206080
SEE INST. INSTR. 33023397
- [2] - For Item 33023380 - STARTING FROM S.N. 103206080
SEE INST. INSTR. 33023397
- [3] - For Item 33023044 (WHITE) - STARTING FROM S.N. 091508810
- [4] - For Item 33021255
- [5] - For Item 33017003



HYDRAULIC PLAN ASSY 3

SR 1601 B

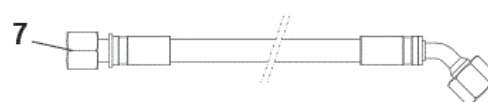
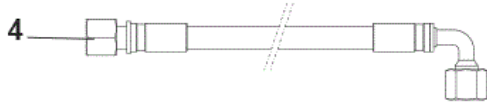
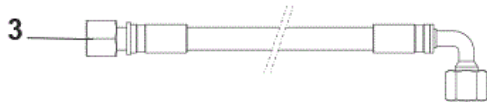
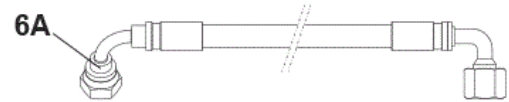
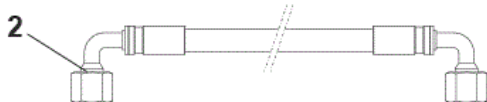
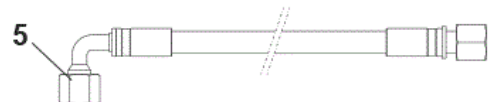
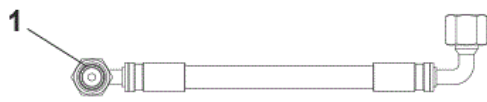
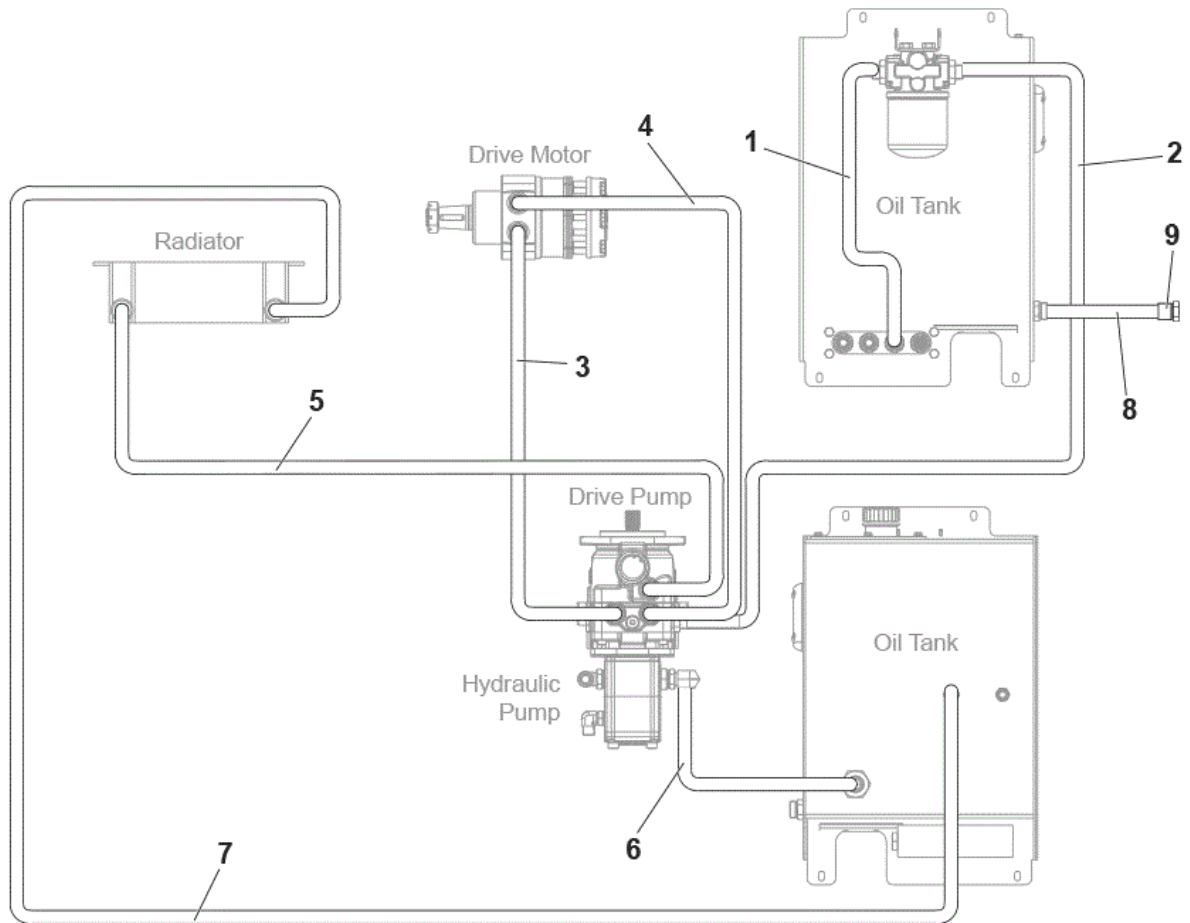
2017.11.02

2018.10.04

Pos.	Product no	QTY	Description	Notes
1	33021257	1	CYLINDER HOPPER LIFT	
1	33011777	1	GASKET KIT	[1]
2	33023175	11	PIPE FITTING 1/4 D.10 SIP	
3	33023872	1	FITTING MALE STUD OR M1/4 KIT	
4	33019272	1	DOWEL CALIBRATED M8X8 D.1	
5	33022009	1	GASKET MICRO CYLINDER 16/25/50 KIT	
5	33021255	1	CYLINDER 25/16 50	
6	145 5163 000	5	PIPE FITTING	
7	33018215	1	DOWEL CALIBRATED M5X6 D. 0.5	
8	33018222	1	FITTING M/M 1/8-M16X1.5 REW.	
9	33018375	1	FITTING M/M 1/8-M16X1.5	
10	33023300	2	CHECK VALVE 1/4 SINGLE PILOT OPERAT. SIP	
11	33019712	1	PLATE VALVES GALV.	
12	33010486	1	CHECK VALVE 1/4 DUAL PILOT OPERATED	
13	33023175	4	PIPE FITTING 1/4 D.10 SIP	
14	33018220	1	FITTING M/F.GIR 3/8 - 10L	
15	33010481	1	CHECK VALVE FF 3/8 VU-G3/8	
16	146 0505 000	1	PIPE FITTING 3/8 D.10	
17	33023362	1	PUMP HYDRAULIC TWIN KIT	
17	33020755	1	GASKETS HYDRAULIC MOT.KIT	[2]
18	33015874	1	ELBOW 90 M1/2	
19	33016362	1	ELBOW	[3]
19	33022395	1	FITTING 90 M3/4-M3/4 BSP ADJ.	[4]
20	33017808	1	FITTING ELBOW M3/8 ADJ BSP M12L	
21	33017436	1	MOTOR DRIVE BATTERY MACHINE	
21	33020753	1	GASKETS HYDRAULIC MOT.KIT	[5]
22	33015757	5	FITTING MALE 1/2 - M15L	
23	33021256	1	CYLINDER 40/25 205	
23	33011774	1	GASKET KIT CYL FLAP/SIDE	[6]
24	33010508	1	FITTING QUICK 1/4	
25	145 8867 000	1	CAP 3/4 -1/2 MF	[7]
25	33022396	1	FITTING 90 M3/4-F3/4 BSP ADJ.	[8]
26	33022090	1	WRENCH 14	
27	33020812	2	SPACER D.30X40 H.30.5 PLAST.	

Part Notes:

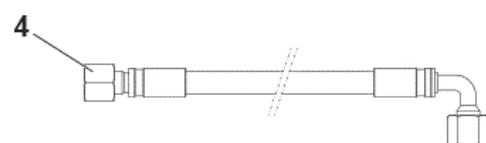
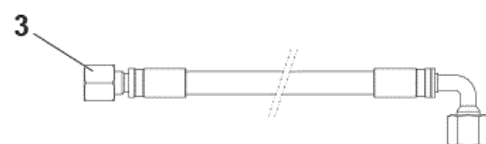
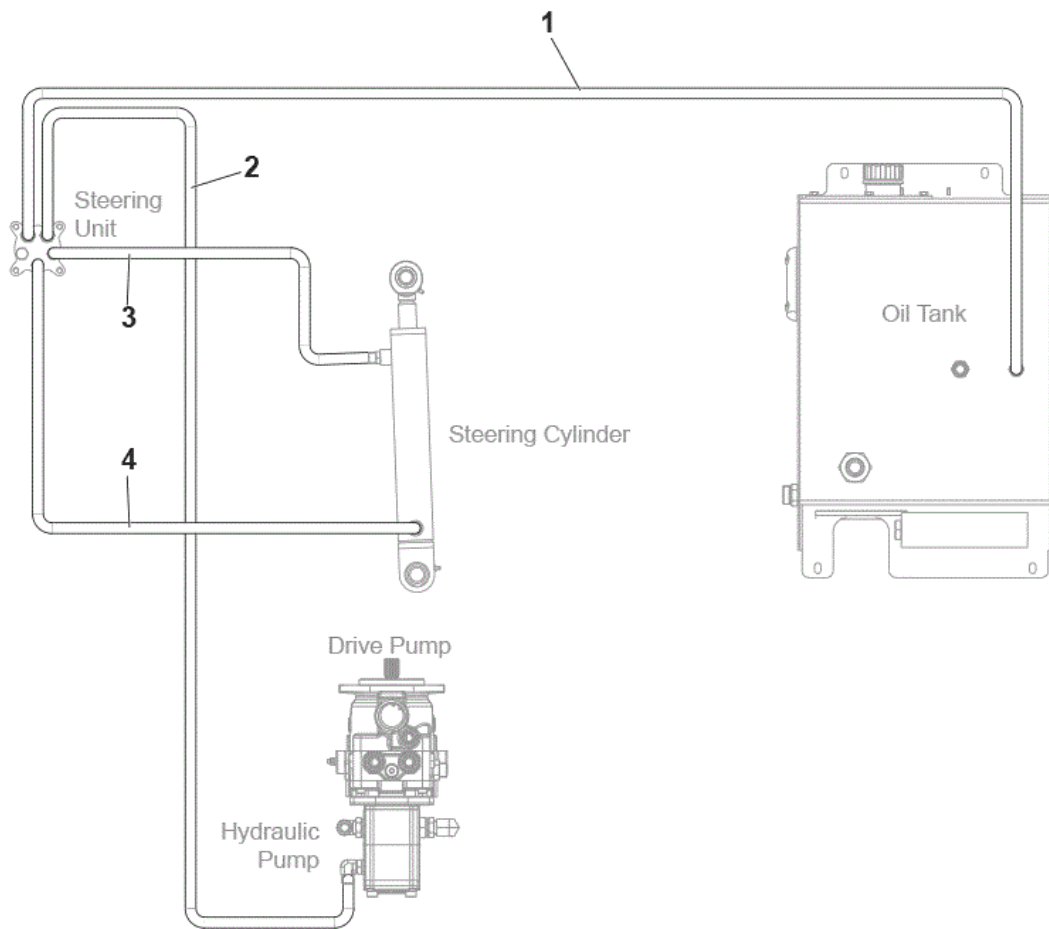
- [1] - For Item 33021257
- [2] - For Item 33020224
- [3] - NO LONGER AVAILABLE
FOR MACHINE NO. 13300149 - UNTIL S/N 3010123600008
- [4] - FOR MACHINE NO. 13300149 - STARTING FROM S/N 3010123600009
- [5] - For Item 33017436
- [6] - For Item 33015757
- [7] - STOCK COVERS GUARANTEE
FOR MACHINE NO. 13300149 - UNTILS/N 3010123600008
- [8] - FOR MACHINE NO. 13300149 - STARTING FROMS/N 3010123600009



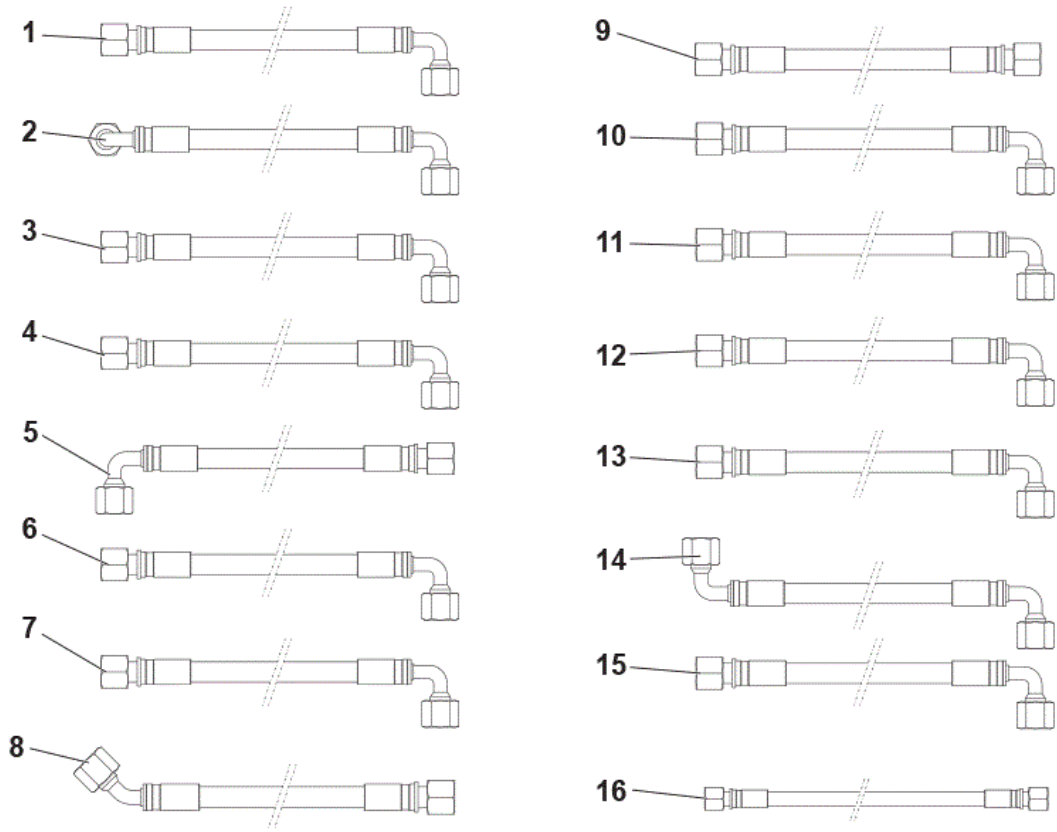
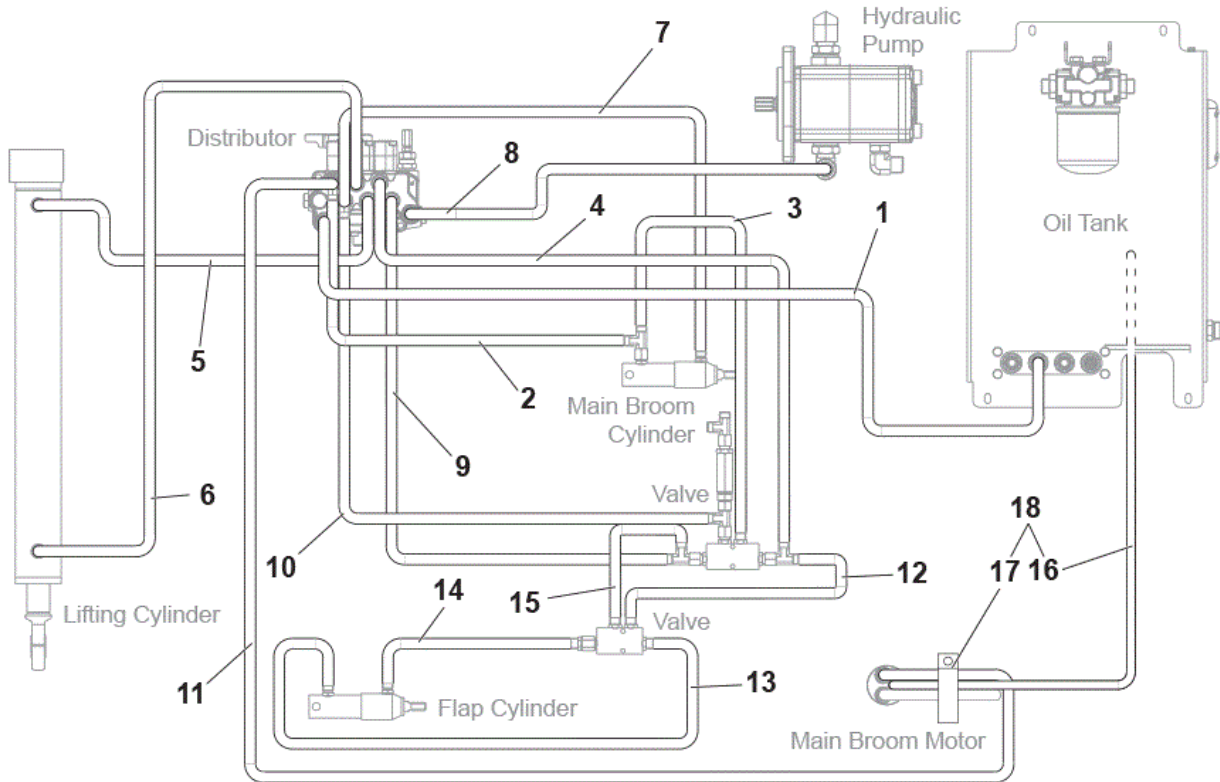
Pos.	Product no	QTY	Description	Notes
1	33017649	1	HOSE HYDRAULIC 1/2 L 450	
2	33018632	1	HOSE HYDRAULIC 1/2 L 1500	
3	33023254	1	HOSE HYDR. 1/2 R16 L.1430MM W/SHEATH SIP	[1]
4	33023253	1	HOSE HYDR. 1/2 R16 L.1470MM W/SHEATH SIP	[1]
5	33019639	1	HOSE HYDRAULIC 1/2 L 1120	
6A	33017651	1	HOSE HYDRAULIC 3/4 L 900	[2]
6B	33022399	1	HOSE HYDRAULIC R1AT 3/4 L 840	[3]
7	33019640	1	HOSE HYDRAULIC 1/2 L 1115	
8	33017620	1	HOSE HYDRAULIC 1/2 L. 660	
9	33011456	1	PLUG HEX HD 1/2 CYL.	

Part Notes:

- [1] - FOR MODEL NO. 13300149 - UNTIL S/N 3810123600008
- [2] - GUARANTEE DATE EXPIRED
- [3] - FOR MODEL NO. 13300149 - UNTIL S/N 3810123600008
- [3] - FOR MODEL NO. 13300149 - STARTING FROM S/N 3810123600009



Pos.	Product no	QTY	Description	Notes
1	33020136	1	HOSE HYDRAULIC 3/8 L 1200	
2	33020137	1	HOSE HYDRAULIC 3/8 L 1380	
3	33017622	1	HOSE HYDRAULIC 1/4 L 1320	
4	33017625	1	HOSE HYDRAULIC 1/4 L 1150	



FLAP AND HOPPER SCHEME

SR 1601 B

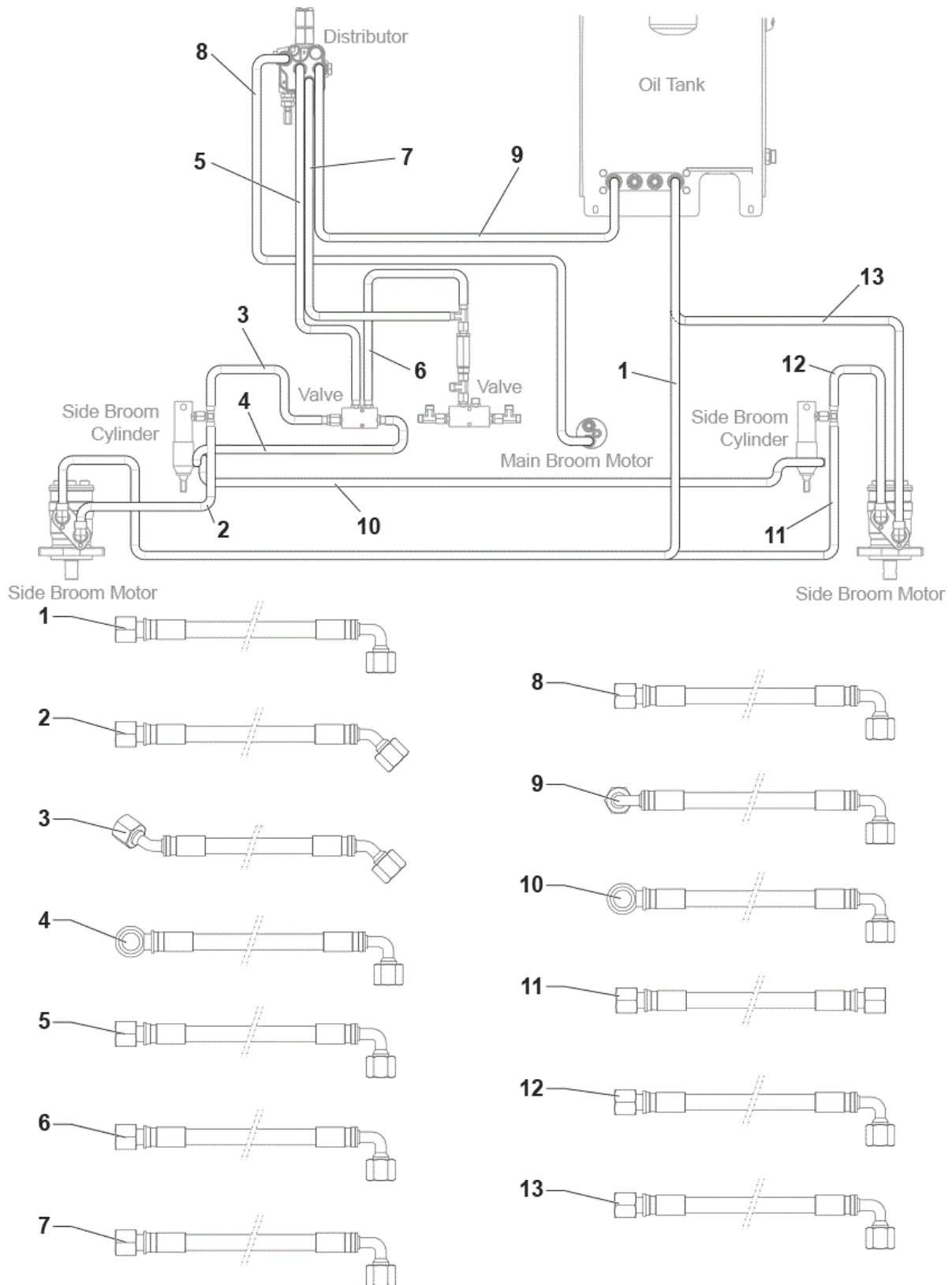
2018.07.02

2018.07.02

Pos.	Product no	QTY	Description	Notes
1	33017650	1	HOSE HYDRAULIC 1/2 L 1050	
2	33017635	1	HOSE HYDRAULIC 1/4 L 1580	
3	33017634	1	HOSE HYDRAULIC 1/4 L 500	
4	33017628	1	HOSE HYDRAULIC 1/4 L 1100	
5	33017652	1	HOSE HYDRAULIC 1/4 L 650	
6	33017627	1	HOSE HYDRAULIC 1/4 L 460	
7	33017632	1	HOSE HYDRAULIC 1/4 L 1650	
8	33020284	1	HOSE HYDRAULIC 1/2 L 340	
9	33017653	1	HOSE HYDRAULIC 1/4 L 1500	
10	33017633	1	HOSE HYDRAULIC 1/4 L 1390	
11	33017655	1	HOSE HYDRAULIC 3/8 L.1400	
12	33019714	1	HOSE HYDRAULIC 1/4 L 450	
13	33017638	1	HOSE HYDRAULIC 1/4 L 2790	
14	33017647	1	HOSE HYDRAULIC 1/4 L 2320	
15	33019713	1	HOSE HYDRAULIC 1/4 L 450	
16	33023475	1	DRAIN HOSE KIT	
17	33023476	1	PLATE F HOSES KIT	
18	33023474	1	DRAIN HOSE 1/4 F MAIN BROOM CPL KIT	[1]

Part Notes:

[1] - SEE INST. INSTR. 33023478



SIDE BROOM SCHEME

SR 1601 B

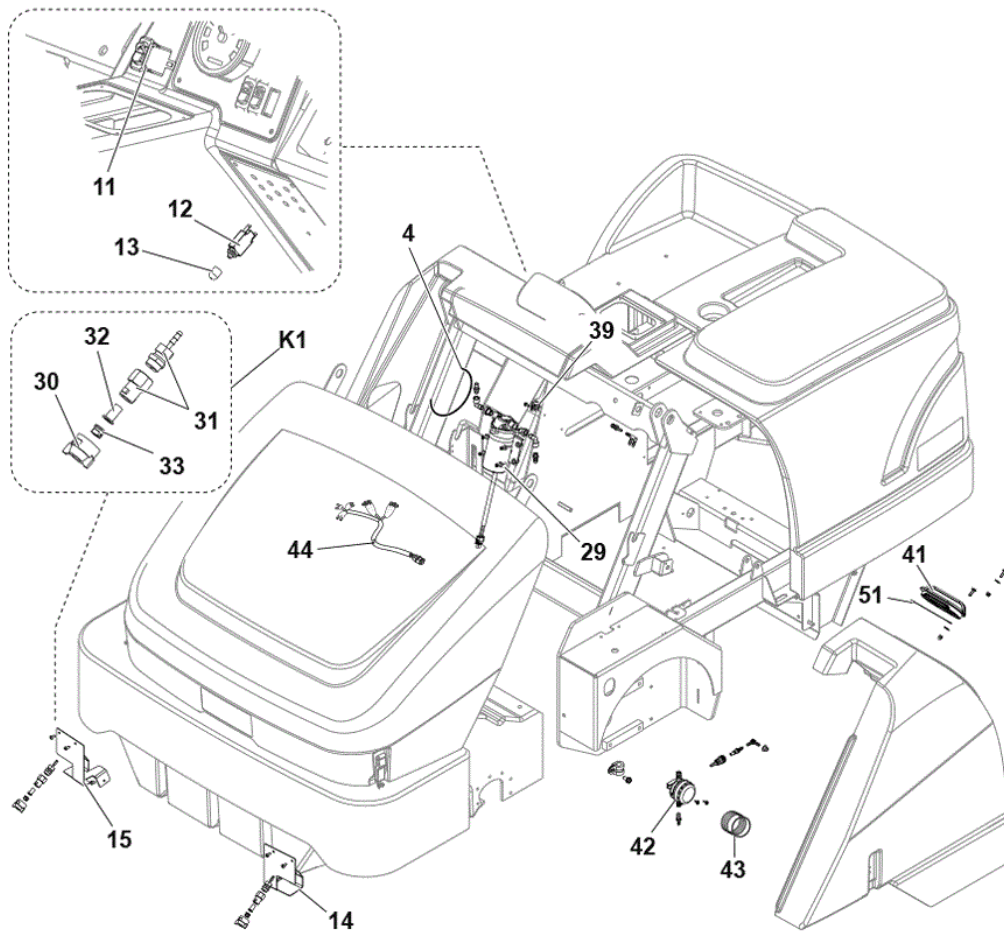
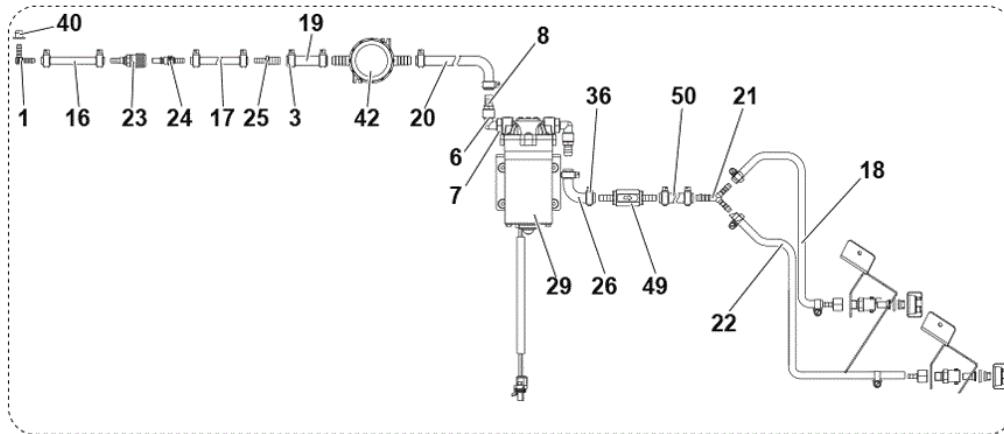
2017.11.02

2016.10.17

Pos.	Product no	QTY	Description	Notes
1	33018689	1	HOSE HYDRAULIC 1/2 L 2900	[1]
2	33017640	1	HOSE HYDRAULIC 3/8 L 625	
3	33017654	1	HOSE HYDRAULIC 1/4 L 2800	
4	33017643	1	HOSE HYDRAULIC 1/4 L 3400	
5	33017646	1	HOSE HYDRAULIC 1/4 L 1460	
6	33017637	1	HOSE HYDRAULIC 1/4 L 360	
7	33017639	1	HOSE HYDRAULIC 1/4 L 1620	
8	33017631	1	HOSE HYDRAULIC 3/8 L 1520	
9	33017648	1	HOSE HYDRAULIC 1/2 L 740	
10	33017644	1	HOSE HYDRAULIC 1/4 L 2500	[2]
11	33017629	1	HOSE HYDRAULIC 3/8 L 2900	[2]
12	33017642	1	HOSE HYDRAULIC 3/8 L 626	[2]
13	33017645	1	HOSE HYDRAULIC 1/2 L 2170	[2]

Part Notes:

- [1] - ONLY FOR MACHINE WITH ONE SIDE BROOM
- [2] - ONLY FOR MACHINE WITH TWO SIDE BROOM



ACCESSORIES - 1

SR 1601 B

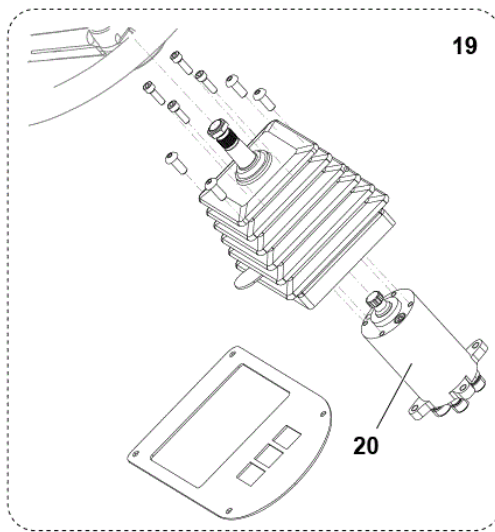
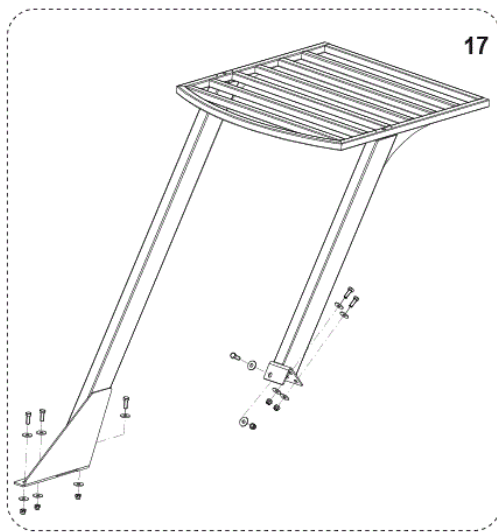
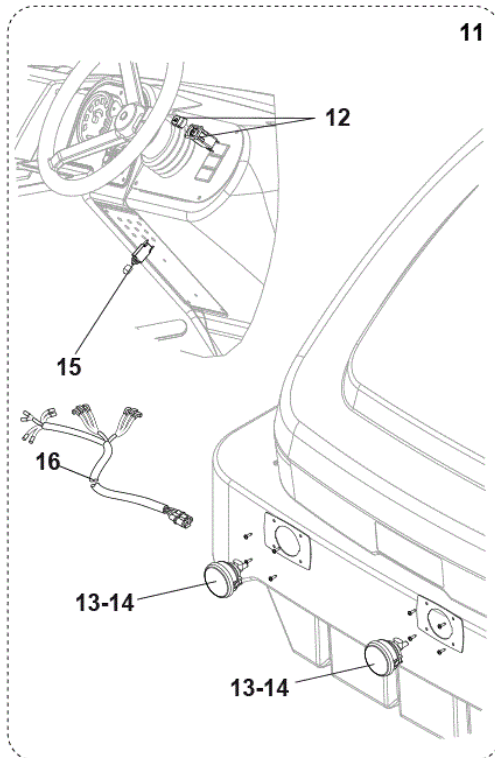
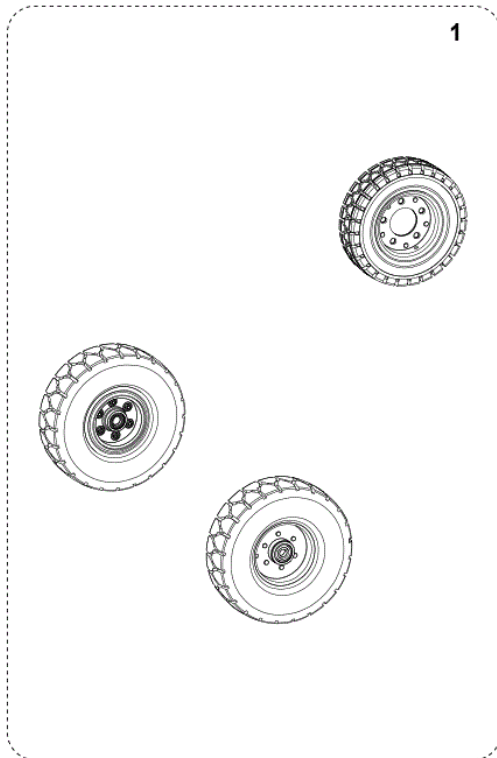
2018.07.05

2018.07.05

Pos.	Product no	QTY	Description	Notes
1	33020824	1	BARB HOSE 90 D.8 PLAST.	
6	33011224	2	FITTING 90 M-F 1/4	
7	33011494	2	REDUCTION GEAR MF 3/8 1	
8	33011522	2	BARB HOSE STRAIGHT 1/4 D.10.5 MET.	
11	33019325	1	SWITCH WATER FLUSHING KIT	
12	33019709	1	CIRCUIT BREAKER 2A	
13	33017386	1	CAP RUBBER 3/8 F CIRCUIT BREAKER	
14	33017927	1	BRACKET LEFT SIDE	
15	33017928	1	BRACKET RIGHT SIDE	
21	1467179000	1	ELBOW Y D.6-8-6 2 PCS SET	
23	1465915000	1	CONNECTOR FEMALE	
24	1465916000	1	CONNECTOR MALE	
25	1467180000	2	FITTING STRAIGHT REDUCER 4 PCS SET	
29	33019726	1	PUMP WATER 24V KIT	
30	1467248000	2	RING NUT QUICK COUPLING SIP	
31	33020865	2	ADAPTER SPRAY KIT	
32	1467245000	1	CHECK VALVE FILTER SIP	
33	1467246000	2	NOZZLE SPRAY D.0.33 SS SIP	
33	1467247000	1	NOZZLE SPRAY D.0.53 BRASS SIP	
36	33023593	4	CLAMP HOSE 8-16/9 DIN3017 2 PCS SET	
40	909 6089 000	1	GROMMET D.18 TYPE P WS6	
41	9097385000	1	CAP SOLUTION TANK PLAST.	
42	9100000860	1	FILTER WATER SIP	
43	9100000861	1	NET WATER FILTER REINFORCED SIP	
44	33019249	1	HARNES MISTING SYSTEM	
49	33021303	1	CHECK VALVE D.10 KIT	[1]
50	33022092	1	HOSE POLYESTER REINF. D.10 L.900MM SIP	
51	9097485000	1	CABLE OPENING CAP	
K1	33019324	2	NOZZLE SPRAY KIT	[2]
K2	33019326	1	HOSES AND FITTINGS MISTING SYST.KIT	[3]
K3	33019377	1	PRE MISTING SYST. 48V KIT	[4]

Part Notes:

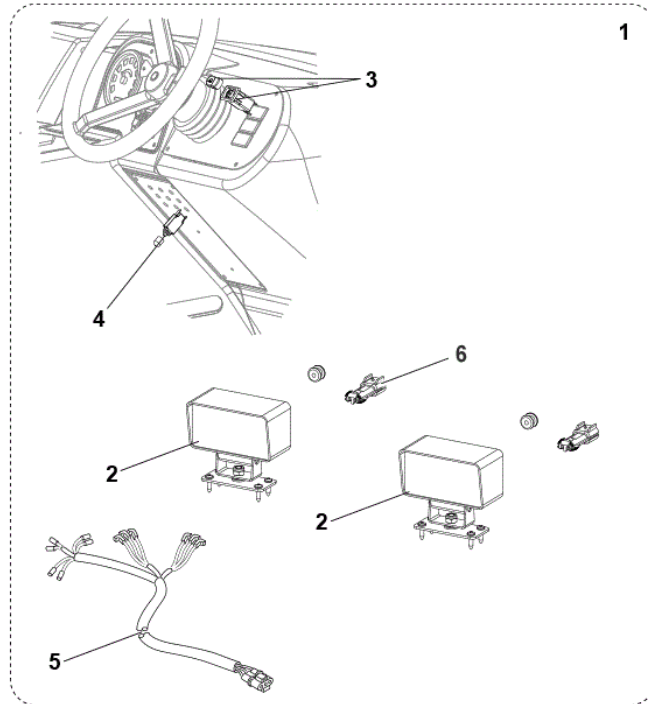
- [1] - SEE INST.INSTR. 33021304
- [2] - POS. 30-31-32-33
- [3] - NOT SHOWN - POS. 1-3-4-6-7-8-16-17-18-19-20-21-22-23-24-25-26-39-40
- [4] - NOT SHOWN - OPTIONAL - SEE INST.INSTR. 33019375



Pos.	Product no	QTY	Description	Notes
1	33019172	1	WHEELS SOLID NO MARKING KIT	[1]
11	33023231	1	LIGHT FRONT 48V KIT	[2]
12	33019736	1	SWITCH FRONT LIGHT KIT	
13	1466356000	2	LIGHT WORK 24V CPL SIP	[3]
14	1466358000	2	BULB LIGHT 24V 70W H3 SIP	[3]
15	33023236	1	CIRCUIT BREAKER 10A SIP	
16	33019220	1	HARNES FRONT HEADLIGHT 24 V	
17	33019171	1	GUARD OVERHEAD KIT	[4]
19	33019174	1	STEERING ADJUSTABLE KIT	[5]
20	33022286	1	STEERING UNIT HYDROST.POWER 50CC SIP	
20	33022033	1	GASKET STEERING UNIT KIT	[6]
21	56507038	1	AMBER STROBE NO OHG	[7]
22	33022681	1	HARDWARE BEACON KIT	[8]

Part Notes:

- [1] - OPTIONAL
- [2] - OPTIONAL - SEE INST. INSTR. 33023228
- [3] - FOR KIT 33023231, 33023240
- [4] - OPTIONAL - SEE INST.INSTR. 33020629
- [5] - OPTIONAL - SEE INST.INSTR. 33019157
- [6] - For Item 33022286
- [7] - NOT SHOWN -OPTIONAL - INST. INSTR. 56040898
- [8] - NOT SHOWN



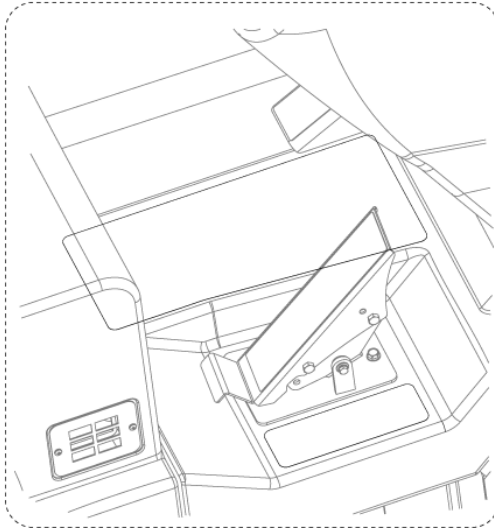
Pos.	Product no	QTY	Description	Notes
1	33023681	1	LIGHT FRONT LED 48V KIT	[1]
2	33023717	2	LIGHT WORK LED 10-30V 18W KIT	[2]
3	33019736	1	SWITCH FRONT LIGHT KIT	
4	33023236	1	CIRCUIT BREAKER 10A SIP	
5	33019220	1	HARNESS FRONT HEADLIGHT 24 V	
6	1467754000	2	CONNECTOR 2 WAYS KIT	

Part Notes:

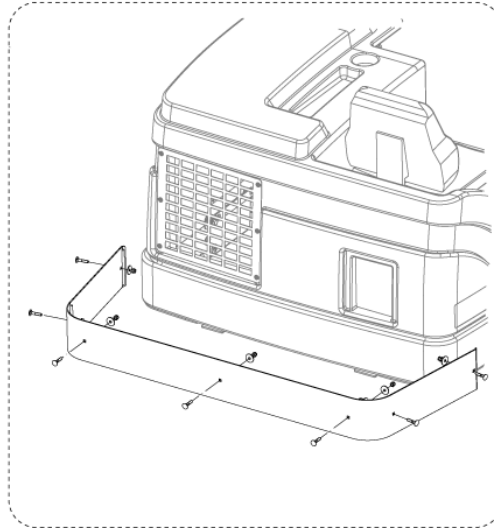
- [1] - NEVER LAUNCHED
OPTIONAL - SEE INST. INSTR. 33023683
- [2] - SEE PI 2017-002

DE TSB-FC-2017-065 SR1601 Neue Scheinwerfer vorne

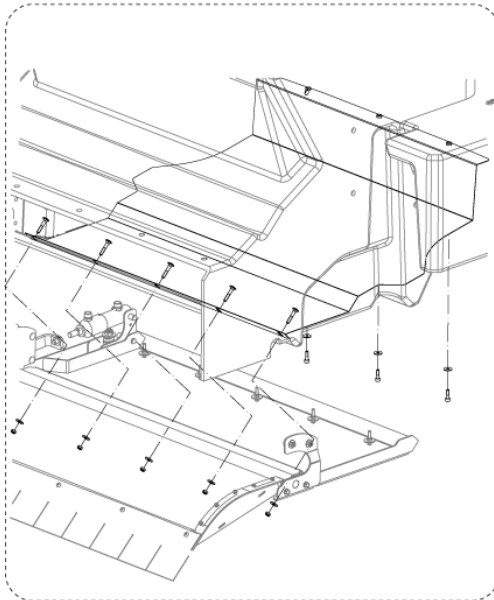
TSB-FC-2017-065 SR1601 new headlight



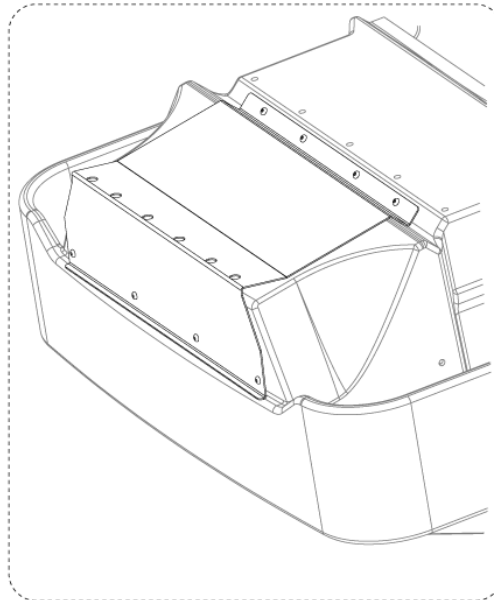
1



3



5

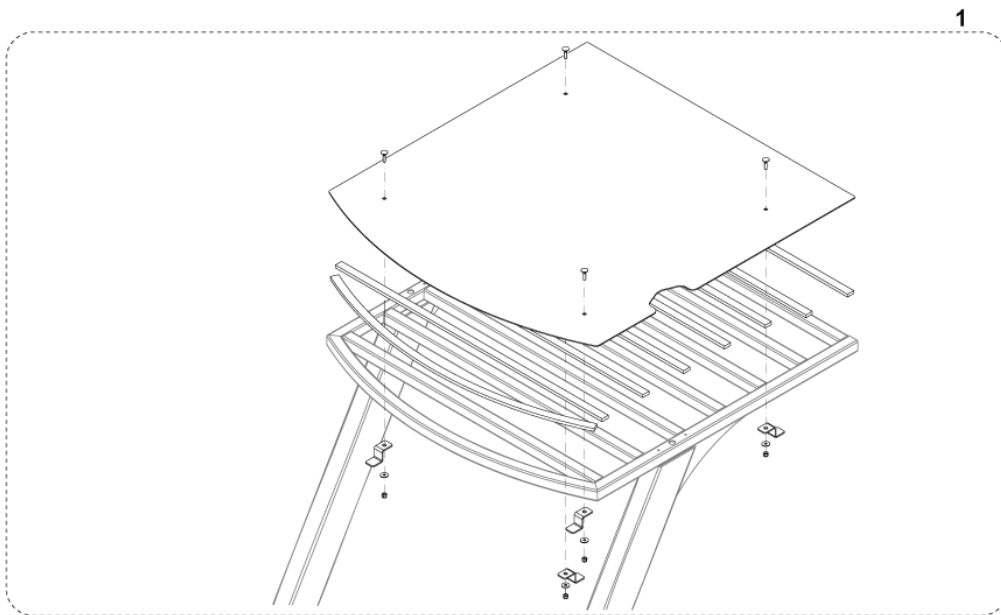
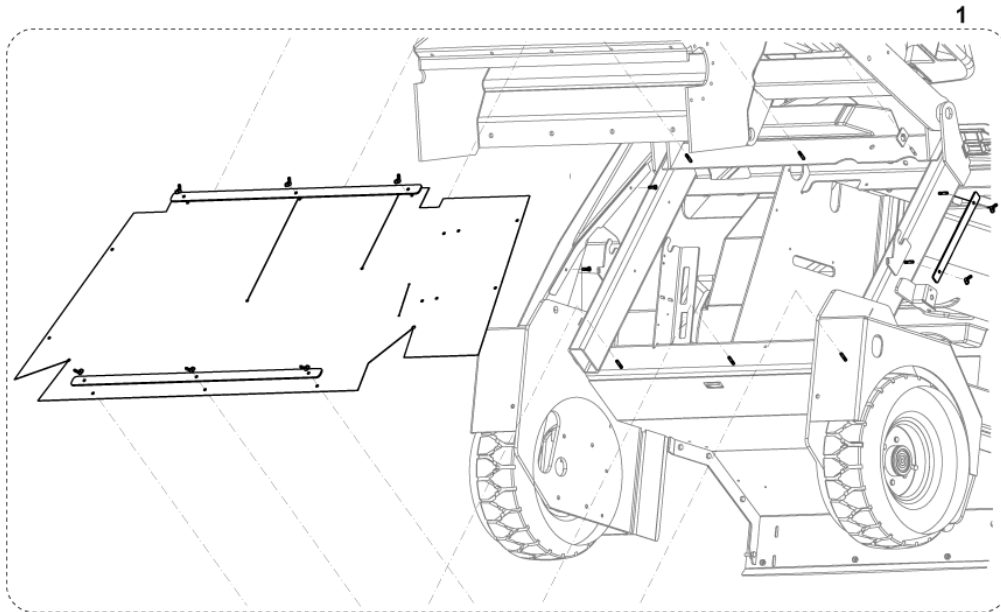


7

Pos.	Product no	QTY	Description	Notes
1	33019570	1	MAT FLOOR KIT	[1]
3	33019572	1	GUARD REAR BUMPER KIT	[2]
5	33019573	1	METAL LINER HOPPER KIT	[3]
7	33021392	1	HOPPER PROTECTION KIT	[4]

Part Notes:

- [1] - OPTIONAL - SEE INST. INSTR. 33019195
- [2] - OPTIONAL - SEE INST. INSTR. 33019205
- [3] - OPTIONAL - SEE INST. INSTR. 33019207
- [4] - OPTIONAL - SEE INST. INSTR. 33021393

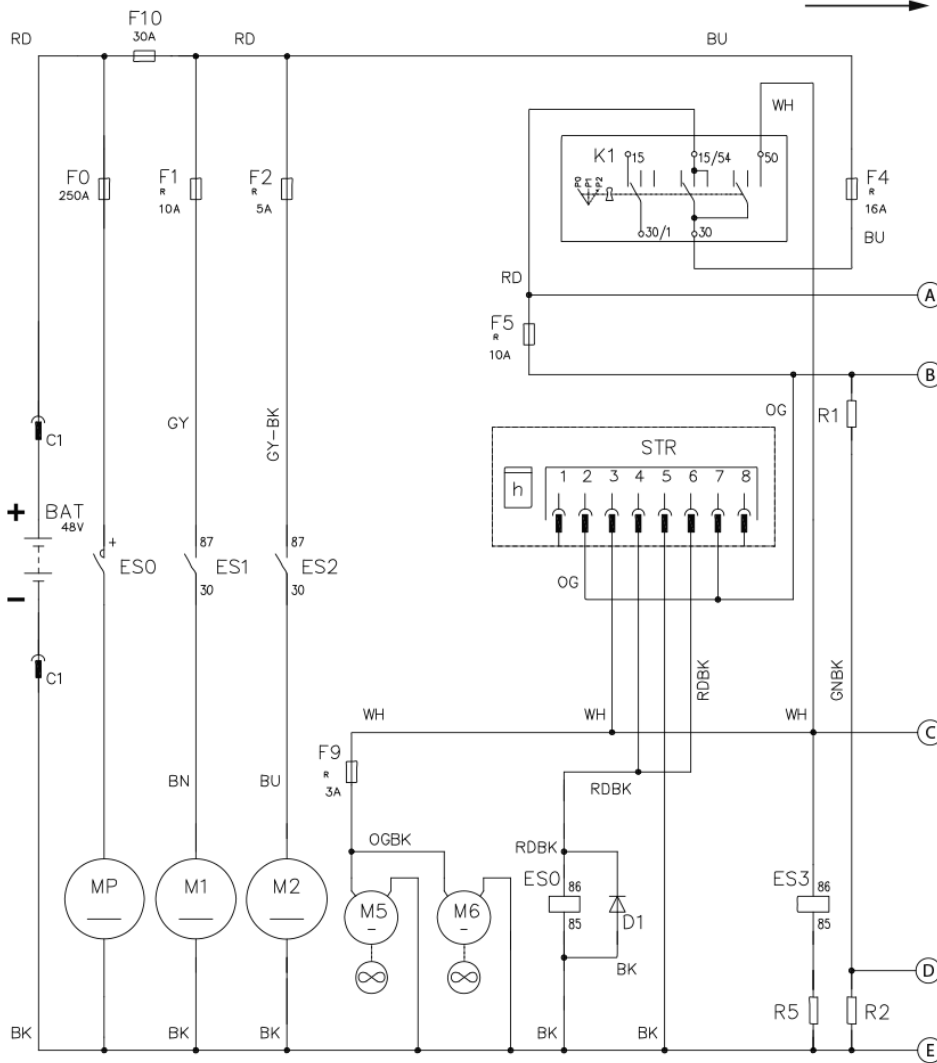


Pos.	Product no	QTY	Description	Notes
1	33020372	1	HOPPER DUST FLAP KIT	[1]
2	33020052	1	CANOPY KIT	[2]
3	33021975	1	GAS SPRING KIT	[3]

Part Notes:

- [1] - OPTIONAL - SEE INST.INSTR. 33020373
- [2] - OPTIONAL - SEE INST.INSTR. 33020051
- [3] - NOT SHOWN - OPTIONAL - SEE INST. INSTR. 33021977

PAGE 2 →



WIRING DIAGRAM BATTERY - 1

SR 1601 B

2018.07.06

2018.07.11

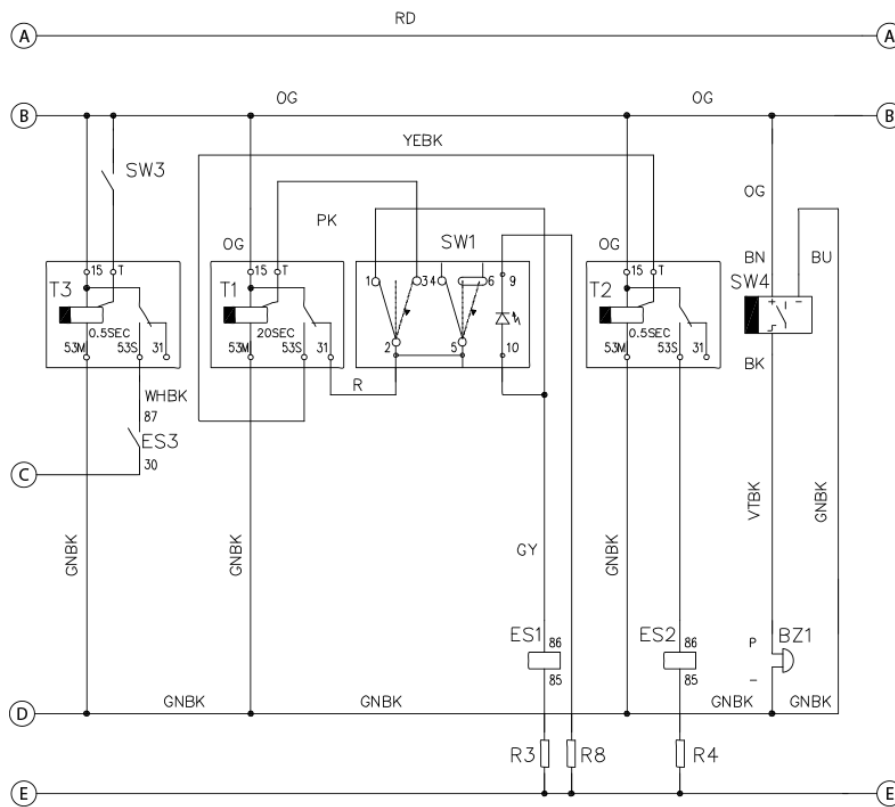
Pos.	Product no	QTY	Description	Notes
BAT	80562010		BATT.48V-375AH WET 2 TRAY W/BFS	
BE1	56510893		BEACON-WARNING LED	
BZ1	33022643		BUZZER REVERSE GEAR BATTERY KIT	
C1	33023729		CONNECTOR 320A BLUE SIP	
ES0	33017449		CONTACTOR UNIPOLAR 48V	
ES1	909 6622 000		RELAY 24V 40A	
ES2	909 6622 000		RELAY 24V 40A	
ES3	146 1646 000		RELAY 24V	
F0	33008583		POWER FUSE 250A	
F1	33023236		CIRCUIT BREAKER 10A SIP	
F2	33020282		CIRCUIT BREAKER 5A	
F3	33019709		CIRCUIT BREAKER 2A	
F4	33017360		CIRCUIT BREAKER 16A	
F5	33023236		CIRCUIT BREAKER 10A SIP	
F6	33023236		CIRCUIT BREAKER 10A SIP	
F8	33023236		CIRCUIT BREAKER 10A SIP	
F10	909 5101 000		FUSE BLADE 30A	
HN	33009017		HORN 48V 112DB	
K1	33020442		SWITCH IGNITION STARTER W/SPARE KEY KIT	
L1/2	33019229		HEADLIGHT 24V	[1]
M1	33015700		FAN RADIAL 48V	
M2	33017232		MOTOR FILTER SHAKER 90W 48V	
M3	33019726		PUMP WATER 24V KIT	
M5	33020222		FAN AXIAL 48V	
M6	33023036		FAN COOLING MOTOR ELECTRIC KIT	[2]
MP	33022549		MOTOR ELECTRIC AND CABLE EXTENSION KIT	
STR	33023308		GAUGE 48V KIT	
SW1	33018843		SWITCH SUCTION KIT	
SW2	33018844		SWITCH HORN KIT	
SW4	1466507000		MICROSWITCH 15A 250V SIP	
SW6	33019325		SWITCH WATER FLUSHING KIT	
T1	1466193000		RELAY TIMER 20 SECONDS SIP	
T2	1466194000		RELAY TIMER 0.5 SEC. SIP	
T3	1466196000		RELAY TIMER 0.5 SECONDS SIP	

Part Notes:

- [1] - SEE TSB-FC-2015-013
- [2] - NO LONGER AVAILABLE

← PAGE 1

PAGE 3 →



WIRING DIAGRAM BATTERY - 2

SR 1601 B

2018.07.06

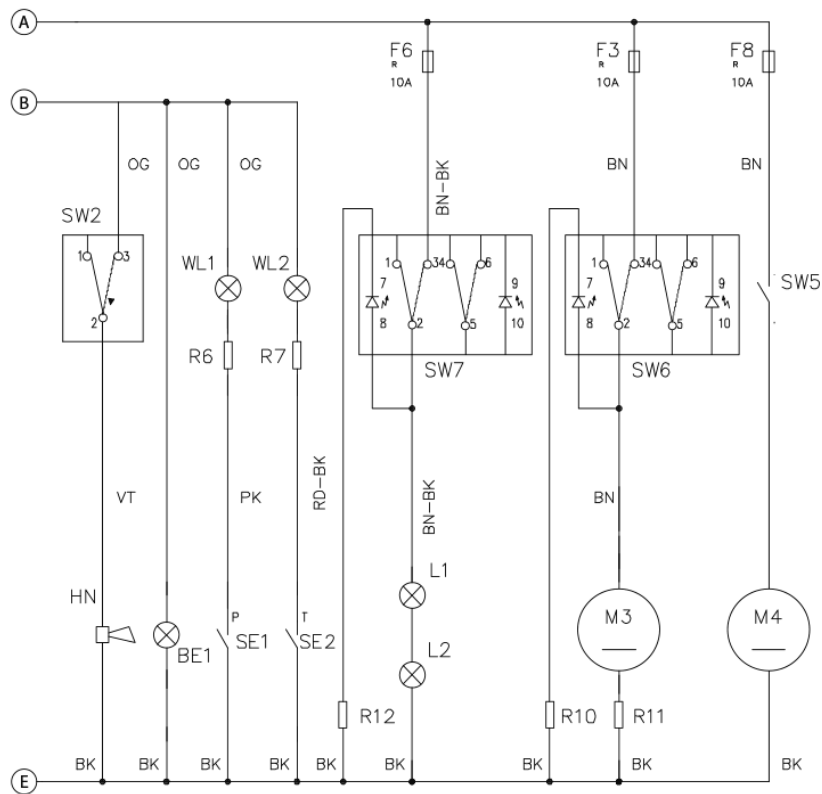
2018.07.11

Pos.	Product no	QTY	Description	Notes
BAT	80562010		BATT.48V-375AH WET 2 TRAY W/BFS	
BE1	56510893		BEACON-WARNING LED	
BZ1	33022643		BUZZER REVERSE GEAR BATTERY KIT	
C1	33023729		CONNECTOR 320A BLUE SIP	
ES0	33017449		CONTACTOR UNIPOLAR 48V	
ES1	909 6622 000		RELAY 24V 40A	
ES2	909 6622 000		RELAY 24V 40A	
ES3	146 1646 000		RELAY 24V	
F0	33008583		POWER FUSE 250A	
F1	33023236		CIRCUIT BREAKER 10A SIP	
F2	33020282		CIRCUIT BREAKER 5A	
F3	33019709		CIRCUIT BREAKER 2A	
F4	33017360		CIRCUIT BREAKER 16A	
F5	33023236		CIRCUIT BREAKER 10A SIP	
F6	33023236		CIRCUIT BREAKER 10A SIP	
F8	33023236		CIRCUIT BREAKER 10A SIP	
F10	909 5101 000		FUSE BLADE 30A	
HN	33009017		HORN 48V 112DB	
K1	33020442		SWITCH IGNITION STARTER W/SPARE KEY KIT	
L1/2	33019229		HEADLIGHT 24V	[1]
M1	33015700		FAN RADIAL 48V	
M2	33017232		MOTOR FILTER SHAKER 90W 48V	
M3	33019726		PUMP WATER 24V KIT	
M5	33020222		FAN AXIAL 48V	
M6	33023036		FAN COOLING MOTOR ELECTRIC KIT	[2]
MP	33022549		MOTOR ELECTRIC AND CABLE EXTENSION KIT	
STR	33023308		GAUGE 48V KIT	
SW1	33018843		SWITCH SUCTION KIT	
SW2	33018844		SWITCH HORN KIT	
SW4	1466507000		MICROSWITCH 15A 250V SIP	
SW6	33019325		SWITCH WATER FLUSHING KIT	
T1	1466193000		RELAY TIMER 20 SECONDS SIP	
T2	1466194000		RELAY TIMER 0.5 SEC. SIP	
T3	1466196000		RELAY TIMER 0.5 SECONDS SIP	

Part Notes:

- [1] - SEE TSB-FC-2015-013
- [2] - NO LONGER AVAILABLE

← PAGE 2



WIRING DIAGRAM BATTERY - 3

SR 1601 B

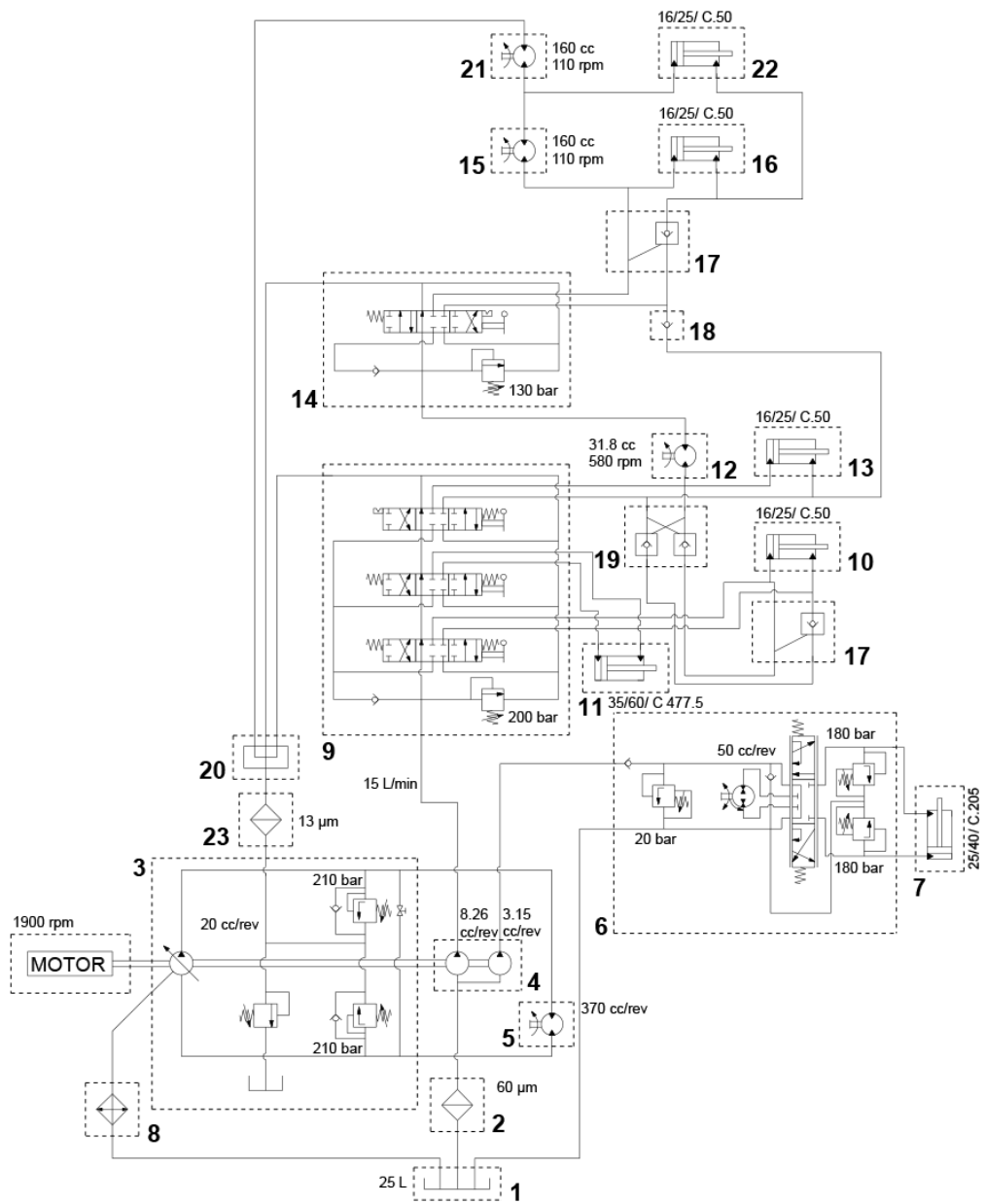
2018.07.06

2018.07.11

Pos.	Product no	QTY	Description	Notes
BAT	80562010		BATT.48V-375AH WET 2 TRAY W/BFS	
BE1	56510893		BEACON-WARNING LED	
BZ1	33022643		BUZZER REVERSE GEAR BATTERY KIT	
C1	33023729		CONNECTOR 320A BLUE SIP	
ES0	33017449		CONTACTOR UNIPOLAR 48V	
ES1	909 6622 000		RELAY 24V 40A	
ES2	909 6622 000		RELAY 24V 40A	
ES3	146 1646 000		RELAY 24V	
F0	33008583		POWER FUSE 250A	
F1	33023236		CIRCUIT BREAKER 10A SIP	
F2	33020282		CIRCUIT BREAKER 5A	
F3	33019709		CIRCUIT BREAKER 2A	
F4	33017360		CIRCUIT BREAKER 16A	
F5	33023236		CIRCUIT BREAKER 10A SIP	
F6	33023236		CIRCUIT BREAKER 10A SIP	
F8	33023236		CIRCUIT BREAKER 10A SIP	
F10	909 5101 000		FUSE BLADE 30A	
HN	33009017		HORN 48V 112DB	
K1	33020442		SWITCH IGNITION STARTER W/SPARE KEY KIT	
L1/2	33019229		HEADLIGHT 24V	[1]
M1	33015700		FAN RADIAL 48V	
M2	33017232		MOTOR FILTER SHAKER 90W 48V	
M3	33019726		PUMP WATER 24V KIT	
M5	33020222		FAN AXIAL 48V	
M6	33023036		FAN COOLING MOTOR ELECTRIC KIT	[2]
MP	33022549		MOTOR ELECTRIC AND CABLE EXTENSION KIT	
STR	33023308		GAUGE 48V KIT	
SW1	33018843		SWITCH SUCTION KIT	
SW2	33018844		SWITCH HORN KIT	
SW4	1466507000		MICROSWITCH 15A 250V SIP	
SW6	33019325		SWITCH WATER FLUSHING KIT	
T1	1466193000		RELAY TIMER 20 SECONDS SIP	
T2	1466194000		RELAY TIMER 0.5 SEC. SIP	
T3	1466196000		RELAY TIMER 0.5 SECONDS SIP	

Part Notes:

- [1] - SEE TSB-FC-2015-013
- [2] - NO LONGER AVAILABLE



HYDRAULIC DIAGRAM BATTERY

SR 1601 B

2018.07.06

2018.07.06

Pos.	Product no	QTY	Description	Notes
1	33018809		TANK OIL KIT	
2	33010199		FILTER HYDRAULIC OIL	
3	33023338		PUMP PISTON 19CC KIT	
4	33023362		PUMP HYDRAULIC TWIN KIT	
5	33019737		MOTOR DRIVE KIT	
6	33022292		STEERING UNIT HYDROST.POWER 50CC SIP	
6	33022286		STEERING UNIT HYDROST.POWER 50CC SIP	
7	33018808		CYLINDER POWER STEERING KIT	
8	33018816		VALVE PRIORITY KIT OLD VERSION	
9	33018812		DISTRIBUTOR 3 ELEMENTS KIT	
10	33018811		CYLINDER LIFTING CONTAINER KIT	
11	33018802		MICRO CYLINDER KIT	
12	33023380		MOTOR HYDRAULIC F MAIN BROOM KIT	
13	33021765		MAIN BROOM CYLINDER KIT	
14	33018815		DISTRIBUTOR 1 ELEMENT KIT	
15	33018807		MOTOR SIDE BROOM KIT	
16	33021767		SIDE BROOM RIGHT CYLINDER KIT	
17	33018840		CHECK VALVE 1/4 SINGLE PILOT OPERAT. KIT	
18	33010481		CHECK VALVE FF 3/8 VU-G3/8	
19	33018816		VALVE PRIORITY KIT OLD VERSION	
20	33017432		BLOCK HYD. HOSES	
21	33018807		MOTOR SIDE BROOM KIT	
22	33021766		SIDE BROOM LEFT CYLINDER KIT	
23	33017431		FILTER OIL CPL	

RECOMMENDED SPARE PARTS

SR 1601 B

2017.11.02

2018.08.30

Pos.	Product no	QTY	Description	Notes
	33003175	1	BEARING TAPER ROLLER 32007	
	1467636000	1	BEARING TAPER ROLLER 32006 SIP	
	33017129	1	GASKET BULB REINFORCED L.670MM	
	33017171	1	SKIRT LT SIDE	
	33017172	1	SKIRT RT SIDE	
	33017173	2	FOAM HOPPER SIDE	
	33017174	1	SKIRT REAR BROOM	
	33023646	1	LATCH SOFT DRAW RUBBER KIT	
	33017257	1	GASKET BULB REINFORCED L.900MM	
	33023365	1	GASKET BULB RUBBER L.2930MM SIP	
	33015700	1	FAN RADIAL 48V	
	33023192	1	GASKET MOTOR VACUUM SIP	
	8-24-04139-1	1	FLTR PANEL ULTRA-WEB CELLULOSE	
	33018634	1	GASKET ADHESIVE 15X15 L.2560MM	
	33017232	1	MOTOR FILTER SHAKER 90W 48V	
	33021313	1	BROOM SIDE 300X500 PPL 1.5	
	33017255	1	BROOM SIDE 260X550 PPL 1.5	
	33019102	1	PIN SIDE BROOM KIT	
	33010199	1	FILTER HYDRAULIC OIL	
	33011530	1	CAP BREATHER W/SPLASH GUARD 1 1/4	
	33018812	1	DISTRIBUTOR 3 ELEMENTS KIT	
	33018815	1	DISTRIBUTOR 1 ELEMENT KIT	
	33018816	1	VALVE PRIORITY KIT OLD VERSION	
	33018817	1	CHECK VALVE 1/4 DUAL PILOT KIT	
	33018840	2	CHECK VALVE 1/4 SINGLE PILOT OPERAT. KIT	
	33020222	1	FAN AXIAL 48V	
	33017199	1	SPRING EXTENSION D.E.12.5 WIRE D.1.5	
	33017259	1	MAT PEDAL	
	33018841	1	FOOT PEDAL UPPER KIT	
	33018843	1	SWITCH SUCTION KIT	
	33018844	1	SWITCH HORN KIT	
	33023308	1	GAUGE 48V KIT	
	33017375	1	DECAL CONTROL PANEL	
	33020442	1	SWITCH IGNITION STARTER W/SPARE KEY KIT	
	1467014000	1	KEY F STARTER SWITCH 2 PCS SET	
	1466194000	1	RELAY TIMER 0.5 SEC. SIP	
	33017356	1	HARNES CONTROL PANEL BATTERY	
	1466196000	1	RELAY TIMER 0.5 SECONDS SIP	
	33017360	1	CIRCUIT BREAKER 16A	
	33018853	1	BROOM MAIN 310X900 CHEVRON 6R PPL 0.7	
	33002106	1	SPRING EXTENSION D.E.30 WIRE D.4	
	33023472	1	SUPPORT BEARING KIT	
	33018867	1	TIE-ROD EYE D.10 KIT	
	33018868	1	LEVER WELDT KIT	
	33018869	1	LEVER F MAIN BROOM LIFTING KIT	
	33023036	1	FAN COOLING MOTOR ELECTRIC KIT	[1]
	33019625	1	CARBON BRUSH 4 PCS SET	[2]
	33022549	1	MOTOR ELECTRIC AND CABLE EXTENSION KIT	
	33023236	3	CIRCUIT BREAKER 10A SIP	
	33017357	1	HARNES REAR COVER BATTERY	
	33023124	1	WHEEL SUPERELASTIC CONTINENTAL 4.00/8SIP	
	33022519	1	WHEELS SUPERELASTIC 5.00/8 KIT	
	33017376	1	HARNES MACHINE BATTERY	
	33023690	1	HARNES BATT.AND EL.COMPONENTS EU SIP	
	909 5101 000	1	FUSE BLADE 30A	
	33023729	1	CONNECTOR 320A BLUE SIP	
	33008583	1	POWER FUSE 250A	
	33017449	1	CONTACTOR UNIPOLAR 48V	
	80562010	1	BATT.48V-375AH WET 2 TRAY W/BFS	

Part Notes:

- [1] - NO LONGER AVAILABLE
- [2] - STOCK COVERS GUARANTEE

OPTIONALS

SR 1601 B

2017.11.02

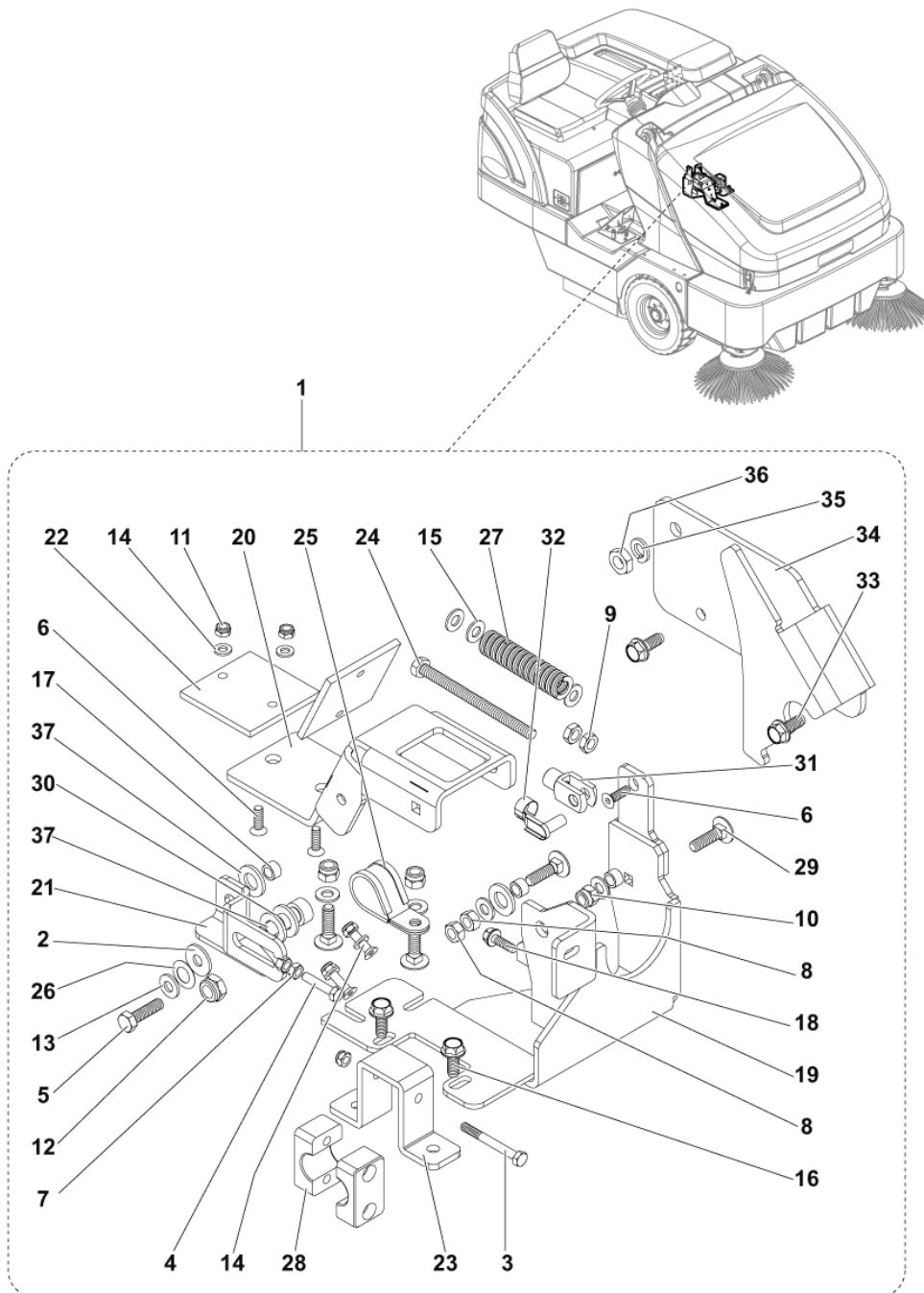
2018.08.31

Pos.	Product no	QTY	Description	Notes
	80554842	1	CHARGER HF 48V 60A R320	
	56382789	1	FILTER PANEL POLY HIGH FLOW	
	56507740	1	POCKET FILTER WATER RESISTANT	[1]
	33019556	1	ARMREST RT SEAT KIT	
	33018889	1	BROOM SIDE 260X550 MIX STEEL	
	33023366	1	BROOM SIDE 260X550 NYLON	
	33019573	1	METAL LINER HOPPER KIT	
	56507029	1	HOPPER TEMP SENSOR KIT	
	33018852	1	BROOM MAIN 310X900 CHEVRON 6R NYLON	
	33018854	1	BROOM MAIN 310X900 CHEVRON 6R MIX STEEL	
	33019172	1	WHEELS SOLID NO MARKING KIT	
	56510893	1	BEACON-WARNING LED	
	33018855	1	BROOM MAIN 310X900 CHEVRON 6R UNION MIX	[2]
	33019173	1	BROOM LEFT SIDE PPL KIT	
	33019173	1	BROOM LEFT SIDE PPL KIT	
	33019572	1	GUARD REAR BUMPER KIT	
	33019377	1	PRE MISTING SYST. 48V KIT	
	33019172	1	WHEELS SOLID NO MARKING KIT	
	33019171	1	GUARD OVERHEAD KIT	
	56508709	1	NOZZLE SPRAY .10	
	56507908	1	CAP NOZZLE	
	33019177	1	FILTER POCKET 48V KIT	[3]
	33019174	1	STEERING ADJUSTABLE KIT	
	33020056	1	CLOGGED HOPPER FILTER SENSOR KIT	
	33019177	1	FILTER POCKET 48V KIT	[3]
	56507740	1	POCKET FILTER WATER RESISTANT	[1]
	56508663	1	MIRROR KIT FOR CAB AND OHG	[4]
	33019171	1	GUARD OVERHEAD KIT	
	33023366	1	BROOM SIDE 260X550 NYLON	
	33019554	1	BELT SEAT KIT	
	33019556	1	ARMREST RT SEAT KIT	
	56507033	1	RAISED INTAKE FILTER NO OHG	
	33019570	1	MAT FLOOR KIT	
	33019560	1	LIGHT FRONT 48V KIT	[5]
	33018854	1	BROOM MAIN 310X900 CHEVRON 6R MIX STEEL	
	33019572	1	GUARD REAR BUMPER KIT	
	33019560	1	LIGHT FRONT 48V KIT	[5]
	33018852	1	BROOM MAIN 310X900 CHEVRON 6R NYLON	
	33020361	1	LIMITING SPEED KIT RETROFIT	
	33019573	1	METAL LINER HOPPER KIT	
	56510893	1	BEACON-WARNING LED	
	33019570	1	MAT FLOOR KIT	
	33021392	1	HOPPER PROTECTION KIT	
	56507830	1	LAMP 12V	
	56507830	1	LAMP 12V	
	56507830	1	LAMP 12V	
	33019571	1	SIDE BROOM PROTECTION KIT	
	56305627	1	TROUBLE LAMP	[6]
	56305518	1	SWITCH VACUUM	
	33019574	1	BACKUP ALARM KIT	[7]
	56507916	1	STRAINER CHECK VALVE 5 PSI	
	56507029	1	HOPPER TEMP SENSOR KIT	
	56507040	1	SUSPENSION SEAT KIT	
	33018855	1	BROOM MAIN 310X900 CHEVRON 6R UNION MIX	[2]
	56305518	1	SWITCH VACUUM	
	33020056	1	CLOGGED HOPPER FILTER SENSOR KIT	
	56507038	1	AMBER STROBE NO OHG	
	33019554	1	BELT SEAT KIT	
	80554842	1	CHARGER HF 48V 60A R320	

Pos.	Product no	QTY	Description	Notes
	33022681	1	HARDWARE BEACON KIT	
	33019571	1	SIDE BROOM PROTECTION KIT	
	33019174	1	STEERING ADJUSTABLE KIT	
	33018889	1	BROOM SIDE 260X550 MIX STEEL	
	56507033	1	RAISED INTAKE FILTER NO OHG	
	33023296	1	SEAT SUSPENSION SIP	
	80562010	1	BATT.48V-375AH WET 2 TRAY W/BFS	
	56507039	1	AMBER STROBE FOR OHG	
	56507916	1	STRAINER CHECK VALVE 5 PSI	
	56507038	1	AMBER STROBE NO OHG	[8]
	56507039	1	AMBER STROBE FOR OHG	[9]
	56508709	1	NOZZLE SPRAY .10	
	56507908	1	CAP NOZZLE	
	56382789	1	FILTER PANEL POLY HIGH FLOW	
	56456590	1	L.P. TANK	
	33020361	1	LIMITING SPEED KIT RETROFIT	
	33021392	1	HOPPER PROTECTION KIT	
	33019377	1	PRE MISTING SYST. 48V KIT	
	33021975	1	GAS SPRING KIT	
	33022681		HARDWARE BEACON KIT	

Part Notes:

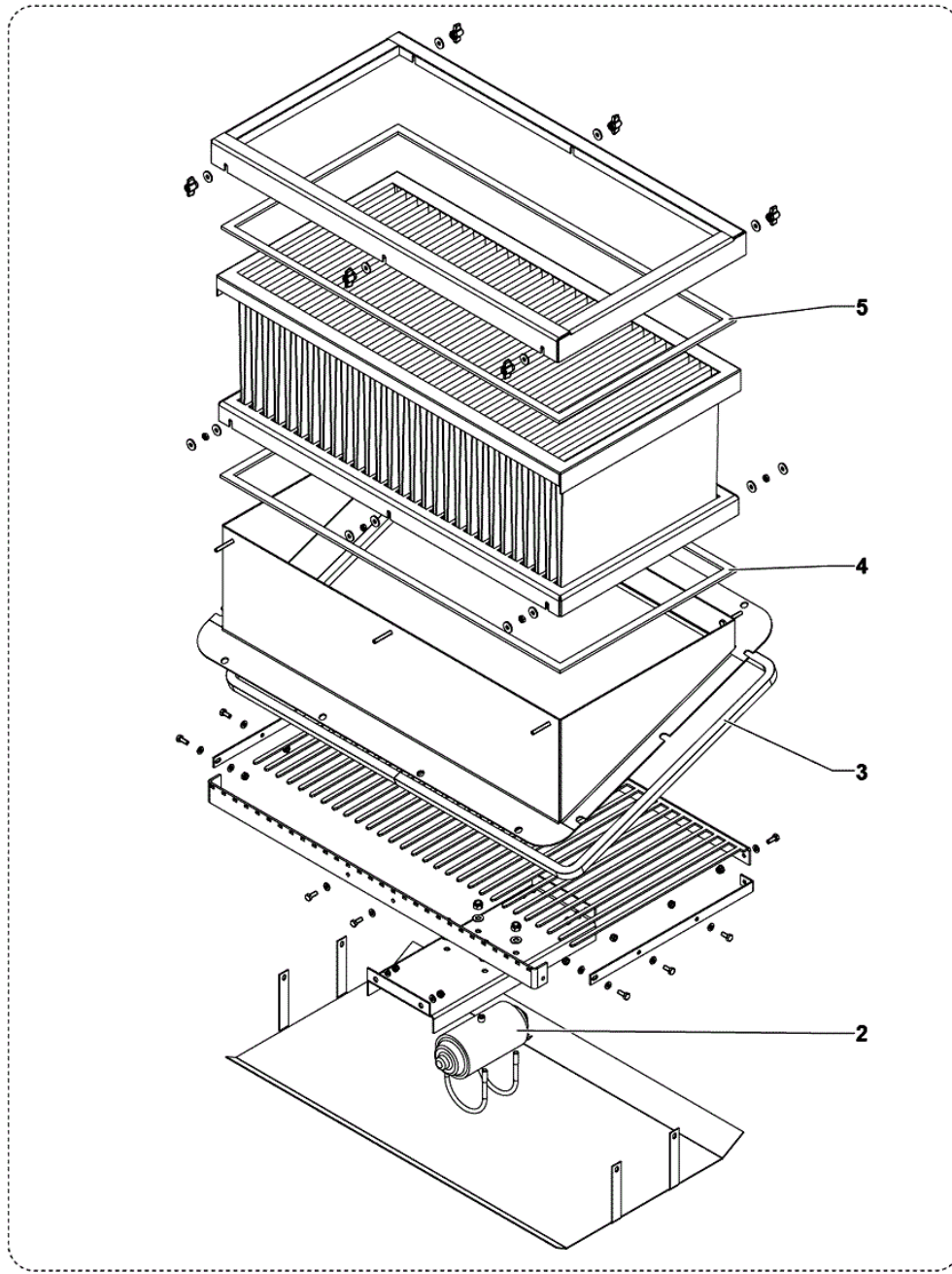
- [1] - EXPIRED ON 10/5/2018
- [2] - see PI 2014-003 TTY
- [3] - 2020 ACCESSORY PRUNING
- [4] - COMPLEXITY REDUCTION
- [5] - SEE TSB-FC-2015-013
- [6] - NO LONGER AVAILABLE
- [7] - SEE TSB-FC-2013-148
- [8] - 56040898 - INSTRUCTION SHEET
- [9] - 56040899 - INSTRUCTION SHEET



Pos.	Product no	QTY	Description	Notes
1	33020361	1	LIMITING SPEED KIT RETROFIT	[1]
19	33019995	1	BASE SPEED LIMITING	
20	33019996	1	LEVER SPEED LIMITING	
21	33019997	1	LEVER ADJUSTER	
22	33019998	2	PLATE FOR SPEED LIMITING	
23	33020212	1	SUPPORT COLLAR	
25	33020367	1	CLAMP HOSE D.25	
26	146 0617 000	1	BELLEVILLE WASHER 12.3X21.8X0.35 DIN2093	
34	33020565	1	BRACKET SAFETY GUIDE	
K1	33020350	1	HARDWARE SPEED LIMITING KIT	[2]

Part Notes:

- [1] - OPTIONAL - SEE INST. INSTR. 33020363
 [2] - NOT SHOWN - POS. 2-3-4-5-6-7-8-9-10-11-12-13-14-15-16-17-18-24-27-28-29-30-31-32-33-35-36

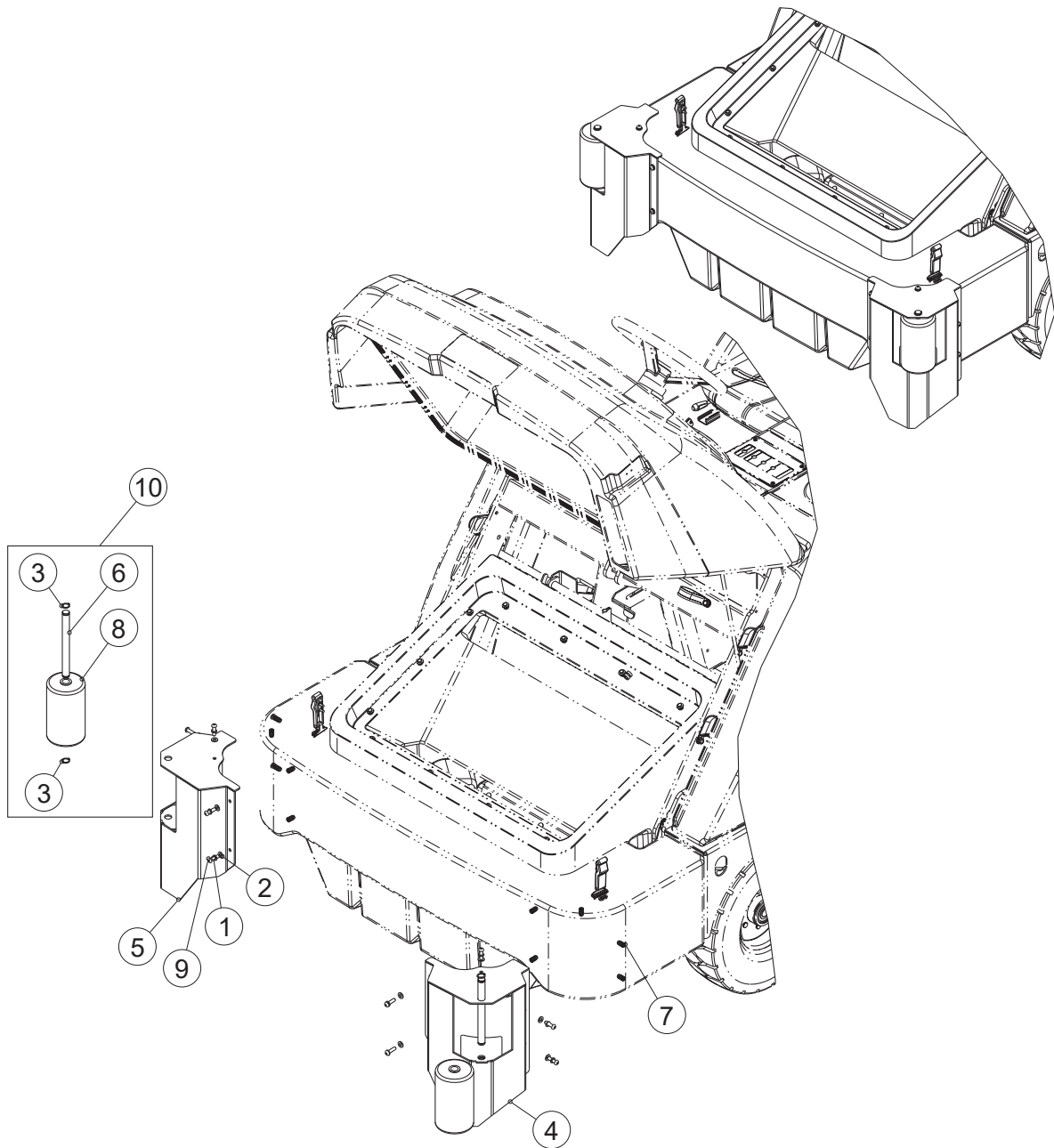


1

Pos.	Product no	QTY	Description	Notes
1	33019176	1	FILTER POCKET 12V KIT	[1]
2	146 1104 000	1	MOTOR FILTER SHAKER 90W 12V	
3	33018634	1	GASKET ADHESIVE 15X15 L.2560MM	
4	33017421	1	GASKET ADHESIVE 15X5 L.2200MM SIP	
5	33017423	1	GASKET ADHESIVE 15X5 L.2250MM SIP	

Part Notes:

[1] - OPTIONAL - SEE INST. INSTR. 33018766



Pos.	Product no	QTY	Description	Notes
	33019571	1	SIDE BROOM PROTECTION KIT	[1]
1		10	WASHER SPRING LOCK M8 DIN127-B	
2		10	WASHER PLAIN M8X16 ISO7089	
3		4	SHAFT RING D.19	
4		1	GUARD LEFT SIDE BROOM	
5		1	GUARD RIGHT SIDE BROOM	
6		2	PIN ROLLER SIDE BROOM PROTECTION	
7		10	SLEEVE M8 W/HEX	
8		2	BUMPER	
9		10	SCREW M8X30 BUTTON HD HEX SOCK ISO7380	
10	33023882	1	BUMPER PIVOT KIT	

Part Notes:

[1] - IS_33019203_INSTRUCTIONS INSTALL. KIT 33019571

