

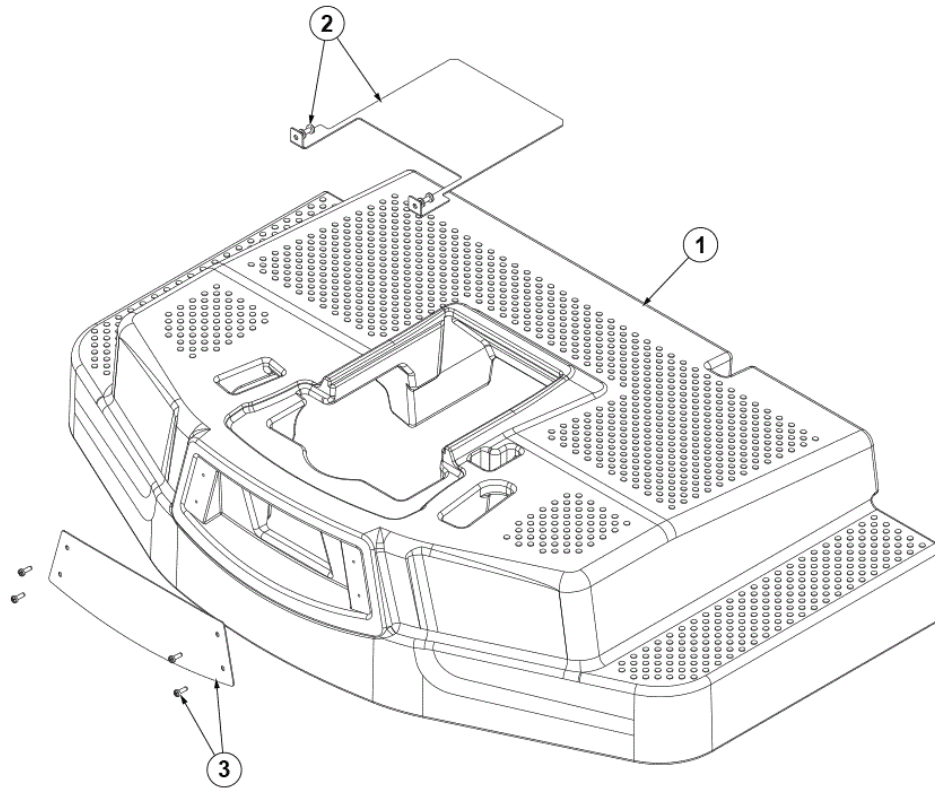
PARTS LIST



2020.10.27

TABLE OF CONTENTS

PL FOOTBOARD ASSY	1
PL RECOMMENDED SW5500 B	3
PL SUPPORT SEAT ASSY	5
PL PLATE ASSY	7
PL COVERS ASSY	9
PL HATCHES ASSY	11
PL WIRING DIAGRAM BATTERY	13
PL COLUMN DASHBOARD ASSY	15
PL STEERING MOTORWHEEL ASSY	17
PL MOTORWHEEL ASSY	19
PL BRAKE PEDAL ASSY	21
PL REAR WHEELS ASSY	23
PL ELECTRICAL COMPONENTS ASSY	25
PL RIGHT BROOM ASSY	27
PL ACCESSORIES - CHARGER BATT. ONBOARD - LIGHT FRONT - USB PORT	29
PL LEFT BROOM ASSY	31
PL MAIN BROOM ASSY	33
PL MAIN BROOM ADJUSTMENT	35
PL LEFT ARM MAIN BROOM ASSY	37
PL SKIRTS ASSY	39
PL FRONT SKIRT ASSY	41
PL LIFTING HOPPER ASSY	43
PL LIFTING HOPPER ASSY 2	45
PL CYLINDERS ASSY	47
PL HYDRAULIC ASSY	49
PL FILTER SUPPORT ASSY	51
PL FAN SUPPORT ASSY	53
PL SHAKER FILTER ASSY	55
PL VACUUM FAN ASSY	57
PL ELECTRIC SYSTEM	59
PL ACCESSORIES - FILTER POCKET	61
PL ACCESSORIES - GUARD SIDE BROOM	63
PL ACCESSORIES - DUSTGUARD	65
PL ACCESSORIES - GUARD OVERHEAD - CANOPY FOR OHG	67
PL ACCELERATOR PEDAL ASSY	69



PL FOOTBOARD ASSY

SW5500 B NIL

2018.04.05

2018.04.05

Pos.	Product no	QTY	Description	Notes
1	1466852000	1	FOOTBOARD PLASTIC BLACK KIT	
2	1466847000	1	PLATE MET. F FOOTBOARD INSPECTION KIT	
3	1466848000	1	PLATE MET. BLACK FRONT F FOOTBOARD KIT	

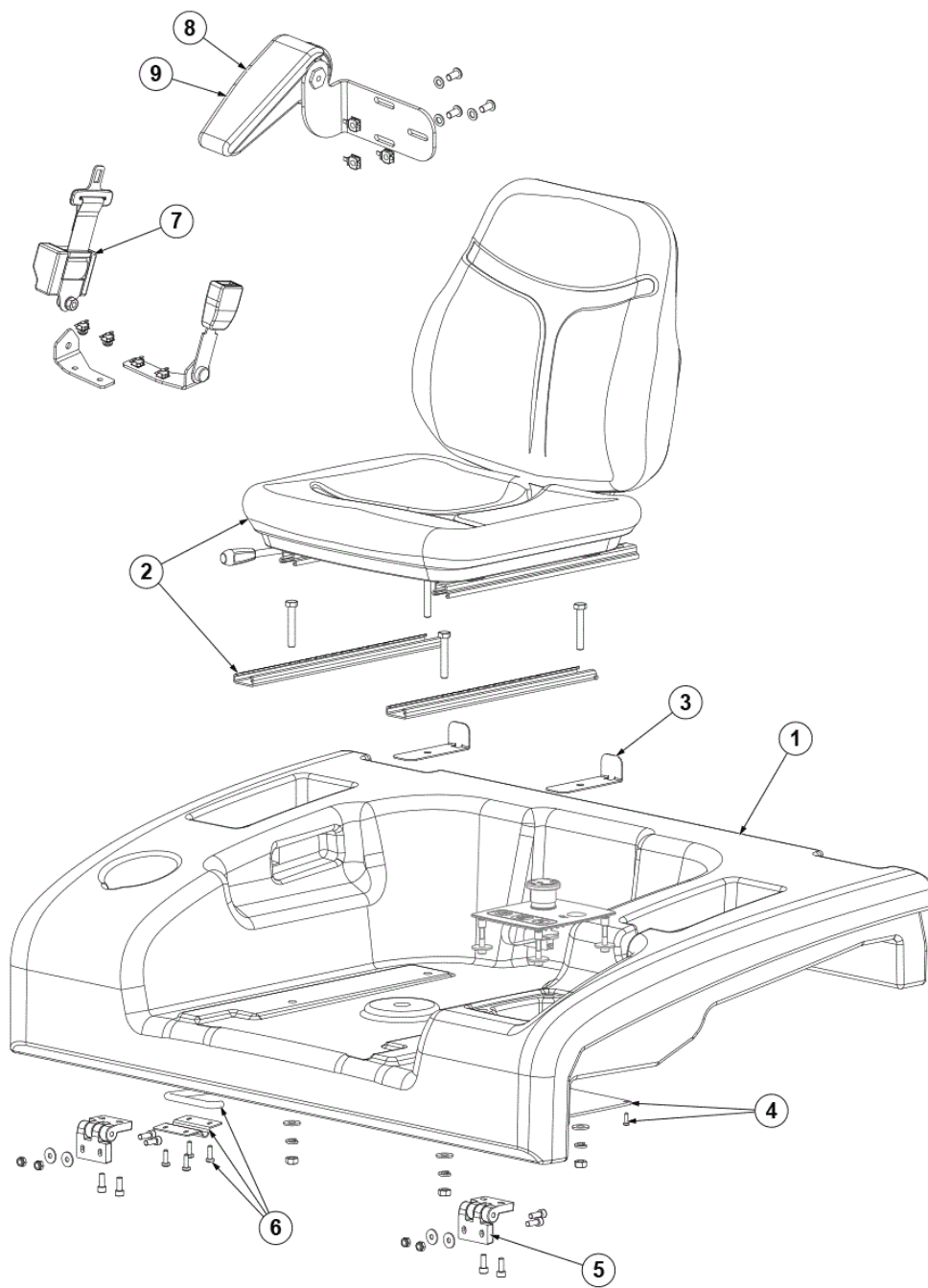
PL RECOMMENDED SW5500 B

SW5500 B NIL

2017.11.02

2017.10.18

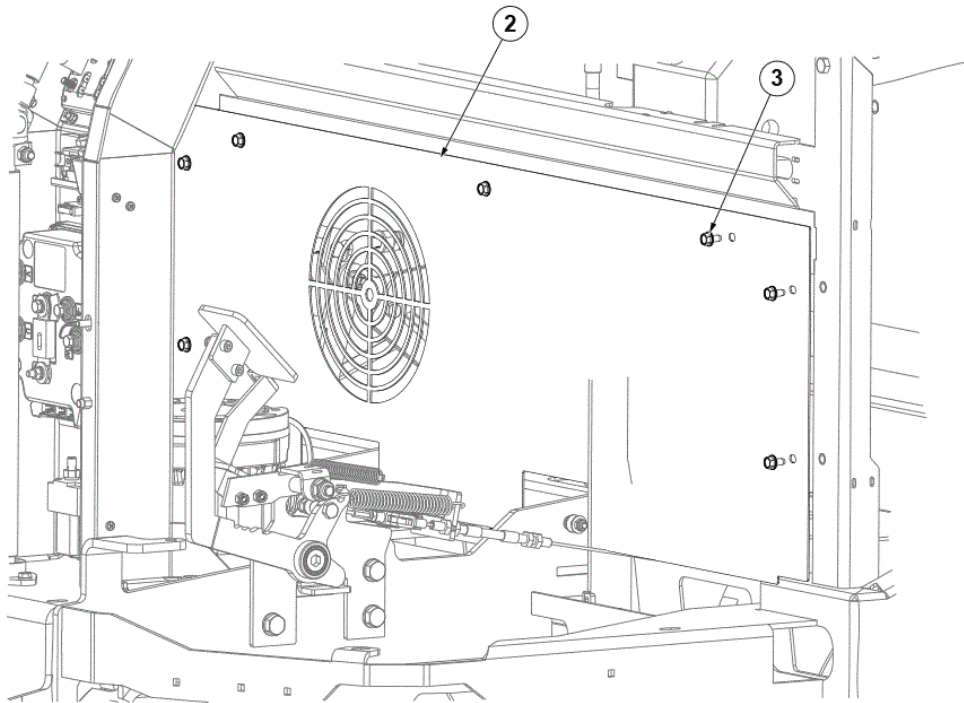
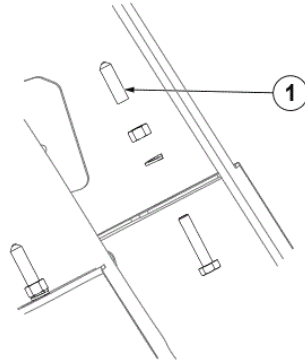
Pos.	Product no	QTY	Description	Notes
EOM	9100001879	1	CONTROLLER MAIN MACHINE KIT	
EOM	1466649000	1	CONTROLLER DRIVE WHEEL 24V 240A A.C. SIP	
EOM	1466652000	1	FUSE BOLT DOWN 150A SIP	
EOM	1467599000	1	PEDAL F BRAKE KIT	
EOM	1466655000	1	WIRE F RT BRAKE SIP	
EOM	1466656000	1	WIRE F LT BRAKE SIP	
EOM	1467598000	1	TIE ROD PRIMARY BRAKE SIP	
EOM	1466663000	1	ACTUATOR LINEAR 24V DC STRK 45MM SIP	
EOM	1466668000	1	MOTOR GEARBOX 24VDC 120W RT BROOM SIP	
WEAR	1466670000	1	BROOM SIDE 302X500 PPL 1.5 BLACK	
EOM	1466674000	1	MOTOR GEARBOX 24VDC 120W LT BROOM SIP	
EOM	1466681000	1	CONTROLLER DISPLAY SIP	
EOM	1466691000	1	GEAR BOX 7.5/1 71 B14 SIP	
EOM	1466697000	1	TIE-ROD METALLIC F BROOM SPRING SIP	
EOM	1466701000	1	KNOB LOBES M10 F W/ORANGE CAP SIP	
EOM	1466712000	1	GEARCASE HYDRAULIC 24V 800W 1CC SIP	
EOM	1466723000	1	CYLINDER HYDRAULIC 25/16/120 CPL KIT	
EOM	1466724000	1	BLOCK PLASTIC F LIFTING ARM GUIDE SIP	
EOM	1466790000	1	CYLINDER HYDRAULIC 40/25/470 CPL KIT	
EOM	1466856000	1	LEVER F FAN HOLDER BLOCK KIT	
EOM	1466859000	1	HUB F SIDE BROOM SIP	
WEAR	1466860000	1	WHEELS SOLID 4.00-8 CPL KIT	
EOM	1466861000	1	CAM PLASTIC F HOPPER POSITIONING KIT	
EOM	1466862000	1	GASKET DOUBLE BULB RUBBER L.2020MM SIP	
EOM	1466879000	2	BRACKET GALV. F FILTER SHAKER SIP	
WEAR	1466936000	1	BROOM SIDE 302X500 MIX STEEL	
EOM	1466946000	1	MOTOR 24V 1250W 3800 RPM IP44 MP80L KIT	
EOM	1467009000	2	SPRING COMPRESS. D.E.13.5 4 PCS SET	
EOM	1467023000	1	HUB LT PLASTIC F MAIN BROOM SIP	
EOM	1467024000	1	SPRING COMPRESSION D.E.26 WIRE D.2 SIP	
EOM	1467030000	1	BEARING BALL 6003 2RS	
EOM	1467034000	1	FUSE BLADE 10A SIP	
EOM	1467036000	2	KNOB LOBES M10 FEMALE SIP	
EOM	1467039000	1	SPRING TRACTION CARBON STEEL SIP	
EOM	1467040000	1	FAN RADIAL 24V SIP	
EOM	1467042000	1	LATCH SOFT DRAW RUBBER SIP	
EOM	1467046000	1	SPRING EXTENSION D.E.18 WIRE D.2 SIP	
EOM	1467054000	1	VALVE BLOCK SIP	
EOM	1467056000	1	HUB MAIN BROOM PLAST. SIP	
EOM	1467062000	2	SWITCH BACK UP PROXIMITY SIP	
WEAR	1467066000	1	SHOE BRAKE SIP	
WEAR	1467069000	1	ROLLER SIDE BLADE SIP	
EOM	1467070000	1	PIN D.10 GALV. W/CLIP SIP	
EOM	1467071000	1	SPRING EXTENTION D.E.30 WIRE D.5 SIP	
WEAR	1467076000	1	BROOM SIDE 302X500 MIX 5	
EOM	1467209000	1	VALVE FLOW CONTROL 5L/MIN 1/4 GAS SIP	
EOM	1467210000	1	SOLENOID 24V 18W N-H13 SIP	
EOM	1467211000	1	CARTRIDGE SOLENOID VALVE 4/2 SIP	
EOM	1467212000	1	CARTRIDGE SOLENOID VALVE 4/3 SIP	
EOM	1467213000	1	CAP PRESSURE D19 SIP	
EOM	1467214000	1	CAP F MP80L MOTOR BRUSHES SIP	
EOM	1467215000	1	CAP F MOTOR BRUSHES SIP	
EOM	1467241000	1	FUSE BOLT-DOWN 160A SIP	
EOM	1467242000	1	MOTOR ELECTRIC 24V 800W SIP	
EOM	9098329000	1	HINGES KIT	
WEAR	1467083000	2	CARBON BRUSH 2 PCS SET	
WEAR	L08603949	1	CARBON BRUSH 4 PCS SET	
EOM	1466679000	1	DASHBOARD CONTROL PANEL BLUE SIP	
EOM	1467243000	1	STUD BOLT M/F 1/4 BSP ES. 19 SIP	



Pos.	Product no	QTY	Description	Notes
1	1466837000	1	SUPPORT PLASTIC GREY F SEAT SIP	
2	1466887000	1	SEAT SUSPENSION KIT	[1]
2	1467028000	1	SEAT SIP	
3	1466937000	2	BRACKET MET. BLACK F SEAT BLOCK SIP	[2]
3	1467078000	2	BRACKET BLACK SUSPENSION SEAT BLOCK SIP	[3]
4	1466839000	1	COVER PLASTIC F SAFETY SWITCH KIT	
5	9098329000	1	HINGES KIT	
6	1465042000	1	SUPPORT F SAFETY BAR KIT	
7	1464954000	1	BELTS SAFETY KIT	[4]
8	1464960000	1	ARMREST LT SEAT KIT	[5]
9	33019556	1	ARMREST RT SEAT KIT	[6]

Part Notes:

- [1] - OPTIONAL - INS. INSTR. 1466897000
- [2] - FOR SEAT - REF. 1467028000
- [3] - FOR SEAT SUSPENSION - REF. 1466887000
- [4] - OPTIONAL - INST. INSTR. 1465247000
- [5] - OPTIONAL - INST. INSTR. 1465249000
- [6] - OPTIONAL



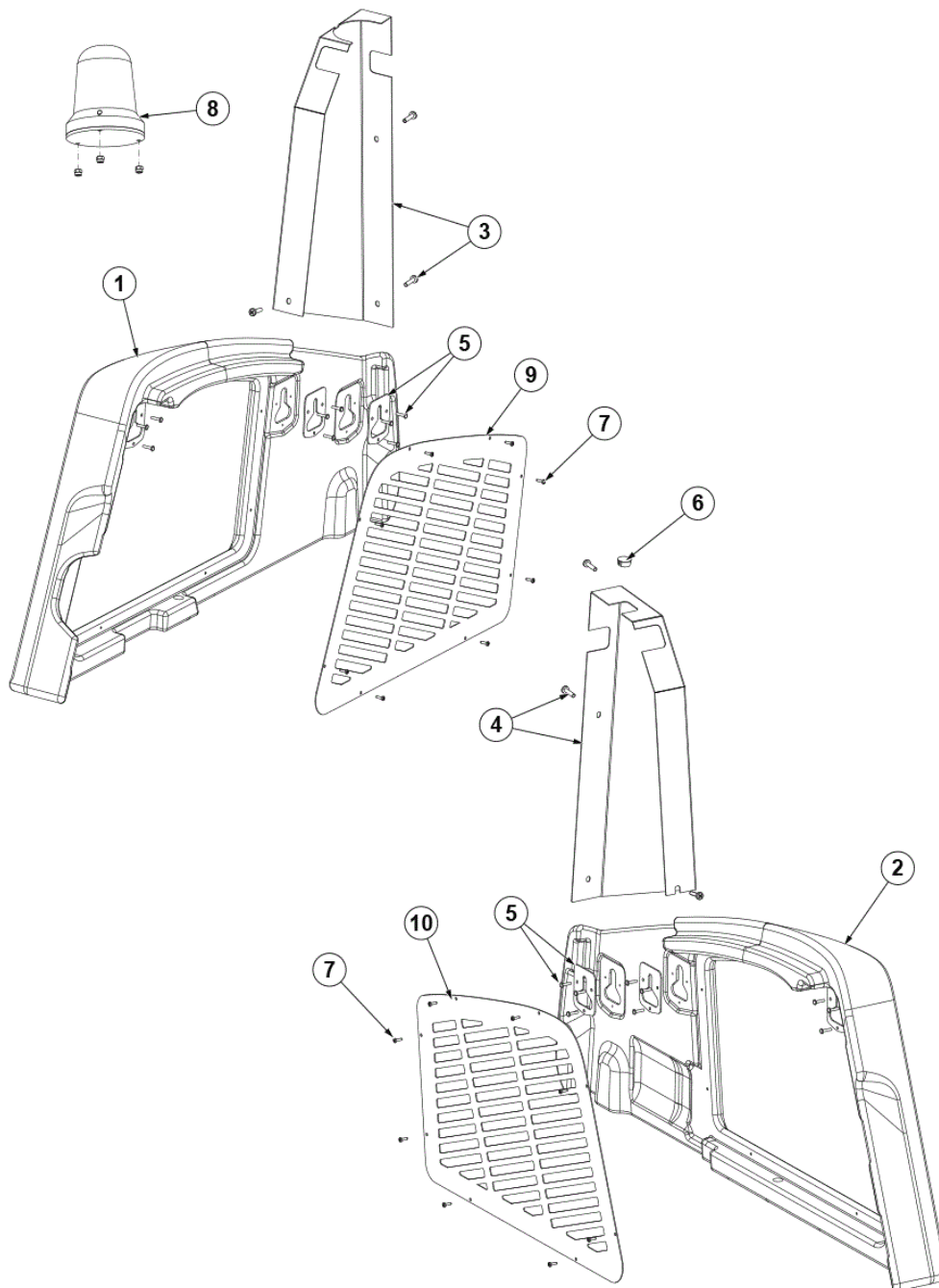
PL PLATE ASSY

SW5500 B NIL

2018.04.05

2020.07.27

Pos.	Product no	QTY	Description	Notes
1	1467897000	1	CAP VINYL 2 PCS SET	
1	1467013000	2	CAP VINYL 3 PCS SET	
2	1466864000	1	PANEL METAL FRONT F CHASSIS BLACK KIT	
3	1467022000	4	SCREW M6X12 HEX HD DIN7500 2 PCS SET	



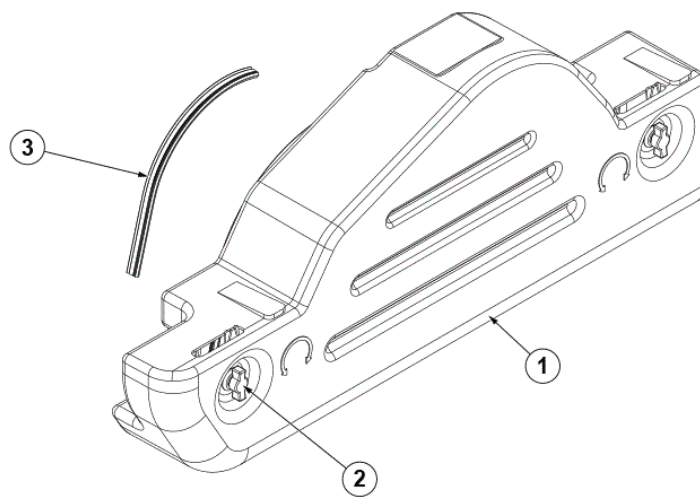
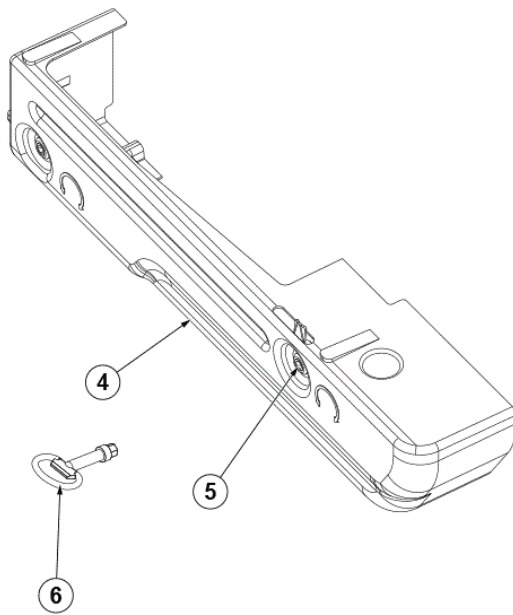
PL COVERS ASSY

SW5500 B NIL

2018.04.05

2018.04.05

Pos.	Product no	QTY	Description	Notes
1	1466844000	1	COVER RT PLASTIC GREY KIT	
2	1466843000	1	COVER LT PLASTIC GREY KIT	
3	1466841000	1	COVER METALLIC BLACK RT SHOULDER KIT	
4	1466840000	1	COVER METALLIC BLACK LT SHOULDER KIT	
5	1466842000	6	PLATE F SIDE PANEL FIXING KIT	
6	1467027000	1	PLUG DOME PLASTIC BLACK D.22.6 SIP	
7	1467008000	2	SCREW 3.5X12 PAN PHIL W/O BIT 10 PCS SET	
8	1464948000	1	BEACON KIT	
9	1466794000	1	GRID SIDE MET. BLACK KIT	
10	1466794000	1	GRID SIDE MET. BLACK KIT	



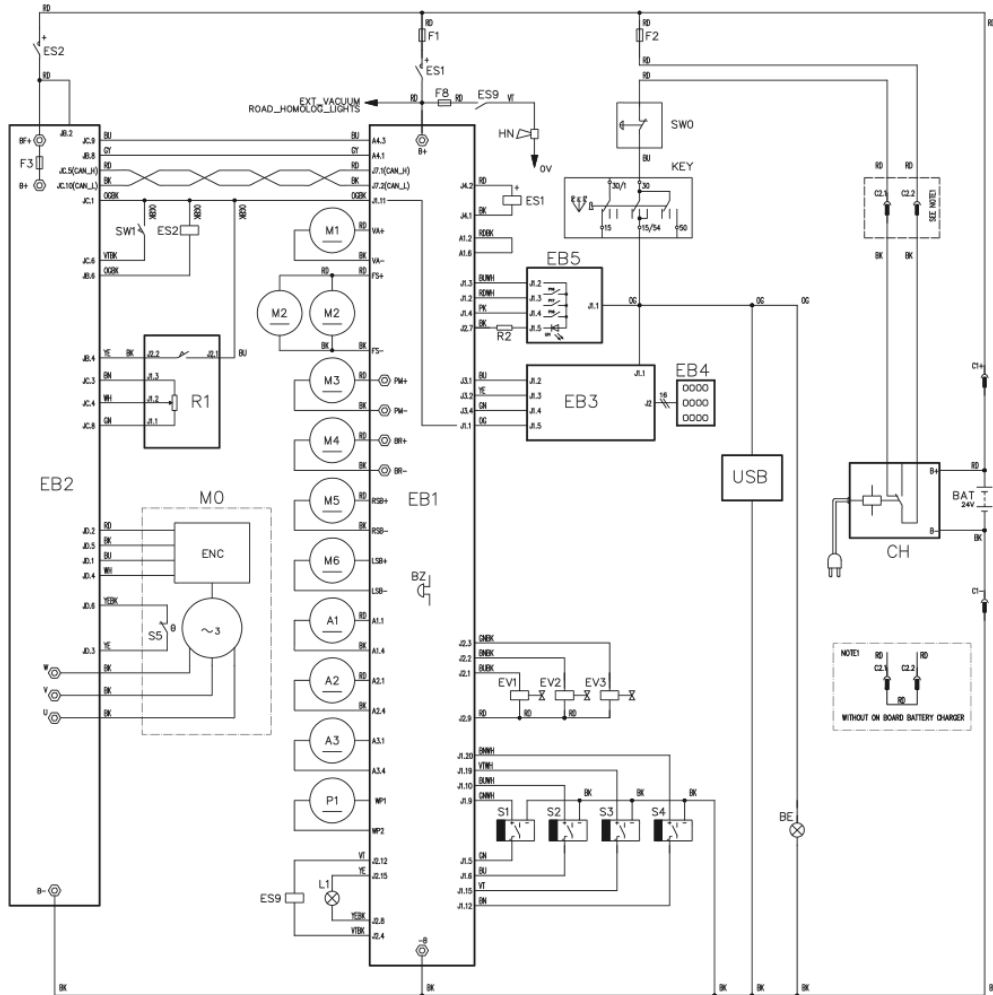
PL HATCHES ASSY

SW5500 B NIL

2018.04.05

2018.04.05

Pos.	Product no	QTY	Description	Notes
1	1466849000	1	HATCH LOWER BLACK LT SIDE KIT	
2	1467041000	2	LOCK SIP	
3	1466850000	1	GASKET BULB RUBBER L.415MM SIP	
4	1466851000	1	HATCH LOWER BLACK RT SIDE KIT	
5	1467109000	1	LOCK WITH KEY F HATCH SIP	
6	1467057000	1	KEY HEX 10MM MALE SIP	



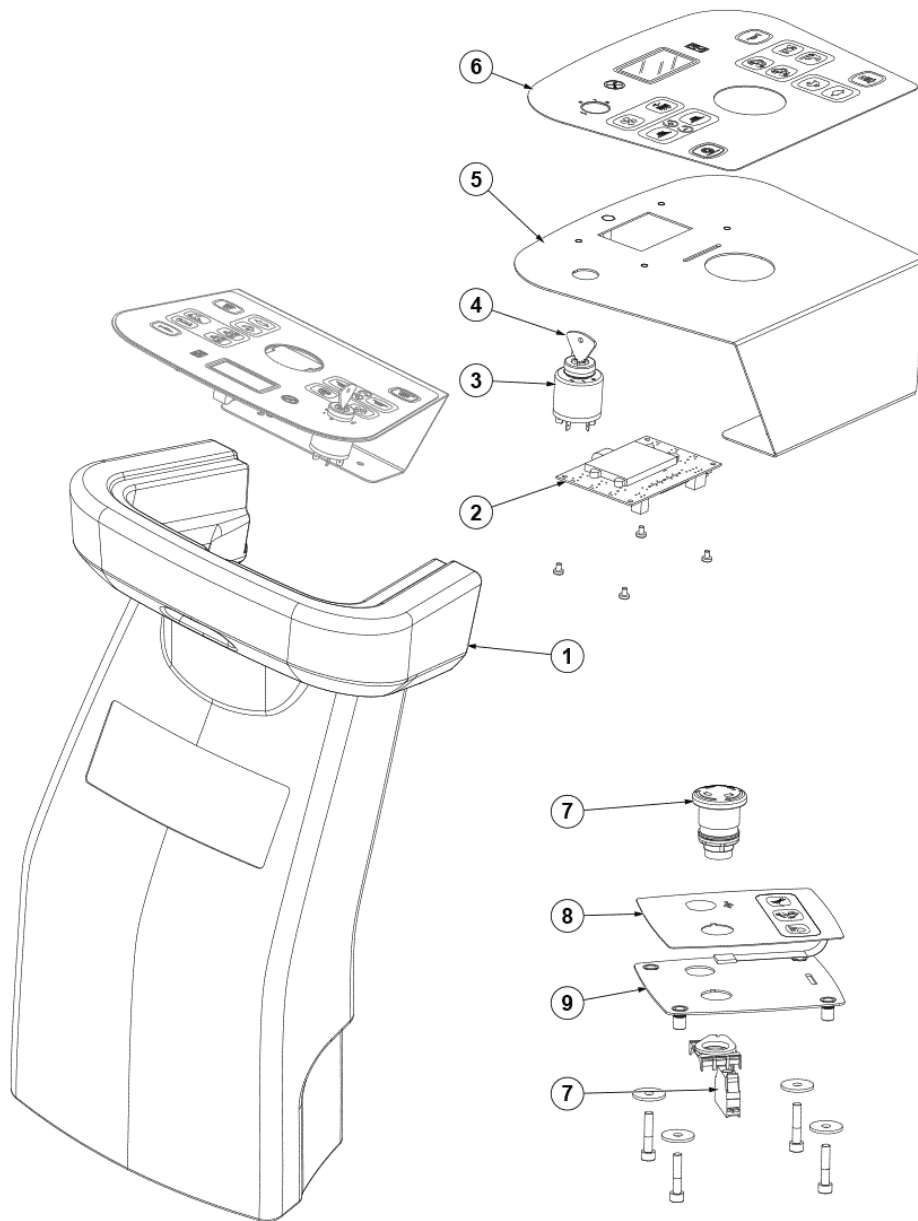
PL WIRING DIAGRAM BATTERY

SW5500 B NIL

2017.11.02

2016.06.28

Pos.	Product no	QTY	Description	Notes
A1	1466663000		ACTUATOR LINEAR 24V DC STRK 45MM SIP	
A2	1466663000		ACTUATOR LINEAR 24V DC STRK 45MM SIP	
A3	1466663000		ACTUATOR LINEAR 24V DC STRK 45MM SIP	
BE	1464948000		BEACON KIT	
C1	1467029000		CONNECTOR 175A RED SIP	
C2	1467029000		CONNECTOR 175A RED SIP	
CH	1466893000		CHARGER BATT. O/B 24V-40A 230V KIT	
EB1	9100001879		CONTROLLER MAIN MACHINE KIT	
EB2	1466649000		CONTROLLER DRIVE WHEEL 24V 240A A.C. SIP	
EB3	1466681000		CONTROLLER DISPLAY SIP	
EB4	1466679000		DASHBOARD CONTROL PANEL BLUE SIP	
EB4	1466680000		DASHBOARD CONTROL PANEL BLACK SIP	
EB5	1467766000		DASHBOARD SIDE CONTROL PANEL BLACK SIP	
EB5	1466686000		DASHBOARD SIDE CONTROL PANEL BLACK SIP	
ES1	1466645000		CONTACTOR 24V 100A SIP	
ES2	1466644000		CONTACTOR 24V 200A SIP	
F1	1466652000		FUSE BOLT DOWN 150A SIP	
F2	1467034000		FUSE BLADE 10A SIP	
F3	1467241000		FUSE BOLT-DOWN 160A SIP	
HN	1467032000		HORN 24V 112DB SIP	
KEY	33020442		SWITCH IGNITION STARTER W/SPARE KEY KIT	
L1	1466889000		LIGHT FRONT KIT	
M0	1466461000		MOTOR AC 24V 1.2KW	
M1	1467040000		FAN RADIAL 24V SIP	
M2	1466314000		MOTOR FILTER SHAKER 12W 24V KIT	
M3	1466712000		GEARCASE HYDRAULIC 24V 800W 1CC SIP	
M4	1466946000		MOTOR 24V 1250W 3800 RPM IP44 MP80L KIT	
M5	1466668000		MOTOR GEARBOX 24VDC 120W RT BROOM SIP	
M6	1466674000		MOTOR GEARBOX 24VDC 120W LT BROOM SIP	
R1	1466589000		PEDAL ELECTRONIC ACCELERATOR KIT	
S1	1467062000		SWITCH BACK UP PROXIMITY SIP	
S2	1467062000		SWITCH BACK UP PROXIMITY SIP	
S3	1467062000		SWITCH BACK UP PROXIMITY SIP	
S4	1467062000		SWITCH BACK UP PROXIMITY SIP	
SW0	1466683000		SWITCH EMERGENCY KIT	
SW1	1467028000		SEAT SIP	
USB	1466247000		USB PORT KIT	



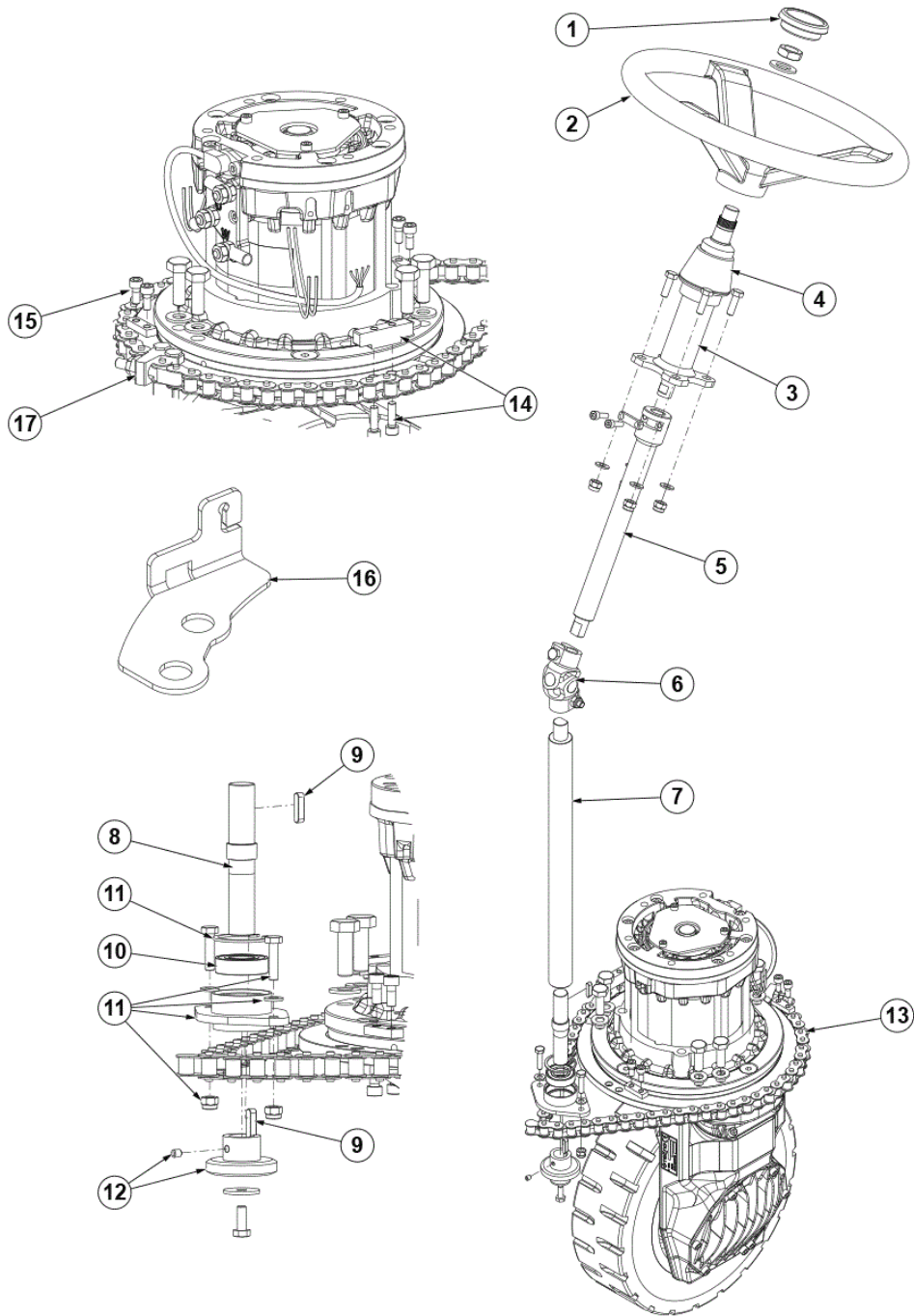
PL COLUMN DASHBOARD ASSY

SW5500 B NIL

2018.04.05

2018.04.05

Pos.	Product no	QTY	Description	Notes
1	1466677000	1	COLUMN PLASTIC GREY SIP	
2	1466681000	1	CONTROLLER DISPLAY SIP	
3	33020442	1	SWITCH IGNITION STARTER W/SPARE KEY KIT	
4	1467014000	1	KEY F STARTER SWITCH 2 PCS SET	
5	1466682000	1	PLATE MET. BLACK F MAIN DASHBOARD SIP	
6	1467765000	1	DASHBOARD CONTROL PANEL BLACK SIP	
7	1466683000	1	SWITCH EMERGENCY KIT	
8	1467766000	1	DASHBOARD SIDE CONTROL PANEL BLACK SIP	
9	1466685000	1	PLATE MET. BLACK F SIDE DASHBOARD SIP	



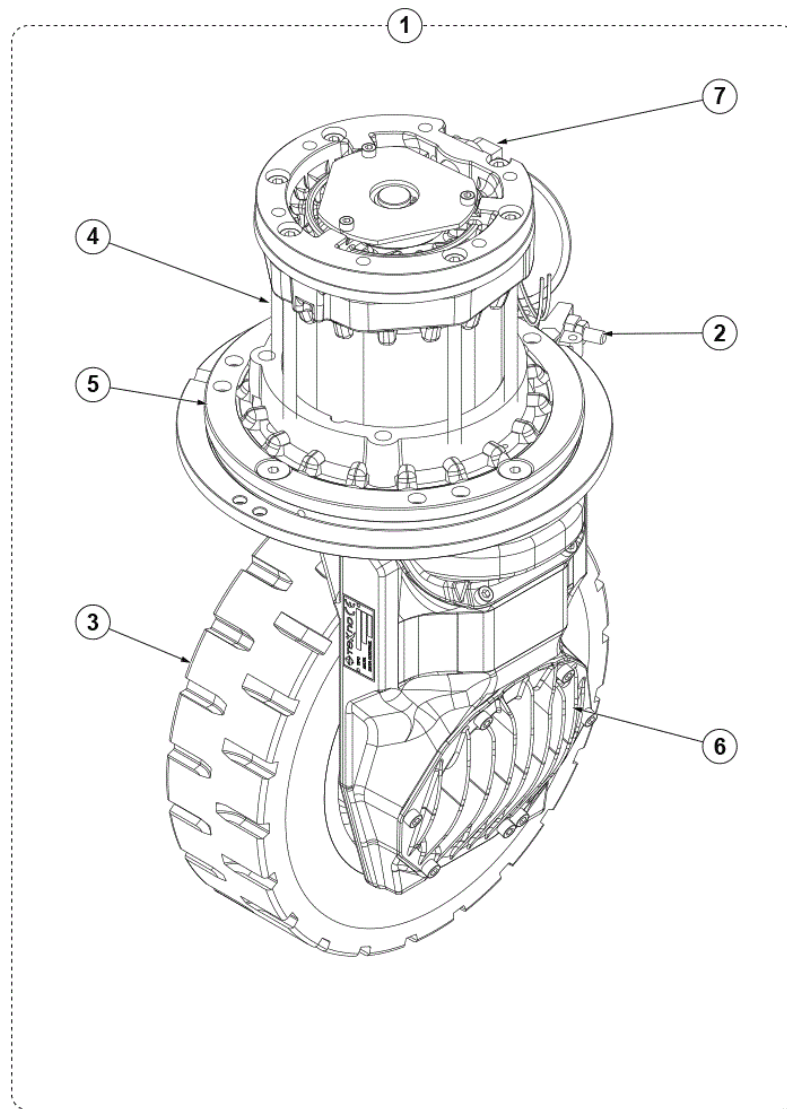
PL STEERING MOTORWHEEL ASSY

SW5500 B NIL

2018.04.05

2018.04.05

Pos.	Product no	QTY	Description	Notes
1	1467031000	1	CAP SIP	
2	1467048000	1	STEERING WHEEL D.362 TAPER 1/19.26 SIP	
3	1466525000	1	COLUMN STEERING SIP	
4	1467055000	1	COVER F STEERING COLUMN SIP	
5	1466593000	1	SHAFT STEERING UPPER KIT	
6	1466319000	1	JOINT UNIVERSAL D.17 SIP	
7	1466594000	1	SHAFT GALV. VERTICAL F STEERING SIP	
8	1466595000	1	SHAFT STEERING LOWER PHOS. SIP	
9	1466147000	2	KEY 5X5X20 UNI6604A SIP	
10	1467030000	1	BEARING BALL 6003 2RS	
11	1466601000	1	HOUSING PHOS. F STEERING BEARING KIT	
12	1466599000	1	PINION Z8 5/8X3/8 MET. KIT	
13	1466600000	1	CHAIN ISO 10B-1 57 PITCHES 2 LINKS SIP	
14	1466597000	1	STOP F STEERING GALV. ON MOTORWHEEL KIT	
15	1466596000	1	STOP F STEERING GALV. ON CHASSIS KIT	
16	1467574000	1	BRACKET F ACCELERATOR PEDAL SPRING SIP	
17	1465990000	1	STRETCHER F CHAIN	



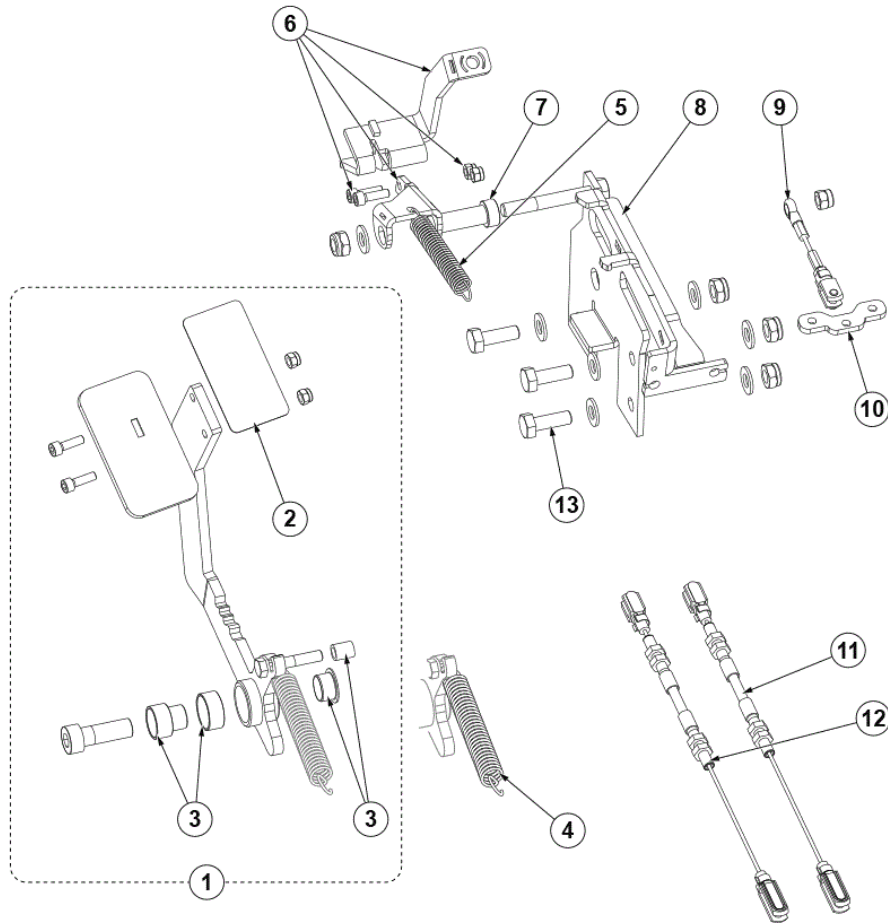
PL MOTORWHEEL ASSY

SW5500 B NIL

2018.04.05

2020.05.05

Pos.	Product no	QTY	Description	Notes
1	1467191000	1	MOTORWHEEL TV-130 24V AC 1.2KW KIT	
2	1465990000	1	STRETCHER F CHAIN	
3	1466255000	1	WHEEL NON MARKING D300X85	
4	1466461000	1	MOTOR AC 24V 1.2KW	
5	1466468000	1	PLATE STEERING F MOTORWHEEL TV-130MF	
6	1466474000	1	GEAR BOX F MOTORWHEEL TV-130 1/28.4	
7	1467192000	1	SENSOR SPEED KIT	



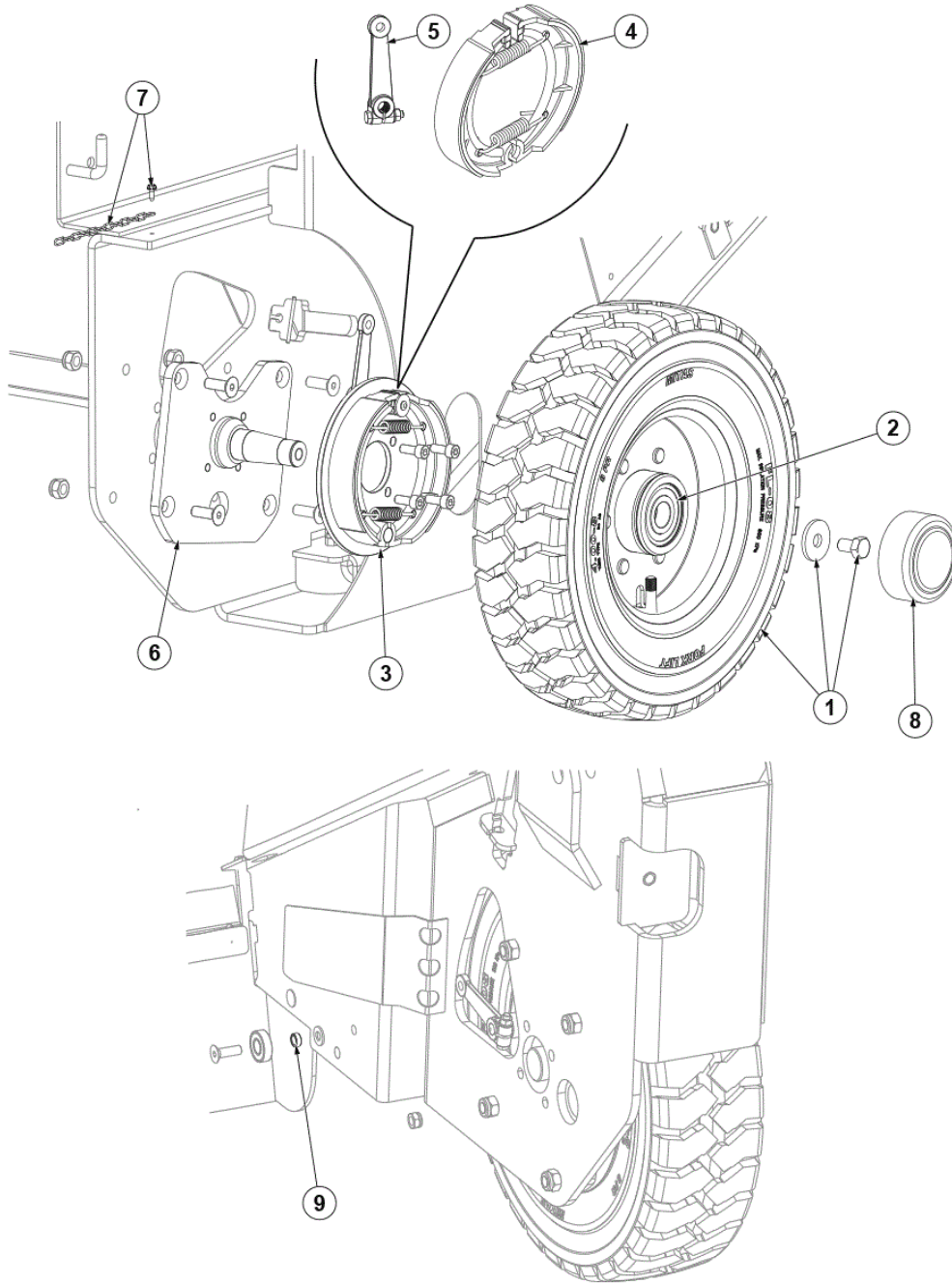
PL BRAKE PEDAL ASSY

SW5500 B NIL

2018.04.05

2018.04.05

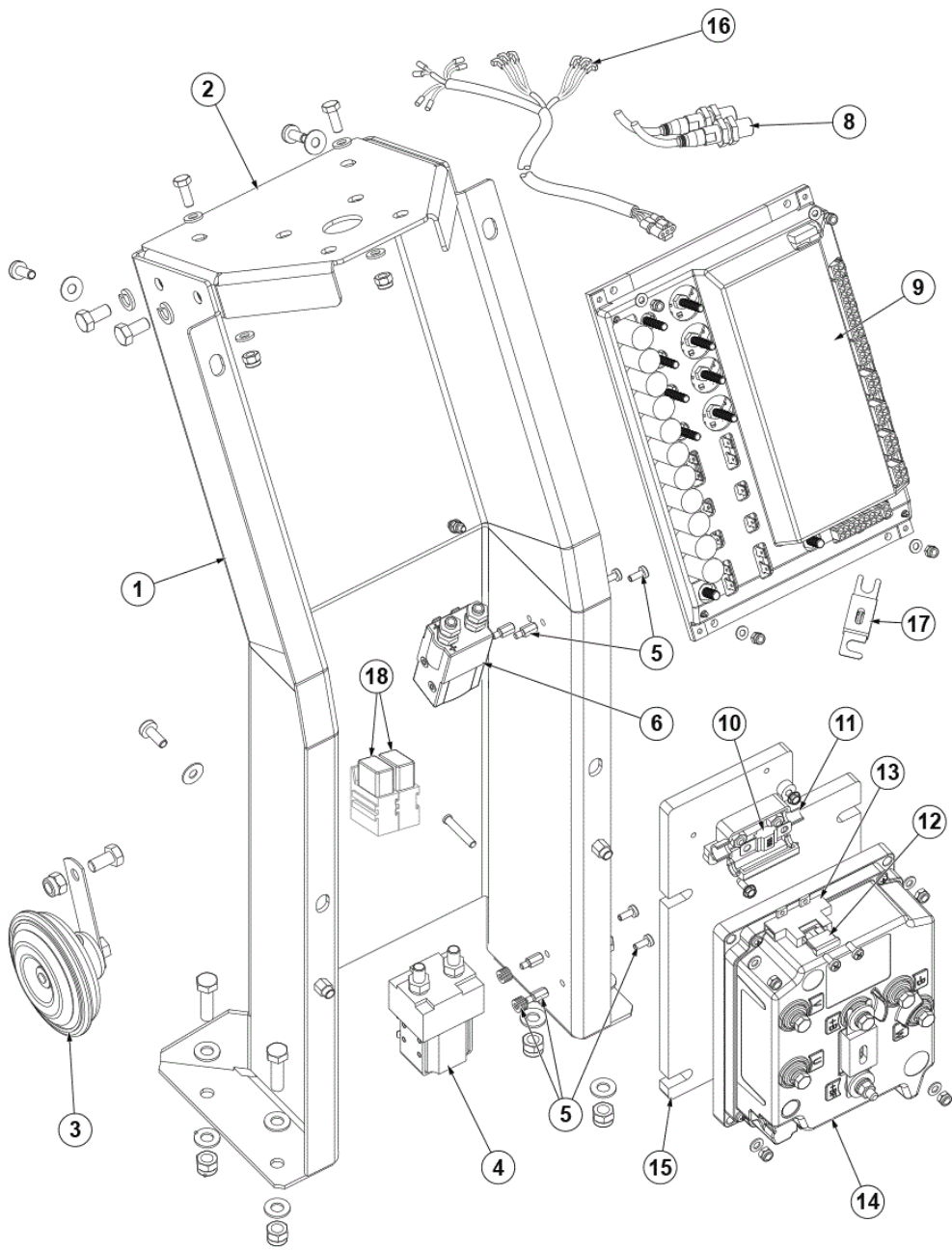
Pos.	Product no	QTY	Description	Notes
1	1467599000	1	PEDAL F BRAKE KIT	
2	1466591000	1	ANTI-SLIP SURFACING BLACK 50X95MM KIT	
3	1466654000	1	BUSHING F BRAKE PEDAL KIT	
4	1467046000	1	SPRING EXTENSION D.E.18 WIRE D.2 SIP	
5	1467039000	1	SPRING TRACTION CARBON STEEL SIP	
6	1466660000	1	PEDAL PARKING BRAKE KIT	
7	1466877000	1	SPACER FLANGED D.54X14 H.10.2 GALV.SIP	
8	1466659000	1	PLATE MET. BLACK F BRAKE PEDAL SUPP. SIP	
9	1467598000	1	TIE ROD PRIMARY BRAKE SIP	
10	1466657000	1	PLATE GALV. F BRAKES BALANCING SIP	
11	1466655000	1	WIRE F RT BRAKE SIP	
12	1466656000	1	WIRE F LT BRAKE SIP	
13	1466661000	1	HARDWARE F BRAKE PEDAL KIT	



Pos.	Product no	QTY	Description	Notes
1	1466587000	1	WHEELS FOAMED 4.00-8 CPL KIT	
1	1466588000	1	WHEELS SOLID 4.00-8 NON MARKING CPL KIT	[1]
1	1466860000	1	WHEELS SOLID 4.00-8 CPL KIT	[1]
2	33023318	2	BEARING AND SPACER F 5.00-8 WHEEL KIT	
3	33020205	2	DRUM BRAKE KIT	
4	1467066000	2	SHOE BRAKE SIP	
5	1467244000	2	LEVER F DRUM BRAKE SIP	
6	1467060000	2	SUPPORT FRONT WHEEL PHOS. SIP	
7	1466586000	1	CHAIN GROUND L.160MM KIT	
8	1467021000	1	CAP 2 PCS SET	
9	1467026000	1	SPACER D.8X12 H.5 ZNT SIP	

Part Notes:

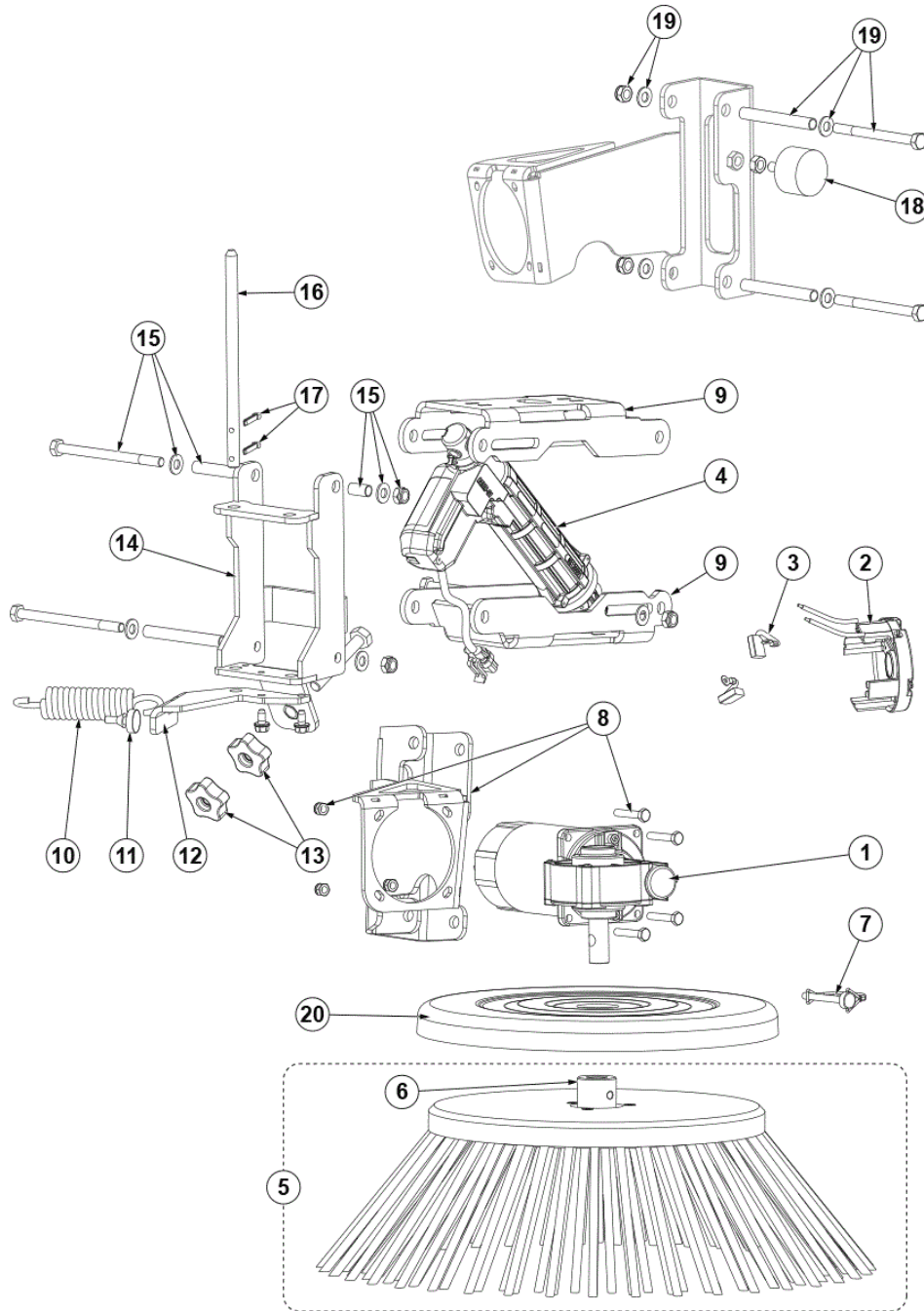
[1] - OPTIONAL



Pos.	Product no	QTY	Description	Notes
1	1466648000	1	COLUMN METALLIC BLACK F STEERING SIP	
2	1466651000	1	PLATE UPPER STEERING COLUMN MET. SIP	
3	1467032000	1	HORN 24V 112DB SIP	
4	1466644000	1	CONTACTOR 24V 200A SIP	
5	1466643000	1	HARDWARE F HIGH CONTACTOR FIXING KIT	
6	1466645000	1	CONTACTOR 24V 100A SIP	
8	1467062000	2	SWITCH BACK UP PROXIMITY SIP	
9	9100001879	1	CONTROLLER MAIN MACHINE KIT	[1]
10	1466652000	1	FUSE BOLT DOWN 150A SIP	
11	1465073000	1	HOLDER FUSE KIT	
12	1467034000	1	FUSE BLADE 10A SIP	
13	1467035000	1	HOLDER FUSE THERMOPL.UL 94-V0 SIP	
14	1466649000	1	CONTROLLER DRIVE WHEEL 24V 240A A.C. SIP	
15	1466650000	1	PLATE TRAC. BOARD HEAT SINK ALLUM. SIP	
16	1467551000	1	HARNESSE STEERING COLUMN SIP	
17	1467241000	1	FUSE BOLT-DOWN 160A SIP	
18	146 1646 000	2	RELAY 24V	

Part Notes:

- [1] - SEE TSB-FC-2017-064
DE TSB-FC-2017-064 SW5500 Hauptsteuerungsfehler G7



PL RIGHT BROOM ASSY

SW5500 B NIL

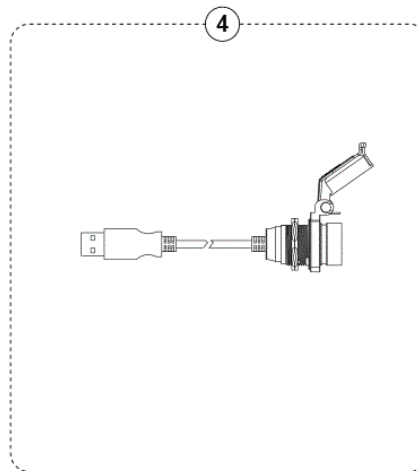
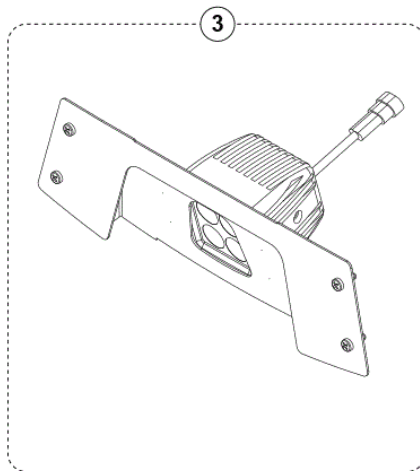
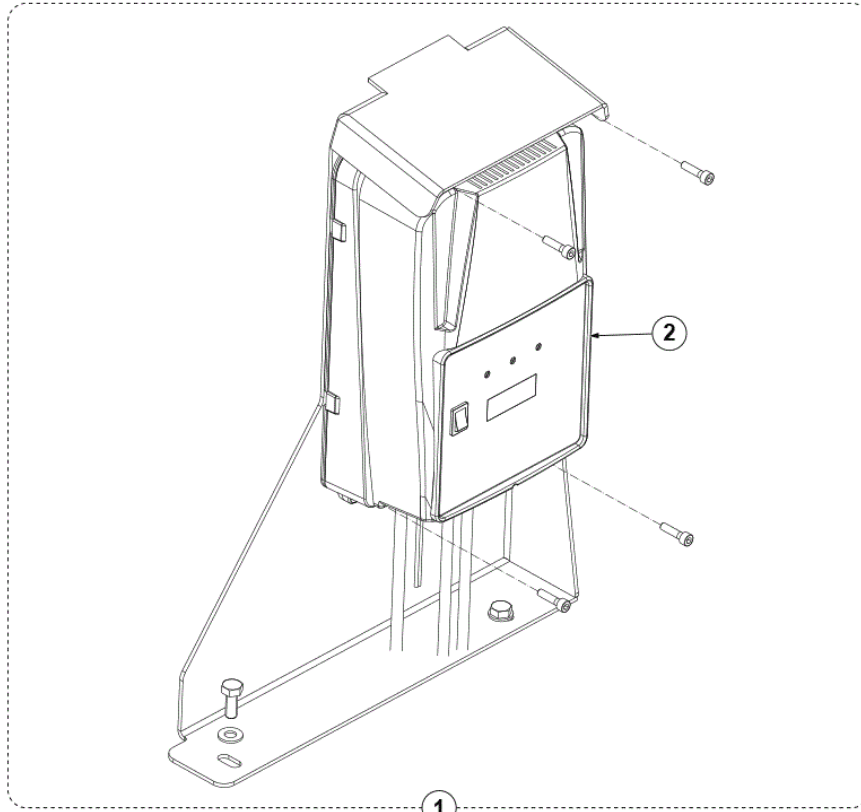
2018.04.05

2018.04.05

Pos.	Product no	QTY	Description	Notes
1	1466668000	1	MOTOR GEARBOX 24VDC 120W RT BROOM SIP	
2	1467215000	1	CAP F MOTOR BRUSHES SIP	
3	1467083000	1	CARBON BRUSH 2 PCS SET	
4	1466663000	1	ACTUATOR LINEAR 24V DC STRK 45MM SIP	
5	1466670000	1	BROOM SIDE 302X500 PPL 1.5 BLACK	
5	1466936000	1	BROOM SIDE 302X500 MIX STEEL	[1]
5	1467076000	1	BROOM SIDE 302X500 MIX 5	[1]
6	1466859000	1	HUB F SIDE BROOM SIP	
7	1467070000	1	PIN D.10 GALV. W/CLIP SIP	
8	1466667000	1	BRACKET MET. BLACK F RT GEARBOX SUPP KIT	
9	1466662000	2	ARM MET. BLACK F SIDE BROOM SUPP. SIP	
10	1467071000	1	SPRING EXTENTION D.E.30 WIRE D.5 SIP	
11	1467006000	1	PLUG ANTI VIBRATION D.8-D.20 10 PCS SET	
12	1466665000	1	PLATE SIDE BROOM STOP SIP	
13	1467036000	2	KNOB LOBES M10 FEMALE SIP	
14	1466671000	1	SUPPORT MET. BLACK F SIDE BROOM SIP	
15	1466675000	1	HARDWARE F SIDE BROOM SUPPORT KIT	
16	1466676000	1	PIN GALV. F SIDE BROOM SIP	
17	1467005000	1	PIN SPLIT 4X25 UNI1336 10 PCS SET	
18	1467047000	1	BUMPER M8 D.40X25MM SIP	
19	1466673000	1	HARDWARE F RT GEARBOX BRACKET SUPP. KIT	
20	1466669000	1	COVER PLASTIC SIDE BROOM PROTECT. SIP	

Part Notes:

[1] - OPTIONAL



PL ACCESSORIES - CHARGER BATT. ONBOARD - LIGHT FRONT - USB PORT

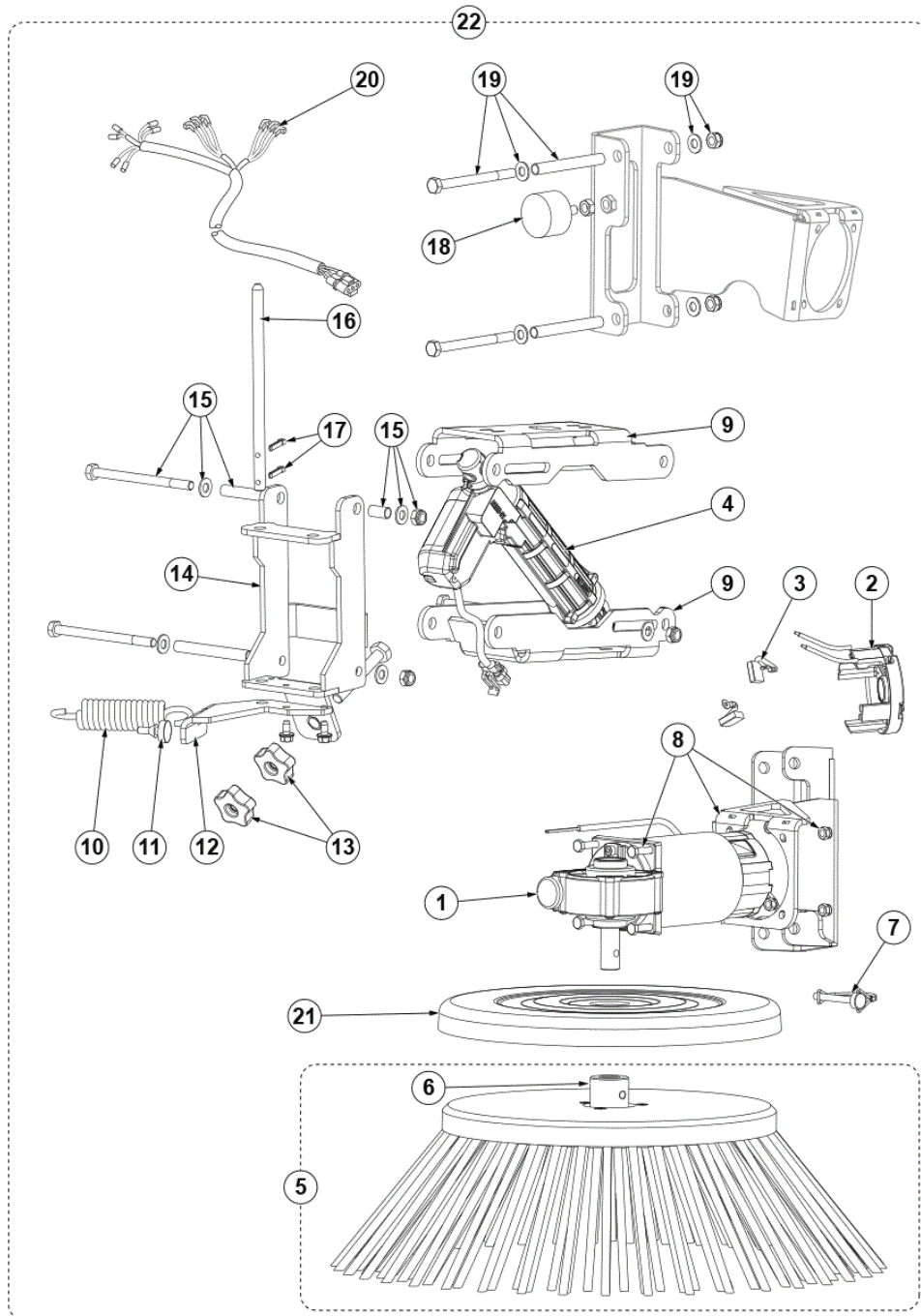
SW5500 B NIL

2018.04.05
2018.04.05

Pos.	Product no	QTY	Description	Notes
1	1466893000	1	CHARGER BATT. O/B 24V-40A 230V KIT	[1]
2	1466923000	1	CHARGER ON BOARD 24V 40A 230V SIP	
3	1466889000	1	LIGHT FRONT KIT	[2]
4	1466247000	1	USB PORT KIT	[3]
5	1466947000	1	CABLE POWER SUPPLY UK L.3000MM SIP	[4]
6	1466318000	1	CABLE EXTENSION UK PLUG L.2000MM SIP	[4]
7	9100000787	1	CABLE EXTENSION EU PLUG L.2000MM SIP	[4]

Part Notes:

- [1] - OPTIONAL - INST. INTR. 1466904000
- [2] - OPTIONAL - INST. INTR. 1466899000
- [3] - OPTIONAL - INST. INTR. 1466896000
- [4] - OPTIONAL - NOT SHOWN



PL LEFT BROOM ASSY

SW5500 B NIL

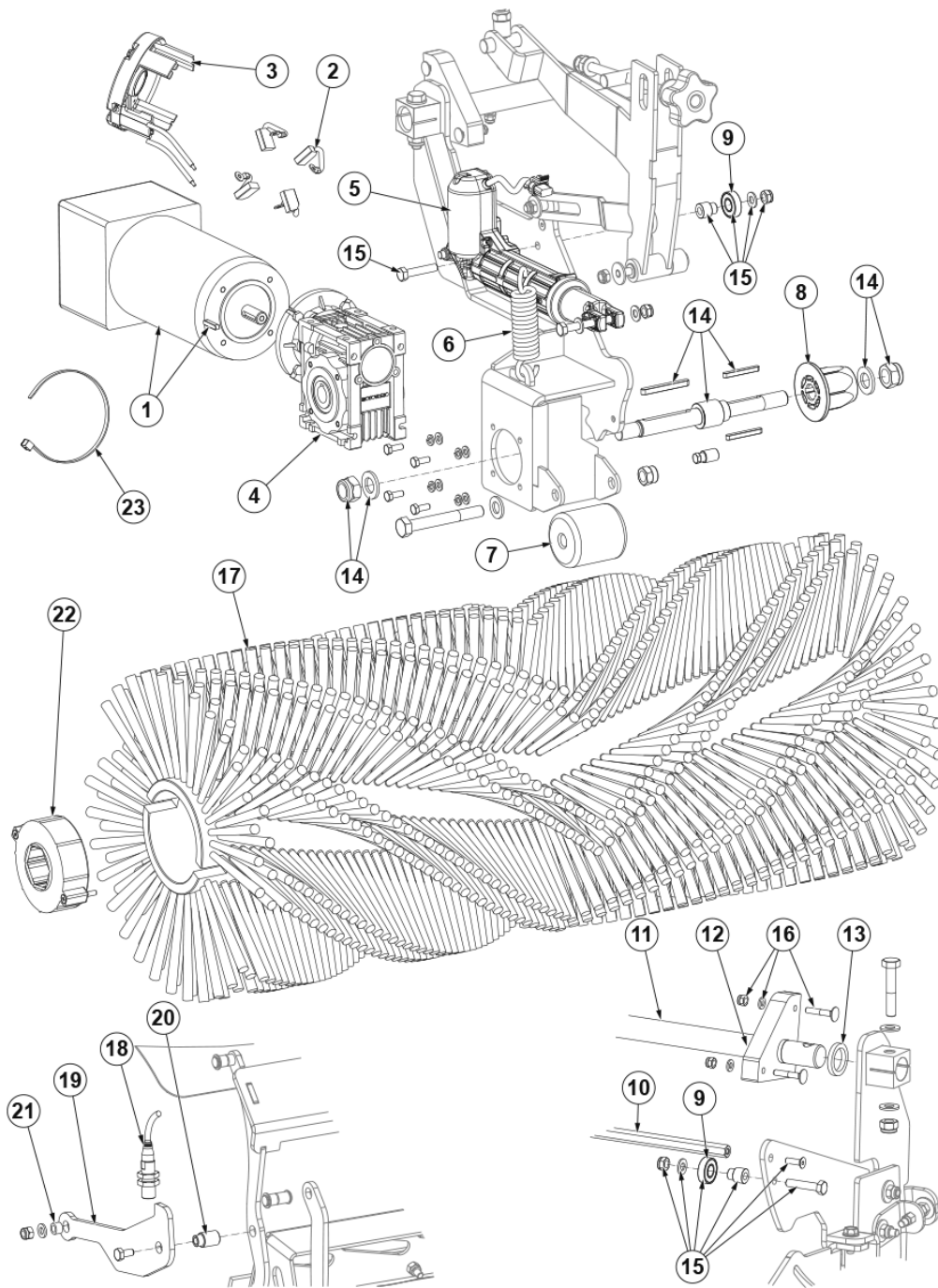
2018.04.05

2018.04.05

Pos.	Product no	QTY	Description	Notes
1	1466674000	1	MOTOR GEARBOX 24VDC 120W LT BROOM SIP	
2	1467215000	1	CAP F MOTOR BRUSHES SIP	
3	1467083000	1	CARBON BRUSH 2 PCS SET	
4	1466663000	1	ACTUATOR LINEAR 24V DC STRK 45MM SIP	
5	1466670000	1	BROOM SIDE 302X500 PPL 1.5 BLACK	
5	1466936000	1	BROOM SIDE 302X500 MIX STEEL	[1]
5	1467076000	1	BROOM SIDE 302X500 MIX 5	[1]
6	1466859000	1	HUB F SIDE BROOM SIP	
7	1467070000	1	PIN D.10 GALV. W/CLIP SIP	
8	1466666000	1	BRACKET MET. F LT GEARBOX SUPP. KIT	
9	1466662000	2	ARM MET. BLACK F SIDE BROOM SUPP. SIP	
10	1467071000	1	SPRING EXTENTION D.E.30 WIRE D.5 SIP	
11	1467006000	1	PLUG ANTI VIBRATION D.8-D.20 10 PCS SET	
12	1466665000	1	PLATE SIDE BROOM STOP SIP	
13	1467036000	2	KNOB LOBES M10 FEMALE SIP	
14	1466671000	1	SUPPORT MET. BLACK F SIDE BROOM SIP	
15	1466675000	1	HARDWARE F SIDE BROOM SUPPORT KIT	
16	1466676000	1	PIN GALV. F SIDE BROOM SIP	
17	1467005000	1	PIN SPLIT 4X25 UNI1336 10 PCS SET	
18	1467047000	1	BUMPER M8 D.40X25MM SIP	
19	1466672000	1	HARDWARE F LT GEARBOX BRAKET SUPP. KIT	
20	1467555000	1	HARNESS F LT SIDE BROOM SIP	
21	1466669000	1	COVER PLASTIC SIDE BROOM PROTECT. SIP	
22	1466888000	1	BROOM LEFT SIDE PPL 1.5 KIT	[2]

Part Notes:

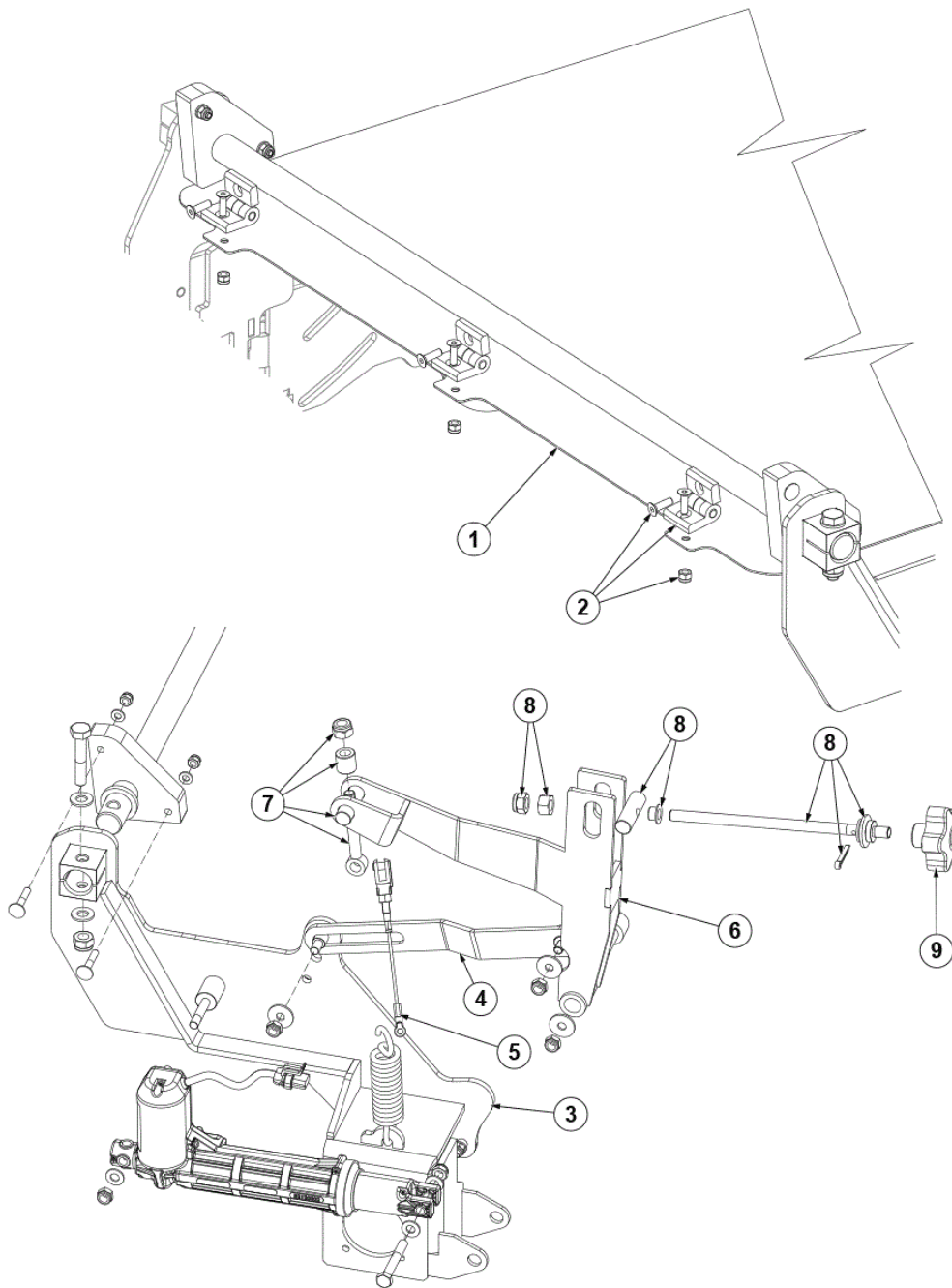
- [1] - OPTIONAL
- [2] - OPTIONAL - INST. INSTR. 1466898000



Pos.	Product no	QTY	Description	Notes
1	1466946000	1	MOTOR 24V 1250W 3800 RPM IP44 MP80L KIT	
2	L08603949	1	CARBON BRUSH 4 PCS SET	
3	1467184000	1	CAP F MP80L MOTOR BRUSHES SIP	
4	1466691000	1	GEAR BOX 7.5/1 71 B14 SIP	
5	1466663000	1	ACTUATOR LINEAR 24V DC STRK 45MM SIP	
6	1467071000	1	SPRING EXTENTION D.E.30 WIRE D.5 SIP	
7	1467069000	1	ROLLER SIDE BLADE SIP	
8	1467056000	1	HUB MAIN BROOM PLAST. SIP	
9	44905699	2	BEARING BALL 6001 2RS SIP	
10	1466689000	1	SHAFT HEX REINFORCE F MAIN BROOM SIP	
11	1466693000	1	SHAFT GALV. MAIN BROOM SIP	
12	1466694000	2	SUPPORT PLASTIC F MAIN BROOM SHAFT KIT	
13	1466695000	2	SPACER PLASTIC F MAIN BROOM SHAFT KIT	
14	1466690000	1	SHAFT F MAIN BROOM KIT	
15	1466688000	1	SUPPORT F MOVABLE GUIDE KIT	
16	1466692000	2	HARDWARE F MAIN BROOM SUPPORT KIT	
17	1465717000	1	BROOM MAIN 360X850 8R PPL 0.8	
17	1465730000	1	BROOM MAIN 360X850 8R MIX STEEL WHITE	[1]
17	1465731000	1	BROOM MAIN 360X850 8R PPL 1 BLACK	[1]
18	1467062000	1	SWITCH BACK UP PROXIMITY SIP	
19	1466705000	1	PLATE LINKING GALV. F FRONT SKIRT SIP	
20	1466865000	1	PIN D10/13 GALV. SIP	
21	1467037000	1	SPACER D.6.1X10 H.6.5 BRASS SIP	
22	1467525000	1	HUB CPL F MAIN BROOM KIT	[2]
23	1467025000	1	TIE CABLE 2.9x130 BLACK 10 PCS SET	

Part Notes:

- [1] - OPTIONAL
- [2] - FOR ALLMAIN BROOMS:1465717000 - 1465730000 - 1465731000



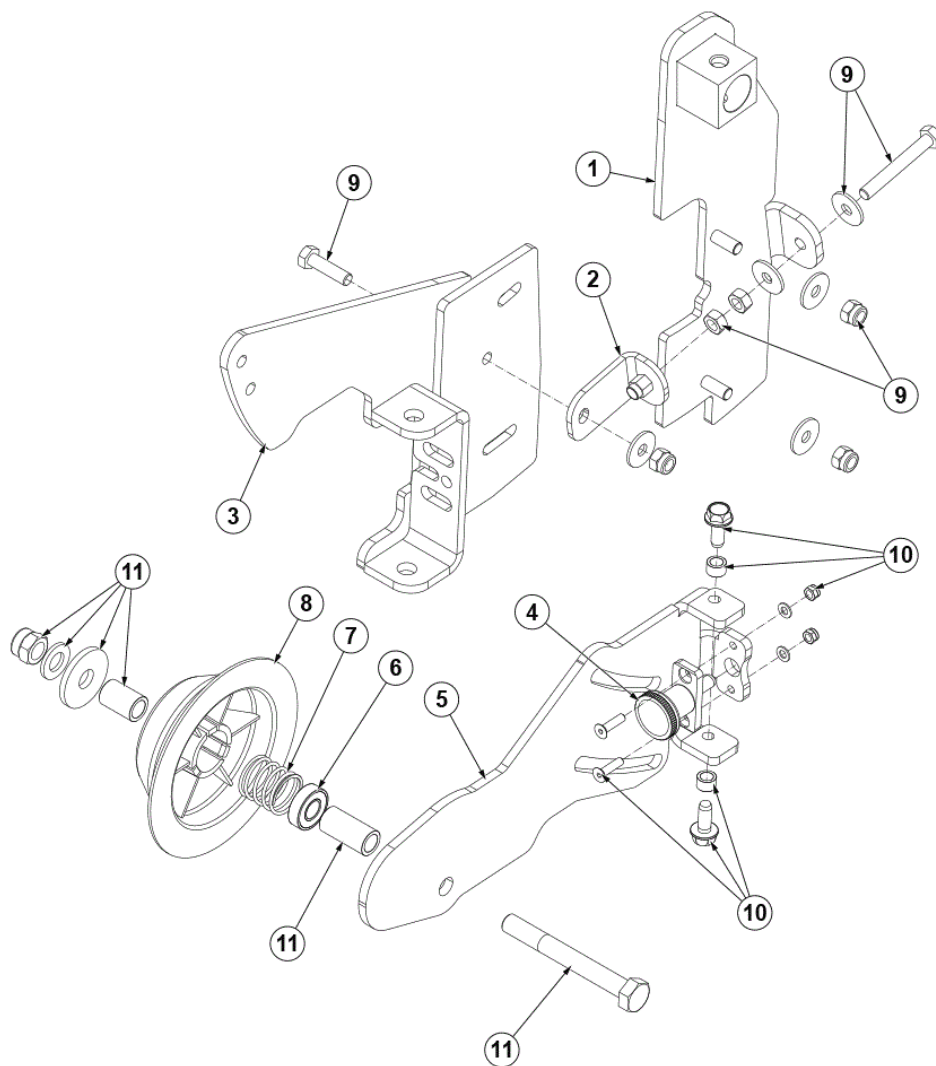
PL MAIN BROOM ADJUSTMENT

SW5500 B NIL

2018.04.05

2018.04.05

Pos.	Product no	QTY	Description	Notes
1	1466699000	1	PLATE GALV. MOBILE WALL SIP	
2	1466698000	3	HINGES F MOVABLE WALL KIT	
3	1467527000	1	ARM RT GALV. F MAIN BROOM SUPPORT SIP	
4	1466704000	1	LEVER GALV. F MAIN BROOM SUPPORT SIP	
5	1466697000	1	TIE-ROD METALLIC F BROOM SPRING SIP	
6	1466702000	1	LEVER GALV. F MAIN BROOM LIFTING SIP	
7	1466696000	1	ADJUSTING F MAIN BROOM SPRING KIT	
8	1466700000	1	SCREW F MAIN BROOM SETTING KIT	
9	1466701000	1	KNOB LOBES M10 F W/ORANGE CAP SIP	



PL LEFT ARM MAIN BROOM ASSY

SW5500 B NIL

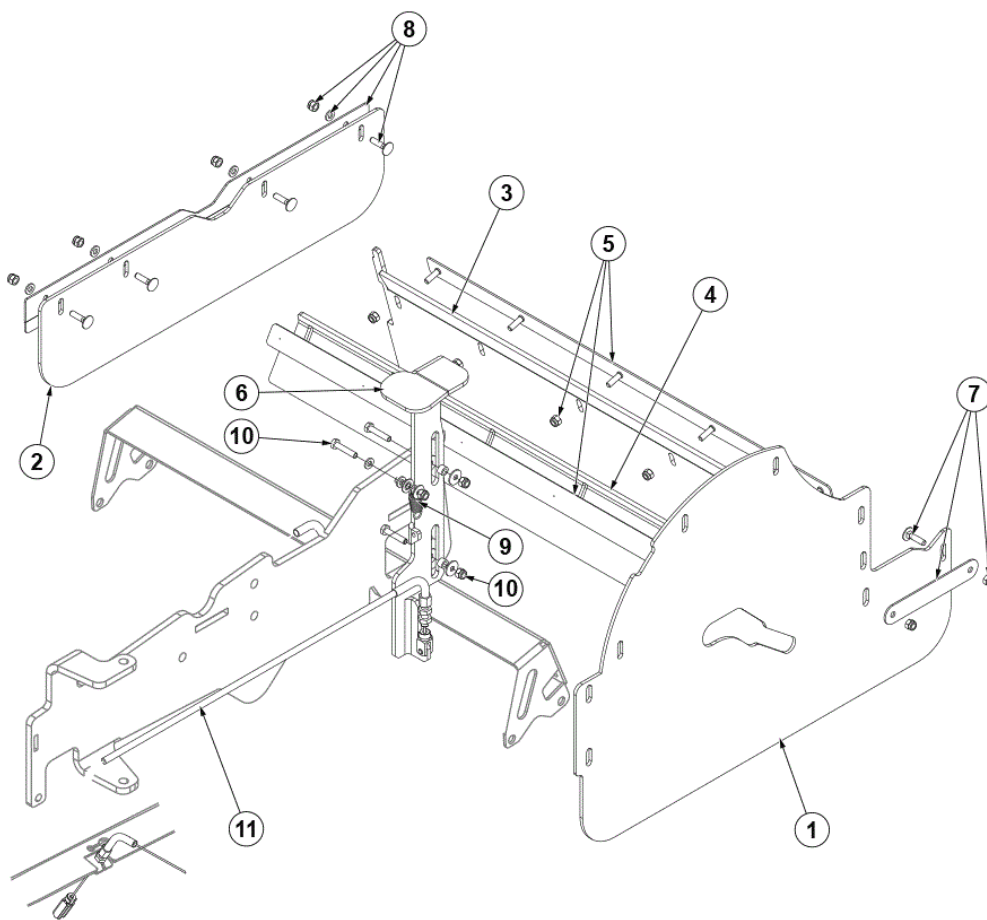
2018.04.05

2020.07.17

Pos.	Product no	QTY	Description	Notes
1	1466625000	1	ARM LT GALV. F MAIN BROOM FIXED SIP	
2	1466627000	1	PLATE GALV. F MAIN BROOM SETTING SIP	
3	1466626000	1	ARM LT GALV. F MAIN BROOM MOBILE SIP	
4	1466623000	1	PLUNGER INDEXING WITH FLANGE SIP	
5	1466621000	1	BRACKET GALV. F MAIN BR. INSPECTION SIP	
6	44905699	1	BEARING BALL 6001 2RS SIP	
7	1467024000	1	SPRING COMPRESSION D.E.26 WIRE D.2 SIP	
8	1467023000	1	HUB LT PLASTIC F MAIN BROOM SIP	
9	1466624000	1	HARDWARE F MAIN BROOM LT ARM KIT	
10	1466622000	1	HARDWARE F MAIN BR. INSPECT. BRACKET KIT	
11	1466620000	1	HARDWARE F IDLE HUB KIT	[1]

Part Notes:

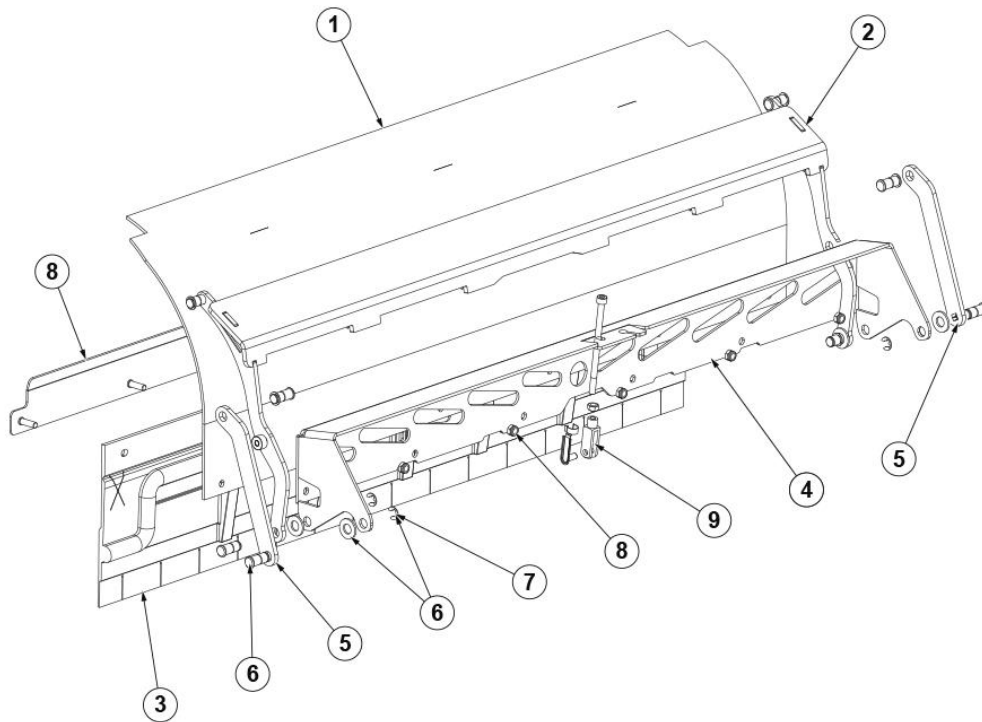
- [1] - TSB-FC-2019-035 SW5500 Main Broom Hub
DE TSB-FC-2019-035 SW5500 Verbesserte Hauptkehrwalzenführung



Pos.	Product no	QTY	Description	Notes
1	1466614000	1	SKIRT LT SIDE BLACK RUBBER SIP	
2	1466619000	1	SKIRT RT SIDE BLACK RUBBER SIP	
3	1466613000	1	SKIRT REAR PRIMARY BLACK RUBBER SIP	
4	1466616000	1	SKIRT REAR RECYCLING BLACK RUBBER SIP	
5	1466617000	1	PLATE GALV. F PRIMARY REAR SKIRT KIT	
6	1466611000	1	PEDAL GALV.F FRONT SKIRT RAISING SIP	[1]
6	1467575000	1	PEDAL GALV.F FRONT SKIRT RAISING SIP	[2]
7	1466615000	1	PLATE GALV. F LT SKIRT KIT	
8	1466618000	1	PLATE GALV. F RT SIDE SKIRT KIT	
9	1467039000	1	SPRING TRACTION CARBON STEEL SIP	
10	1466610000	1	HARDWARE F FRONT SKIRT PEDAL KIT	
11	1467577000	1	WIRE F FRONT SKIRT RAISING SIP	

Part Notes:

- [1] - Until S/N 3810172000033
- [2] - Starting from S/N 3810172000034



PL FRONT SKIRT ASSY

SW5500 B NIL

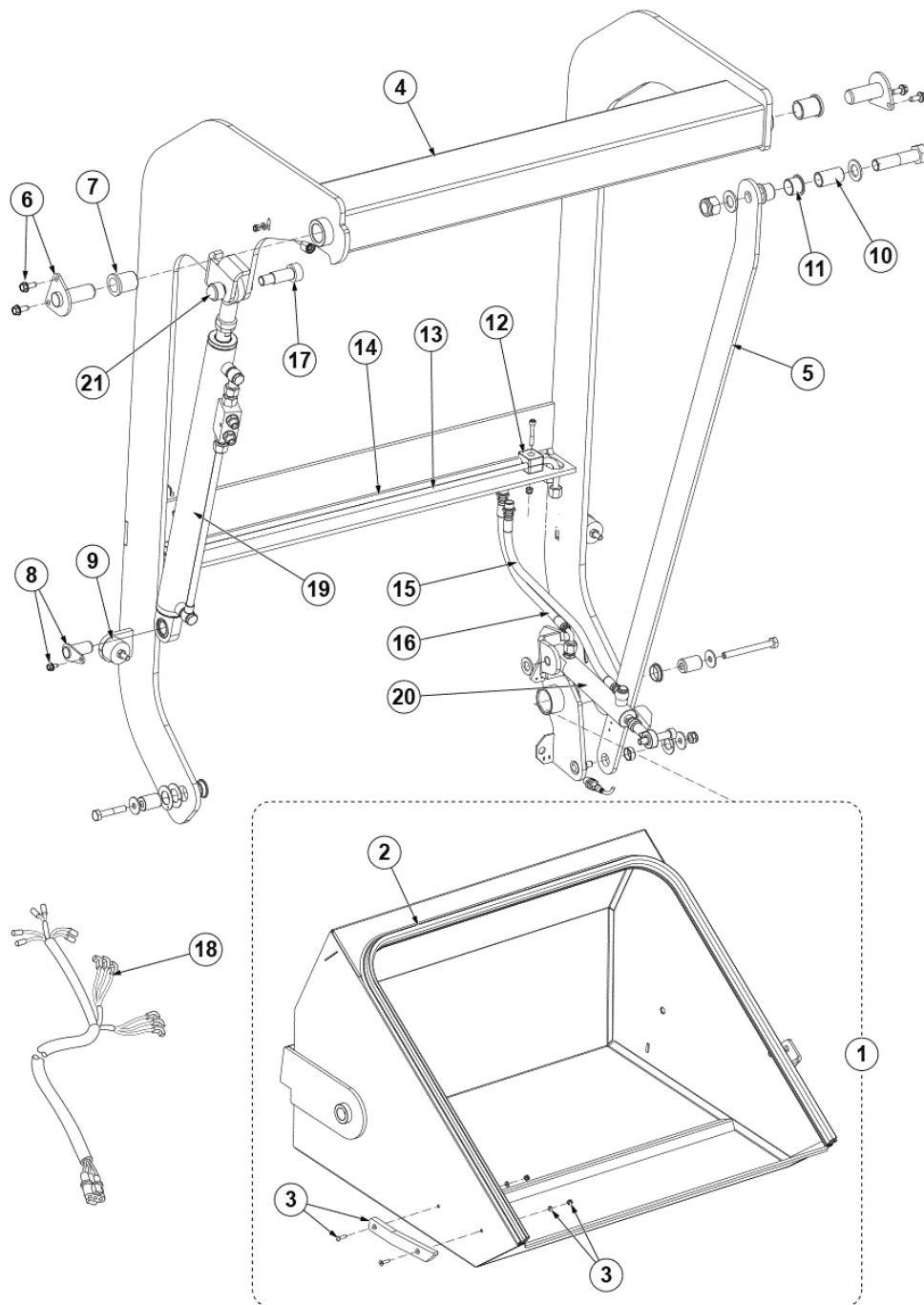
2018.04.05

2018.04.05

Pos.	Product no	QTY	Description	Notes
1	1466605000	1	WALL MOBILE LOWER BLACK RUBBER SIP	
2	1466609000	1	SUPPORT PRIMARY GALV. F FRONT SKIRT SIP	
3	1466606000	1	SKIRT FRONT OVERMOLDED BLACK RUBBER SIP	
4	1466603000	1	SUPPORT GALV. F FRONT SKIRT SIP	[1]
4	1467576000	1	SUPPORT GALV. F FRONT SKIRT SIP	[2]
5	1466604000	2	PLATE SECONDARY GALV. F FRONT SKIRT KIT	
6	1466607000	1	PINS D10 FRONT SKIRT SUPPORT FIXING KIT	
7	1466608000	1	SEEGER RING D.7 DIN6799 10 PCS SET	
8	1466602000	1	PLATE GALV. F FRONT SKIRT KIT	
9	1467176000	1	STOP F FRONT SKIRT KIT	

Part Notes:

- [1] - Until S/N 3810172000033
- [2] - Starting from S/N 3810172000034



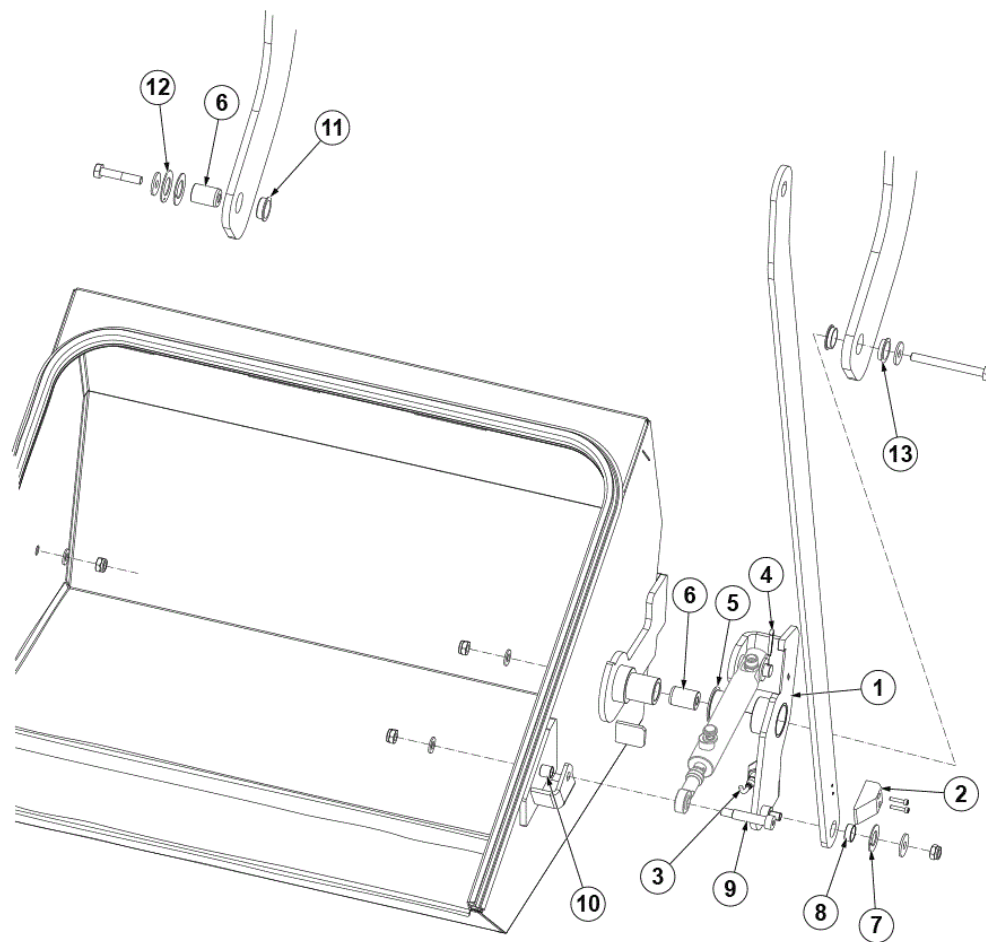
PL LIFTING HOPPER ASSY

SW5500 B NIL

2018.04.05

2018.04.05

Pos.	Product no	QTY	Description	Notes
1	1466718000	1	HOPPER WASTE CPL KIT	
2	1466862000	1	GASKET DOUBLE BULB RUBBER L.2020MM SIP	
3	1466861000	1	CAM PLASTIC F HOPPER POSITIONING KIT	
4	1466715000	1	ARM PRIMARY F HOPPER LIFTING BLACK SIP	
5	1466716000	1	ARM SECONDARY MET. F HOPPER LIFTING SIP	
6	1466713000	2	PIN PIVOTING F HOPPER ARM KIT	
7	1467045000	2	BEARING FLANGE MFM-2532-40 SIP	
8	1466714000	1	PIN F LIFTING CYLINDER KIT	
9	1467047000	2	BUMPER M8 D.40X25MM SIP	
10	1466719000	1	SPACER D.20X25 H.44.5 PHOS. SIP	
11	1466720000	1	BEARING FL.IGLIDUR GFM-2528-21 2 PCS SET	
12	1466717000	3	CLAMP TWIN D.10 PLASTIC BLUE 3 PCS SET	
13	1466728000	1	HOSE SEMI RIGID D.10 HOPPER DUMPING SIP	
14	1466729000	1	HOSE SEMI RIGID D.10 HOPPER RECALL SIP	
15	1466730000	1	HOSE HYDRAULIC 1/4 R1AT L.550MM SIP	
16	1466731000	1	HOSE HYDRAULIC 1/4 R1AT L.490MM SIP	
17	1467018000	1	SCREW SHOULDER 20X40 M16 2 PCS SET	
18	1467553000	1	HARNES HOPPER SIP	
19	1466790000	1	CYLINDER HYDRAULIC 40/25/470 CPL KIT	
20	1466723000	1	CYLINDER HYDRAULIC 25/16/120 CPL KIT	
21	1466732000	1	CAP PLASTIC BLACK F HEXAGON 24MM SIP	



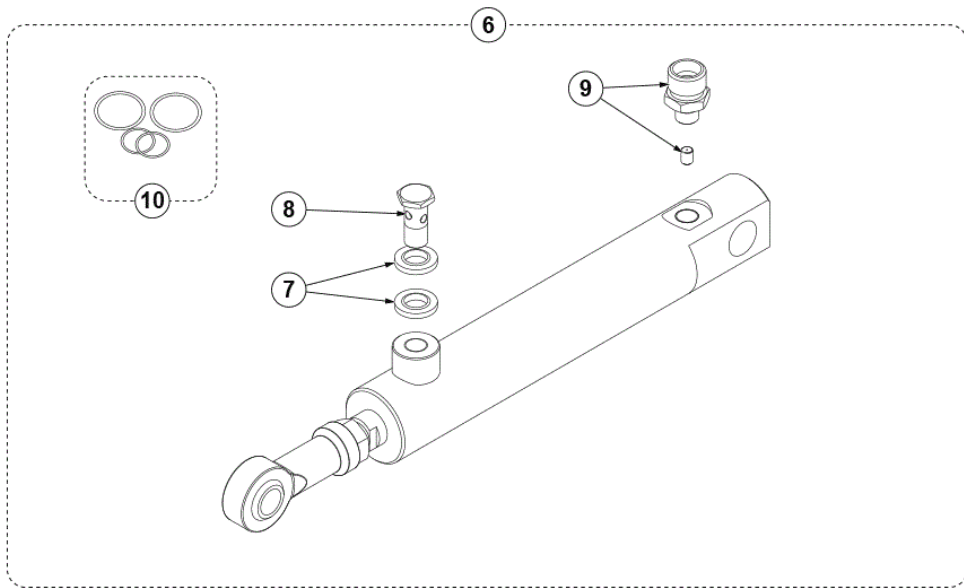
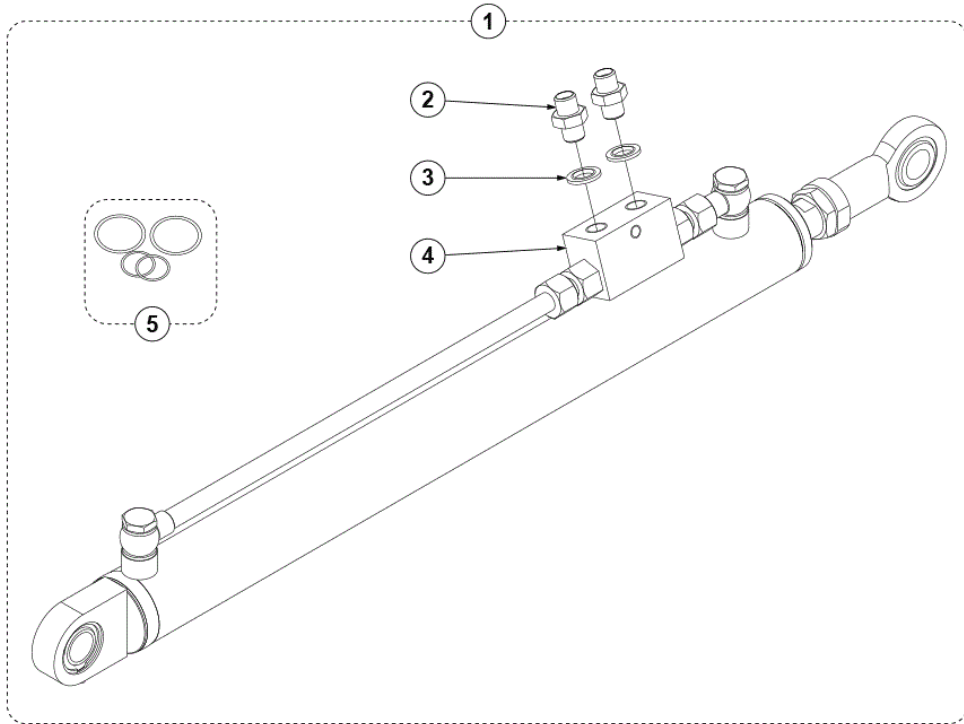
PL LIFTING HOPPER ASSY 2

SW5500 B NIL

2018.04.05

2018.04.05

Pos.	Product no	QTY	Description	Notes
1	1466722000	1	BRACKET MET. F LIFTING ARMS JOINT SIP	
2	1466724000	1	BLOCK PLASTIC F LIFTING ARM GUIDE SIP	
3	1467062000	1	SWITCH BACK UP PROXIMITY SIP	
4	1467005000	1	PIN SPLIT 4X25 UNI1336 10 PCS SET	
5	1466721000	1	BEARING FLANGE IGLIDUR GFM-3539-36 SIP	
6	1467043000	1	PIN HOPPER PHOS. SIP	
7	1467017000	1	WASHER THRUST GTM 2036-015 2 PCS SET	
8	1466726000	1	BEARING FLANGE IGLIDUR GSM-2022-08 SIP	
9	1467019000	1	SCREW SHOULDER 12X45 M10 2 PCS SET	
10	1466725000	1	SPACER D.12.5X15 H.14 BLACK PLAST. SIP	
11	1467044000	3	BEARING FLANGE GFM-2427-10 SIP	
12	1467016000	1	WASHER THRUST GTM 2442-015 2 PCS SET	
13	1466727000	1	BEARING FL.IGLIDUR GFM-2427-07 2 PCS SET	



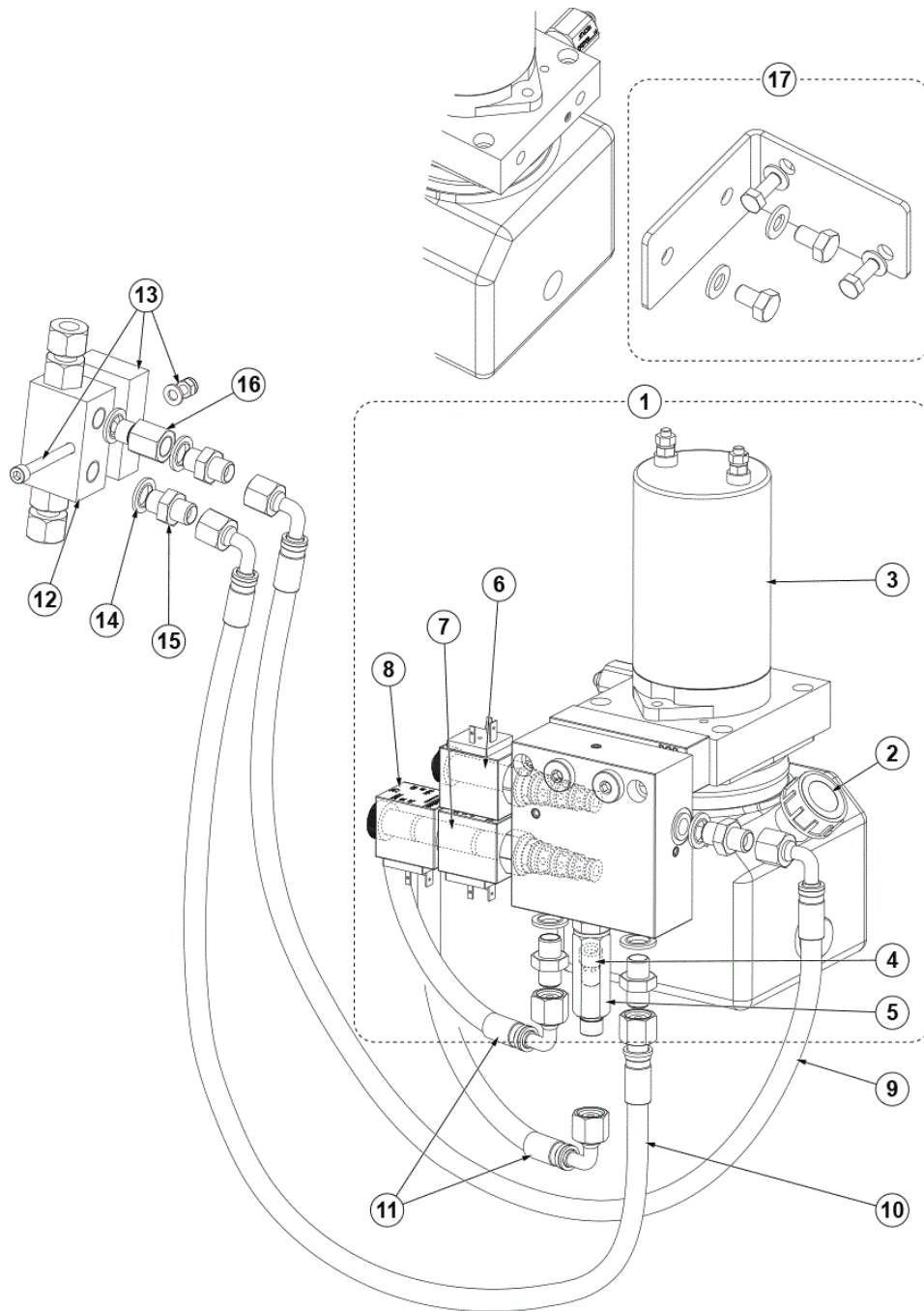
PL CYLINDERS ASSY

SW5500 B NIL

2018.04.05

2018.04.05

Pos.	Product no	QTY	Description	Notes
1	1466790000	1	CYLINDER HYDRAULIC 40/25/470 CPL KIT	
2	1467011000	1	NIPPLE 1/4 4 PCS SET	
3	1467007000	1	SEAL BONDED 1/4 10 PCS SET	
4	1467054000	1	VALVE BLOCK SIP	
5	1466553000	1	SEAL HYDRAULIC CYLINDER 40/25/470 KIT	
6	1466723000	1	CYLINDER HYDRAULIC 25/16/120 CPL KIT	
7	1467004000	1	SEAL BONDED 1/8 10 PCS SET	
8	1467015000	1	BANJO BOLT 1/8 L.22 SPEC. 2 PCS SET	
9	1466791000	1	FITTING 1/8 GAS WITH CAIBRATED DOWEL KIT	
10	1466552000	1	SEAL HYDRAULIC CYLINDER 25/16/120 KIT	



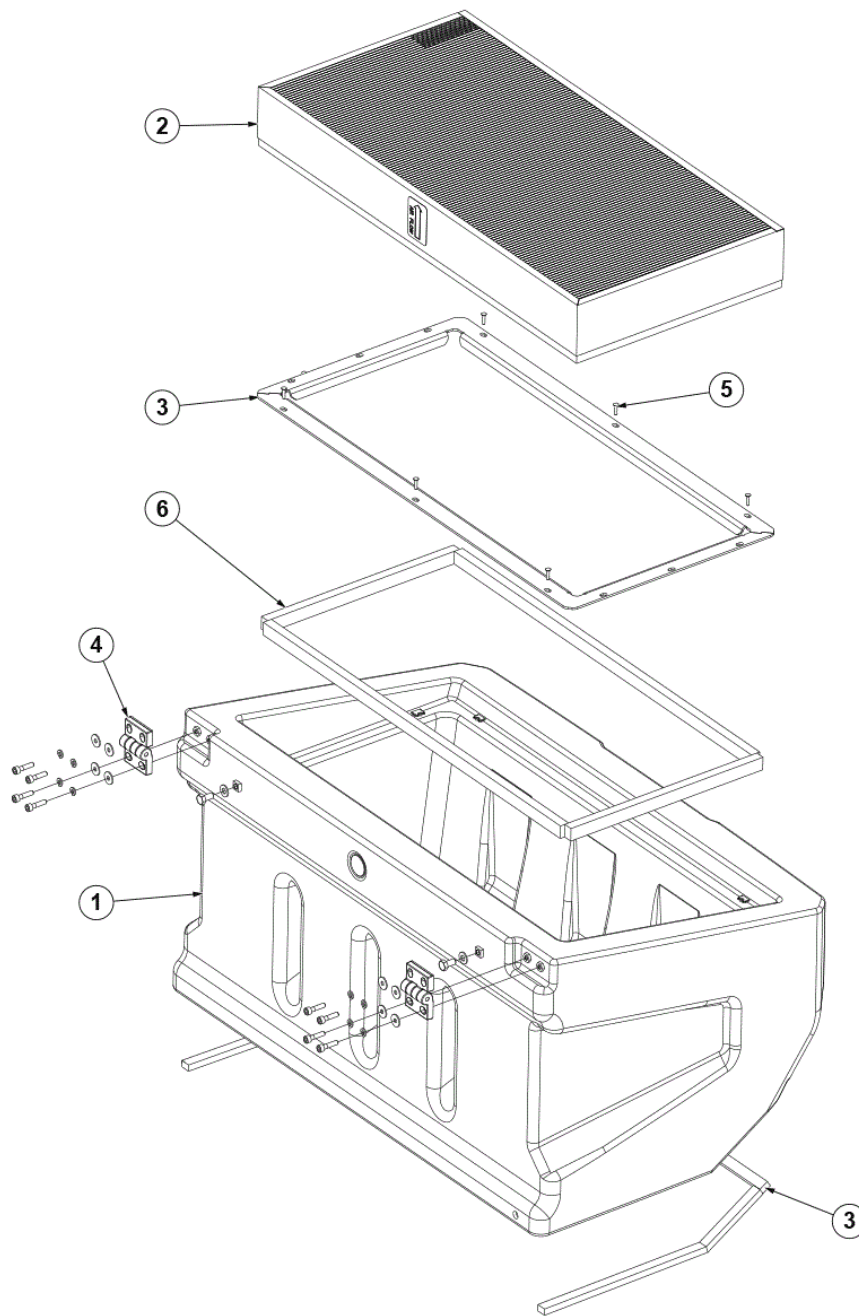
PL HYDRAULIC ASSY

SW5500 B NIL

2018.04.05

2018.04.05

Pos.	Product no	QTY	Description	Notes
1	1466712000	1	GEARCASE HYDRAULIC 24V 800W 1CC SIP	
2	1467213000	1	CAP PRESSURE D19 SIP	
3	1467242000	1	MOTOR ELECTRIC 24V 800W SIP	
4	1467209000	1	VALVE FLOW CONTROL 5L/MIN 1/4 GAS SIP	
5	1467243000	1	STUD BOLT M/F 1/4 BSP ES. 19 SIP	
6	1467211000	1	CARTRIDGE SOLENOID VALVE 4/2 SIP	
7	1467212000	1	CARTRIDGE SOLENOID VALVE 4/3 SIP	
8	1467210000	3	SOLENOID 24V 18W N-H13 SIP	
9	1466709000	1	HOSE HYDRAULIC 1/4 R1AT L.780MM SIP	
10	1466710000	1	HOSE HYDRAULIC 1/4 R1AT L.680MM SIP	
11	1466711000	2	HOSE HYDRAULIC 1/4 R1AT L.600MM SIP	
12	1467054000	1	VALVE BLOCK SIP	
13	1466707000	1	SPACER F VALVE PLASTIC BLACK KIT	
14	1467007000	1	SEAL BONDED 1/4 10 PCS SET	
15	1467011000	1	NIPPLE 1/4 4 PCS SET	
16	1467679000	1	ADAPTER M/F STRAIGHT 1/4 L.21MM HX19 SIP	
17	1466708000	1	BRACKET MET. F HYDRAULIC GEARCASE KIT	



PL FILTER SUPPORT ASSY

SW5500 B NIL

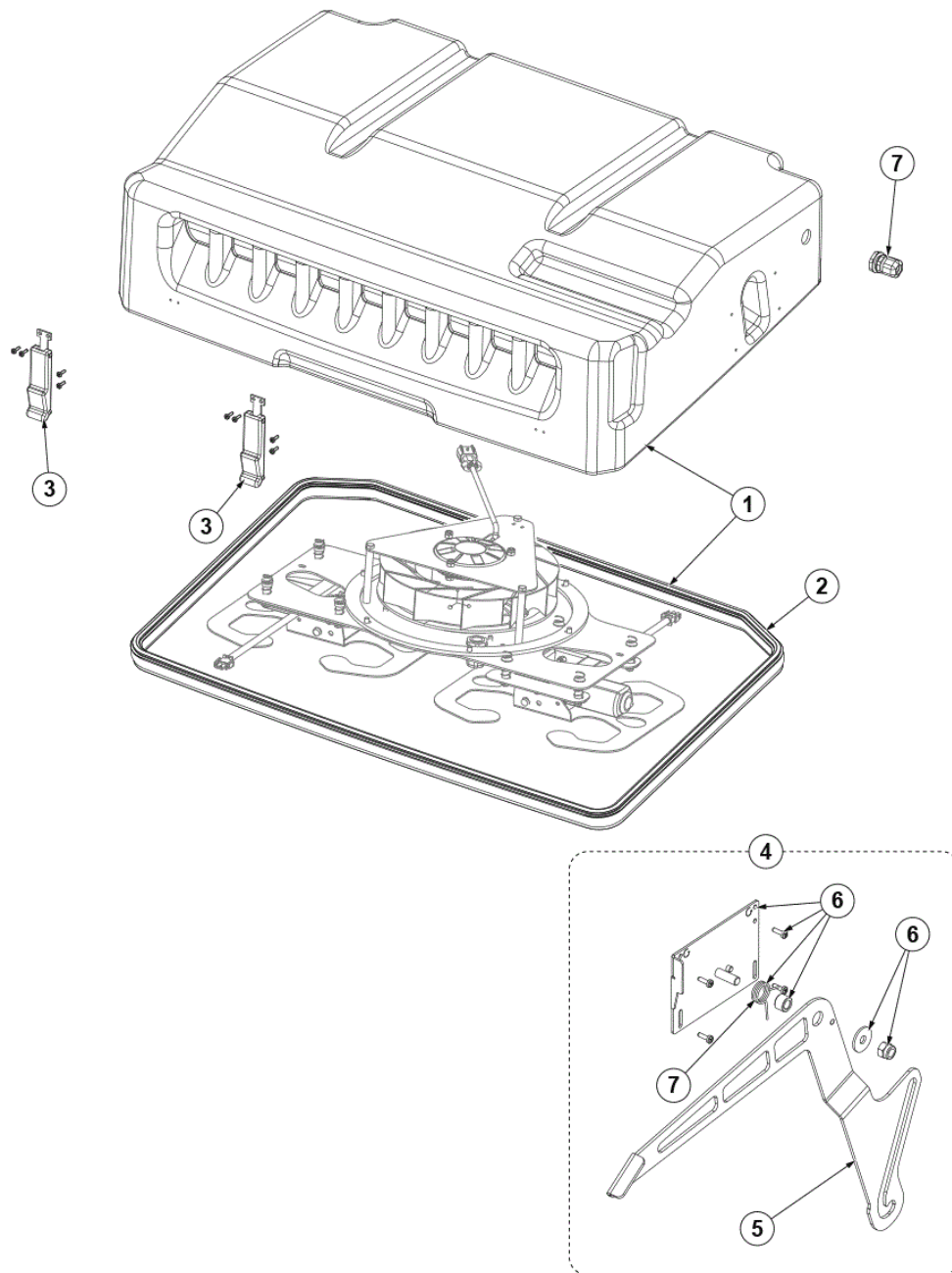
2018.04.05

2019.12.18

Pos.	Product no	QTY	Description	Notes
1	1466835000	1	SUPPORT PLASTIC BLACK F VAC FILTER KIT	
1	1466834000	1	TANK SUPPORT PLASTIC F VAC FILTER KIT	[1]
2	1467174000	1	FILTER PANEL PAPER ULTRA WEB	
2	1467173000	1	FILTER PANEL POLYESTER ULTRA WEB	[2]
3	1466836000	1	SUPPORT PLAIN GALV. F FILTER KIT	
4	9098329000	1	HINGES KIT	
5	9100003009	1	SCREW 3.9X22 SELF C/SUNK PH SS 10PCS SET	
5	1466908000	1	SCREW 3.5X16 C/SUNK PHIL F PC 10 PCS SET	
6	1467077000	1	GASKETS ADHESIVE 22X20 KIT	

Part Notes:

- [1] - ONLY FOR MODELS WITH THE DUSTGUARD KIT
- [2] - OPTIONAL



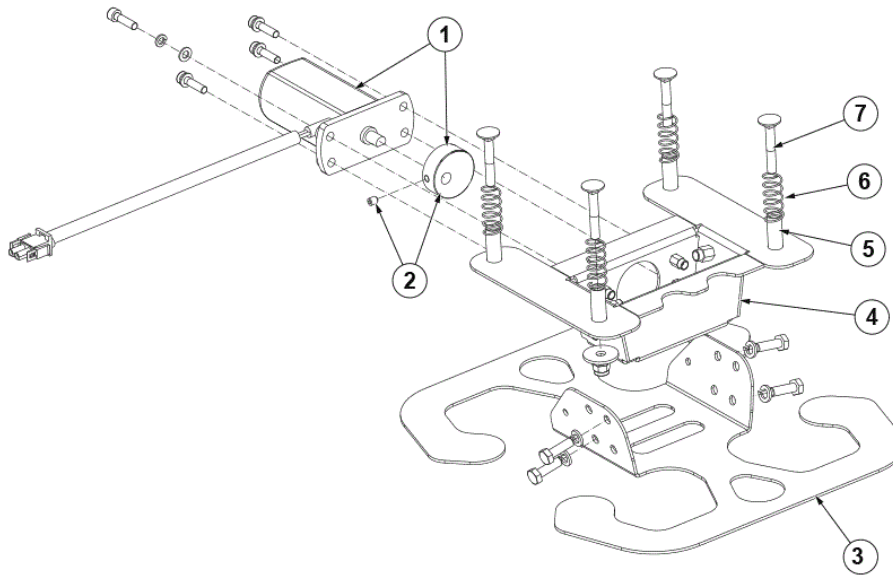
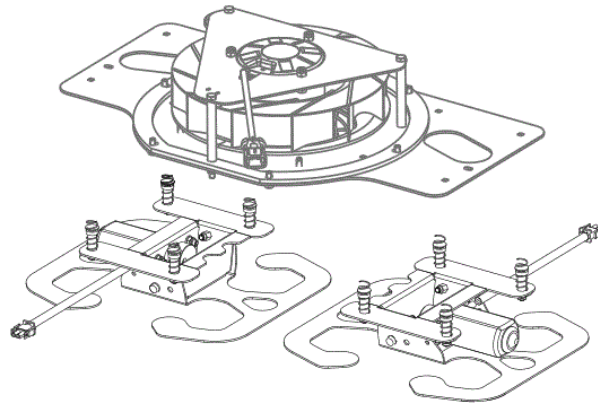
PL FAN SUPPORT ASSY

SW5500 B NIL

2018.04.05

2018.04.05

Pos.	Product no	QTY	Description	Notes
1	1466853000	1	SUPPORT PLASTIC GREY F FAN KIT	
2	1466855000	1	GASKET BULB RUBBER L.2390MM SIP	
3	1467042000	2	LATCH SOFT DRAW RUBBER SIP	
4	1466856000	1	LEVER F FAN HOLDER BLOCK KIT	
5	1466869000	1	LEVER GALV. F FAN HOLDER RETAINER SIP	
6	1466870000	1	PLATE GALV. F FAN HOLDER RETAINER KIT	
7	1467038000	1	SPRING TORSION WIRE D.1.5 D.I.16.5 SIP	
8	9100001779	1	GLAND CABLE PLASTIC W/NUT PG13.5 SIP	



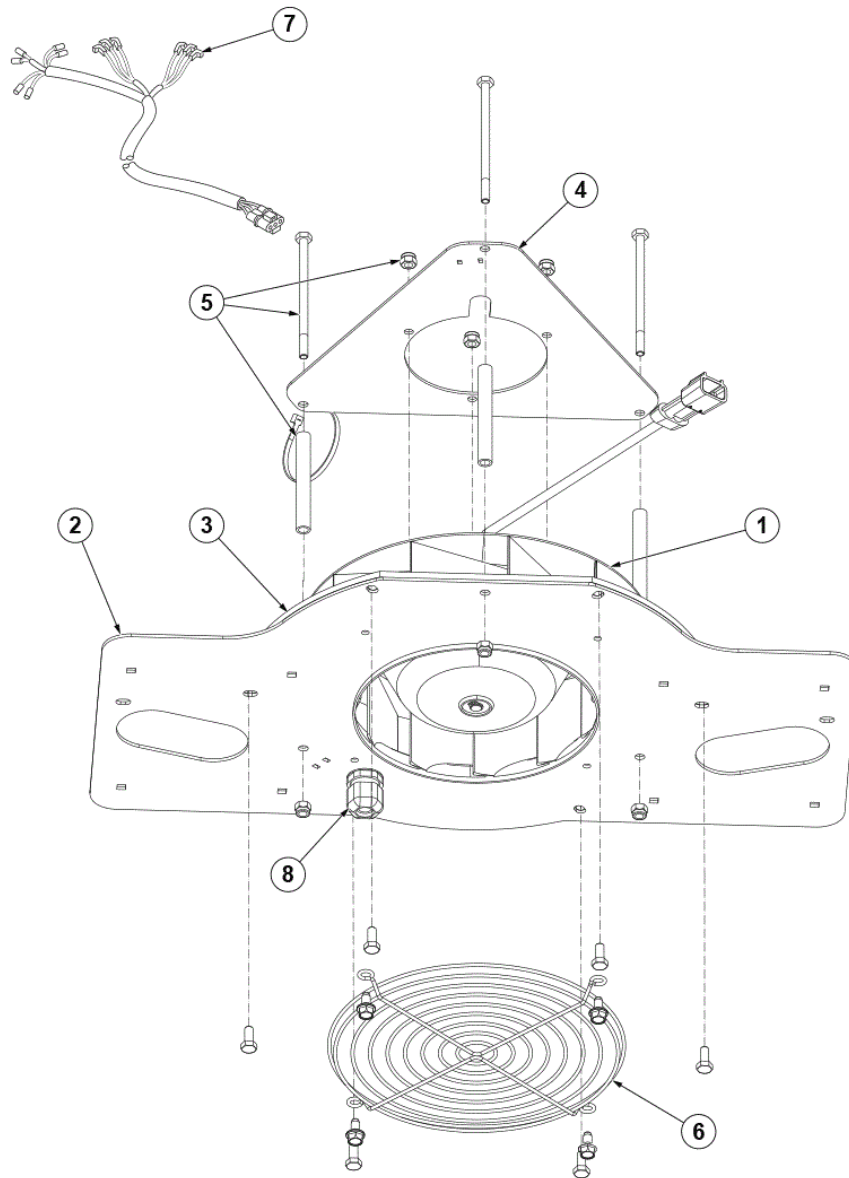
PL SHAKER FILTER ASSY

SW5500 B NIL

2018.04.05

2018.04.05

Pos.	Product no	QTY	Description	Notes
1	1466314000	2	MOTOR FILTER SHAKER 12W 24V KIT	
2	1466857000	2	CAM F FILTER SHAKER KIT	
3	1466879000	2	BRACKET GALV. F FILTER SHAKER SIP	
4	1466878000	2	SUPPORT GALV. F FILTER SHAKER MOTOR SIP	
5	1467010000	2	SPACER FL.D.6.25X10 H.26 GALV. 4 PCS SET	
6	1467009000	2	SPRING COMPRESS. D.E.13.5 4 PCS SET	
7	1467003000	1	SCREW M6X40 CARR. ISO8677 10 PCS SET	



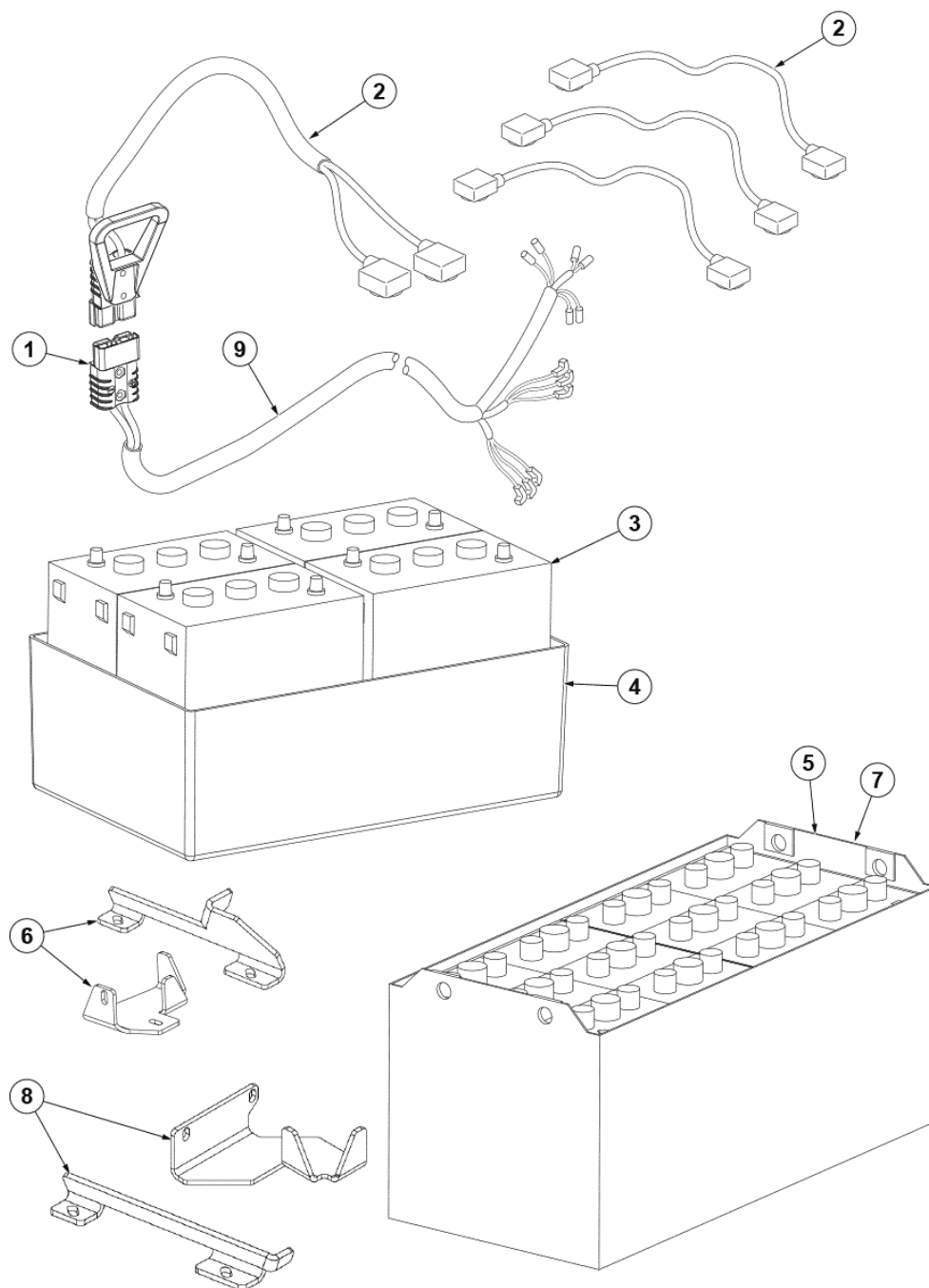
PL VACUUM FAN ASSY

SW5500 B NIL

2018.04.05

2018.04.05

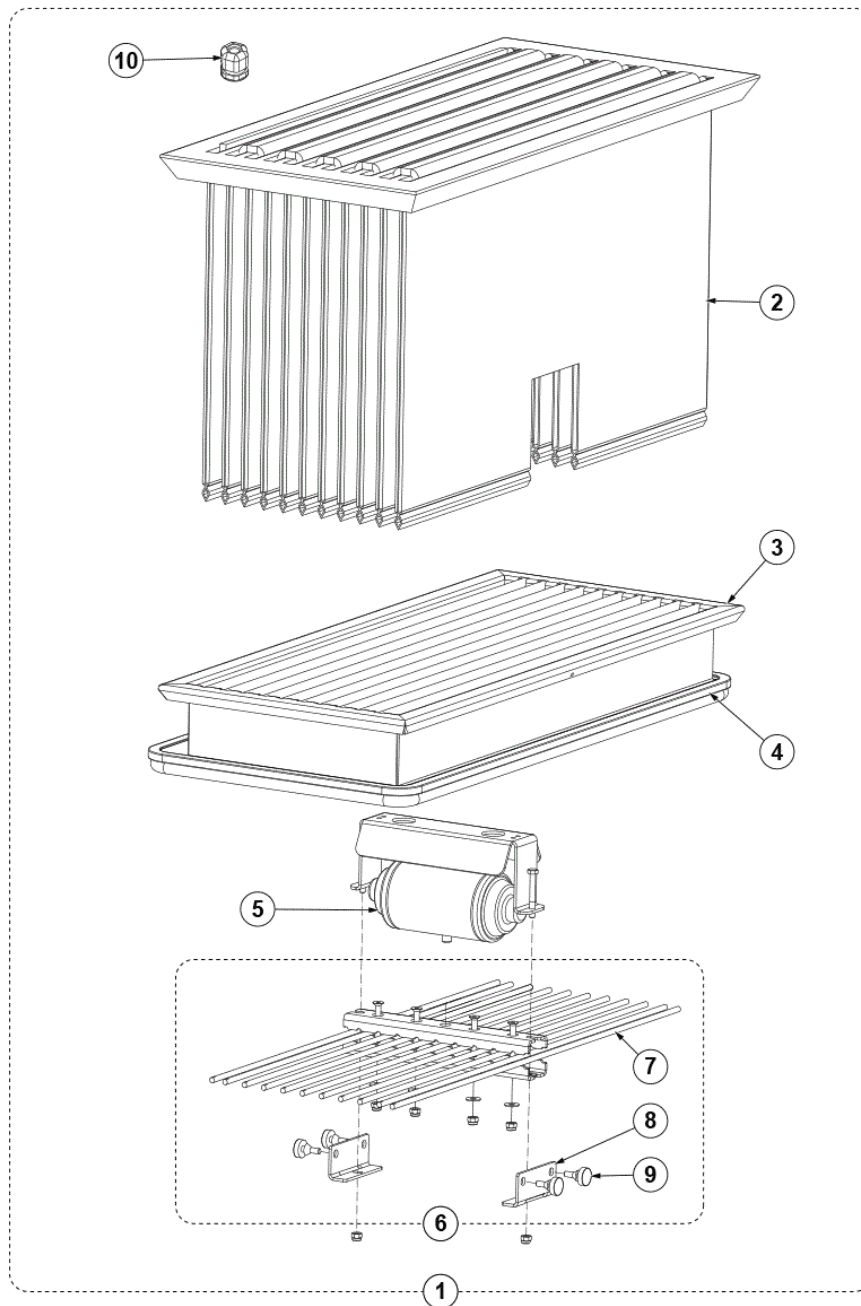
Pos.	Product no	QTY	Description	Notes
1	1467040000	1	FAN RADIAL 24V SIP	
2	1466866000	1	PLATE GALV. F FAN AND FILTER SHAKER SIP	
3	33023192	1	GASKET MOTOR VACUUM SIP	
4	1467061000	1	SUPPORT MOTOR VACUUM GALV. SIP	
5	1466868000	1	SPACERS CPL F VAC FAN KIT	
6	33018805	1	GRILL ELECTROFAN KIT	
7	1467552000	1	HARNESS F FILTER SHAKER AND FAN SIP	
8	9100001779	1	GLAND CABLE PLASTIC W/NUT PG13.5 SIP	



Pos.	Product no	QTY	Description	Notes
1	1467029000	2	CONNECTOR 175A RED SIP	
2	1467526000	1	HARNESS F BATTERY KIT	[1]
2	1467648000	3	HARNESS BATTERY US SIP	[2]
3	80564100	4	BATT. 6V-240AH GEL MONOBLOC	[3]
3	80565000	4	BATT. 6V-255AH WET SEMI T MONOBLOC	[3]
4	1467475000	1	BATTERY TRAY 630X420	[4]
5	80565300	1	BATT.24V-330AH GEL SINGLE CELLS IN TRAY	[3]
5	80565200	1	BATT.24V-360AH WET IN TRAY WITH AQUAMATI	[3]
6	1465750000	1	BATT. FIXING 330/360Ah BATTERY TRAY KIT	[5]
7	80562448	1	BATT.24V-480Ah WET in tray - Aquamatic	[3]
7	80562442	1	BATT.24V-420Ah GEL Single Cells in tray	[3]
8	1466420000	1	BATT. FIXING 420/480Ah BATTERY TRAY KIT	[6]
9	1466871000	1	HARNESS MACHINE BATTERY VERSION EU SIP	
9	1467292000	1	HARNESS MACHINE BATTERY VERSION US SIP	

Part Notes:

- [1] - FOR EU MODEL
- [2] - FOR US MODEL
- [3] - OPTIONAL
- [4] - OPTIONAL - USE FOR MONOBLOCK BATTERY
- [5] - OPTIONAL - USE SMALL STEEL TRAY
- [6] - OPTIONAL -USE FOR LARGE STEEL TRAY



PL ACCESSORIES - FILTER POCKET

SW5500 B NIL

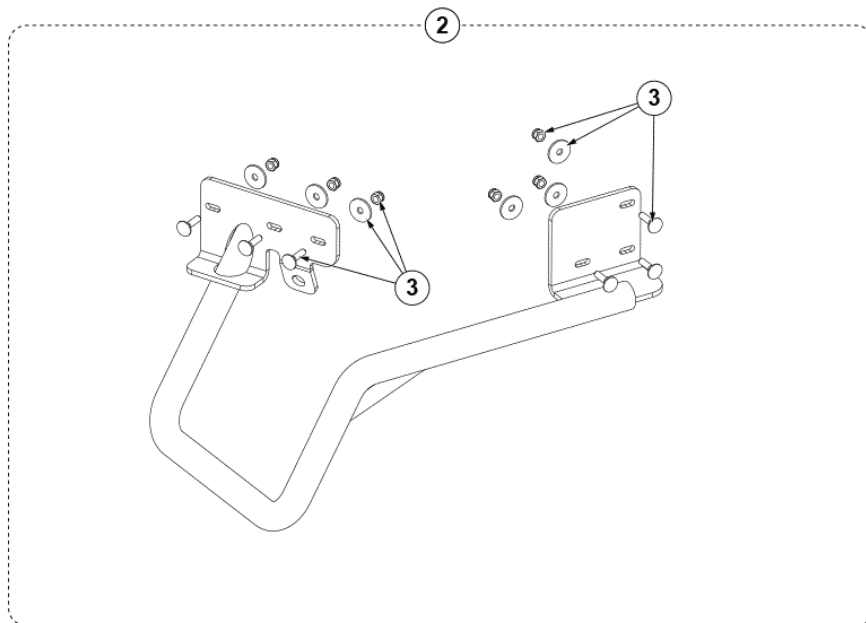
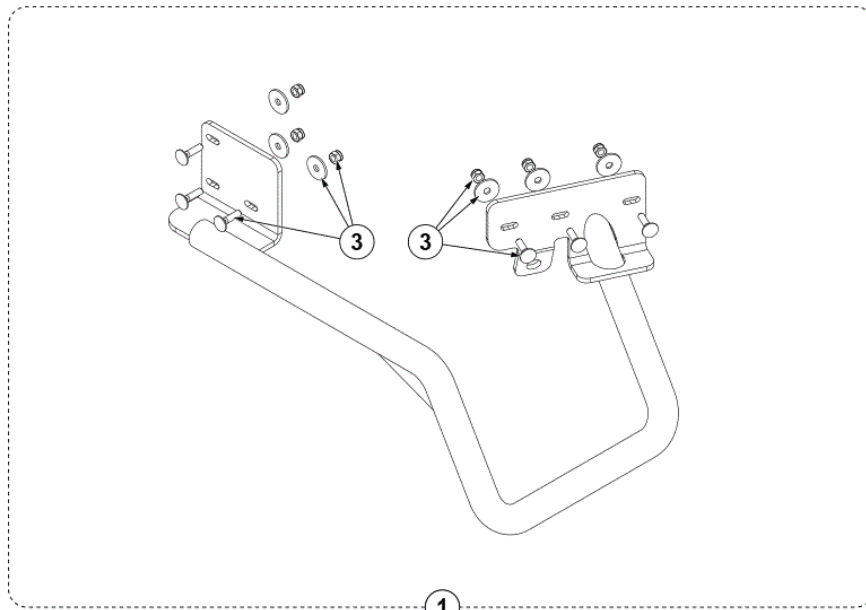
2018.04.05

2018.04.05

Pos.	Product no	QTY	Description	Notes
1	1466885000	1	FILTER POCKET KIT	[1]
2	1466917000	1	FILTER POCKET SIP	
3	1466918000	1	FRAME MET. BLACK F POCKET FILTER SIP	
4	1466919000	1	GASKET BULB REINFORCED L.2090MM SIP	
5	146 2795 000	1	MOTOR FILTER SHAKER KIT	
6	1466922000	1	HARDWARE POCKET FILTER RODS FIXING KIT	
7	1466920000	1	ROD MET. BLACK F POCKET FILTER KIT	
8	1466921000	1	HOLDER MET. F POCKET FILTER DAMPER KIT	
9	1467006000	1	PLUG ANTI VIBRATION D.8-D.20 10 PCS SET	
10	9100001779	1	GLAND CABLE PLASTIC W/NUT PG13.5 SIP	

Part Notes:

- [1] - ACCESSORY PRUNING 2020
OPTIONAL



PL ACCESSORIES - GUARD SIDE BROOM

SW5500 B NIL

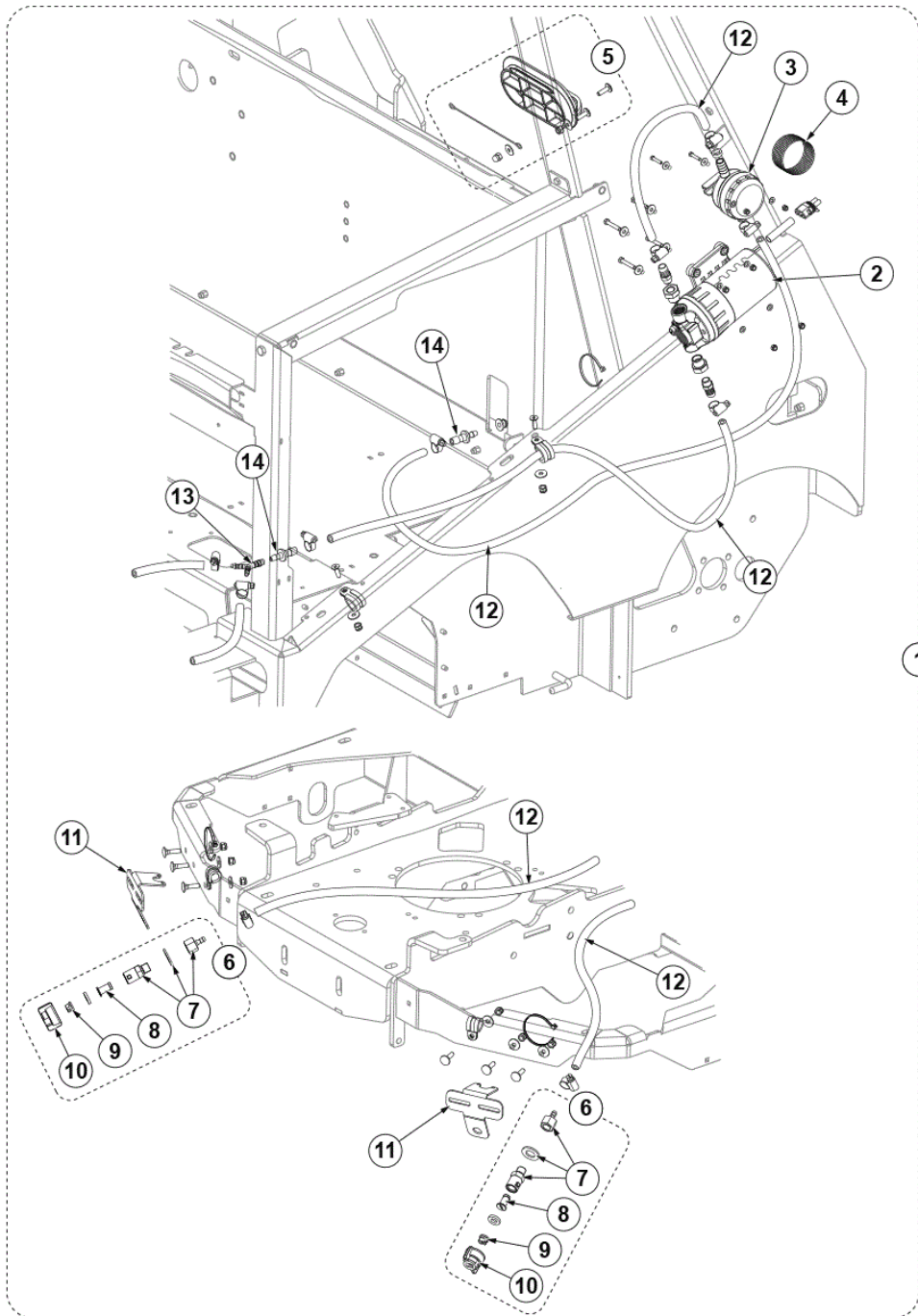
2018.04.05

2018.04.05

Pos.	Product no	QTY	Description	Notes
1	1466891000	1	GUARD RIGHT SIDE BROOM KIT	[1]
2	1466892000	1	GUARD LEFT SIDE BROOM KIT	[1]
3	1466927000	2	HARDWARE F SIDE BROOM GUARD KIT	

Part Notes:

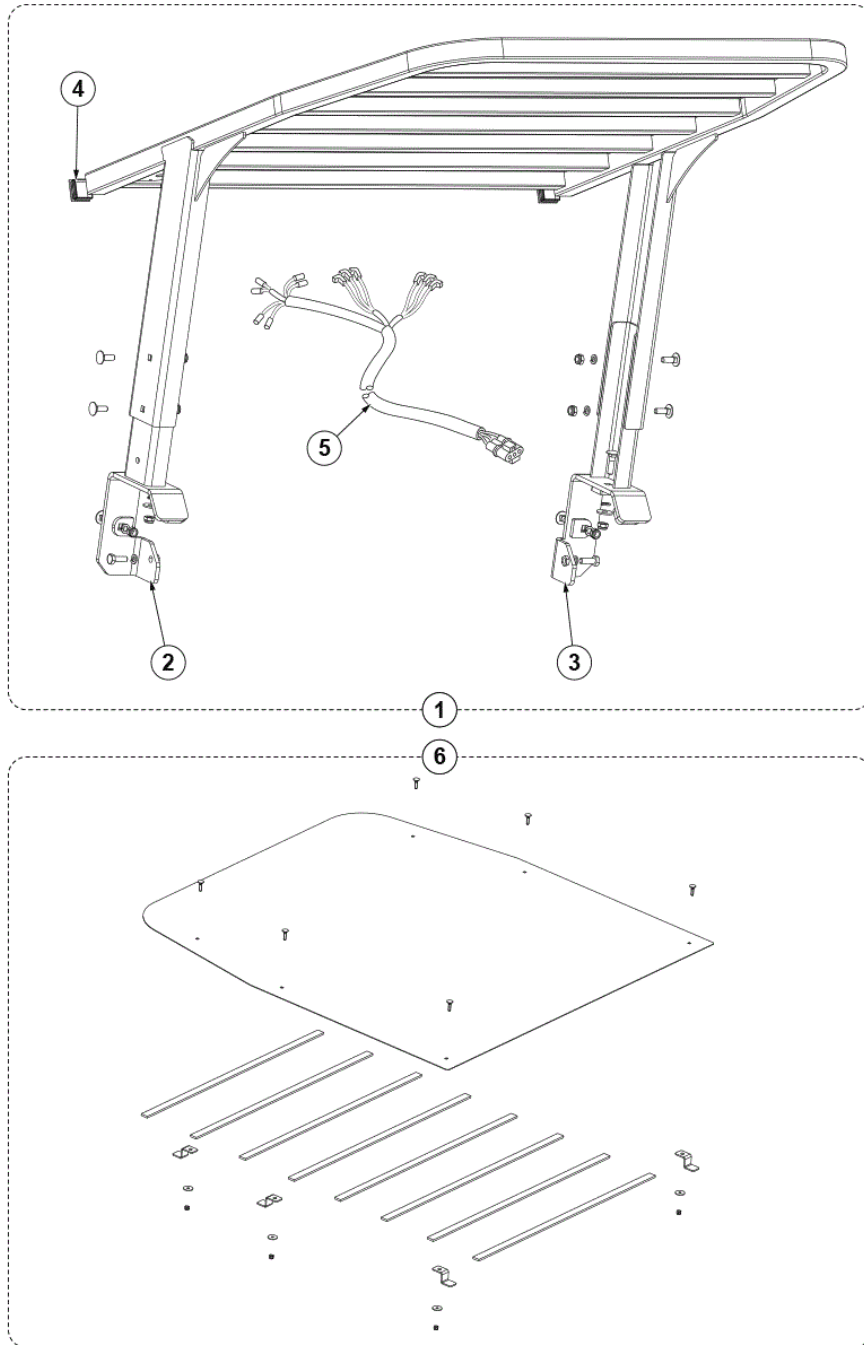
[1] - OPTIONAL - INST. INSTR. 1466901000



Pos.	Product no	QTY	Description	Notes
1	1466890000	1	DUSTGUARD KIT	[1]
2	1465647000	1	PUMP WATER KIT	
3	9100000860	1	FILTER WATER SIP	
4	9100000861	1	NET WATER FILTER REINFORCED SIP	
5	1465355000	1	CAP SOLUTION TANK KIT	
6	33019324	2	NOZZLE SPRAY KIT	
7	33020865	2	ADAPTER SPRAY KIT	
8	1467245000	2	CHECK VALVE FILTER SIP	
9	1467246000	2	NOZZLE SPRAY D.0.33 SS SIP	
9	1467247000	2	NOZZLE SPRAY D.0.53 BRASS SIP	
10	1467248000	2	RING NUT QUICK COUPLING SIP	
11	1467177000	2	SUPPORT GALV. F NOZZLE SIP	
12	1467178000	1	HOSES F DUSTGUARD KIT	
13	1467179000	1	ELBOW Y D.6-8-6 2 PCS SET	
14	1467180000	2	FITTING STRAIGHT REDUCER 4 PCS SET	

Part Notes:

[1] - OPTIONAL - INST. INSTR. 1466900000



PL ACCESSORIES - GUARD OVERHEAD - CANOPY FOR OHG

SW5500 B NIL

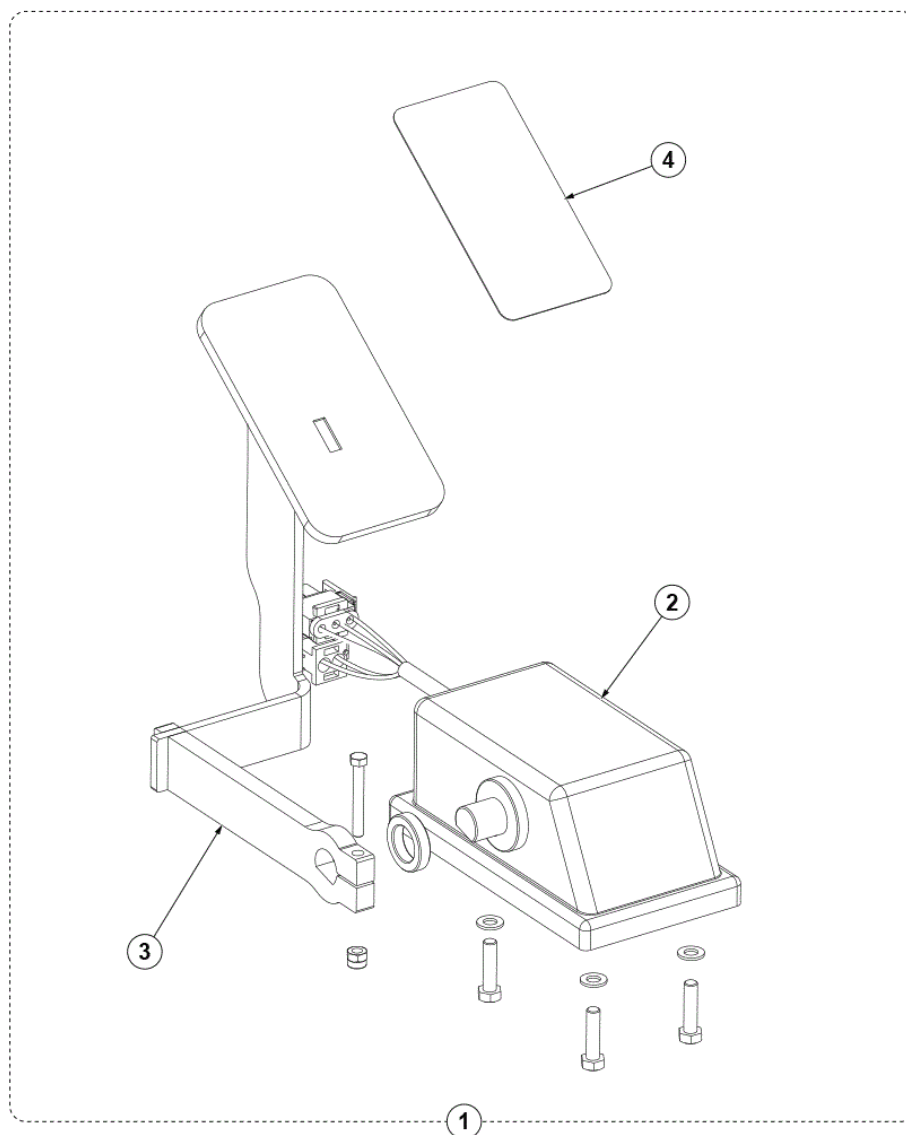
2018.04.05

2018.04.05

Pos.	Product no	QTY	Description	Notes
1	1466096000	1	GUARD OVERHEAD KIT	[1]
2	1466924000	1	SUPPORT RT F OHG MET. BLACK SIP	
3	1466926000	1	SUPPORT LT F OHG MET. BLACK SIP	
4	1467084000	1	CAP SQUARE 40X40 2 PCS SET	
5	1467556000	1	HARNESS F OHG SIP	
6	1466886000	1	CANOPY FOR OHG KIT	[2]

Part Notes:

- [1] - OPTIONAL - INST. INSTR. 1466894000
- [2] - OPTIONAL - INST. INSTR. 1466895000



PL ACCELERATOR PEDAL ASSY

SW5500 B NIL

2018.04.05

2018.04.05

Pos.	Product no	QTY	Description	Notes
1	1466589000	1	PEDAL ELECTRONIC ACCELERATOR KIT	
2	1466592000	1	ACCELERATOR ELECTRONIC SIP	
3	1466590000	1	PEDAL F ACCELERATOR KIT	
4	1466591000	1	ANTI-SLIP SURFACING BLACK 50X95MM KIT	

