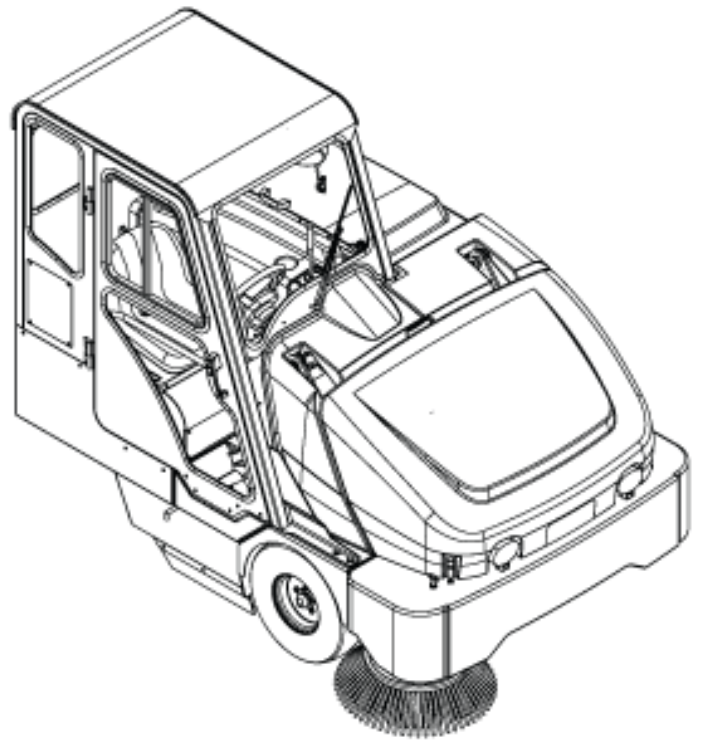
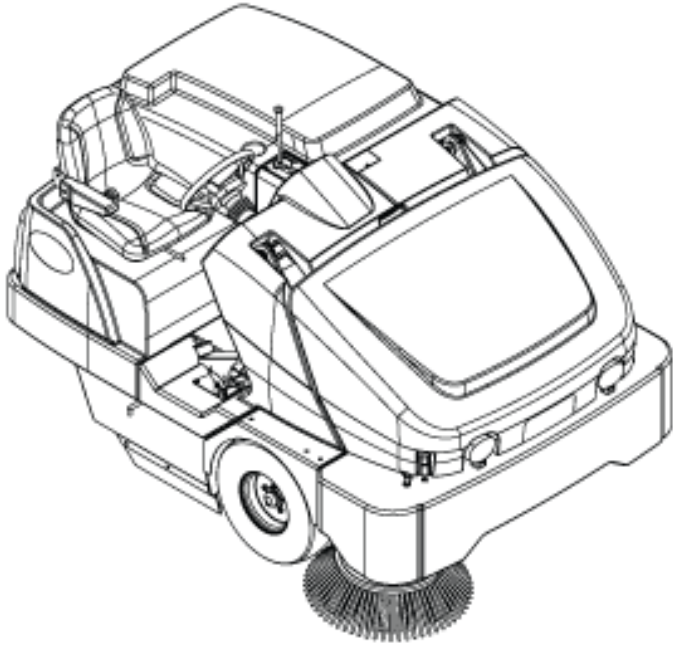


PARTS LIST



2021.07.28

TABLE OF CONTENTS

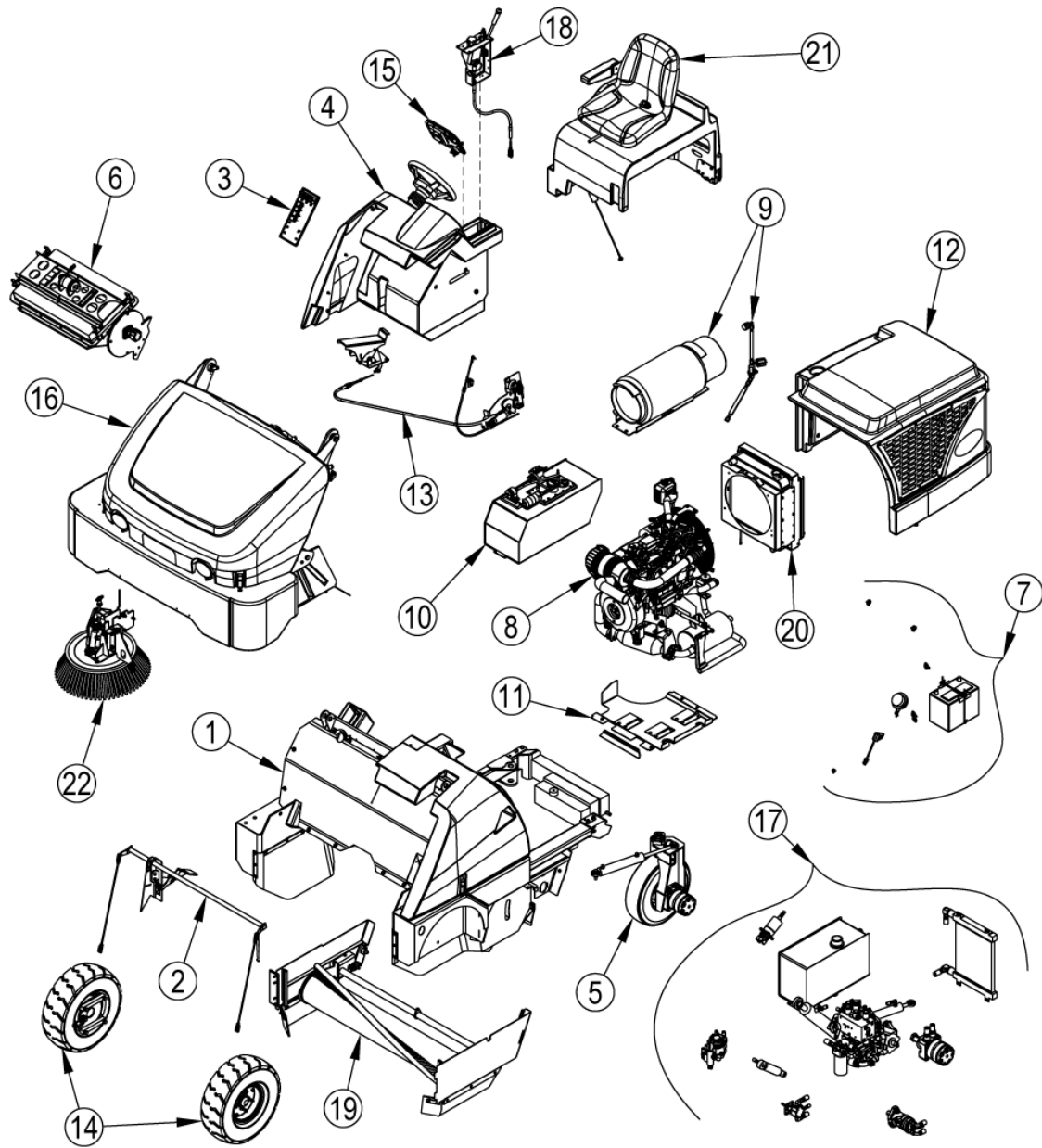
GENERAL VIEW	1
AMBER STROBE CAB [STANDARD ON CAB MODELS]	3
AMBER STROBE NO OHG KIT [STANDARD ON NON CAB MODELS]	5
BACK UP ALARM KIT (STANDARD ON ALL MODELS)	7
BRAKE PEDAL ASSY	9
BROOM LIFT ASSY	11
BROOM SELECTOR GUIDE	13
CHASSIS ASSY	15
CHASSIS SYSTEM	17
CIRCUIT BREAKER PANEL ASSY	20
CONTROL SYSTEM	22
DECAL SYSTEM	24
DRIVE WHEEL SYSTEM	26
DUST CONTROL SYSTEM-1	28
DUST CONTROL SYSTEM-2	30
ELECTRICAL SYSTEM	32
ENGINE BASE ASSY - DIESEL	34
Engine Base Assy - Diesel - JANUARY 1 OR AFTER, 2019	36
ENGINE BASE ASSY - LPG	38
ENGINE BASE ASSY - PETROL	40
ENGINE BOTTOM COVER ASSY - DIESEL	42
ENGINE BOTTOM COVER ASSY - LPG-PETROL	44
ENGINE KUBOTA DIESEL FUEL TANK ASSY	46
ENGINE KUBOTA DIESEL SYSTEM-1	48
Engine Kubota Diesel System-1 - JANUARY 1 OR AFTER, 2019	50
ENGINE KUBOTA DIESEL SYSTEM-2	52
Engine Kubota Diesel System-2 - JANUARY 1 OR AFTER, 2019	54
ENGINE LPG SYSTEM-1	56
ENGINE LPG SYSTEM-2	58
ENGINE LPG TANK & FILTER ASSY	60
ENGINE PETROL FUEL TANK ASSY	62
ENGINE PETROL SYSTEM-1	64
ENGINE PETROL SYSTEM-2	66
ENGINE REAR COVER ASSY	68
FORWARD-REVERSE CONTROL ASSY	70
FRONT WHEEL SYSTEM	73
GAUGE KIT-DIESEL	75
GAUGE KIT-PETROL & LPG	77
GAUGE PANEL ASSY	79
HOPPER SYSTEM-1	81
HOPPER SYSTEM-2	83
HOPPER SYSTEM-3	85
HOPPER SYSTEM-4	87
HYDRAULIC PUMP ASSY – ORFS - JANUARY 1 OR AFTER, 2019	89

TABLE OF CONTENTS

Hydraulic Schematic - 37 Degree Flare (BEFORE APRIL 1, 2018).....	91
Hydraulic Schematic - ORFS (APRIL 1 OR AFTER, 2018).....	93
Hydraulic SYSTEM - 37 DEGREE FLARE (BEFORE APRIL 1, 2018).....	95
Hydraulic SYSTEM - CYLINDER ASSEMBLIES - 37 DEGREE FLARE (BEFORE APRIL 1, 2018).....	97
Hydraulic SYSTEM - CYLINDER ASSEMBLIES - ORFS (APRIL 1 OR AFTER, 2018).....	99
Hydraulic SYSTEM - MANIFOLD ASSY - 37 DEGREE FLARE (BEFORE APRIL 1, 2018).....	101
Hydraulic SYSTEM - MANIFOLD ASSY - ORFS (APRIL 1 OR AFTER, 2018).....	103
Hydraulic SYSTEM - MOTOR ASSEMBLIES - 37 DEGREE FLARE (BEFORE APRIL 1, 2018).....	105
Hydraulic SYSTEM - MOTOR ASSEMBLIES - ORFS (APRIL 1 OR AFTER, 2018).....	107
Hydraulic SYSTEM - MOUNTING – 37 DEGREE FLARE (BEFORE APRIL 1, 2018).....	109
Hydraulic SYSTEM - MOUNTING - ORFS (APRIL 1 OR AFTER, 2018).....	111
Hydraulic SYSTEM - OIL FILTER-RESERVOIR - 37 DEGREE FLARE (BEFORE APRIL 1, 2018).....	113
Hydraulic SYSTEM - OIL FILTER-RESERVOIR - ORFS (APRIL 1 OR AFTER, 2018).....	115
Hydraulic System - ORFS - JANUARY 1 OR AFTER, 2019.....	117
Hydraulic System - ORFS - APRIL 1 OR AFTER, 2018.....	119
Hydraulic SYSTEM - PUMP ASSY - 37 DEGREE FLARE (BEFORE APRIL 1, 2018).....	121
Hydraulic SYSTEM - PUMP ASSY - ORFS (APRIL 1 OR AFTER, 2018).....	123
LADDER DIAGRAM-1.....	125
LADDER DIAGRAM-2.....	128
LADDER DIAGRAM-3.....	130
Left Hand Side Broom Option-1 - 37 DEGREE FLARE (BEFORE APRIL 1, 2018).....	132
Left Hand Side Broom Option-1 - ORFS (APRIL 1 OR AFTER, 2018).....	134
LEFT HAND SIDE BROOM OPTION-2.....	136
MAIN BROOM ASSY-1.....	138
MAIN BROOM ASSY-2.....	140
OPTIONAL KITS & ACCESSORIES.....	142
RADIATOR ASSY.....	145
RECOMMENDED SPARE PART.....	147
SEAT ASSY.....	150
Side Broom Speed Control OPTION - ORFS (APRIL 1 OR AFTER, 2018).....	152
SIDE BROOM SYSTEM.....	154
Tilt Steering Option - 37 DEGREE FLARE (BEFORE APRIL 1, 2018).....	156
Tilt Steering Option - ORFS (APRIL 1 OR AFTER, 2018).....	158
56507850 - Sidebroom Premist Kit.....	160
56107680 - Side broom speed control kit.....	162
56107612 - FRONT BUMPER KIT.....	164
56507030 - Litter Vac Kit.....	166
56107668 - OPERATOR PRESENCE SWITCH KIT.....	168
56383880 - ROD END THROTTLE KIT.....	170
56107809 - SIDE BROOM SPEED CONTROL KIT.....	172
56107810 - TILT STEERING OPTION.....	174

TABLE OF CONTENTS

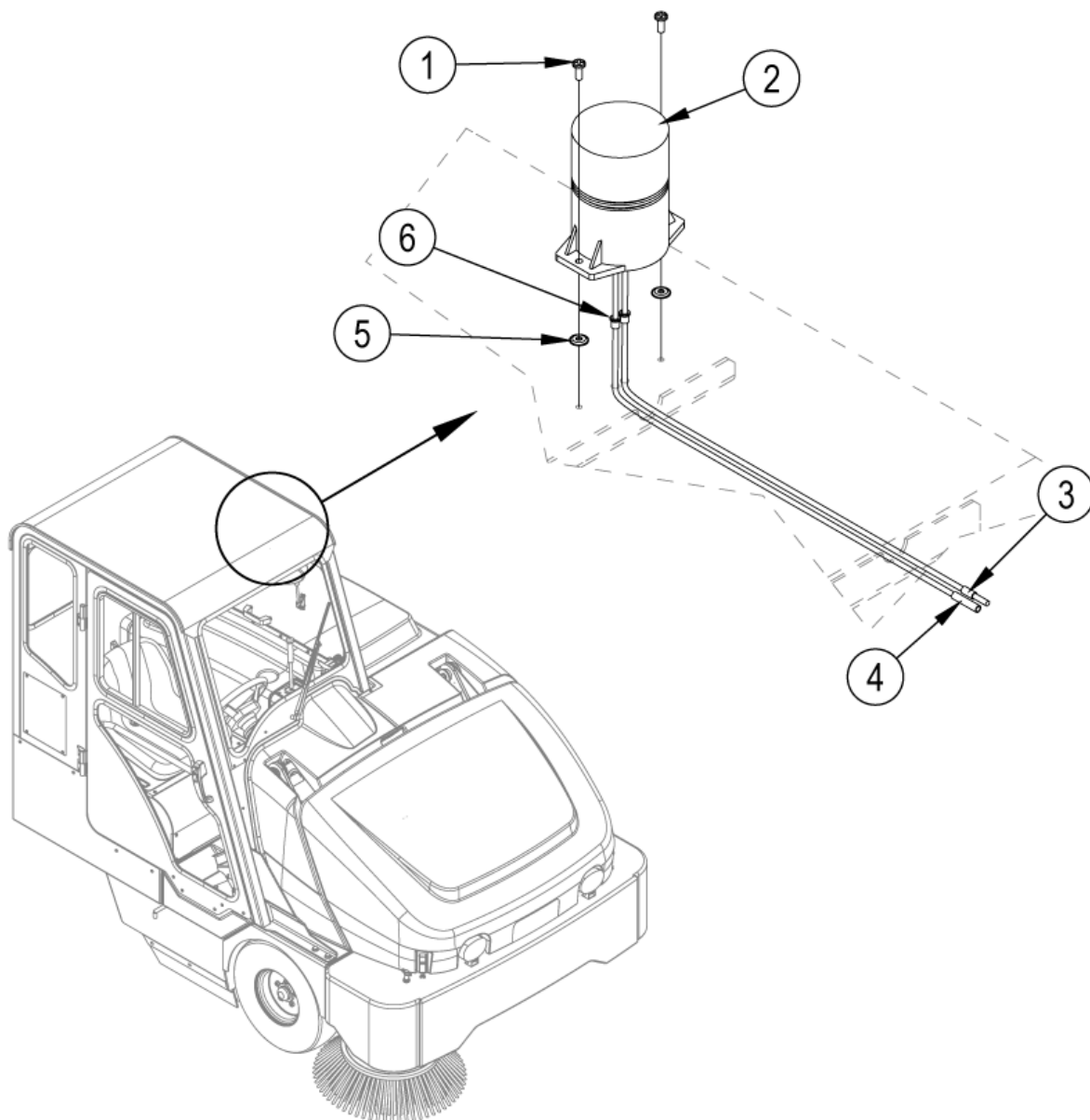
56507710 - Pocket Filter Kit.....	176
56111267 - Overhead Guard Canopy Kit - ER 1300, 1600.....	178
56507184 - Left Hand Side Broom Option.....	180
56508815 - Rear Bumper Kit - Cab.....	182
56508663 - Mirror option.....	184
56508826 - Raised Air Intake Kit - Cab.....	186
56508825 - Amber Strobe Kit - Cab.....	188
56508889 - Hopper Bottom Plate Kit.....	190
56107673, 56107674 - KUBOTA GAUGE KIT-4 CYL.....	192



Pos.	Product no	QTY	Description	Notes
1		1	Chassis system	[1]
2		1	Brake pedal assy	[2]
3		1	Circuit breaker panel assy	[3]
4		1	Control system	[4]
5		1	Drive wheel system	[5]
6		1	Dust control system	[6]
7		1	Electrical system	[7]
8		1	Engine system	[8]
9		1	Engine LPG tank and filter assy	[9]
10		1	Engine Diesel/Petrol fuel tank assy	[10]
11		1	Engine bottom cover assy	[11]
12		1	Engine rear cover assy	[12]
13		1	Forward-reverse control	[13]
14		1	Front wheel system	[14]
15		1	Gauge panel assy	[15]
16		1	Hopper system	[16]
17		1	Hydraulic system	[17]
18		1	Broom lift assy	[18]
19		1	Main broom assy	[19]
20		1	Radiator assy	[20]
21		1	Seat assy	[21]
22		1	Side broom system	[22]

Part Notes:

- [1] - See CHASSIS SYSTEM
- [2] - See BRAKE PEDAL ASSY
- [3] - See CIRCUIT BREAKER PANEL ASSY
- [4] - See CONTROL SYSTEM
- [5] - See DRIVE WHEEL SYSTEM
- [6] - See DUST CONTROL SYSTEM-1 and DUST CONTROL SYSTEM-2
- [7] - See ELECTRICAL SYSTEM
- [8] - See ENGINE LPG SYSTEM-1, ENGINE LPG SYSTEM-2
ENGINE PETROL SYSTEM-1, ENGINE PETROL SYSTEM-2
ENGINE [KUBOTA] DIESEL SYSTEM-1, ENGINE [KUBOTA] DIESEL SYSTEM-2
- [9] - See ENGINE LPG TANK FILTER ASSY
- [10] - See ENGINE PETROL FUEL TANK ASSY, ENGINE [KUBOTA] DIESEL FUEL TANK ASSY
- [11] - See ENGINE BOTTOM COVER ASSY - LPG-PETROL and ENGINE BOTTOM COVER ASSY - DIESEL
- [12] - See ENGINE REAR COVER ASSY
- [13] - See FORWARD-REVERSE CONTROL ASSY
- [14] - See FRONT WHEEL SYSTEM
- [15] - See GAUGE PANEL ASSY
- [16] - See HOPPER SYSTEM-1, HOPPER SYSTEM-2, HOPPER SYSTEM-3, HOPPER SYSTEM-4
- [17] - See HYDRAULIC SYSTEM, HYDRAULIC SYSTEM - MOUNTING, HYDRAULIC CYLINDER ASSEMBLIES,
HYDRAULIC MOTOR ASSEMBLIES, HYDRAULIC OIL FILTER-RESERVOIR, HYDRAULIC PUMP ASSY,
HYDRAULIC SCHEMATIC
- [18] - See BROOM LIFT ASSY
- [19] - See MAIN BROOM ASSY-1 and MAIN BROOM ASSY-2
- [20] - See RADIATOR ASSY
- [21] - See SEAT ASSY
- [22] - See SIDE BROOM SYSTEM



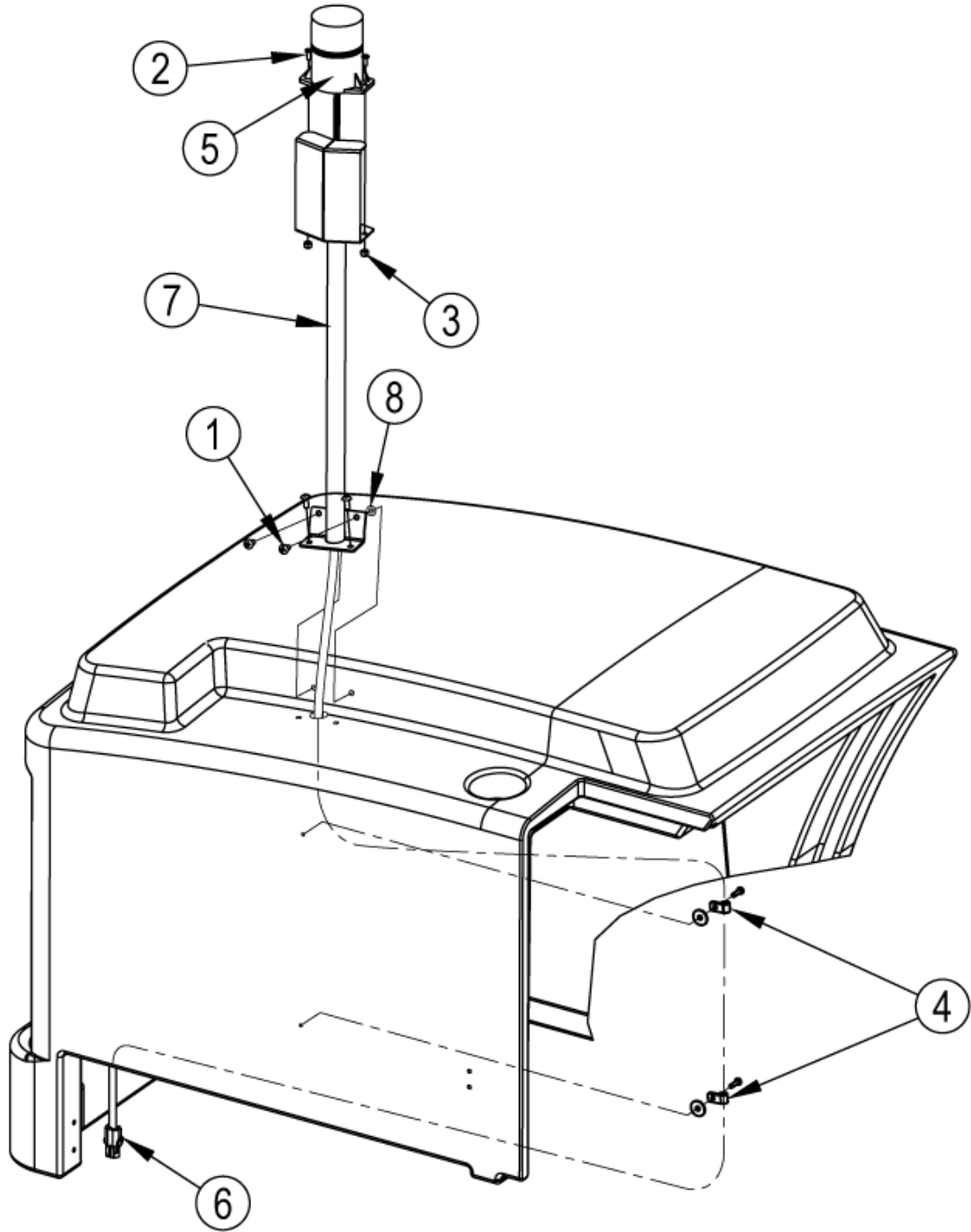
AMBER STROBE CAB [STANDARD ON CAB MODELS]

SW8000 165 D 4-CYL NIL

2017.11.02

2013.04.02

Pos.	Product no	QTY	Description	Notes
01	56009029	2	SCR PANPHIL THD FORM 10-24X.50	
02	56510893	1	BEACON-WARNING LED	
03	2-00-04551	1	TERMINAL-BULLET MALE	
04	2-00-04584	1	TERMINAL-BULLET FEMALE	
05	2-00-01974	2	WSHR-SEALING-SST-SPCL	
06	2-00-04200	2	BUSHING-SNAP	

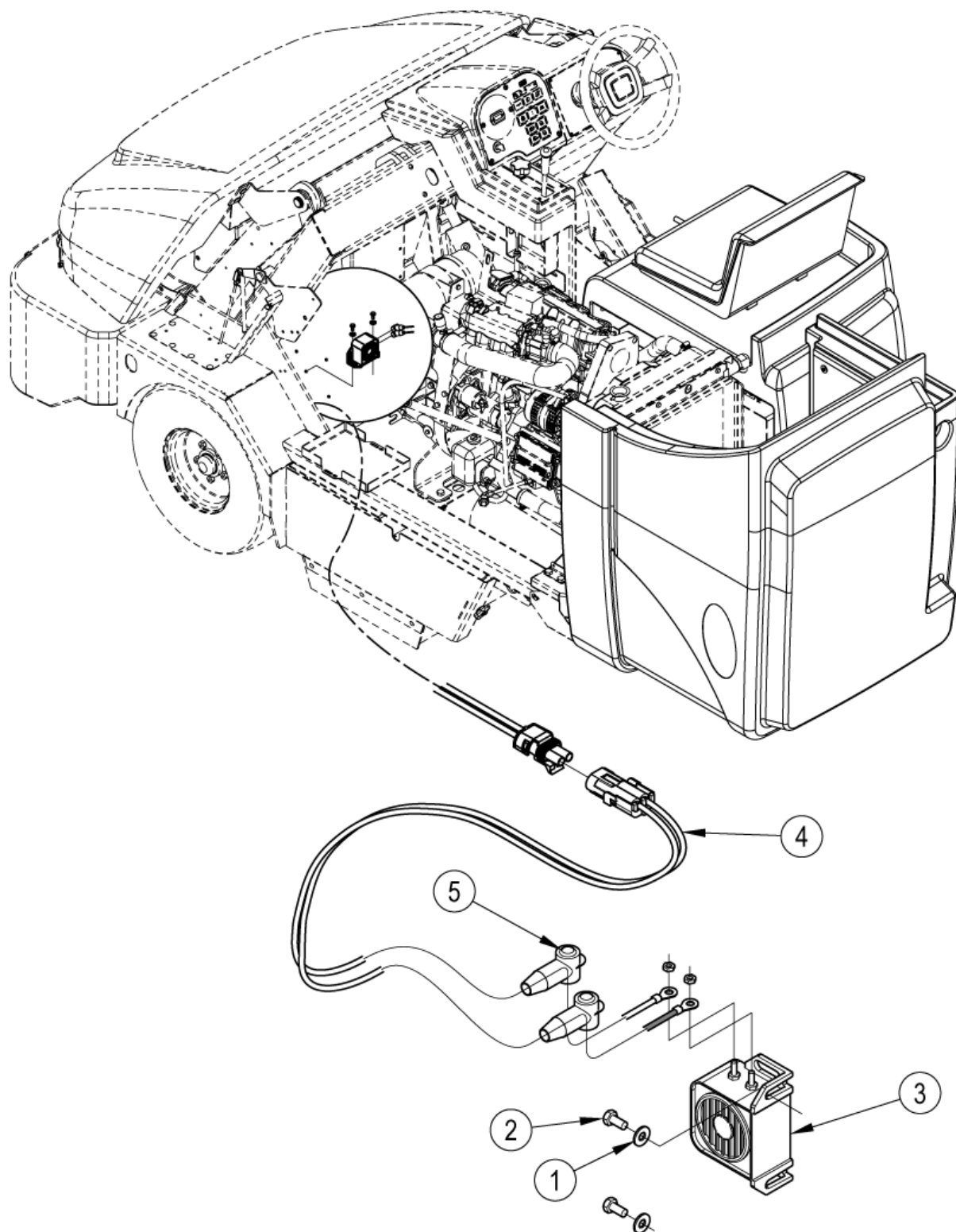


AMBER STROBE NO OHG KIT [STANDARD ON NON CAB MODELS]

SW8000 165 D 4-CYL NIL

2013.04.02

Pos.	Product no	QTY	Description	Notes
01	56009120	6	SCR PANPHIL SS TYPEB1/4-14X.62	
02	56001993	2	SCREW 10-24 X 0.5 ZINC PL	
03	56002768	2	NUT HEX NYL LOC 10-24	
04	56172017	4	P-CLIP E00129	
05	56510893	1	BEACON-WARNING LED	
06	56508925	1	HARNESS BEACON	
07	56507835	1	WELDMENT BEACON MTG	
08	56002098	2	H FLT SAE 1/4	



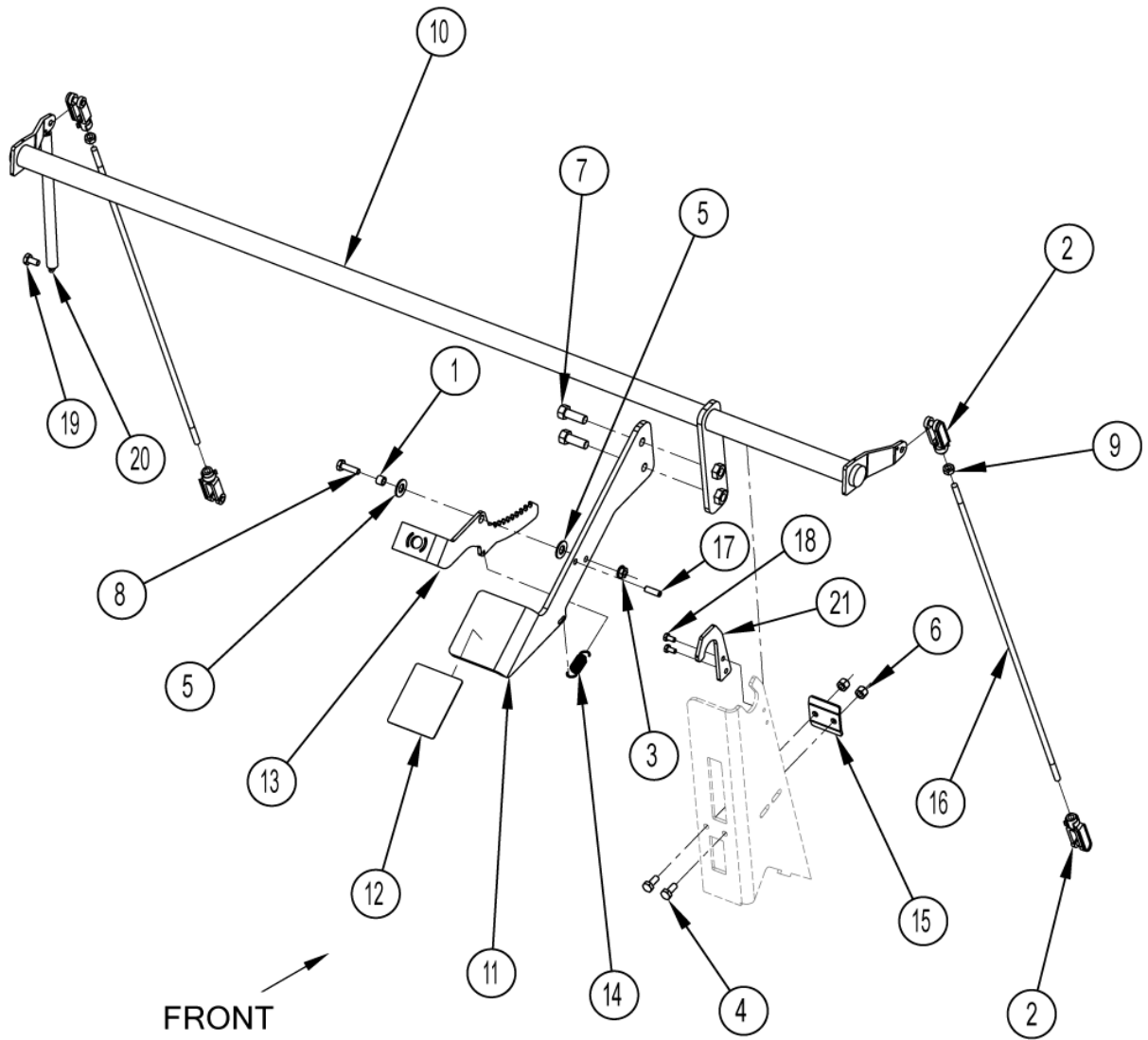
BACK UP ALARM KIT (STANDARD ON ALL MODELS)

SW8000 165 D 4-CYL NIL

2017.11.02

2013.04.02

Pos.	Product no	QTY	Description	Notes
01	56002098	2	H FLT SAE 1/4	
02	56009033	2	SCR HEX THD FORM 1/4-20X.50	
03	56409232	1	BACK-UP ALARM	
04	56409495	1	WIRE ASSY. PIGTAIL	
05	56409538	2	TERMINAL INSULATOR	



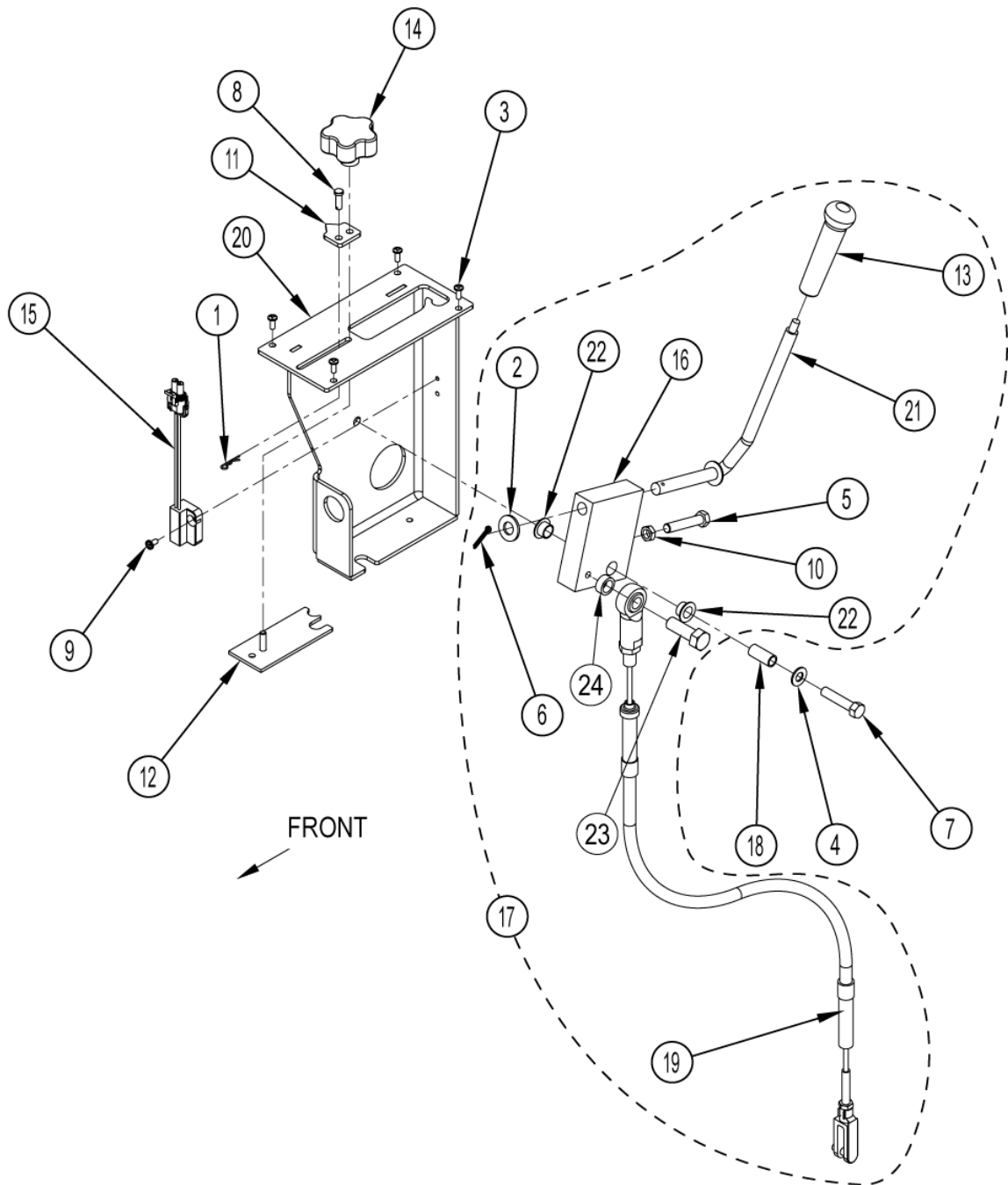
BRAKE PEDAL ASSY

SW8000 165 D 4-CYL NIL

2017.11.02

2019.05.10

Pos.	Product no	QTY	Description	Notes
00	56507044	1	PEDAL BRAKE ASSEMBLY	
1	56368989	1	BUSHING .25X.37X.30CV82G	
2	56407133	4	YOKE CLEVIS	
3	56003920	1	NUT-HEX FLANGE LOC SS 1/4-20	
4	56003047	2	SCR HEX SS 1/4-20 X .62	
5	56002910	2	WSH FLT SAE SS 3/8	
6	56002491	2	NUT HEX NYL LOC SS 1/4-20	
7	56002947	2	SCR HEX LOC 3/8-16 X 1.00	
8	56003921	1	SCR-HEX LOC SS 1/4-20 X .88	
9	56009142	2	NUT HEX MACHINE 1/4-28	
10	56507210	1	BRAKE CONNECTING ROD WELDT	
11	56107688	1	BRAKE PEDAL	
12	56507226	1	MAT PEDAL	
13	56507450	1	PARKING BRAKE LEVER	
14	56507451	1	SPRING EXTENSION	
15	56507453	1	PLATE	
16	56507456	2	ROD	
17	56003138	1	PIN SPR .25 X .75	
18	56009012	2	SCR HEX THD FORM 10-24X.38	
19	56009033	1	SCR HEX THD FORM 1/4-20X.50	
20	56382000	1	SPRING EXT .49X6.00CL11J	
21	56508329	1	TAB BRAKE ROD LOCKING	



BROOM LIFT ASSY

SW8000 165 D 4-CYL NIL

2017.11.02

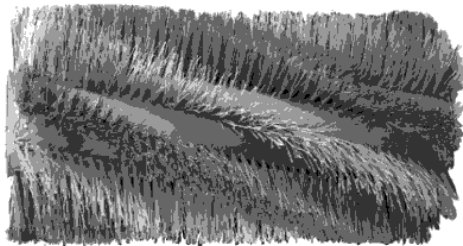
2019.05.10

Pos.	Product no	QTY	Description	Notes
1	56003332	1	PIN COT HAIR .042X.188	
2	56001879	1	WSH FLT SAE 1/2	
3	56003902	4	SCR-TRUSS PHIL SS BLK10-24X.50	
4	56002063	1	WSH FLT SAE 3/8	
5	56002091	1	SCR HEX 3/8-16 X 2.00	
6	56002529	1	PIN COT .12 X 1.00	
7	56003771	1	SCR HEX HD LOC 3/8-16 1.75	
8	56003663	1	PIN-CLEVIS-1/4X3/4-3/32 HOLE	
9	56009030	1	SCR PAN PHIL THD FOM 10-24X.38	
10	56009085	1	NUT HEX JAM 3/8-16	
11	56304821	1	PLATE INDICATOR	
12	56304822	1	STOP PLATE WELDMENT	
13	56305010	1	KNOB BROOM	
14	56305030	1	KNOB ADJUSTING	
15	56305053	1	SENSOR PROXIMITY	
16	56507109	1	BLOCK BROOM ARM PIVOT	
17	56507110	1	BROOM ARM PIVOT ASSEMBLY	[1]
18	56507111	1	BUSHING.0.5 DIA X1.12	
19	56508742	1	CABLE BROOM LIFT ASSSY	
20	56107695	1	BROOM LIFT WELDT	
21	56507408	1	HANDLE BROOM LIFT	
22	56507560	2	BEARING PIVOT	
23	56003778	1	SCR HEX LOC 1/2-20 X 1.50 GR 8	
24	56051691	1	SPACER STL--.532X.750 .312L Z	

Part Notes:

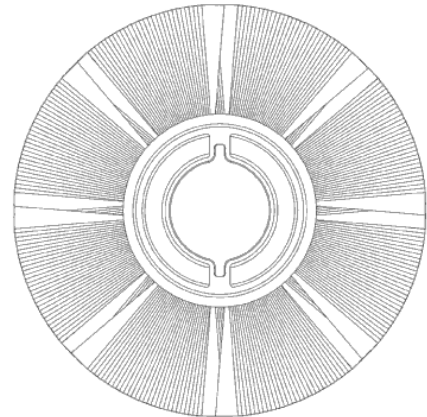
[1] - (items 2, 5, 6, 10, 13, 16, 19, 21-24)

BROOM SELECTOR GUIDE



8 Double Row

Length.....50" (127.6 cm)
Diameter 14" (35.56 cm)



- Main Broom:** 56507424 Proex & Wire (STD.) (8 Double Rows)
56507340 Proex & Wire (optional) (Chevron)
56507342 Proex & Wire (optional) (12 D-Rows)

This broom has a more aggressive cleaning action, used to pick up heavier debris.

56507345 Nylon (optional) (8 D-Rows)

General purpose broom that can be used for all types of light soil. High wear material so uneven surfaces do not cause excessive wear. Nylon has a high heat deflection temperature, is chemical resistant and will absorb water in wet conditions. Truly a general purpose broom.

56507346 Proex (optional) (8 Double Rows)

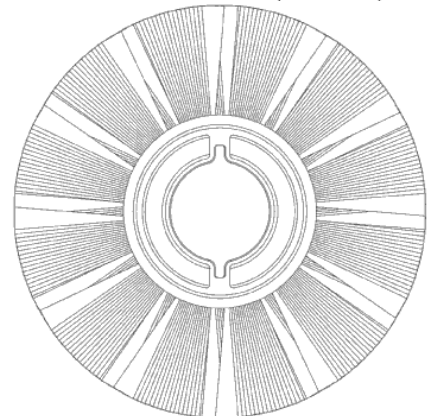
Synthetic fiber made of polypropylene designed to pick up paper gravel, sand and other lighter less bulky litter.

56507344 Polypropylene/Wire (optional) (12 D-Rows)

56507343 Polypropylene (optional) (8 D-Rows)

12 Double Row

Length.....50" (127.6 cm)
Diameter 14" (35.56 cm)



- Side Broom:** 56507350 Polypropylene 30° (STD.)

The side broom function is to sweep the dirt and debris away from the curb, wall, pallet, etc. into the path of the main broom.

56507351 Nylon 30° (optional)

56507352 Wire 30° (optional)

56508498 Polypropylene 41° (optional)

56508499 Nylon 41° (optional)



(30°) Diameter22" (58 cm)

(41°) Diameter26" (66 cm)

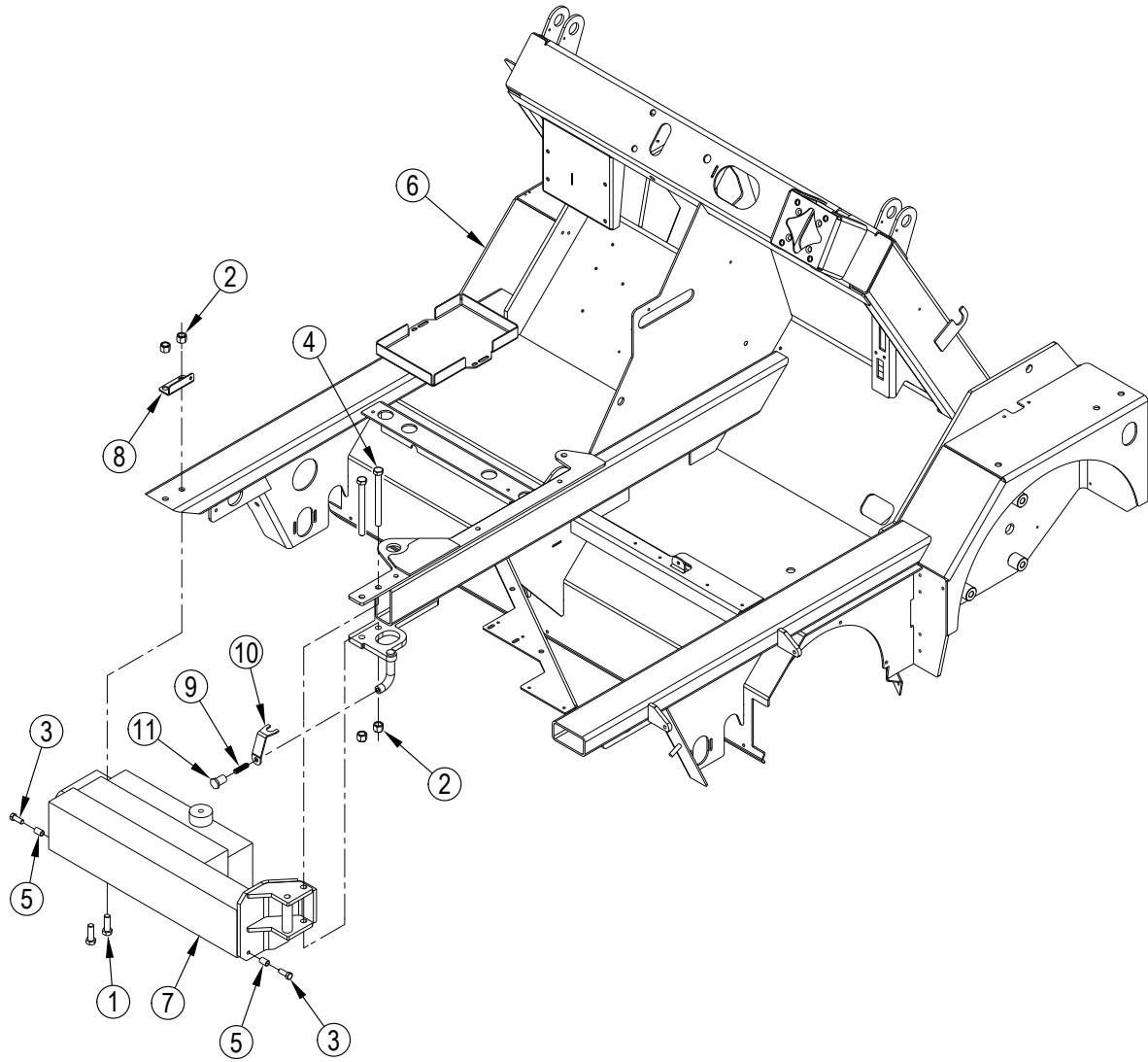
BROOM SELECTOR GUIDE

SW8000 165 D 4-CYL NIL

2017.11.02

2013.04.02

Pos.	Product no	QTY	Description	Notes
01	56507424	1	MAIN BROOM PROEX-WIRE	
02	56507340	1	MAIN BROOM PROEX-WIRE CHEVRON	
03	56507342	1	MAIN BROOM PROEX-WIRE-12 ROW	
04	56507345	1	MAIN BROOM NYLON	
06	56507346	1	MAIN BROOM PROEX	
07	56507344	1	MAIN BROOM POLYPRO-WIRE-12 ROW	
08	56507343	1	MAIN BROOM POLYPROPYLENE	
09	56507350	1	SIDE BROOM POLYPROPYLENE	
10	56507351	1	SIDE BROOM NYLON	
11	56507352	1	SIDE BROOM FLAT WIRE	
12	56508498	1	SIDE BROOM POLY 41 DEGREES	
13	56508499	1	SIDE BROOM NYLON 41 DEGREES	



CHASSIS ASSY

SW8000 165 D 4-CYL NIL

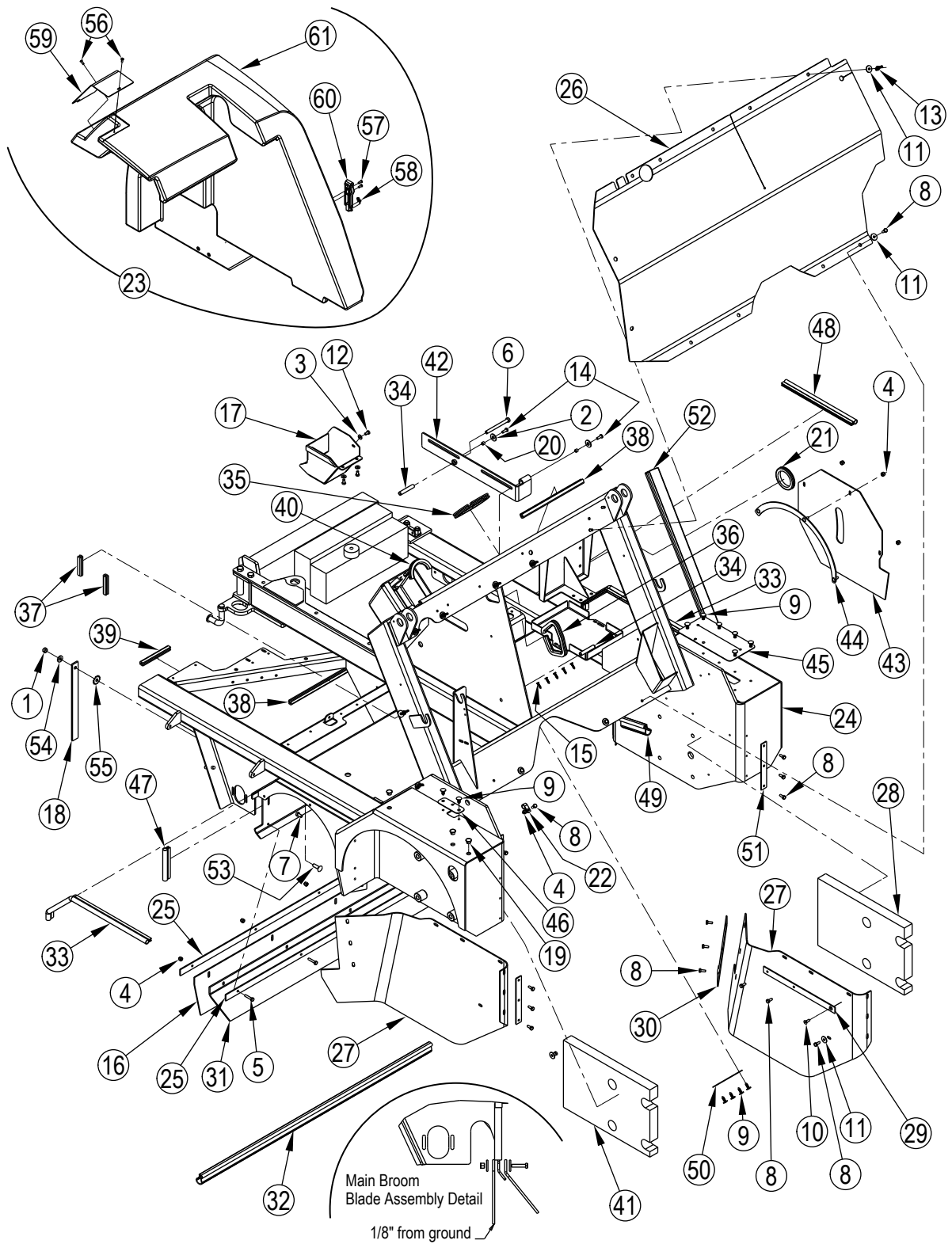
2019.05.07

2019.05.10

Pos.	Product no	QTY	Description	Notes
	56507043	1	CHASSIS ASSEMBLY	
1	56001968	2	SCR HEX 1/2-13 X 1.50	
2	56002770	4	NUT HEX NYL LOC 1/2-13	
3	56002663	2	SCR HEX 3/8-16 X 1.00	
4	56003471	2	SCR HX 1/2-13 X 5.50	
5	56244859	2	BUSHING .37X.50X.75FC417E	
6	56507300	1	CHASSIS WELDMENT	[1]
7	56508880	1	REAR BUMPER WELDMENT	
8	56507553	1	BRACKET COVER LANYARD	
9	56004067	1		
10	56107823	1	BRACKET-LATCH GUIDE	
11	56107824	1	STRIKER-.672/.677-1.18	

Part Notes:

[1] - NOT FOR EU



CHASSIS SYSTEM

SW8000 165 D 4-CYL NIL

2017.11.02

2017.07.04

Pos.	Product no	QTY	Description	Notes
1	2-95-04182	1	NUT-EL.STOP-3/8-16 ZN PL	[1]
2	56002055	2	WSH FLT STD 3/8	
3	56002098	3	H FLT SAE 1/4	
4	56002491	9	NUT HEX NYL LOC SS 1/4-20	
5	56002897	5	SCR HEX SS 1/4-20 X 1.25	
6	56002977	1	SCR HEX THD TO HD 3/8-16 X 4.0	
7	56002988	1	SCR HEX SS 5/16-18 X .62	
8	56003047	23	SCR HEX SS 1/4-20 X .62	
9	56003263	12	RIVET NYLON TREE PUSH-IN.25	
10	56003922	2	SCR-FLT SOC SS 1/4-20 X .75	
11	56003923	13	WSH-FLT SS .266 X .906 X .060	
12	56009033	3	SCR HEX THD FORM 1/4-20X.50	
13	56009111	7	NUT WING S.S. 1/4-20	
14	56009126	2	SCR PANPHILTHD FORM 1/4-20X.75	
15	56009388	6	RIVET NYLON TREE PUSH IN .187	
16	56107621	1	FLAP BROOM REAR	
17	56107784	1	VACUUM EXHAUST ASSY	
18	56416517	1	STRAP STATIC	
19	56418888	3	PLUG BUTTON	
20	56453849	2	BUSHING .26X.37X.28	
21	56459362	1	GROMMET E00059	
22	56486112	1	CLAMP P	
23	56507042	1	CENTER COVER ASSEMBLY	
24	56507043	1	CHASSIS ASSEMBLY	
25	56507117	2	STRAP	
26	56507141	1	COVER RUBBER	
27	56507473	2	FLAP	
28	56507474	1	FOAM LH	
29	56507475	2	STRAP	
30	56507476	2	STRAP	
31	56507569	1	FLAP BROOM REAR	
32	56507895	1	GASKET	
33	56507896	2	GASKET	
34	56507897	2	CAP VINYL	
35	56507900	1	TRIM-EDGE-.18X13.00	
36	56507901	1	TRIM-EDGE-.18X12.00	
37	56507903	2	TRIM-EDGE-.18X3.00	
38	56507904	2	TRIM-EDGE-.18X11.50	
39	56507905	1	TRIM-EDGE-.18X5.25	
40	56507906	1	TRIM-EDGE-.18X4.70	
41	56507967	1	FOAM RH	
42	56507981	1	SLIDE WELDT	
43	56508317	1	FLAP	
44	56508319	1	CLAMP WELDT	
45	56508372	1	FLAP DUST	
46	56508373	1	FLAP DUST	
47	56508380	1	GASKET	
48	56508382	1	GASKET	
49	56508385	2	GASKET	
50	56508387	1	FLAP DUST	
51	56508399	2	STRAP	
52	56508516	1	SEAL CHASSIS	
53	2-00-05187	1	BOLT CARR.38-16 X 1.25 GR 5 ZN	
54	2-00-04801	1	WSHR-FLAT .875X.380X.120TH ZN	
55	2-00-03829	1	LK WASH INT/EXT TOOTH ZN	
56	56002140	2	WASHER FLAT SAE 8 ZINC PLAT	
57	56003093	4	SCR PAN PHIL PLAST 8-15 X .50	
58	56002523	2	SCR PAN HD PHIL HP5 8-32 X .38	
59	56107698	1	PLATE-COVER	

CHASSIS SYSTEM

SW8000 165 D 4-CYL NIL

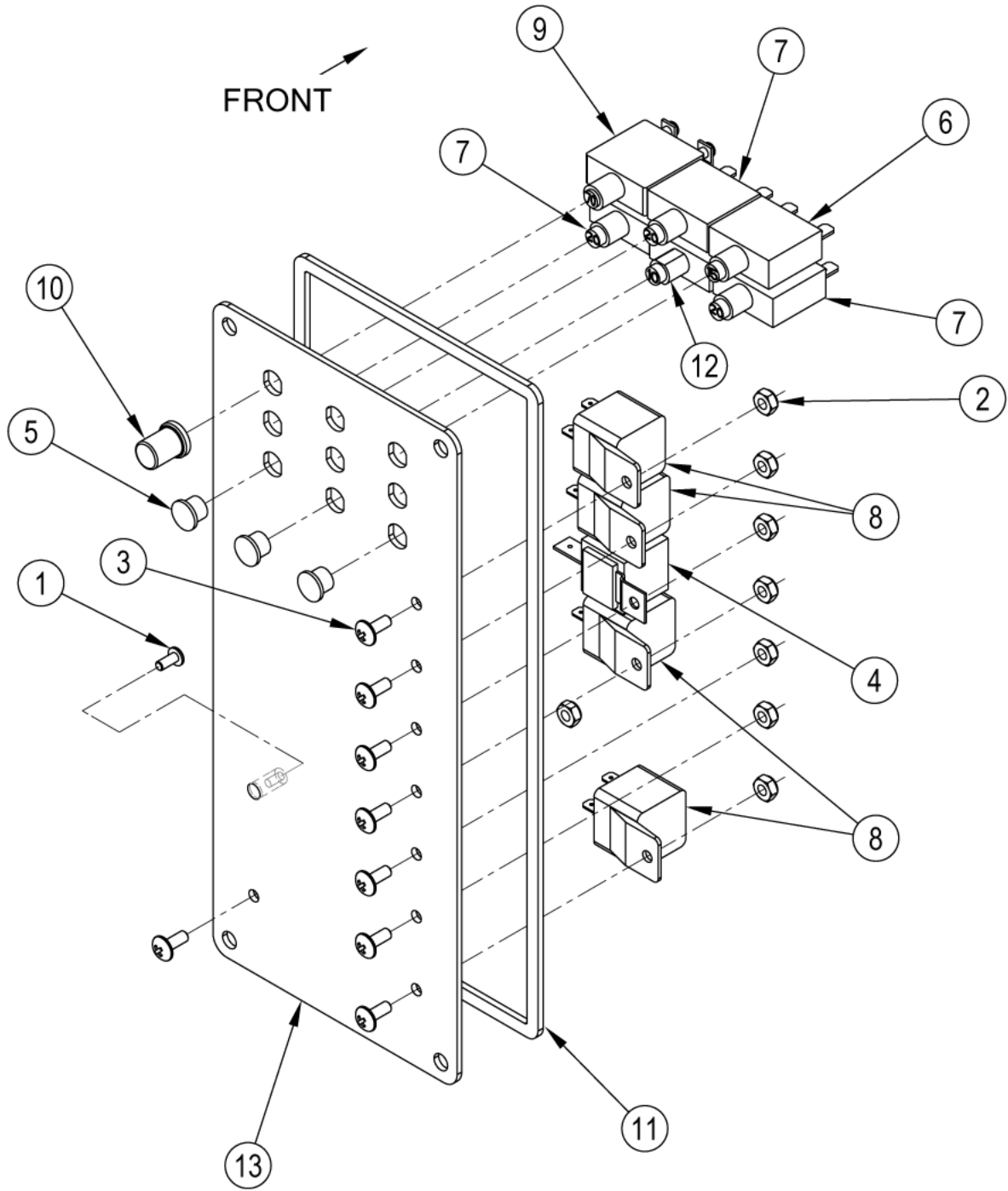
2017.11.02

2017.07.04

Pos.	Product no	QTY	Description	Notes
60	56507188	1	LATCH HOPPER COVER	
61	56507565	1	COVER INTERMEDIATE	

Part Notes:

[1] - EXPIRED USE 56002769



CIRCUIT BREAKER PANEL ASSY

SW8000 165 D 4-CYL NIL

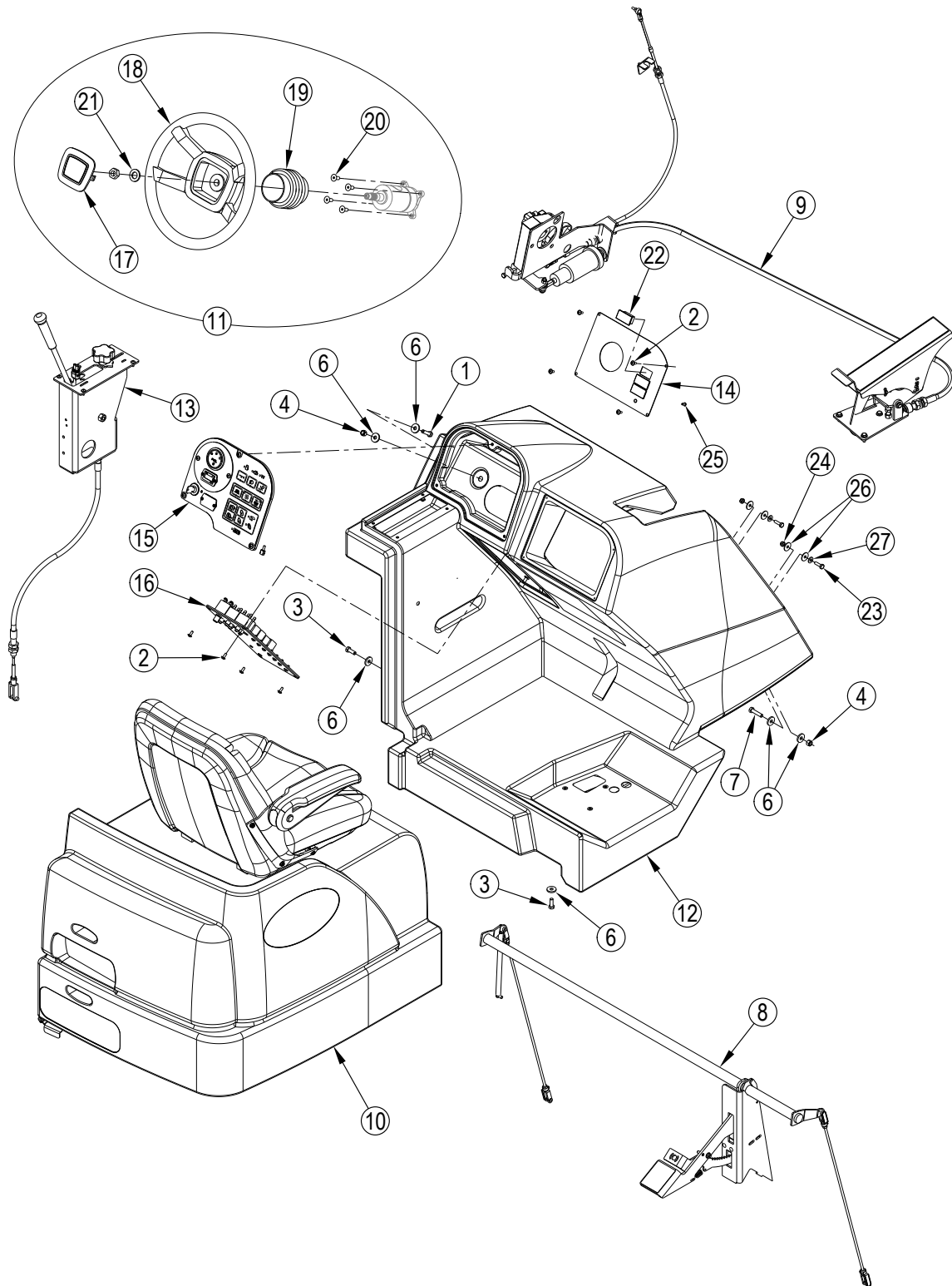
2017.11.02

2013.04.02

Pos.	Product no	QTY	Description	Notes
00	56507615	1	PANEL ASSY DIESEL	[1]
00	56507646	1	PANEL ASSY LPG/PETROL	[1]
01	56001818	1	SCR PAN PHIL 8-32 X .38	
02	56002849	8	NUT HEX NYL LOC-THIN SS 10-24	
03	56003902	8	SCR-TRUSS PHIL SS BLK10-24X.50	
04	56107639	1	RELAY	
05	56153126	3	PLUG BUTTON E00172	
06	56413407	1	CIRCUIT BREAKER 15 AMP	
07	56413822	3	CIRCUIT BREAKER 20 AMP	
08	56418387	3	RELAY SPDT	
09	56454429	1	CIRCUIT BREAKER 70A	
10	56459369	1	BOOT RESET BUTTON E00586	
11	56507441	1	GASKET STRIP	
12	56507644	1	CIRCUIT BREAKER 10 AMP	
13	56107693	1	PANEL-CIRCUIT BREAKERS ASSY	

Part Notes:

[1] - (items 1-13)



Pos.	Product no	QTY	Description	Notes
1	56001834	1	SCR HEX 5/16-18 X 1.25	
2	56003902	8	SCR-TRUSS PHIL SS BLK10-24X.50	
3	56002037	2	SCR HEX 5/16-18 X .88	
4	56002701	2	NUT HEX NYL LOC 5/16-18	
6	56009122	6	WSH FLT .344X.938X.125	
7	56009256	1	SCR HEX 5/16-18X1.38	
8	56507044	1	PEDAL BRAKE ASSEMBLY	[1]
9	56507049	1	FWD/REV 4 CYL CONTROL ASSY	[2]
10	56507052	1	SEAT ASSEMBLY	[3]
11	56507228	1	TILT STEERING OPTION	[4]
12	56507083	1	CONSOLE	
13	56507407	1	LIFT BROOM ASSEMBLY	[5]
14	56107696	1	PANEL-STANDARD ASSY	
15		1	Gauge Panel Assy – LPG Model	[6]
		1	Gauge Panel Assy – Petrol Model	[6]
		1	Gauge Panel Assy – Diesel Model	[6]
16	56507646	1	PANEL ASSY LPG/PETROL	[7]
	56507615	1	PANEL ASSY DIESEL	[7]
22	2-00-05758	3	MTG PANEL PLUG VHP	
23	56001821	2	SCR HEX 1/4-20 X .88	
24	56002840	2	NUT HEX NYL LOC-THIN 1/4-20	
25	56001818	1	SCR PAN PHIL 8-32 X .38	
26	56003923	4	WSH-FLT SS .266 X .906 X .060	
27	56009064	2	WSH INT SHPRF 1/4	

Part Notes:

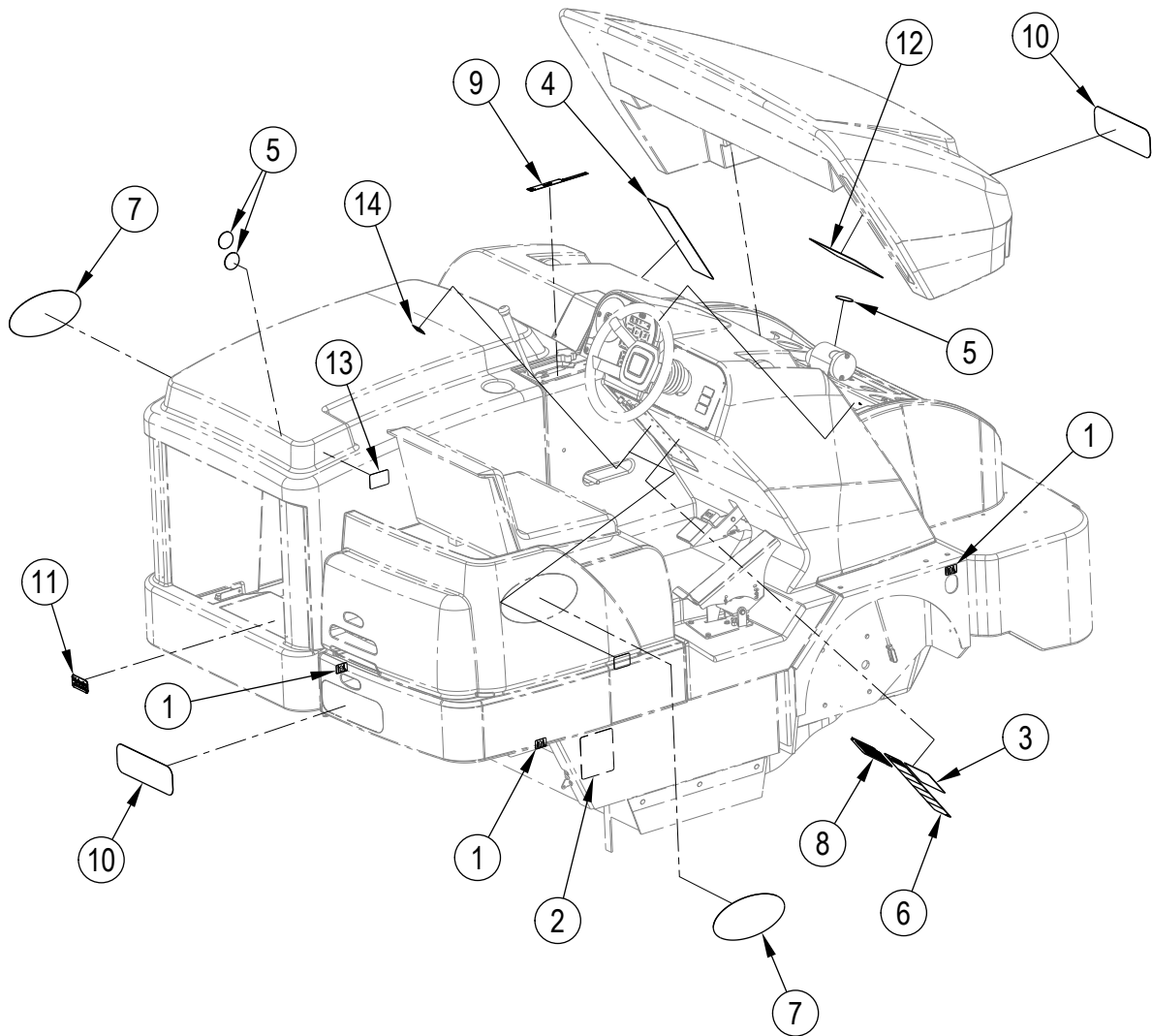
- [1] - See BRAKE PEDAL ASSY
- [2] - See FORWARD-REVERSE CONTROL ASSY
- [3] - non-cab models See SEAT ASSY
- [4] - MULTPL REPL SEE CUST SRVC

See for replacement parts

Tilt Steering Option - ORFS (APRIL 1 OR AFTER, 2018)

Tilt Steering Option - 37 DEGREE FLARE (BEFORE APRIL 1, 2018)

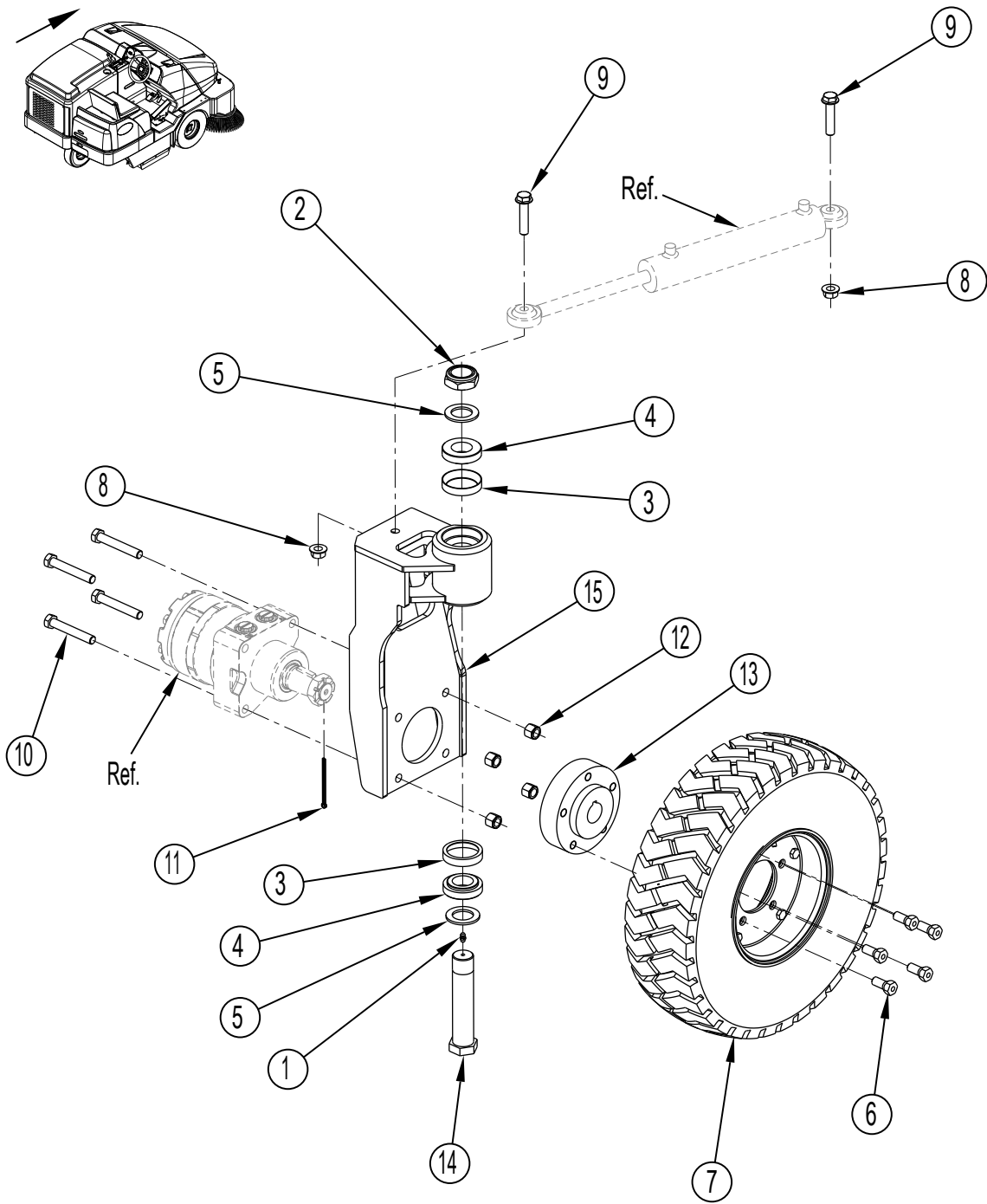
- [5] - See BROOM LIFT ASSY
- [6] - See GAUGE PANEL ASSY
- [7] - See CIRCUIT BREAKER PANEL ASSY



Pos.	Product no	QTY	Description	Notes
1	56015370	5	DECAL TIE DOWN	
2	56015425	2	DECAL WARNING BROOM	
3	56015427	1	DECAL WARNING TIP O	
4	56015428	1	DECAL-WARNING-HOPPER	
5	56030080	3	DECAL HANDS CLEAR	
6	56014601	1	DECAL CAUTION	
7	56107605	2	DECAL SW8000 NIL	
8	56016356	1	DECAL CIRCUIT BREAKER	
9	56016365	1	DECAL MAIN BROOM	
10	56016731	2	DECAL NILFISK	
11	56107775	1	DECAL-KUBOTA	
12	56384707	1	DECAL-WARNING-HOPPER COVER	[1]
13	56015463	1	DECAL COOLANT LEVEL	

Part Notes:

- [1] - All machines built starting with serial number 1000061823 and after have this warning decal added to the inside area of the hopper cover.



DRIVE WHEEL SYSTEM

SW8000 165 D 4-CYL NIL

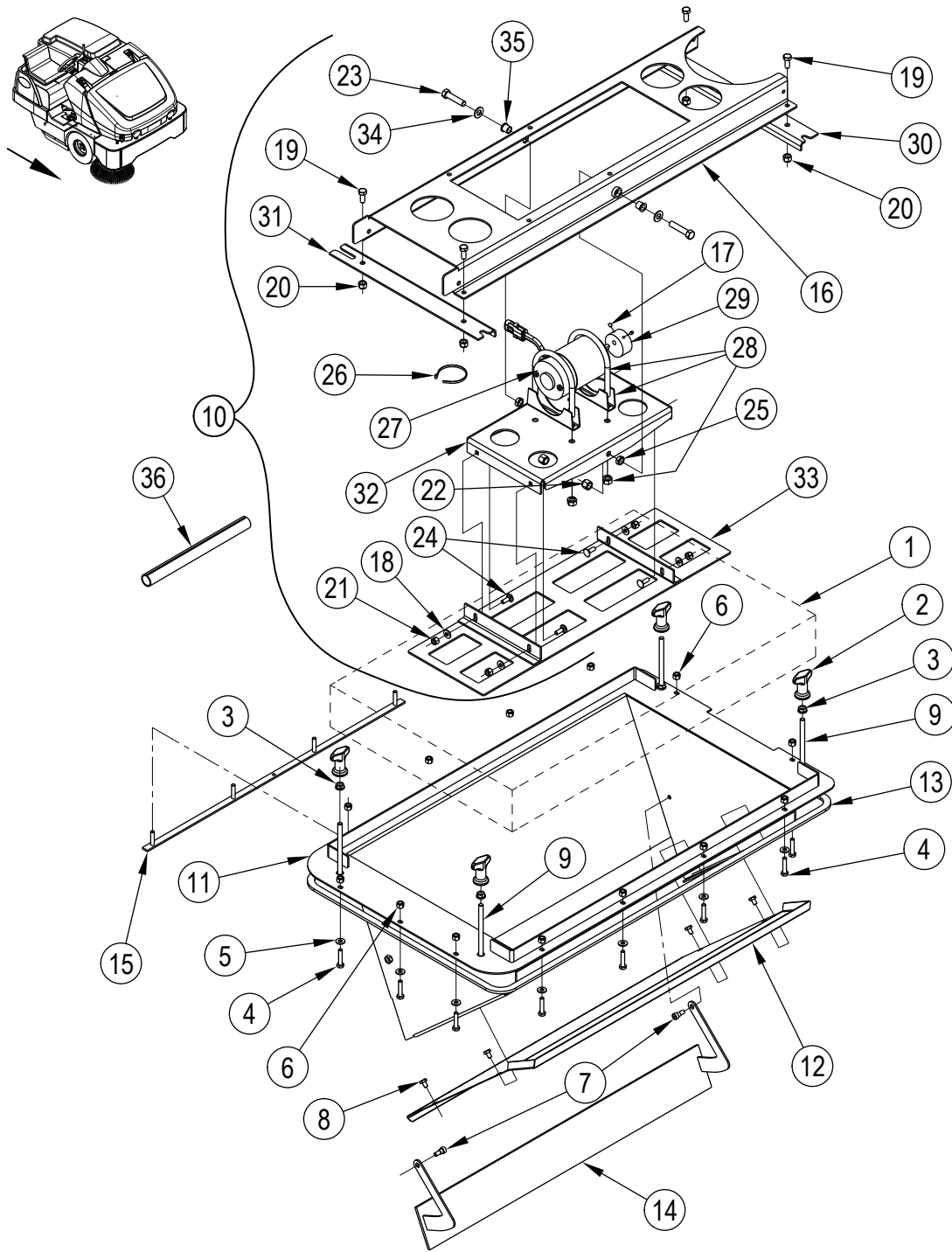
2017.11.02

2019.09.30

Pos.	Product no	QTY	Description	Notes
1	56101737	1	FITTING LUBE 1/4-28	
2	2-00-04454	1	NUT-INS-FIBRE 1.25-12 LOW HGT	
3	2-00-04621	2	CUP TIMKEN	
4	2-00-04622	2	CONETIMKEN	
5	8-75-01136	2	WASHER-THRUST	
6	56385067	5	STUD-WHEEL-1/2-20X1.31	
7	56385069	1	FOAM FILLED TIRE KIT-6MM-5X8	
7	56385068	1	PNEUMATIC TIRE KIT-6MM-5X8	
	8-85-06021	1	TIRE-PNEUMATIC-5 X 8	
	8-70-00085	1	TUBE-INNER-PNEUMATIC-5 X 8	
	8-85-06023	1	RIM ASSY - 3.00X8 LOCKRING	
	8-85-06021	1	TIRE-PNEUMATIC-5 X 8	
	8-70-00093	1	TUBE-INNER PNEU. TIRE	
	8-89-08065	1	WHEEL ASSY-SOFTSHOE DEMOUNT 18	[1]
	8-85-06023	1	RIM ASSY - 3.00X8 LOCKRING	
	56508943	1	TIRE SOLID 5 X 8 X 3	
	56385071	1	SOFT SHOE TIRE KIT-6MM-5X8	
	7-85-06029	1	TIRE-SOLID-PRO G5-5X8X3.75	
8	56003872	2	NUT-HEX FLANG 1/2-20 SPIRALOCK	
9	56003871	2	SCR-HEX FLANGE 1/2-20 X 2.25	
10	56002116	4	SCR HEX 1/2-13 X 3.25	
11	56002574	1	PIN COT .156X3.	
12	56002770	4	NUT HEX NYL LOC 1/2-13	
13	56507462	1	HUB DRIVE WHEEL	
14	56507099	1	PIN DRIVE YOKE PIVOT	
15	56507280	1	DRIVE YOKE WELDT	

Part Notes:

[1] - (Heavy Duty Solid)



DUST CONTROL SYSTEM-1

SW8000 165 D 4-CYL NIL

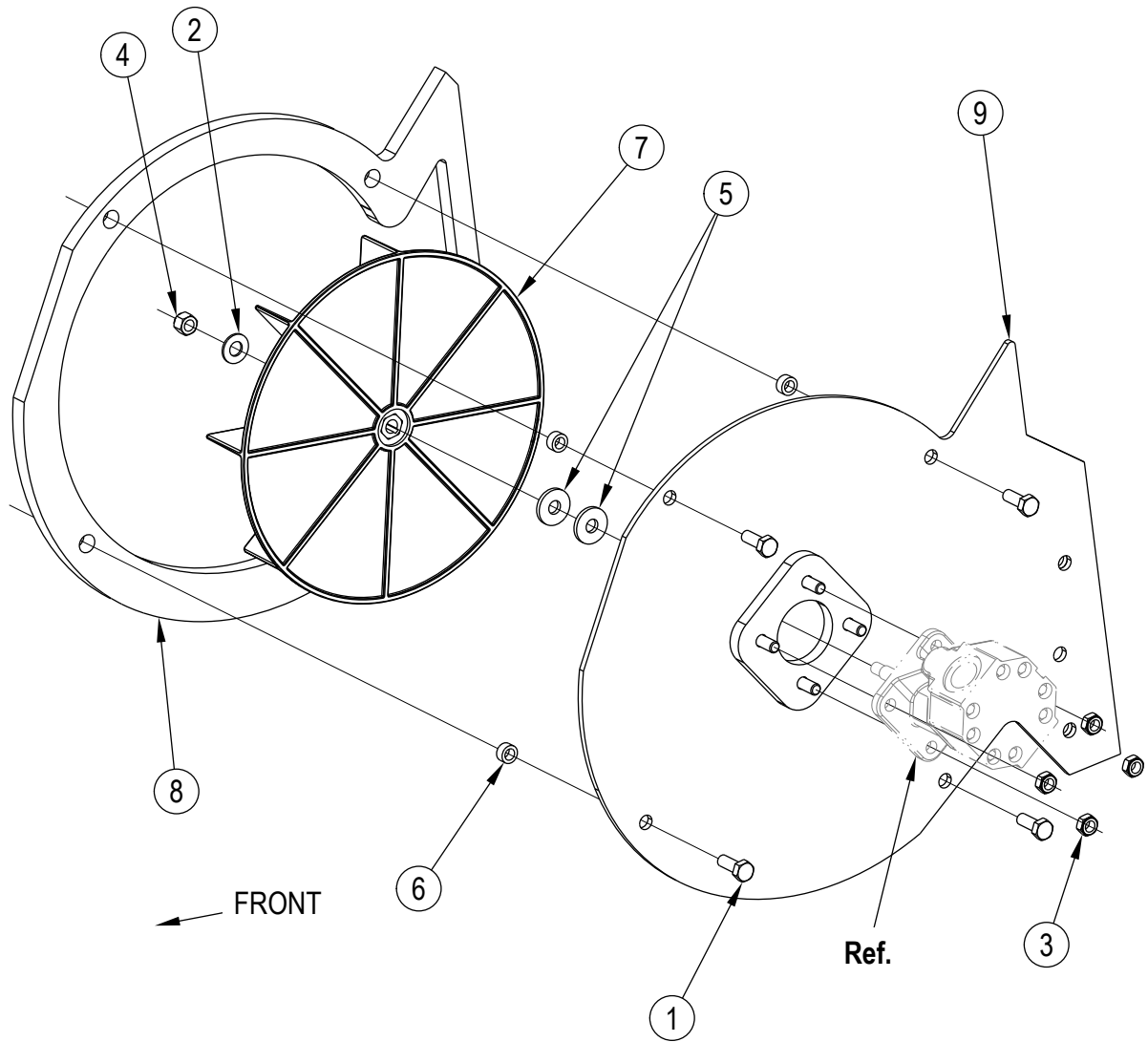
2019.05.07

2019.05.10

Pos.	Product no	QTY	Description	Notes
	56507058	1	PANEL FILTER SHAKER ASSEMBLY	[1]
1	8-24-04139-1	1	FLTR PANEL ULTRA-WEB CELLULOSE	
	56382789	1	FILTER PANEL POLY HIGH FLOW	[2]
2	56370711	4	NUT THUMB	
3	56001806	4	NUT WHZ W/FLANGE 5/16-18	
4	56001878	9	SCR HEX 1/4-20 X 1.25	
5	56002098	8	H FLT SAE 1/4	
6	56002708	13	NUT HEX NYL LOC 1/4-20	
7	56003717	2	SCR SOC SHD .31X.25X1/4-20	
8	56009019	4	SCR HEX THD FORM 1/4-20X .38	
9	56109163	4	ROD THREADED	
10	56507190	1	FILTER SHAKER ASSEMBLY	
11	56508070	1	PLATE FILTER CHAMBER WELDMENT	[3]
12	56508073	1	PLATE DUST	
13	56508088	1	GASKET 1/2 X 1/4	
14	56508089	1	DOOR FILTER CHAMBER WELDMENT	
15	56508700	1	CLAMP FILTER CHAMBER	
16	8-13-07170	1	CLAMP-FILTER	
17	56002015	2	SCR SOC SET LOC 10-24 X .25	
18	56002098	4	H FLT SAE 1/4	
19	56002667	4	SCR HEX 5/16-18 X .75	
20	56002701	4	NUT HEX NYL LOC 5/16-18	
21	56002708	4	NUT HEX NYL LOC 1/4-20	
22	56002769	2	NUT HEX NYL LOC 3/8-16	
23	56003771	2	SCR HEX HD LOC 3/8-16 1.75	
24	56003715	4	SCR CARRIAGE SS 1/4-20X.75	
25	56009085	2	NUT HEX JAM 3/8-16	
26	56478246	1	CABLE TIE E00549 RE438BA	
27	56508664	1	MOTOR 12VDC	
28	56508887	2	CLAMP U-BOLT 3 DIA X 3/8-16	
29	56508772	1	ECCENTRIC	
30	56508703	1	BRACKET LH FILTER SHAKER	
31	56508704	1	BRACKET RH FILTER SHAKER	
32	56508705	1	PLATE SHAKER MOTOR MTG	
33	56508706	1	SHAKER WELDMENT	
34	56002063	2	WSH FLT SAE 3/8	
35	56508737	2	BEARING FL .500 X .375 X .500	
36	56900679	1		

Part Notes:

- [1] - 1-15
- [2] - Optional, Not Included
- [3] - items 16-35



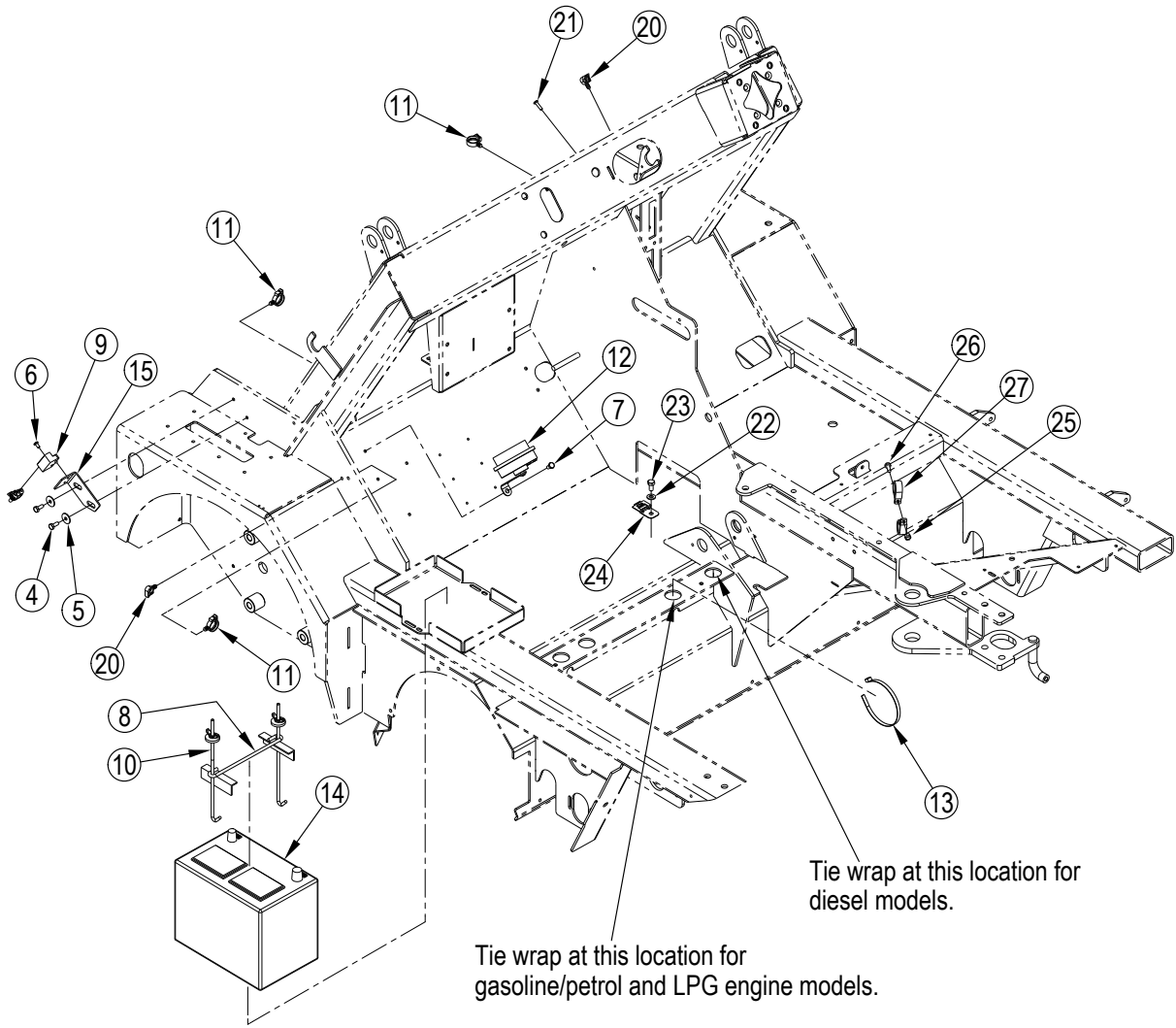
DUST CONTROL SYSTEM-2

SW8000 165 D 4-CYL NIL

2017.11.02

2013.04.02

Pos.	Product no	QTY	Description	Notes
00	56507059	1	VACUUM FAN ASSEMBLY	
01	56002037	4	SCR HEX 5/16-18 X .88	
02	56001939	1	WSH FLT SAE 5/16	
03	56002826	4	NUT HEX NYL LOC-THIN 5/16-18	
04	56002950	1	NUT HEX NYL LOC 5/16-24	
05	56009107	1	WSH FLT SS .378/.373X1.00X.075	
06	56052581	4	SPACER STL--.315IDX.50OD .25L	
07	56418897	1	IMPELLOR	
08	56507198	1	SEAL VACUUM FAN	
09	56507200	1	PLATE VAC MOTOR WELDMENT	



ELECTRICAL SYSTEM

SW8000 165 D 4-CYL NIL

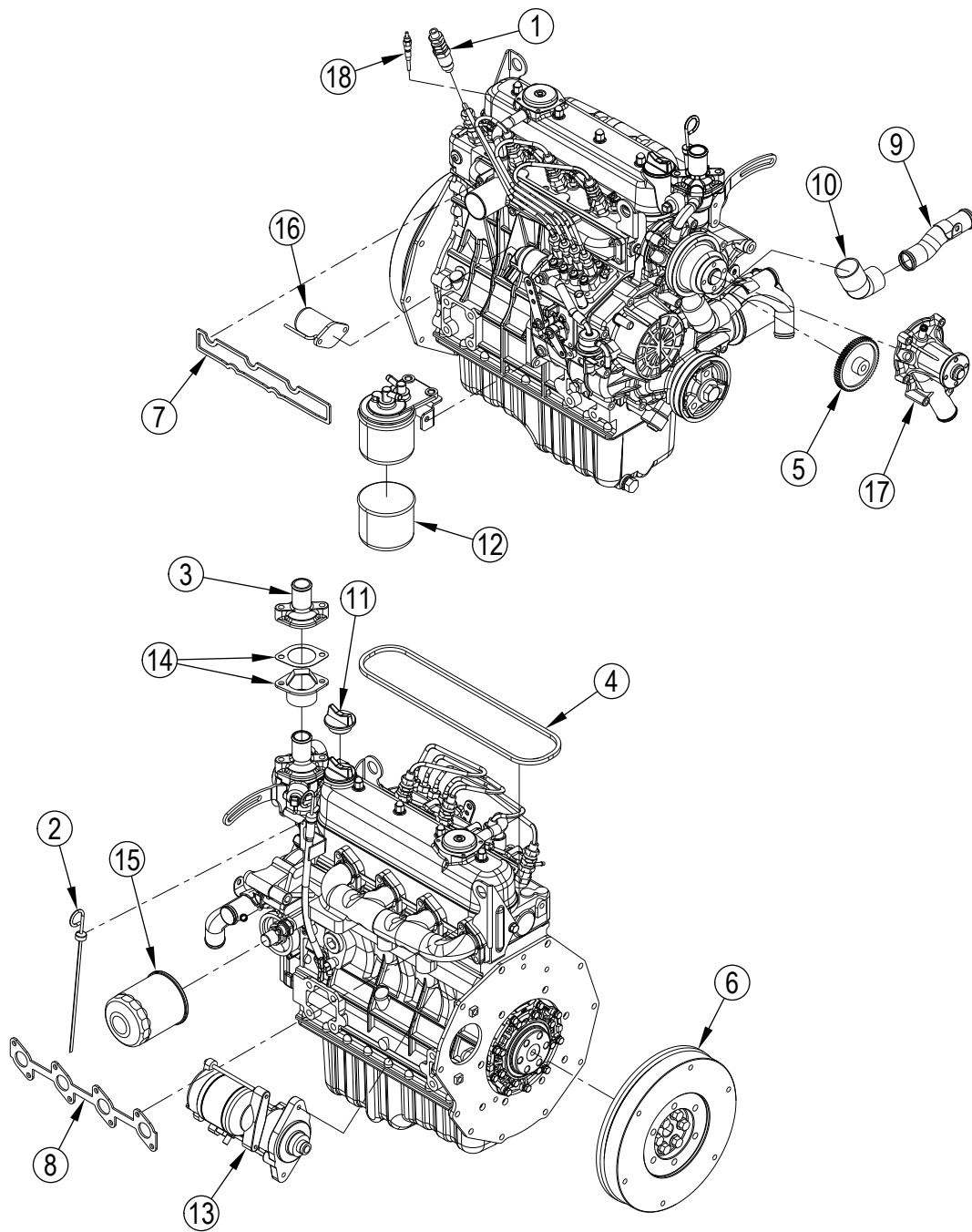
2020.01.21

2020.01.23

Pos.	Product no	QTY	Description	Notes
	56462361	1	CONN.WR.PK.2 WAY FE	
	56492305	1	BOOT	
	56493357	1	INSULATOR TERMINAL	
4	56001836	2	SCR HEX 1/4-20 X .62	
5	56009002	2	WASHER FLAT .266X.906X.060	
6	56009030	1	SCR PAN PHIL THD FOM 10-24X.38	
7	56009033	1	SCR HEX THD FORM 1/4-20X.50	
8	56304445	1	BATTERY HOLD DOWN	
9	56305053	1	SENSOR PROXIMITY	
10	56305112	2	10 J TYPE HOLD DOWN	
11	56410247	5	CLIP .75 CONDUIT E00360	
12	56442054	1	HORN - 12 VDC	
13	56477613	1	CABLE TIE E00549 RE409S+	
14	1467085000	1	BATTERY STARTER 12V 77AH-C20 SIP	
15	56507457	1	MOUNT SENSOR	
	56381701	1	HARNES-MAIN	
	56507679	1	WIRE ASM YEL/BLK 18-11	[1]
	56507680	1	CABLE POSITIVE BATTERY	
	56507681	1	CABLE NEGATIVE BATTERY	
20	56507793	4	CLIP CONDUIT	
	56508006	1	HARNES DIESEL RELAY	[1]
	56508010	1	WIRE ASM GRN/RED 10-1	[1]
	56508013	1	CABLE ASM BLK 6-1	
	56107668	1	SWITCH KIT-OPERATOR PRESENCE	
21	56009005	1	SCR PANPHILS TYPE A 10-16X.75	
22	56001939	1	WSH FLT SAE 5/16	
23	56003178	1	SCR HEX THD TO HD M8-1.25X16MM	
24	56111972	1	CLIP-CONNECTOR	
25	56002708	2	NUT HEX NYL LOC 1/4-20	
26	56002155	2	SCR HEX 1/4-20 X .75	
27	56410223	4	CLAMP P 56E00623	

Part Notes:

[1] - diesel models only. Not Shown



ENGINE BASE ASSY - DIESEL

SW8000 165 D 4-CYL NIL

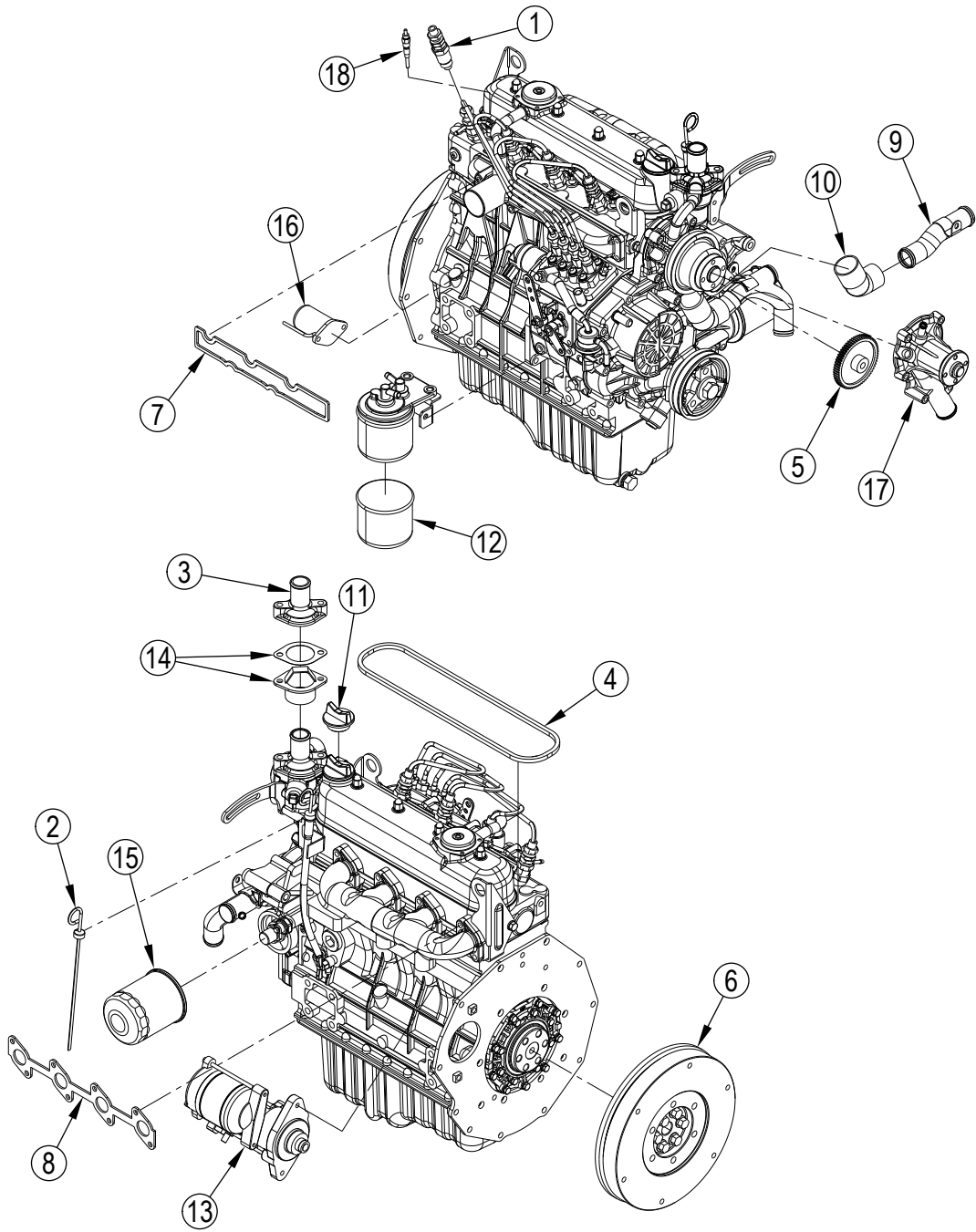
2018.10.12

2018.10.23

Pos.	Product no	QTY	Description	Notes
1	33019750	4	IGNITION UNIT	
2	56107710	1	DIPSTICK	
3	56107716	1	COVER-THERMOSTAT	
4	56107717	1	GASKET-VALVE COVER	
5	56107758	1	CAM GEAR	
6	56107759	1	FLYWHEEL	
7	56107760	1	GASKET INTAKE	
8	56107761	1	GASKET EXHAUST	
9	56381961	1	TUBE COOLANT	
10	56381962	1	HOSE-WATER PUMP INLET	
11	56383025	1	CAP-OIL FILL	
12	56419086	1	FUEL FILTER CARTRIDGE	
13	56419089	1	STARTER MOTOR	
14	56508454	1	THERMOSTAT KIT	
15	56482659	1	OIL FILTER SPIN ON	
16	56508490	1	THROTTLE/SHUT DOWN ACTUATOR	
17	56510970	1	WATER PUMP-D1305	
18	56510975	4	GLOW PLUG	
100	56463590	1	GLOW PLUG TIMER	
100	56110738	1	ALTERNATOR 105 AMP	
100	56508393	1	BELT VEE	
100	56419088	1	THERMOSTAT	
100	56508489	1	THERMOSTAT GASKET	
100	56508444	1	SWITCH PRESSURE	
100	56419091	1	SWITCH TEMPERATURE	
100	56508355	1	FUEL PUMP ELECTRONIC	[1]
100	56508470	1	OPERATOR MANUAL	
100	56504545	1	SEAL-CRANK -OIL-FRONT	
100	56504546	1	SEAL-CRANK -OIL-REAR	
100	56382861	1	COUPLING PUMP DRIVE-KUBOTA	
100	56107762	1	GASKET SET-UPPER	
100	56107763	1	GASKET SET-LOWER	

Part Notes:

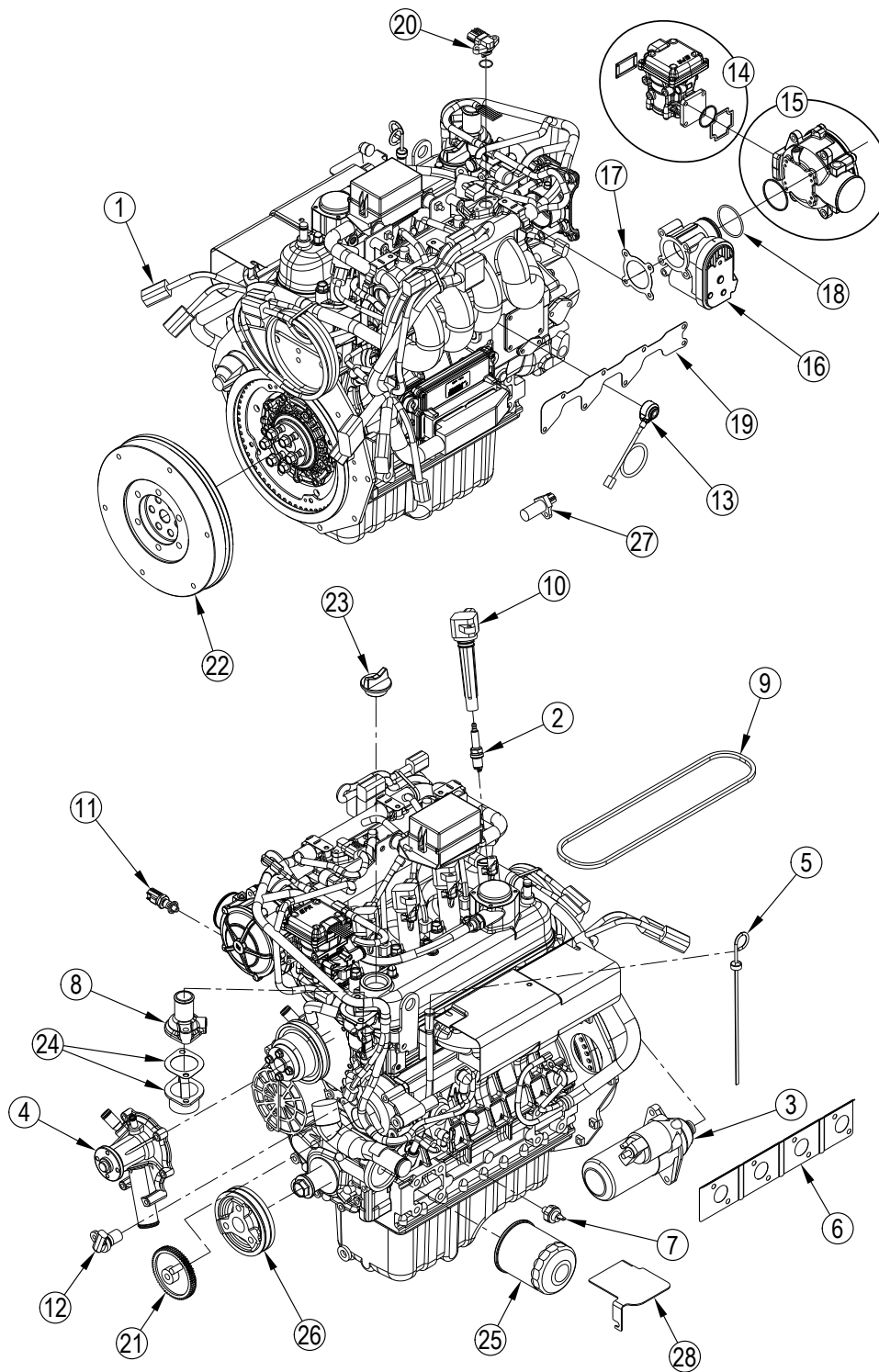
[1] - Shipped with the engine.



Pos.	Product no	QTY	Description	Notes
1	33019750	4	IGNITION UNIT	
2	56107710	1	DIPSTICK	
3	56107716	1	COVER-THERMOSTAT	
4	56107717	1	GASKET-VALVE COVER	
5	56107758	1	CAM GEAR	
6	56107759	1	FLYWHEEL	
7	56107760	1	GASKET INTAKE	
8	56107761	1	GASKET EXHAUST	
9	56381961	1	TUBE COOLANT	
10	56381962	1	HOSE-WATER PUMP INLET	
11	56383025	1	CAP-OIL FILL	
12	56419086	1	FUEL FILTER CARTRIDGE	
13	56419089	1	STARTER MOTOR	
14	56508454	1	THERMOSTAT KIT	
15	56482659	1	OIL FILTER SPIN ON	
16	56508490	1	THROTTLE/SHUT DOWN ACTUATOR	
17	56510970	1	WATER PUMP-D1305	
18	56119595	4		
	56463590	1	GLOW PLUG TIMER	
	56110738	1	ALTERNATOR 105 AMP	
	56508393	1	BELT VEE	
	56419088	1	THERMOSTAT	
	56508489	1	THERMOSTAT GASKET	
	56508444	1	SWITCH PRESSURE	
	56419091	1	SWITCH TEMPERATURE	
	56508355	1	FUEL PUMP ELECTRONIC	[1]
	56508470	1	OPERATOR MANUAL	
	56504545	1	SEAL-CRANK -OIL-FRONT	
	56504546	1	SEAL-CRANK -OIL-REAR	
	56382861	1	COUPLING PUMP DRIVE-KUBOTA	
	56107762	1	GASKET SET-UPPER	
	56107763	1	GASKET SET-LOWER	

Part Notes:

[1] - Shipped with the engine.



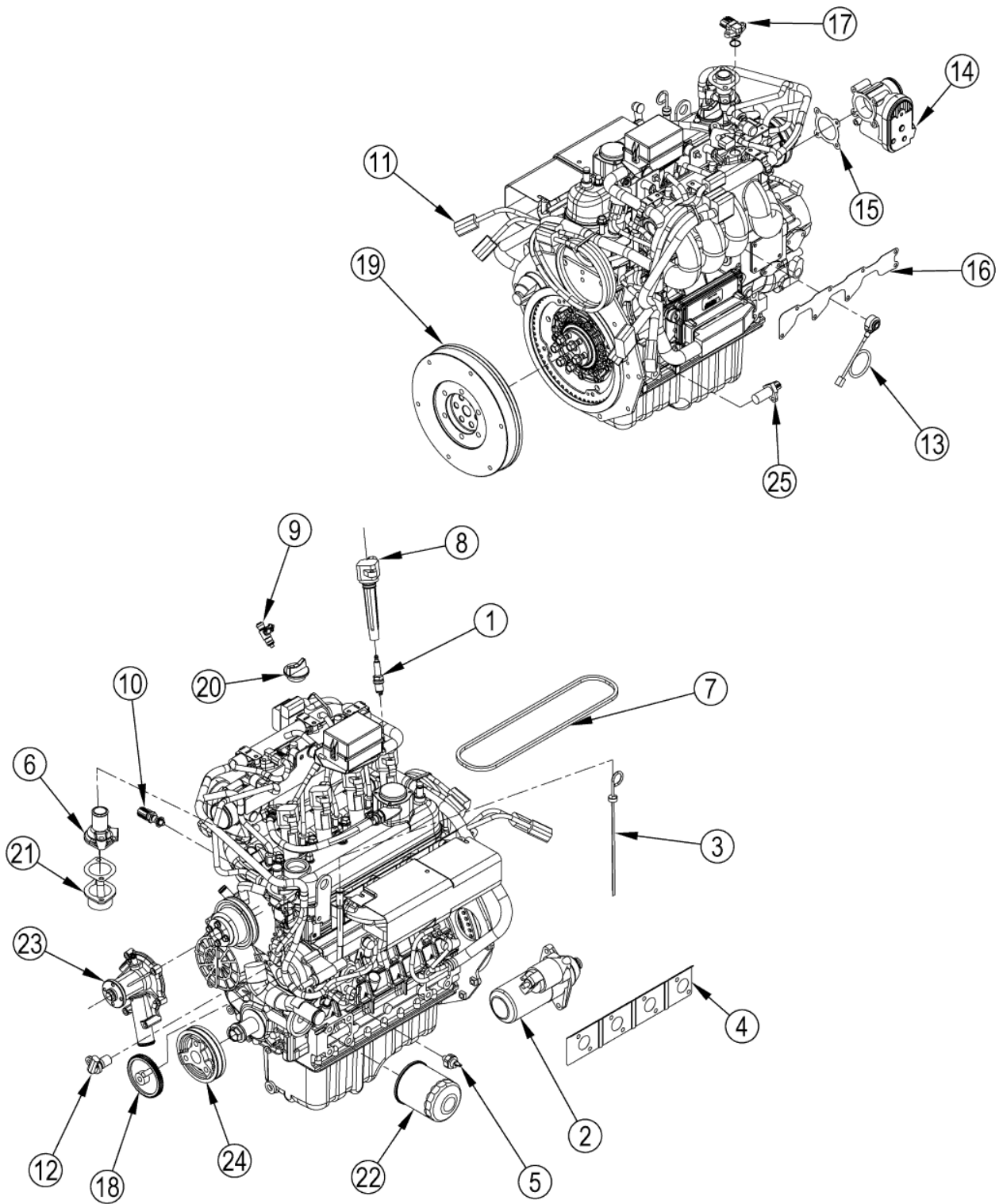
ENGINE BASE ASSY - LPG

SW8000 165 D 4-CYL NIL

2019.05.07

2019.05.10

Pos.	Product no	QTY	Description	Notes
1	56107705	1	HARNES-KUBOTA 4 CYL LPG	
2	56107706	4	SPARK PLUG	
3	56107707	1	STARTER	
4	56107708	1	WATER PUMP ASSY-LPG	
5	56107710	1	DIPSTICK	
6	56107711	1	GASKET-EXHAUST MANIFOLD	
7	56107712	1	OIL PRESSURE SWITCH	
8	56107716	1	COVER-THERMOSTAT	
9	56107717	1	GASKET-VALVE COVER	
10	56107718	4	IGNITION COIL	
11	56107721	1	WATER TEMP SENSOR W/SEAL	
12	56107736	1	CAM SENSOR	
13	56107737	1	KNOCK SENSOR	
14	56107738	1	DEPR ASSY	
15	56107739	1	MIXER ASSY	
16	56107740	1	THROTTLE BODY	
17	56107741	1	GASKET THROTTLE BODY	
18	56107742	1	O-RING	
19	56107743	1	GASKET INTAKE MANIFOLD	
20	56107744	1	TMAP SENSOR	
21	56107745	1	CAM GEAR	
22	56107746	1	FLYWHEEL	
23	56383025	1	CAP-OIL FILL	
24	56508454	1	THERMOSTAT KIT	
25	56482659	1	OIL FILTER SPIN ON	
26	56510973	1	PULLEY-CRANKSHAFT	
27	2-00-06354	1	CRANK/RPM SENSOR	
28	56394322	1	SHIELD-WG1605 EXH MANIFOLD	
	56107713	1	GASKET SET-UPPER	
	56107714	1	GASKET SET-LOWER	
	56107748	2	FUSE-15 AMP	
	56107749	1	FUSE-10 AMP	
	56107750	2	FUSE-5 AMP	
	56107751	1	MICRO RELAY-35A/20A	
	56107752	1	MINI RELAY-50A/30A	



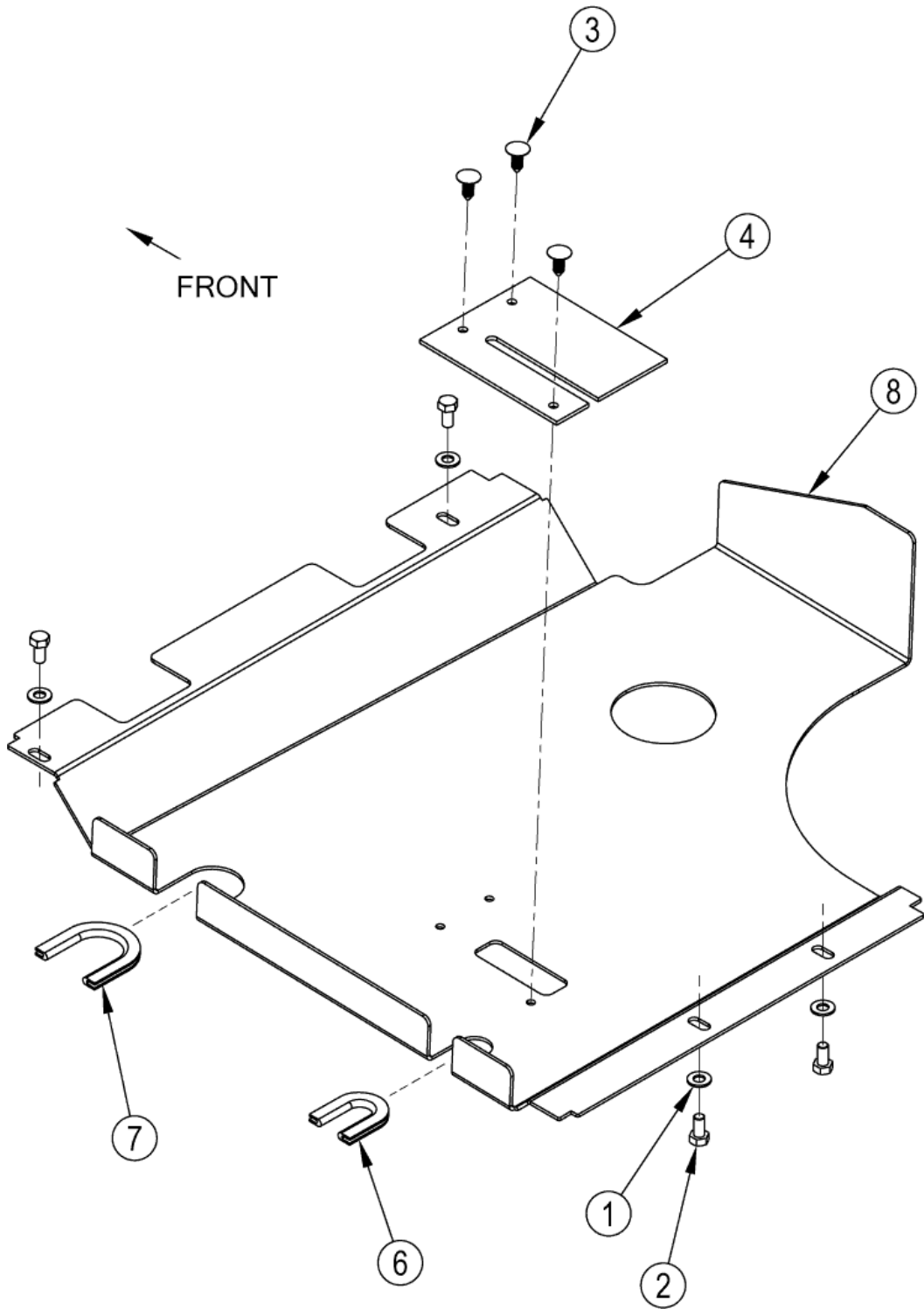
ENGINE BASE ASSY - PETROL

SW8000 165 D 4-CYL NIL

2017.11.02

2019.05.10

Pos.	Product no	QTY	Description	Notes
1	56107706	4	SPARK PLUG	
2	56107707	1	STARTER	
3	56107710	1	DIPSTICK	
4	56107711	1	GASKET-EXHAUST MANIFOLD	
5	56107712	1	OIL PRESSURE SWITCH	
6	56107716	1	COVER-THERMOSTAT	
7	56107717	1	GASKET-VALVE COVER	
8	56107718	4	IGNITION COIL	
9	56107720	4	INJECTOR	
10	56107721	1	WATER TEMP SENSOR W/SEAL	
11	56107723	1	HARNESS-KUBOTA 4 CYL PETROL	
12	56107736	1	CAM SENSOR	
13	56107737	1	KNOCK SENSOR	
14	56107740	1	THROTTLE BODY	
15	56107741	1	GASKET THROTTLE BODY	
16	56107743	1	GASKET INTAKE MANIFOLD	
17	56107744	1	TMAP SENSOR	
18	56107745	1	CAM GEAR	
19	56107746	1	FLYWHEEL	
20	56383025	1	CAP-OIL FILL	
21	56508454	1	THERMOSTAT KIT	
22	56482659	1	OIL FILTER SPIN ON	
23	56510970	1	WATER PUMP-D1305	
24	56510973	1	PULLEY-CRANKSHAFT	
25	2-00-06354	1	CRANK/RPM SENSOR	
100	56107713	1	GASKET SET-UPPER	
100	56107714	1	GASKET SET-LOWER	
100	56107748	3	FUSE-15 AMP	
100	56107749	1	FUSE-10 AMP	
100	56107750	1	FUSE-5 AMP	
100	56107751	2	MICRO RELAY-35A/20A	
100	56107752	1	MINI RELAY-50A/30A	



ENGINE BOTTOM COVER ASSY - DIESEL

SW8000 165 D 4-CYL NIL

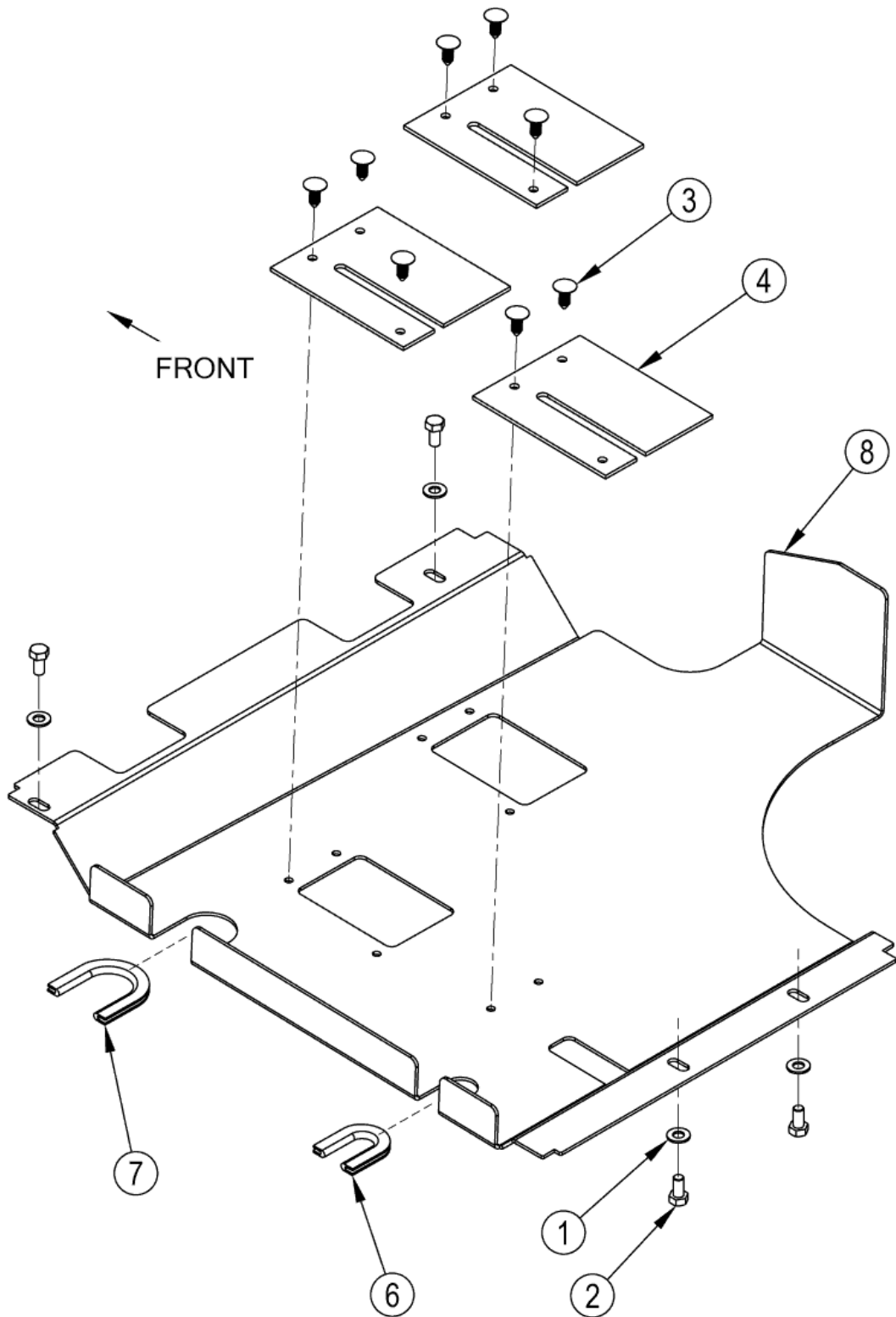
2017.11.02

2013.04.02

Pos.	Product no	QTY	Description	Notes
00	56107622	1	BOTTOM ENGINE COVER ASSY	[1]
01	56001939	4	WSH FLT SAE 5/16	
02	56002929	4	SCR HEX LOC 5/16-18 X .62	
03	56003263	3	RIVET NYLON TREE PUSH-IN.25	
04	56107608	1	SEAL BOTTOM COVER	
06	56107610	1	TRIM-EDGE	
07	56107611	1	TRIM-EDGE	
08	56107623	1	BOTTOM ENGINE COVER	

Part Notes:

[1] - (items 1-8)



ENGINE BOTTOM COVER ASSY - LPG-PETROL

SW8000 165 D 4-CYL NIL

2017.11.02

2013.04.02

Pos.	Product no	QTY	Description	Notes
00	56107606	1	BOTTOM ENGINE COVER ASSY	[1]
01	56001939	4	WSH FLT SAE 5/16	
02	56002929	4	SCR HEX LOC 5/16-18 X .62	
03	56003263	8	RIVET NYLON TREE PUSH-IN.25	
04	56107608	3	SEAL BOTTOM COVER	
06	56107610	1	TRIM-EDGE	
07	56107611	1	TRIM-EDGE	
08	56107607	1	BOTTOM ENGINE COVER	

Part Notes:

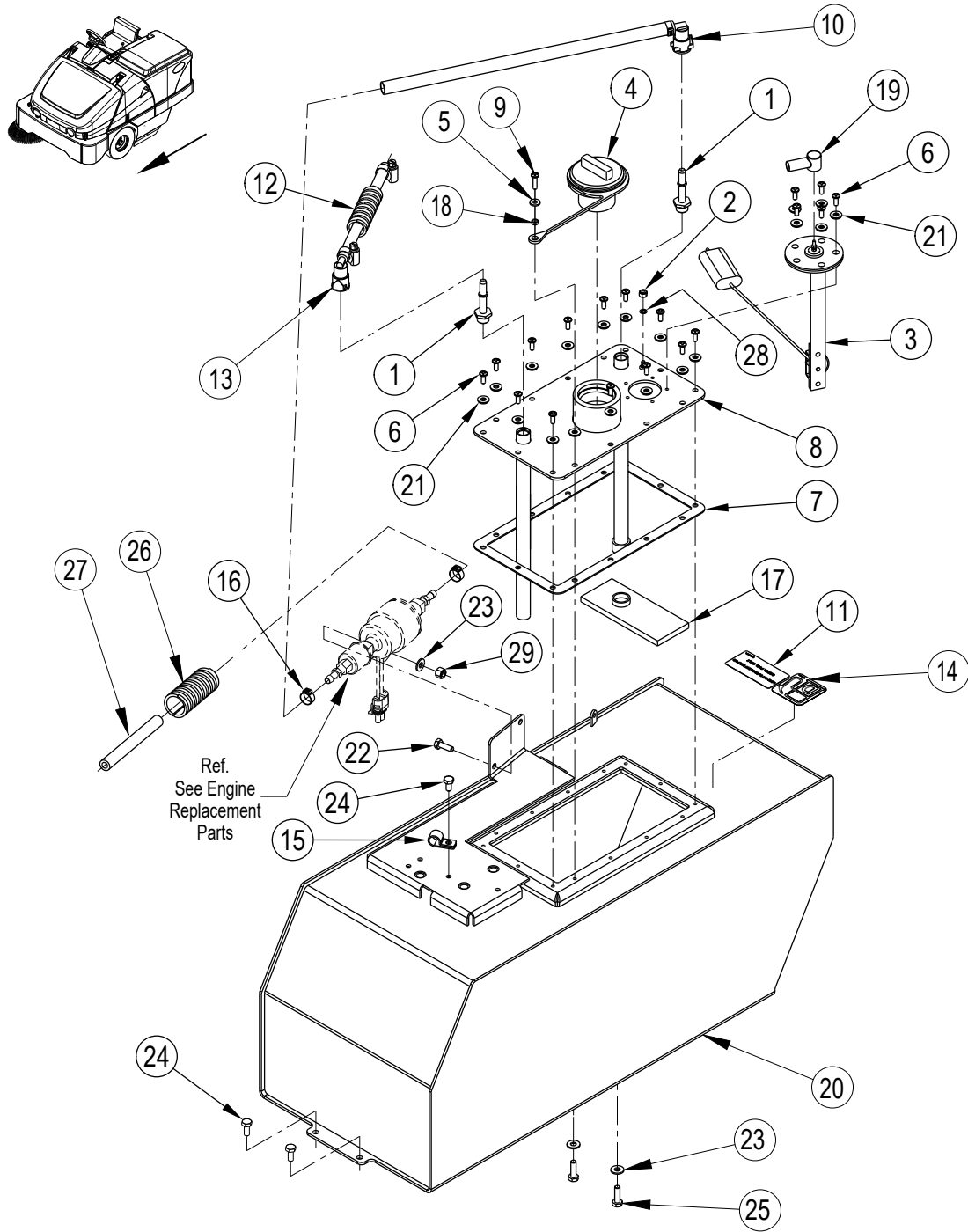
[1] - (items 1-8)

ENGINE KUBOTA DIESEL FUEL TANK ASSY

SW8000 165 D 4-CYL NIL

2017.11.02

2019.05.13



ENGINE KUBOTA DIESEL FUEL TANK ASSY

SW8000 165 D 4-CYL NIL

2017.11.02

2019.05.13

Pos.	Product no	QTY	Description	Notes
0	56108183	1	DIESEL TANK ASSY	[1]
1	7-11-04083	2	FITTING -6 STOR-5/16 SAE J2044	
2	56002808	1	NUT HEX NYL LOC 8-32	
3	56478358	1	SENDER FUEL LEVEL RE437A	
4	56508354	1	FUEL CAP	
5	56001954	1	WSH FLT SAE 10	
6	56001993	18	SCREW 10-24 X 0.5 ZINC PL	
7	56508349	1	GASKET COVER	
8	56508348	1	COVER PLATE WELDT	
9	56002192	1	SCR PAN PHIL 10-24 X .75	
10	56507957	1	HOSE ASSY	[2]
11	56109404	1	DECAL-LOW SULFUR DIESEL	
12	56508654	1	CONDUIT	
13	56508646	1	HOSE ASSY	
14	56025454	1	DECAL DIESEL FUEL	
15	56486112	1	CLAMP P	
16	56508515	2	CLAMP	
17	56419307	1	GASOLINE STRAINER-30 MICRON	
18	56454275	1	BUSHING .20X.31X.12	
19	56492305	1	BOOT	
20	56507946	1	TANK FUEL WELDMENT	
21	56209261	19	WASHER SEALING	
22	2-00-00221	1	SCW-HHC .25-20 X .75 GR 8 ZN	
23	56002098	3	H FLT SAE 1/4	
24	56009033	3	SCR HEX THD FORM 1/4-20X.50	
25	56002948	2	SCR HEX LOC-1/4-20 X 0.75	
26	56508357	1	CONDUIT	
27	56508358	1	HOSE FUEL LINE	
28	2-00-00506	1	LK WASH INT TOOTH 8 DIA SCREW	
29	56002708	1	NUT HEX NYL LOC 1/4-20	
	56384497	2		

Part Notes:

- [1] - items 1-11, 14-24, 28-30
- [2] - TSB-FC-2015-011 SW8000 Fuel Line Placementand DE TSB-FC-2015-011 SW8000 geklemmte Kraftstoffschläuche Motor ohne Leist..

ENGINE KUBOTA DIESEL SYSTEM-1

SW8000 165 D 4-CYL NIL

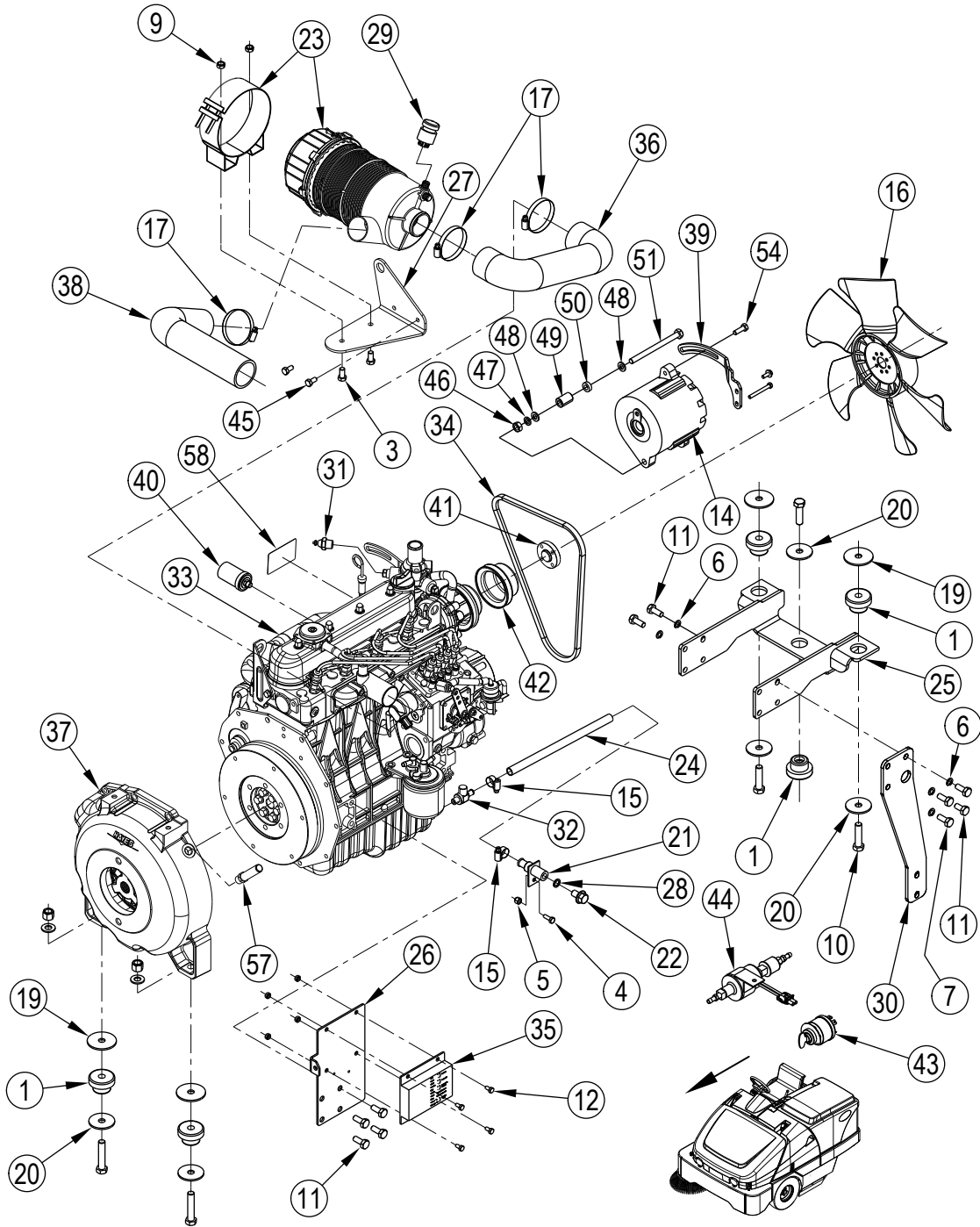
2019.05.07

2019.05.13

Pos.	Product no	QTY	Description	Notes
1	56478685	5	MOUNT-RUBBER-ENGINE	
3	56002127	2	SCR HEX 3/8-16 X .75	
4	56002155	1	SCR HEX 1/4-20 X .75	
5	56002708	1	NUT HEX NYL LOC 1/4-20	
6		6	Washer, Star Zinc – M10	
7		2	Bolt, Hex Flng Zinc GR 10.9 – M10 x 1.25 x 30mm	
9	56002841	2	NUT HEX NYL LOC-THIN 3/8-16	
10	56002983	2	SCR HEX 1/2-13 X 2.00	
11	56003019	10	SCR HEX M10-1.25 X 25 MM	
12	56003155	4	SCR HEX M6-1.0 X 12MM	
14	56110738	1	ALTERNATOR 105 AMP	
15	56219932	2	CLAMP HOSE SAE 6 E00047	
16	56510140	1	FAN-COOLING	[1]
17	56456797	3	CLAMP HOSE	
19	56507444	2	WASHER ISOLATOR HEAD	
20	56507448	7	WASHER ISOLATOR TAIL	
21	56507496	1	REMOTE OIL DRAIN OUTLET	
22	56507497	1	OIL DRAIN PLUG	
23	56384031	1	AIR CLEANER ASSY	
	7-24-04066	1	FILTER AIR SAFETY ELEMENT	
	7-24-04065	1	FILTER AIR MAIN ELEMENT	
24	56507964	1	HOSE HYDRAULIC	[2]
25	56507988	1	BRACKET ENGINE MOUNT DIESEL	
26	56507991	1	BRACKET FUEL PUMP	
27	56508938	1	BRACKET AIR FILTER	
28	56507998	1	SEAL	
29	56507999	1	INDICATOR AIR	
30	56508212	1	BRACKET MUFFLER HANGER	
31	56419091	1	SWITCH TEMPERATURE	
32	56508375	1	ADAPTER	
33		1	Engine, 4 Cyl Diesel	
34	56508393	1	BELT VEE	
35	56508400	1	CONTROLLER-THROTTLE	
36	56508402	1	HOSE AIR INTAKE	
37	56508403	1	BELL HOUSING	
38	56508404	1	HOSE AIR INTAKE	
39	56508429	1	BRACKET ALTERNATOR	
	56508004	1	HARNES KUBOTA DIESEL	
40	56508444	1	SWITCH PRESSURE	
41	56508941	1	SPACER FAN	
42	56307249	1	PULLEY FAN 89MM	
43	56497754	1	KEY SWITCH	
44	56508355	1	FUEL PUMP ELECTRONIC	[3]
45	56003178	2	SCR HEX THD TO HD M8-1.25X16MM	
46	56003945	1	NUT-HEX M10-1.25	
47	56003684	1	WSH NORD-LOCK M10	
48	56009214	2	WSH FLT .406X.750X.090	
49	56107747	1	SPACER	
50	56507795	1	SPACER COIL BRACKET	
51	56003944	1	SCR-HEX M10-1.25 X 130MM	
54	56003436	1	SCR HEX SS M8-1.25X25MM	
57	56111319	1	SPEED SENSOR	
58	56394264	1		

Part Notes:

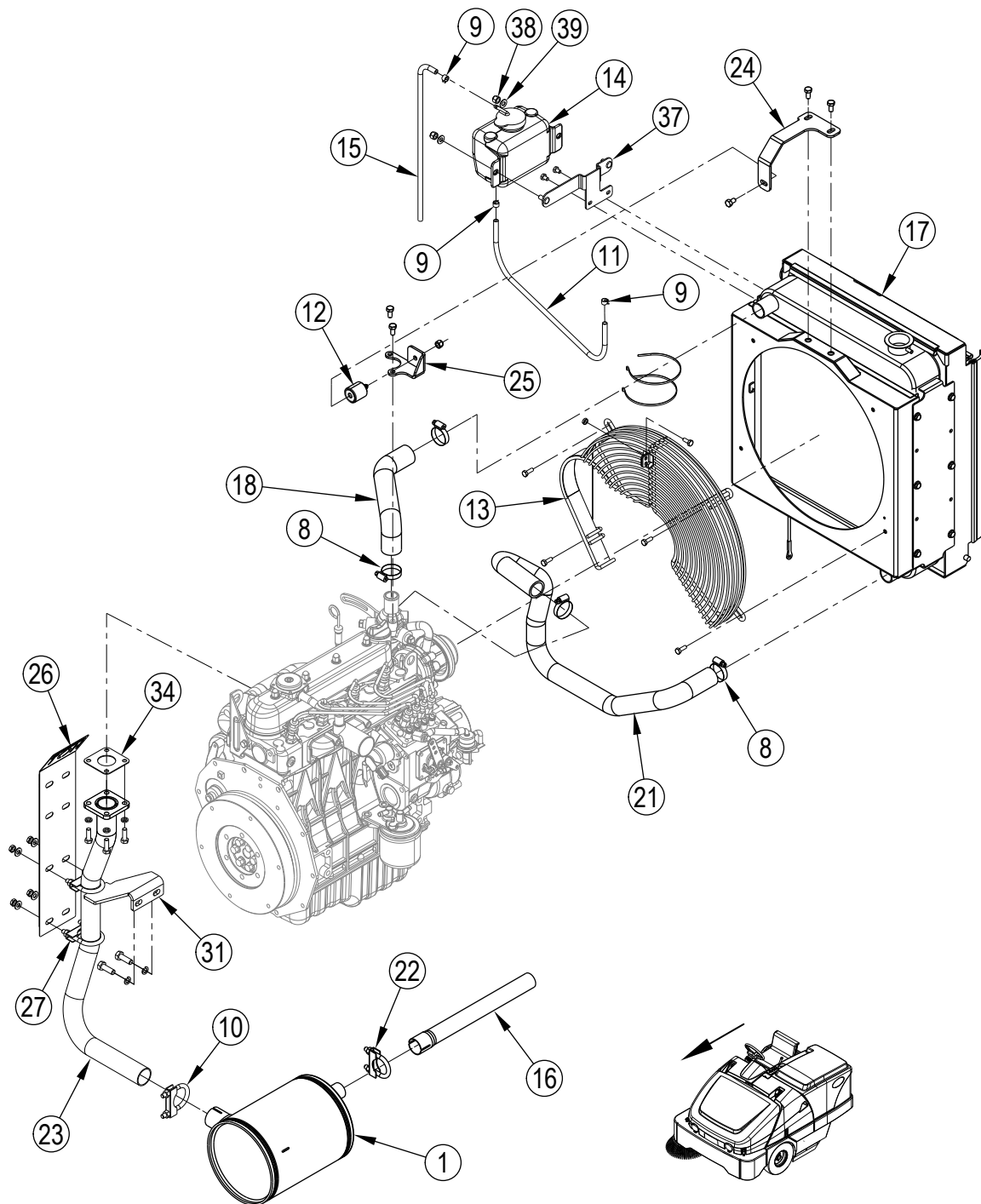
- [1] - For replacement on model 56107517 order Fan 56462870.
- [2] - OPENED BY MISTAKE
- [3] - Shipped with the engine.



Pos.	Product no	QTY	Description	Notes
1	56478685	5	MOUNT-RUBBER-ENGINE	
3		2	Bolt, Ser Hex Flng Zinc GR 8.8 – M8 x 1.25 x 20mm	
4	56002155	1	SCR HEX 1/4-20 X .75	
5	56002708	1	NUT HEX NYL LOC 1/4-20	
6		6	Washer, Star Zinc – M10	
7		3	Bolt, Hex Flng Zinc GR 10.9 – M10 x 1.25 x 30mm	
9		2	Nut, Ser Hex Flng GR 8.8 Zinc – M8 x 1.25	
10		2	Bolt, Ser Hex Flng Zinc GR5 – ½-13x2.0"	
11		10	Bolt, Hex Flng Zinc GR 10.9 - M10-1.25 X 20mm	
12		4	Bolt, M6 X 1.0 X 14MM, Hex HD Plain Flange Zinc	
14	56110738	1	ALTERNATOR 105 AMP	
15	56219932	2	CLAMP HOSE SAE 6 E00047	
16	56510140	1	FAN-COOLING	
17	56440213	3	CLAMP HOSE SAE 32E00047	
19	56507444	2	WASHER ISOLATOR HEAD	
20	56507448	7	WASHER ISOLATOR TAIL	
21	56507496	1	REMOTE OIL DRAIN OUTLET	
22	56507497	1	OIL DRAIN PLUG	
23	56384031	1	AIR CLEANER ASSY	
	7-24-04066	1	FILTER AIR SAFETY ELEMENT	
	7-24-04065	1	FILTER AIR MAIN ELEMENT	
24	56507964	1	HOSE HYDRAULIC	[1]
25	56507988	1	BRACKET ENGINE MOUNT DIESEL	
26	56507991	1	BRACKET FUEL PUMP	
27	56508938	1	BRACKET AIR FILTER	
28	56507998	1	SEAL	
29	56507999	1	INDICATOR AIR	
30	56508212	1	BRACKET MUFFLER HANGER	
31	56419091	1	SWITCH TEMPERATURE	
32	56508375	1	ADAPTER	
33		1	Engine, 4 Cyl Diesel	
34	56508393	1	BELT VEE	
35	56119581	1		
36	56508402	1	HOSE AIR INTAKE	
37	56508403	1	BELL HOUSING	
38	56508404	1	HOSE AIR INTAKE	
39	56508429	1	BRACKET ALTERNATOR	
	56508004	1	HARNES KUBOTA DIESEL	
40	56508444	1	SWITCH PRESSURE	
41	56508941	1	SPACER FAN	
42	56307249	1	PULLEY FAN 89MM	
43	56497754	1	KEY SWITCH	
44	56508355	1	FUEL PUMP ELECTRONIC	[2]
45		2	Bolt, Ser Hex Flng Zinc GR 8.8 - M8-x1.25x15	
46	56003945	1	NUT-HEX M10-1.25	
47	56003684	1	WSH NORD-LOCK M10	
48	56009214	2	WSH FLT .406X.750X.090	
49	56107747	1	SPACER	
50	56507795	1	SPACER COIL BRACKET	
51	56003944	1	SCR-HEX M10-1.25 X 130MM	
54		1	Bolt, Ser Hex Flng Zinc GR 8.8 - M8x1.25x25	
57	56111319	1	SPEED SENSOR	
58	56394264	1		

Part Notes:

- [1] - OPENED BY MISTAKE
- [2] - Shipped with the engine.



Resource notes:

NOTE 1: Replacement part for rubber elbow which connects directly to the water pump.

ENGINE KUBOTA DIESEL SYSTEM-2

SW8000 165 D 4-CYL NIL

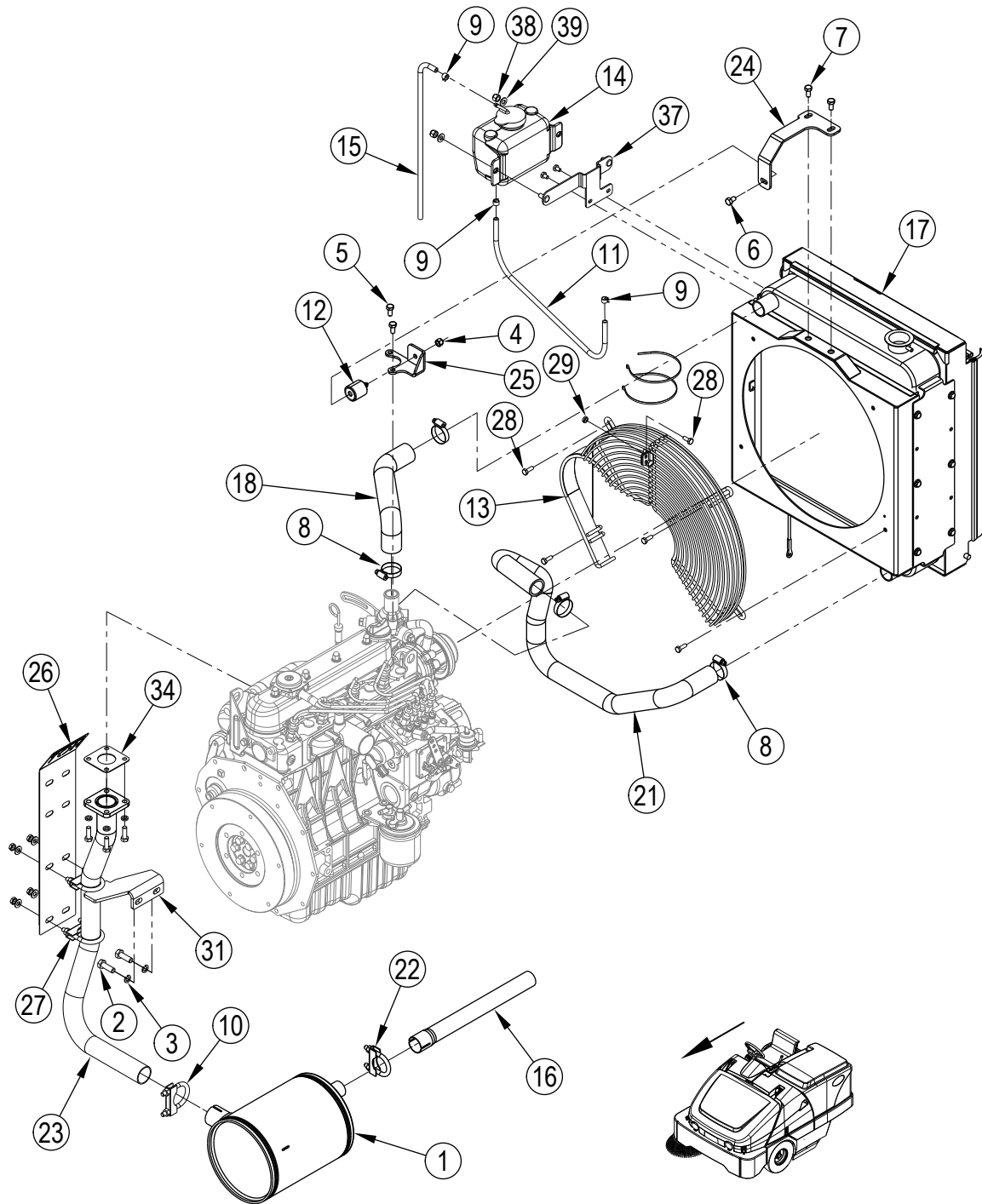
2018.10.12

2019.05.13

Pos.	Product no	QTY	Description	Notes
1	7-49-00038	1	MUFFLER SC 7740	
8	56413839	5	CLAMP HOSE WORM DRIVE	
9	56419118	3	CLAMP HOSE BAND 56E00615	
10	56456833	1	MUFFLER CLAMP 1 5/8 E00025	
11	56465028	1	HOSE ASSY 1/4X22.00 E00529	
12	56507372	1	ISOLATOR ENGINE	
13	56107643	1	FAN GUARD ASSY	
14	56394231	1	DECAL-CR1500 LEFT SIDE	
15	56507798	1	HOSE COOLANT OVERFLOW	
16	56507871	1	TAIL PIPE	
17		1	Radiator Assy (See Radiator Assembly)	[1]
18	56508378	1	HOSE UPPER RADIATOR	
21	56508942	1	HOSE LOWER COOLANT	
21	56381962	1	HOSE-WATER PUMP INLET	
22	56508391	1	CLAMP MUFFLER	
23	56508397	1	EXHAUST ASSEMBLY	
24	56508427	1	BRACKET RADIATOR SUPPORT	
25	56508428	1	BRACKET RADIATOR ISO SUPPORT	
26	56507449	1	SHIELD EXHAUST HEAT	
27	56343236	2	CLAMP MUFFLER AS42U E00025	
31	56508910	1	EXHAUST PIPE BRACKET	
34	56419107	1	EXHAUST GASKET	[2]
37	56107822	1	BRACKET-OVERFLOW BOTTLE	
38	56002701	1	NUT HEX NYL LOC 5/16-18	
39	56001939	2	WSH FLT SAE 5/16	

Part Notes:

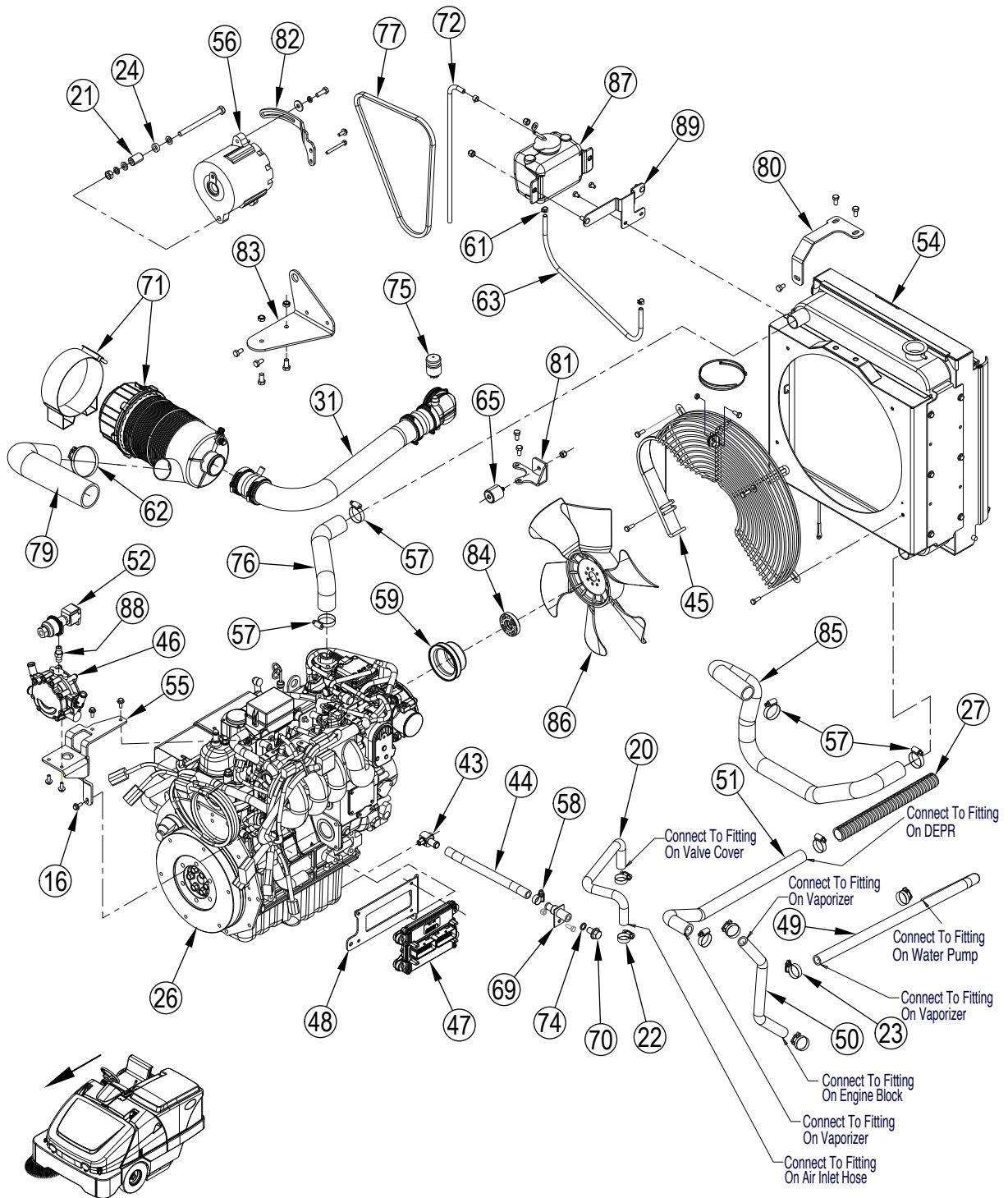
- [1] - See RADIATOR ASSY
- [2] - Shipped with the engine.



Pos.	Product no	QTY	Description	Notes
1	7-49-00038	1	MUFFLER SC 7740	
2		2	Bolt, M10-1.25x30 GR 10.9	
3		2	Washer, Star Zinc - M10	
4		1	Nut, Ser Hex Flng GR 8.8 Zinc - M8x1.25	
5		2	Bolt, Ser Hex Flng Zinc GR 8.8 - M8x1.25x35	
6		1	Bolt, Ser Hex Flng Zinc GR 8.8 - M8x1.25x20mm	
7		2	Bolt, Ser Hex Flng Zinc GR5 - 5/16-18x.75"	
8	56413839	4	CLAMP HOSE WORM DRIVE	
9	56419118	3	CLAMP HOSE BAND 56E00615	
10	56456833	1	MUFFLER CLAMP 1 5/8 E00025	
11	56465028	1	HOSE ASSY 1/4X22.00 E00529	
12	56507372	1	ISOLATOR ENGINE	
13	56107643	1	FAN GUARD ASSY	
14	56394241	1	BOTTLE-OVERFLOW	
15	56507798	1	HOSE COOLANT OVERFLOW	
16	56507871	1	TAIL PIPE	
17		1	Radiator Assy	[1]
18	56508378	1	HOSE UPPER RADIATOR	
21	56508942	1	HOSE LOWER COOLANT	
	56381962	1	HOSE-WATER PUMP INLET	[2]
22	56508391	1	CLAMP MUFFLER	
23	56508397	1	EXHAUST ASSEMBLY	
24	56508427	1	BRACKET RADIATOR SUPPORT	
25	56508428	1	BRACKET RADIATOR ISO SUPPORT	
26	56507449	1	SHIELD EXHAUST HEAT	
27	56343236	1	CLAMP MUFFLER AS42U E00025	
28		6	Bolt, Hex Flng Zinc GR5 - 1/4-20x5/8"	
29		2	Nut, Hex Flng Zinc - 1/4-20	
31	56508910	1	EXHAUST PIPE BRACKET	
34	56419107	1	EXHAUST GASKET	[3]
37	56107822	1	BRACKET-OVERFLOW BOTTLE	
38	56002701	2	NUT HEX NYL LOC 5/16-18	
39	56001939	2	WSH FLT SAE 5/16	

Part Notes:

- [1] - See RADIATOR ASSY
- [2] - Replacement part for rubber elbow which connects directly to the water pump.
- [3] - Shipped with the engine.



Resource notes:

ENGINE REPLACEMENT PARTS : Pos. 90 - 108

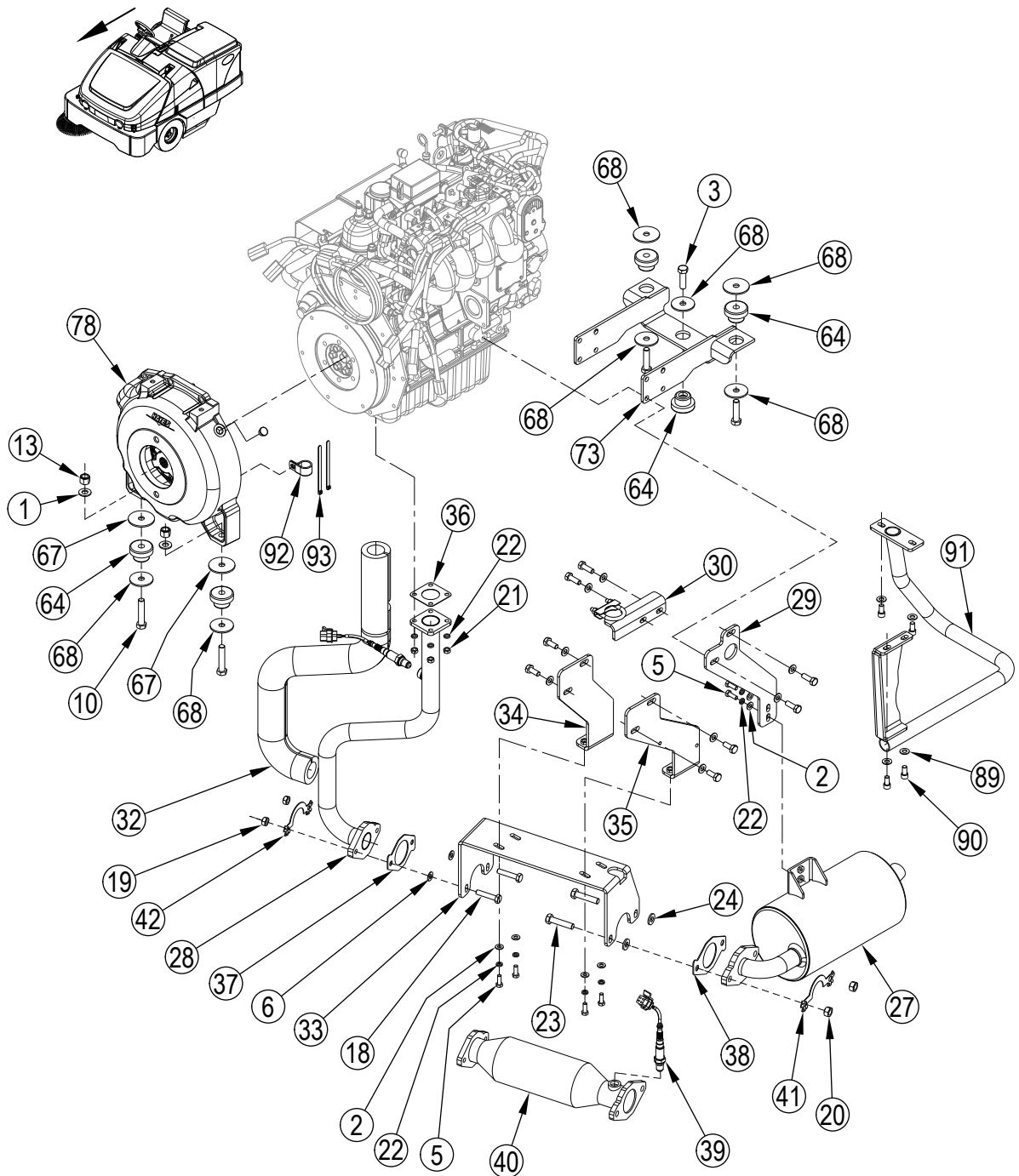
ENGINE LPG SYSTEM-1

SW8000 165 D 4-CYL NIL

2019.05.07

2019.05.10

Pos.	Product no	QTY	Description	Notes
20	56107735	1	HOSE BREATHER	
21	56107747	1	SPACER	
22	56112771	4	CLAMP HOSE SAE 10 E00047	
23	56244969	2	CLAMP HOSE SAE 12 E00047	
24	56507795	1	SPACER COIL BRACKET	
26		1	Engine Base-Kubota 4-Cyl LPG	
27	56459890	1	CONDUIT	
31	56107577	1	HOSE INTAKE ASSY LP	
43	56107618	1	REMOTE OIL DRAIN VALVE ASSY	
44	56107620	1	HOSE-HYDRAULIC	
45	56107643	1	FAN GUARD ASSY	
46	56107646	1	VAPORIZER	
47	56107647	1	ECU-KUBOTA LPG	
48	56107648	1	ECU-MOUNT PLATE	
49	56107649	1	HOSE-COOLANT-VAPORIZER RETURN	
50	56107650	1	HOSE-COOLANT-VAPORIZER SUPPLY	
51	56107651	1	LPG HOSE-VAPORIZER	
52	56107652	1	FUEL-SOLENOID	
	56107653	1	OPERATOR MANUAL	
54		1	Radiator Assy-6 Fin	
55	56107676	1	BRACKET-VAPORIZER	
56	56110738	1	ALTERNATOR 105 AMP	
	56510971	1	PULLEY-ALTERNATOR	
57	56413839	4	CLAMP HOSE WORM DRIVE	
58	56219932	4	CLAMP HOSE SAE 6 E00047	
59	56307249	1	PULLEY FAN 89MM	
61	56419118	3	CLAMP HOSE BAND 56E00615	
62	56456797	1	CLAMP HOSE	
63	56465028	1	HOSE ASSY 1/4X22.00 E00529	
65	56507372	1	ISOLATOR ENGINE	
69	56507496	1	REMOTE OIL DRAIN OUTLET	
70	56507497	1	OIL DRAIN PLUG	
71	56384031	1	AIR CLEANER ASSY	
	7-24-04065	1	FILTER AIR MAIN ELEMENT	
	7-24-04066	1	FILTER AIR SAFETY ELEMENT	
72	56507798	1	HOSE COOLANT OVERFLOW	
74	56507998	1	SEAL	
75	56507999	1	INDICATOR AIR	
76	56508378	1	HOSE UPPER RADIATOR	
77	56508393	1	BELT VEE	
79	56508404	1	HOSE AIR INTAKE	
80	56508427	1	BRACKET RADIATOR SUPPORT	
81	56508428	1	BRACKET RADIATOR ISO SUPPORT	
82	56508429	1	BRACKET ALTERNATOR	
83	56508938	1	BRACKET AIR FILTER	
84	56508941	1	SPACER FAN	
85	56508942	1	HOSE LOWER COOLANT	
86	56510140	1	FAN-COOLING	
87	56394241	1	BOTTLE-OVERFLOW	
88	2-00-05674	1	FTG-1/4NPT NIPPLE BRASS	
89	56107822	1	BRACKET-OVERFLOW BOTTLE	



ENGINE LPG SYSTEM-2

SW8000 165 D 4-CYL NIL

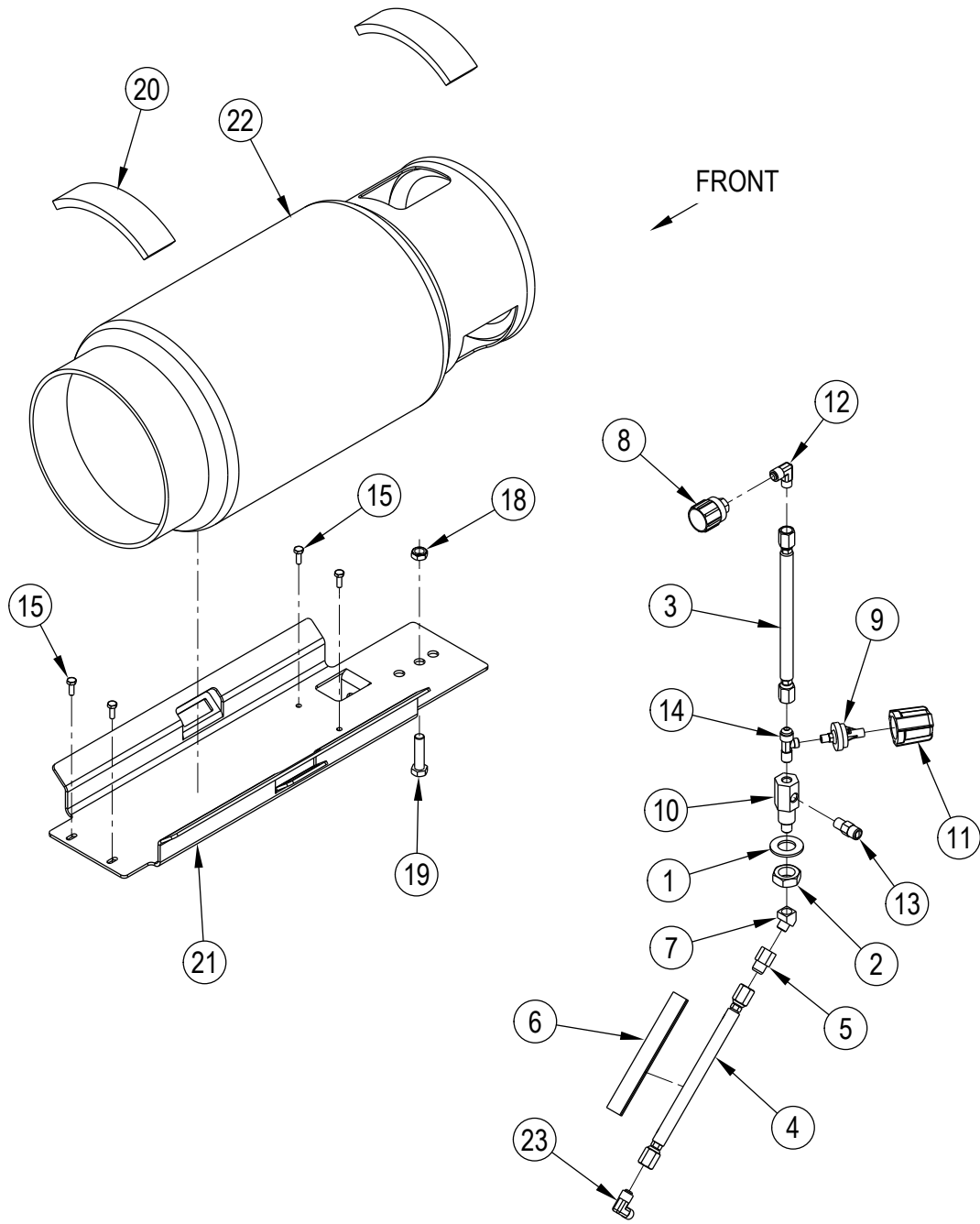
2019.05.07

2019.05.10

Pos.	Product no	QTY	Description	Notes
1	56001879	2	WSH FLT SAE 1/2	
2	56001939	6	WSH FLT SAE 5/16	
3	56001995	1	SCR HEX 1/2-13 X 1.75	
5	56002037	6	SCR HEX 5/16-18 X .88	
6	56002063	2	WSH FLT SAE 3/8	
10	56002533	2	SCR HEX 1/2-13 X 2.50	
13	56002770	2	NUT HEX NYL LOC 1/2-13	
18	33004014	2	SCREW M10X50 HEX HD F/THD ISO4017	[1]
19	56003409	2	NUT HEX M10-1.5	
20	56003410	2	NUT-HEX M12-1.75	
21	56003352	4	NUT HEX M8	
22	56003685	10	WASHER NORD-LOC M8	
23	56003708	2	SCR HEX M12-1.75 X 55MM	
24	56003889	2	WSH-FLT 12MM	
27	56107550	1	MUFFLER	
28	56107558	1	EXHAUST TUBE WELDMENT	
29	56107566	1	HANGER MUFFLER	
30	56107568	1	CLAMP BRACKET WELDMENT	
32	56107581	1	BLANKET EXHAUST	
33	56107582	1	HANGER CATALYTIC	
34	56107585	1	MOUNT RT WELDMENT	
35	56107586	1	MOUNT LT WELDMENT	
36	56107590	1	GASKET MANIFOLD	
37	56107591	1	GASKET CAT INLET	
38	56107592	1	GASKET CAT OUTLET	
39	56107613	2	SENSOR OXYGEN	
40	56107614	1	CATALYST KUBOTA	
41	56107616	1	LOCK SCREW	
42	56107617	1	LOCK SCREW	
64	56478685	5	MOUNT-RUBBER-ENGINE	
67	56507444	2	WASHER ISOLATOR HEAD	
68	56507448	7	WASHER ISOLATOR TAIL	
73	56507988	1	BRACKET ENGINE MOUNT DIESEL	
78	56508403	1	BELL HOUSING	
89	56002063	4	WSH FLT SAE 3/8	
90	56003080	4	SCR SOC HD 3/8-16 X 0.75	
91	56107645	1	GUARD MUFFLER WELDT	
92	56303651	1	CLAMP P CL-16	
93	2-00-04345	2	15.35 IN CABLE TIE BLK NYLON	

Part Notes:

[1] - NO LONGER AVAILABLE



ENGINE LPG TANK & FILTER ASSY

SW8000 165 D 4-CYL NIL

2018.10.12

2020.01.23

Pos.	Product no	QTY	Description	Notes
	56507347	1	LPG FILTER ASSEMBLY	[1]
1	56002228	1	WSH FLT SAE 7/8	
2	56002615	1	NUT HEX JAM 7/8-14	
3	56305503	1	LPG HOSE ASSEMBLY	
4	56305504	1	LPG HOSE ASSEMBLY	
5	56305505	1	ADAPTER SAE 45 DEGREE	
6	56305506	1	CONDUIT	
7	56368938	1	ELBOW ST 1/4X45 BR E00029	
8	56369675	1	COUPLER FEMALE CV140P	
9	56418381	1	SWITCH N C PRESSURE	
10	56418934	1	FITTING BULKHEAD	
11	56419241	1	DUST BOOT	
12	56456608	1	ELBOW 90 DEG-4-6B E00034	
13	56456624	1	VENT 1/4 NPT	
	56507057	1	LPG TANK ASSEMBLY	[2]
14	56900921	1	TEE	
15	56009033	4	SCR HEX THD FORM 1/4-20X.50	
18	56002843	1	NUT HEX NYL LOC-THIN 1/2-13	
19	56003740	1	SCR HEX THD TO HD 1/2-13X2.00	
20	56507336	2	GASKET LPG TANK MOUNT	
21	56507558	1	SUPPORT LPG TANK	
22		1	LP Tank, 33lb.	[3]
23	56456598	1	ELBOW MALE 45 DEG E00238	

Part Notes:

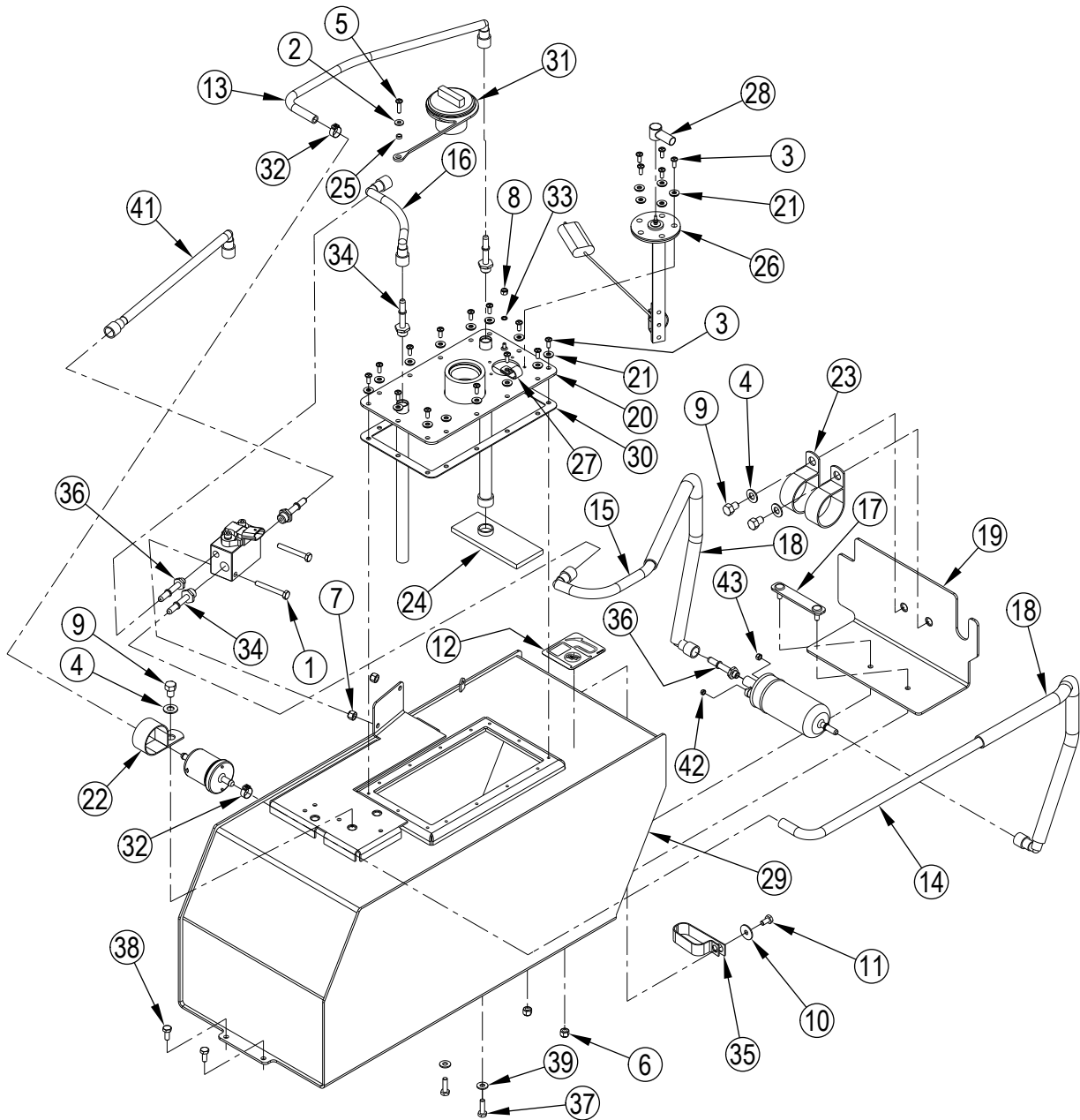
- [1] - (items 1-14) (used on Non-Cab models only)
- [2] - (items 15-21) (used on both Cab Non-Cab models).
- [3] - # LP machines do not include or ship with an LP tank.

ENGINE PETROL FUEL TANK ASSY

SW8000 165 D 4-CYL NIL

2018.10.12

2018.10.24



ENGINE PETROL FUEL TANK ASSY

SW8000 165 D 4-CYL NIL

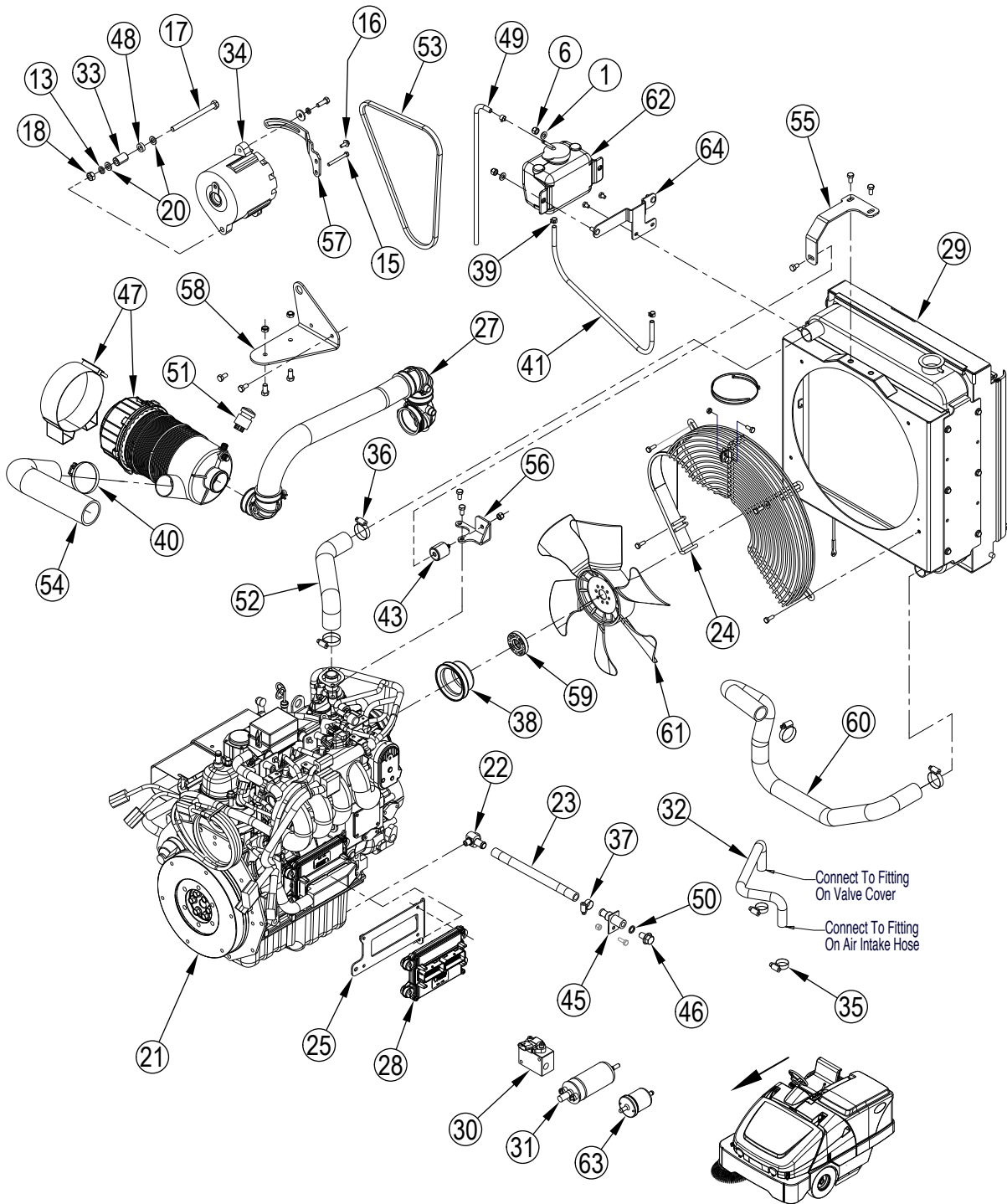
2018.10.12

2018.10.24

Pos.	Product no	QTY	Description	Notes
0	56107666	1	TANK-PETROL ASSY	[1]
1	56001874	2	SCR HEX 1/4-20 X 2.00	
2	56001954	1	WSH FLT SAE 10	
3	56001993	18	SCREW 10-24 X 0.5 ZINC PL	
4	56002063	3	WSH FLT SAE 3/8	
5	56002192	1	SCR PAN PHIL 10-24 X .75	
6	56002491	2	NUT HEX NYL LOC SS 1/4-20	
7	56002708	2	NUT HEX NYL LOC 1/4-20	
8	56002808	1	NUT HEX NYL LOC 8-32	
9	56003023	3	SCR HEX LOC 3/8-16 X .50	
10	56009002	1	WASHER FLAT .266X.906X.060	
11	56009033	1	SCR HEX THD FORM 1/4-20X.50	
12	56016226	1	DECAL UNLEADED FUEL	
13	56107594	1	FUEL HOSE ASSY	
14	56107595	1	FUEL HOSE ASSY	
15	56107596	1	FUEL HOSE ASSY	
16	56107754	1	FUEL HOSE ASSY	
17	56107767	1	PLATE-SCREW	
18	56107772	2	CONDUIT-BLACK-20X.75	
19	56107773	1	GUARD-FUEL PUMP WELDMENT	
20	56107776	1	COVER PLATE WELDT	
21	56209261	19	WASHER SEALING	
22	56305024	1	CLAMP P	
23	56305492	2	CLAMP P	
24	56419307	1	GASOLINE STRAINER-30 MICRON	
25	56454275	1	BUSHING .20X.31X.12	
26	56478358	1	SENDER FUEL LEVEL RE437A	
27	56486112	1	CLAMP P	
28	56492305	1	BOOT	
29	56507946	1	TANK FUEL WELDMENT	
30	56508349	1	GASKET COVER	
31	56508354	1	FUEL CAP	
32	56508515	2	CLAMP	
33	2-00-00506	1	LK WASH INT TOOTH 8 DIA SCREW	
34	7-11-04083	4	FITTING -6 STOR-5/16 SAE J2044	
35	2-00-05253	1	CLAMP	
36	7-11-04084	2	FITTING -3 STOR-5/16 SAE J2044	
37	56002948	2	SCR HEX LOC-1/4-20 X 0.75	
38	56009033	2	SCR HEX THD FORM 1/4-20X.50	
39	56002098	2	H FLT SAE 1/4	
41	56107597	1	FUEL HOSE ASSY	
42	2-00-06572	1	M4 DISTORTED THREAD LOCKNUT	
43	2-00-06573	1	M5 DISTORTED THREAD LOCKNUT	
	56305790	1	WIRE ASM PIGTAIL	
	56508003	1	HARNES GASOLINE SENSOR	
	56508357	1	CONDUIT	

Part Notes:

[1] - (items 1-36)



ENGINE PETROL SYSTEM-1

SW8000 165 D 4-CYL NIL

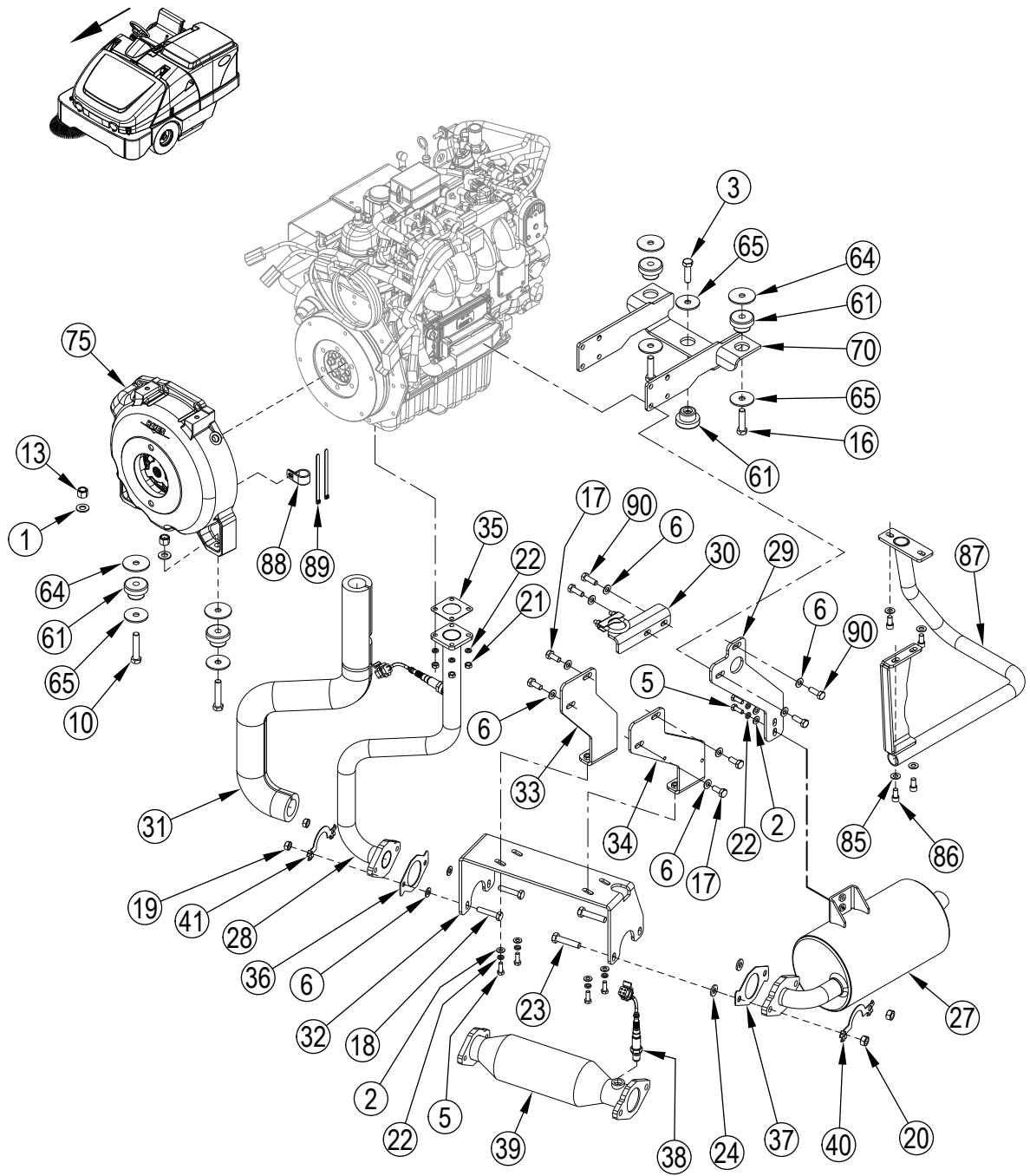
2018.10.12

2018.10.23

Pos.	Product no	QTY	Description	Notes
	56107543	1	ENGINE ASSY-KUBOTA 4CYL PETROL	
1	56001939	2	WSH FLT SAE 5/16	
6	56002701	2	NUT HEX NYL LOC 5/16-18	
13	56003684	1	WSH NORD-LOCK M10	
15	56003764	1	SCR HEX M6-1 X 55MM	
16	56003943	1	SCR-HEX FLANGE SS M6-1 X 16MM	
17	56003944	1	SCR-HEX M10-1.25 X 130MM	
18	56003945	1	NUT-HEX M10-1.25	
19	56009019	2	SCR HEX THD FORM 1/4-20X .38	
20	56009214	2	WSH FLT .406X.750X.090	
21		1	Engine Base-Kubota 4cyl Petrol	[1]
22	56107618	1	REMOTE OIL DRAIN VALVE ASSY	
23	56107620	1	HOSE-HYDRAULIC	
24	56107643	1	FAN GUARD ASSY	
25	56107648	1	ECU-MOUNT PLATE	
26	56107653	1	OPERATOR MANUAL	
27	56107663	1	AIR INTAKE ASSY-PETROL	
28	56107664	1	ECU-KUBOTA PETROL	
29		1	Radiator Assy-6 Fin (See Radiator Assembly)	[2]
30	56107670	1	FUEL MANIFOLD	
31	56107671	1	FUEL PUMP	
32	56107735	1	HOSE BREATHER	
33	56107747	1	SPACER	
34	56110738	1	ALTERNATOR 105 AMP	
34	56510971	1	PULLEY-ALTERNATOR	
35	56112771	2	CLAMP HOSE SAE 10 E00047	
36	56131601	4	CLAMP HOSE SAE 16 E00047	
37	56219932	1	CLAMP HOSE SAE 6 E00047	
38	56307249	1	PULLEY FAN 89MM	
39	56419118	3	CLAMP HOSE BAND 56E00615	
40	56456797	1	CLAMP HOSE	
41	56465028	1	HOSE ASSY 1/4X22.00 E00529	
43	56507372	1	ISOLATOR ENGINE	
45	56507496	1	REMOTE OIL DRAIN OUTLET	
46	56507497	1	OIL DRAIN PLUG	
47	56384031	1	AIR CLEANER ASSY	
47	7-24-04065	1	FILTER AIR MAIN ELEMENT	
47	7-24-04066	1	FILTER AIR SAFETY ELEMENT	
48	56507795	1	SPACER COIL BRACKET	
49	56507798	1	HOSE COOLANT OVERFLOW	
50	56507998	1	SEAL	
51	56507999	1	INDICATOR AIR	
52	56508378	1	HOSE UPPER RADIATOR	
53	56508393	1	BELT VEE	
54	56508404	1	HOSE AIR INTAKE	
55	56508427	1	BRACKET RADIATOR SUPPORT	
56	56508428	1	BRACKET RADIATOR ISO SUPPORT	
57	56508429	1	BRACKET ALTERNATOR	
58	56508938	1	BRACKET AIR FILTER	
59	56508941	1	SPACER FAN	
60	56508942	1	HOSE LOWER COOLANT	
61	56510140	1	FAN-COOLING	
62	56394241	1	BOTTLE-OVERFLOW	
63	7-24-04059	1	FUEL FILTER	
64	56107822	1	BRACKET-OVERFLOW BOTTLE	

Part Notes:

- [1] - See Engine Base Assy - Petrol.
- [2] - See RADIATOR ASSY



ENGINE PETROL SYSTEM-2

SW8000 165 D 4-CYL NIL

2018.10.12

2018.10.23

Pos.	Product no	QTY	Description	Notes
1	56001879	2	WSH FLT SAE 1/2	
2	56001939	6	WSH FLT SAE 5/16	
3	56001995	1	SCR HEX 1/2-13 X 1.75	
5	56002037	6	SCR HEX 5/16-18 X .88	
6	56002063	2	WSH FLT SAE 3/8	
10	56002533	2	SCR HEX 1/2-13 X 2.50	
13	56002770	2	NUT HEX NYL LOC 1/2-13	
16	56002983	2	SCR HEX 1/2-13 X 2.00	
17	56003019	12	SCR HEX M10-1.25 X 25 MM	
18	33004014	2	SCREW M10X50 HEX HD F/THD ISO4017	[1]
19	56003409	2	NUT HEX M10-1.5	
20	56003410	2	NUT-HEX M12-1.75	
21	56003352	4	NUT HEX M8	
22	56003685	10	WASHER NORD-LOC M8	
23	56003708	2	SCR HEX M12-1.75 X 55MM	
24	56003889	2	WSH-FLT 12MM	
27	56107550	1	MUFFLER	
28	56107558	1	EXHAUST TUBE WELDMENT	
29	56107566	1	HANGER MUFFLER	
30	56107568	1	CLAMP BRACKET WELDMENT	
31	56107581	1	BLANKET EXHAUST	
32	56107582	1	HANGER CATALYTIC	
33	56107585	1	MOUNT RT WELDMENT	
34	56107586	1	MOUNT LT WELDMENT	
35	56107590	1	GASKET MANIFOLD	
36	56107591	1	GASKET CAT INLET	
37	56107592	1	GASKET CAT OUTLET	
38	56107613	2	SENSOR OXYGEN	
39	56107614	1	CATALYST KUBOTA	
40	56107616	1	LOCK SCREW	
41	56107617	1	LOCK SCREW	
61	56478685	5	MOUNT-RUBBER-ENGINE	
64	56507444	4	WASHER ISOLATOR HEAD	
65	56507448	5	WASHER ISOLATOR TAIL	
70	56507988	1	BRACKET ENGINE MOUNT DIESEL	
75	56508403	1	BELL HOUSING	
85	56002063	4	WSH FLT SAE 3/8	
86	56003080	4	SCR SOC HD 3/8-16 X 0.75	
87	56107645	1	GUARD MUFFLER WELDT	
88	56303651	1	CLAMP P CL-16	
89	2-00-04345	2	15.35 IN CABLE TIE BLK NYLON	

Part Notes:

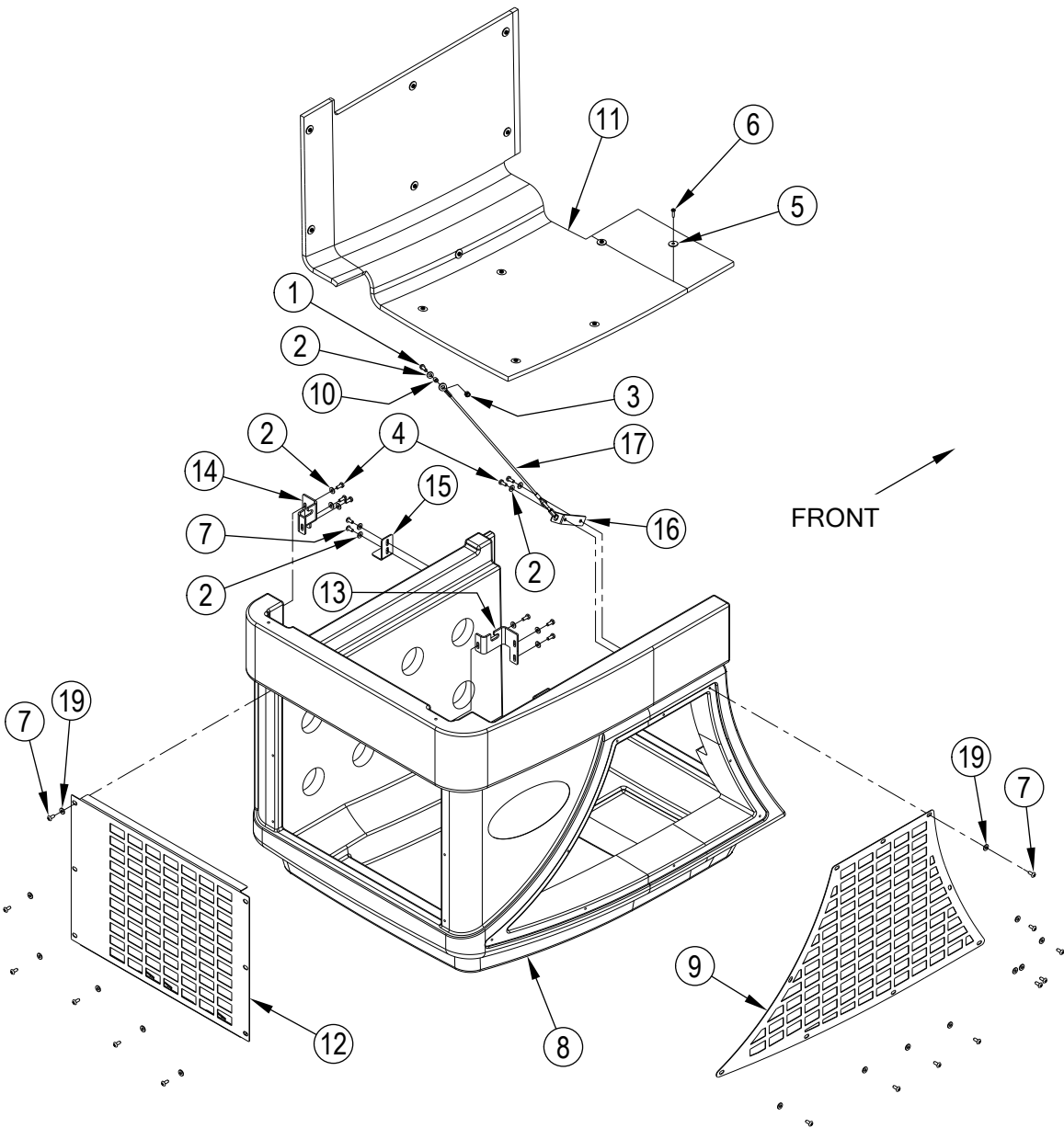
[1] - NO LONGER AVAILABLE

ENGINE REAR COVER ASSY

SW8000 165 D 4-CYL NIL

2019.05.07

2019.05.13



ENGINE REAR COVER ASSY

SW8000 165 D 4-CYL NIL

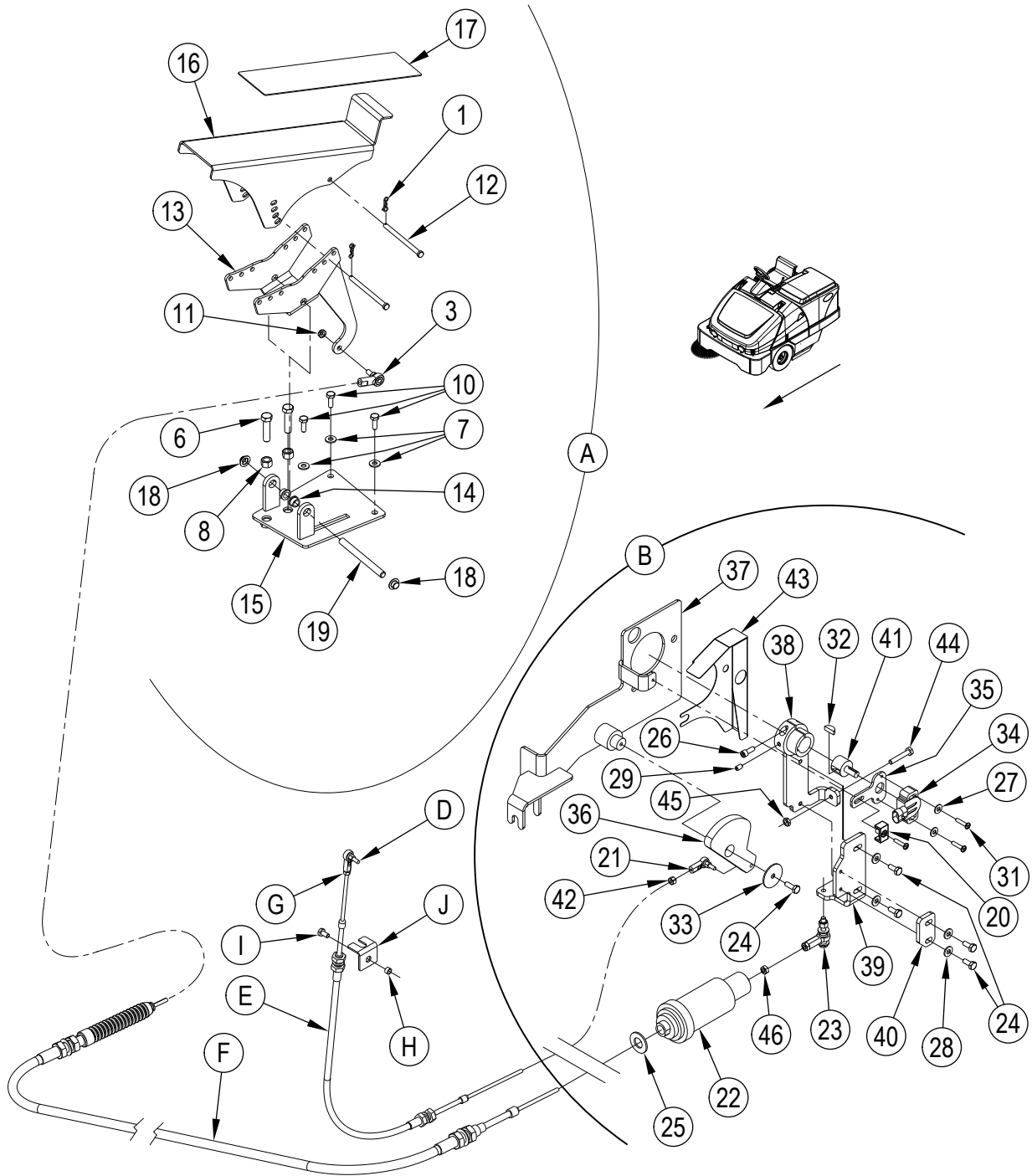
2019.05.07

2019.05.13

Pos.	Product no	QTY	Description	Notes
	56107576	1	COVER REAR ASSY	[1]
1	56002093	1	SCR HEX 1/4-20 X 1.00	
2	56002098	11	H FLT SAE 1/4	
3	56002708	1	NUT HEX NYL LOC 1/4-20	
4	56002922	8	SCR HEX LOC 1/4-20 X .62	
5	56009002	13	WASHER FLAT .266X.906X.060	[2]
6	56009005	13	SCR PANPHILS TYPE A 10-16X.75	[2]
7	56009120	17	SCR PANPHIL SS TYPEB1/4-14X.62	[2]
8	56107579	1	ENGINE COVER ASSY	[2]
9	56107580	1	VENT COVER	[2]
10	56321532	1	BUSHING .25X.37X.40HC42C	
11	56507339	1	FOAM INSULATION	[2]
12	56107657	1	SHROUD RADIATOR	[2]
13	56507401	1	BRACKET ENGINE COVER	
14	56507402	1	BRACKET ENGINE COVER	
15	56507584	1	BRACKET ENGINE COVER CLAMP	
16	56508181	1	BRACKET ENG HOOD	
17	56107812	1	CABLE ASSY-QUICK LINK 17 IN	
19	56002859	15	WSH FLT SAE SS 1/4	
K1	56107615	1	KIT-ENGINE COVER ASSY	[3]

Part Notes:

- [1] - (items 1-18)
- [2] - K1
- [3] - Includes pos. 5, 6, 7, 8, 9, 11, 12



FORWARD-REVERSE CONTROL ASSY

SW8000 165 D 4-CYL NIL

2019.05.07

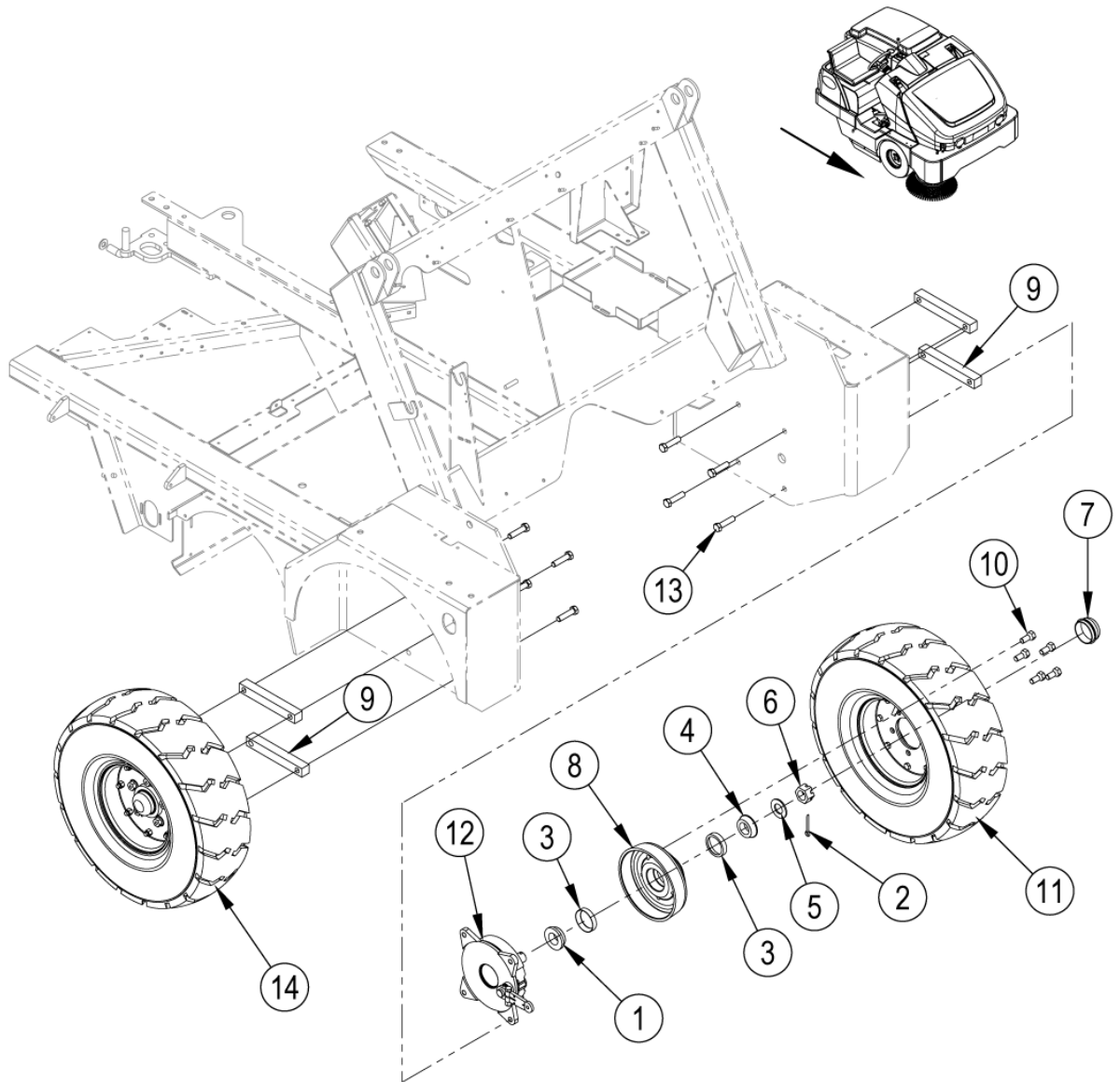
2019.05.13

Pos.	Product no	QTY	Description	Notes
	56507049	1	FWD/REV 4 CYL CONTROL ASSY	[1]
A	56507647	1	FOOT PEDAL ASSEMBLY	[2]
1	56004061	2		
3	56463720	1	ROD END	
6	56003918	2	SCR-HEX THD/HD SS 3/8-16X1.50	
7	56002859	3	WSH FLT SAE SS 1/4	
8	56003928	2	NUT-HEX MACHINE SS 3/8-16	
10	56003221	3	SCR HEX LOC SS 1/4-20 X .75	
11	56003917	1	NUT-HEX NYL LOC-THIN SS 1/4-28	
12	56003669	2	PIN-CLEVIS-.25X3.5	
13	56107687	1	PEDAL WELDT	
14	56304554	2	BEARING FLANGE .500X.375X.313	
15	56107686	1	PLATE-FOOT THROTTLE WELDT	
16	56107685	1	FOOT PEDAL	
17	56507227	1	MAT PEDAL	
18	56009123	2	NUT PUSH CAP 3/8	
19	56385409	1		
B	56507541	1	PUMP CONTROL ASSEMBLY	[3]
20	56111895	1	GUIDE-ENCODER	
21	56488290	1	ROD END	
22	56455799	1	HYDRO BACK	
23	56383880	1	ROD END THROTTLE KIT	[4]
24	56002922	4	SCR HEX LOC 1/4-20 X .62	
25	56002022	1	WSH FLT SAE 5/8	
26	56002032	1	SCR SOC HD 1/4-20 X .62	
27	56001954	2	WSH FLT SAE 10	
28	56002098	4	H FLT SAE 1/4	
29	56002930	1	SCR SOC SET LOC 1/4-20 X .38	
31	56002996	3	SCR PAN PHIL 10-32 X .88	
32	56003230	1	KEY WDF 91	
33	56009225	1	WASHER FENDER	
34	56305129	1	ROTARY SENSOR	
35	56305980	1	PLATE-SENSOR	
36	56419337	1	CAM NYLON	
37	56507124	1	RETURN BRACKET	
38	56507126	1	LEVER WELDMENT	
39	56507152	1	LEVER	
40	56507153	1	PLATE CAM	
41	56507979	1	ADAPTER SHAFT	
42	56001987	1	NUT HEX MACHINE 10-32	
43	56384037	1		
44	56003709	1	SCR HEX THD TO HD 1/4-20 X 1.5	[5]
45	56009087	1	NUT HEX JAM 1/4-20	
46	2-95-01999	1	NUT-HEX-JAM .25-28 ZN	
D	56488290	1	ROD END	
E	56418615	1	CABLE PUSH/PULL	
F	56384088	1	CABLE-PUSH PULL	[6]
G	56001987	1	NUT HEX MACHINE 10-32	
H	56379298	1	BUSHING .25X.37X.21CR211H	
I	56002948	1	SCR HEX LOC-1/4-20 X 0.75	
J	56508500	1	BRACKET SPEED LIMIT CABLE	

Part Notes:

- [1] - A, B, D-J
- [2] - items 1-17
- [3] - items 18-42
- [4] - TSB-FC-2014-007 Rider Scrubber and Sweepers Hydroback
- [5] - SEE PI 2017-002

[6] - 56507648 is OBSOLETE and replaced by 56384088. All machines built starting with serial number 1000058489 and after use Push-Pull Control Cable 56384088 TSB-FC-2015-015 SW8000 Neutral Switch Adjustment



FRONT WHEEL SYSTEM

SW8000 165 D 4-CYL NIL

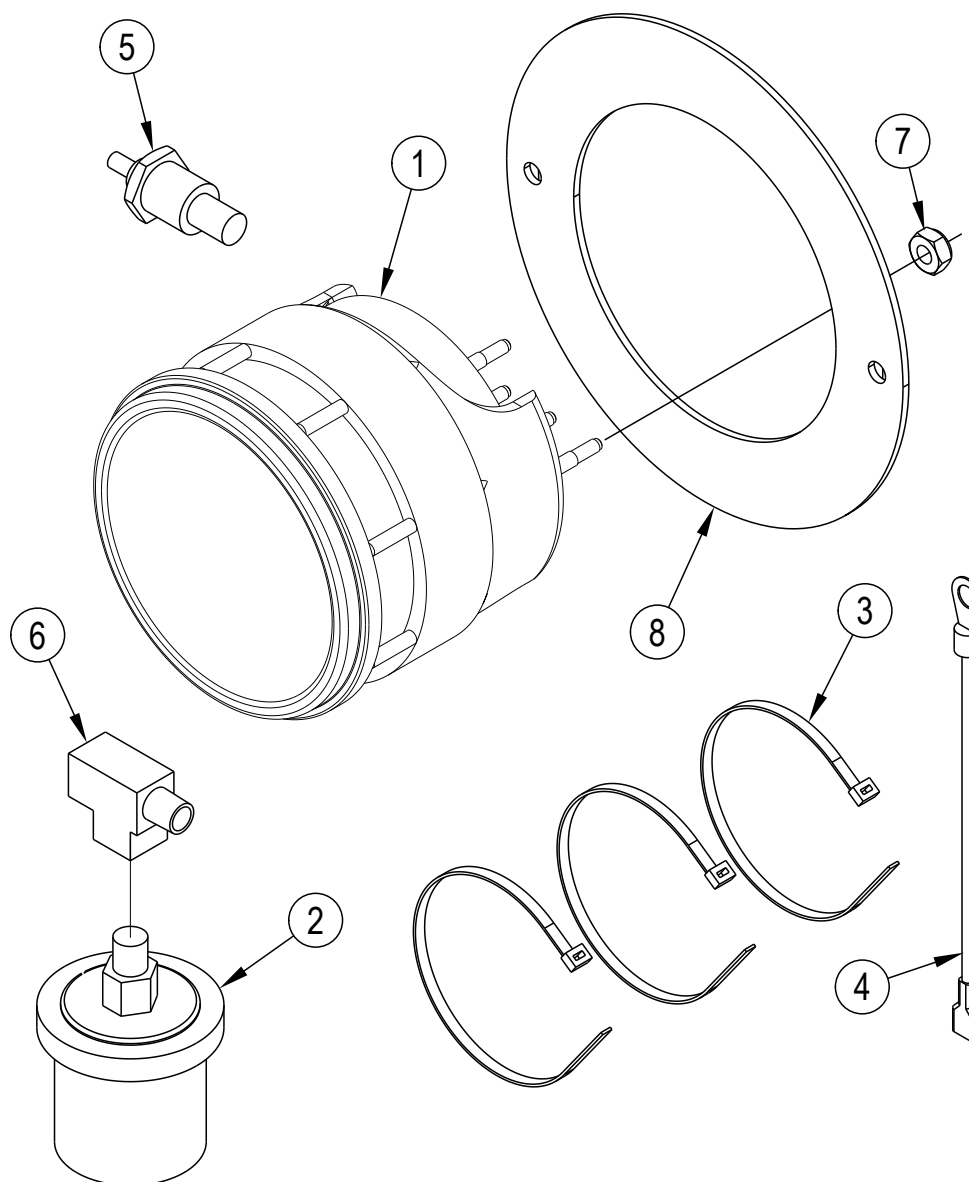
2017.11.02

2020.01.24

Pos.	Product no	QTY	Description	Notes
1	2-00-02079	1	BRG-SINGLE SEAL TIMKEN	[1]
2	2-00-02436	1	PIN-COTT.188 DIA X 1.75 STL ZN	[1]
3	2-00-04621	2	CUP TIMKEN	[1]
4	2-00-04622	1	CONETIMKEN	[1]
5	56004012	1	WSH-FLT 18-8 SS-1.062X2X.13	[1]
6	2-00-05026	1	NUT-HEX-SLOT FIN. ZN	[1]
7	8-11-00030	1	CAP	[1]
8	56107724	1	HUB AND DRUM-MACHINED	[1]
9	8-75-01216	4	SPACER-BRAKES	[2]
10	56385067	5	STUD-WHEEL-1/2-20X1.31	[1]
11	8-89-08056	2	WHL ASSY-PNEUMATIC-FOAM FILLED	[1]
	8-85-06022	1	TIRE-PNEUMATIC-6 X 9	[3]
	8-70-00086	1	FLAP-PNEUMATIC TIRE-6 X 9	[4]
	8-70-00087	1	TUBE-INNER-PNEUMATIC-6 X 9	[3]
	8-65-05016	1	RIM ASSY-6 X 9 X 4	[3]
11a	56384874	1	NON-MARKING WHEEL ASSY	
	56384873	1	TIRE-NON-MARKING-600X9-4.0	[5]
	8-65-05016	1	RIM ASSY-6 X 9 X 4	[5]
11	56384823	2	WHEEL ASSY-PRO PU LUG TREAD	
	56384824	1	TIRE-GS NON-MARKING-5X8X3.75	[6]
12	8-71-05007	1	BRAKE SHOE	[7]
12	0860-703	1	AXLE SHAFT ASSY	[1]
12	56418581	1	SPRING BRAKE	[7]
13	56003958	8	SCR-HEX 1/2-20 X 2.25	[8]
13	56003162	8	SCR HEX 1/2-20 X 2.00	[9]
14	56382791	2	FRONT WHEEL ASSEMBLY	[10]

Part Notes:

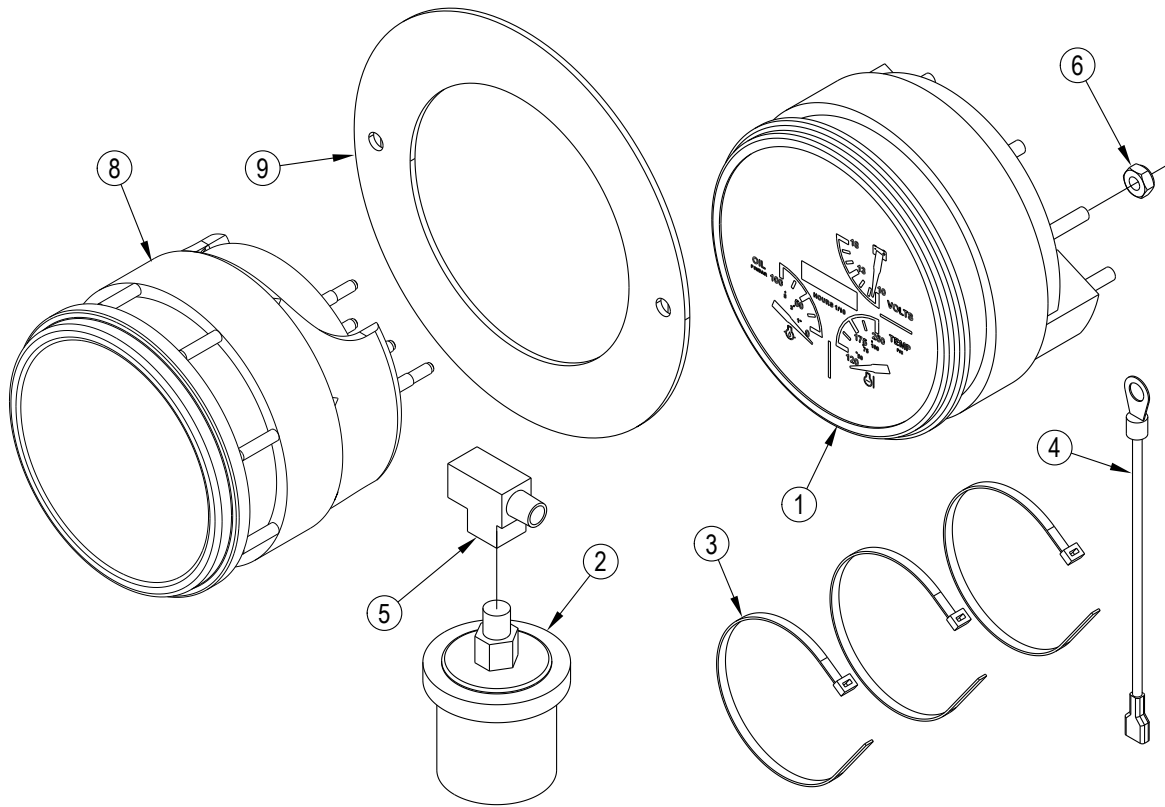
- [1] - These quantities reflect one Front Wheel Assembly only, there are two Front Wheel Assemblies on the machine.
- [2] - NOTE 2: These items are only used on machines that do not have standoffs welded onto the chassis for mounting the wheel assemblies.
- [3] - Part of 8-89-08056
- [4] - OPENED BY MISTAKE
Part of 8-89-08056
- [5] - Part of 5638474
- [6] - Part of 56384823
- [7] - (usage 2 per brake assy)
- [8] - 56003958 Screws are only used on machines that do have standoffs welded onto the chassis for mounting the wheel assemblies.
- [9] - These items are only used on machines that do not have standoffs welded onto the chassis for mounting the wheel assemblies.
- [10] - (items 1-8, 10-12)



Pos.	Product no	QTY	Description	Notes
	56383885	1	KUBOTA DIESEL GAUGE KIT-BSPP	[1]
	56508722	1	KUBOTA DIESEL GAUGE KIT	[2]
1	56394274	1		[3]
2	56305619	1	SENDER PRESSURE	
3	56478523	3	CABLE TIE E00549	
4	56507679	1	WIRE ASM YEL/BLK 18-11	
5	56383884	1	SENDER-TEMPERATURE-BSPP	[4]
5	56305873	1	SENDER TEMPERATURE	[5]
6	2-00-04982	1	FITTING 1/8 NPT STR	
7	56002562	8	NUT KEPS 8-32	
8	56394275	1		
9	56107790	1	HARNESS-OIL PRESS SNDR-DIESEL	

Part Notes:

- [1] - (includes items 1-6 / Standard on all Diesel models)
- All Diesel machines built after serial number 1000053695 needing to replace the Temperature Sender 56383884 or a dealer installed Diesel Gauge
- Kit, use Diesel Gauge Kit – BSPP 56383885. All Diesel machines getting a first time installation of a Diesel Gauge Kit regardless of the serial number, use
- Diesel Gauge Kit – BSPP 56383885.
- [2] - (includes items 1-6 / Standard on all Diesel models)
- All Diesel machines built before serial number 1000053696 with factory installed temperature gauge use Diesel Gauge Kit 56508722 or Temperature
- Sender 56305873. All Diesel machines with dealer installed Diesel Gauge Kit 56508722, use Diesel Gauge Kit 56508722 or Temp Sender 56305873.
- [3] - TSB-FC-2019-020 Sweeper Gauge Replacement
- [4] - For KIT 56383885
- [5] - For KIT 56508722



Pos.	Product no	QTY	Description	Notes
	56107674	1	KUBOTA GASOLINE GAUGE KIT-4CYL	[1]
	56107673	1	KUBOTA LPG GAUGE KIT-4 CYL	[2]
1	56304569	1	GAUGE 4 IN 1	[3]
1	56304589	1	GAUGE 3 IN 1	[4]
2	56305619	1	SENDER PRESSURE	
3	56478523	3	CABLE TIE E00549	
4	56507679	1	WIRE ASM YEL/BLK 18-11	
5	56107675	1	TEE STREET-SPECIAL	
6	56002562	8	NUT KEPS 8-32	
7	56107787	1	HARNES-OIL PRESS SNDR-LPG	
8	56394274	1		[5]
9	56394275	1		[6]

Part Notes:

- [1] - (includes items 1-5 / Standard on all Petrol models)
TSB-FC-2019-020 Sweeper Gauge Replacement
- [2] - (includes items 1-5 / Standard on all LPG models)
- [3] - (part of 56107674)
REPLACED TSB-FC-2019-020

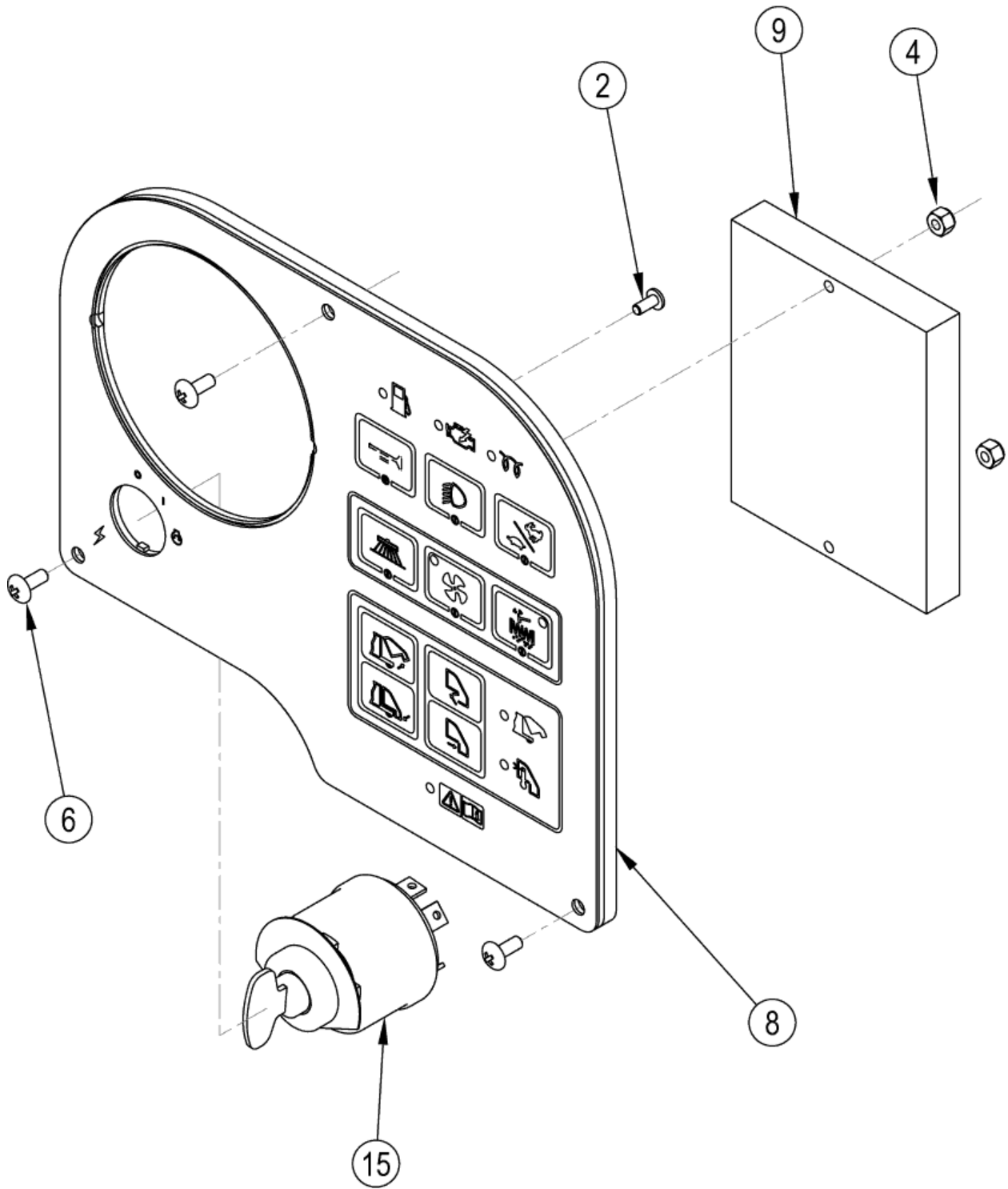
TSB-FC-2019-020 Sweeper Gauge Replacement
DE TSB-FC-2019-020 Änderung der Maschinenanzeige bei Motoren
- [4] - (part of 56107673)
- [5] - (part of 56107674)
- [6] - (56107674)

GAUGE PANEL ASSY

SW8000 165 D 4-CYL NIL

2017.11.02

2020.04.17



GAUGE PANEL ASSY

SW8000 165 D 4-CYL NIL

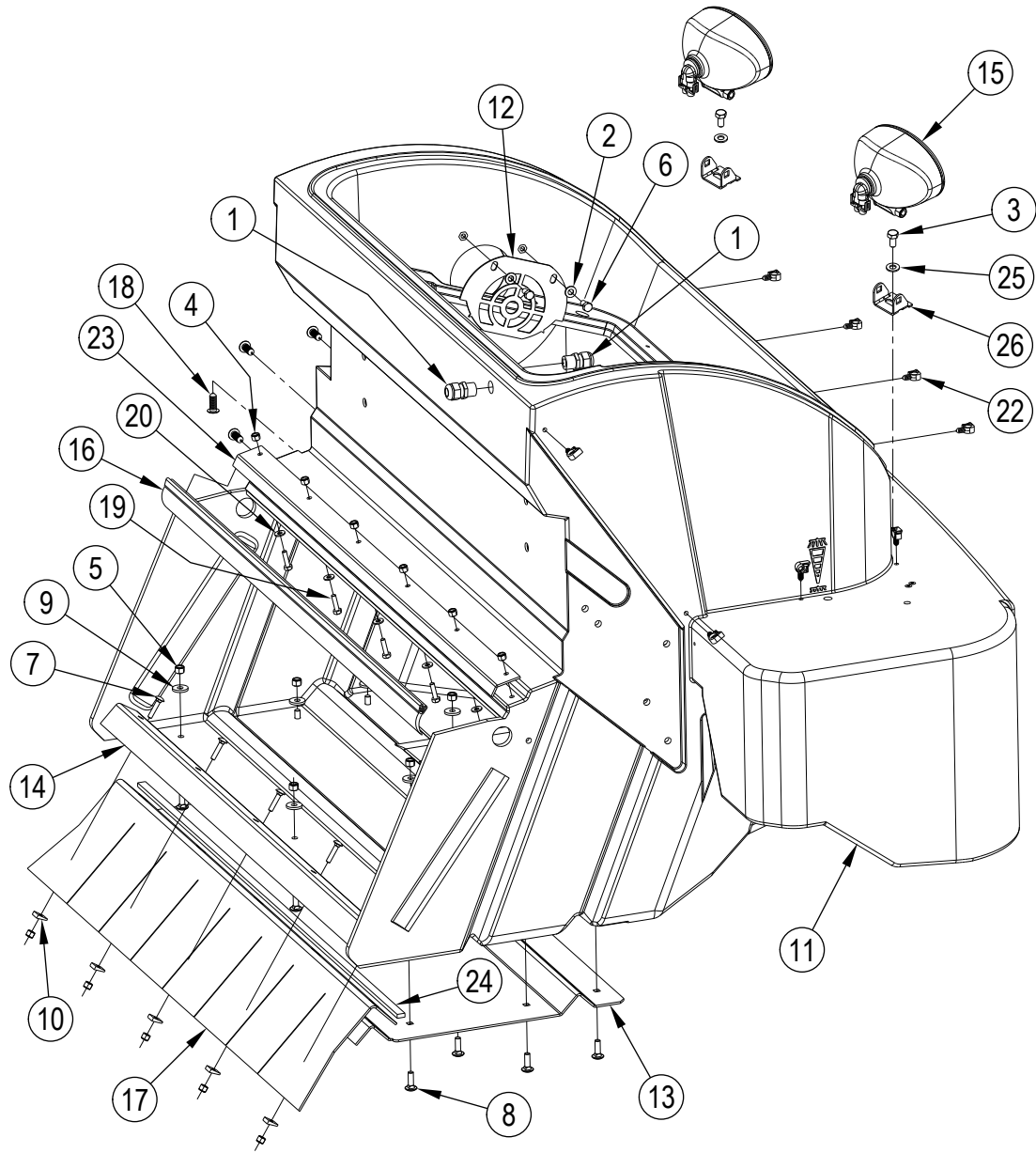
2017.11.02

2020.04.17

Pos.	Product no	QTY	Description	Notes
00	56107642	1	GAUGE PANEL ASSY DIESEL	
00	56107640	1	GAUGE PANEL ASSY PETROL	
00	56107641	1	GAUGE PANEL ASSY LPG	
2	56001818	1	SCR PAN PHIL 8-32 X .38	
4	56002808	2	NUT HEX NYL LOC 8-32	
6	56003902	5	SCR-TRUSS PHIL SS BLK10-24X.50	
8	56107601	1	PANEL LPG ASSY	[1]
8	56107603	1	PANEL DIESEL ASSY	[2]
Cover hole	56392845	1	GASKET	[3]
Cover hole	56394276	1		
Cover hole	56009013	2	Screw	[4]
9	56107624	1	CONTROL BOX	
15	56418685	1	SWITCH STARTER	[5]
15	56419123	1	KEY IGNITION - REPLACEMENT	[6]
15	56508655	1	KEY DIESEL	[7]
15	56497754	1	KEY SWITCH	[8]

Part Notes:

- [1] - used on LPG and petrol models
- [2] - used on diesel models only
Cover the hole up can be done with parts 56394276 (PLATE-COVER-HOUR METER), 56392845 (gasket), and screws 56009013.
- [3] - GUARANTEE DATE EXPIRED
- [4] - EXPIRED 10-13-2006
- [5] - LPG and petrol models
- [6] - (for 56418685)
- [7] - (for 56497754)
- [8] - diesel models



HOPPER SYSTEM-1

SW8000 165 D 4-CYL NIL

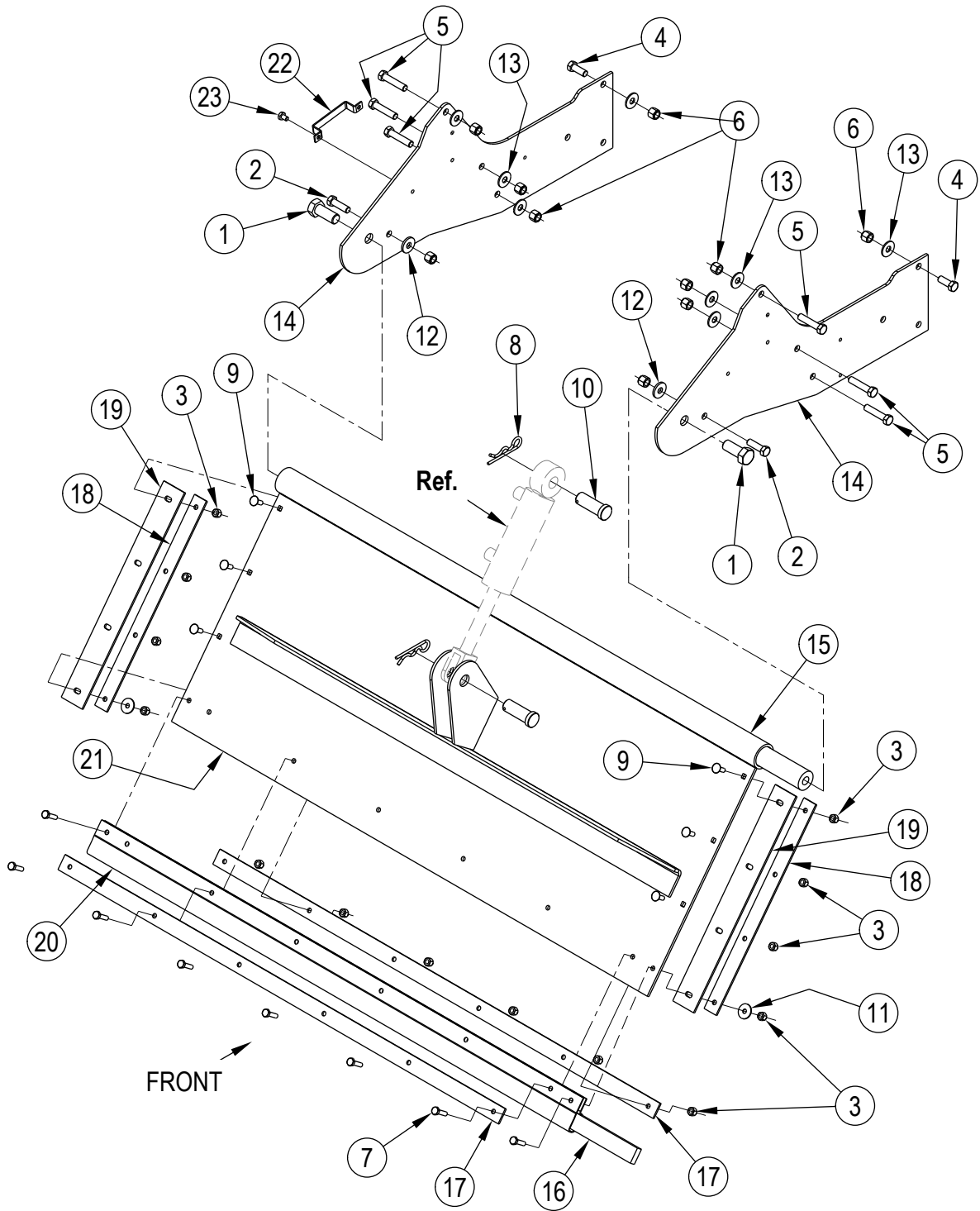
2019.05.07

2019.05.13

Pos.	Product no	QTY	Description	Notes
1	56323135	2	STRAIN RELIEF E00220	
2	56001939	2	WSH FLT SAE 5/16	
3	56002035	2	SCR HEX 5/16-18 X .62	
4	56002491	11	NUT HEX NYL LOC SS 1/4-20	
5	56002856	10	NUT HEX NYL LOC SS 5/16-18	
6	56002929	2	SCR HEX LOC 5/16-18 X .62	
7	56003714	5	SCR-CARR-SS 1/4-20 X 1.25	
8	56003720	10	SCR CARRIAGE SS 5/16-18 X 1.00	
9	56009122	10	WSH FLT .344X.938X.125	
10	56009345	5	WSH BEVEL 1/4	
11	56507087	1	HOPPER	
12	56507159	1	SCREEN VAC FAN	
13	56507162	1	PLATE HOPPER BOTTOM	
14	56507187	1	CLAMP HOPPER FLAP	
15	56507223	2	HEAD LIGHT ASSEMBLY	
15	56507224	1	BULB 12V 50W	[1]
16	56508325	1	SEAL DOOR HINGE	
17	56508083	1	FLAP HOPPER	
18	56508211	4	CLIP PANEL	
19	56002883	6	SCR HEX SS 1/4-20 X 1.00	
20	56002859	6	WSH FLT SAE SS 1/4	
22	56507793	8	CLIP CONDUIT	
23	56107729	1	CLAMP DOOR SEAL	
24	56508728	1	SEAL HOPPER SKID PLATE	
25	56001939	2	WSH FLT SAE 5/16	
26	56107813	2	BRACKET-HEAD LIGHT	

Part Notes:

[1] - (for 56507223) not shown



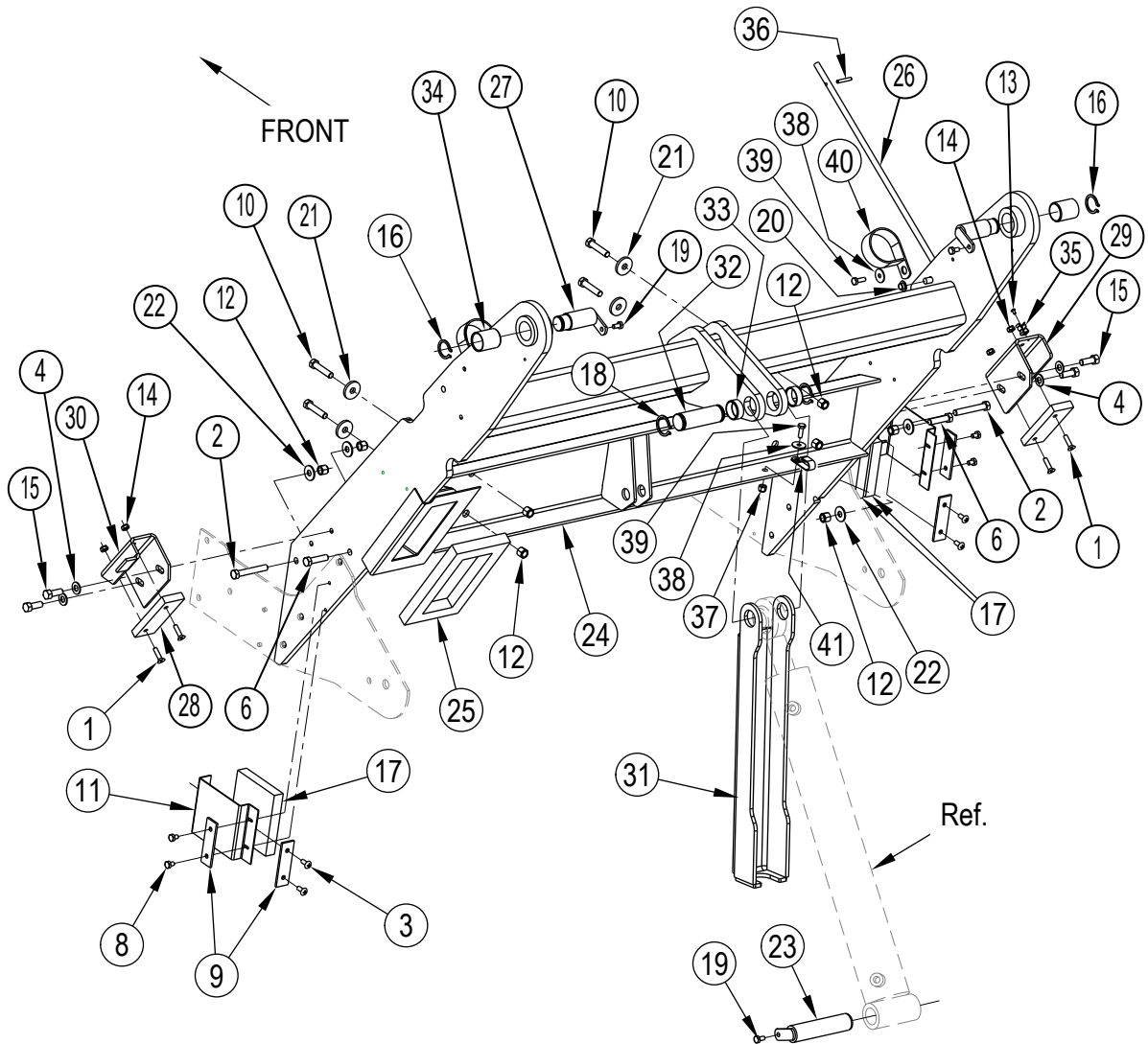
HOPPER SYSTEM-2

SW8000 165 D 4-CYL NIL

2019.05.07

2019.05.13

Pos.	Product no	QTY	Description	Notes
1	56001843	2	SCR HEX 5/8-11 X 1.50	
2	56001858	2	SCR HEX 3/8-16 X 1.25	
3	56002491	14	NUT HEX NYL LOC SS 1/4-20	
4	56002663	2	SCR HEX 3/8-16 X 1.00	
5	56002684	6	SCR HEX 3/8-16 X 1.75	
6	56002769	10	NUT HEX NYL LOC 3/8-16	
7	56002883	8	SCR HEX SS 1/4-20 X 1.00	
8	56003152	2	PIN COT HAIR SS .148 X DIA .6	
9	56003715	6	SCR CARRIAGE SS 1/4-20X.75	
10	56003732	2	PIN CLEVIS .750X2.00	
11	56003923	2	WSH-FLT SS .266 X .906 X .060	
12	56009107	2	WSH FLT SS .378/.373X1.00X.075	
13	56009213	8	SH FLT .382X1.000X.075	
14	56507164	2	BRACKET SIDE BROOM ARM	
15	56507168	1	PIVOT HOPPER DOOR	
16	56507169	1	SEAL HOPPER	
17	56507176	2	CLAMP HOPPER BOTTOM	
18	56507177	2	CLAMP HOPPER DOOR SIDE SEAL	
19	56507178	2	SEAL HOPPER DOOR SIDE	
20	56507179	1	SEAL HOPPER	
21	56107728	1	HOPPER DOOR WELDT	
22	2-00-04603	1	CLAMPDOUBLE 1/2 OD	
23	56002933	1	SCR HEX LOC 1/4-20 X .38	



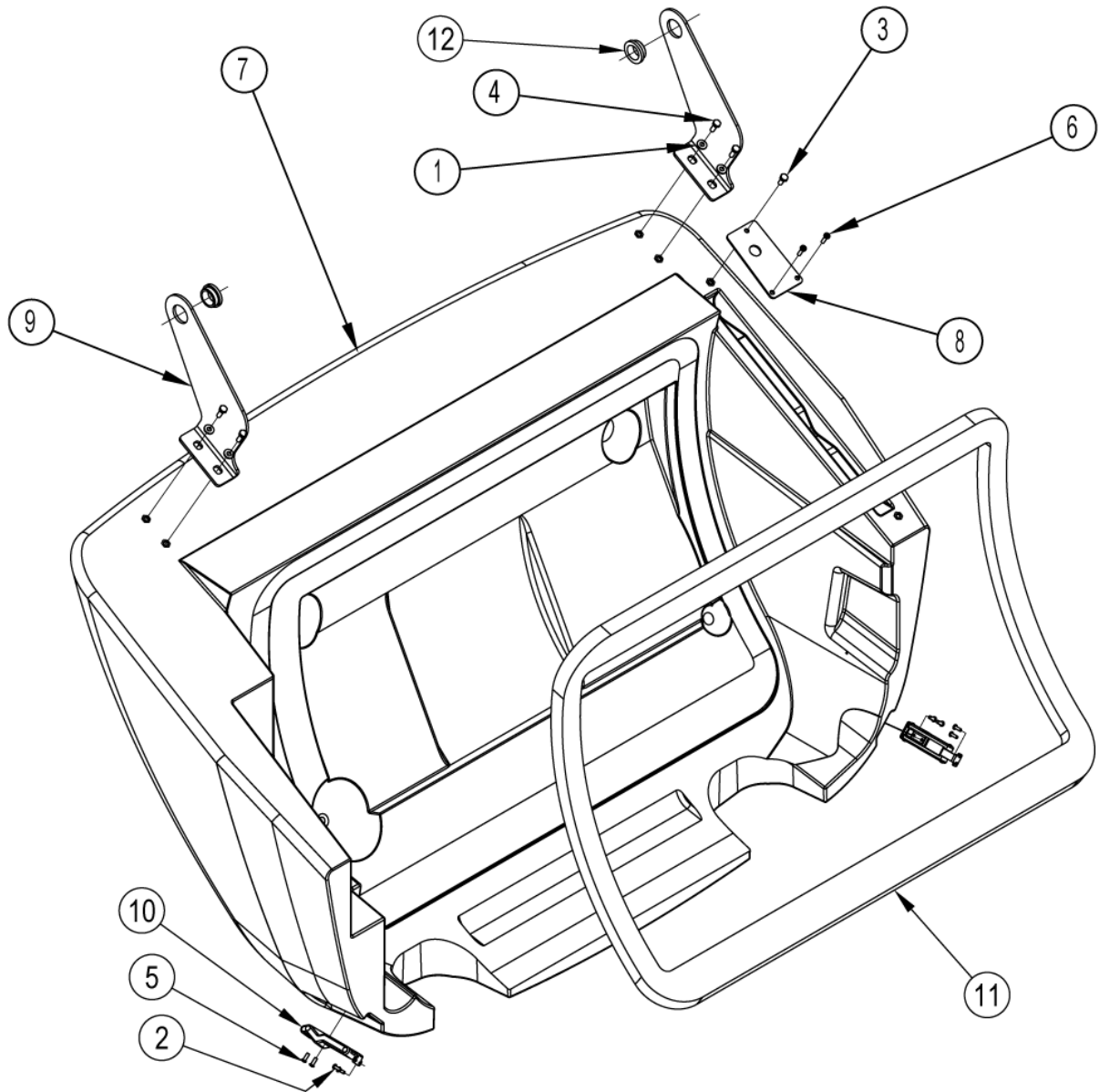
HOPPER SYSTEM-3

SW8000 165 D 4-CYL NIL

2019.05.07

2019.05.13

Pos.	Product no	QTY	Description	Notes
1	56002457	4	SCR FLT SOC 1/4-20 X 1.00	
2	56001873	2	SCR HEX 3/8-16 X 2.50	
3	56009120	4	SCR PANPHIL SS TYPEB1/4-14X.62	
4	56002063	4	WSH FLT SAE 3/8	
6	56002747	2	SCR HEX THD/HD 3/8-16 X 1.50	
8	56009019	4	SCR HEX THD FORM 1/4-20X .38	
9	56508248	4	STRAP FRONT TIRE FLAP	
10	56002684	4	SCR HEX 3/8-16 X 1.75	
11	56508389	2	FLAP HOPPER SIDE	
12	56002769	8	NUT HEX NYL LOC 3/8-16	
13	56002811	1	SCR PAN PHIL 6-32 X .25	
14	56002840	4	NUT HEX NYL LOC-THIN 1/4-20	
15	56002947	4	SCR HEX LOC 3/8-16 X 1.00	
16	56003258	2	RING RET EXT	
17	56508390	3	FOAM HOPPER SIDE	
18	56003750	2	RING RET EXT SHAFT 1.125	
19	56009033	3	SCR HEX THD FORM 1/4-20X.50	
20	56009123	1	NUT PUSH CAP 3/8	
21	56009195	4	WSH FLT .406X 1.250X .164	
22	56009213	4	SH FLT .382X1.000X.075	
23	56304683	1	PIN HOPPER HINGE WELDMENT	
24	56507100	1	ARM HOPPER LIFT WELDMENT	
25	56507189	1	SEAL AIR EXHAUST	
26	56507197	1	ROD COVER	
27	56507204	2	PIN HOPPER HINGE WLDT	
28	56507289	2	BUMPER HOPPER LIFT	
29	56507334	1	STOPPPER HOPPER RH	
30	56507335	1	STOPPPER HOPPER LH	
31	56507477	1	PROP ROD	
32	56507885	1	PIN	
33	56507939	2	BEARING 1.125X1.281X.500	
34	56507940	2	BEARING 1.125X1.281X1.500	
35	56508234	1	CLIP 3/8	
36	56003137	1		
37	56002708	1	NUT HEX NYL LOC 1/4-20	
38	56009002	3	WASHER FLAT .266X.906X.060	
39	56009018	3	SCR HEX THD FORM 1/4-20X .75	
40	56315257	2	CLAMP P	
41	56004073	1		



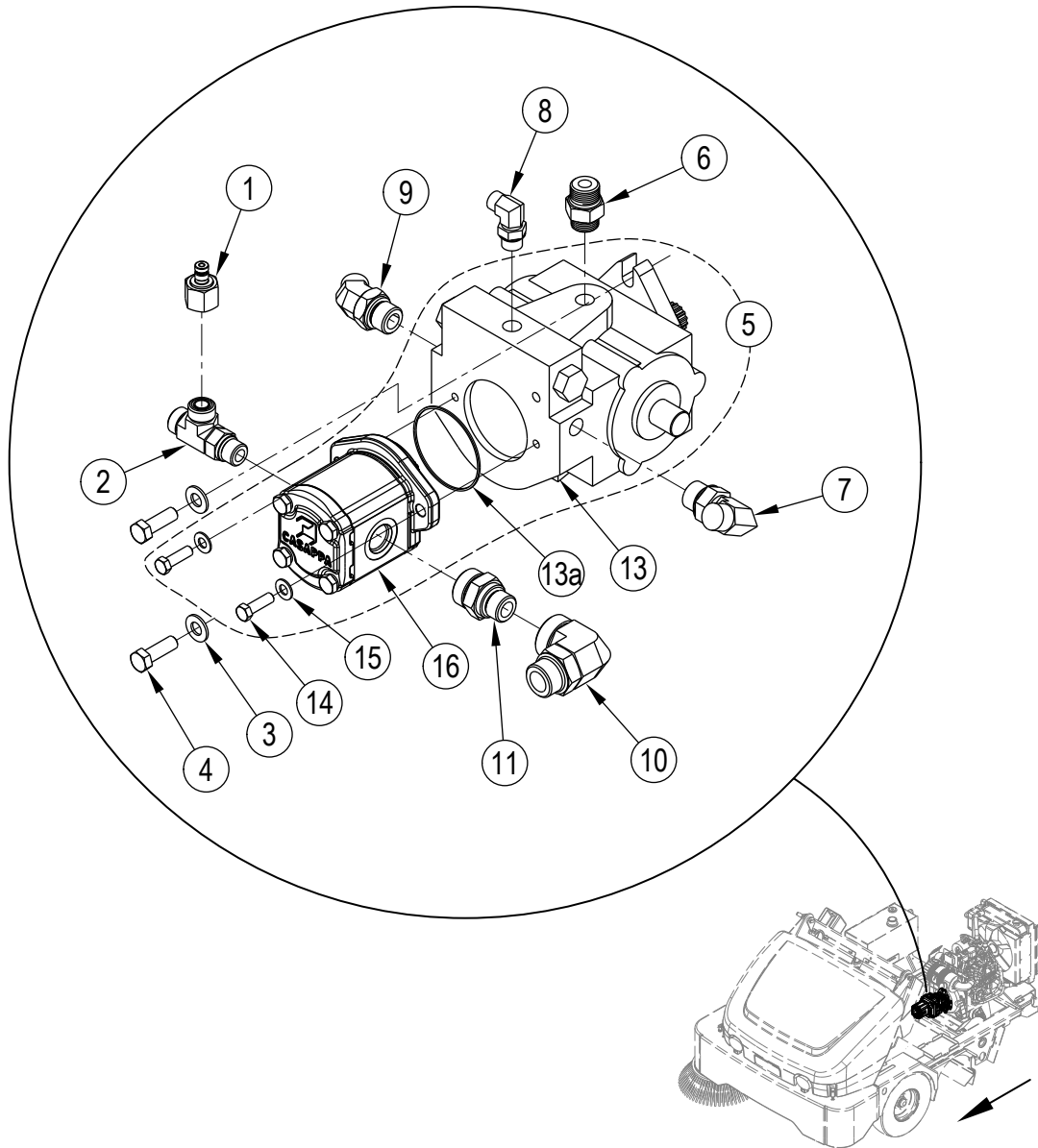
HOPPER SYSTEM-4

SW8000 165 D 4-CYL NIL

2017.11.02

2013.04.02

Pos.	Product no	QTY	Description	Notes
01	56002098	4	H FLT SAE 1/4	
02	56002876	4	SCREW 8-32 X 0.5 PNH PH SS	
03	56002922	1	SCR HEX LOC 1/4-20 X .62	
04	56002948	4	SCR HEX LOC-1/4-20 X 0.75	
05	56003093	4	SCR PAN PHIL PLAST 8-15 X .50	
06	56009005	2	SCR PANPHILS TYPE A 10-16X.75	
07	56507086	1	COVER HOPPER	
08	56508226	1	PLATE HOPPER COVER PROP ROD	
09	56507185	2	BRACKET HOPPER COVER	
10	56507188	2	LATCH HOPPER COVER	
11	56507219	1	SEAL HOPPER COVER 4 PARTS	
12	56507767	2	BEAR FLAN IGUS 1.00X1.25X.50	



HYDRAULIC PUMP ASSY – ORFS - JANUARY 1 OR AFTER, 2019

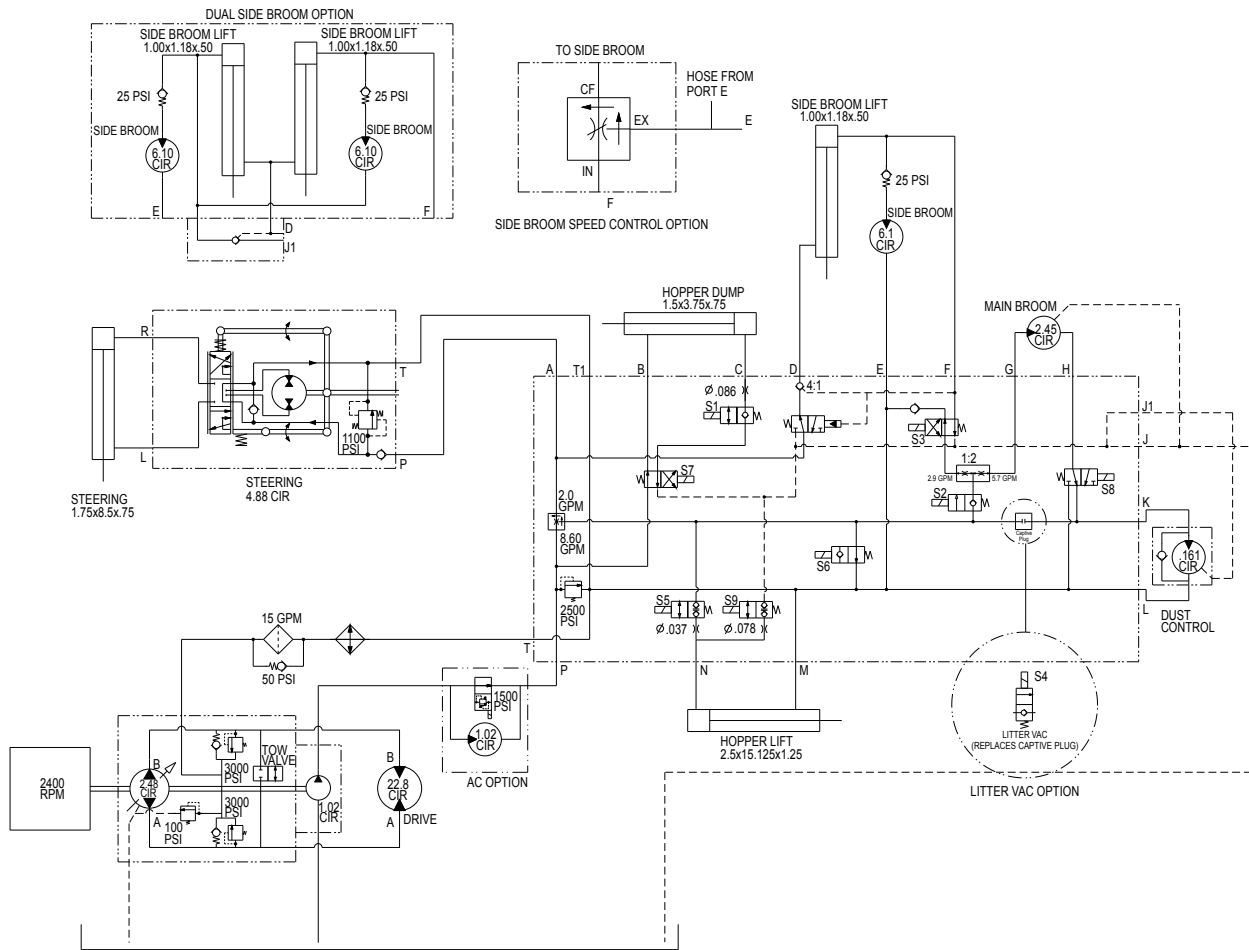
SW8000 165 D 4-CYL NIL

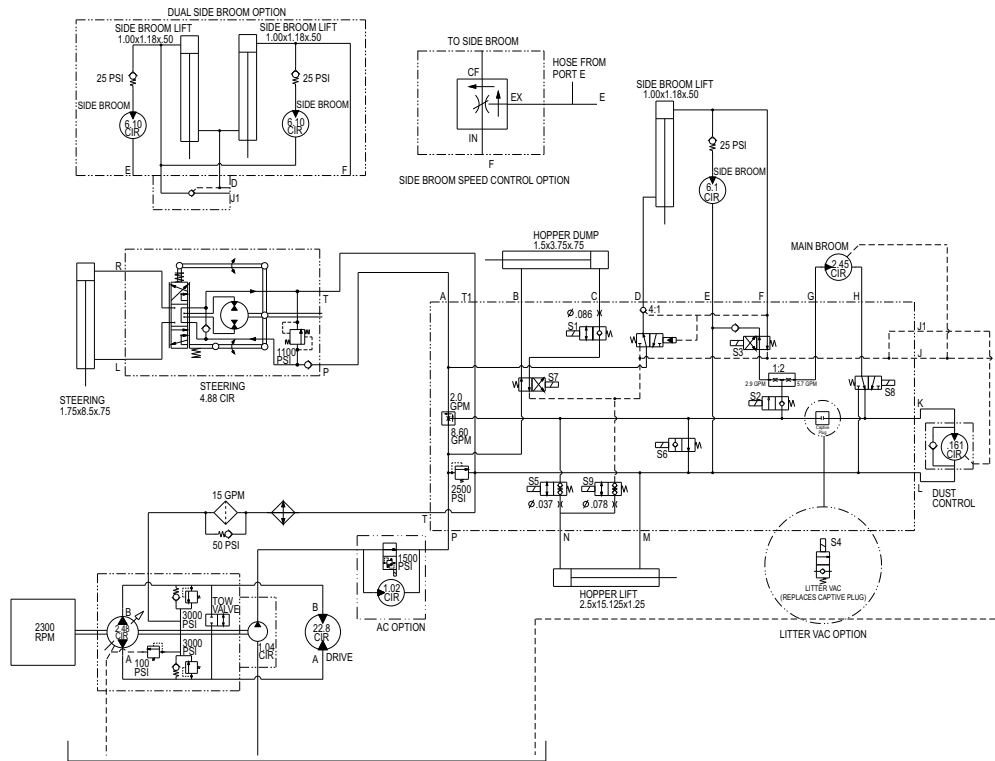
2019.05.13
2019.05.13

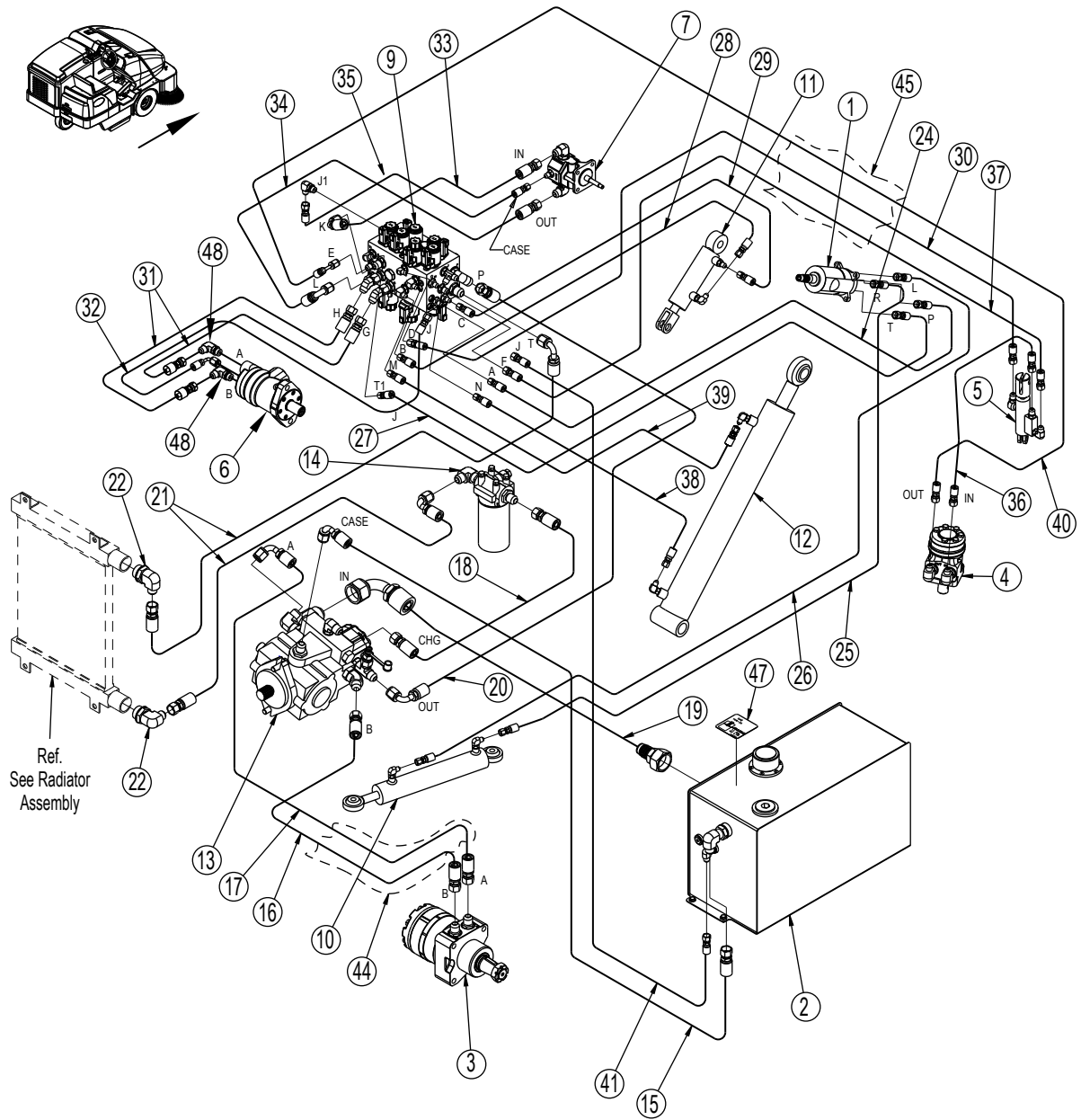
Pos.	Product no	QTY	Description	Notes
	56119566	1	PUMP ASSEMBLY	[1]
1	56394095	1	FTG-NIPPLE-TEST PORT-10-FORFS	
2	56394025	1	FTG-RUN TEE-10MORFS-10MORB	
3	56001879	2	WSH FLT SAE 1/2	
4	56001968	2	SCR HEX 1/2-13 X 1.50	
5	56119565	1	HYDROSTATIC/AUX PUMP ASSY	[2]
6	2-00-05730	1	FTG-12 SAE X 10 ORS STR	
7	2-00-04961	1	FTG-12 SAE X 10 ORS STR	
8	2-00-06030	1	FITTING HYD	
9	56394070	1	FTG-45-10MORFS-12MORB	
10	56394071	1	FTG-90-20MORFS-16MORB	
11	56394029	1	FTG-STR-16FORB-12MORB	
13	56497918	1	PUMP PISTON	
13a	56488002	1	O-RING	
	56418825	1	SEAL KIT	
14	56001858	2	SCR HEX 3/8-16 X 1.25	
15	56002063	2	WSH FLT SAE 3/8	
16	56119238	1		

Part Notes:

- [1] - (items 1-11)
- [2] - items 13-16







Hydraulic SYSTEM - 37 DEGREE FLARE (BEFORE APRIL 10, 2018)

SW8000 165 D 4-CYL NIL

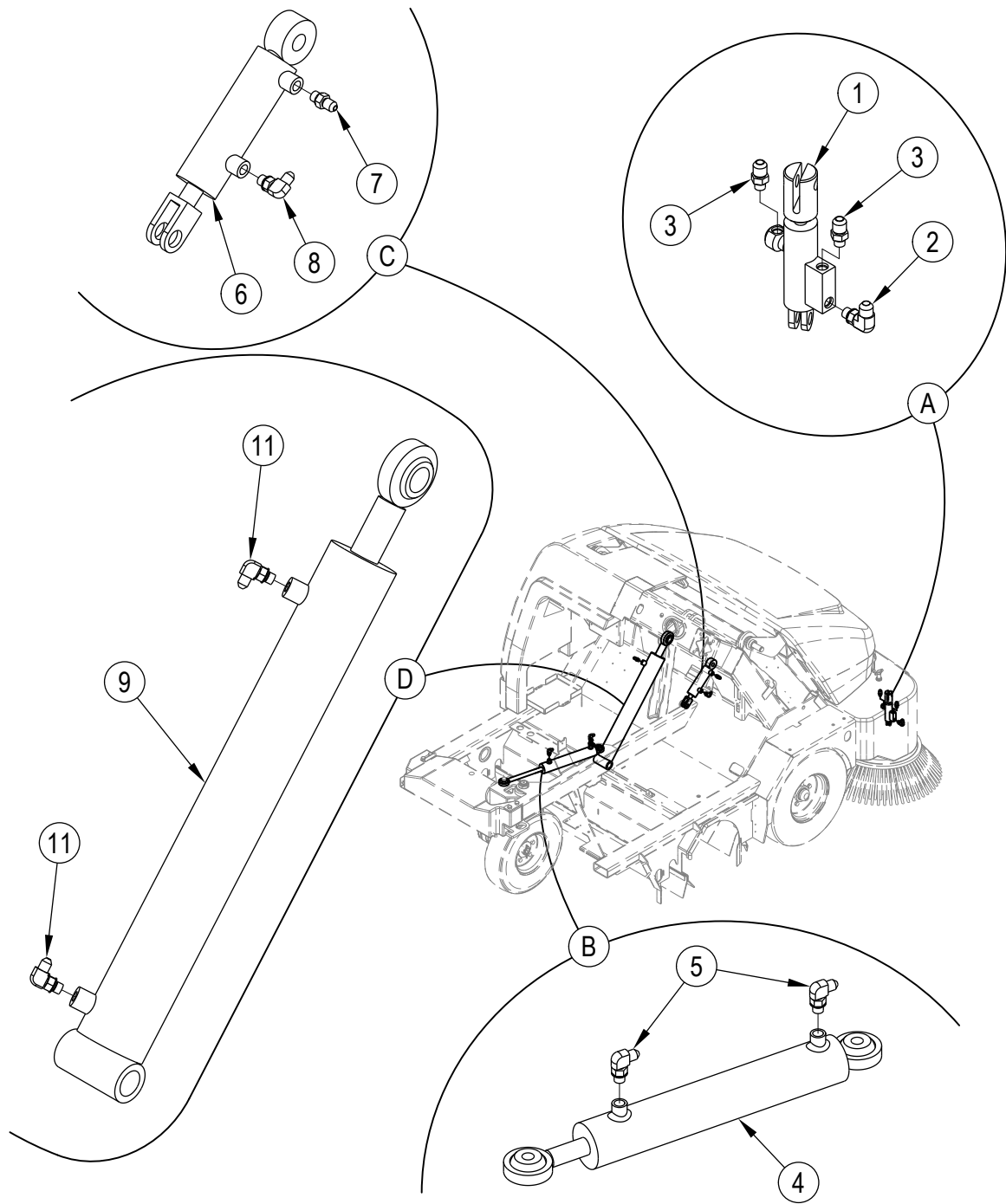
2020.01.23

Pos.	Product no	QTY	Description	Notes
1	56508096	1	STEERING CONTROL UNIT	
	7-70-00127	1	SEAL KIT	
2	56507072	1	RESERVOIR ASSEMBLY	
3	56507603	1	DRIVE MOTOR ASSEMBLY	
4	56507604	1	SIDE BROOM MOTOR ASSEMBLY	
5	56507605	1	SIDE BROOM CYLINDER ASSEMBLY	
6	56394466	1	MOTOR-MAIN BROOM	[1]
7	56507067	1	HYDRAULIC MOTOR VAC FAN	
9	56507609	1	MANIFOLD ASSEMBLY	
10	56507610	1	STEERING CYLINDER ASSEMBLY	
11	56507611	1	HOPPER DOOR CYLINDER ASSEMBLY	
12	56507612	1	HOPPER LIFT CYLINDER ASSEMBLY	
13	56507613	1	PUMP ASSEMBLY	
14	56507614	1	FILTER ASSEMBLY	
15	56507516	1	HOSE HYDRAULIC	
16	56507517	1	HOSE HYDRAULIC	
17	56507518	1	HOSE HYDRAULIC	
18	56507519	1	HOSE HYDRAULIC	
19	56507520	1	HOSE HYDRAULIC	
20	56507521	1	HOSE HYDRAULIC	
21	56507522	2	HOSE HYDRAULIC	
22	56900480	2	ELBOW 90 O-RING	
24	56507360	1	HOSE HYDRAULIC	
25	56507362	1	HOSE HYDRAULIC	
26	56507361	1	HOSE HYDRAULIC	
27	56507363	1	HOSE HYDRAULIC	
28	56507529	1	HOSE HYDRAULIC	
29	56507530	1	HOSE HYDRAULIC	
30	56507531	1	HOSE HYDRAULIC	
31	56384510	2	HOSE-HYDRAULIC KIT	[2]
31		2	Hose-Hyd 451tc-8 7/8x3/4 48lg	[3]
32	56507788	1	HOSE HYDRAULIC	
33	56507534	1	HOSE HYDRAULIC	
34	56507535	1	HOSE HYDRAULIC	
35	56507536	1	HOSE HYDRAULIC	
36	56507537	1	HOSE HYDRAULIC	
37	56507538	1	HOSE HYDRAULIC	
38	56507539	1	HOSE HYDRAULIC	
39	56507540	1	HOSE HYDRAULIC	
40	56507718	1	HOSE HYDRAULIC	
41	56507719	1	HOSE HYDRAULIC	
42	56394318	11		
44	56508814	1	SLEEVE NYLON	
45	56462977	1	SLEEVE 24 IN. NYLON	
46	56409463	1	CLAMP 1.25 HOSE SUPPORT	
47	56016259	1	DECAL OIL FILL	
48		2	Elbow-Hydraulic 90-O-Ring	[4]

Part Notes:

- [1] - TSB-FC-2017-030 SW8000 Main broom hydraulic adapter leaking
DE TSB-FC-2017-030 SW8000 Anschlußverschraubungen am Hauptkehrwalzenmotor undicht
- [2] - For machines built before serial number 1000060163 (which used Hose 56507532), order Hydraulic Hose Kit 56384510
- [3] - For machines built after serial number 1000060162, order Hydraulic Hose Kit 56384510 to replace items 31 and 48
- [4] - For machines built after serial number 1000060162, order Hydraulic Hose Kit 56384510 to replace items 31 and 48, TSB-FC-2017-030

TSB-FC-2017-030 SW8000 Main broom hydraulic adapter leaking
DE TSB-FC-2017-030 SW8000 Anschlußverschraubungen am Hauptkehrwalzenmotor undicht

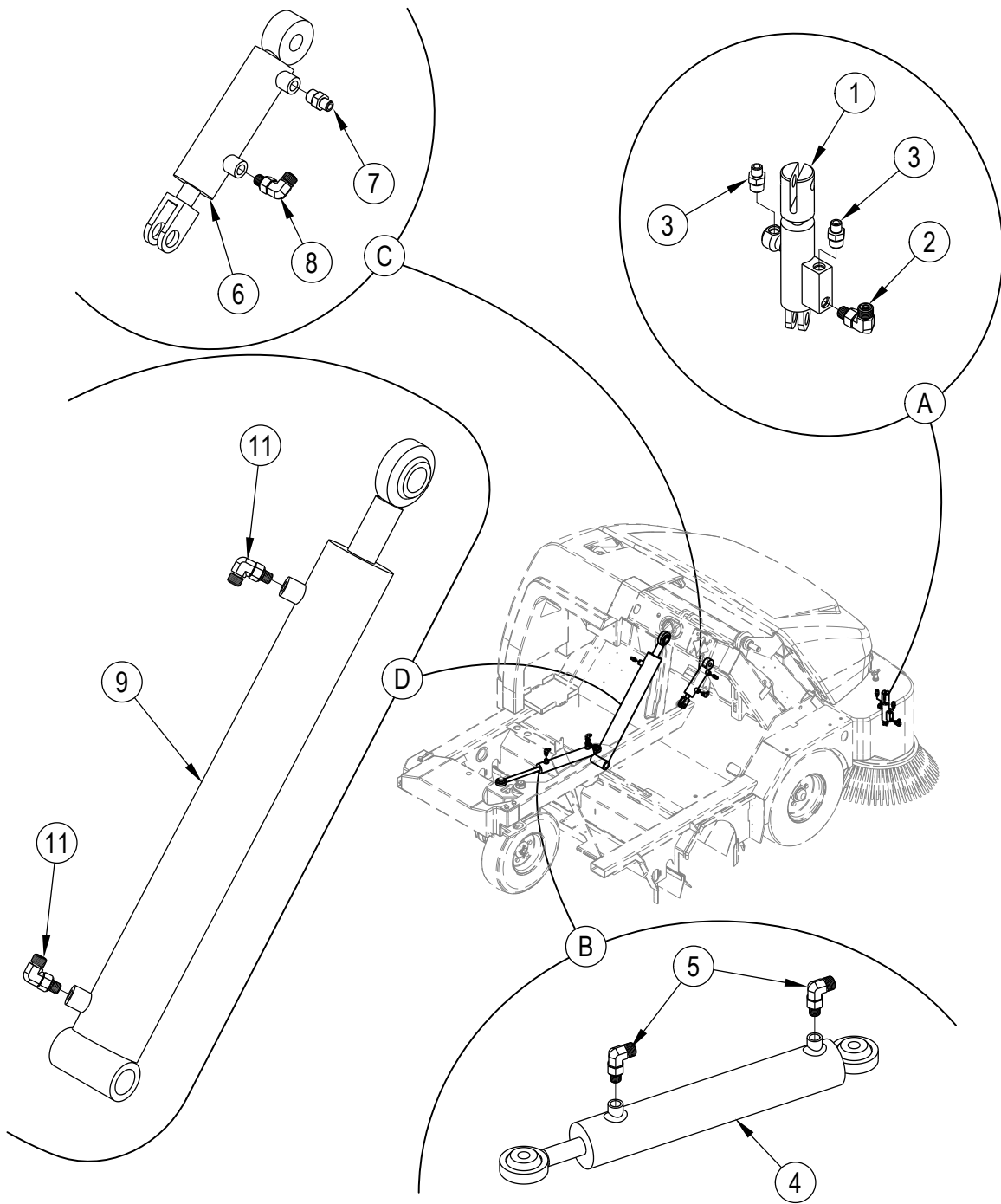


Hydraulic SYSTEM - CYLINDER ASSEMBLIES - 37 DEGREE FLARE (BEFORE AP

SW8000 165 D 4-CYL NIL

2018.10.24

Pos.	Product no	QTY	Description	Notes
A	56507605	1	SIDE BROOM CYLINDER ASSEMBLY	
1	56507065	1	SIDE BROOM CYLINDER	
	56109100	1	SEAL KIT	
2	56900286	1	ELBOW 90 DEG E00003	
3	56900370	2	CONNECTOR O-RING	
B	56507610	1	STEERING CYLINDER ASSEMBLY	
4	56507095	1	STEERING CYLINDER	
	56380809	1	SEAL KIT	
5	56900101	2	ELBOW 90 DEG.O/R -4 E00003	
C	56507611	1	HOPPER DOOR CYLINDER ASSEMBLY	
6	56507155	1	CYLINDER HYDRAULIC HOPPER DOOR	
7	56900001	1	CONNECTOR O-RING-4 E00001	
8	56900101	1	ELBOW 90 DEG.O/R -4 E00003	
D	56507612	1	HOPPER LIFT CYLINDER ASSEMBLY	
9	56507241	1	CYLINDER HYDRAULIC HOPPER LIFT	
	56380813	1	SEAL KIT	
11	56900101	1	ELBOW 90 DEG.O/R -4 E00003	

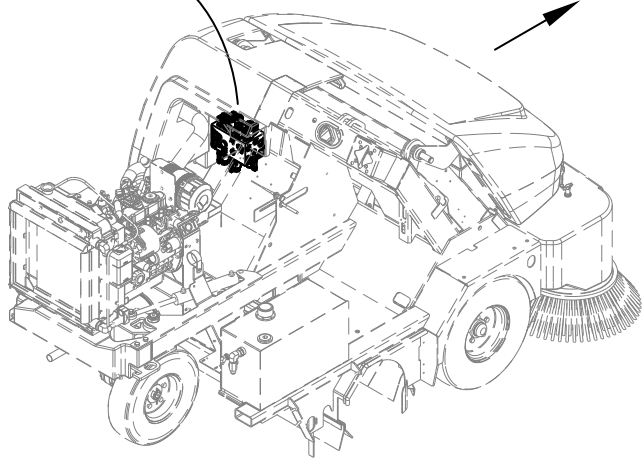
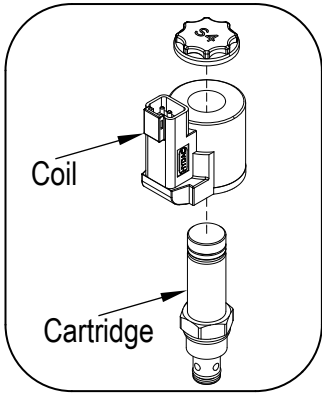
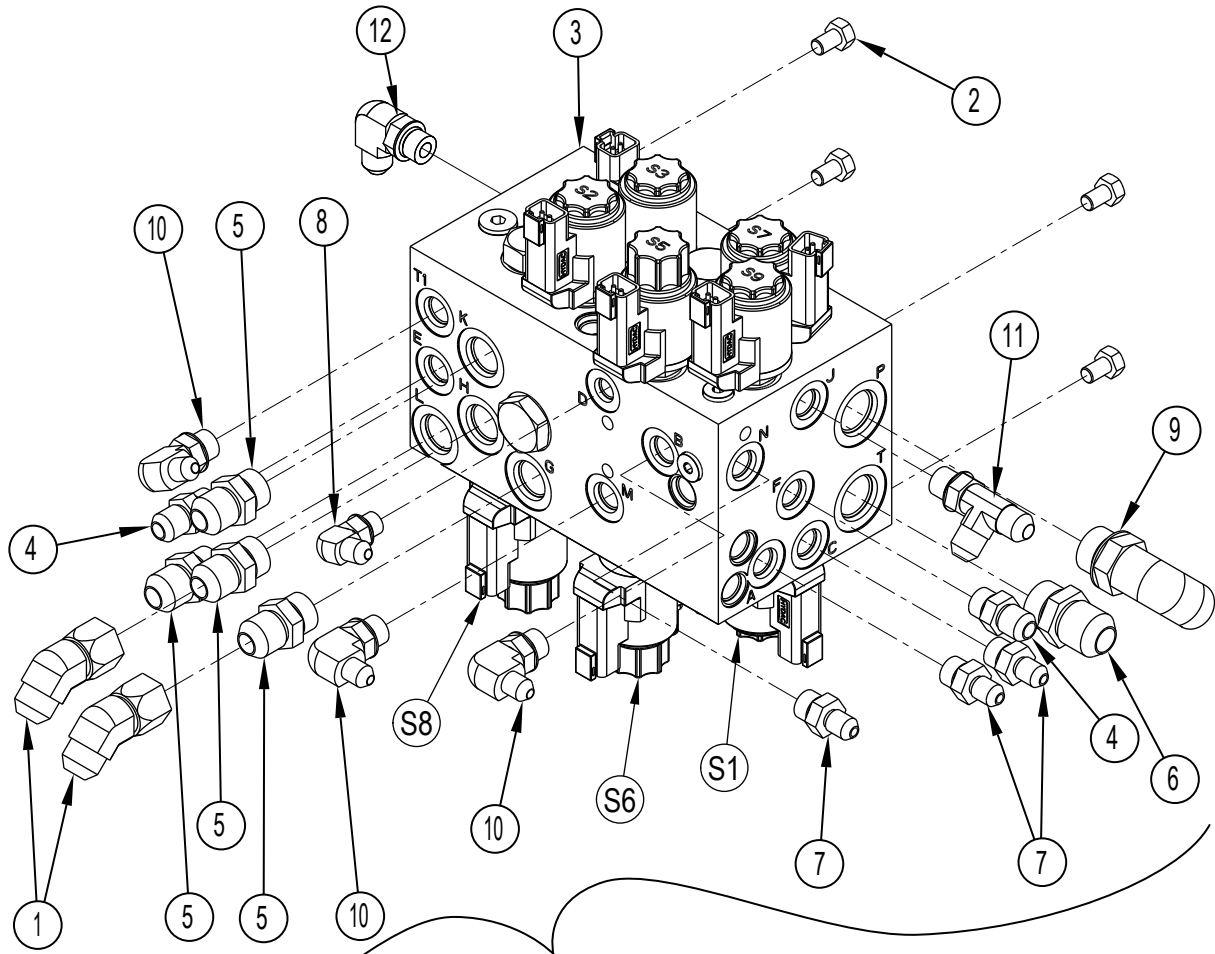


Hydraulic SYSTEM - CYLINDER ASSEMBLIES - ORFS (APRIL 10 OR AFTER, 2018)

SW8000 165 D 4-CYL NIL

2018.10.24

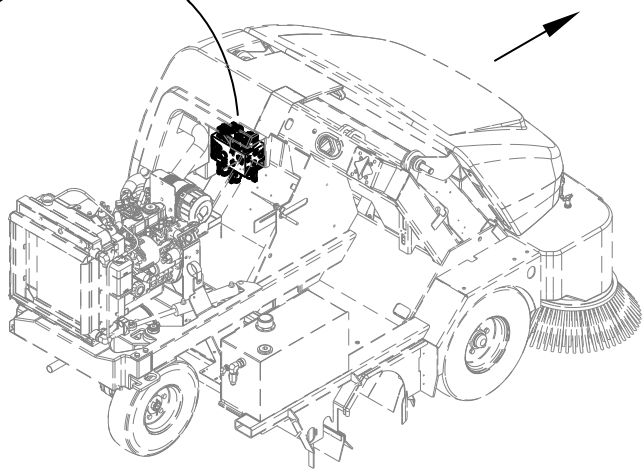
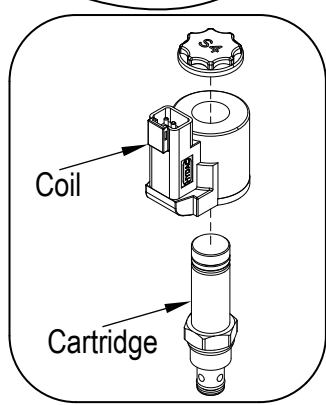
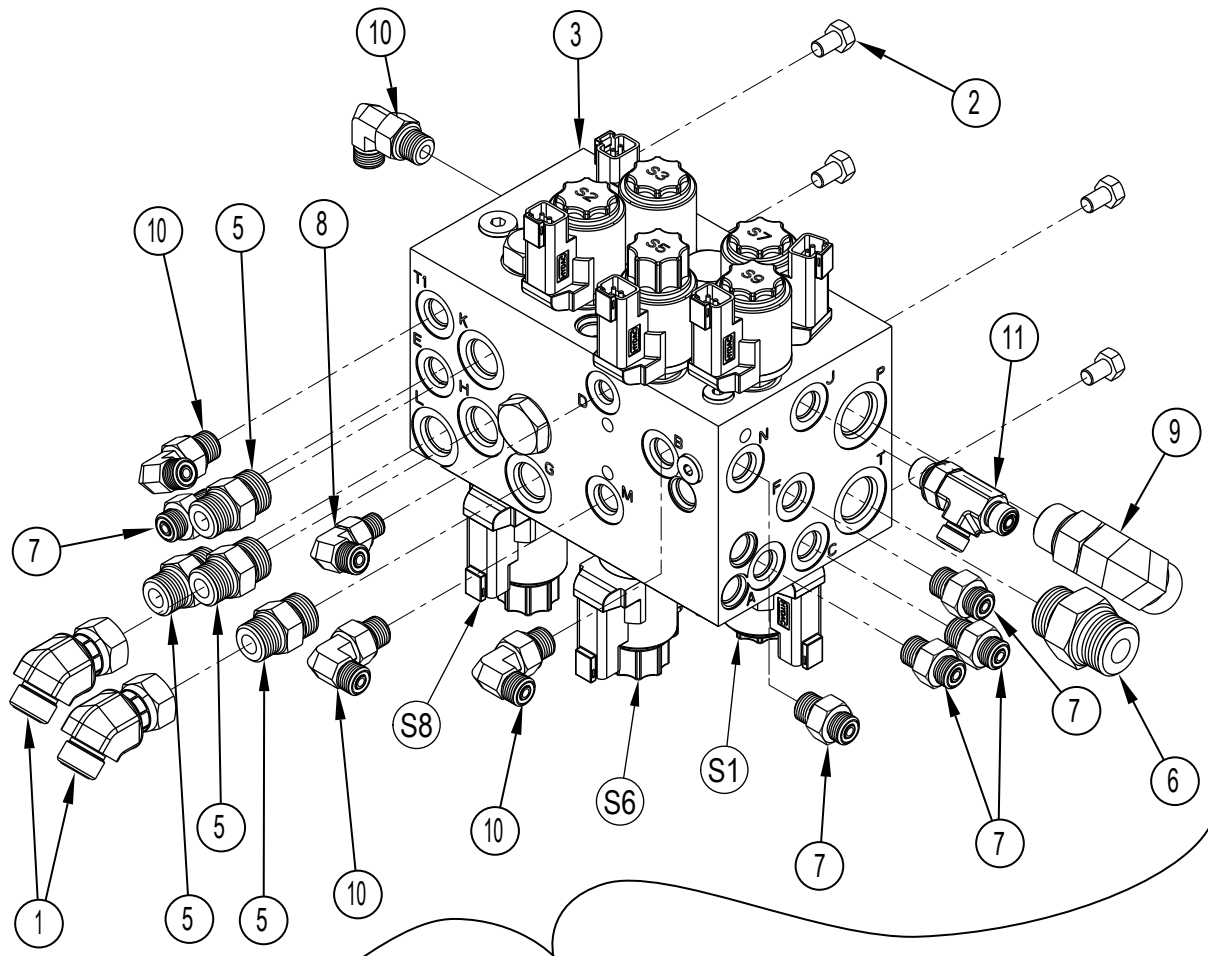
Pos.	Product no	QTY	Description	Notes
A	56107794	1	SIDE BROOM CYLINDER ASSY-RIGHT	
1	56507065	1	SIDE BROOM CYLINDER	
	56109100	1	SEAL KIT	
2	2-00-04892	1	HYD. ADAPTER-SAE TO OR 90 EL	
3	2-00-04895	2	STRAIGHT THREAD FITTING	
B	56107798	1	STEERING CYLINDER ASSEMBLY	
4	56507095	1	STEERING CYLINDER	
	56380809	1	SEAL KIT	
5	2-00-04892	2	HYD. ADAPTER-SAE TO OR 90 EL	
C	56107799	1	HOPPER DOOR CYLINDER ASSEMBLY	
6	56507155	1	CYLINDER HYDRAULIC HOPPER DOOR	
7	2-00-04895	1	STRAIGHT THREAD FITTING	
8	2-00-04892	1	HYD. ADAPTER-SAE TO OR 90 EL	
D	56107800	1	HOPPER LIFT CYLINDER ASSEMBLY	
9	56507241	1	CYLINDER HYDRAULIC HOPPER LIFT	
	56380813	1	SEAL KIT	
11	2-00-04892	1	HYD. ADAPTER-SAE TO OR 90 EL	



Pos.	Product no	QTY	Description	Notes
	56507609	1	MANIFOLD ASSEMBLY	
1	56900324	2	ELBOW 45DEG W/NUT 8 E00008	
2	56002923	4	SCR HEX LOC 5/16-18 X .50	
3	56507073	1	HYDRAULIC MANIFOLD	
	56305368	3	CARTRIDGE	[1]
	56305369	2	CARTRIDGE	[2]
	56305367	2	CARTRIDGE	[3]
	56305531	1	CARTRIDGE	[4]
	56507686	1	CARTRIDGE	[5]
	56507687	1	CARTRIDGE FLOW CONTROL 2 GPM	
	56507688	1	CARTRIDGE	[6]
	56508223	1	SEAL KIT	[7]
	56419397	1	RELIEF VALVE CARTRIDGE	
	56507690	1	DIRECTIONAL VALVE	
	56305370	1	CHECK VALVE CARTRIDGE	
	56507692	1	CARTRIDGE	[8]
	56507983	1	ORIFICE	[9]
	56508184	1	ORFICE	[10]
	56507693	1	ORIFICE	[11]
	56507694	8	COIL 12 VDC	[12]
	56507695	1	COIL 12 VDC	[13]
	56305354	8	SEAL KIT	[14]
	56305355	2	SEAL KIT	[15]
	56507702	1	SEAL KIT	[16]
	56508840	1	CAVITY PLUG	
	56507699	1	SEAL KIT	[17]
	56507700	1	SEAL KIT	[18]
	56507701	1	SEAL KIT	[19]
4	56900003	2	CONNECTOR O/R -6 E00001	
5	56900004	4	CONNECTOR O/R -8 E00001	
6	56900005	1	CONNECTOR O/R -10 E00001	
7	56900011	3	CONNECTOR-4-6 E00001	
8	56900101	1	ELBOW 90 DEG.O/R -4 E00003	
9	56900105	1	ELBOW 90DEG.O/R -10 E00003	
10	56900110	3	ELBOW 90DEG O/R-4-6 E00003	
11	56900203	1	TEE RUN O/R -6 E00005	
12	56900103	1	ELBOW 90 DEG O/R -6 E00003	

Part Notes:

- [1] - Cartridge for S1, S2 (S4 is part of litter vac option)
- [2] - Cartridge for S3, S7
- [3] - Cartridge for S5, S9
- [4] - Cartridge for S6
- [5] - Cartridge for S8
- [6] - Cartridge for Flow Divider
- [7] - Seal Kit for 56507688
- [8] - Cartridge for PO Check Valve
- [9] - Orifice, .086
- [10] - Orifice, .078
- [11] - Orifice, .038
- [12] - Solenoid Coil with Connector For S1-S7, S9
- [13] - Solenoid Coil with Connector For S8
- [14] - Seal Kit for S1, S2, S4, S5, S6, S9, Relief, Check Valve
- [15] - Seal Kit for S3, S7
- [16] - Seal Kit for Po Check Valve
- [17] - Seal Kit for S8
- [18] - Seal Kit for Piloted 3/2 Directional Valve
- [19] - Seal Kit for Flow Control, 2.0 GPM



Hydraulic SYSTEM - MANIFOLD ASSY - ORFS (APRIL 1 OR AFTER, 2018)

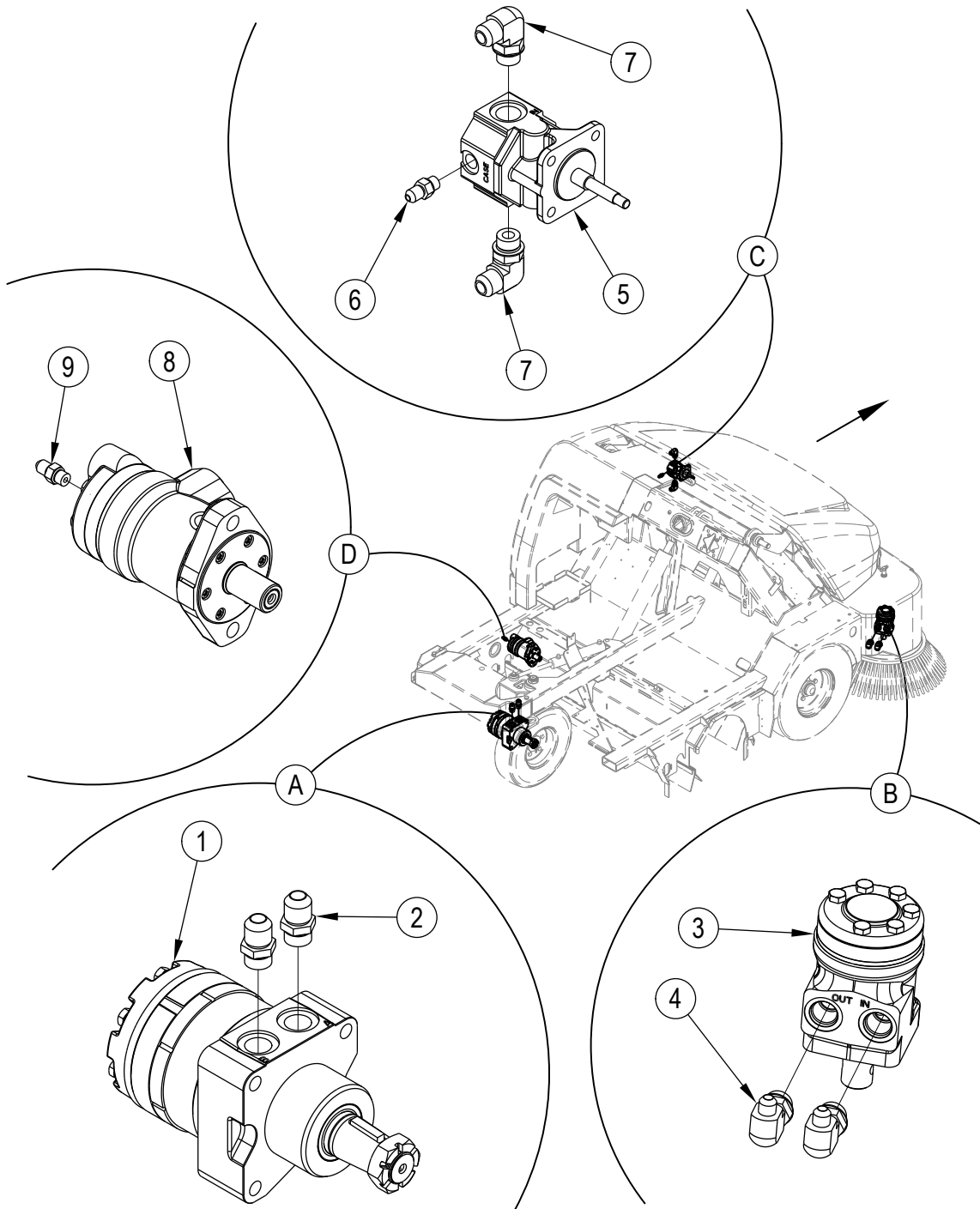
SW8000 165 D 4-CYL NIL

2018.10.24

Pos.	Product no	QTY	Description	Notes
	56107797	1	MANIFOLD ASSEMBLY	
1	56394036	2	FTG-45-8MORFS-8FSWORFS	
2	56002923	4	SCR HEX LOC 5/16-18 X .50	
3	56507073	1	HYDRAULIC MANIFOLD	
	56305368	3	CARTRIDGE	[1]
	56305369	2	CARTRIDGE	[2]
	56305367	2	CARTRIDGE	[3]
	56305531	1	CARTRIDGE	[4]
	56507686	1	CARTRIDGE	[5]
	56507687	1	CARTRIDGE FLOW CONTROL 2 GPM	
	56507688	1	CARTRIDGE	[6]
	56508223	1	SEAL KIT	[7]
	56419397	1	RELIEF VALVE CARTRIDGE	
	56507690	1	DIRECTIONAL VALVE	
	56305370	1	CHECK VALVE CARTRIDGE	
	56507692	1	CARTRIDGE	[8]
	56507983	1	ORIFICE	[9]
	56508184	1	ORFICE	[10]
	56507693	1	ORIFICE	[11]
	56507694	8	COIL 12 VDC	[12]
	56507695	1	COIL 12 VDC	[13]
	56305354	8	SEAL KIT	[14]
	56305355	2	SEAL KIT	[15]
	56507702	1	SEAL KIT	[16]
	56508840	1	CAVITY PLUG	
	56507699	1	SEAL KIT	[17]
	56507700	1	SEAL KIT	[18]
	56507701	1	SEAL KIT	[19]
5	2-00-04970	4	FITTING-HYD STR 8 ORS-8 SAE	
6	2-00-06021	1	FITTING HYD	
7	2-00-04918	5	FITTING-STRAIGHT SAE6 TO ORS4	
8	2-00-04892	1	HYD. ADAPTER-SAE TO OR 90 EL	
9	56394023	1	FTG-90-10MORFS-10MORB	
10	2-00-04926	4	FITTING-90 SAE6 TO ORS4	
11	56394033	1	FTG-RUN TEE-4MORFS-6MORB	

Part Notes:

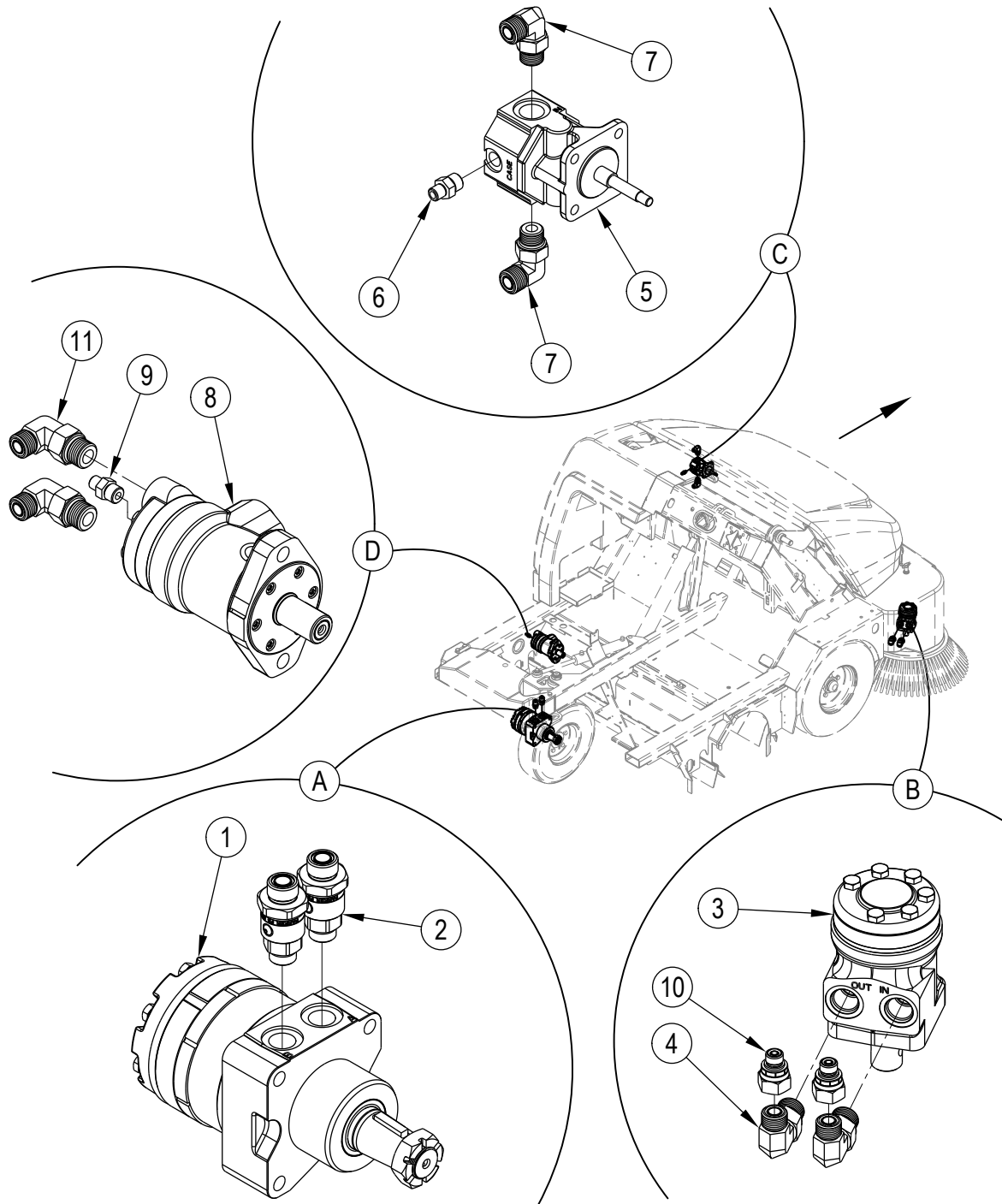
- [1] - Cartridge for S1, S2 (S4 is part of litter vac option)
- [2] - Cartridge for S3, S7
- [3] - Cartridge for S5, S9
- [4] - Cartridge for S6
- [5] - Cartridge for S8
- [6] - Cartridge for Flow Divider
- [7] - Seal Kit for 56507688
- [8] - Cartridge for PO Check Valve
- [9] - Orifice, .086
- [10] - Orifice, .078
- [11] - Orifice, .038
- [12] - Solenoid Coil with Connector For S1-S7, S9
- [13] - Solenoid Coil with Connector For S8
- [14] - Seal Kit for S1, S2, S4, S5, S6, S9, Relief, Check Valve
- [15] - Seal Kit for S3, S7
- [16] - Seal Kit for Po Check Valve
- [17] - Seal Kit for S8
- [18] - Seal Kit for Piloted 3/2 Directional Valve
- [19] - Seal Kit for Flow Control, 2.0 GPM



Pos.	Product no	QTY	Description	Notes
A	56507603	1	DRIVE MOTOR ASSEMBLY	[1]
1	56507063	1	MOTOR TRACTION DRIVE	[2]
	56507618	1	SEAL KIT	[3]
	56462927	1	CASTLE NUT	
2	56109735	2	SWIVEL ADAPTER	
B	56507604	1	SIDE BROOM MOTOR ASSEMBLY	
3	56107828	1	MOTOR-SIDE BROOM	
	56507619	1	SEAL KIT FOR SIDE BROOM MOTOR	[4]
4	56900113	2	ELBOW 90 DEG.O/R	
C		1	Dust Control Motor Assembly (items 5-7)	
5	56507067	1	HYDRAULIC MOTOR VAC FAN	
	56418823	1	SEAL KIT	[5]
6	56900001	1	CONNECTOR O-RING-4 E00001	
7	56900104	2	ELBOW 90 DEG.O/R -8 E00003	
D		1	Main Broom Motor Assembly (items 8-9)	
8	56394466	1	MOTOR-MAIN BROOM	[6]
	56507620	1	SEAL KIT FOR MAIN BROOM MOTOR	[7]
9	56900001	1	CONNECTOR O-RING-4 E00001	

Part Notes:

- [1] - (items 1-2)
- [2] - TSB-FC-2017-039
- [3] - for 56507063
- [4] - for 56507064
- [5] - for 56507067
- [6] - TSB-FC-2017-030
- [7] - for 56507066



Hydraulic SYSTEM - MOTOR ASSEMBLIES - ORFS (APRIL 2018 OR AFTER, 2018)

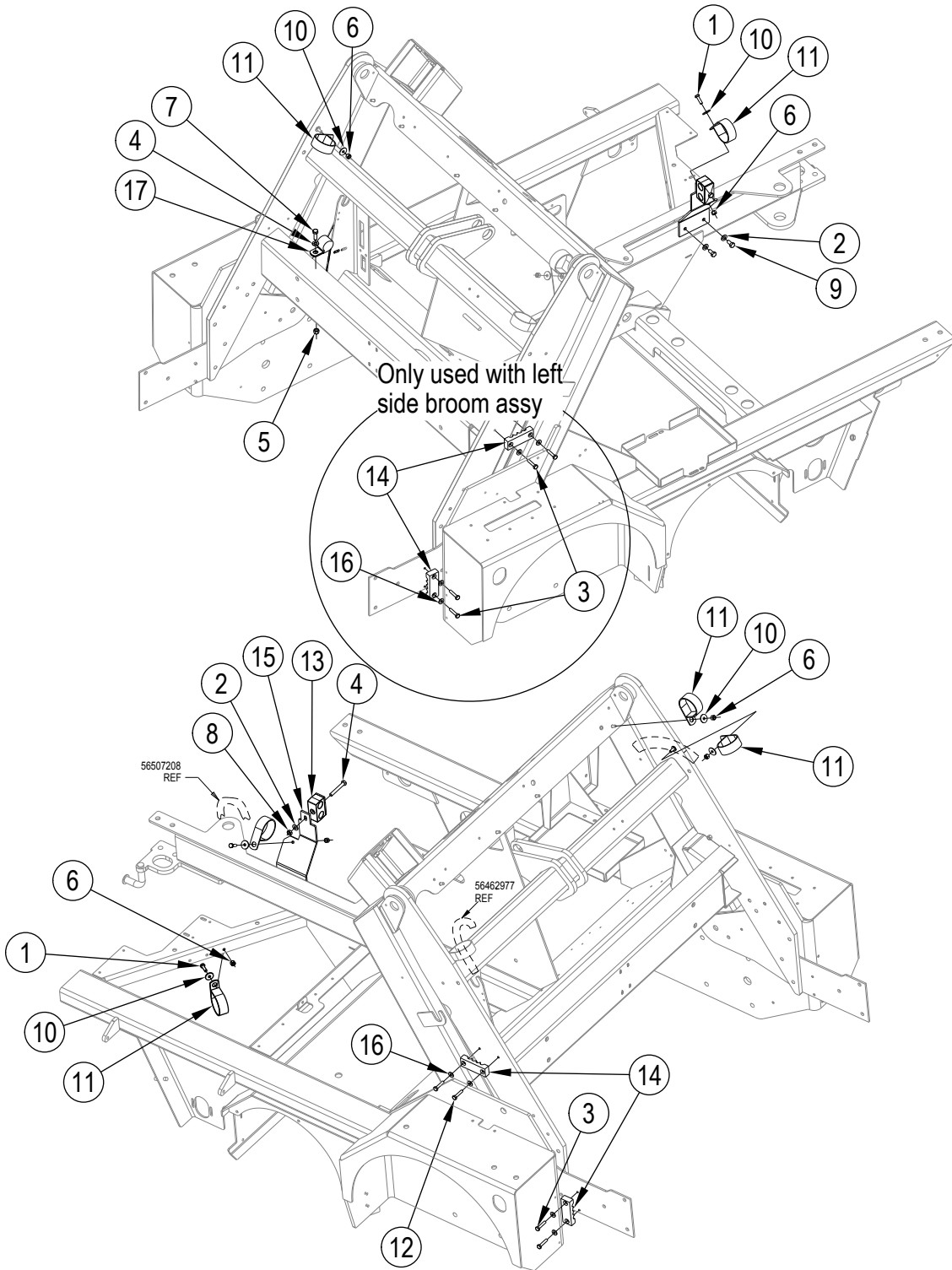
SW8000 165 D 4-CYL NIL

2018.10.24

Pos.	Product no	QTY	Description	Notes
A	56107792	1	DRIVE MOTOR ASSEMBLY	
1	56507063	1	MOTOR TRACTION DRIVE	
	56507618	1	SEAL KIT	[1]
	56462927	1	CASTLE NUT	[1]
2	56394073	2	FTG-SWIVEL-STR-10MORB-10MORFS	
B	56107793	1	SIDE BROOM MOTOR ASSEMBLY	
3	56107828	1	MOTOR-SIDE BROOM	
	56507619	1	SEAL KIT FOR SIDE BROOM MOTOR	[2]
4	2-00-04921	2	FTG-90-8MORFS-10MORB	
10	56394072	2	FTG-STR-8FSWORFS-4MORFS	
C	56107796	1	DUST CONTROL MOTOR ASSEMBLY	
5	56507067	1	HYDRAULIC MOTOR VAC FAN	
	56418823	1	SEAL KIT	[3]
6	2-00-04895	1	STRAIGHT THREAD FITTING	
7	2-00-04885	2	HYD.FITTING SAE TO OR 90 EL	
D	56107795	1	MAIN BROOM MOTOR ASSEMBLY	
8	56394466	1	MOTOR-MAIN BROOM	
	56507620	1	SEAL KIT FOR MAIN BROOM MOTOR	[4]
9	2-00-04895	1	STRAIGHT THREAD FITTING	
11	2-00-04921	2	FTG-90-8MORFS-10MORB	

Part Notes:

- [1] - for 56507063
- [2] - for 56507064
- [3] - for 56507067
- [4] - for 56507066

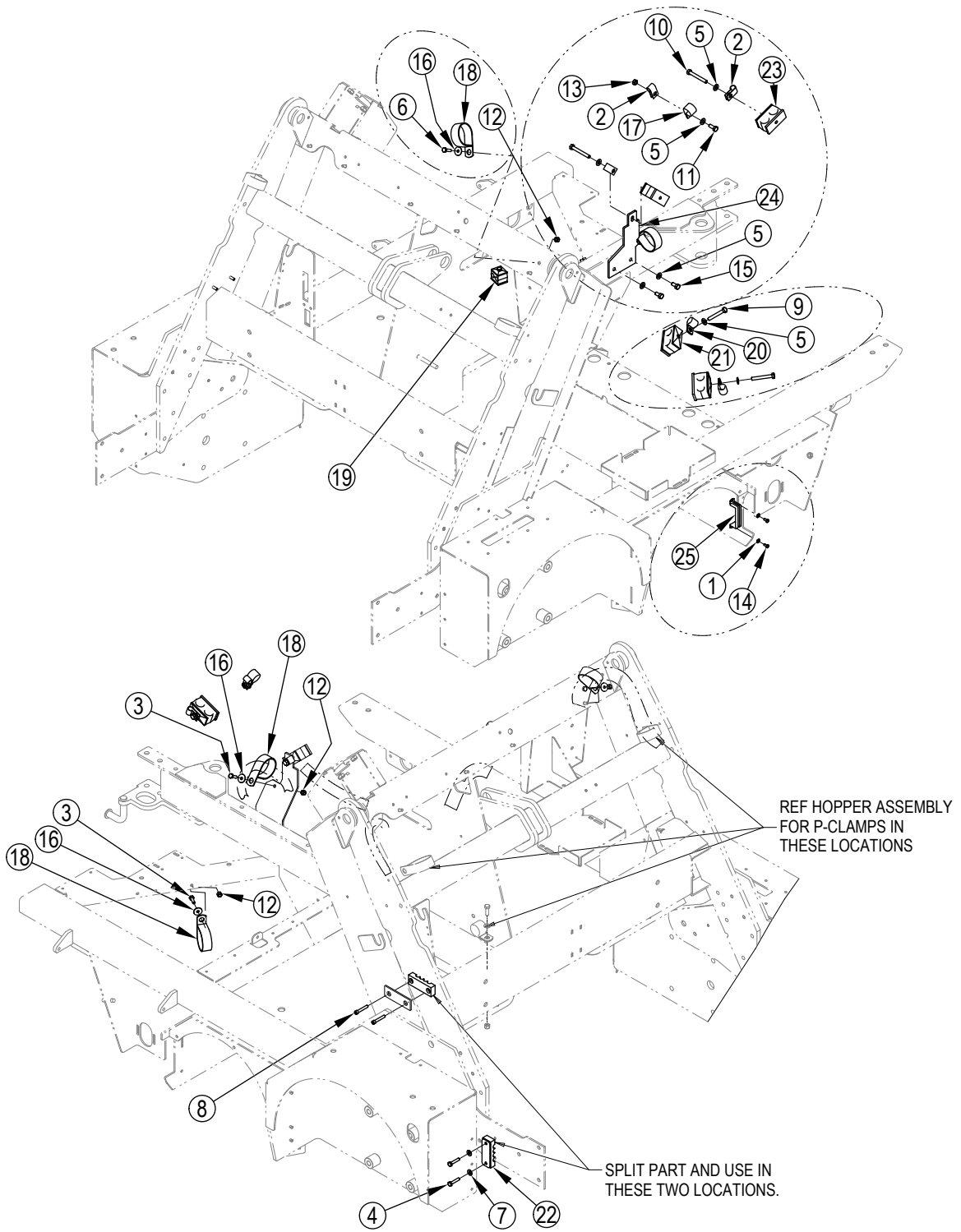


Hydraulic SYSTEM - MOUNTING – 37 DEGREE FLARE (BEFORE APRIL 1, 2018)

SW8000 165 D 4-CYL NIL

2019.10.12
2018.10.24

Pos.	Product no	QTY	Description	Notes
1	56001821	2	SCR HEX 1/4-20 X .88	
2	56001939	4	WSH FLT SAE 5/16	
3	56001878	4	SCR HEX 1/4-20 X 1.25	
4	56002420	1	SCR HEX 5/16-18 X 2.25	
5	56002701	1	NUT HEX NYL LOC 5/16-18	
6	56002708	5	NUT HEX NYL LOC 1/4-20	
7	56002221	1	SCR HEX 5/16-18 X 1.00	
8	56002826	1	NUT HEX NYL LOC-THIN 5/16-18	
9	56002929	2	SCR HEX LOC 5/16-18 X .62	
10	56009002	6	WASHER FLAT .266X.906X.060	
11	56315257	5	CLAMP P	
12	56002242	2	SCR SOC HD 1/4-20 X 1.50	
13	56507218	1	CLAMP-HOSE-TWIN-20MM	
14	56507922	1	CLAMP-HOSE-QUAD-13MM	
15	56508327	1	BRACKET HOSE CLAMP	
16	56002098	4	H FLT SAE 1/4	
17	56409463	1	CLAMP 1.25 HOSE SUPPORT	
18	56002093	1	SCR HEX 1/4-20 X 1.00	



Hydraulic SYSTEM - MOUNTING - ORFS (APRIL 1 OR AFTER 2018)

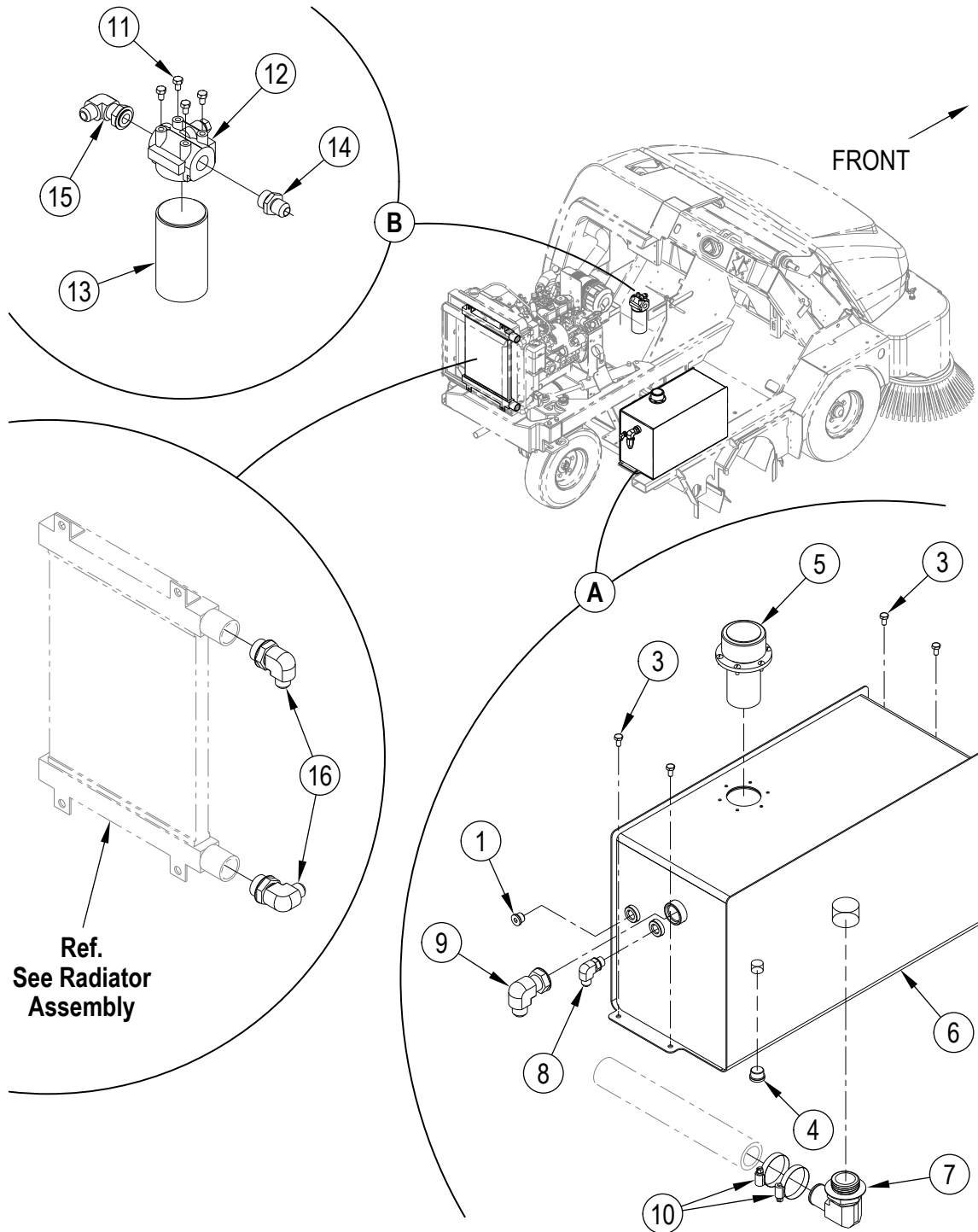
SW8000 165 D 4-CYL NIL

2020.01.23

Pos.	Product no	QTY	Description	Notes
1	2-00-00460	2	WSHR-FLAT .438X.192X.031 STL.	
2	56385491	3	CLAMP-P-.50 DIA G S	
3	56001821	2	SCR HEX 1/4-20 X .88	
4	56001878	2	SCR HEX 1/4-20 X 1.25	
5	56001939	7	WSH FLT SAE 5/16	
6	56002093	1	SCR HEX 1/4-20 X 1.00	
7	56002098	2	H FLT SAE 1/4	
8	56001961	2	SCR SOC HD 1/4-20 X 1.25	[1]
9	56002420	2	SCR HEX 5/16-18 X 2.25	
10	56002426	2	SCR HEX 5/16-18 X 2.50	[1]
11	56002667	1	SCR HEX 5/16-18 X .75	
12	56002708	3	NUT HEX NYL LOC 1/4-20	
13	56002826	1	NUT HEX NYL LOC-THIN 5/16-18	
14	56002879	2	Bolt (s/s)	[1]
15	56002929	2	SCR HEX LOC 5/16-18 X .62	
16	56009002	3	WASHER FLAT .266X.906X.060	
17	56303651	1	CLAMP P CL-16	
18	56315257	3	CLAMP P	
19	56394096	1	CLAMP-HOSE-TWIN-12MM	
20	56419120	2	CLAMP HOSE SUPPORT 56E00616	
21	56507218	2	CLAMP-HOSE-TWIN-20MM	
22	56507922	1	CLAMP-HOSE-QUAD-13MM	
23	56508238	2	CLAMP-HOSE-TWIN-25MM	
24	56508327	1	BRACKET HOSE CLAMP	
25	56508979	1	STRAP-RETAINING-2.5INX.88IN	

Part Notes:

[1] - GUARANTEE DATE EXPIRED

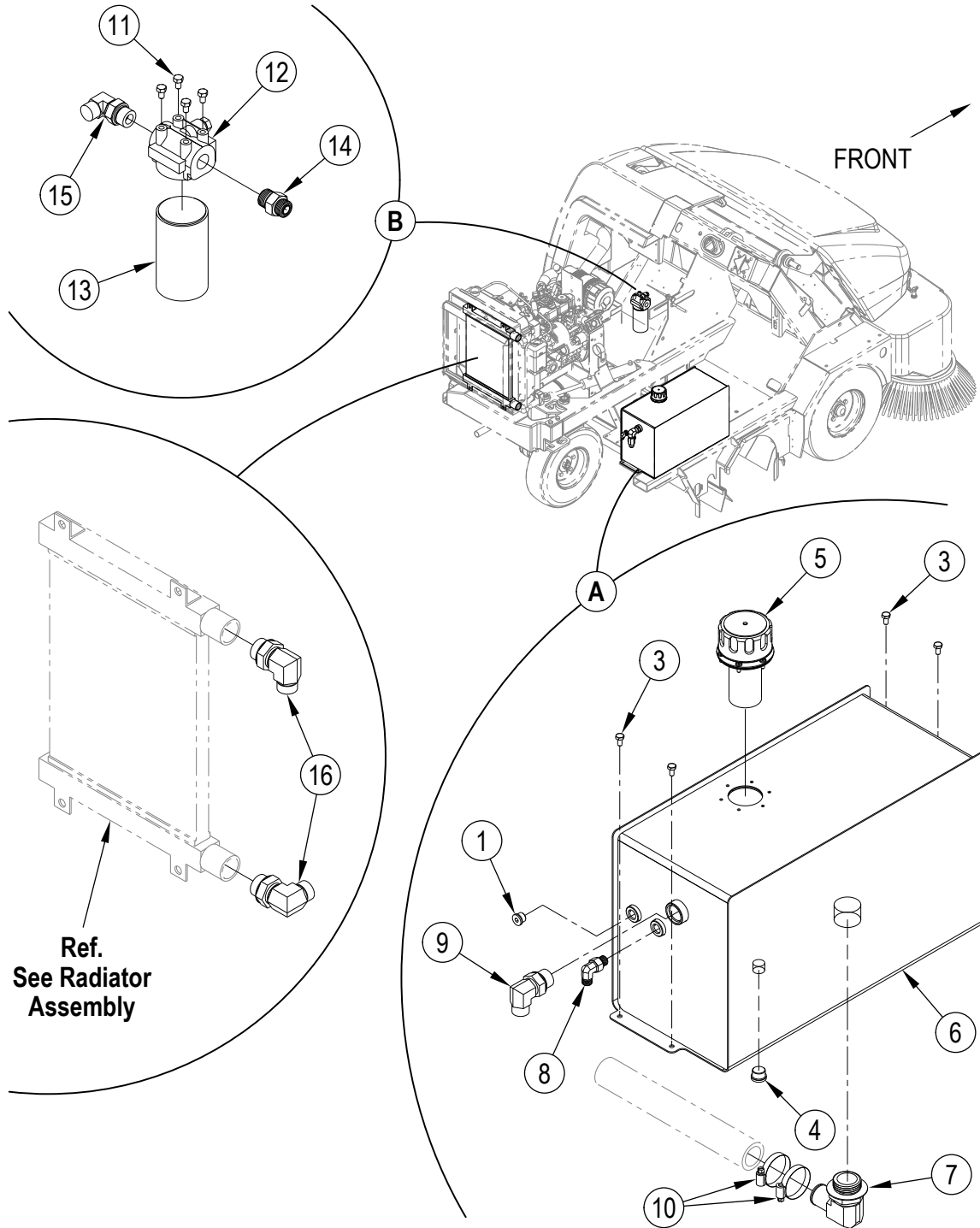


Hydraulic SYSTEM - OIL FILTER-RESERVOIR - 37 DEGREE FLARE (BEFORE AF

SW8000 165 D 4-CYL NIL

2018.10.24

Pos.	Product no	QTY	Description	Notes
A	56507072	1	RESERVOIR ASSEMBLY	
1	56418776	1	PLUG HEX O-RING E00594	
3	56009033	4	SCR HEX THD FORM 1/4-20X.50	
4	56463403	1	PLUG HEX O-RING E00594	
5	56107825	1	CAP-FILLER	
6	56507507	1	RESERVOIR WELDMENT	
7	56508846	1	ELBOW BARBED HYD FITTING	
8	56900103	1	ELBOW 90 DEG O/R -6 E00003	
9	56900116	1	ELBOW 90 O/R -10-12 E00003	
10	56329145	2	CLAMP HOSE SAE 24 E00047	
B	56507614	1	FILTER ASSEMBLY	
11	56002923	4	SCR HEX LOC 5/16-18 X .50	
12	56419253	1	HEAD OIL FILTER	
13	56419254	1	FILTER HYDRAULIC OIL	
14	56900017	1	CONNECTOR O/R-10-12 E00001	
15	56900116	1	ELBOW 90 O/R -10-12 E00003	
16	56900480	2	ELBOW 90 O-RING	

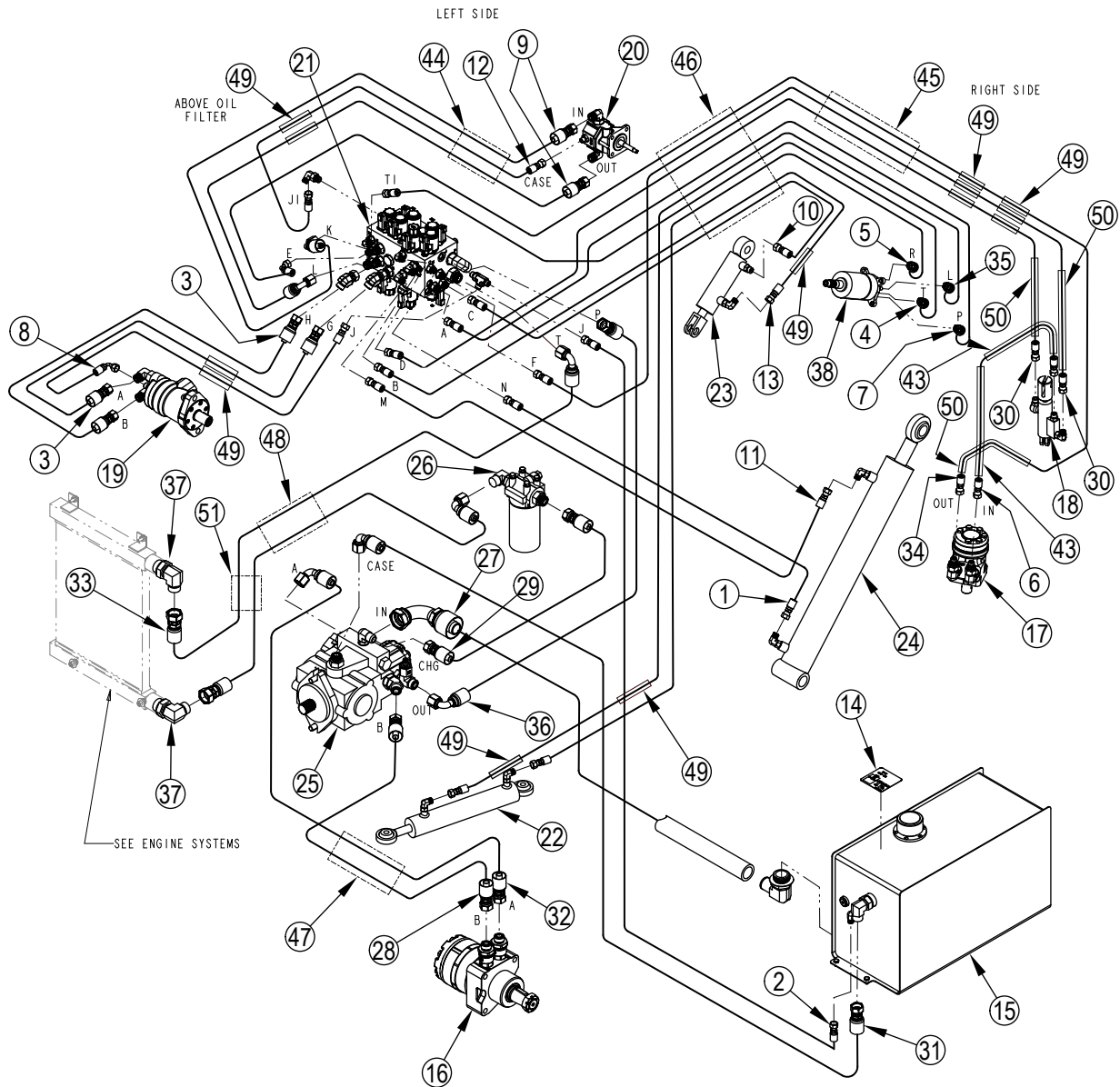


Hydraulic SYSTEM - OIL FILTER-RESERVOIR - ORFS (APRIL 10R OR AFTER, 2018)

SW8000 165 D 4-CYL NIL

2019.05.07
2019.05.13

Pos.	Product no	QTY	Description	Notes
A	56107791	1	RESERVOIR ASSEMBLY	
1	56418776	1	PLUG HEX O-RING E00594	
3	56009033	4	SCR HEX THD FORM 1/4-20X.50	
4	56463403	1	PLUG HEX O-RING E00594	
5	56107825	1	CAP-FILLER	
6	56507507	1	RESERVOIR WELDMENT	
7	56508846	1	ELBOW BARBED HYD FITTING	
8	2-00-04926	1	FITTING-90 SAE6 TO ORS4	
9	2-00-04961	1	FTG-12 SAE X 10 ORS STR	
10	56329145	2	CLAMP HOSE SAE 24 E00047	
B	56107802	1	FILTER ASSEMBLY	
11	56002923	4	SCR HEX LOC 5/16-18 X .50	
12	56419253	1	HEAD OIL FILTER	
13	56419254	1	FILTER HYDRAULIC OIL	
14	2-00-05730	1	FTG-12 SAE X 10 ORS STR	
15	2-00-04961	1	FTG-12 SAE X 10 ORS STR	
16	2-00-04920	2	FITTING-REDUCER IGS AE TO 12ORS	



Pos.	Product no	QTY	Description	Notes
1	7-33-02184	1	HOSE-HYD ORS 4 STR ENDS 25.5	[1]
2	7-33-02188	1	HOSE-HYD ORS 4 STR ENDS 76	
3	7-33-02298	2	HOSE .812-16 ORS ENDS 48.00LG	[1]
4	7-33-02574	1	HOSE HYD 4 45-STR 9/16-18	
5	7-33-02575	1	HOSE-HYD-A1-1A1-1B1-1207	
6	7-33-02577	1	HOSE HYD 4 STR-STR 9/16-18	
7	7-33-02582	1	HOSE HYD 4 STR-45 9/16-18	
8	7-33-02603	1	HOSE-HYD-A1-1A1-1C1-1473	
9	7-33-02734	2	HOSE-HYD ORS-8 90 TO STR 68	
10	8-33-02173	1	HOSE-HYD ORS4 STR ENDS 80	
11	8-33-02178	1	HOSE-HYD ORS4 STR ENDS 15	
12	8-33-02189	1	HOSE .25ID IWB 66	
13	8-33-02216	1	HOSE - 4-4 O RING FACE 88 LG	
14	56016259	1	DECAL OIL FILL	
15	56107791	1	RESERVOIR ASSEMBLY	
16	56107792	1	DRIVE MOTOR ASSEMBLY	
17	56107793	1	SIDE BROOM MOTOR ASSEMBLY	
18	56107794	1	SIDE BROOM CYLINDER ASSY-RIGHT	
19	56394466	1	MOTOR-MAIN BROOM	
20	56107796	1	DUST CONTROL MOTOR ASSEMBLY	
21	56107797	1	MANIFOLD ASSEMBLY	
22	56107798	1	STEERING CYLINDER ASSEMBLY	
23	56107799	1	HOPPER DOOR CYLINDER ASSEMBLY	
24	56107800	1	HOPPER LIFT CYLINDER ASSEMBLY	
25	56119566	1	PUMP ASSEMBLY	
26	56107802	1	FILTER ASSEMBLY	
27	56119241	1	HOSE-HYD-D8-1C8-9M8-1219	
28	56119268	1	HOSE-HYD-C5-1A5-1A5-1194	
29	56119269	1	HOSE-HYD-C5-1A5-1A5-533	
30	56119277	2	HOSE-HYD-A1-1A1-1A1-2604	
31	56119284	1	HOSE-HYD-C5-1A5-1C5-1854	
32	56119285	1	HOSE-HYD-C5-1A5-1C5-1524	
33	56119287	2	HOSE-HYD-C5-1A5-1C5-1829	
34	56119294	1	HOSE-HYD-A1-1A1-1C1-2756	
35	56119298	1	HOSE-HYD-A1-1A1-1B1-1473	
36	56394022	1	HOSE-HYD-C5-1A5-1C5-686	
37	2-00-04920	2	FITTING-REDUCER IGSAE TO 12ORS	
38	8-60-05034	1	STEERING CONTROL UNIT	[1]
	7-70-00127	1	SEAL KIT	
42	56394318	11		
43	56394046	2	WRAP-SPIRAL-5/8 IN DIA X 9IN	
44	56508814	1	SLEEVE NYLON	
45	56462977	1	SLEEVE 24 IN. NYLON	
46	56507208	1	SLEEVE 12 IN. NYLON	
47	56508972	1	SLEEVE-NYLON-2.38IN ID X 42IN	
48	56508973	1	SLEEVE-NYLON-2.38IN ID X 18IN	
49	56508975	13	WRAP-SPIRAL-5/8IN DIA X 6IN	
50	56508977	3	WRAP-SPIRAL-5/8IN DIA X 16IN	
51	56508976	2	WRAP-SPIRAL-5/8IN DIA X 12IN	

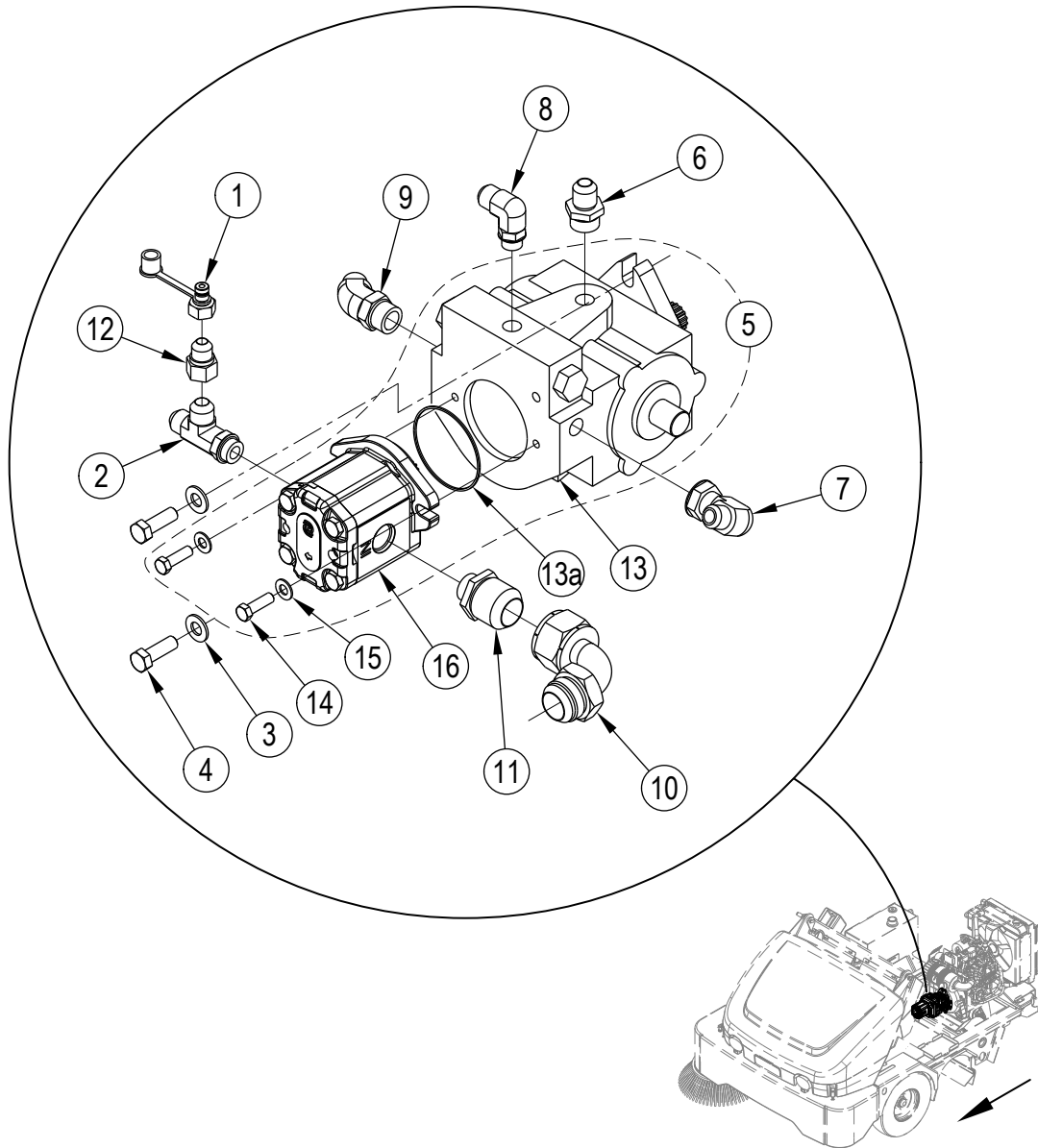
Part Notes:

[1] - GUARANTEE DATE EXPIRED

Pos.	Product no	QTY	Description	Notes
1	7-33-02184	1	HOSE-HYD ORS 4 STR ENDS 25.5	[1]
2	7-33-02188	1	HOSE-HYD ORS 4 STR ENDS 76	
3	7-33-02298	2	HOSE .812-16 ORS ENDS 48.00LG	[1]
4	7-33-02574	1	HOSE HYD 4 45-STR 9/16-18	
5	7-33-02575	1	HOSE-HYD-A1-1A1-1B1-1207	
6	7-33-02577	1	HOSE HYD 4 STR-STR 9/16-18	
7	7-33-02582	1	HOSE HYD 4 STR-45 9/16-18	
8	7-33-02603	1	HOSE-HYD-A1-1A1-1C1-1473	
9	7-33-02734	2	HOSE-HYD ORS-8 90 TO STR 68	
10	8-33-02173	1	HOSE-HYD ORS4 STR ENDS 80	
11	8-33-02178	1	HOSE-HYD ORS4 STR ENDS 15	
12	8-33-02189	1	HOSE .25ID IWB 66	
13	8-33-02216	1	HOSE - 4-4 O RING FACE 88 LG	
14	56016259	1	DECAL OIL FILL	
15	56107791	1	RESERVOIR ASSEMBLY	
16	56107792	1	DRIVE MOTOR ASSEMBLY	
17	56107793	1	SIDE BROOM MOTOR ASSEMBLY	
18	56107794	1	SIDE BROOM CYLINDER ASSY-RIGHT	
19	56394466	1	MOTOR-MAIN BROOM	
20	56107796	1	DUST CONTROL MOTOR ASSEMBLY	
21	56107797	1	MANIFOLD ASSEMBLY	
22	56107798	1	STEERING CYLINDER ASSEMBLY	
23	56107799	1	HOPPER DOOR CYLINDER ASSEMBLY	
24	56107800	1	HOPPER LIFT CYLINDER ASSEMBLY	
25	56107801	1	PUMP ASSEMBLY	
26	56107802	1	FILTER ASSEMBLY	
27	56119241	1	HOSE-HYD-D8-1C8-9M8-1219	
28	56119268	1	HOSE-HYD-C5-1A5-1A5-1194	
29	56119269	1	HOSE-HYD-C5-1A5-1A5-533	
30	56119277	2	HOSE-HYD-A1-1A1-1A1-2604	
31	56119284	1	HOSE-HYD-C5-1A5-1C5-1854	
32	56119285	1	HOSE-HYD-C5-1A5-1C5-1524	
33	56119287	2	HOSE-HYD-C5-1A5-1C5-1829	
34	56119294	1	HOSE-HYD-A1-1A1-1C1-2756	
35	56119298	1	HOSE-HYD-A1-1A1-1B1-1473	
36	56394022	1	HOSE-HYD-C5-1A5-1C5-686	
37	2-00-04920	2	FITTING-REDUCER IGSAE TO 12ORS	
38	8-60-05034	1	STEERING CONTROL UNIT	[1]
	7-70-00127	1	SEAL KIT	
42	56394318	11		
43	56394046	2	WRAP-SPIRAL-5/8 IN DIA X 9IN	
44	56508814	1	SLEEVE NYLON	
45	56462977	1	SLEEVE 24 IN. NYLON	
46	56507208	1	SLEEVE 12 IN. NYLON	
47	56508972	1	SLEEVE-NYLON-2.38IN ID X 42IN	
48	56508973	1	SLEEVE-NYLON-2.38IN ID X 18IN	
49	56508975	13	WRAP-SPIRAL-5/8IN DIA X 6IN	
50	56508977	3	WRAP-SPIRAL-5/8IN DIA X 16IN	
51	56508976	1	WRAP-SPIRAL-5/8IN DIA X 12IN	

Part Notes:

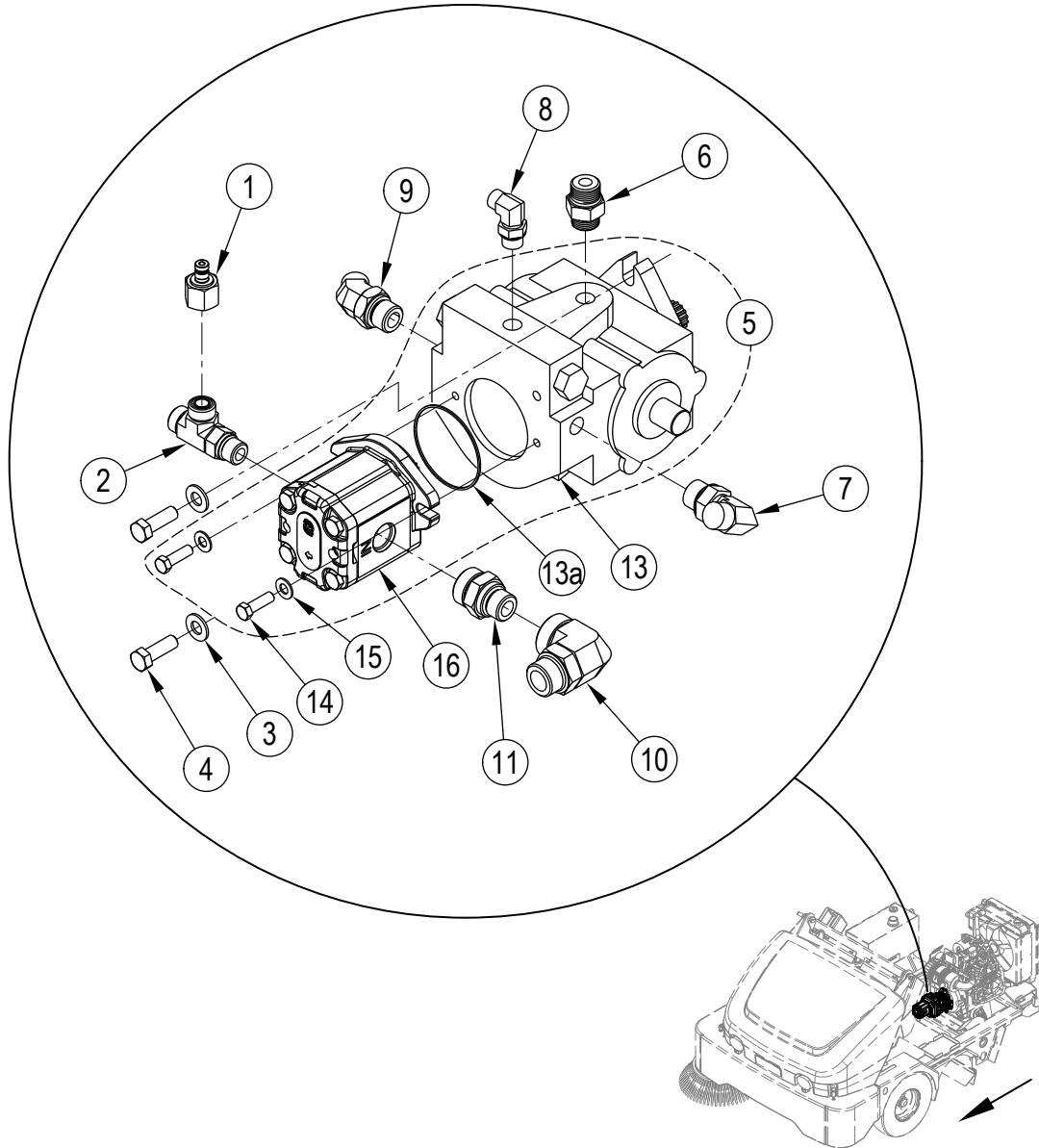
[1] - GUARANTEE DATE EXPIRED



Pos.	Product no	QTY	Description	Notes
	56507613	1	PUMP ASSEMBLY	
1	56418866	1	COUPLING 8 TEST PORT	
2	56900205	1	TEE RUN O/R -10 E00005	
3	56001879	2	WSH FLT SAE 1/2	
4	56001968	2	SCR HEX 1/2-13 X 1.50	
5	56507511	1	HYDROSTATIC/AUX PUMP ASSY	
6	56900017	1	CONNECTOR O/R-10-12 E00001	
7	56900116	1	ELBOW 90 O/R -10-12 E00003	
8	56900119	1	ELBOW90DEG O/R 10-8 E00003	
9	56900357	1	ELBOW 45 O-RING W/NUT	
10	56107662	1	TUBE ELBOW 90 DEG-20	
11	56900391	1	CONNECTOR O-RING	
12	56900466	1	REDUCER 10-8 E00015	
13	56497918	1	PUMP PISTON	[1]
13a	56488002	1	O-RING	
	56418825	1	SEAL KIT	
14	56001858	2	SCR HEX 3/8-16 X 1.25	
15	56002063	2	WSH FLT SAE 3/8	
16	56507069	1	PUMP GEAR	

Part Notes:

[1] - TSB-FC-2014-029, TSB-FC-2017-039

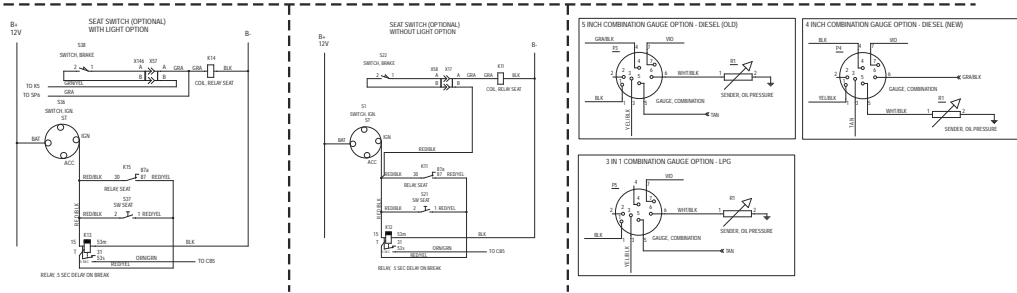
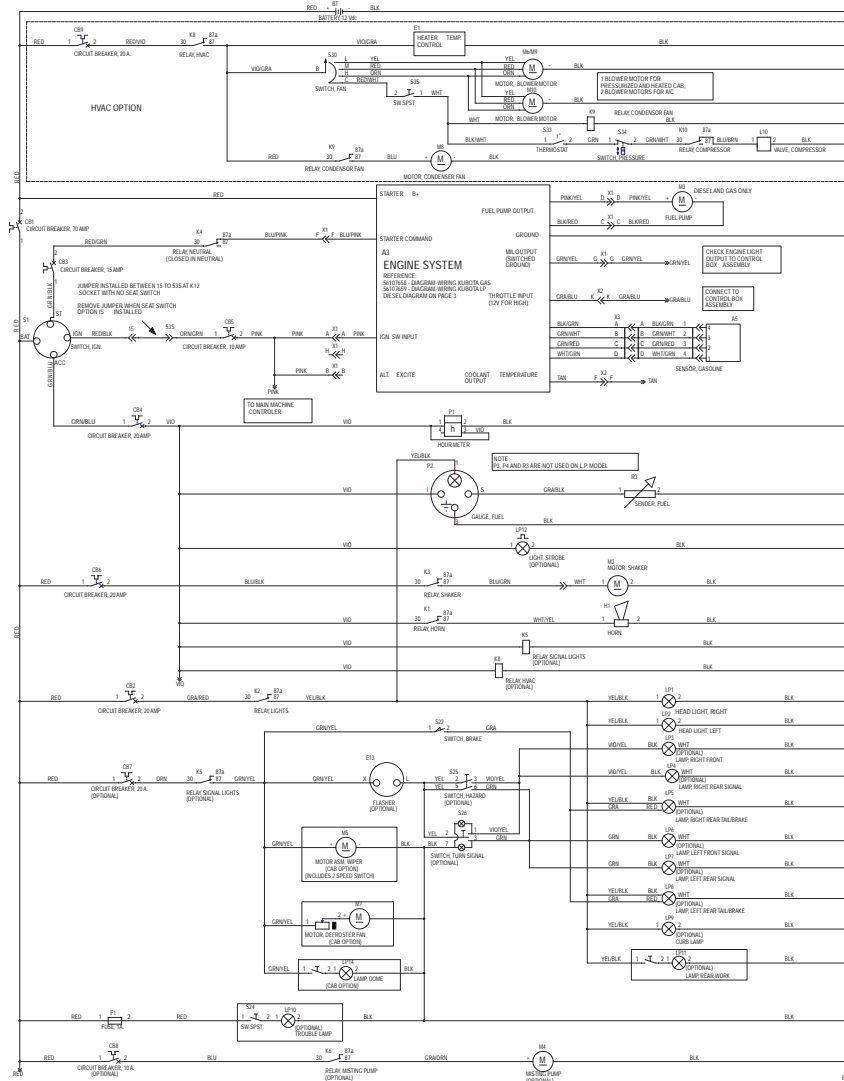


Hydraulic SYSTEM - PUMP ASSY - ORFS (APRIL 1 OR AFTER, 2018)

SW8000 165 D 4-CYL NIL

2018.10.24
2018.10.24

Pos.	Product no	QTY	Description	Notes
	56107801	1	PUMP ASSEMBLY	
1	56394095	1	FTG-NIPPLE-TEST PORT-10-FORFS	
2	56394025	1	FTG-RUN TEE-10MORFS-10MORB	
3	56001879	2	WSH FLT SAE 1/2	
4	56001968	2	SCR HEX 1/2-13 X 1.50	
5	56507511	1	HYDROSTATIC/AUX PUMP ASSY	
6	2-00-05730	1	FTG-12 SAE X 10 ORS STR	
7	2-00-04961	1	FTG-12 SAE X 10 ORS STR	
8	2-00-06030	1	FITTING HYD	
9	56394070	1	FTG-45-10MORFS-12MORB	
10	56394071	1	FTG-90-20MORFS-16MORB	
11	56394029	1	FTG-STR-16FORB-12MORB	
12			Intentionally Omitted	
13	56497918	1	PUMP PISTON	
13a	56488002	1	O-RING	
	56418825	1	SEAL KIT	
14	56001858	2	SCR HEX 3/8-16 X 1.25	
15	56002063	2	WSH FLT SAE 3/8	
16	56507069	1	PUMP GEAR	



Resource notes:

NOTE 1: Reference; 56382530 = Ladder Diagram & 56382531 = Wiring Diagram. **NOTE 2:** Part number is dependent on engine, see ENGINE REPLACEMENT PARTS of appropriate engine.

LADDER DIAGRAM-1

SW8000 165 D 4-CYL NIL

2019.05.07

2020.03.03

Pos.	Product no	QTY	Description	Notes
A3	56107647	1	ECU-KUBOTA LPG	
	56107664	1	ECU-KUBOTA PETROL	
A5	56107670	1	FUEL MANIFOLD	
BT	0875-008	1	BAT SAE 2 SHA 12V OR EQUIV	[1]
CB1	56454429	1	CIRCUIT BREAKER 70A	
CB2	56413822	1	CIRCUIT BREAKER 20 AMP	
CB3	56413407	1	CIRCUIT BREAKER 15 AMP	
CB4	56413822	1	CIRCUIT BREAKER 20 AMP	
CB5	56507644	1	CIRCUIT BREAKER 10 AMP	
CB6	56413822	1	CIRCUIT BREAKER 20 AMP	
CB7	56413822	1	CIRCUIT BREAKER 20 AMP	
CB8	56507644	1	CIRCUIT BREAKER 10 AMP	
CB9		1	Circuit Breaker, 40 Amp (for cab option)	
E1	56508776	1	VALVE HEATER CONTROL	
E13	56507887	1	FLASHER 12V 2 TERMINAL	
F1		1	Fuse, 1 Amp	
H1	56442054	1	HORN - 12 VDC	
K1	56418387	1	RELAY SPDT	
K2	56418387	1	RELAY SPDT	
K3	56107639	1	RELAY	
K4	56418387	1	RELAY SPDT	
K5	56418387	1	RELAY SPDT	
K6	56418387	1	RELAY SPDT	
K8	56418387	1	RELAY SPDT	
K9	56508897	1	RELAY CONDENSER FAN	
K10	56418387	1	RELAY SPDT	
L10	56508798	1	VALVE HYDRAULIC	
LP1	56507223	1	HEAD LIGHT ASSEMBLY	
LP2	56507223	1	HEAD LIGHT ASSEMBLY	
LP3	56507113	1	LIGHT AMBER ROUND TURN	
LP4	56507113	1	LIGHT AMBER ROUND TURN	
LP5	56507112	1	LIGHT RED ROUND STOP	
LP6	56507113	1	LIGHT AMBER ROUND TURN	
LP7	56507113	1	LIGHT AMBER ROUND TURN	
LP8	56507112	1	LIGHT RED ROUND STOP	
LP9	56507830	1	LAMP 12V	
LP10	56305627	1	TROUBLE LAMP	[2]
LP11	56507830	1	LAMP 12V	
LP12	56305223	1	BEACON WARNING	[3]
LP14	56508819	1	ASSY DOME LIGHT	
M2	56508664	1	MOTOR 12VDC	
M3		1	Pump, Fuel - Part number is dependent on engine, see "ENGINE REPLACEMENT PARTS" of appropriate engine	
M4	56507851	1	PUMP 24 VDC	
M5	56508636	1	WIPER MOTOR	
M6	0882-055	1	MOTOR	
M7	56508820	1	ASSY DASH FAN	
M8	56508896	1	FAN CONDENSER	
M9	56508898	1	FAN BLOWER	
M10	56508898	1	FAN BLOWER	
P1	56393718	1	HOURMETER	
P2	8-48-05032	1	GAUGE-FUEL	
P3	56304589	1	GAUGE 3 IN 1	
	56304569	1	GAUGE 4 IN 1	[4]
R1	56305619	1	SENDER PRESSURE	
R3	56478358	1	SENDER FUEL LEVEL RE437A	
S1	56418685	1	SWITCH STARTER	
	56497754	1	KEY SWITCH	
S22	56508191	1	SWITCH ASSEMBLY N.O.	

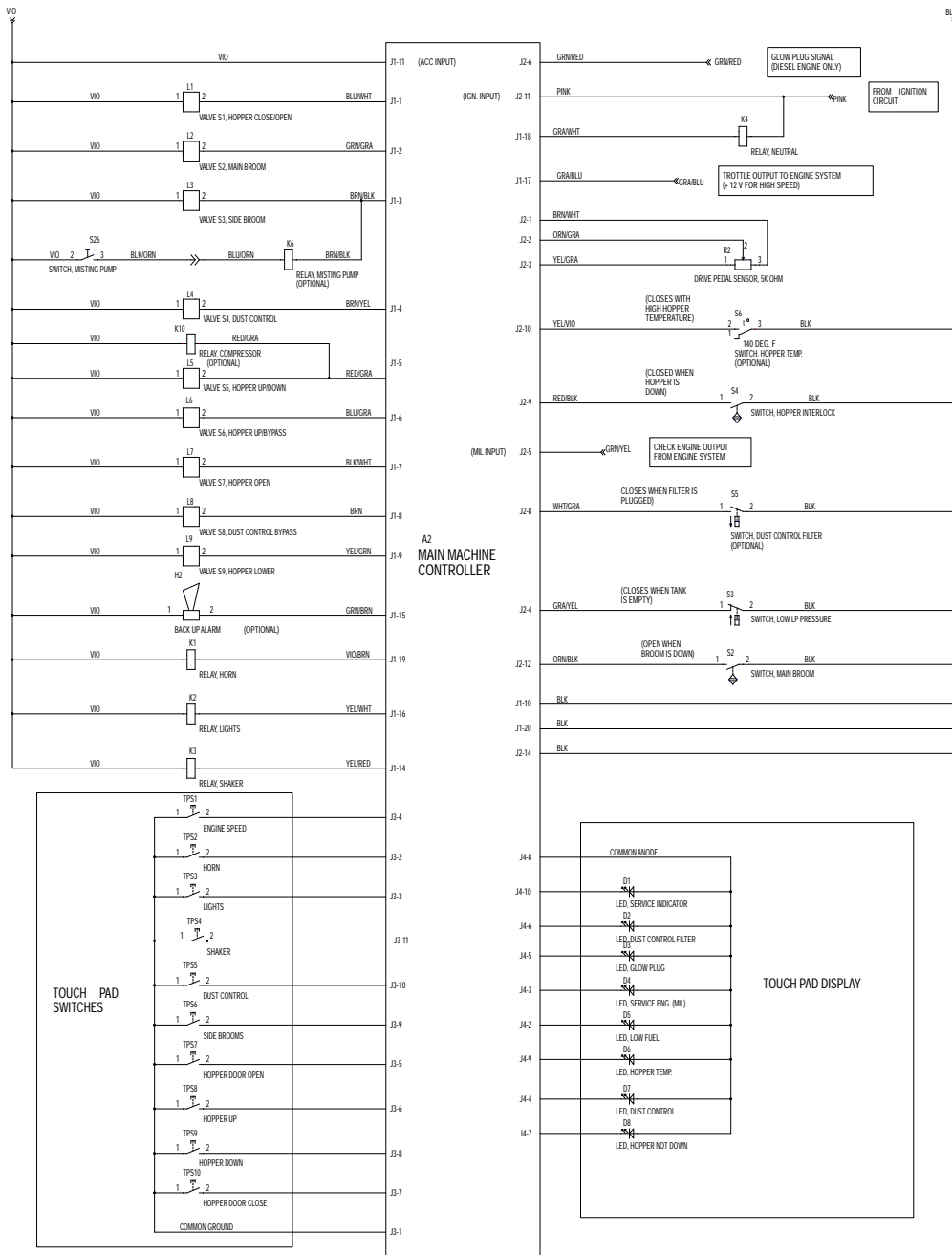
Pos.	Product no	QTY	Description	Notes
S24		1	Switch	
S25	56507889	1	SWITCH SPDT ROCKER	
S26	56507888	1	SWITCH SPDT ROCKER	
S30		1	Switch, Fan	
S33	56508899	1	SWITCH THERMOSTAT	
S34	56508871	1	SWITCH BINARY	
S35	56507889	1	SWITCH SPDT ROCKER	

Part Notes:

- [1] - EU CUSTOMERS USE 33019628
- [2] - NO LONGER AVAILABLE
- [3] - EXPIRED USE 56510893
- [4] - REPLACED TSB-FC-2019-020

TSB-FC-2019-020 Sweeper Gauge Replacement

DE TSB-FC-2019-020 Änderung der Maschinenanzeige bei Motoren



LADDER DIAGRAM-2

SW8000 165 D 4-CYL NIL

2019.05.07

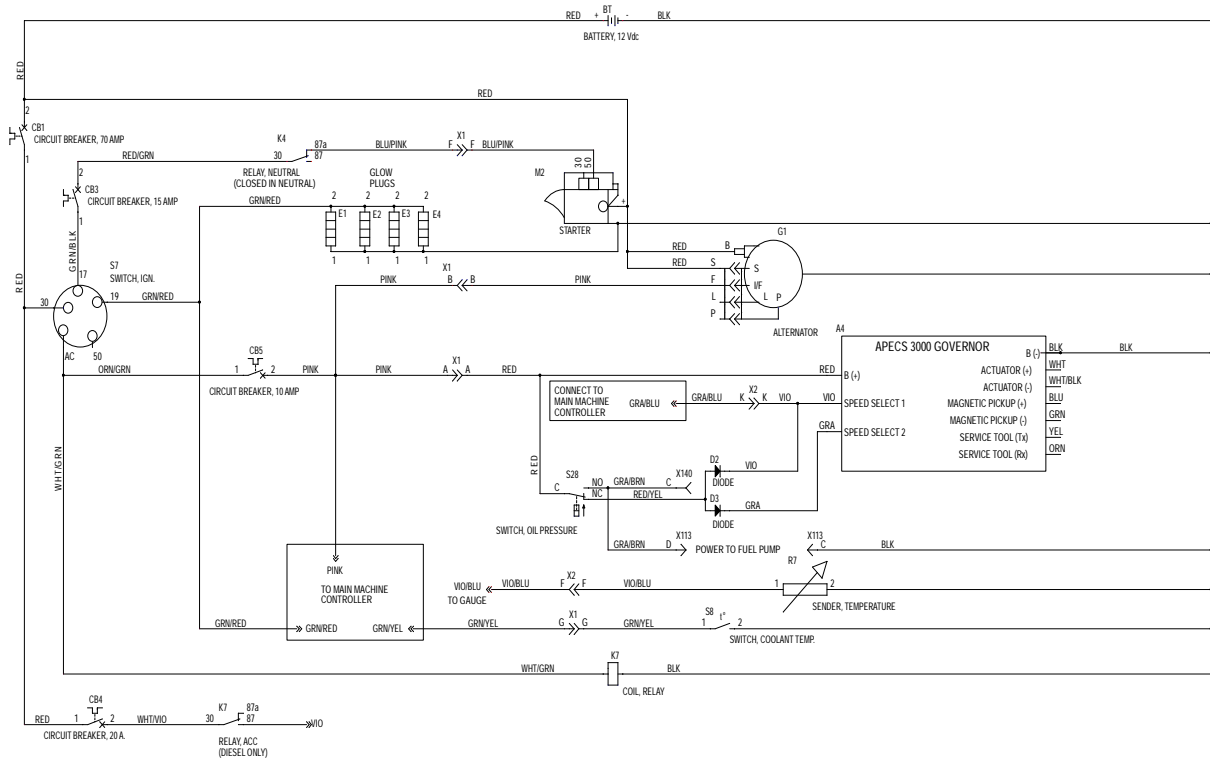
2020.03.03

Pos.	Product no	QTY	Description	Notes
A2	56107627	1	KIT-CONTROL BOX	
H2	56409232	1	BACK-UP ALARM	
K1	56418387	1	RELAY SPDT	
K2	56418387	1	RELAY SPDT	
K3	56107639	1	RELAY	
K4	56418387	1	RELAY SPDT	
K6	56418387	1	RELAY SPDT	
L1		1	Valve S1, Hopper Close/Open	
L2		1	Valve S2, Main Broom	
L3		1	Valve S3, Side Broom	
L4		1	Valve S4, Dust Control	
L5		1	Valve S5, Hopper Up/Down	
L6		1	Valve S6, Hopper Up/Bypass	
L7		1	Valve S7, Hopper Open	
L8		1	Valve S8, Dust Control Bypass	
L9		1	Valve S9, Hopper Lower	
R2	56305129	1	ROTARY SENSOR	
S2	56305053	1	SENSOR PROXIMITY	
S3	56418381	1	SWITCH N C PRESSURE	
S4	56305053	1	SENSOR PROXIMITY	
S5	56305518	1	SWITCH VACUUM	
S6	56418405	1	SWITCH TEMPERATURE	
S26		1	Switch, Misting Pump	
TPS1		1	Touch Pad Switch, Engine Speed	[1]
TPS2		1	Touch Pad Switch, Horn	[1]
TPS3		1	Touch Pad Switch, Lights	[1]
TPS4		1	Touch Pad Switch, Shaker	[1]
TPS5		1	Touch Pad Switch, Dust Control	[1]
TPS6		1	Touch Pad Switch, Side Brooms	[1]
TPS7		1	Touch Pad Switch, Hopper Door Open	[1]
TPS8		1	Touch Pad Switch, Hopper Up	[1]
TPS9		1	Touch Pad Switch, Hopper Down	[1]
TPS10		1	Touch Pad Switch, Hopper Door Close	[1]

Part Notes:

- [1] - Part of Touch Pad 56107601 for petrol and LPG or 56107603 for diesel

KUBOTA DIESEL ENGINE SYSTEM



Resource notes:

NOTE 1: Reference; 56382530 = Ladder Diagram & 56382531 = Wiring Diagram.

LADDER DIAGRAM-3

SW8000 165 D 4-CYL NIL

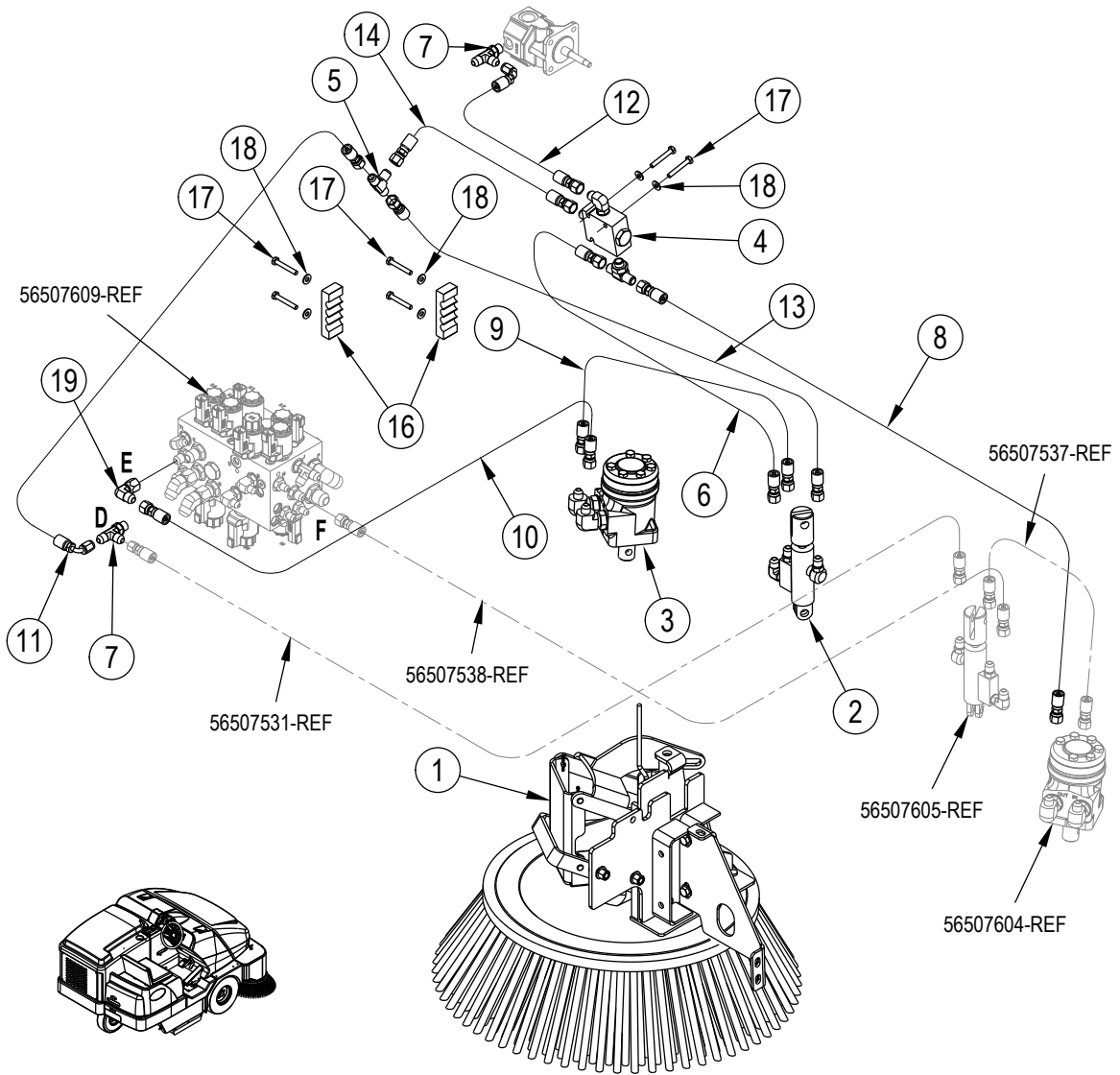
2019.05.07

2020.03.03

Pos.	Product no	QTY	Description	Notes
A4	56508400	1	CONTROLLER-THROTTLE	
BT	0875-008	1	BAT SAE 2 SHA 12V OR EQUIV	[1]
CB1	56454429	1	CIRCUIT BREAKER 70A	
CB3	56413407	1	CIRCUIT BREAKER 15 AMP	
CB4	56413822	1	CIRCUIT BREAKER 20 AMP	
CB5	56507644	1	CIRCUIT BREAKER 10 AMP	
D2		1	Diode	
D3		1	Diode	
E1		1	Glow Plug	
E2		1	Glow Plug	
E3		1	Glow Plug	
E4		1	Glow Plug	
G1	56110738	1	ALTERNATOR 105 AMP	
K4	56418387	1	RELAY SPDT	
K7	56418387	1	RELAY SPDT	
M2	56419089	1	STARTER MOTOR	
R7	56305873	1	SENDER TEMPERATURE	
S7	56497754	1	KEY SWITCH	
S8	56419091	1	SWITCH TEMPERATURE	
S28	N/A	1	Battery	

Part Notes:

[1] - EU CUSTOMERS USE 33019628

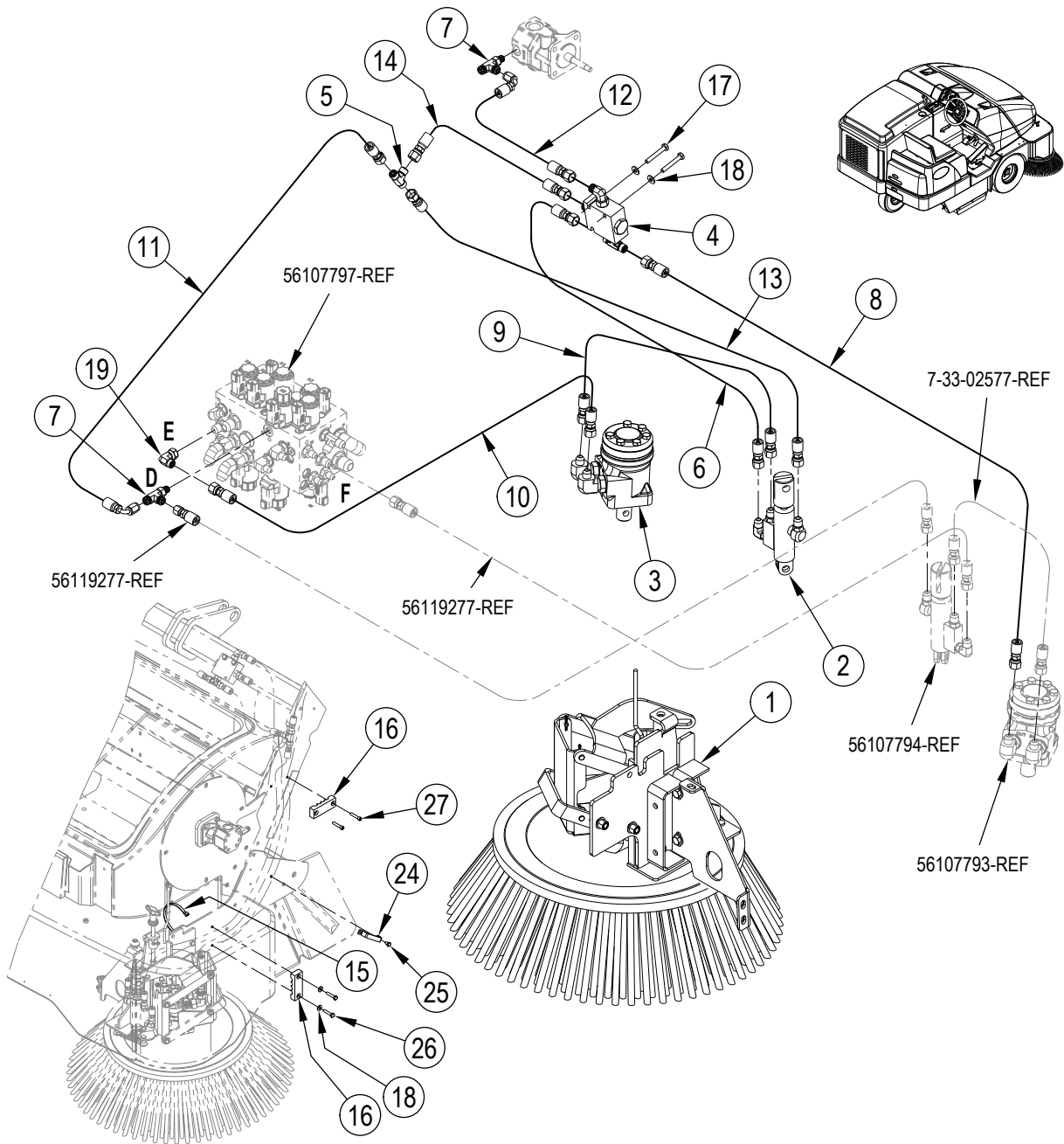


Left Hand Side Broom Option-1 - 37 DEGREE FLARE (BEFORE APRIL 1, 2018)

SW8000 165 D 4-CYL NIL

2018.10.24

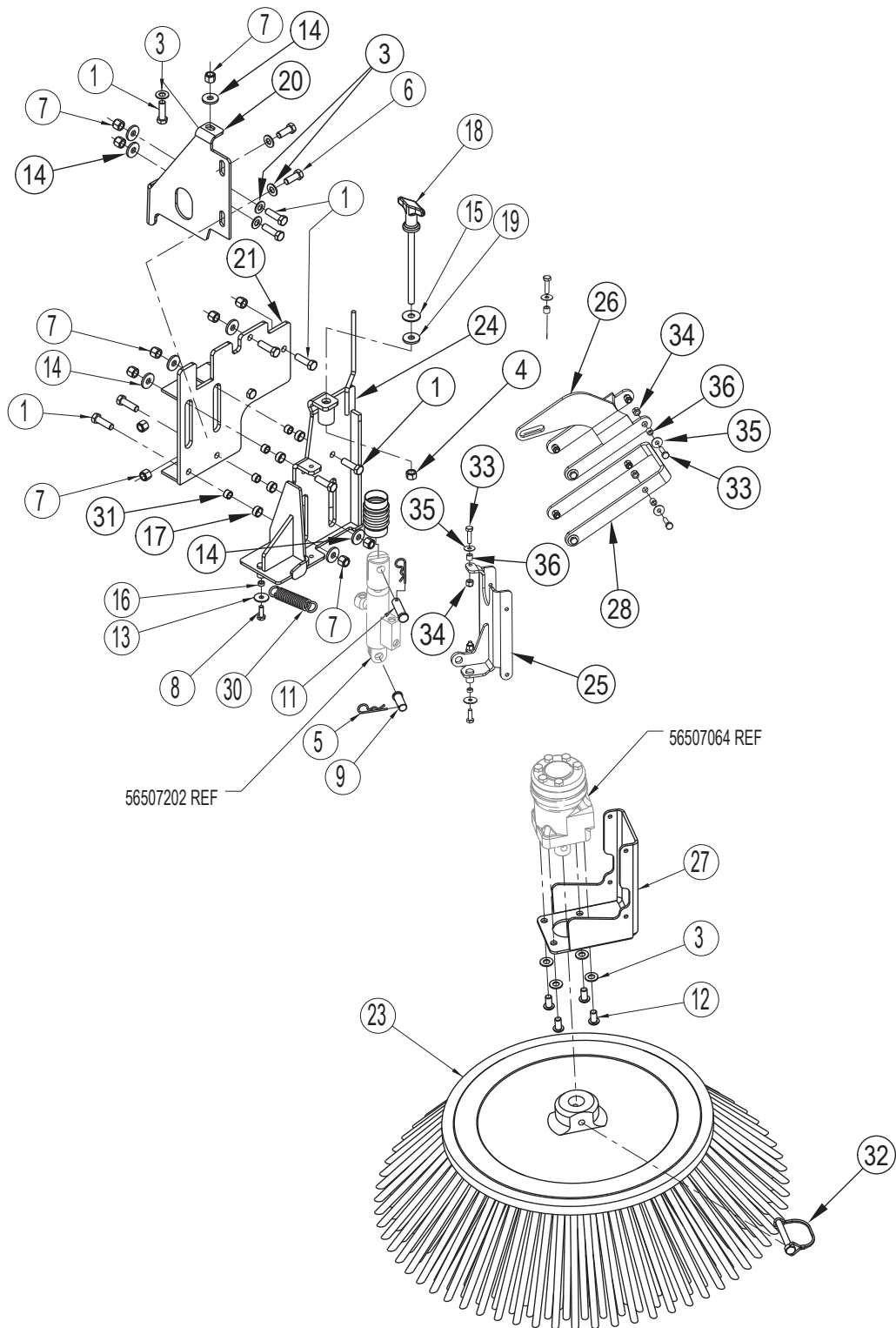
Pos.	Product no	QTY	Description	Notes
1	56507026	1	LEFT HAND SIDE BROOM OPTION	
			See Left Hand Side Broom Option-2	
2	56507367	1	LEFT SIDE BROOM CYLINDER ASSY	
	56507202	1	CYLINDER SIDE BROOM LEFT	
	56900286	1	ELBOW 90 DEG E00003	
	56900370	2	CONNECTOR O-RING	
3	56507604	1	SIDE BROOM MOTOR ASSEMBLY	
	56107828	1	MOTOR-SIDE BROOM	
	56507619	1	SEAL KIT FOR SIDE BROOM MOTOR	
	56900113	2	ELBOW 90 DEG.O/R	
4	56109781	1	VALVE ASSY	
	56109780	1	VALVE PO CHECK	
	56900003	1	CONNECTOR O/R -6 E00001	
	56900103	1	ELBOW 90 DEG O/R -6 E00003	
	56900353	1	TEE BRANCH O-RING E00006	
5	56900443	1	TEE E00014	
6	56508305	1	HOSE HYDRAULIC	
7	56900201	2	TEE RUN O/R -4 E00005	
8	56507356	1	HOSE HYDRAULIC	
9	56507537	1	HOSE HYDRAULIC	
10	56507538	1	HOSE HYDRAULIC	
11	56507788	1	HOSE HYDRAULIC	
12	56508308	1	HOSE HYDRAULIC	
13	56508306	1	HOSE HYDRAULIC	
14	56508307	1	HOSE HYDRAULIC	
15	56477613	3	CABLE TIE E00549 RE409S+	
16	56507922	1	CLAMP-HOSE-QUAD-13MM	
17	56001967	6	SCR HEX 1/4-20 X 1.75	
18	56002098	6	H FLT SAE 1/4	
19	56900303	1	ELBOW 90D W/NUT 6C6X-S E00007	
			This factory installed option is obsolete and no longer available. Parts can be ordered individually For 37° Flare machines shipped before April 1, 2018. Refer to the ORFS Systems for machines shipped after April 1, 2018. If unsure of the ship date, please use the serial number to look it up.	



Pos.	Product no	QTY	Description	Notes
	56107803	1	LEFT HAND SIDE BROOM OPTION	[1]
1	56507026	1	LEFT HAND SIDE BROOM OPTION	[2]
2	56107804	1	SIDE BROOM CYLINDER ASSY-LEFT	
	56507202	1	CYLINDER SIDE BROOM LEFT	
	2-00-04892	1	HYD. ADAPTER-SAE TO OR 90 EL	
	2-00-04895	2	STRAIGHT THREAD FITTING	
3	56107793	1	SIDE BROOM MOTOR ASSEMBLY	
	56107828	1	MOTOR-SIDE BROOM	
	56507619	1	SEAL KIT FOR SIDE BROOM MOTOR	
	56394072	2	FTG-STR-8FSWORFS-4MORFS	
	2-00-04921	2	FTG-90-8MORFS-10MORB	
4	56107805	1	VALVE ASSY	
	56109780	1	VALVE PO CHECK	
	2-00-04918	1	FITTING-STRAIGHT SAE6 TO ORS4	
	2-00-04926	1	FITTING-90 SAE6 TO ORS4	
	56394032	1	FTG-BRANCH TEE-4MORFS-6MORB	
5	56394034	1	FTG-UNION TEE-4MORFS	
6	8-33-02189	1	HOSE .25ID IWB 66	
7	2-00-04927	2	FITTING-RUN TEE SAE4 TO ORS4	
8	7-33-02188	1	HOSE-HYD ORS 4 STR ENDS 76	
9	7-33-02577	1	HOSE HYD 4 STR-STR 9/16-18	
10	56119277	1	HOSE-HYD-A1-1A1-1A1-2604	
11	7-33-02603	1	HOSE-HYD-A1-1A1-1C1-1473	
12	7-33-02189	1	HOSE-HYD ORS 4 90 TO STR 26	
13	8-33-02184	1	HOSE-HYD ORS4 STR ENDS 50	
14	56119283	1	HOSE-HYD-A1-1A1-1A1-279	
15	56477613	3	CABLE TIE E00549 RE409S+	
16	56507922	1	CLAMP-HOSE-QUAD-13MM	
17	56001967	2	SCR HEX 1/4-20 X 1.75	
18	56002098	4	H FLT SAE 1/4	
19	56394035	1	FTG-90-4MORFS-4FSWORFS	
20	56508975	2	WRAP-SPIRAL-5/8IN DIA X 6IN	
21	56508977	3	WRAP-SPIRAL-5/8IN DIA X 16IN	
22	56394046	2	WRAP-SPIRAL-5/8 IN DIA X 9IN	
23	56507794	1	CLIP CONDUIT	
24	2-00-04603	1	CLAMPDOUBLE 1/2 OD	
25	56002933	1	SCR HEX LOC 1/4-20 X .38	
26	56001878	2	SCR HEX 1/4-20 X 1.25	
27	56001961	2	SCR SOC HD 1/4-20 X 1.25	[3]

Part Notes:

- [1] - (items 1-23) includes all components for this option
- [2] - excludes cylinder, hoses fittings
- [3] - GUARANTEE DATE EXPIRED



LEFT HAND SIDE BROOM OPTION-2

SW8000 165 D 4-CYL NIL

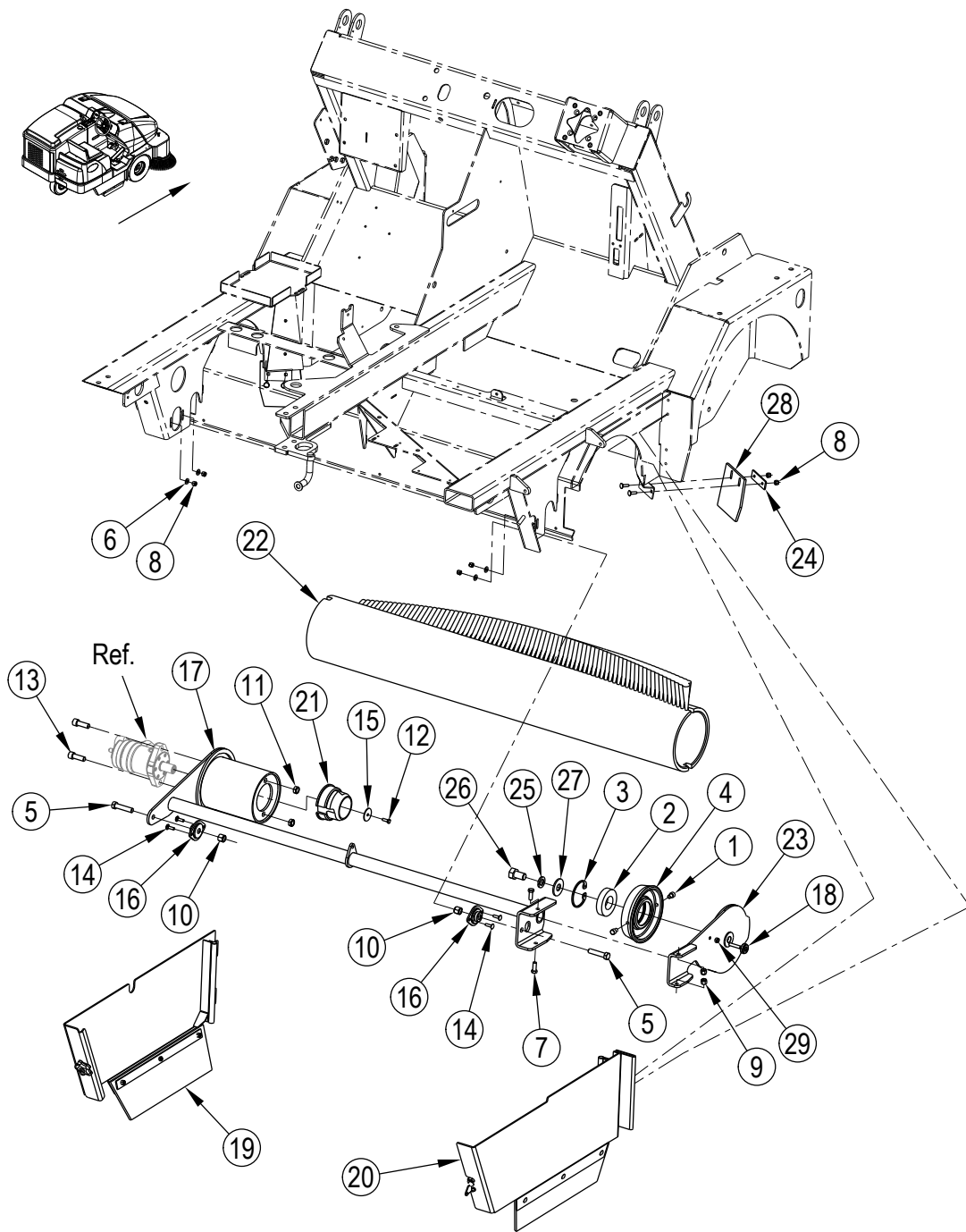
2018.02.19

2020.01.24

Pos.	Product no	QTY	Description	Notes
1	56001858	9	SCR HEX 3/8-16 X 1.25	
2	56003813	10	PIN-BOW-TIE COT 1/4-3/8X.072	
3	56002063	9	WSH FLT SAE 3/8	
4	56002123	1	NUT HEX MACHINE 3/8-16	
5	56003120	2	PIN COT HAIR.093XDIA .25-.50	
6	56002663	2	SCR HEX 3/8-16 X 1.00	
7	56002769	11	NUT HEX NYL LOC 3/8-16	
8	56002948	2	SCR HEX LOC-1/4-20 X 0.75	
9	56003514	1	PIN CLEVIS .500 X 1.25	
10	56003727	10	PIN CLEVIS .250 X .625	
11	56003728	1	PIN CLEVIS .500 X 1.75	
12	56003729	4	SCR SOC HD BUT LOC 3/8-16X.75	
13	56009002	2	WASHER FLAT .266X.906X.060	
14	56009107	7	WSH FLT SS .378/.373X1.00X.075	
15	56151068	1	WSH FLT FIBRE .406G31E	
16	56163872	2	BUSHING .25X.37X.16PM6H	
17	56365030	4	BUSHING CA334D	
18	56413576	1	KNOB	
19	56413599	1	WASHER RUBBER	
20	56507122	1	BRACKET	
21	56507150	1	BRACKET	
23	56508498	1	SIDE BROOM POLY 41 DEGREES	
24	56508963	1	BRKT WELDT-LH SIDE BROOM MOUNT	[1]
24	56508969	1	BRACKET KIT-SIDE BROOM-LH	[2]
25	56507628	1	SIDE BROOM PIVOT BRACKET	
26	56508967	1	LINKAGE KIT-SIDE BROOM-LH	[2]
26	56508960	1	LINKAGE WELDMENT-LH SIDE BROOM	[1]
26	56507629	1	SIDE BROOM LINKAGE WELDMENT	[3]
27	56507630	1	SIDE BROOM MOTOR MOUNT	
28	56508957	1	SIDE BROOM LINKAGE	[1]
28	56508967	1	LINKAGE KIT-SIDE BROOM-LH	[2]
29	56507634	1	SIDE BROOM CYCLINDER BELLOWS	
30	56507707	1	SPRING SIDE BROOM	
31	56508363	4	BUSHING .377 X .49 X .30	
32	56508392	1	PIN T-LOCK	
33	56002093	10	SCR HEX 1/4-20 X 1.00	
34	56002708	10	NUT HEX NYL LOC 1/4-20	
35	56009025	10	WSH FLT .266X.750X.036	
36	56107786	10	BUSHING-.256X.393X.340	

Part Notes:

- [1] - After S/N 1000063579
TSB-FC-2016-280 SW8000 Side broom linkage improvements
- [2] - Before S/N 1000063579 (Kit required)
TSB-FC-2016-280 SW8000 Side broom linkage improvements
- [3] - SEE TSB-FC-2016-280
TSB-FC-2016-280 SW8000 Side broom linkage improvements



MAIN BROOM ASSY-1

SW8000 165 D 4-CYL NIL

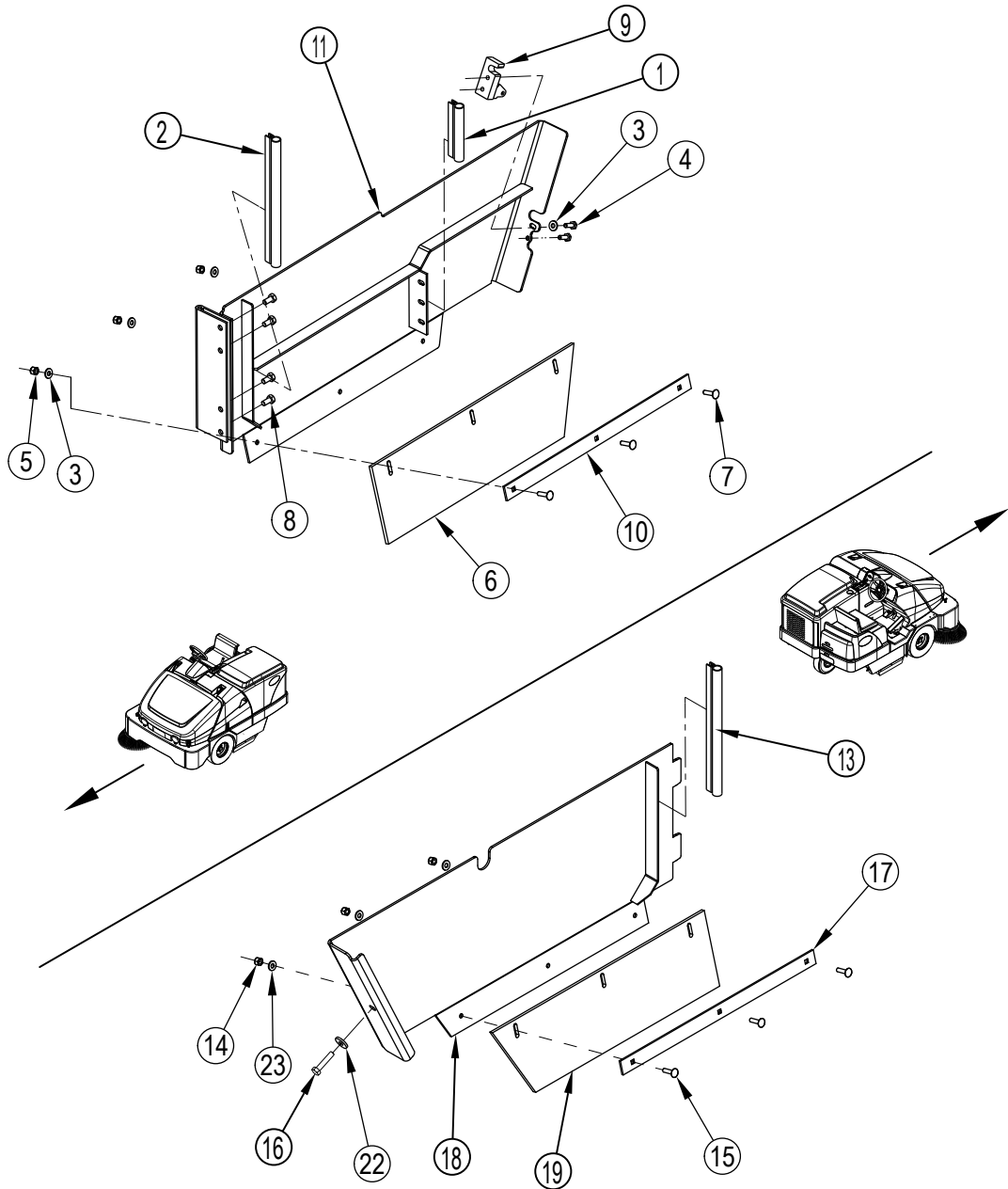
2018.10.12

2018.10.25

Pos.	Product no	QTY	Description	Notes
1	2-00-04886	2	SCREW-HSHC 3/8-16 X 1/2 LONG	
2	2-00-04889	1	BEARING-MAIN BROOM IDLER	
3	2-00-04890	1	RETAINING RING-BROOM IDLER	
4	8-33-09090	1	IDLER-MAIN BROOM MACHINED	
5	56003929	2	SCR-HEX SS 1/2-13 X 2.25	
6	56002859	4	WSH FLT SAE SS 1/4	
7	56002852	2	NUT HEX NYL LOC-THIN SS 3/8-16	
8	56002491	8	NUT HEX NYL LOC SS 1/4-20	
9	56413211	2	BEARING FLANGE .625X.500X.250	
10	56002846	2	NUT HEX NYL LOC SS 1/2-13	
11	56002854	2	NUT HEX NYL LOC-THIN SS 1/2-13	
12	56003221	1	SCR HEX LOC SS 1/4-20 X .75	
13	56003930	2	SCR-SOC HD SS 1/2-13 X 1.50	
14	56003828	8	SCR- CARRIAGE SS 1/4-20 X 1.00	
15	56003931	1	WSH-FENDER SS .281X1.50X.074	
16	56507230	2	BEARING	
17		1	Broom Hanger Weldment	[1]
18	56382765	1	LEVELER 5/16-18	
19	56507396	1	LEFT BROOM DOOR ASSY	
20	56507397	1	RIGHT BROOM DOOR ASSY	
21		1	Hub	[1]
22	56507424	1	MAIN BROOM PROEX-WIRE	
23	56107815	1	BROOM BRACKET KIT	[2]
24	56508248	2	STRAP FRONT TIRE FLAP	
25	2-00-00522	1	LK WASH-HEL. ZN PL STEEL	
26	56003932	1	SCR-HEX SS 3/4-10 X 1.25	
27	8-75-01157	1	THRUST WASHER	
28	56508247	2	FLAP FRONT TIRE TRAIL	
29	56002851	1	NUT HEX NYL LOC-THIN SS5/16-18	
30	56003673	2	SCR SOC HD SHD .50X.38X3/8-16	
			SERVICE KITS	
K1	56107811	1	BROOM HANGER/HUB KIT	

Part Notes:

- [1] - K1
- [2] - For service/replacement of the Broom Bracket Weldment 56107689, order the Broom Bracket Service Kit 56107815.



Pos.	Product no	QTY	Description	Notes
	56507397	1	RIGHT BROOM DOOR ASSY	[1]
1	56508377	1	GASKET	
2	56508376	1	GASKET	
3	56002859	4	WSH FLT SAE SS 1/4	
4	56003221	2	SCR HEX LOC SS 1/4-20 X .75	
5	56002491	3	NUT HEX NYL LOC SS 1/4-20	
6	56507417	1	FLAP DOOR	
7	56003916	3	SCR-CARRIAGE SS 1/4-20 X .88	[2]
8	56002937	4	SCR HEX HD LOC SS 5/16-18X .62	
9	56413802	1	LATCH RH	
10	56507118	1	STRAP DOOR FLAP	
11	56107692	1	DOOR-BROOM RT WELDT	
	56507396	1	LEFT BROOM DOOR ASSY	[3]
13	56508376	1	GASKET	
14	56002491	3	NUT HEX NYL LOC SS 1/4-20	[4]
15	56003916	3	SCR-CARRIAGE SS 1/4-20 X .88	[5]
16	56003455	1	HEX HD SS 5/16-18 X 1.5	
17	56507118	1	STRAP DOOR FLAP	
18	56107691	1	DOOR-BROOM LT WELDT	
19	56507417	1	FLAP DOOR	
22	56009382	1	WSH-FLT SS .344 X 1.000 X .109	
23	56002859	1	WSH FLT SAE SS 1/4	

Part Notes:

- [1] - (items 1-11)
- [2] - TSB-FC-2014-015 Hydraulic Fitting Leaks on SW8000
- [3] - (items 13-19)
- [4] - TSB-FC-2017-030 SW8000 Main broom hydraulic adapter leaking
DE TSB-FC-2017-030 SW8000 Anschlußverschraubungen am Hauptkehrwalzenmotor undicht
- [5] - TSB-FC-2014-015 Hydraulic Fitting Leaks on SW8000

TSB-FC-2017-030 SW8000 Main broom hydraulic adapter leaking
DE TSB-FC-2017-030 SW8000 Anschlußverschraubungen am Hauptkehrwalzenmotor undicht

Resource notes:

NOTE 1: Replacement parts for the kits listed above can be found on each kit's associated instruction sheet.

NOTE 2: Consists of 56508364, 56508365 56508720.

NOTE 3: Factory installed kit only for diesel cab models.

NOTE 4: Factory installed kit only for gasoline/petrol and LPG cab models.

OPTIONAL KITS & ACCESSORIES

SW8000 165 D 4-CYL NIL

2017.11.02

2020.01.24

Pos.	Product no	QTY	Description	Notes
			Options	
	56507184	1	LEFT HAND SIDE BROOM OPTION	[1]
	56507228	1	TILT STEERING OPTION	[1]
	56507025	1	ASSY HEATER-PRESSURIZER	[2]
	56507021	1	ASSY HEATER-PRESSR AND AC	[3]
	56107780	1	ASSY HEATER-PRESSR AND AC	[3]
	56107781	1	ASSY HEATER-PRESSURIZER	[3]
			Cab Model Accessories	
	56385015	1	BRK SIGNL LIGHT/BUMPR KIT-CAB	[4]
	56510605	1	FIRE EXTINGUISHER KIT	[5]
	56508826	1	RAISED INTAKE FILTER CAB	[5]
	56508663	1	MIRROR KIT FOR CAB AND OHG	[6]
			Accessories	
	56507030	1	LITTER VAC KIT	[5]
	56507029	1	HOPPER TEMP SENSOR KIT	[5]
	56507036	1	PLUGGED FILTER SWITCH KIT	[5]
	56394280	1		[5]
	56507033	1	RAISED INTAKE FILTER NO OHG	[5]
	56507037	1	FOAM FILLED TIRE KIT	
	56508873	1	SOLID TIRE KIT	
	56507023	1	BACK UP ALARM KIT	
	56507024	1	BRAKE/TURN SIGNAL LIGHT KIT	[7]
	56507034	1	WORK LIGHT KIT	[5]
	56507038	1	AMBER STROBE NO OHG	
	56507039	1	AMBER STROBE FOR OHG	[5]
	56508825	1	AMBER STROBE CAB	
	56507394	1	OVERHEAD GUARD KIT	[5]
	56507040	1	SUSPENSION SEAT KIT	[5]
	56383455	1	SEAT BELT KIT- STANDARD SEAT	[5]
	56383885	1	KUBOTA DIESEL GAUGE KIT-BSPP	[8]
	56508722	1	KUBOTA DIESEL GUAGE KIT	[9]
	56107674	1	KUBOTA GASOLINE GAUGE KIT-4CYL	[5]
	56107673	1	KUBOTA LPG GAUGE KIT-4 CYL	[5]
	56507850	1	MIST SPRAY KIT	[5]
	56508364	1	RIGHT SIDE BROOM GUARD KIT	[5]
	56508365	1	LEFT SIDE BROOM GUARD KIT	[5]
	56385008	1	BRAKE SIGNAL LIGHT/BUMPER KIT	[5]
	56508741	1	BROOM GUARD/REAR BUMPER KIT	[10]
	56107612	1	FRONT BUMPER KIT	[5]
	8-24-04139-1	1	FLTR PANEL ULTRA-WEB CELLULOSE	
	56382789	1	FILTER PANEL POLY HIGH FLOW	
	56508433	1	FLOOR MAT KIT	
	56508889	1	HOPPER BOTTOM PLATE KIT	
	56507710	1	POCKET FILTER ASSEMBLY	[6]
	56507740	1	POCKET FILTER WATER RESISTANT	[11]
	56507588	1	POCKET FILTER	[12]
	56044637	1	LITERATURE PACK	
	56044638	1	LITERATURE PACK	
	56504516	1	KIT-HYDRAULIC TEST	
	56107680	1	KIT-SIDE BROOM SPEED CONTROL	[1]
	56107638	1	BROOM CHEVRON MAIN-PROPE	
			Special Tools	
	56107764	1	CD-KUBOTA ENGINE SOFTWARE	
			Main Brooms	
	56507424	1	MAIN BROOM PROEX-WIRE	
	56507340	1	MAIN BROOM PROEX-WIRE CHEVRON	
	56507342	1	MAIN BROOM PROEX-WIRE-12 ROW	
	56507345	1	MAIN BROOM NYLON	
	56507346	1	MAIN BROOM PROEX	

Pos.	Product no	QTY	Description	Notes
	56507344	1	MAIN BROOM POLYPRO-WIRE-12 ROW	
	56507343	1	MAIN BROOM POLYPROPYLENE	
	56107638	1	BROOM CHEVRON MAIN-PROPE	
			Side Brooms	
	56507350	1	SIDE BROOM POLYPROPYLENE	
	56507351	1	SIDE BROOM NYLON	
	56507352	1	SIDE BROOM FLAT WIRE	
	56508498	1	SIDE BROOM POLY 41 DEGREES	
	56508499	1	SIDE BROOM NYLON 41 DEGREES	

Part Notes:

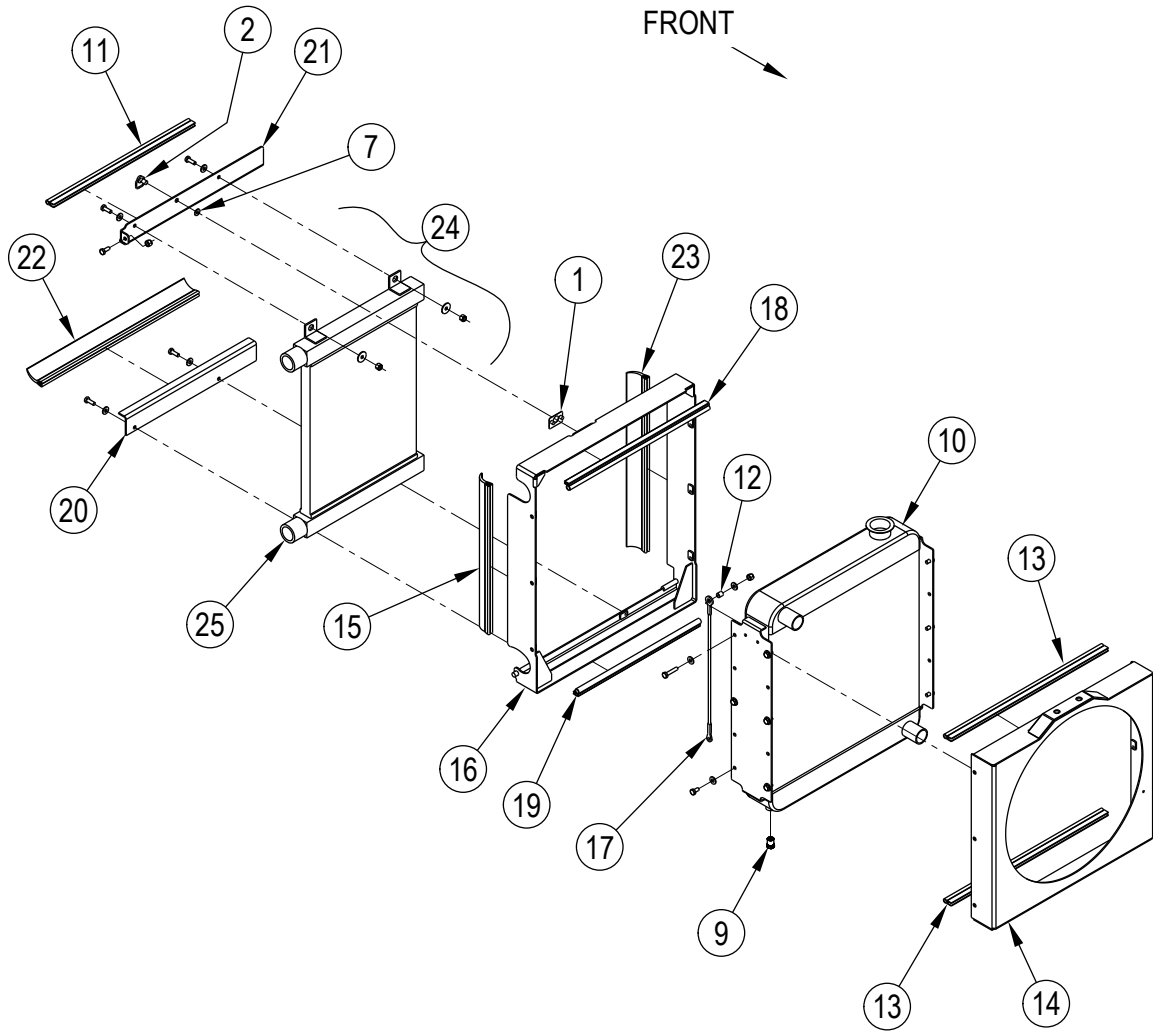
- [1] - MULTPL REPL SEE CUST SRVC
- [2] - FLOORCARE NEWSLETTER 3
Factory installed kit only for diesel cab models.
- [3] - FLOORCARE NEWSLETTER 3
- [4] - Replacement parts for the kits listed above can be found on each kit's associated instruction shee
TSB-FC-2017-045 SW8000 Brake signal light kit replacement
- [5] - Replacement parts for the kits listed above can be found on each kit's associated instruction shee
- [6] - COMPLEXITY REDUCTION
- [7] - SEE TSB-FC-2017-045
Replacement parts for the kits listed above can be found on each kit's associated instruction shee
- [8] - NOTE 1: Replacement parts for the kits listed above can be found on each kit's associated instruction sheet.

NOTE 5: All Diesel machines built after serial number 1000053695 needing to replace the Temperature Sender 56383884 or a dealer installed Diesel Gauge Kit, use Diesel Gauge

Kit – BSPP 56383885. All Diesel machines getting a fi rst time installation of a Diesel Gauge Kit regardless of the serial number, use Diesel Gauge Kit – BSPP 56383885.
- [9] - NOTE 1: Replacement parts for the kits listed above can be found on each kit's associated instruction sheet.

NOTE 6: All Diesel machines built before serial number 1000053696 with factory installed temperature gauge use Diesel Gauge Kit 56508722 or Temperature Sender 56305873.

All Diesel machines with dealer installed Diesel Gauge Kit 56508722, use Diesel Gauge Kit 56508722 or Temp Sender 56305873.
- [10] - MULTPL REPL SEE CUST SRVC
Kits 56508812 (Broom Guard / Rear Bumper – Cab) and 56508741 (Broom Guard / Rear Bumper) are no longer available.
- [11] - EXPIRED ON 10/5/2018
- [12] - PRUNED ACCESSORY



RADIATOR ASSY

SW8000 165 D 4-CYL NIL

2018.10.12

2018.10.25

Pos.	Product no	QTY	Description	Notes
00		1	Radiator Assembly (items 1-24)	[1]
1	7-23-03108	1	CLIP U TYPE	
2	7-23-03113	1	FASTENER-QTR. TURN BJR5-50	
7	7-23-03106	1	WASHER GP5B	
9	56740136	1	PLUG BRASS E00040	
10	56107665	1	RADIATOR-6 FIN	
10	56305638	1	SMALL RADIATOR CAP 13 PSI	[2]
10	56456431	1	CAP RADIATOR	[3]
11	56508435	1	GASKET	
12	56321532	1	BUSHING .25X.37X.40HC42C	
13	56418955	2	GASKET	
14	56508194	1	SHROUD RADIATOR	
15	56508315	1	GASKET RADIATOR	
16	56508240	1	SHROUD COOLER WELDT	
17	56107644	1	CABLE ASSY	
18	56508309	1	TRIM-SEAL	
19	56508310	1	TRIM-SEAL	
20	56508311	1	BRACKET	
21	56508312	1	BRACKET	
22	56508313	1	GASKET RADIATOR	
23	56508314	1	GASKET RADIATOR	
24	56507608	1	OIL COOLER ASSEMBLY	[4]
25	56463678	1	COOLER OIL	

Part Notes:

- [1] - Radiator Assembly (items 1-24)
- [2] - Optional, Not Included
- [3] - Not Shown
- [4] - (items 25-29)

Resource notes:

NOTE 1: All Diesel machines built after serial number 1000053695 with factory installed temperature gauge.

NOTE 2: All Diesel machines built before serial number 1000053696 with factory installed temperature gauge.

RECOMMENDED SPARE PART

SW8000 165 D 4-CYL NIL

2017.11.02

2020.03.04

Pos.	Product no	QTY	Description	Notes
			Normal Wear	
	56507998		SEAL	[1]
	56504545		SEAL-CRANK -OIL-FRONT	[2]
	56504546		SEAL-CRANK -OIL-REAR	[2]
	56508325		SEAL DOOR HINGE	
	56107729		CLAMP DOOR SEAL	
	56507189		SEAL AIR EXHAUST	
	56507219		SEAL HOPPER COVER 4 PARTS	
	8-85-06021		TIRE-PNEUMATIC-5 X 8	
	56508943		TIRE SOLID 5 X 8 X 3	
	56508372		FLAP DUST	
	56508373		FLAP DUST	
	56508387		FLAP DUST	
	8-70-00086		FLAP-PNEUMATIC TIRE-6 X 9	[3]
	56508389		FLAP HOPPER SIDE	
	56508247		FLAP FRONT TIRE TRAIL	
	56507473		FLAP	
	56507569		FLAP BROOM REAR	
	56508317		FLAP	
	56508083		FLAP HOPPER	
	56507417		FLAP DOOR	
	56107621		FLAP BROOM REAR	
			Ordinary Maintenance	
	56507619		SEAL KIT FOR SIDE BROOM MOTOR	
	56507895		GASKET	
	56507198		SEAL VACUUM FAN	
	56508728		SEAL HOPPER SKID PLATE	
	56507169		SEAL HOPPER	
	56507178		SEAL HOPPER DOOR SIDE	
	7-70-00127		SEAL KIT	
	56109100		SEAL KIT	
	56380809		SEAL KIT	
	56380813		SEAL KIT	
	56508223		SEAL KIT	
	56305354		SEAL KIT	
	56305355		SEAL KIT	
	56507702		SEAL KIT	
	56418823		SEAL KIT	
	8-70-00085		TUBE-INNER-PNEUMATIC-5 X 8	
	8-70-00093		TUBE-INNER PNEU. TIRE	
	56507618		SEAL KIT	
	56507620		SEAL KIT FOR MAIN BROOM MOTOR	
	56482659		OIL FILTER SPIN ON	
	56107706		SPARK PLUG	
			Extra-Ordinary Maintenance	
	56107828		MOTOR-SIDE BROOM	
	56508664		MOTOR 12VDC	
	56419089		STARTER MOTOR	[2]
	56507063		MOTOR TRACTION DRIVE	
	56507067		HYDRAULIC MOTOR VAC FAN	
	56394466		MOTOR-MAIN BROOM	
	8-85-06023		RIM ASSY - 3.00X8 LOCKRING	
	56305053		SENSOR PROXIMITY	
	56305129		ROTARY SENSOR	
	56508454		THERMOSTAT KIT	
	56508003		HARNES GASOLINE SENSOR	
	56305010		KNOB BROOM	
	56305030		KNOB ADJUSTING	
	2-00-04886		SCREW-HSHC 3/8-16 X 1/2 LONG	

RECOMMENDED SPARE PART

SW8000 165 D 4-CYL NIL

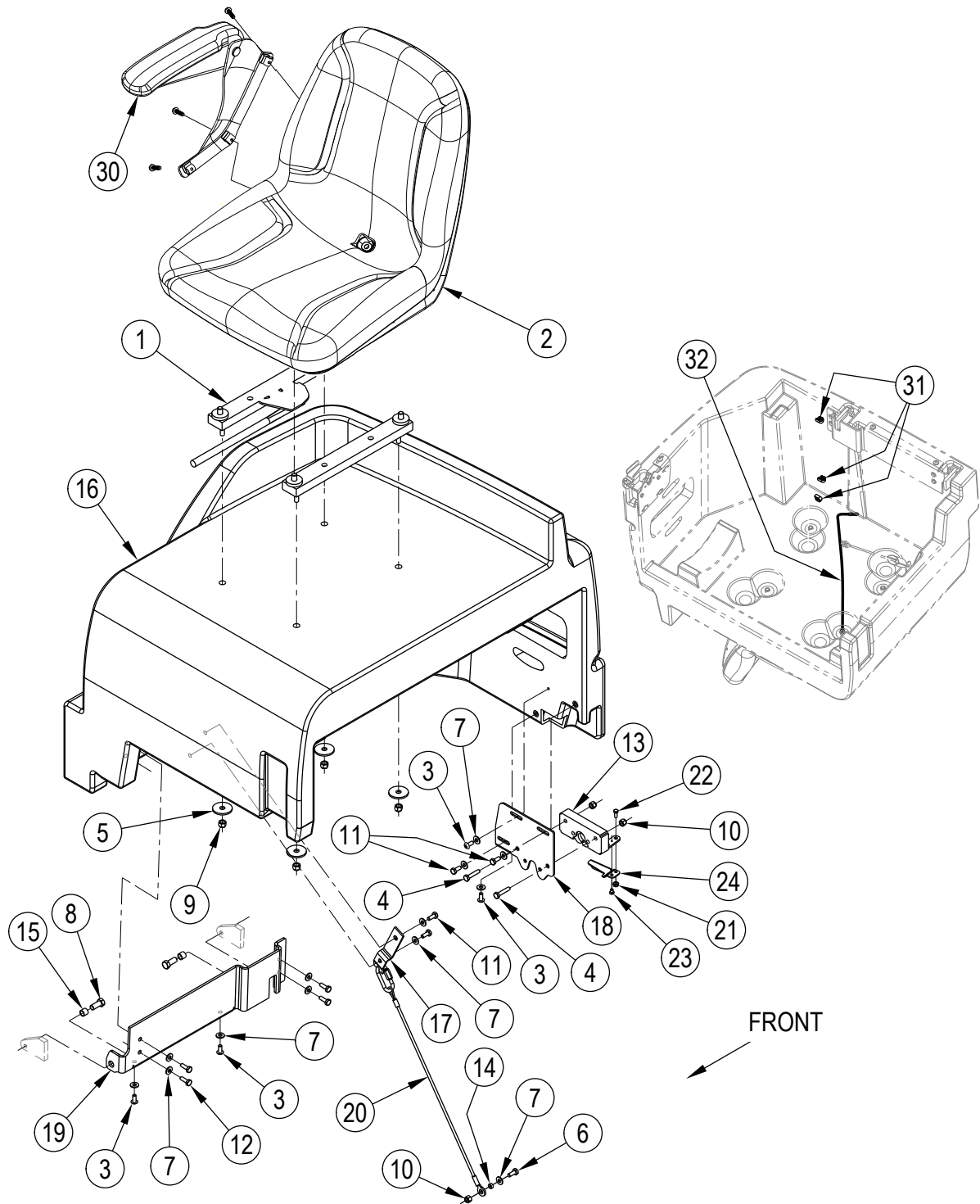
2017.11.02

2020.03.04

Pos.	Product no	QTY	Description	Notes
	2-00-04889		BEARING-MAIN BROOM IDLER	
	56507065		SIDE BROOM CYLINDER	
	56507095		STEERING CYLINDER	
	56507155		CYLINDER HYDRAULIC HOPPER DOOR	
	56507241		CYLINDER HYDRAULIC HOPPER LIFT	
	56305369		CARTRIDGE	
	56305367		CARTRIDGE	
	56305531		CARTRIDGE	
	56507686		CARTRIDGE	
	56507687		CARTRIDGE FLOW CONTROL 2 GPM	
	56507688		CARTRIDGE	
	56419397		RELIEF VALVE CARTRIDGE	
	56507690		DIRECTIONAL VALVE	
	56305370		CHECK VALVE CARTRIDGE	
	56507692		CARTRIDGE	
	56507983		ORIFICE	
	56508184		ORFICE	
	56507694		COIL 12 VDC	
	56507695		COIL 12 VDC	
	56497754		KEY SWITCH	
	56418685		SWITCH STARTER	
	56419091		SWITCH TEMPERATURE	
	56508400		CONTROLLER-THROTTLE	
	56454429		CIRCUIT BREAKER 70A	
	56413407		CIRCUIT BREAKER 15 AMP	
	56507644		CIRCUIT BREAKER 10 AMP	
	56110738		ALTERNATOR 105 AMP	
	56418387		RELAY SPDT	
	56383884		SENDER-TEMPERATURE-BSP	[4]
	56305873		SENDER TEMPERATURE	[5]
	56508191		SWITCH ASSEMBLY N.O.	
	56507889		SWITCH SPDT ROCKER	
	56507888		SWITCH SPDT ROCKER	
	56508899		SWITCH THERMOSTAT	
	56508871		SWITCH BINARY	
	56418381		SWITCH N C PRESSURE	
	56107613		SENSOR OXYGEN	
	56107712		OIL PRESSURE SWITCH	
	56508444		SWITCH PRESSURE	
	56107721		WATER TEMP SENSOR W/SEAL	
	2-00-06354		CRANK/RPM SENSOR	
	56107707		STARTER	
	56107708		WATER PUMP ASSY-LPG	
	56510970		WATER PUMP-D1305	
	56107710		DIPSTICK	
	56107711		GASKET-EXHAUST MANIFOLD	
	56107718		IGNITION COIL	
	56510971		PULLEY-ALTERNATOR	
	56383025		CAP-OIL FILL	
	56107668		SWITCH KIT-OPERATOR PRESENCE	

Part Notes:

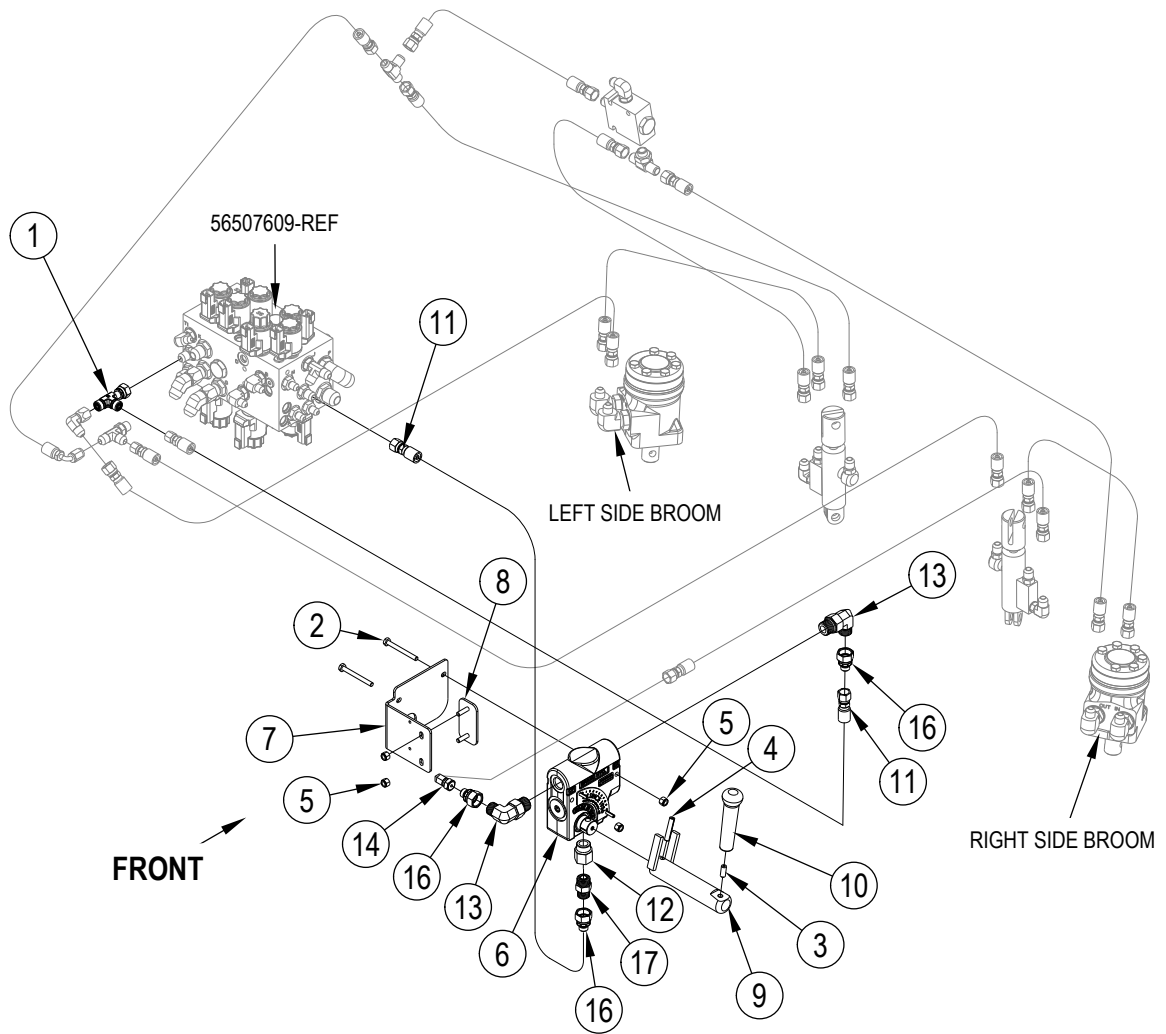
- [1] - Oil Drain Plug
- [2] - Diesel
- [3] - OPENED BY MISTAKE
- [4] - All Diesel machines built after serial number 1000053695 with factory installed temperature gauge.
- [5] - All Diesel machines built before serial number 1000053696 with factory installed temperature gauge.



Pos.	Product no	QTY	Description	Notes
1	7-72-05005	1	SLIDE ADJUSTER KIT	
2	56383291	1	SEAT-8 IN. MOUNT	[1]
3	56009120	4	SCR PANPHIL SS TYPEB1/4-14X.62	
4	56001878	2	SCR HEX 1/4-20 X 1.25	
5	56009242	4	WSH FLT .406X1.50X.125	
6	56001836	1	SCR HEX 1/4-20 X .62	
7	56002098	13	H FLT SAE 1/4	
8	56002271	2	SCR HEX 3/8-16 X .88	
9	56002701	4	NUT HEX NYL LOC 5/16-18	
10	56002708	3	NUT HEX NYL LOC 1/4-20	
11	56002922	4	SCR HEX LOC 1/4-20 X .62	
12	56002948	4	SCR HEX LOC-1/4-20 X 0.75	
13	56304827	1	LATCH RH	
14	56163872	1	BUSHING .25X.37X.16PM6H	
15	56388326	2	BUSHING .38X.48X.41	
16	56507088	1	SEAT SUPPORT	
17	56508097	1	BRACKET	
18	56107819	1	BRACKET-SEAT LATCH	
19	56508330	1	SEAT PIVOT WELDT	
20	56107826	1	CABLE ASSEMBLY KIT	
21	56002832	1	NUT HEX NYL LOC-THIN 10-24	
22	56009039	1	SCR HEX THD FORM 10-24X .50	
23	56009063	1	SCR HEX THD FORM 10-24X .25	
24	56107820	1	BRACKET-LATCH HANDLE	
30	56383189	1	ARM REST KIT-R/H ONLY	[2]
30	7-03-04250	1	ARM REST RH ONLY	[3]
31	56507793	3	CLIP CONDUIT	
32	56508924	1	WIRE-ASSEMBLY	

Part Notes:

- [1] - Seat 7-69-00008 has been replaced in production with Seat 56383291. If you need to replace Seat 7-69-00008 please order Seat Kit 56383467. Revised or new since last update
- [2] - Arm Rest Kit 56383189 is only for use on Seat 56383291. Revised or new since last update
- [3] - Arm Rest Kit 7-03-04250 is only for use on Seat 7-69-00008. Revised or new since last update

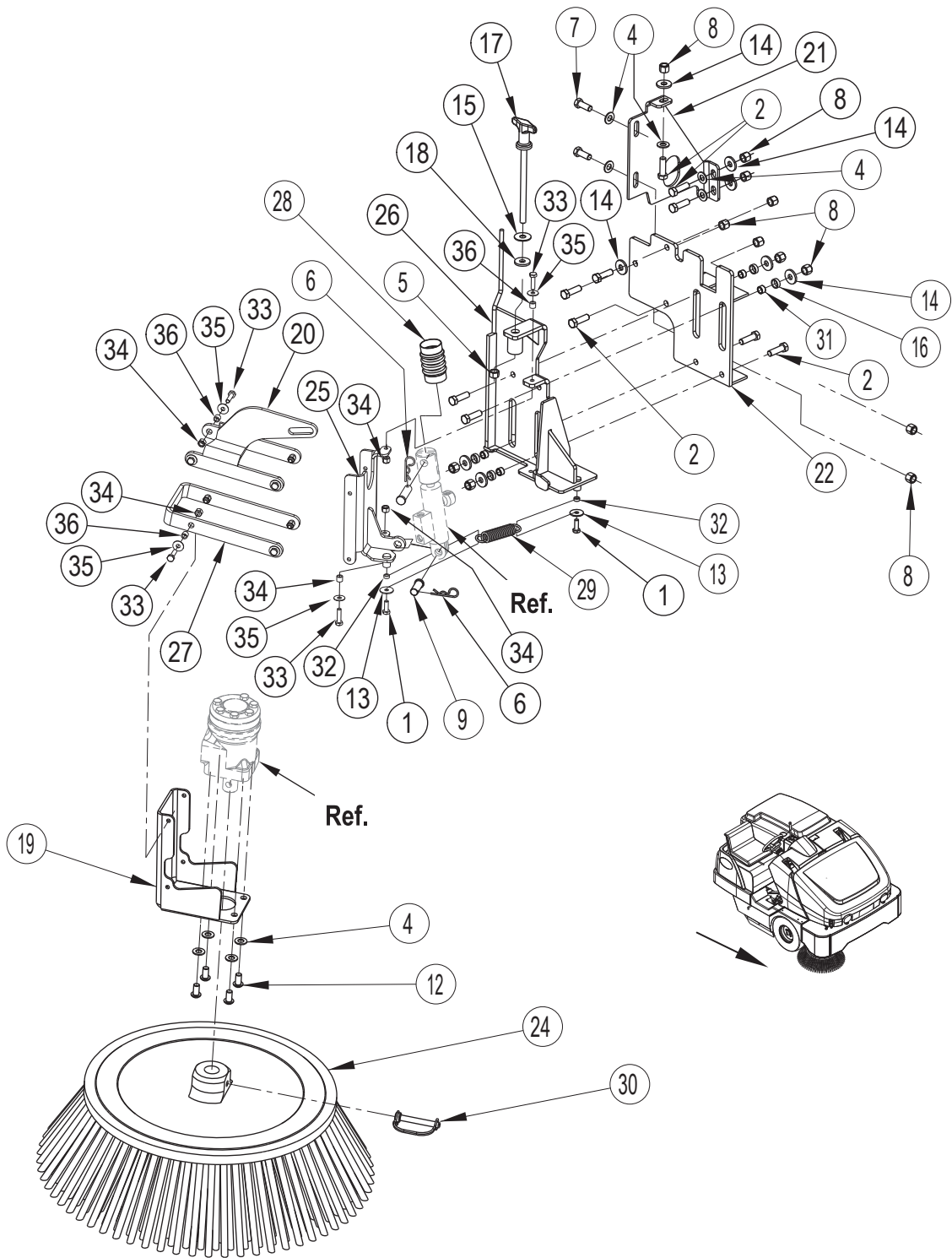


Side Broom Speed Control OPTION - ORFS (APRIL 1 OR AFTER, 2018)

SW8000 165 D 4-CYL NIL

2018.10.24

Pos.	Product no	QTY	Description	Notes
1	56394084	1	FTG-RUN TEE-4MORFS-4FSWORFS	
2	56001855	2	SCR HEX 1/4-20 X 2.50	
3	56002085	1	SCR SOC SET LOC 5/16-18 X .75	
4	56002225	1	PIN SPR .31 X 1.50	
5	56002708	4	NUT HEX NYL LOC 1/4-20	
6	56107677	1	FLOW CONTROL VALVE	
7	56107678	1	BRACKET	
8	56107679	1	PLATE	
9	56107681	1	HANDLE EXTENSION WELDT	
10	56305010	1	KNOB BROOM	
11	7-33-02577	2	HOSE HYD 4 STR-STR 9/16-18	
12	56900602	1	REDUCER W/O RING E00026	
13	2-00-04921	2	FTG-90-8MORFS-10MORB	
14	56394035	1	FTG-90-4MORFS-4FSWORFS	
15	56107547	1	DECAL-SIDE BROOM SPEED	
16	56394072	3	FTG-STR-8FSWORFS-4MORFS	
17	2-00-04970	1	FITTING-HYD STR 8 ORS-8 SAE	



SIDE BROOM SYSTEM

SW8000 165 D 4-CYL NIL

2018.02.19

2020.01.24

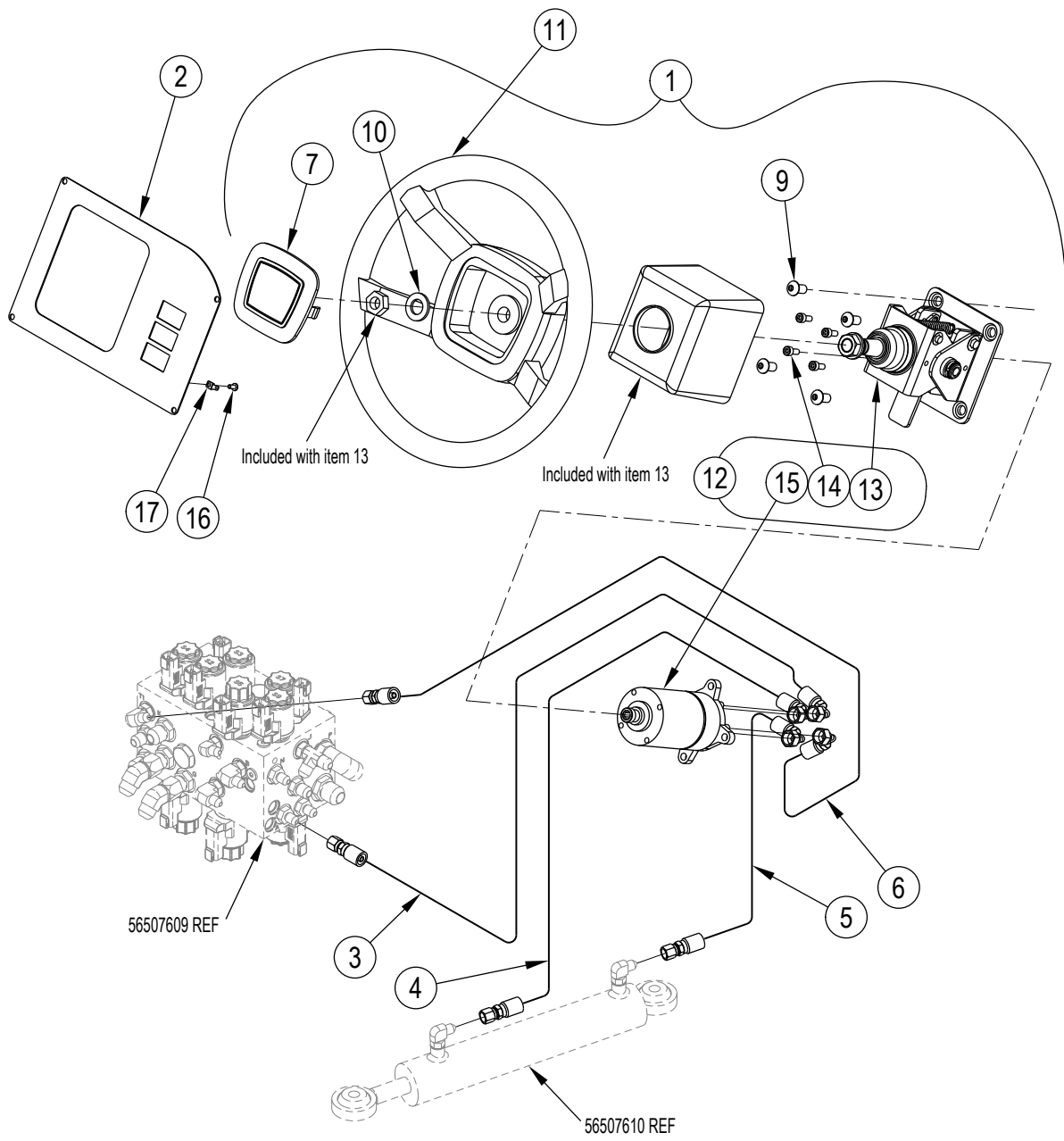
Pos.	Product no	QTY	Description	Notes
1	56002948	2	SCR HEX LOC-1/4-20 X 0.75	
2	56001858	10	SCR HEX 3/8-16 X 1.25	
3	56003813	10	PIN-BOW-TIE COT 1/4-3/8X.072	
4	56002063	9	WSH FLT SAE 3/8	
5	56002123	1	NUT HEX MACHINE 3/8-16	
6	56003120	2	PIN COT HAIR.093XDIA .25-.50	
7	56002663	2	SCR HEX 3/8-16 X 1.00	
8	56002769	12	NUT HEX NYL LOC 3/8-16	
9	56003514	1	PIN CLEVIS .500 X 1.25	
10	56003727	10	PIN CLEVIS .250 X .625	
11	56003728	1	PIN CLEVIS .500 X 1.75	
12	56003729	4	SCR SOC HD BUT LOC 3/8-16X.75	
13	56009002	2	WASHER FLAT .266X.906X.060	
14	56009107	8	WSH FLT SS .378/.373X1.00X.075	
15	56151068	1	WSH FLT FIBRE .406G31E	
16	56365030	4	BUSHING CA334D	
17	56413576	1	KNOB	
18	56413599	1	WASHER RUBBER	
19	56507078	1	MOUNT SIDE MOTOR	
20	56508966	1	LINKAGE KIT-SIDE BROOM-RH	[1]
20	56508959	1	LINKAGE WELDMENT-SIDE BROOM	[2]
21	56507122	1	BRACKET	
22	56507148	1	BRACKET SIDE BROOM	
24	56508498	1	SIDE BROOM POLY 41 DEGREES	
25	56507502	1	BRACKET SIDE BROOM PIVOT	
26	56508962	1	BRACKET WELDT-SIDE BROOM MOUNT	[3]
26	56508968	1	BRACKET KIT-SIDE BROOM-RH	[4]
27	56508957	1	SIDE BROOM LINKAGE	[3]
27	56508966	1	LINKAGE KIT-SIDE BROOM-RH	[1]
27	56507633	1	SIDE BROOM LINKAGE	[5]
28	56507634	1	SIDE BROOM CYCLINDER BELLOWS	
29	56507707	1	SPRING SIDE BROOM	
30	56508392	1	PIN T-LOCK	
31	56508363	4	BUSHING .377 X .49 X .30	
32	56163872	2	BUSHING .25X.37X.16PM6H	
33	56002093	10	SCR HEX 1/4-20 X 1.00	
34	56002708	10	NUT HEX NYL LOC 1/4-20	
35	56009025	10	WSH FLT .266X.750X.036	
36	56107786	10	BUSHING-.256X.393X.340	

Part Notes:

- [1] - Before S/N 1000063579 (Kit required)
TSB-FC-2016-280 SW8000 Side broom linkage improvements
- [2] - TSB-FC-2016-280 SW8000 Side broom linkage improvements

- After S/N 1000063579
- [3] - After S/N 1000063579
TSB-FC-2016-280 SW8000 Side broom linkage improvements
- [4] - TSB-FC-2016-280 SW8000 Side broom linkage improvements

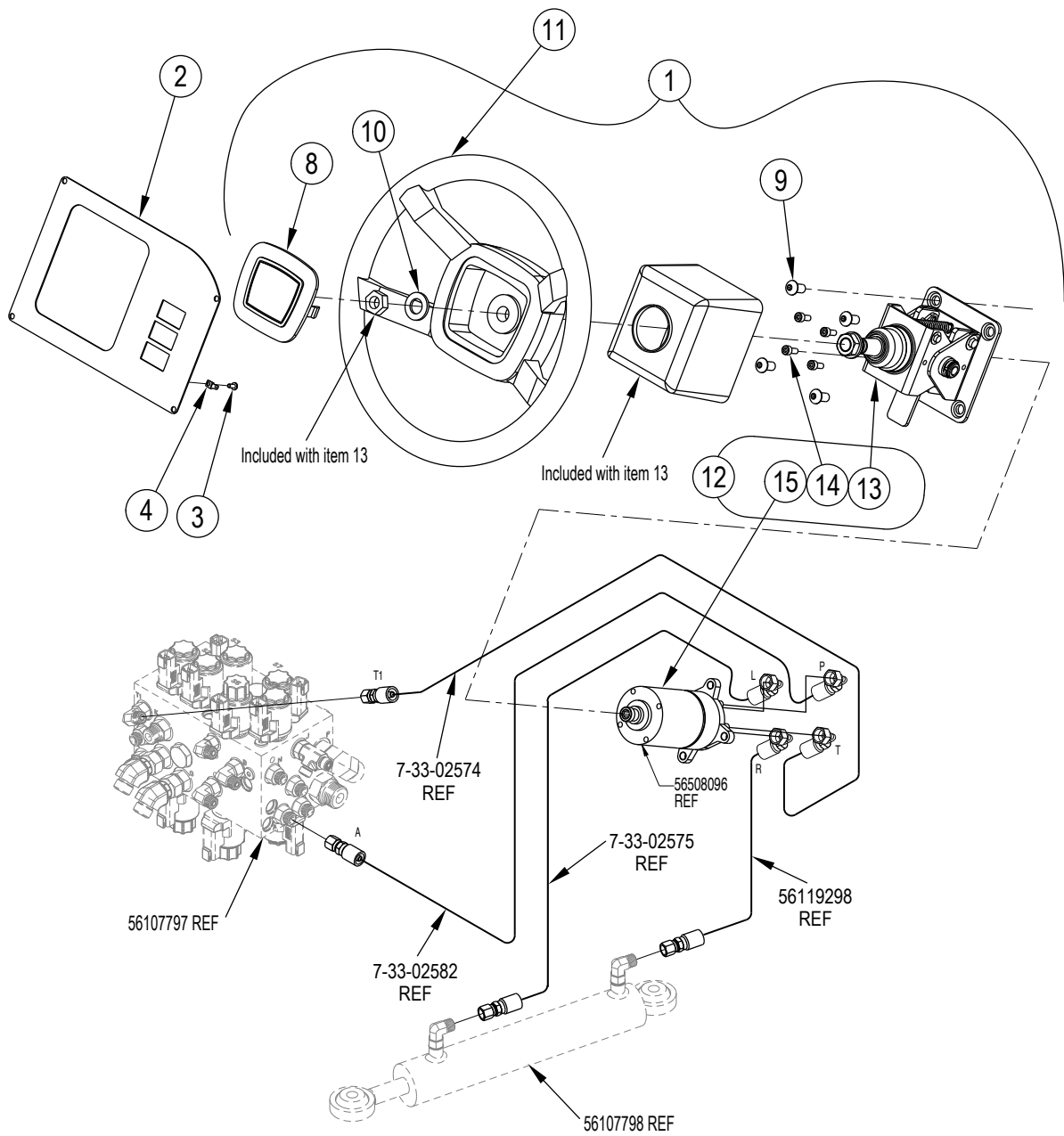
- Before S/N 1000063579 (Kit required)
- [5] - SEE TSB-FC-2016-280
TSB-FC-2016-280 SW8000 Side broom linkage improvements



Pos.	Product no	QTY	Description	Notes
	56507228	1	TILT STEERING OPTION	[1]
1	56507239	1	TILT STEERING ASSEMBLY	
2	56107697	1	PANEL-TILT STERING ASSY	
3	56507360	1	HOSE HYDRAULIC	
4	56507361	1	HOSE HYDRAULIC	
5	56507362	1	HOSE HYDRAULIC	
6	56507363	1	HOSE HYDRAULIC	
7	7-16-07428	1	COVER-STEERING WHEEL	
9	56003729	4	SCR SOC HD BUT LOC 3/8-16X.75	
10	56009218	1	WASHER FLAT .688 X 1.25 X 0	
11	56418460	1	STEERING WHEEL	
12	56508224	1	STEERING UNIT ASSEMBLY	
13	7-70-05207	1	SHAFT COLUMN TILT	
14	56003425	4	SCR SOC SS M6-1X14MM	
15	56508096	1	STEERING CONTROL UNIT	
16	56001818	1	SCR PAN PHIL 8-32 X .38	
17	56508923	1	TAB-QUICK CONNECT .187 X 8	
			This factory installed option is obsolete and no longer available. Parts can be ordered individually For 37° Flare machines shipped before April 1, 2018. Refer to the ORFS Systems for machines shipped after April 1, 2018. If unsure of the ship date, please use the serial number to look it up.	

Part Notes:

[1] - MULTPL REPL SEE CUST SRVC



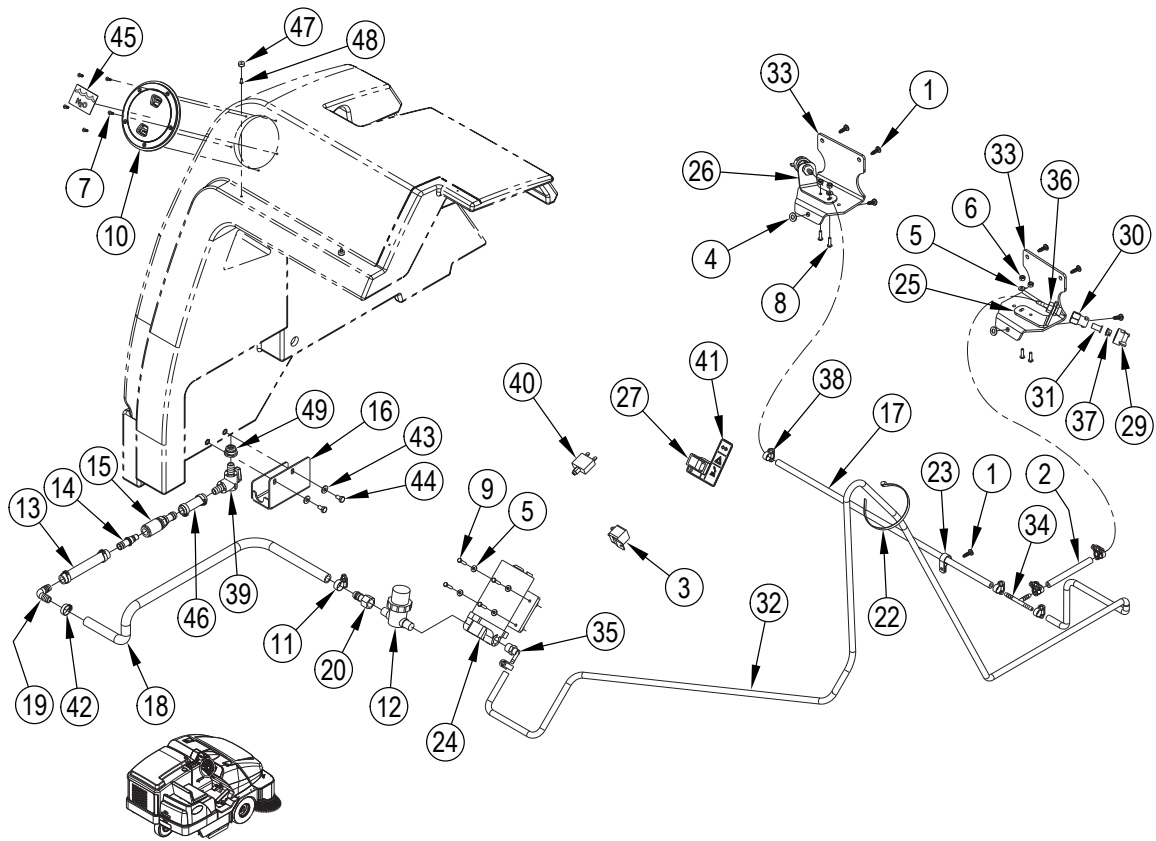
Tilt Steering Option - ORFS (APRIL 1 OR AFTER, 2018)

SW8000 165 D 4-CYL NIL

2018.10.12

2018.10.24

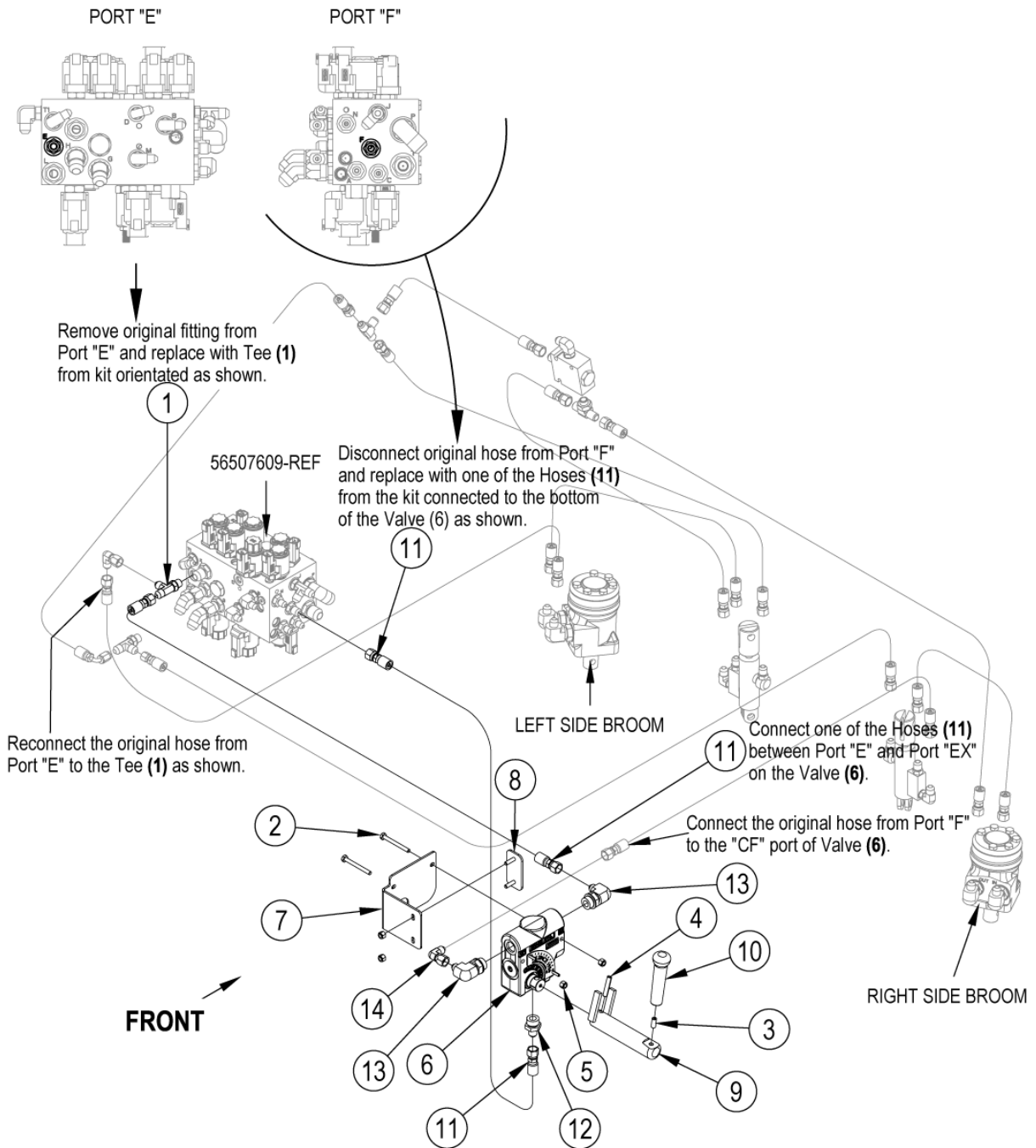
Pos.	Product no	QTY	Description	Notes
	56107810	1	TILT STEERING OPTION	
1	56507239	1	TILT STEERING ASSEMBLY	
2	56107697	1	PANEL-TILT STERING ASSY	
3	56001818	1	SCR PAN PHIL 8-32 X .38	
4	56508923	1	TAB-QUICK CONNECT .187 X 8	
8	7-16-07428	1	COVER-STEERING WHEEL	
9	56003729	4	SCR SOC HD BUT LOC 3/8-16X.75	
10	56009218	1	WASHER FLAT .688 X 1.25 X 0	
11	56418460	1	STEERING WHEEL	
12	56508224	1	STEERING UNIT ASSEMBLY	
13	7-70-05207	1	SHAFT COLUMN TILT	
14	56003425	4	SCR SOC SS M6-1X14MM	
15	56508096	1	STEERING CONTROL UNIT	



Pos.	Product no	QTY	Description	Notes
00	56507850	1	MIST SPRAY KIT	[1]
1	56004060	7	SCR-TORX FLG HD-PT-SS-M6X20	
2	56264260	1	5.00 HOSE	
3	56418387	1	RELAY SPDT	
4	56002938	2	WSH FLT SAE SS 5/16	
5	56002916	6	WSH FLT SAE SS 10	
6	56002836	4	NUT HEX NYL LOC SS 10-24	
7	56004065	6		
8	56002894	4	SCR PAN PHIL SS 10-24 X .75	
9	56009038	4	SCRHEX THD FORM 10-24 X .88	
10	FP292	1	SOLUTION LID KIT 56108085	
11	56219932	1	CLAMP HOSE SAE 6 E00047	
12	56260905	1	STRAINER	
13	56265220	2	HOSE SOLUTION E00604	
14	56314310	1	COUPLING QUICK DISC. MALE	
15	56314311	1	COUPLING QUICK DISC. FEMALE	
16	56107817	1	GUARD-VALVE	
17	56317122	1	HOSE .25X25.0 E00160	
18	56392663	1	HOSE SPIRAL 1/2IDX3/4ODX33.0	
19	56386183	1	HOSE BARB 90 DEG	
20	56397145	1	BARB HOSE FEMALE	
22	56477613	1	CABLE TIE E00549 RE409S+	
23	56486112	1	CLAMP P	
24	56507851	1	PUMP 24 VDC	
25	56107702	1	BRACKET-NOZZLE	
26	56107701	1	BRACKET-NOZZLE	
27	56507889	1	SWITCH SPDT ROCKER	
28	56507902	1	ELECTRICAL HARNESS DUST GUARD	
29	56507908	2	CAP NOZZLE	
30	56507909	2	ADAPTER NOZZLE	
31	56507916	2	STRAINER CHECK VALVE 5 PSI	
32	56507986	1	HOSE 1/4 ID X 1/2 OD X 120 LG	
33	56107700	2	BRACKET-MIST SPRAY NOZZLE	
34	56508441	1	TEE 1/4 HOSE BARB	
35	56508442	1	ELBOW BARB 1/4 X 3/8 NPT	
36	56508449	2	NOZZLE ADAPTOR	
37	56508450	2	NOZZLE SPRAY	
38	56756364	4	CLAMP HOSE SAE 4 E00047	
39	9100000803	1	VALVE ELBOW SIP	
40	56507644	1	CIRCUIT BREAKER 10 AMP	
41	56508228	1	DECAL OPTIONS	
42	56508517	5	CLAMP OEITKER	
43	56002859	2	WSH FLT SAE SS 1/4	
44	56002801	2	SCR HEX SS 1/4-20 X .50	
45	56508644	1	DECAL WATER ONLY	
46	56262561	1	HOSE E00604	
47	56107821	2	BUMPER-.50X.25	[2]
48	56009129	2	SCR PAN PHIL TYPE B 6X.38	[3]
49	909 5286 000	1	GASKET RUBBER F BARB HOSE D.10	

Part Notes:

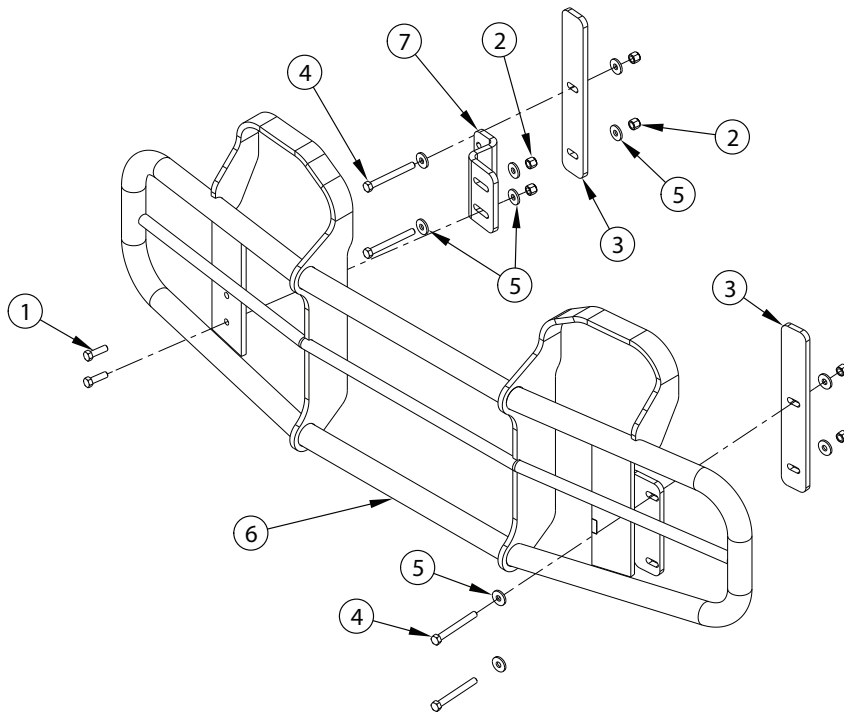
- [1] - IS56040940. Sidebroom Premist Kit, PN-56507850
[2] - EXPIRED USE 56507850
[3] - GUARANTEE DATE EXPIRED



Pos.	Product no	QTY	Description	Notes
00	56107680	1	KIT-SIDE BROOM SPEED CONTROL	[1]
01	56900343	1	TEE E00009	
02	56001855	2	SCR HEX 1/4-20 X 2.50	[2]
03	56002085	1	SCR SOC SET LOC 5/16-18 X .75	[3]
04	56002225	1	PIN SPR .31 X 1.50	[2]
05	56002708	4	NUT HEX NYL LOC 1/4-20	[4]
06	56107677	1	FLOW CONTROL VALVE	[2]
07	56107678	1	BRACKET	[2]
08	56107679	1	PLATE	
09	56107681	1	HANDLE EXTENSION WELDT	[2]
0A		1	Valve Assembly	[5]
0B		1	Handle Assembly	[6]
10	56305010	1	KNOB BROOM	[3]
11	56507537	2	HOSE HYDRAULIC	
12	56900014	1	CONNECTOR O/R-6-10 E00001	[2]
13	56900113	2	ELBOW 90 DEG.O/R	[2]
14	56900303	1	ELBOW 90D W/NUT 6C6X-S E00007	[2]
15	56107547	1	DECAL-SIDE BROOM SPEED	

Part Notes:

- [1] - MULTPL REPL SEE CUST SRVC
- [2] - A
- [3] - B
- [4] - 5
- [5] - Valve Assembly
- [6] - Handle Assembly



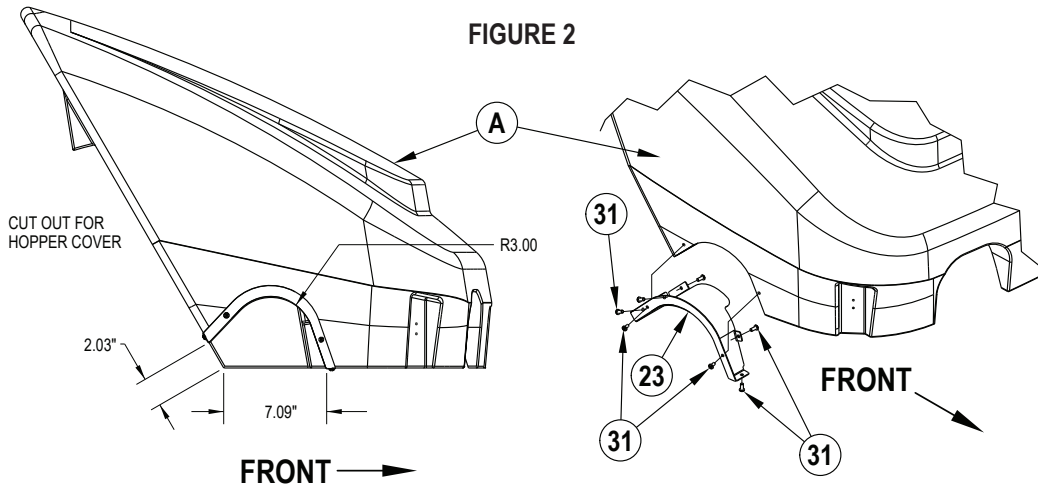
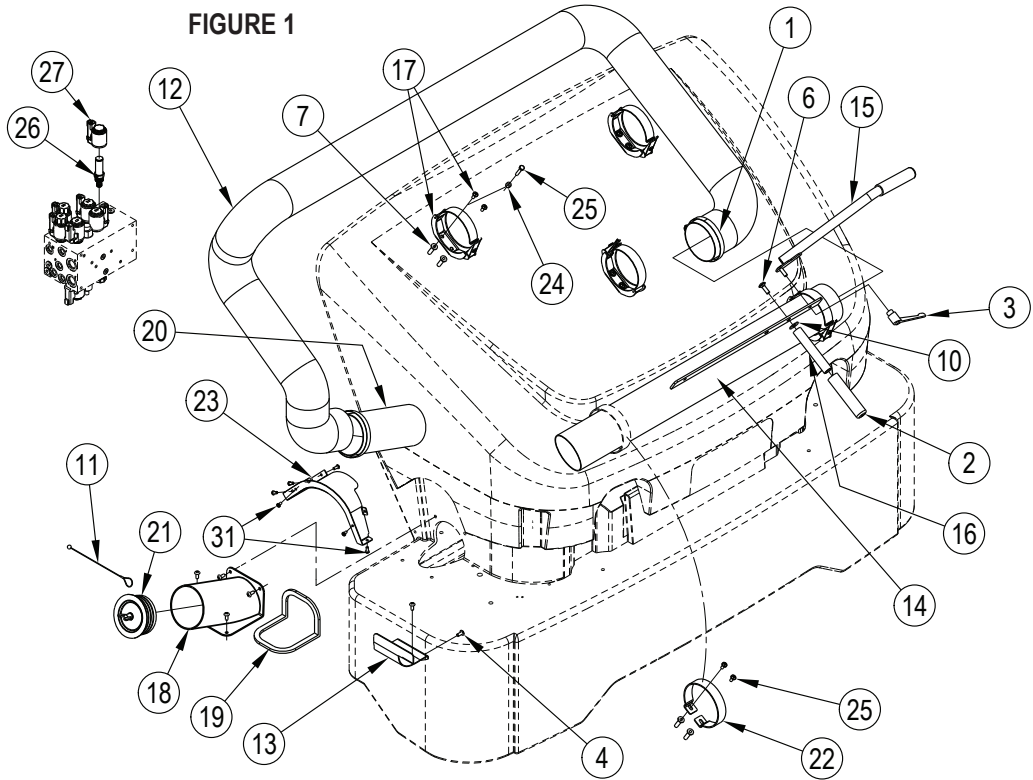
56107612 - FRONT BUMPER KIT

SW8000 165 D 4-CYL NIL

2018.02.14

2018.02.14

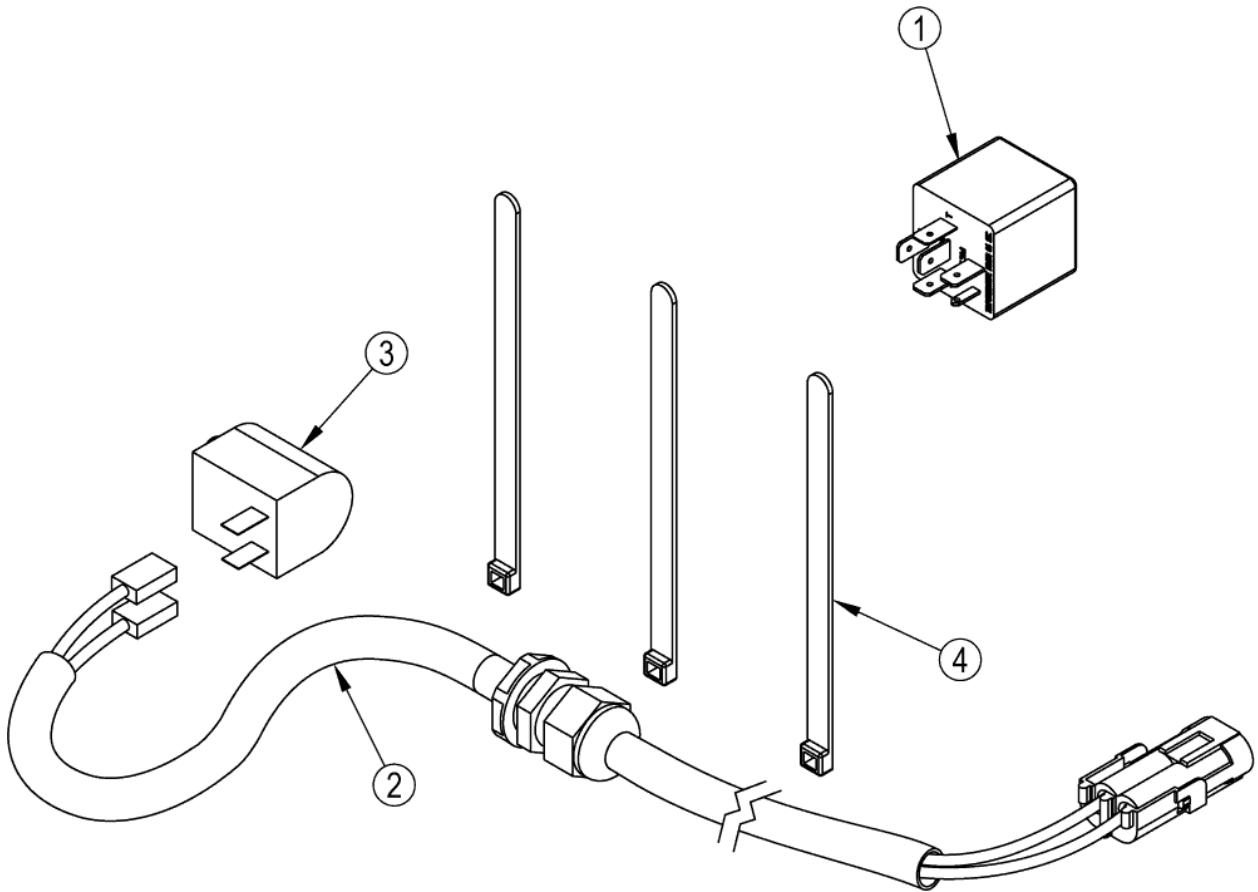
Pos.	Product no	QTY	Description	Notes
00	56107612	1	FRONT BUMPER KIT	
1	56002902	2	SCR HEX SS 3/8-16 X 1.50	
2	56003219	6	NUT HEX NYL LOC SS 3/8-16	
3	56107756	4	SPACER-BUMPER	
4	56003936	4	SCR-HEX SS 3/8-16 X 3.50	
5	56009107	10	WSH FLT SS .378/.373X1.00X.075	
6	56107628	1	FRONT BUMPER WELDT	
7	56107633	1	BRACKET-RT	



Pos.	Product no	QTY	Description	Notes
00	56507030	1	LITTER VAC KIT	[1]
1	2-00-03959	2	CLAMP-FAN HOSE	
2	2-95-03355	2	GRIP-HDL	
3	7-39-00033	1	KNOB 5-16/18 ADJ HANDLE	
4	56009120	6	SCR PANPHIL SS TYPEB1/4-14X.62	
6	56003720	1	SCR CARRIAGE SS 5/16-18 X 1.00	
7	56003768	10	INSERT COLLAPSING 1/4-20	
8	56001967	1	SCR HEX 1/4-20 X 1.75	
9			Intentionally Omitted	
10	56009213	1	SH FLT .382X1.000X.075	
11	56261378	1	STRAP CORK	
12	56507863	1	HOSE-VAC-4.000 X 108.00	
13	56508451	1	BAFFLE VAC WAND	
14	56508550	1	VAC TUBE WELDMENT	
15	56508555	1	HANDLE WELDMENT	
16	56508556	1	GRIP WELDMENT	
17	56508570	4	CLAMP ASSEMBLY	
18	56508724	1	VAC HOSE MANIFOLD WELDT	
19	56508727	1	SEAL VAC HOSE MANIFOLD	
20	56508729	1	COUPLING VAC HOSE	
21	56508731	1	PLUG 4 PIPE	
22	56508732	1	BRACKET VAC HOSE	
23	56508733	1	COVER CUTOUT WELDT	
24	56508740	1	INSERT TOOL	
25	56001821	10	SCR HEX 1/4-20 X .88	
26	56305368	1	CARTRIDGE	
27	56507694	1	COIL 12 VDC	
28	56508191	1	SWITCH ASSEMBLY N.O.	[2]
29	56001854	2	SCR HEX 1/4-20 X .50	[2]
30	56002098	2	H FLT SAE 1/4	[2]
31	56009005	8	SCR PANPHILS TYPE A 10-16X.75	[2]
32	56418387	1	RELAY SPDT	[2]

Part Notes:

- [1] - IS56040935. Litter Vac Kit. PN-56507030
 [2] - (SW8000 only)



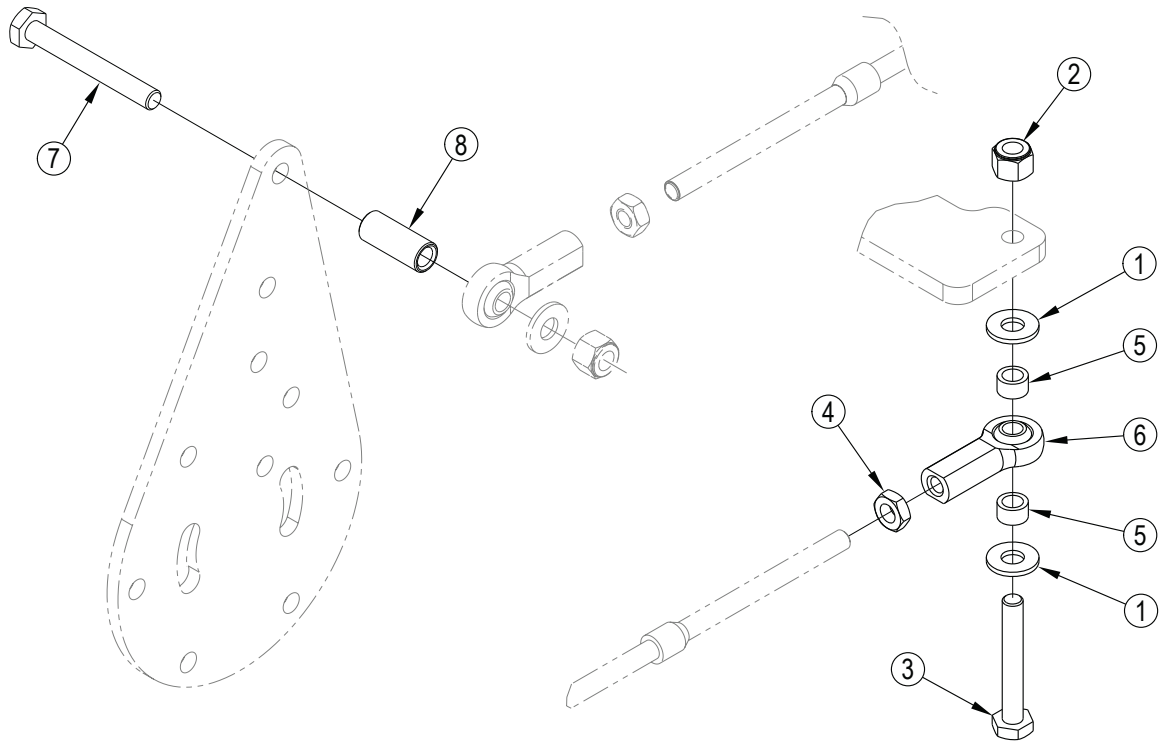
56107668 - OPERATOR PRESENCE SWITCH KIT

SW8000 165 D 4-CYL NIL

2017.11.02

2015.07.07

Pos.	Product no	QTY	Description	Notes
00	56107668	1	SWITCH KIT-OPERATOR PRESENCE	
01	1466196000	1	RELAY TIMER 0.5 SECONDS SIP	
02	56380833	1	HARNES-SEAT JUMPER	
03	7-82-00050	1	SWITCH SEAT	
04	2-00-04345	3	15.35 IN CABLE TIE BLK NYLON	



Resource notes:

NOTE: All the machines listed above built before serial number 1000052640 need to install the Rod End Throttle Service Kit 56383880 to replace

the Rod End on the Forward - Reverse Push Pull Control Cable connection to the Piston Pump Assembly. The Granterra / SR2000 Diesel Models

require (2) Rod end Throttle Kits to service the machine.

56383880 - ROD END THROTTLE KIT

SW8000 165 D 4-CYL NIL

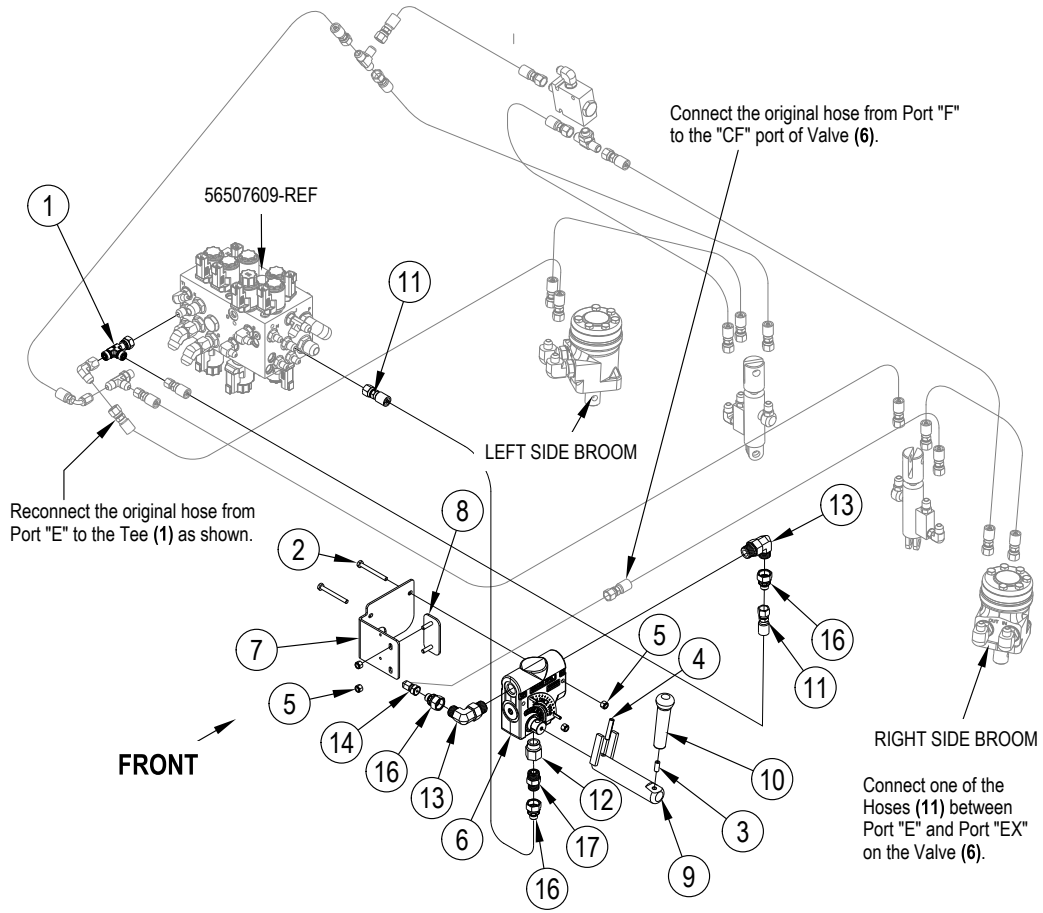
2017.11.02

2019.05.15

Pos.	Product no	QTY	Description	Notes
0	56383880	1	ROD END THROTTLE KIT	[1]
1	56002098	2	H FLT SAE 1/4	
2	56002708	1	NUT HEX NYL LOC 1/4-20	
3	56003484	1	SCR HEX GRD8 1/4-20 X 1.75	
4	2-95-01999	1	NUT-HEX-JAM .25-28 ZN	
5	56368997	2	BUSHING .25X.37X.21CV82H	
6	7-25-02111	1	ROD END 1/4-28	
7	56003962	1	SCR-HEX 1/4-20 X 2.00 GRADE 8	
8	56383657	1	SPACER-.25 IDX.375 ODX.900	

Part Notes:

[1] - IS56090236. ROD END THROTTLE KIT 56383880



56107809 - SIDE BROOM SPEED CONTROL KIT

SW8000 165 D 4-CYL NIL

2018.07.01

2018.07.03

Pos.	Product no	QTY	Description	Notes
	56107809	1	SIDE BROOM SPEED CONTROL-KIT	
1	56394084	1	FTG-RUN TEE-4MORFS-4FSWORFS	
2	56001855	2	SCR HEX 1/4-20 X 2.50	
3	56002085	1	SCR SOC SET LOC 5/16-18 X .75	
4	56002225	1	PIN SPR .31 X 1.50	
5	56002708	4	NUT HEX NYL LOC 1/4-20	
6	56107677	1	FLOW CONTROL VALVE	
7	56107678	1	BRACKET	
8	56107679	1	PLATE	
9	56107681	1	HANDLE EXTENSION WELDT	
10	56305010	1	KNOB BROOM	
11	7-33-02577	2	HOSE HYD 4 STR-STR 9/16-18	
12	56900602	1	REDUCER W/O RING E00026	
13	2-00-04921	2	FTG-90-8MORFS-10MORB	
14	56394035	1	FTG-90-4MORFS-4FSWORFS	
15	56107547	1	DECAL-SIDE BROOM SPEED	
16	56394072	3	FTG-STR-8FSWORFS-4MORFS	
17	2-00-04970	1	FITTING-HYD STR 8 ORS-8 SAE	

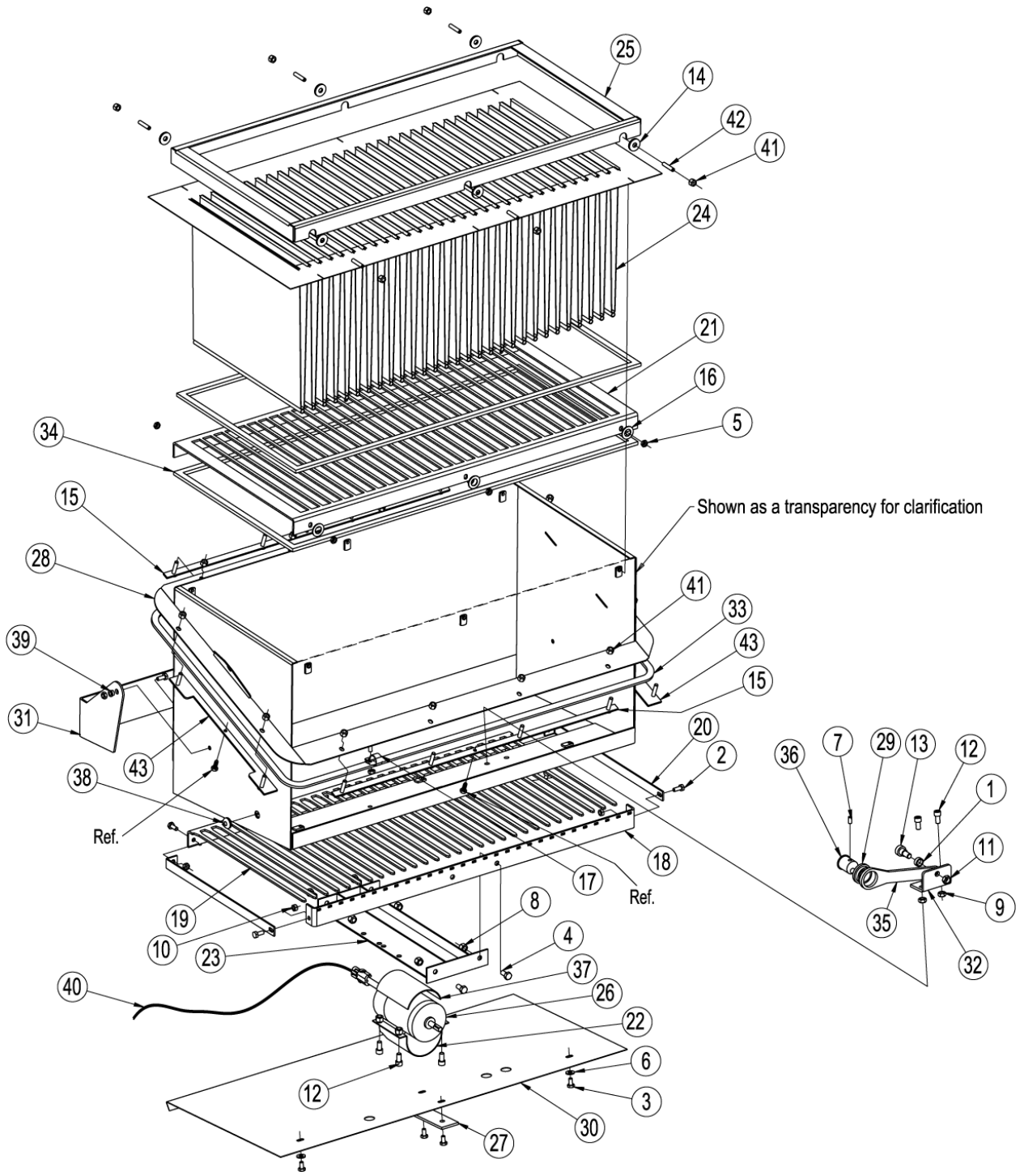
56107810 - TILT STEERING OPTION

SW8000 165 D 4-CYL NIL

2018.07.12

2018.07.12

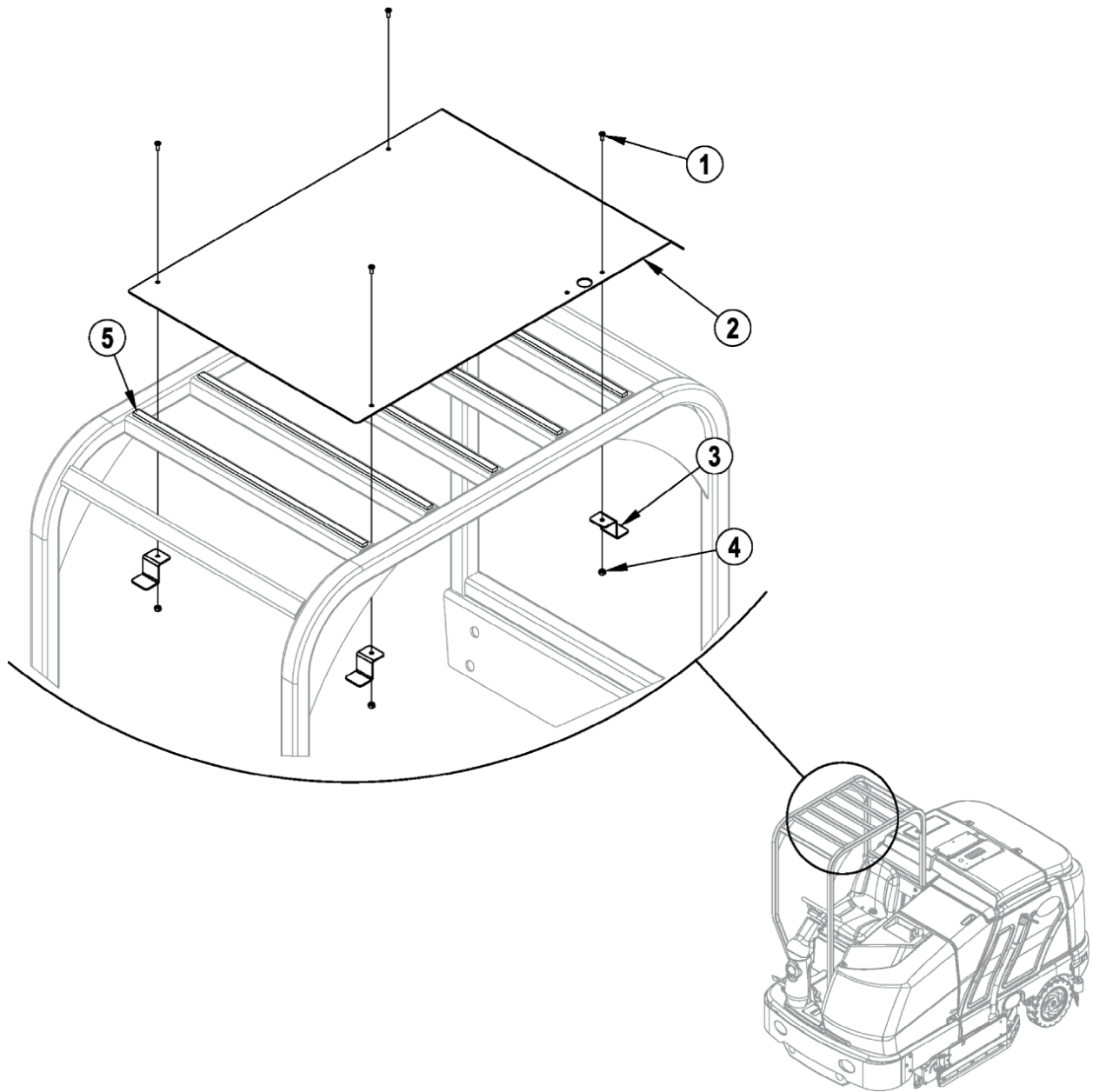
Pos.	Product no	QTY	Description	Notes
	56107810	1	TILT STEERING OPTION	
1	56507239	1	TILT STEERING ASSEMBLY	
2	56107697	1	PANEL-TILT STERING ASSY	
3	56001818	1	SCR PAN PHIL 8-32 X .38	
4	56508923	1	TAB-QUICK CONNECT .187 X 8	



Pos.	Product no	QTY	Description	Notes
00	56507710	1	POCKET FILTER ASSEMBLY	[1]
01	56185263	1	BEARING SLEEVE E00202	
02	56001836	6	SCR HEX 1/4-20 X .62	
03	56001854	5	SCR HEX 1/4-20 X .50	
04	56002035	4	SCR HEX 5/16-18 X .62	
05	56009087	6	NUT HEX JAM 1/4-20	
06	56002098	2	H FLT SAE 1/4	
07	56002119	1	SCR SOC SET LOC 1/4-20 X .50	
08	56002701	8	NUT HEX NYL LOC 5/16-18	
09	56002826	2	NUT HEX NYL LOC-THIN 5/16-18	
10	56002840	7	NUT HEX NYL LOC-THIN 1/4-20	
11	56002841	1	NUT HEX NYL LOC-THIN 3/8-16	
12	56003118	6	SCR SOC HD 5/16-18 X .62	
13	56003673	1	SCR SOC HD SHD .50X.38X3/8-16	
14	56009122	6	WSH FLT .344X.938X.125	
15	56508700	2	CLAMP FILTER CHAMBER	
16	56009253	3	WSH FLT .563X1.00X.060	
17	56486112	1	CLAMP P	
18	56507578	1	BRACKET	[2]
19	56507579	1	BRACKET	[2]
20	56507580	2	BRACKET	[3]
21	56507581	1	PLATE	[4]
22	56507583	1	BRACKET MOTOR MTG	[3]
23	56507585	1	MOTOR MTG	[3]
24	56507588	1	POCKET FILTER	[5]
25	56507591	1	CLAMP FILTER TOP	
26	56507595	1	MOTOR 12 VDC 1/8 HP	[2]
27	56507737	1	SUPPORT BAR	[2]
28	56507745	1	MTG BOX BAG FILTER	[3]
29	56507767	1	BEAR FLAN IGUS 1.00X1.25X.50	
30	56507770	1	DUST PLATE	[3]
31	56507778	1	BAFFLE	[3]
32	56507880	1	BRACKET	[3]
33	56508088	1	GASKET 1/2 X 1/4	
34	56508213	2	GASKET BAG FILTER	[2]
35	56508300	1	LINK FILTER SHAKER	
36	56508301	1	CAM FILTER SHAKER	[6]
37	56508359	1	GASKET MOTOR MTG	
38	56570206	1	GROMMET .562 E00059	
39	56756318	2	BEARING FLANGE .250 E00201	
40	56508081	1	HARNES BAG FILTER	
41	56002708	22	NUT HEX NYL LOC 1/4-20	
42	56003782	6	SCR SOC SET LOC 1/4-20X1.25 ZP	
43	56508815	2	CLAMP WELDT POCKET FILTER	[2]
44	56504473	1	TOOL WEATHER PACK REMOVAL	[7]

Part Notes:

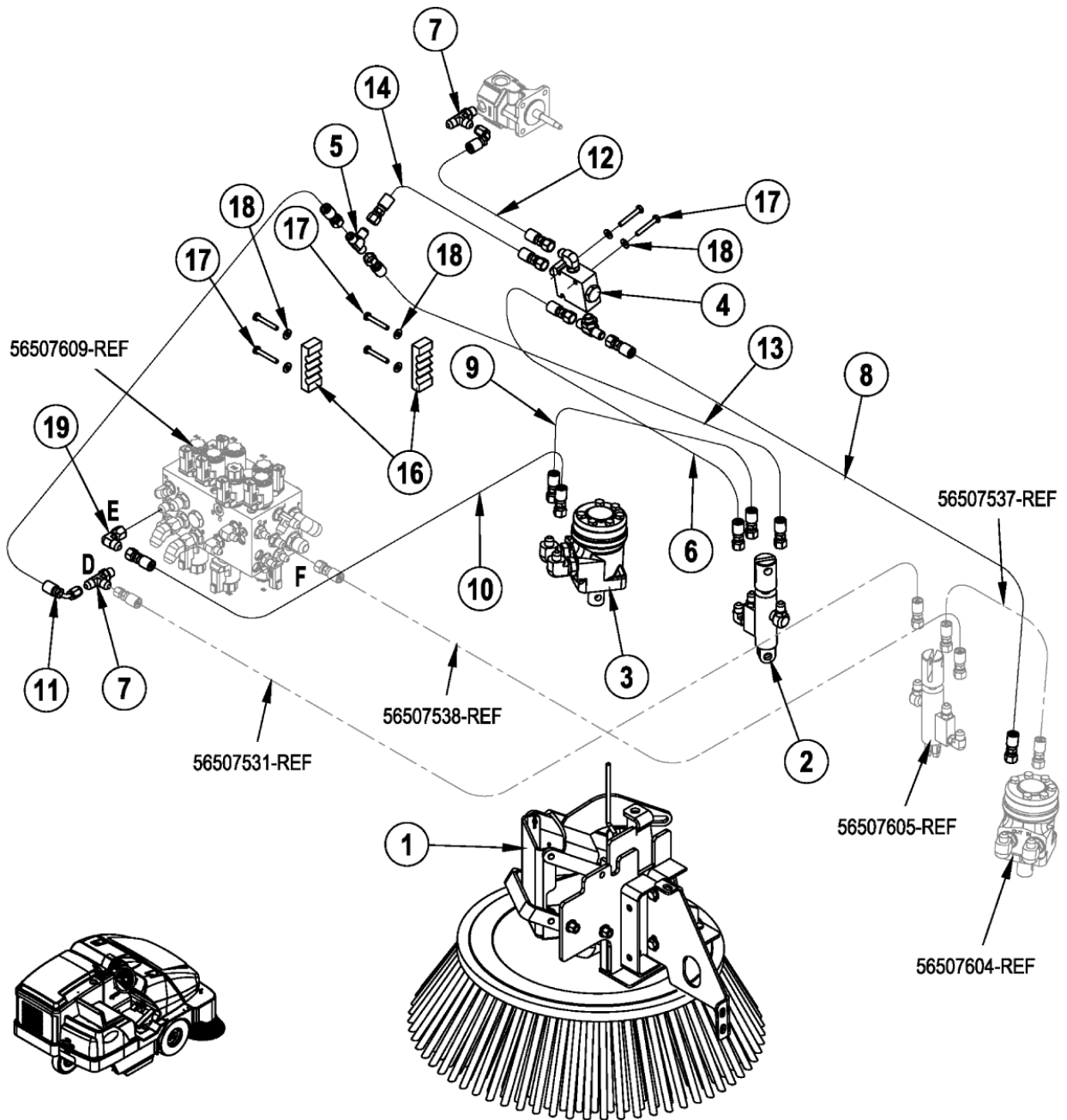
- [1] - COMPLEXITY REDUCTION
- [2] - SEE PI 2017-002
- [3] - EXPIRED ON 9/25/2017
- [4] - EXPIRED ON 03/16/2018
- [5] - PRUNED ACCESSORY
- [6] - EXPIRED ON 02/14/2020
- [7] - NOT SHOWN
NO LONGER AVAILABLE



Pos.	Product no	QTY	Description	Notes
00	56111267	1	OVERHEAD GUARD CANOPY KIT	
01	56002124	4	SCREW10-24 X .62 PNH PH	
02	56111266	1	PLATE CANOPY	
03	56111264	4	BRACKET CANOPY MOUNT	
04	56002768	4	NUT HEX NYL LOC 10-24	
05	56111764	5	GASKET STRIP	[1]

Part Notes:

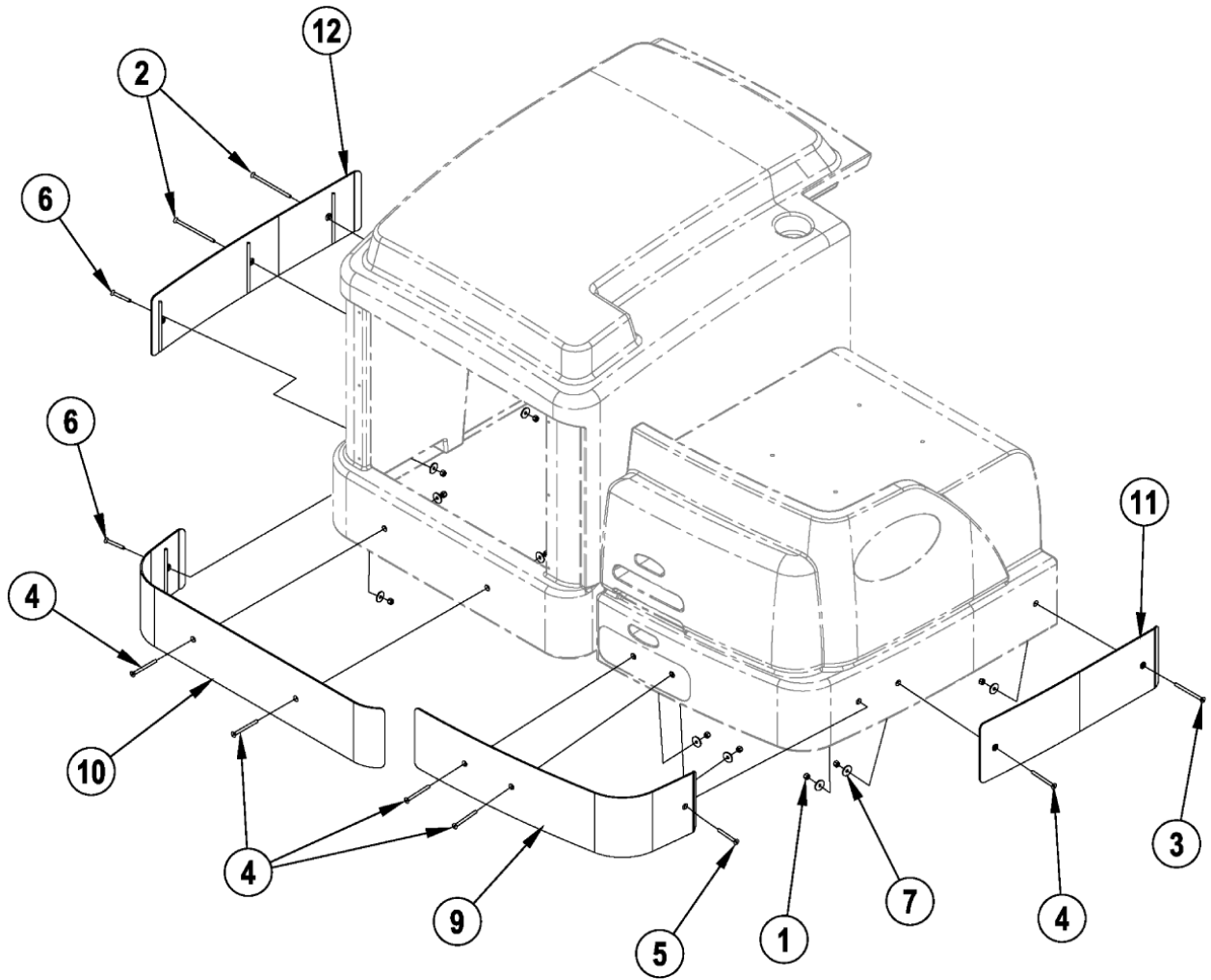
[1] - NON-SALEABLE ITEM



Pos.	Product no	QTY	Description	Notes
00	56507184	1	LEFT HAND SIDE BROOM OPTION	[1]
01	56507026	1	LEFT HAND SIDE BROOM OPTION	
02	56507367	1	LEFT SIDE BROOM CYLINDER ASSY	
03	56507604	1	SIDE BROOM MOTOR ASSEMBLY	
04	56109781	1	VALVE ASSY	
05	56900443	1	TEE E00014	
06	56508305	1	HOSE HYDRAULIC	
07	56900201	2	TEE RUN O/R -4 E00005	
08	56507356	1	HOSE HYDRAULIC	
09	56507537	1	HOSE HYDRAULIC	
10	56507538	1	HOSE HYDRAULIC	
11	56507788	1	HOSE HYDRAULIC	
12	56508308	1	HOSE HYDRAULIC	
13	56508306	1	HOSE HYDRAULIC	
14	56508307	1	HOSE HYDRAULIC	
15	56477613	3	CABLE TIE E00549 RE409S+	[2]
16	56507922	1	CLAMP-HOSE-QUAD-13MM	
17	56365030	1	BUSHING CA334D	
17	56001967	6	SCR HEX 1/4-20 X 1.75	
18	56002098	6	H FLT SAE 1/4	
19	56900303	1	ELBOW 90D W/NUT 6C6X-S E00007	

Part Notes:

- [1] - MULTPL REPL SEE CUST SRVC
 [2] - NOT SHOWN



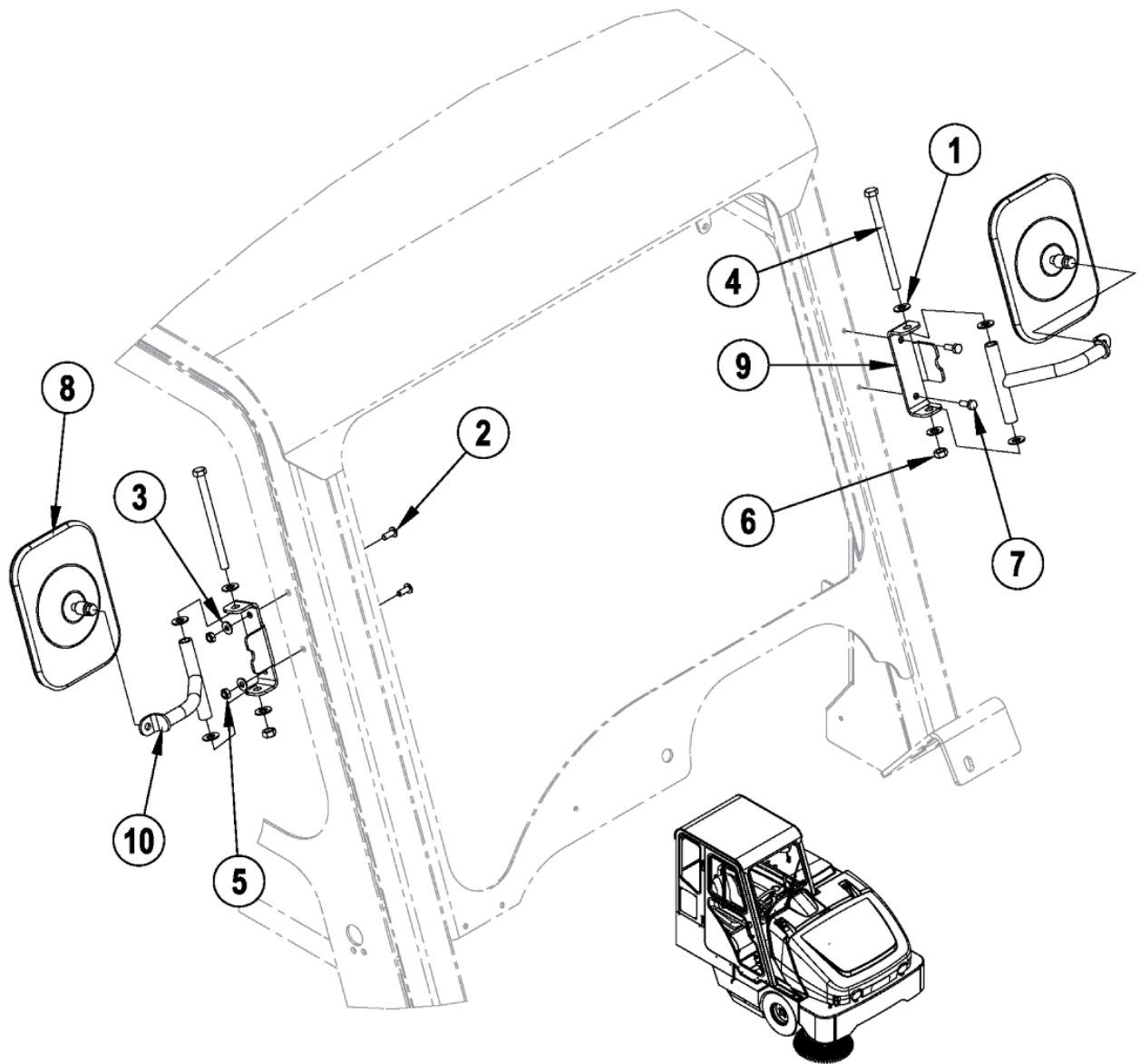
56508815 - Rear Bumper Kit - Cab

SW8000 165 D 4-CYL NIL

2017.11.02

2019.05.14

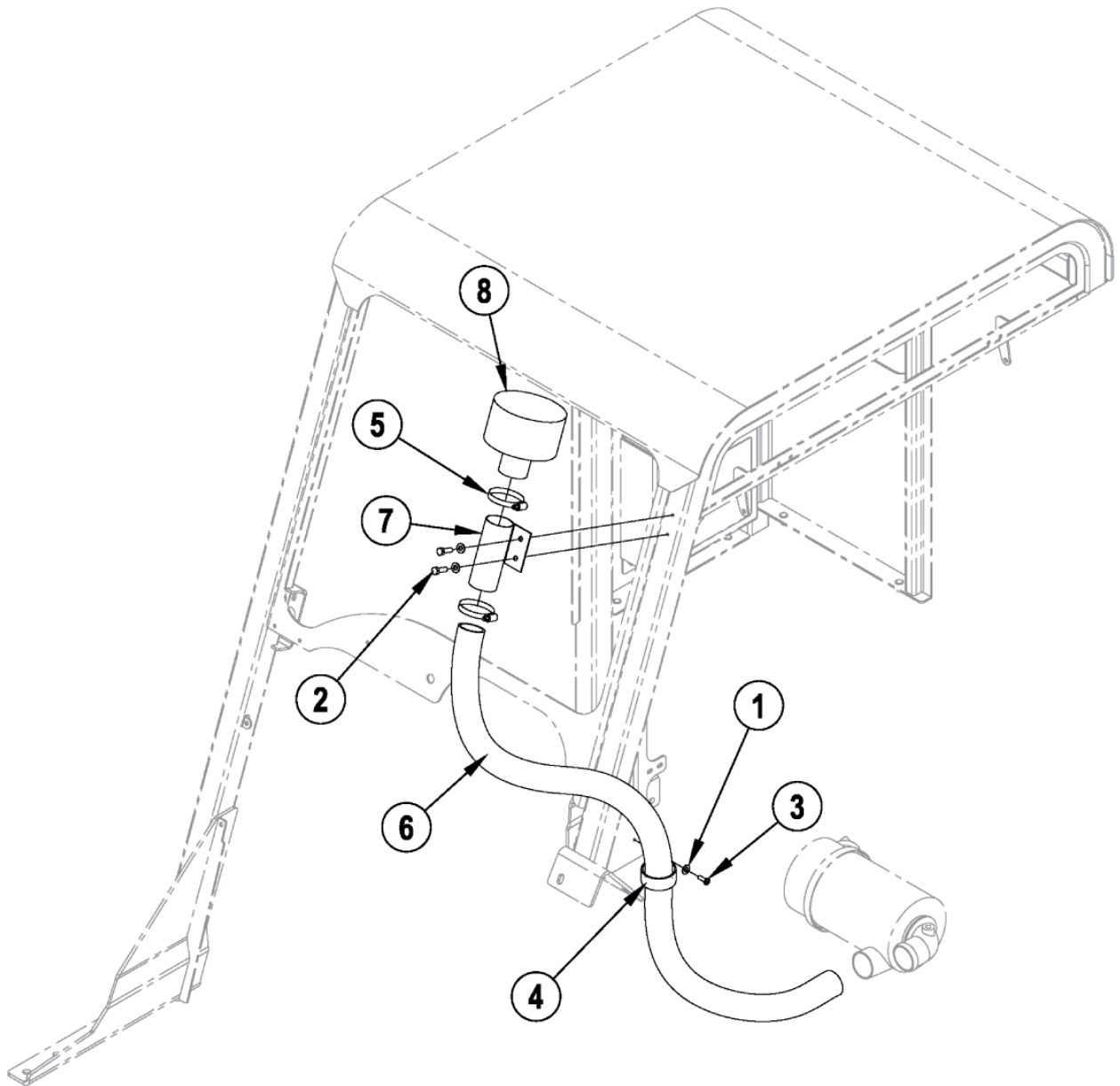
Pos.	Product no	QTY	Description	Notes
00	56385015	1	BRK SIGNL LIGHT/BUMPR KIT-CAB	
1	56002708	6	NUT HEX NYL LOC 1/4-20	
2	56003772	2	SCR FLT SOC 1/4-20 X 4.75	
4	56003774	2	SCR FLT SOC 1/4-20 X 3.00	
6	56003776	2	SCR FLT SOC 1/4-20 X 2.00	
7	56009060	6	WSH FLT SS .260X1.000X.074	
10	56107731	1	LT REAR BUMPER WELDT	
12	56107733	1	LT BUMPER WELDT	



Pos.	Product no	QTY	Description	Notes
00	56508663	1	MIRROR KIT FOR CAB AND OHG	[1]
1	56002063	8	WSH FLT SAE 3/8	
2	56002066	2	SCR PAN PHIL 1/4-20 X .62	[2]
3	56002098	2	H FLT SAE 1/4	[2]
4	56002506	2	SCR HEX 3/8-16 X 5.00	
5	56002840	2	NUT HEX NYL LOC-THIN 1/4-20	[2]
6	56002841	2	NUT HEX NYL LOC-THIN 3/8-16	
7	56009018	4	SCR HEX THD FORM 1/4-20X .75	[3]
8	56508626	2	MIRROR WEST COAST	
9	56508658	2	BRACKET MIRROR SUPPORT	
10	56508662	2	WELDMENT MIRROR SUPPORT	

Part Notes:

- [1] - COMPLEXITY REDUCTION
- [2] - ONLY USED FOR CAB INSTALLATION
- [3] - QTY OF 2 USED FOR CAB INSTALLATION



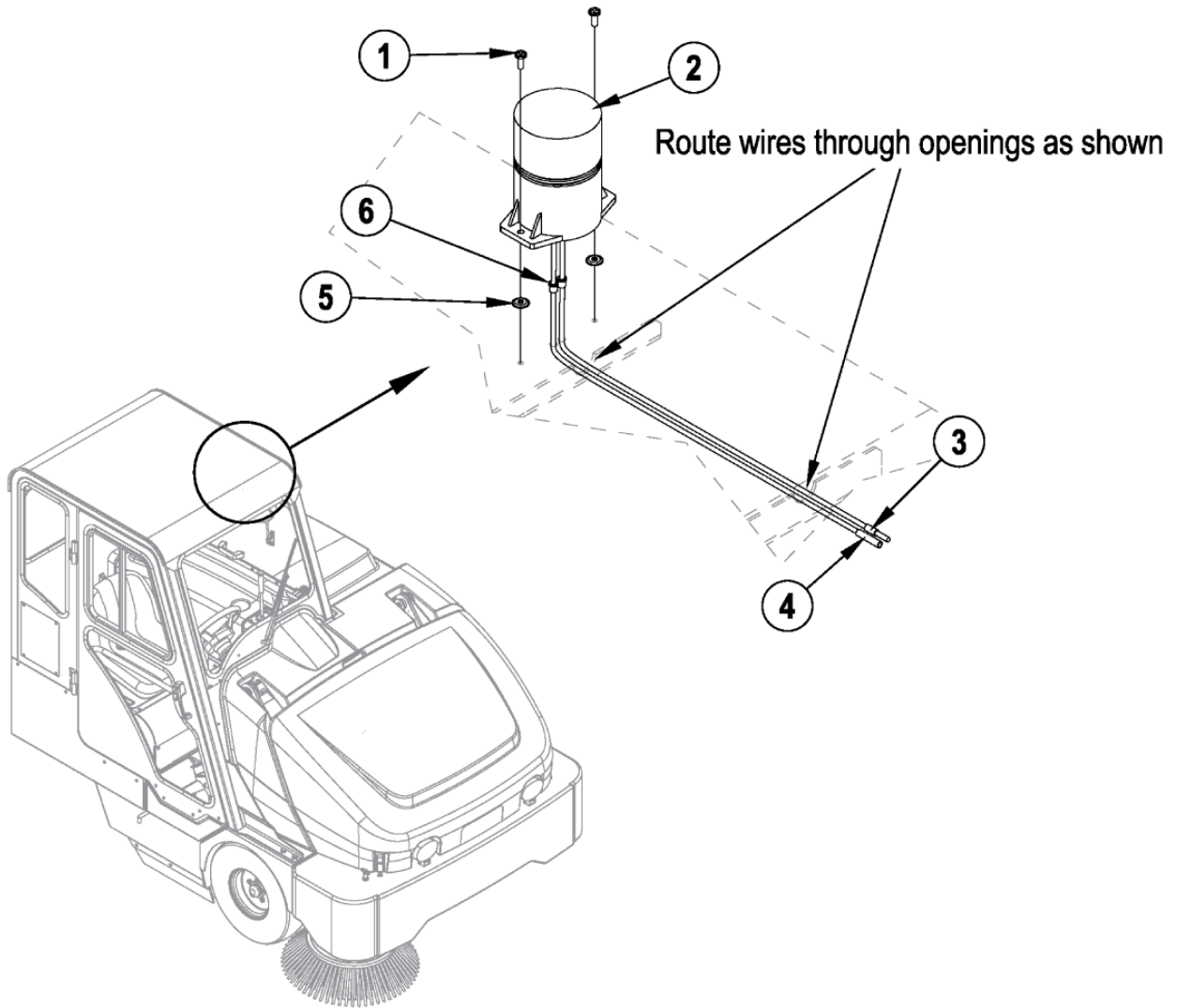
56508826 - Raised Air Intake Kit - Cab

SW8000 165 D 4-CYL NIL

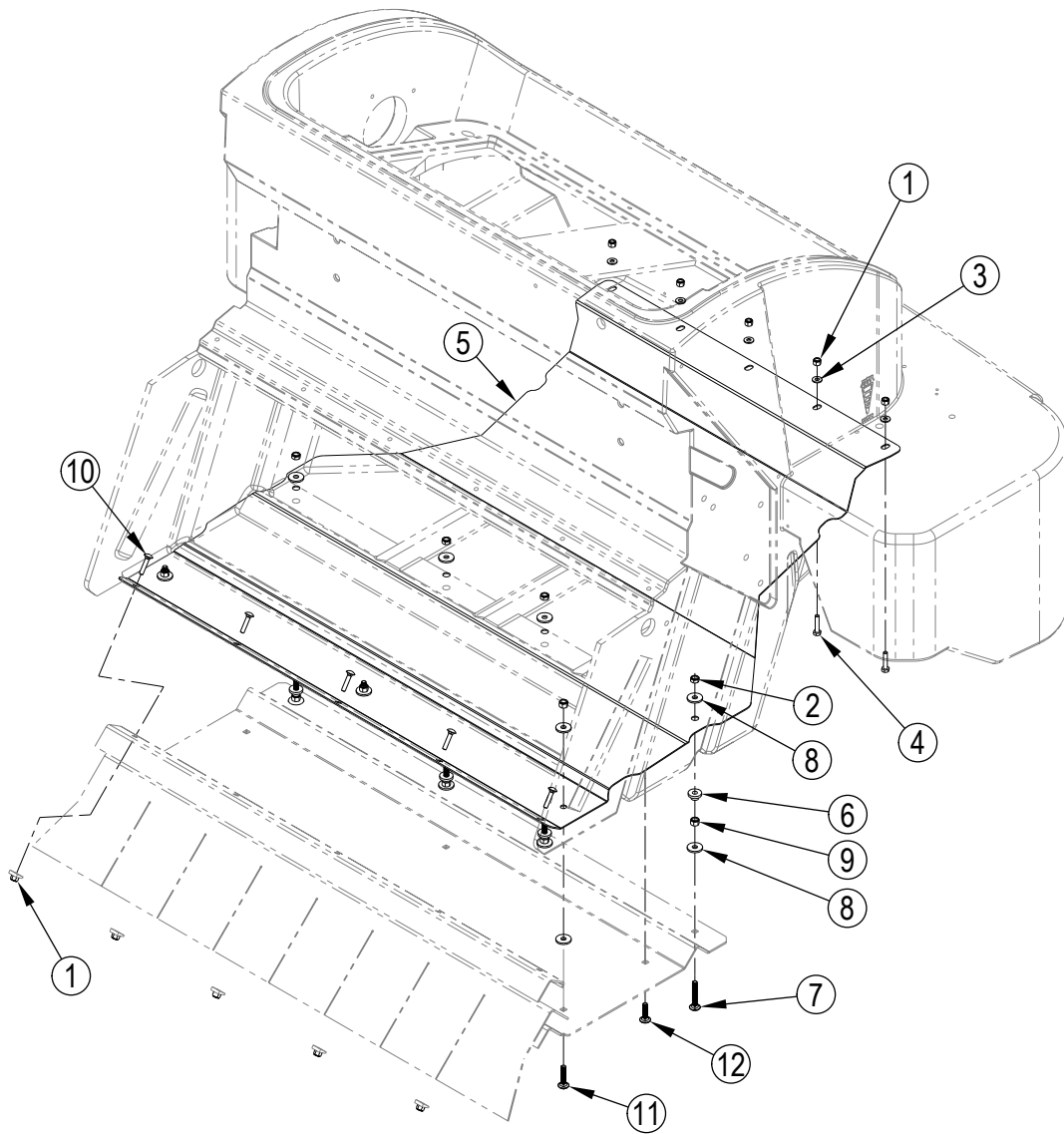
2017.11.02

2013.04.02

Pos.	Product no	QTY	Description	Notes
00	56508826	1	RAISED INTAKE FILTER CAB	
01	56001939	3	WSH FLT SAE 5/16	
02	56002221	2	SCR HEX 5/16-18 X 1.00	
03	56009126	1	SCR PANPHILTHD FORM 1/4-20X.75	
04	56315257	1	CLAMP P	
05	56440213	2	CLAMP HOSE SAE 32E00047	
06	56396032	1	HOSE-VAC-2.000 X 60.00	
07	56508014	1	BRACKET INTAKE MOUNT	
08	7-24-04107	1	AIR CLEANER ASSY-D722PLASTIC	



Pos.	Product no	QTY	Description	Notes
00	56508825	1	AMBER STROBE CAB	
1	56009029	2	SCR PANPHIL THD FORM 10-24X.50	
2	56510893	1	BEACON-WARNING LED	
3	2-00-04551	1	TERMINAL-BULLET MALE	
4	2-00-04584	1	TERMINAL-BULLET FEMALE	
5	2-00-01974	2	WSHR-SEALING-SST-SPCL	
6	2-00-04200	2	BUSHING-SNAP	



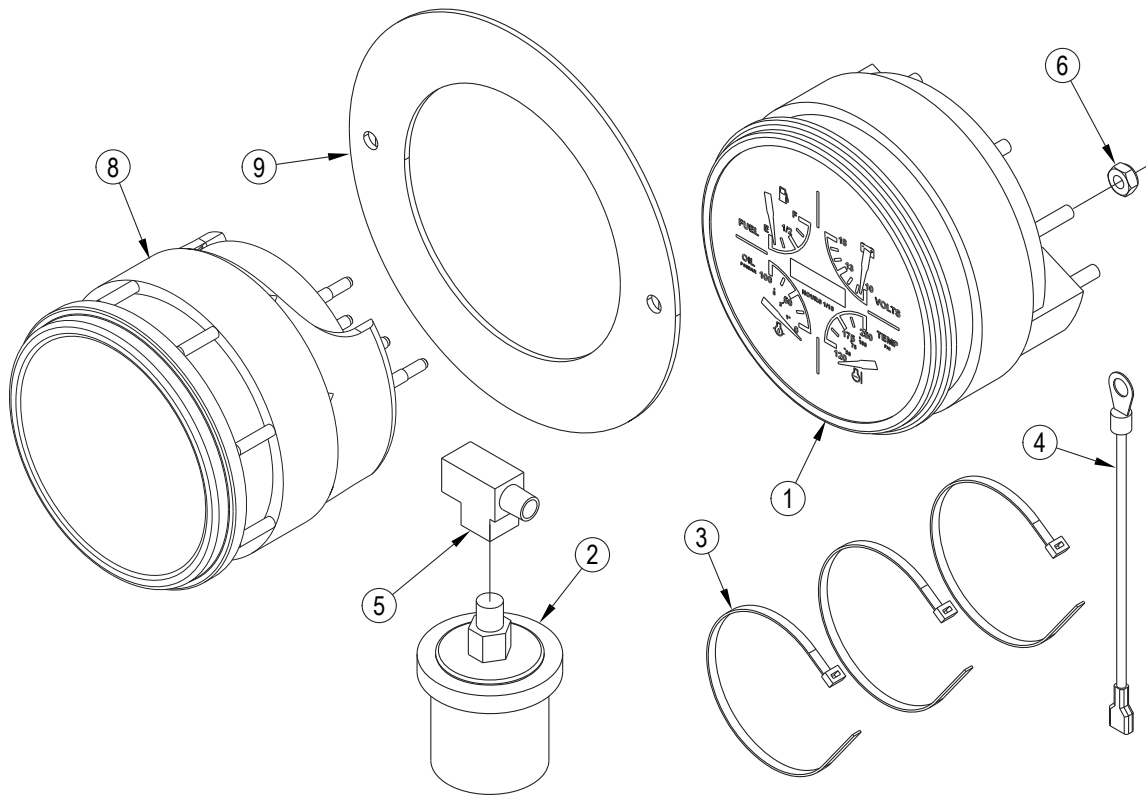
56508889 - Hopper Bottom Plate Kit

SW8000 165 D 4-CYL NIL

2019.05.09

2019.05.09

Pos.	Product no	QTY	Description	Notes
	56508889	1	HOPPER BOTTOM PLATE KIT	
1	56002491	10	NUT HEX NYL LOC SS 1/4-20	
2	56002851	4	NUT HEX NYL LOC-THIN SS5/16-18	
3	56002859	5	WSH FLT SAE SS 1/4	
4	56002897	5	SCR HEX SS 1/4-20 X 1.25	
5	56508890	1	HOPPER BOTTOM PLATE	
6	7-09-01057	4	BUSHING-LIFT-BRUSH	
7	56004070	4		
8	56009382	17	WSH-FLT SS .344 X 1.000 X .109	
9	56002856	10	NUT HEX NYL LOC SS 5/16-18	
10	56003714	5	SCR-CARR-SS 1/4-20 X 1.25	
11	56004071	3		
12	56004072	3		



Pos.	Product no	QTY	Description	Notes
	56107673	1	KUBOTA LPG GAUGE KIT-4 CYL	
	56107674	1	KUBOTA GASOLINE GAUGE KIT-4CYL	
1	56304589	1	GAUGE 3 IN 1	
2	56305619	1	SENDER PRESSURE	
3	2-00-04345	6	15.35 IN CABLE TIE BLK NYLON	
4	56507679	1	WIRE ASM YEL/BLK 18-11	
5	56107675	1	TEE STREET-SPECIAL	
6	56002562	8	NUT KEPS 8-32	
7	56107787	1	HARNESS-OIL PRESS SNDR-LPG	
8	56394274	1		[1]
9	56394275	1		

Part Notes:

[1] - TSB-FC-2019-020 Sweeper Gauge Replacement

