

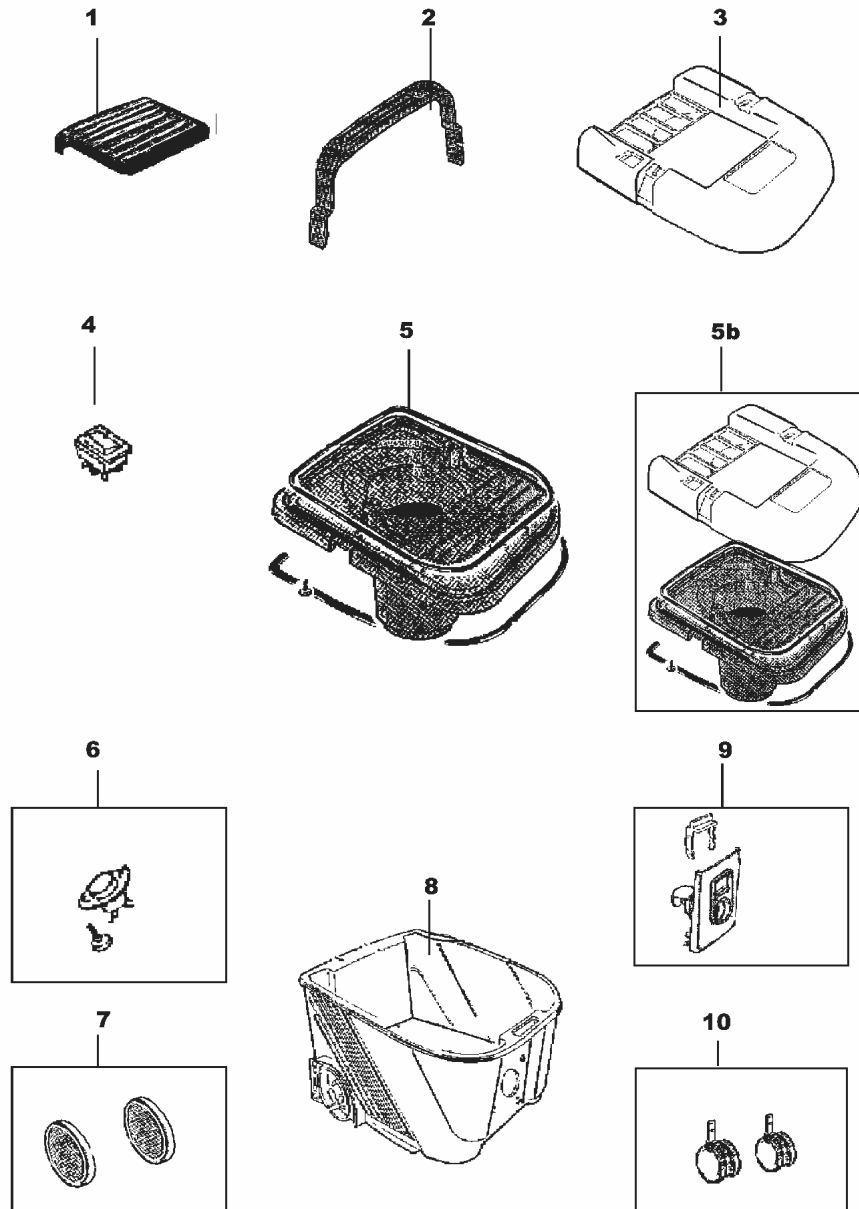
PARTS LIST



2020.12.17

TABLE OF CONTENTS

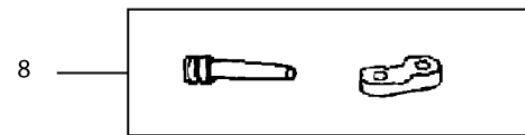
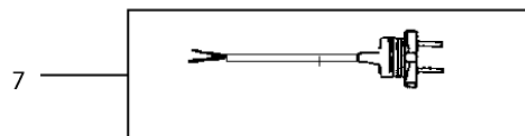
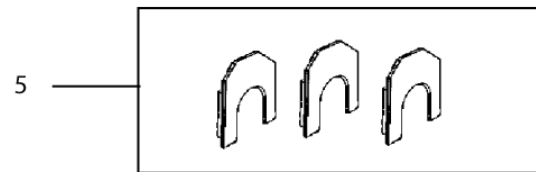
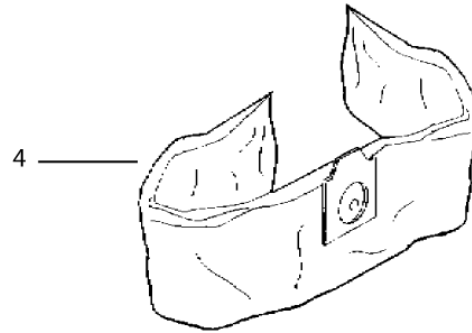
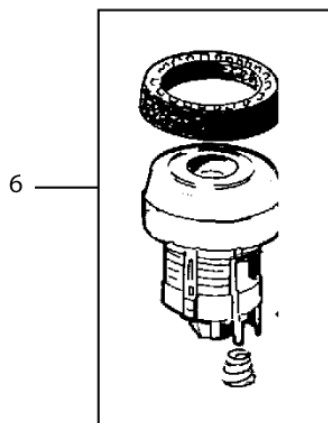
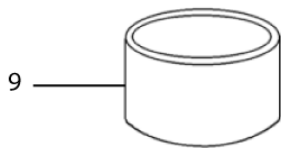
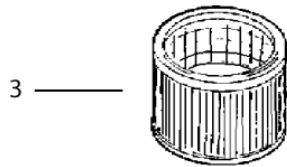
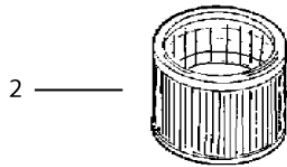
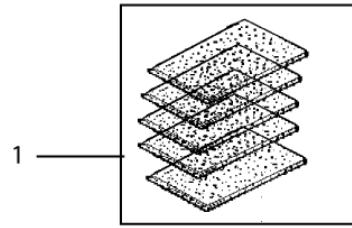
Cover and Container	1
Filter, fan and cord	3
Nozzles, hose and tube	5
RECOMMENDED SPARE PARTS	7



Pos.	Product no	QTY	Description	Notes
00	140 7787 010	1	BOX 1157 X 1648	[1]
01	140 6873 500	1	GRATING	
02	140 6872 500	1	HANDLE BLACK KIT	
02	140 6872 020	1	HANDLE IN PINK	[2]
03	140 6871 530	1	COVER UPPER GREEN	[1]
03	140 6871 520	1	COVER UPPER UL BLUE	[3]
03	140 6871 500	1	COVER UPPER GREY	[2]
03	140 6871 590	1	COVER UPPER RED	[1]
04	140 5496 510	1	SWITCH UL KIT	
05	140 6870 500	1	COVER LOWER KIT	[2]
05	140 6870 510	1	COVER LOWER UL KIT	[2]
05	140 6870 520	1	COVER LOWER UL KIT	[2]
06	140 3894 500	1	THERMO PROTECTION KIT	
07	140 8458 500	1	WHEEL REAR KIT	
08	140 6408 600	1	CONTAINER ALTOBLUE UZ934	[2]
08	140 6408 510	1	CONTAINER GREY	[2]
08	140 6408 610	1	CONTAINER ORANGE UZ934	[1]
08	140 6408 500	1	CONTAINER BLUE	[1]
08	140 6408 520	1	CONTAINER YELLOW UZ934	[2]
09	140 7205 500	1	TRIGGER KIT	[2]
10	140 6422 500	1	WHEELS LINK 50MM	

Part Notes:

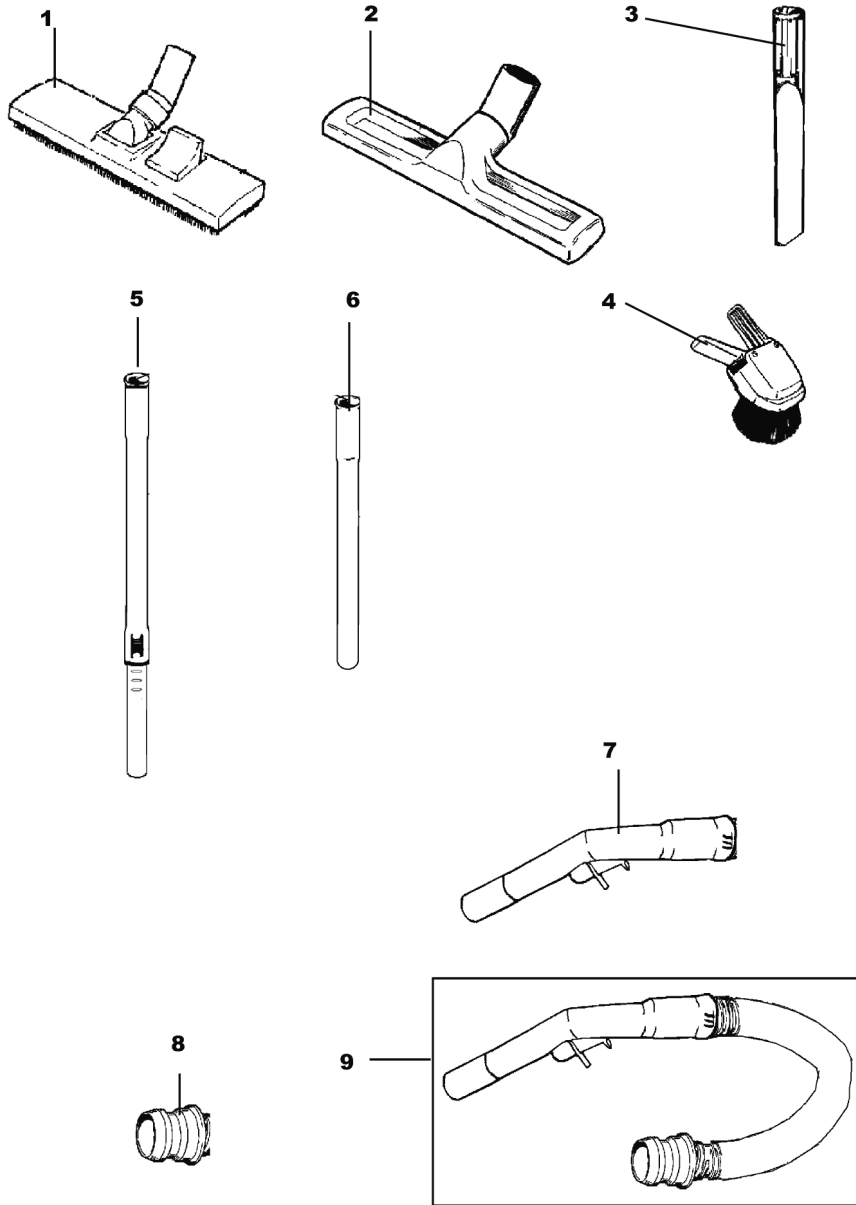
- [1] - NO LONGER AVAILABLE
- [2] - STOCK COVERS GUARANTEE
- [3] - STOCK COVERS GUARANTEE
 Part number 140 6871 520 cover upper UL blue, is cancelled.
 The cover upper UL blue part, is instead included in item 5b part number 140 6870 520
 Cover kit UL Alto blue. This kit is valid for UL-approved machines.



Pos.	Product no	QTY	Description	Notes
00	140 8163 010	1	NYLON FILTER	[1]
4	140 6879 500	5	EXHAUST FILTER KIT	
2	140 6880 500	1	MAIN FILTER KIT UZ934	
3	140 7542 010	1	EPA FILTER E12 SP	[2]
4	140 6905 020	10	DUST BAG 10-PCS	
4	140 6905 010	1	DUST BAG 5-PCS	
4	140 5612 000	1	CLOTH DUST BAG	[3]
5	140 6744 500	3	LOCK WASHER 3 PIECES	[4]
6	140 7902 510	1	FAN UNIT KIT DOMEL 110-120V	
6	140 7902 530	1	FAN UNIT KIT DOMEL 100V	
6	140 7902 520	1	FAN UNIT KIT DOMEL 240V	
6	140 7902 500	1	FAN UNIT KIT DOMEL 230V	
7	140 6423 550	1	CORD US PLUG L 15M	
7	140 3859 040	1	CORD SET	[5]
7	140 6423 590	1	CORD EU RED L 12.7M	[4]
7	140 6423 570	1	CORD JP L 15M	
7	140 6423 530	1	CORD UK L 15M	
7	140 6423 510	1	CORD EU L 10M	
7	140 6423 500	1	CORD EU L 15M	
7	140 6423 580	1	CORD AU L 15.5M	
7	140 6423 560	1	CORD US L 10M GROUNDED	
7	140 6423 520	1	CORD KIT CH L 15M	[6]
7	140 6423 540	1	CORD UK L 10M	
8	140 7035 510	1	PROTECTION SLEEVE US KIT	
8	140 7035 500	1	PROTECTION SLEEVE KIT	
9	140 6667 040	1	FILTER L 130	

Part Notes:

- [1] - not shown
GUARANTEE DATE EXPIRED
- [2] - PRUNED – NO REPLACEMENT
- [3] - NO LONGER AVAILABLE
- [4] - STOCK COVERS GUARANTEE
- [5] - GUARANTEE DATE EXPIRED
(10.5m) US
- [6] - Machine outphased 2010



Pos.	Product no	QTY	Description	Notes
01	11980300	1	COMBO-FL. NOZZ. GREY 270MM	
02	140 6701 500	1	MULTI SURF NOZZLE DIAM.32 MM	
03	010 3098 500	1	CREVICE NOZZLE	
04	011 3104 500	1	SMALL COMBI NOZZLE	
05	011 8130 500	1	TELESCOPIC TUBE ALUMINIUM	
06	011 6431 500	1	EXTENSION TUBE ALUMINIUM	
07	140 7584 500	1	HOSE HANDLE CPL.	
08	140 3304 500	1	INLET SLEEVE D32	
09	140 6430 500	1	HOSE PLASTIC D32	

RECOMMENDED SPARE PARTS

UZ 934

2017.11.02

2018.05.23

Pos.	Product no	QTY	Description	Notes
01	140 6423 560	1	CORD US L 10M GROUNDED	
01	140 6423 580	1	CORD AU L 15.5M	
01	140 6880 500	1	MAIN FILTER KIT UZ934	
01	140 7902 520	1	FAN UNIT KIT DOMEL 240V	
01	140 6423 520	1	CORD KIT CH L 15M	[1]
01	140 7205 500	1	TRIGGER KIT	[2]
01	140 6408 510	1	CONTAINER GREY	[2]
01	140 6667 040	1	FILTER L 130	
01	140 7902 500	1	FAN UNIT KIT DOMEL 230V	
01	140 6422 500	1	WHEELS LINK 50MM	
01	140 6423 500	1	CORD EU L 15M	
01	140 6423 540	1	CORD UK L 10M	
01	140 6423 530	1	CORD UK L 15M	
01	140 3894 500	1	THERMO PROTECTION KIT	
01	140 6408 600	1	CONTAINER ALTOBLUE UZ934	[2]
01	140 6744 500	1	LOCK WASHER 3 PIECES	[2]
01	140 5612 000	1	CLOTH DUST BAG	[3]
01	140 5496 510	1	SWITCH UL KIT	
01	140 6423 510	1	CORD EU L 10M	
01	140 6423 590	1	CORD EU RED L 12.7M	[2]
01	140 7542 010	1	EPA FILTER E12 SP	[4]
01	140 6408 520	1	CONTAINER YELLOW UZ934	[2]
01	140 6905 020	1	DUST BAG 10-PCS	
01	140 6408 610	1	CONTAINER ORANGE UZ934	[3]
01	140 6408 500	1	CONTAINER BLUE	[3]
01	140 7902 510	1	FAN UNIT KIT DOMEL 110-120V	
01	140 6423 570	1	CORD JP L 15M	
01	140 6423 550	1	CORD US PLUG L 15M	
01	140 8458 500	1	WHEEL REAR KIT	
01	140 7902 530	1	FAN UNIT KIT DOMEL 100V	

Part Notes:

- [1] - Machine outphased 2010
- [2] - STOCK COVERS GUARANTEE
- [3] - NO LONGER AVAILABLE
- [4] - PRUNED – NO REPLACEMENT

