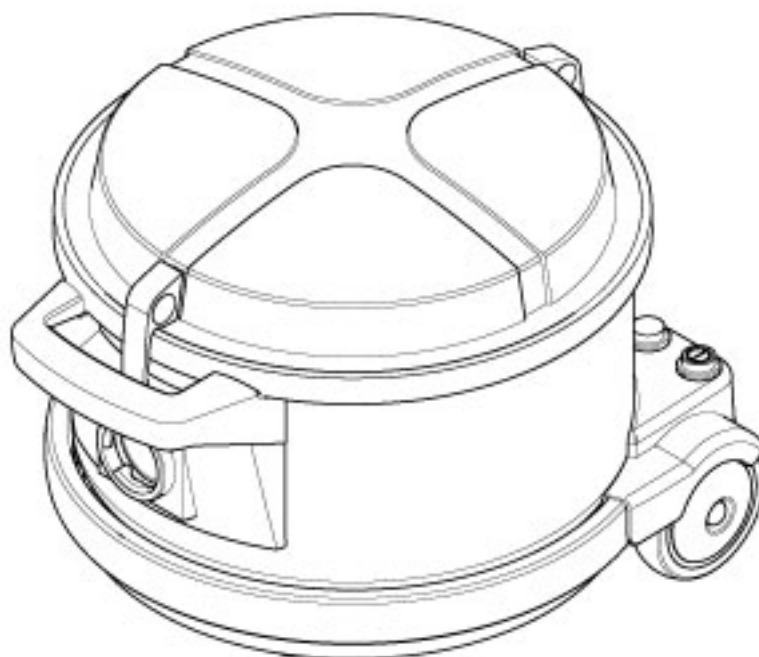


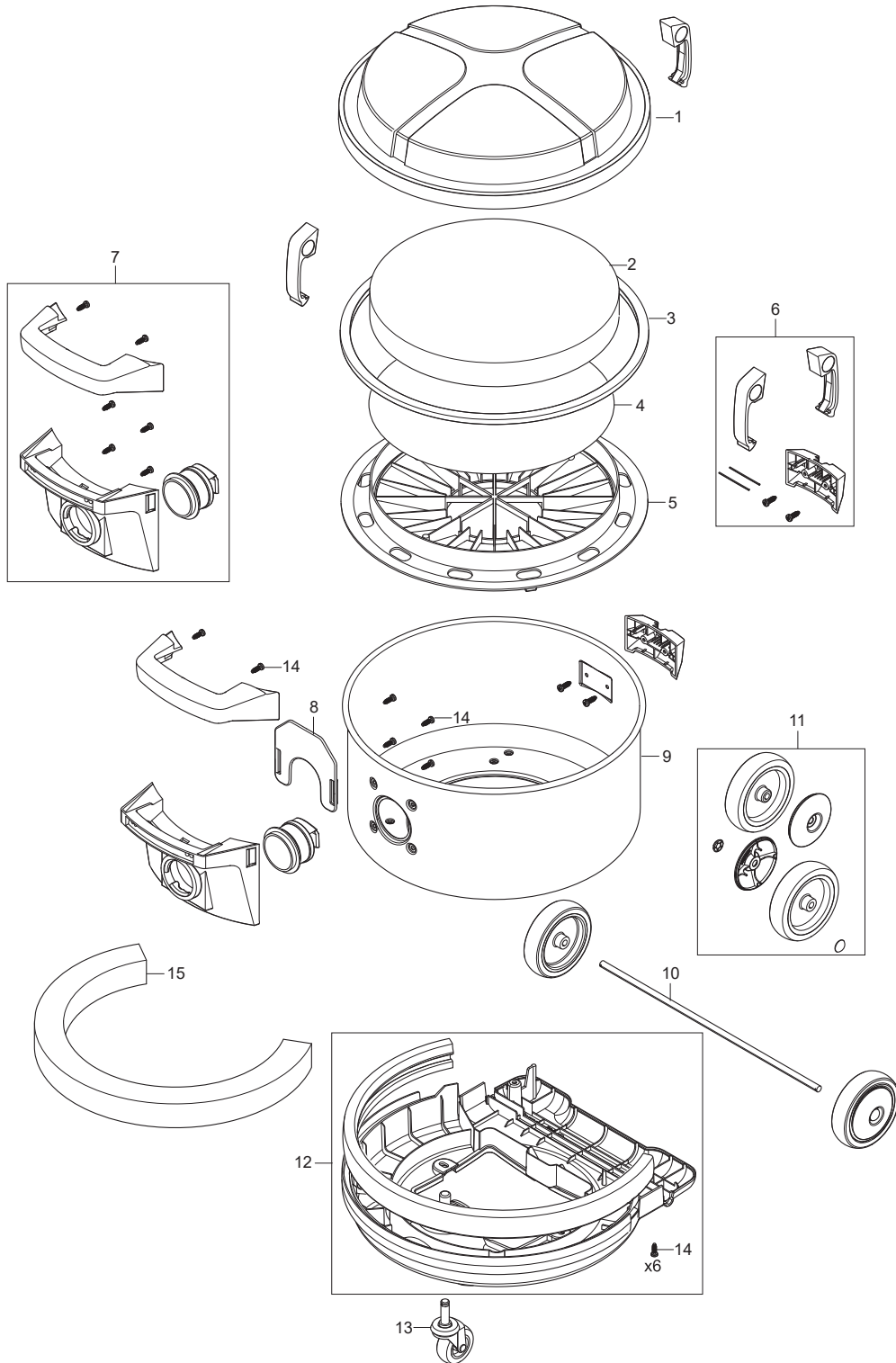
PARTS LIST



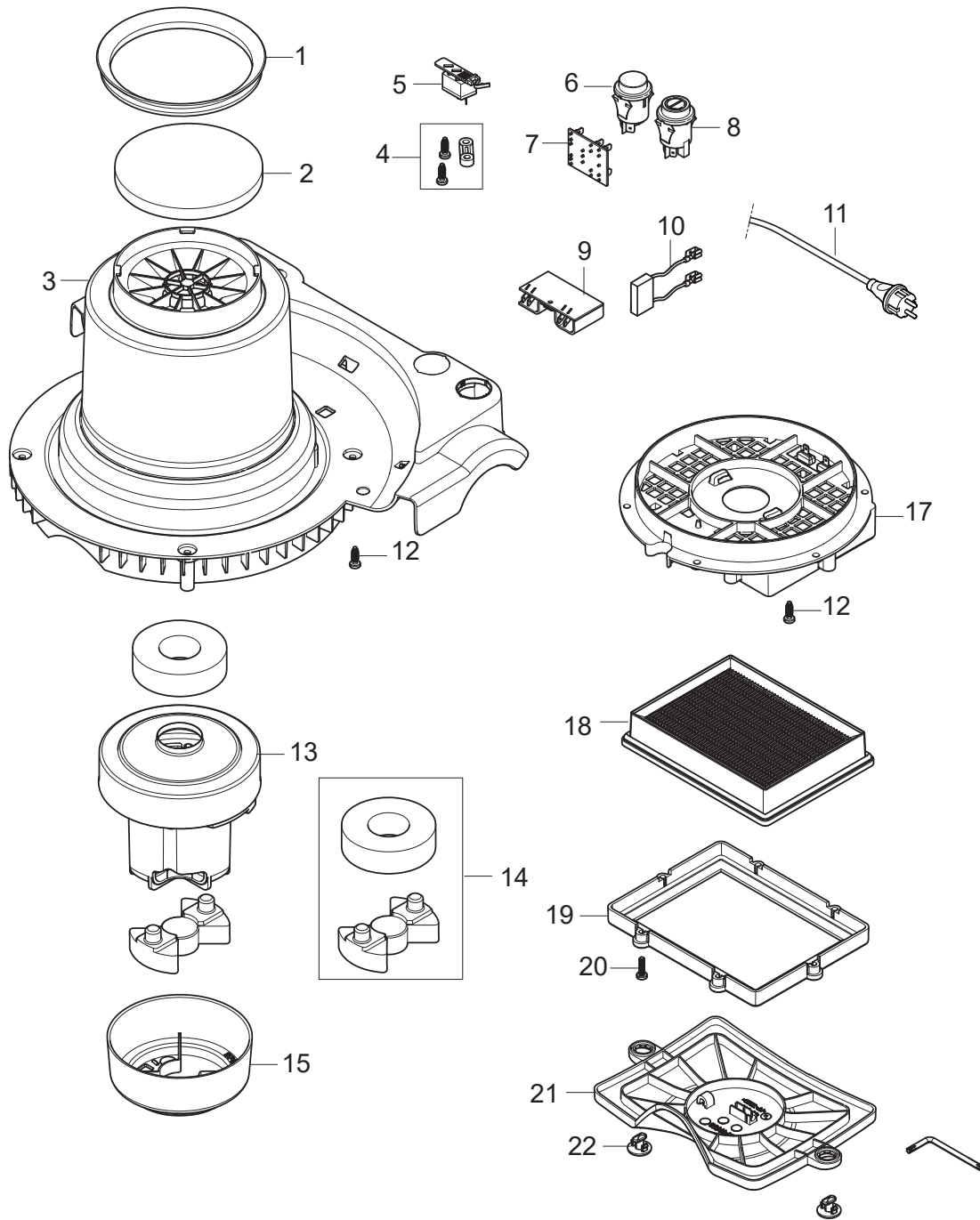
2020.10.13

TABLE OF CONTENTS

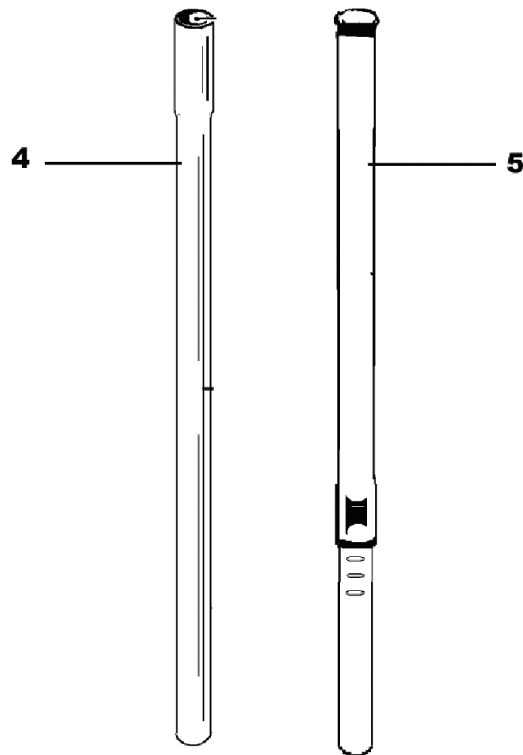
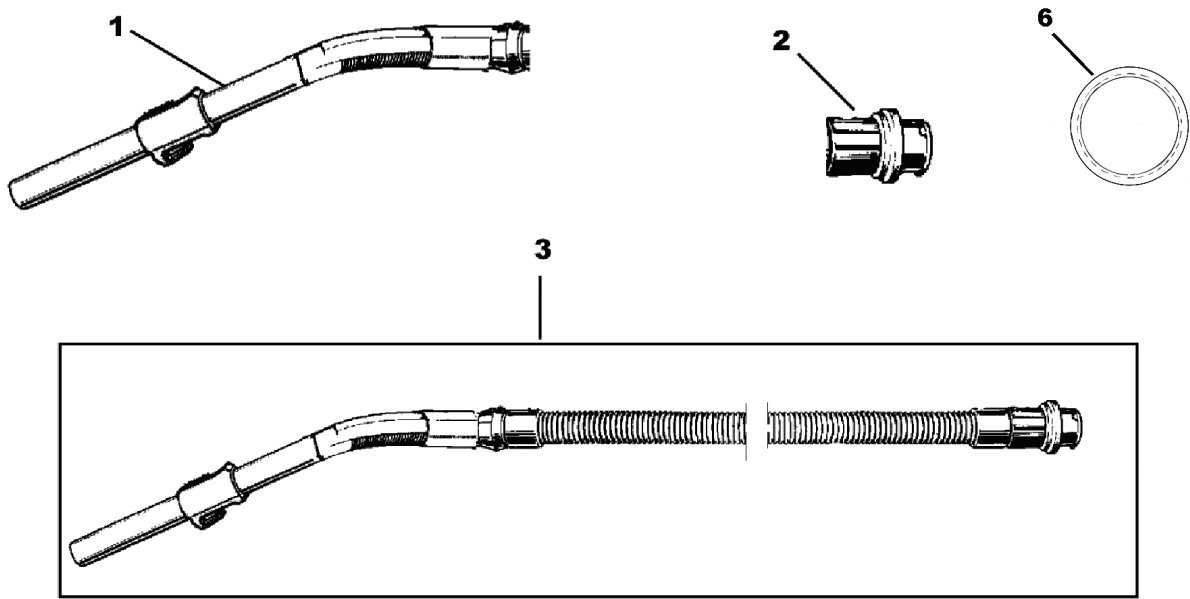
Top and container	1
Motor, filter and electrics	3
Hose and tubes	5
Nozzles Ø 32 mm	7



Pos.	Product no	QTY	Description	Notes
1	140 7801 500	1	LID W/FILTER 930-SERIES	
2	140 1515 500	1	FILTER MAIN FOAM GD930	
3	140 0061 030	1	GASKET	
4	140 3260 500	1	FILTER 5.PCS	
5	140 2911 000	1	FILTER CASING	
6	140 7832 500	1	LATCHES GD 930/S2	
7	140 7800 500	1	HANDLE GD 930/S2	
8	140 7014 500	1	LOCKING DUSTBAG 3 PCS	
9	140 7020 510	1	CONTAINER CHROMED	
10	140 5059 000	1	SHAFT L 369MM DIAM. 8MM	
11	140 5055 500	1	WHEEL REAR 2-P 930-SERIES	
12	107418905	1	BOTTOM PLATE KIT VP930 BLACK	
12	107418906	1	BOTTOM PALTE KIT VP930 SILVER GREY	
13	140 7025 500	1	WHEEL FRONT 1-P	
14	140 9214 070	10	SCREW PTK 50X14	
15	140 7022 500	1	MUFFLER STRIP	



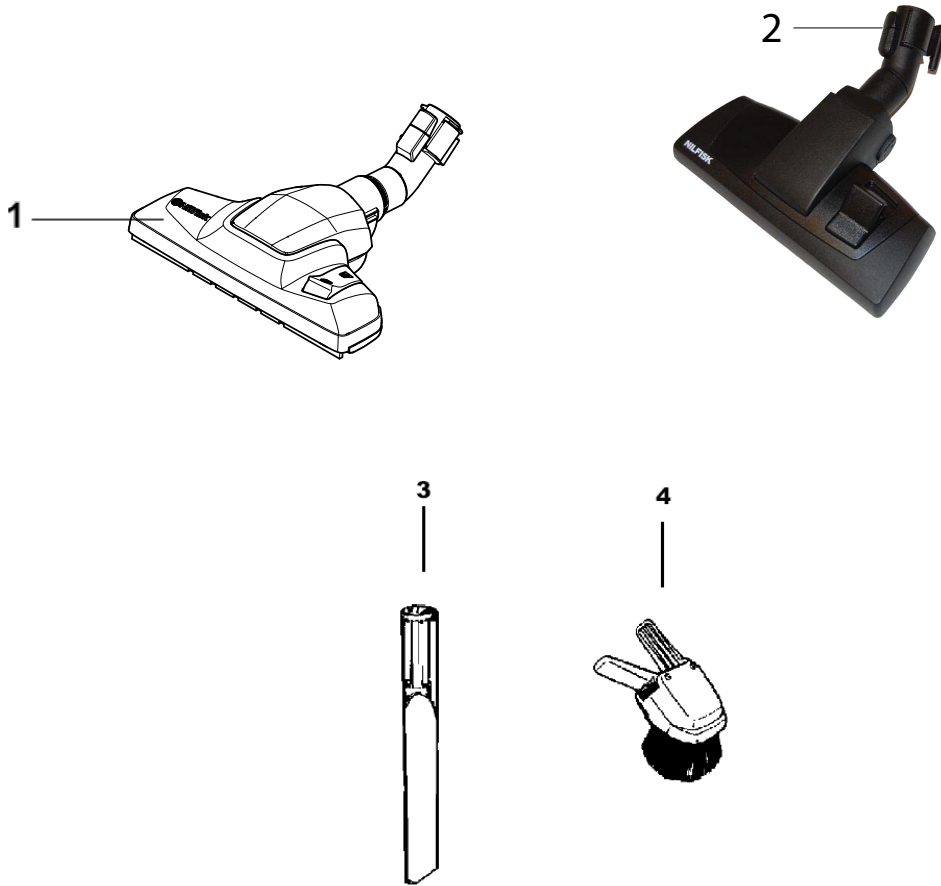
Pos.	Product no	QTY	Description	Notes
1	107418901	1	GASKET FILTER SEAL	
2	140 1535 510	1	MOTOR FILTER	
3	107418902	1	STAND VP930 2S BLACK	
3	107418903	1	STAND VP930 1S SILVER GREY	
3	107418904	1	STAND VP930 1S BLACK	
4	107418915	1	ANTI-STRAIN CLIP KIT	
5	140 7665 500	1	OUTLET ELECT.15A 250V	
6	140 7023 500	1	SWITCH SPEED FOR 930S2	
7	140 7024 500	1	BOARD ANTI STATIC	
8	107408927	1	SWITCH ON/OFF 930-SERIES	
9	140 7026 500	1	2S CIRCUIT BOARD 220-240V KIT	
10	140 8166 010	1	CAPACITOR	
11	140 6423 500	1	CORD EU L 15M	
11	107407565	1	CORD SET ORANGE 15.5M - KIT	
12	140 9214 070	1	SCREW PTK 50X14	
13	107418907	1	FAN UNIT 220-240V 450W	
13	107418650	1	FAN UNIT 220V-240V EU ONLY	
14	107418908	1	MOTOR SUPPORT	
15	107418909	1	ADAPTER F. TURBINE VP930	
17	107418911	1	FILTER HOLDER W.INSERTS VP930	
18	147 1250 600	1	HEPA FILTER	
19	107418809	1	HEPA SUPPORT FRAME	
20	107418912	1	SCREW M4X16 PANHD TX20	
21	107418913	1	LID F. BOTTOM VP930 BLACK	
21	107418914	1	LID F. BOTTOM VP930 SILVER GREY	
22	107413069	2	Q TURN	



Pos.	Product no	QTY	Description	Notes
1	140 5116 500	1	HOSE HANDLE ALU/RUBBER DIAM.32	
2	140 3846 500	1	CUFF W.BAYONET COUPL.D32	
3	140 2782 500	1	HOSE ALU.HANDLE D32 1.9 m	
3	140 2782 030	1	HOSE CPL 4M D 32MM	
3A	140 2782 000	1	HOSE CPL. 7.5 M Ø32	[1]
4	011 6431 500	1	EXTENSION TUBE ALUMINIUM	
5	011 8130 500	1	TELESCOPIC TUBE ALUMINIUM	
6	010 9299 540	1	GASKET	

Part Notes:

[1] - Ground



Pos.	Product no	QTY	Description	Notes
1	128501107	1	NA38 COMBI NOZZLE WO CLICK FIT	[1]
1	107418965	1	NA38 COMBI NOZZLE WO CLICK KIT	[2]
2	107417790	1	COMBI NOZZLE RD295P W.CLIP	
3	010 3098 500	1	CREVICE NOZZLE	
4	011 3104 500	1	SMALL COMBI NOZZLE	

Part Notes:

- [1] - In 4C box
- [2] - ECO

