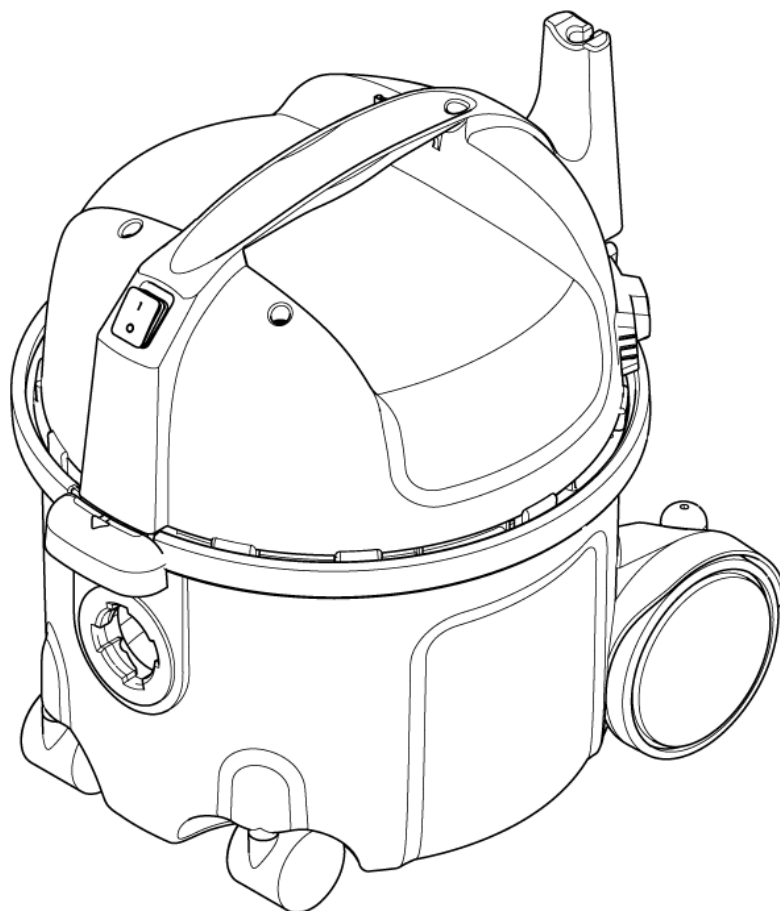


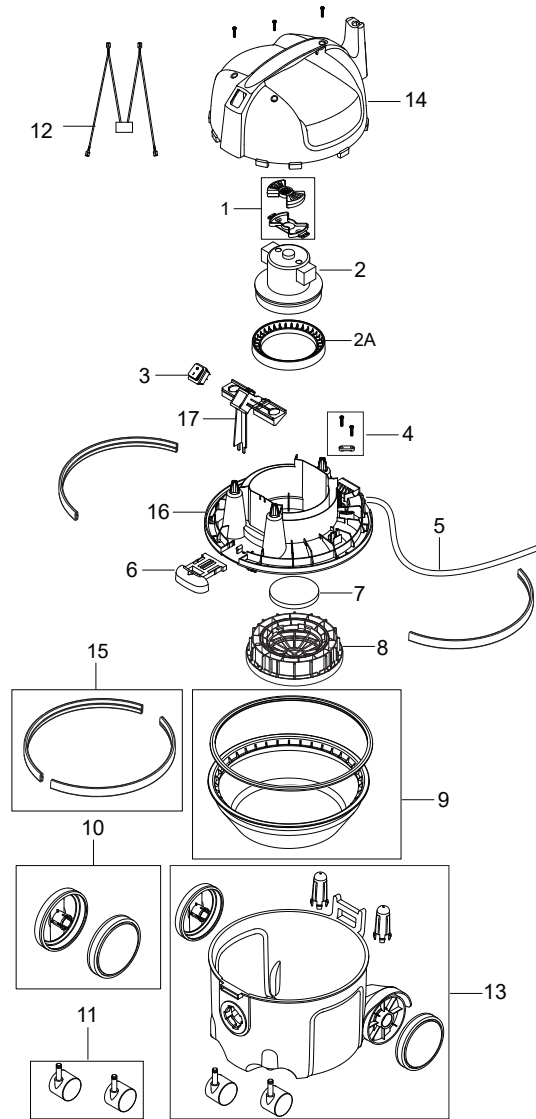
PARTS LIST



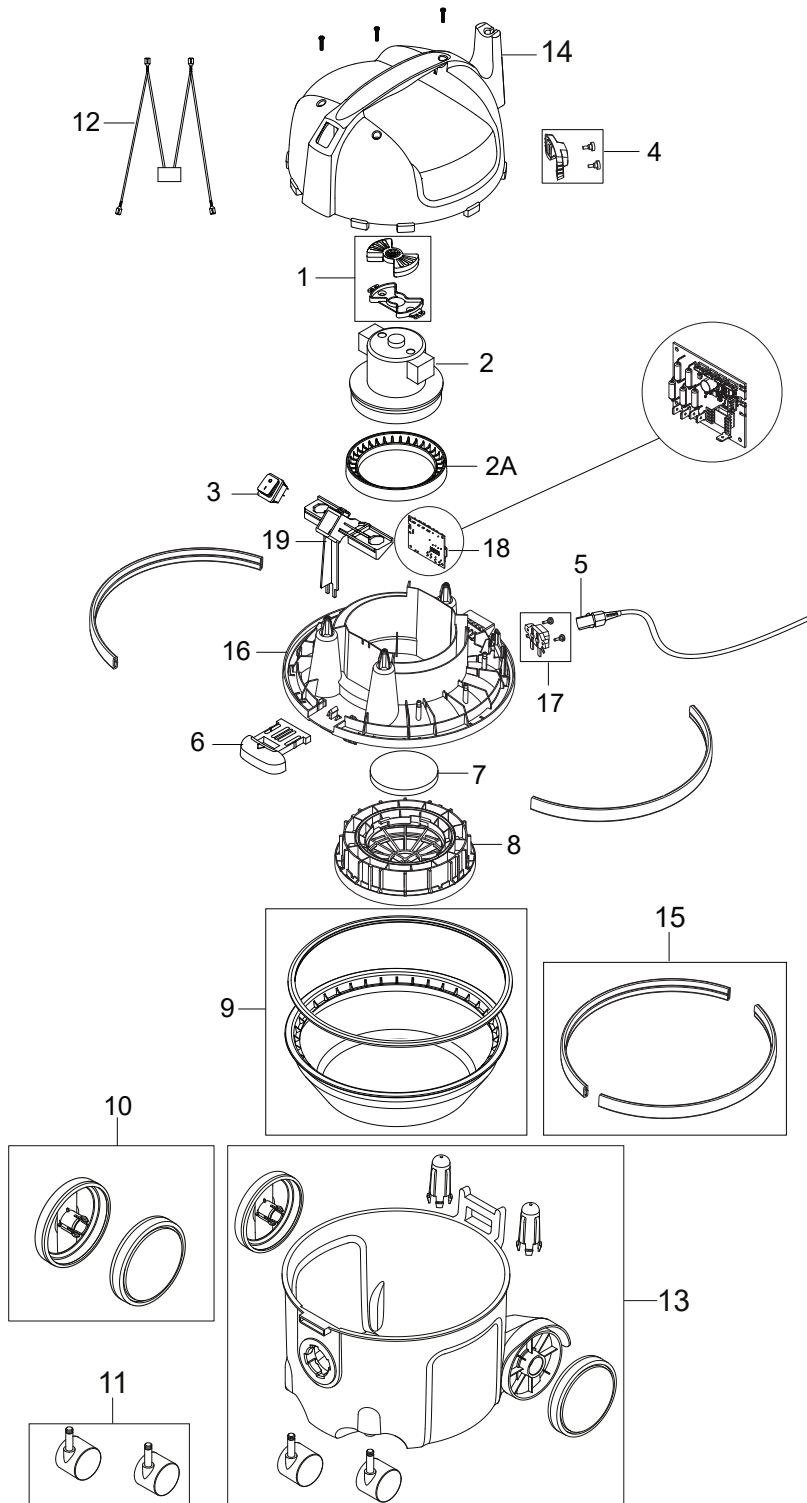
2021.02.18

TABLE OF CONTENTS

Overview VP300 HEPA (JP) 1
Overview VP300 HEPA 3
RECOMMENDED SPARE PARTS 5
VP300 Accessories 7



Pos.	Product no	QTY	Description	Notes
1	147 0660 500	1	MOTOR SUSPENSION KIT	
2	147 1168 500	1	FAN UNIT 100V NILFISK	
2A	107414303	1	GASKET FAN UNIT TPE	
3	140 9537 500	1	SWITCH TWO POLE KIT	
4	140 6560 500	1	ANTI STRAIN CLIP	
5	107403731	1	CORDSET 15.5 M JP	
6	147 1409 500	1	LATCH	
7	147 0670 500	1	MOTOR FILTER	
8	107402902	1	HEPA FILTER	
9	147 1432 500	1	SACK FILTER	
10	140 8458 500	1	WHEEL REAR KIT	
11	140 6422 500	1	WHEELS LINK 50MM	
12	107408852	1	WIRE HARNESS AWG16 410MM	
13	107406056	1	CONTAINER VP300	
14	107408800	1	COVER TOP FOR VP300 KIT	
15	107410399	1	BUMPER LIGHT GREY SET	
17	147 1447 000	1	HOLDER SWITCH	



Pos.	Product no	QTY	Description	Notes
0	147 1436 000	1	BOX WITH PRINT FOR VP300/GD111	
0	107402839	1	BOX VC300 HEPA EU1	
1	147 0660 500	1	MOTOR SUSPENSION KIT	
2	107402675	1	FAN UNIT 1200W TCO KIT	
2A	107414303	1	GASKET FAN UNIT TPE	
3	140 9537 500	1	SWITCH TWO POLE KIT	
4	107402674	1	CORD LOCK KIT	
5	107402676	1	DETACH CORD SET 10M ORANGE EU	
5	107402678	1	DETACH CORD SET 10M ORG AUS/NZ	
5	107402901	1	DETACH CORD SET 15M ORANGE EU	
5	107402677	1	DETACH CORD SET 10M ORANGE UK	
5	107413071	1	POWERCORD DETACHABLE CN	
6	147 1409 500	1	LATCH	
7	147 0670 500	1	MOTOR FILTER	
8	107402902	1	HEPA FILTER	[1]
9	147 1432 500	1	SACK FILTER	[1]
10	140 8458 500	1	WHEEL REAR KIT	
11	140 6422 500	1	WHEELS LINK 50MM	
12	140 7620 530	1	SUPPRESSOR EU/UK/AU/NZ	
13	107406056	1	CONTAINER VP300	
14	107409034	1	COVER TOP XTRA FOR VP300 KIT	
15	107410399	1	BUMPER LIGHT GREY SET	
16	107415447	1	CHASSIS W. DETACH CORD KIT	
17	107416423	1	INLET FOR DETACH CORD 10A 250V	
18	107418805	1	PCB KIT VP300	
19	147 1447 000	1	HOLDER SWITCH	

Part Notes:

[1] - Accessory

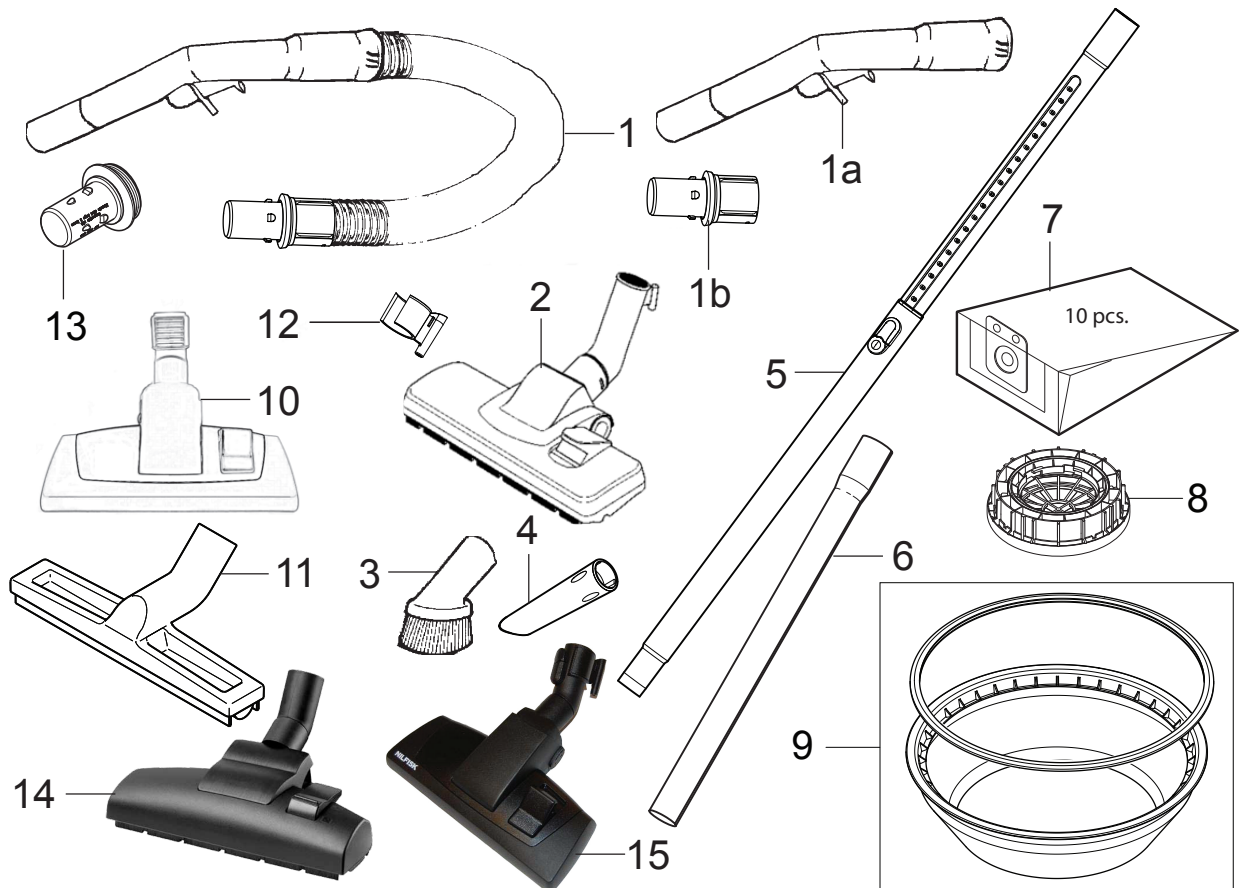
RECOMMENDED SPARE PARTS

VP300 HEPA

2017.11.02

2013.04.02

Pos.	Product no	QTY	Description	Notes
00	140 6422 500	1	WHEELS LINK 50MM	
00	147 0670 500	1	MOTOR FILTER	
00	107402677	1	DETACH CORD SET 10M ORANGE UK	
00	140 9537 500	1	SWITCH TWO POLE KIT	
00	107402901	1	DETACH CORD SET 15M ORANGE EU	
00	107402674	1	CORD LOCK KIT	
00	147 1432 500	1	SACK FILTER	
00	147 1409 500	1	LATCH	
00	107402676	1	DETACH CORD SET 10M ORANGE EU	
00	107402675	1	FAN UNIT 1200W TCO KIT	
00	147 0660 500	1	MOTOR SUSPENSION KIT	
00	107402678	1	DETACH CORD SET 10M ORG AUS/NZ	
00	140 7620 530	1	SUPPRESSOR EU/UK/AU/NZ	
00	140 8458 500	1	WHEEL REAR KIT	



Pos.	Product no	QTY	Description	Notes
1	107415116	1	HOSE CPL ANTISTATIC BLACK	
1	147 0765 500	1	HOSE CPL D32	
1a	107417894	1	BENT END AND CONNECTOR FOR D32	
1b	107416215	1	HOSE CONNECTION ABS	
2	107411677	1	COMBI NOZZLE RD277 KIT	[1]
2	107405141	1	SPAREPART COMBI NOZZLE VC300JP	
3	140 8244 500	1	BRUSH NOZZLE D32	
4	147 0146 500	1	CREVICE NOZZLE D32 L153 BLACK	
5	011 8130 500	1	TELESCOPIC TUBE ALUMINIUM	[2]
5	107403804	1	TELESCOPIC TUBE ACC.	[3]
6	011 6431 500	2	EXTENSION TUBE ALUMINIUM	
6	140 8246 040	2	EXTENSION TUBE STEEL D32	
7	140 8618 000	1	DUST BAG PAPER 10-PCS	[4]
7	82367820	1	DUST BAG SYNTHETIC 10-PCS	
8	107402902	1	HEPA FILTER	[5]
9	147 1432 500	1	SACK FILTER	
10	140 8492 520	1	COMBI NOZZLE RD295 D32	[5]
10	140 8492 510	1	COMBI NOZZLE ROLLER PC D32	
11	140 6700 540	1	NOZZLE MULTI SURFACE 32 MM	
12	147 0585 500	1	PARKING CLIP BLACK	
13	107401199	1	NUMATIC ADAPTER 20PCS	
14	107411677	1	COMBI NOZZLE RD277 KIT	
15	107417790	1	COMBI NOZZLE RD295P W.CLIP	

Part Notes:

- [1] - PB-COM-VAC-2014-001 VP300 nozzle change
- [2] - GD111, VP300
- [3] - GD111 X-tra, VP300 HEPA
- [4] - TSB-COM-VAC-2015-001 New fleece dust bag for G1000 and VP300
DE TSB-COM-VAC-2015-001 GD1000, VP300 Neuer Filtersack
- [5] - VP300 HEPA

