

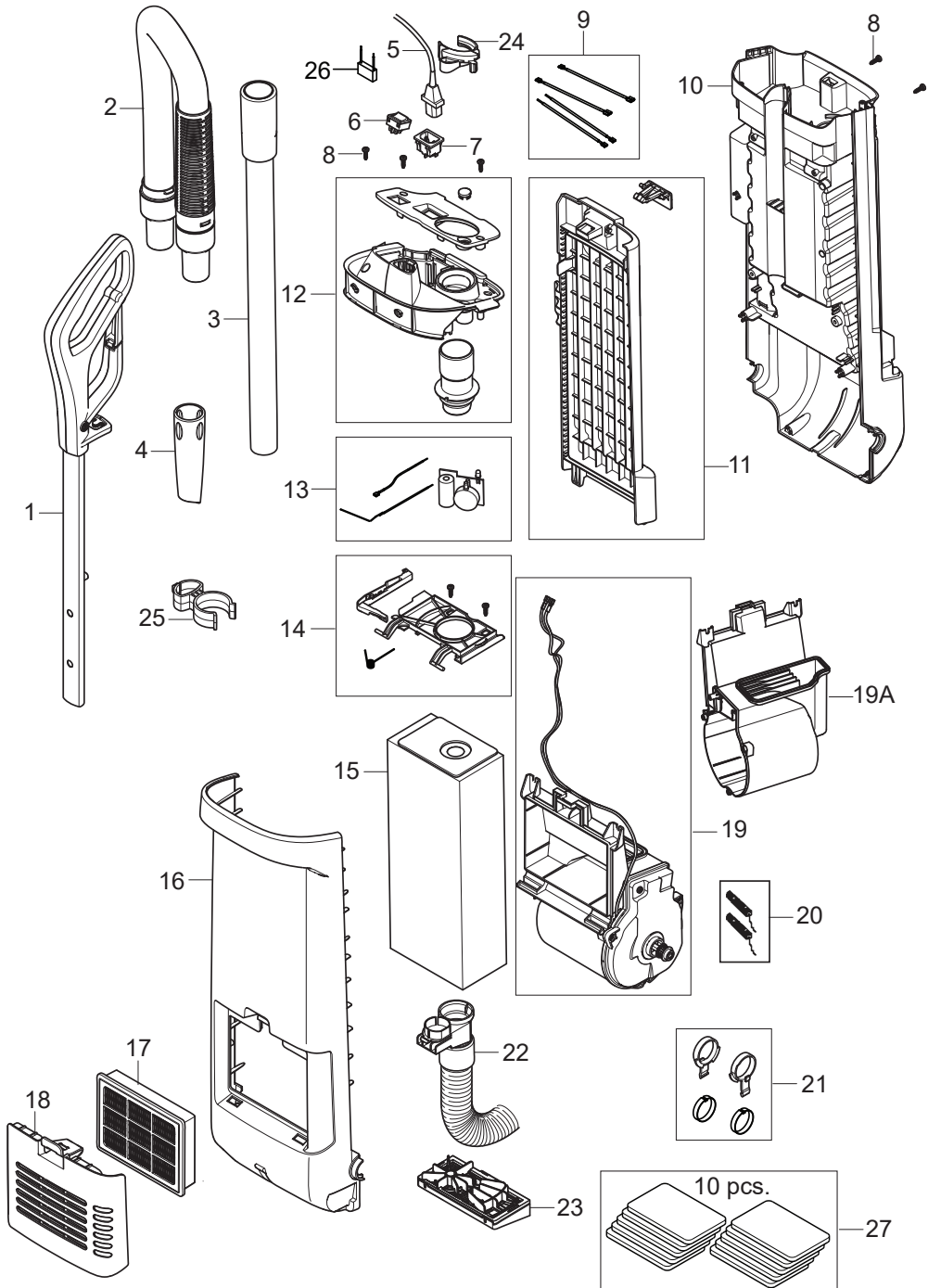
PARTS LIST



2020.12.16

TABLE OF CONTENTS

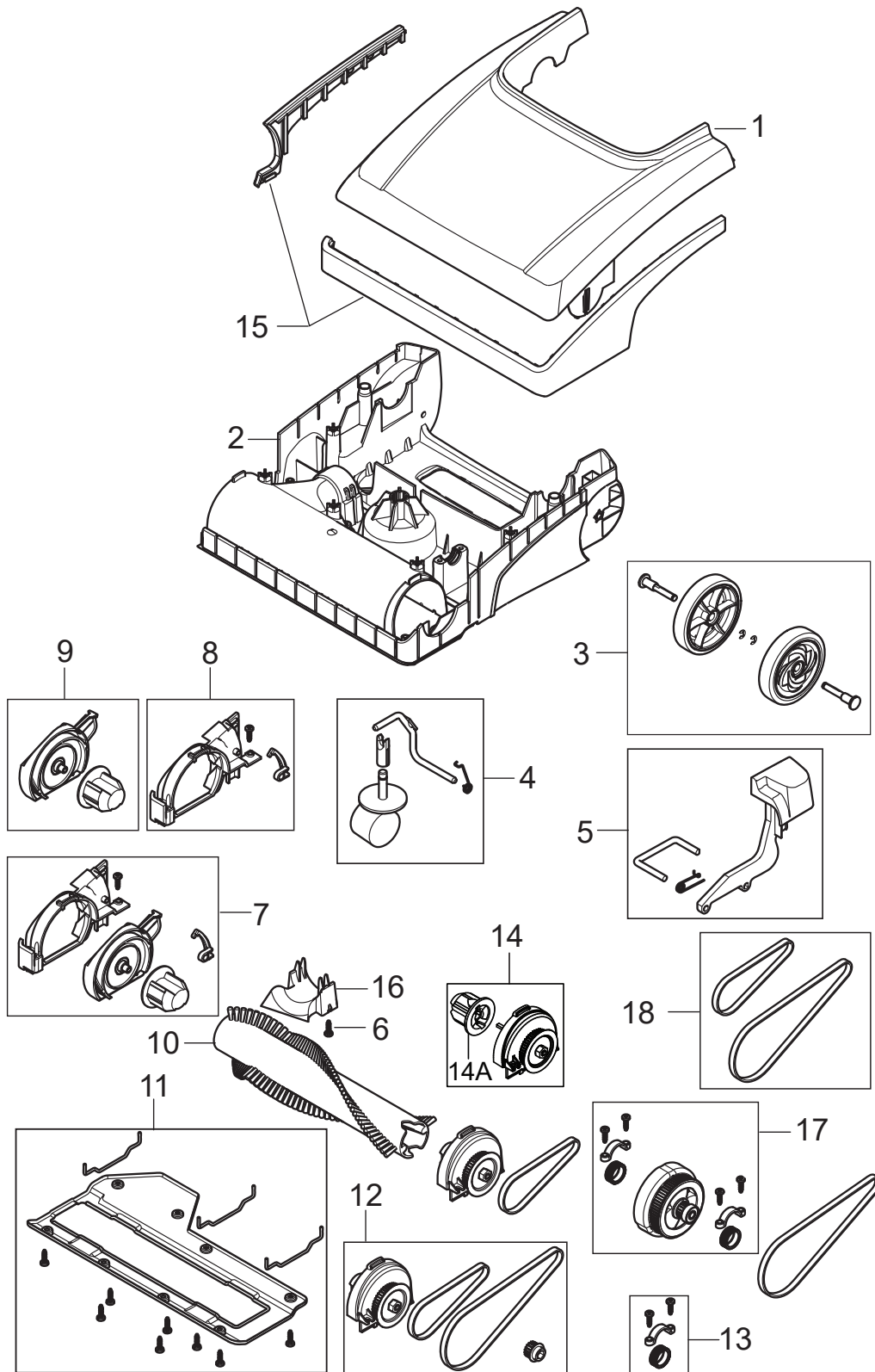
Body 1
Base 12" 3
Base 15" 5



Pos.	Product no	QTY	Description	Notes
1	107407581	1	HANDLE CPL	
2	147 0950 500	1	HOSE STRETCHABLE	
3	147 0851 500	1	EXTENSION TUBE 35MM	
4	147 1203 500	1	CREVICE NOZZLE D35	
5	107402676	1	DETACH CORD SET 10M ORANGE EU	
5	107402677	1	DETACH CORD SET 10M ORANGE UK	
5	107402901	1	DETACH CORD SET 15M ORANGE EU	
6	140 5496 510	1	SWITCH UL KIT	
7	107407583	1	APPLIANCE INLET	
8	140 9214 040	1	SCREW PTK TORX 40X14 MM FZB	
9	107407590	1	WIRE SET	
10	107407584	1	BODY COVER REAR	
11	107407585	1	LID CPL.	
12	107407586	1	COVER TOP CPL	
13	147 0987 500	1	BAG FULL DEVICE	
14	147 0854 500	1	HOLDER DUST BAG KIT	
15	107413586	1	DUST BAG 10PCS FOR VU500	
16	107407588	1	COVER BODY FRONT	
17	147 1250 600	1	HEPA FILTER	
18	107407589	1	COVER EXHAUST FILTER	
19	107418631	1	MOTOR CASSETTE 220-240V EU ONLY	[1]
19	147 0864 500	1	MOTOR CASSETTE 220-240V	
19A	147 0994 000	1	COVER MOTOR CASSETTE BK UL	[2]
20	147 1326 500	1	CARBON BRUSH KIT	
21	147 0927 500	1	JOINT BASE TO BODY W RING	
22	147 0919 500	1	ADAPTER BASE TO TUBE W.HOSE	
23	147 0958 500	1	HOLDER PRE FILTER KIT	
24	107407717	1	TUBE HOLDER	
25	107407699	1	ACCESSORY HOLDER	
26	140 8166 010	1	CAPACITOR	
27	107418021	1	AIRFRESHER KIT 10PCS	

Part Notes:

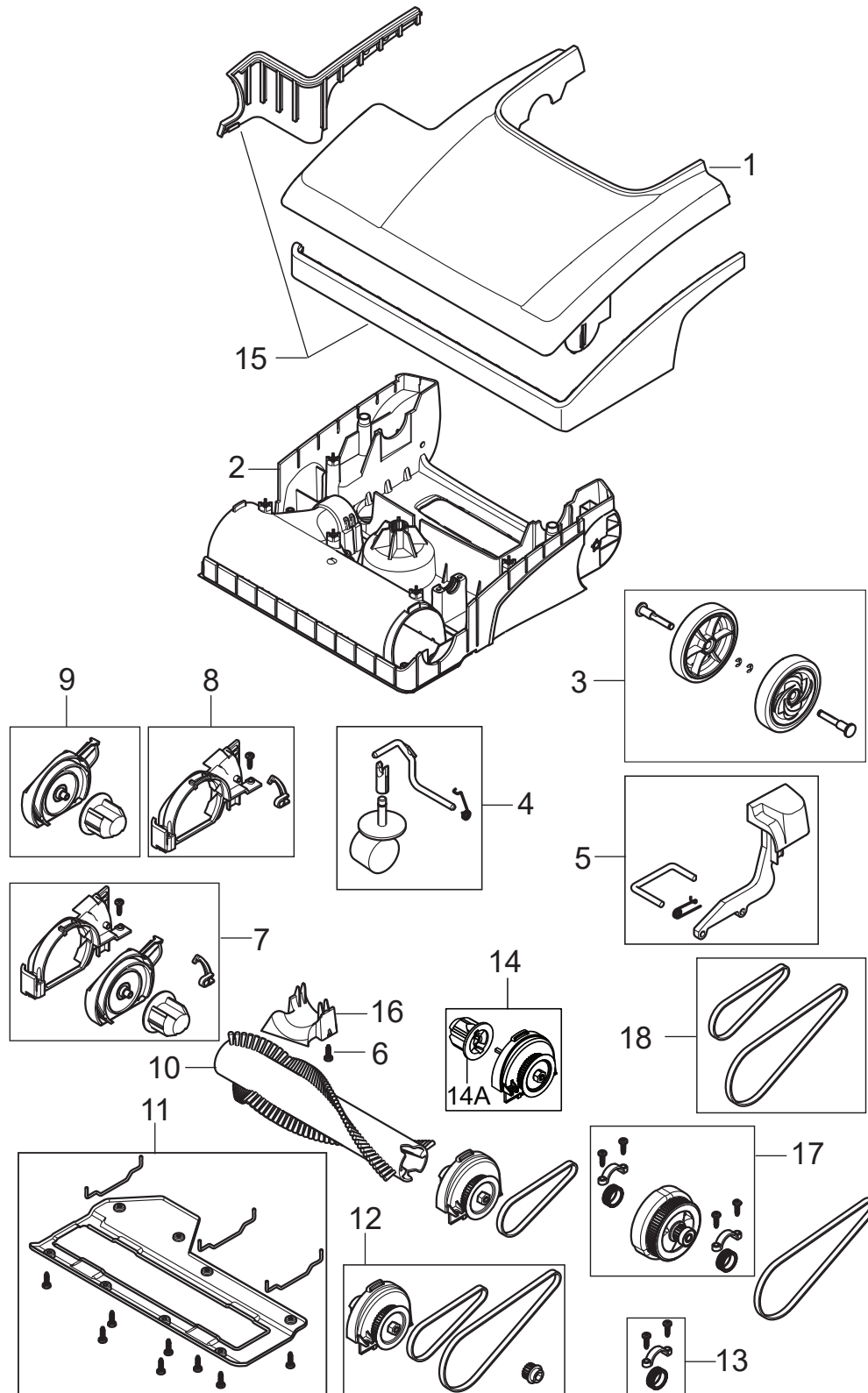
- [1] - Erp 2017
- [2] - TSB-FC-2019-005 Filter cover VU500 DE TSB-FC-2019-005 VU500 Filterabdeckung



Pos.	Product no	QTY	Description	Notes
1	107407569	1	COVER BASE	
2	107407571	1	CHASSIS 12INCH	
3	107416451	1	WHEEL SHAFT KIT	[1]
4	107407573	1	CASTOR KIT	
5	107407574	1	PEDAL WITH SHAFT AND SPRING	
6	140 9214 040	1	SCREW PTK TORX 40X14 MM FZB	
7	107407575	1	BRUSH COVER AND FRAME CPL	
8	107407576	1	BRUSH FRAME WITH CLIP	
9	107407577	1	BRUSH COVER WITH BEARING	[2]
10	107407697	1	BRUSH 12INCH RED	
11	107418632	1	BRUSH SHOE 12INCH EU ONLY	[3]
11	107407578	1	BRUSH SHOE 12INCH 305	
12	107407698	1	END CUP KIT W. BELT AND DRIVE	
13	107407580	1	CLAMP AND GASKET KIT	
14	147 0913 500	1	END CAP BRUSCH LEFT W BEARING	
14A	107419296	1	CONE ADAPTER FOR BRUSH KIT	
15	107407718	1	BUMPER 12INCH	
16	107407723	1	LOWER HOSE CLAMP	
17	107407722	1	CLUTCH ASSEMBLY COMPLETE	
18	107418025	1	BELT KIT FOR VU500	

Part Notes:

- [1] - TSB-COM-VAC-2015-002 Wheel spare part kit for VU500
DE TSB-COM-VAC-2015-002 VU 500 Ersatzteil-Kit Räder
- [2] - AE-COM-LI-vac 2015-001 - VU500 Brush Disconnection
- [3] - Erp 2017



Pos.	Product no	QTY	Description	Notes
1	107407570	1	COVER CPL.15INCH	
2	107407572	1	CHASSIS 15INCH	
3	107416451	1	WHEEL SHAFT KIT	[1]
4	107407573	1	CASTOR KIT	
5	107407574	1	PEDAL WITH SHAFT AND SPRING	
6	140 9214 040	1	SCREW PTK TORX 40X14 MM FZB	
7	107407575	1	BRUSH COVER AND FRAME CPL	
8	107407576	1	BRUSH FRAME WITH CLIP	
9	107407577	1	BRUSH COVER WITH BEARING	[2]
10	107408004	1	BRUSH 15INCH 68MM	
11	107418633	1	BRUSH SHOE 15INCH EU ONLY	[3]
11	107407579	1	BRUSH SHOE 15INCH	
12	107407698	1	END CUP KIT W. BELT AND DRIVE	
13	107407580	1	CLAMP AND GASKET KIT	
14	147 0913 500	1	END CAP BRUSCH LEFT W BEARING	
14A	107419296	1	CONE ADAPTER FOR BRUSH KIT	
15	107407719	1	BUMPER RIGHT 15INCH	
16	107407723	1	LOWER HOSE CLAMP	
17	107407722	1	CLUTCH ASSEMBLY COMPLETE	
18	107418025	1	BELT KIT FOR VU500	

Part Notes:

- [1] - TSB-COM-VAC-2015-002 Wheel spare part kit for VU500
DE TSB-COM-VAC-2015-002 VU 500 Ersatzteil-Kit Räder
- [2] - AE-COM-LI-vac 2015-001 - VU500 Brush Disconnection
- [3] - Erp 2017

