

# PARTS LIST

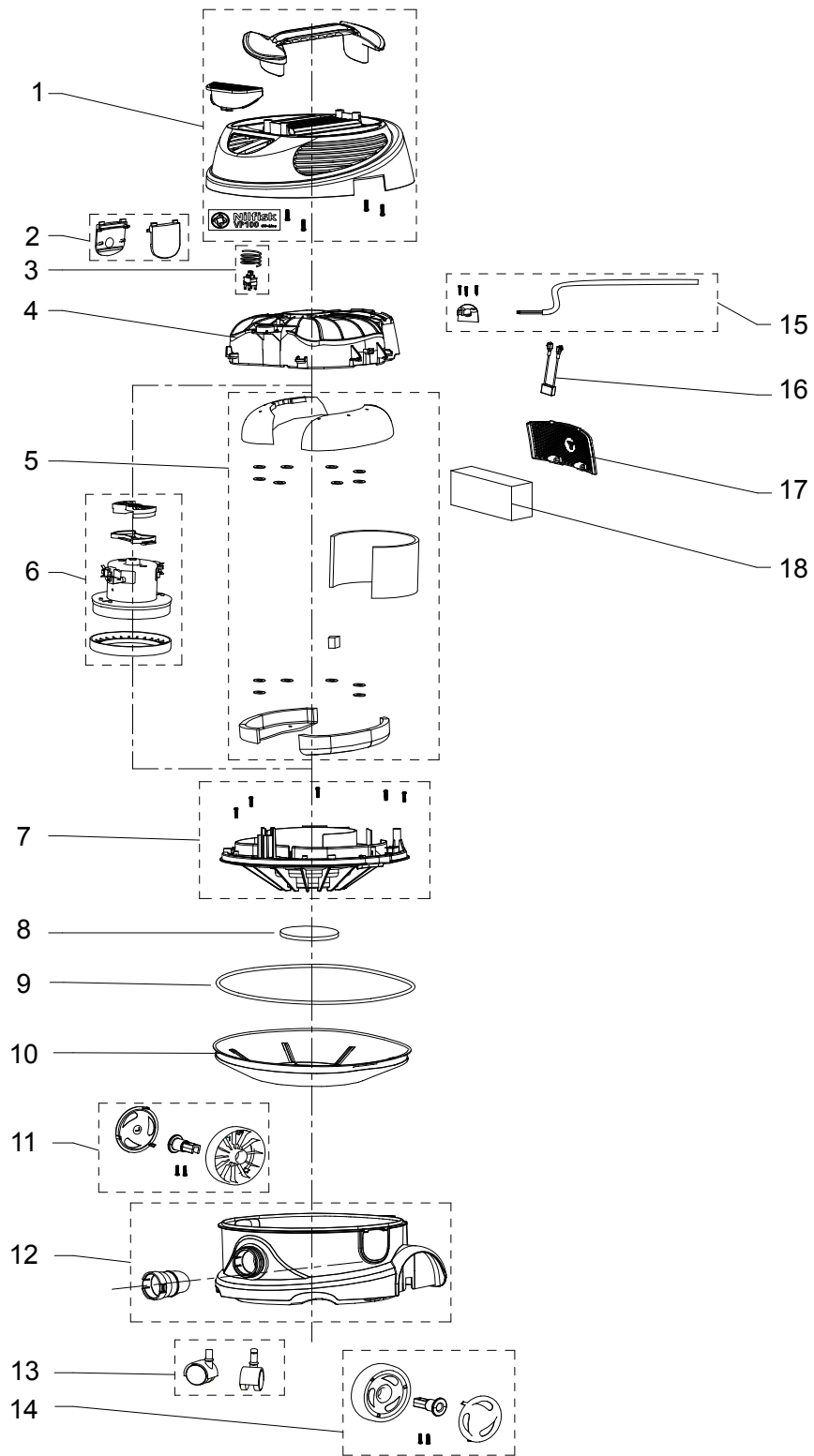


2021.02.09

# TABLE OF CONTENTS

---

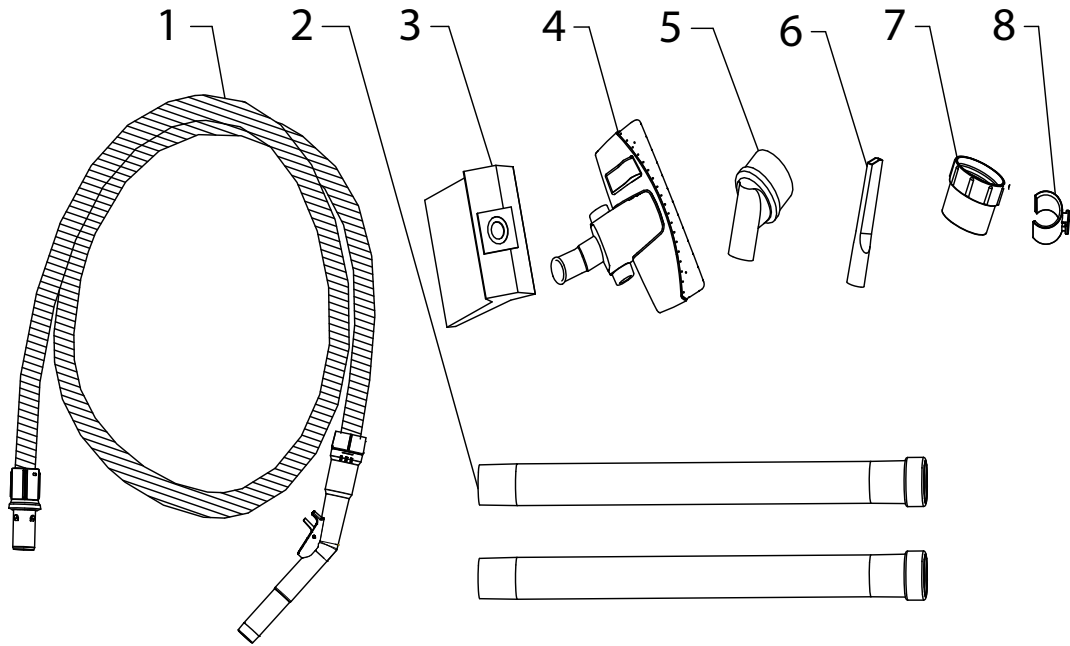
Overview .....	1
Accessories .....	3
Wear and tear parts .....	5



Pos.	Product no	QTY	Description	Notes
1	VA81751	1	VP100 MACHINE HEAD COVER KIT	
2	VA81601	1	LATCHCX2 KIT	
3	VA81395	1	DSU8/DSU10 FOUR FEET SWITCH KIT	
4	VA85013	1	DSU8 AND DSU10 MOTOR COVER KIT	
5	VA81362	1	DSU8/DSU10 NOISE REDUCTION SPONGE KIT	
6	ZD66000	1	MOTOR 230V1000W	[1]
6	VA81755	1	VP100 MOTOR ASSEMBLY KIT	
7	VA81752	1	VP100 MOTOR MOUNTING BASE KIT	
8	VA85064	1	EAGLE2 MOTR FRONT FILTER PLATE KIT	
9	VA81212	1	DSU8 AND DSU10 GASKET KIT	
10	VA81235	1	DSU8 AND DSU10 MAIN FILTER ASSEMBLY KIT	
11	VA81753	1	VP100 RIGHT REAR BIG WHEEL KIT	
12	VA85034-020	1	VP100 TANK + INTAKE KIT	
13	VA81599	1	40MM CASTER	
14	VA81754	1	VP100 LEFT REAR BIG WHEEL KIT	
15	VA81606	1	VP100 EU POWER CORD+SLEEVE KIT	
15	VA81607	1	VP100 UK POWER CORD+SLEEVE KIT	
16	VA80095	1	ELECTRIC CAPACITOR	
17	VA85016-01	1	EXHAUST COVER	
18	VA85065	1	HEPA FILTER H13	

## Part Notes:

[1] - ErP 2017



Pos.	Product no	QTY	Description	Notes
1	107415116	1	HOSE CPL ANTISTATIC BLACK	
1	147 0765 500	1	HOSE CPL D32	
2	140 8246 040	2	EXTENSION TUBE STEEL D32	
3	VA81799-P10	1	10PCS PAPER DUST BAGS IN ONE PACKING	
4	107411677	1	COMBI NOZZLE RD277 KIT	
5	140 8244 500	1	BRUSH NOZZLE D32	
6	147 0146 500	1	CREVICE NOZZLE D32 L153 BLACK	
7	VA81653	1	VP100-10L SUCTION HOSE INLET	
8	VA81570	1	VP100 PACKING CLIP	



---

Pos.	Product no	QTY	Description	Notes
1	107415116	1	HOSE CPL ANTISTATIC BLACK	
1	147 0765 500	1	HOSE CPL D32	
2	140 8246 040	1	EXTENSION TUBE STEEL D32	
3	VA81799-P10	1	10PCS PAPER DUST BAGS IN ONE PACKING	
4	107411677	2	COMBI NOZZLE RD277 KIT	
5	140 8244 500	1	BRUSH NOZZLE D32	
6	147 0146 500	1	CREVICE NOZZLE D32 L153 BLACK	
7	VA85065	1	HEPA FILTER H13	
8	VA85064	1	EAGLE2 MOTR FRONT FILTER PLATE KIT	

---

