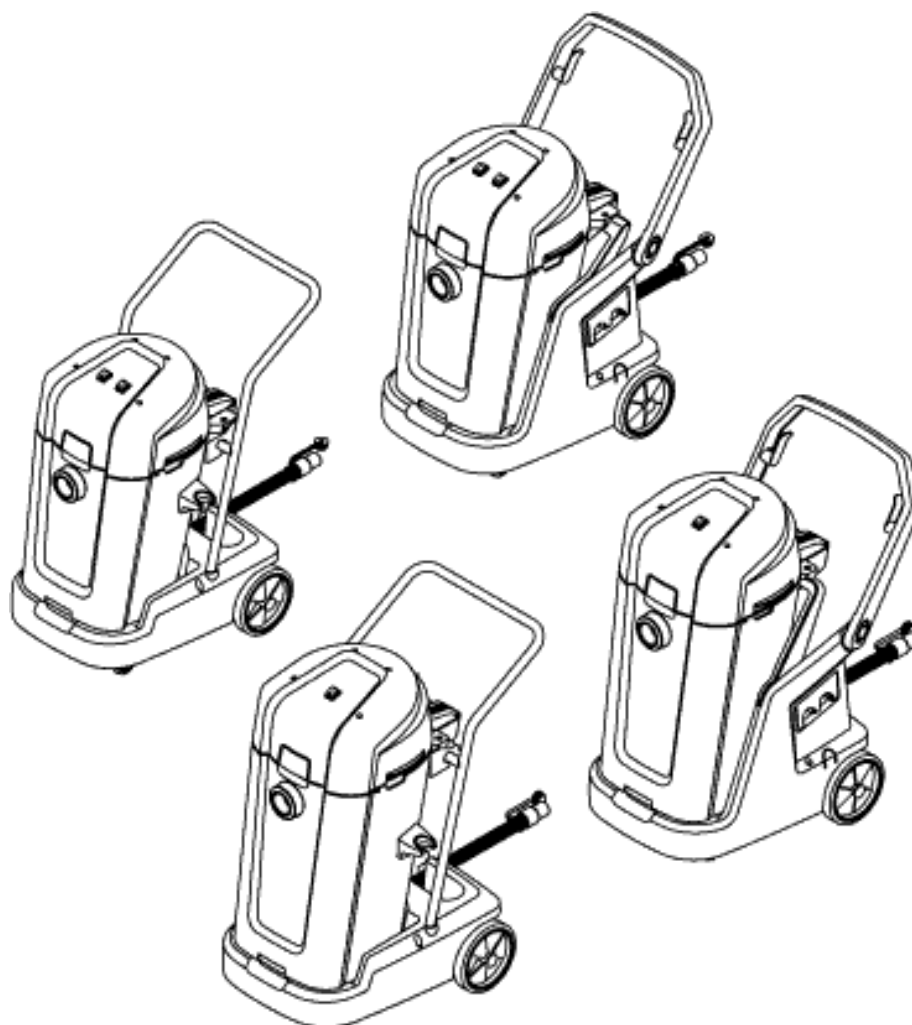


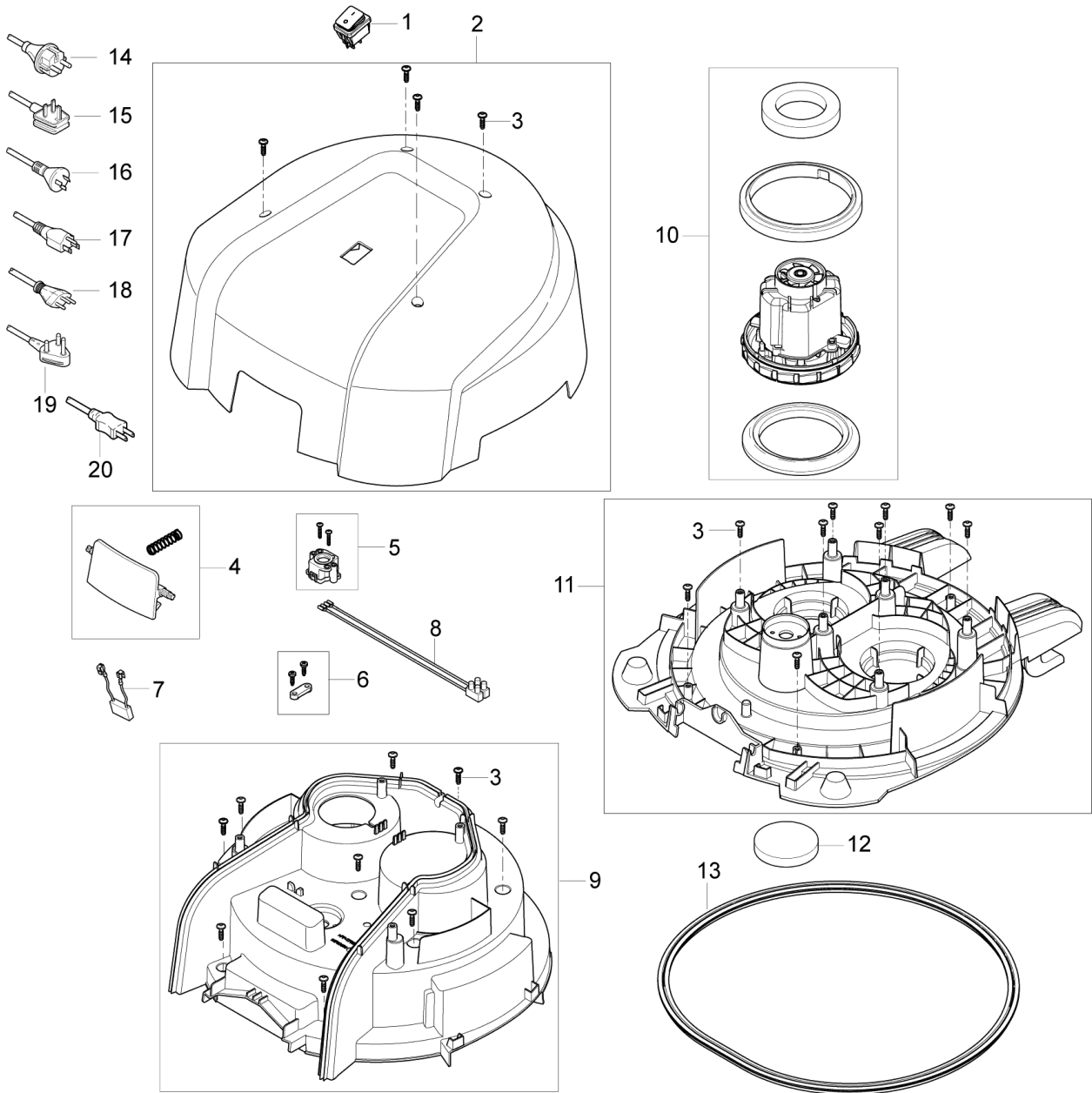
PARTS LIST



2020.02.20

TABLE OF CONTENTS

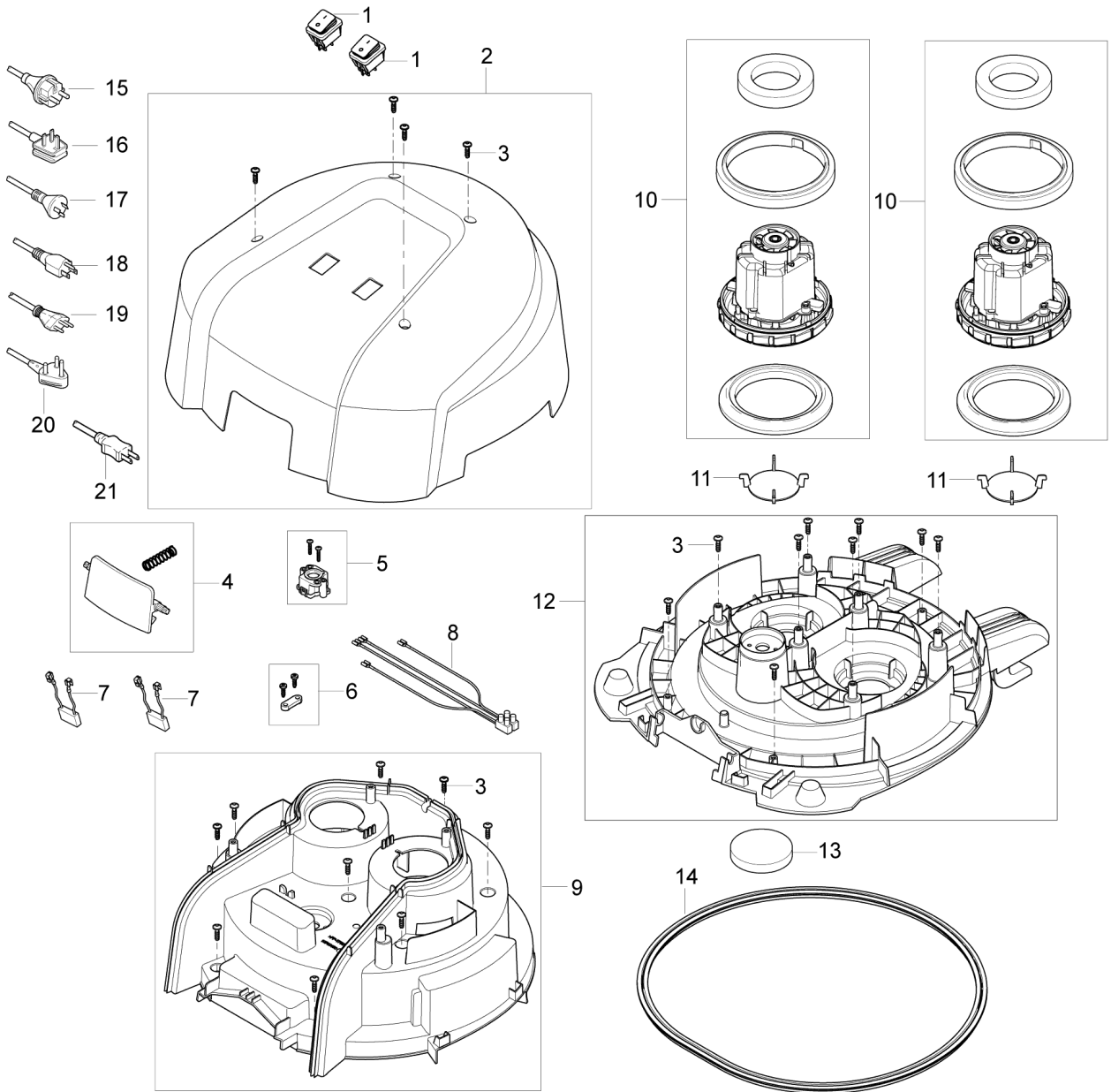
Top 55-1, 75-1	1
Top 55-2, 75-2	3
Container 55 EDF	5
Container 55 BSF, BDF	7
Filter and bags 55, 75	9
Squeegee Accessory	11
Accessories	13
Recommended spare parts	15



Pos.	Product no	QTY	Description	Notes
0	107410812	1	PACKAGING VL500 75 ERGO - KIT	
0	107410811	1	PACKAGING VL500 55 ERGO - KIT	
1	107404540	1	SWITCH 0-1 DOUBLE POLE SET	
2	107407243	1	HOOD 75-55L 1 SWITCH VL500	
3	302004029	13	SCREW PT50X18	
4	107407235	1	CLAMP F. 75-55-35 L BIN VL500	
5	107407237	1	VACUUM VALVE CPL.	
6	140 6560 500	1	ANTI STRAIN CLIP	
7	48338	1	ANTI-INTERFERENCE CAPACITOR	
8	140 7042 500	1	WIRE INTERNAL FOR GWD 300	
9	107407245	1	CLAMPING PLATE 55-75-1 VL500	
10	302003388	1	MOTOR KIT 1000W 120V	[1]
10	302003384	1	MOTOR KIT 1200W 230V	
10	302004006	1	MOTOR 1200W/100V JP W.GASKET	
11	107407247	1	BASEPLATE 75-55L 1 MOTOR VL500	
12	140 8682 500	1	MOTOR FILTER	
13	107407249	1	GASKET F. BASEPLATE 75-55L	
14	12222501	1	CORD SET EU L 10M	
15	140 8262 020	1	CORD SET BLACK 10.5M UK-PLUG	
16	140 8262 010	1	CORD SET 10.5 M AU PLUG	
17	107401614	1	CORD SET US/TW 3C 15.5M YELLOW	
18	12222507	1	CORD SET CH L 10M	
19	107407242	1	POWER CORD H05VV-F 2X1.00 SABS 164-1 16A	[2]
20	140 6702 500	1	CORD SET JP 15.5M	

Part Notes:

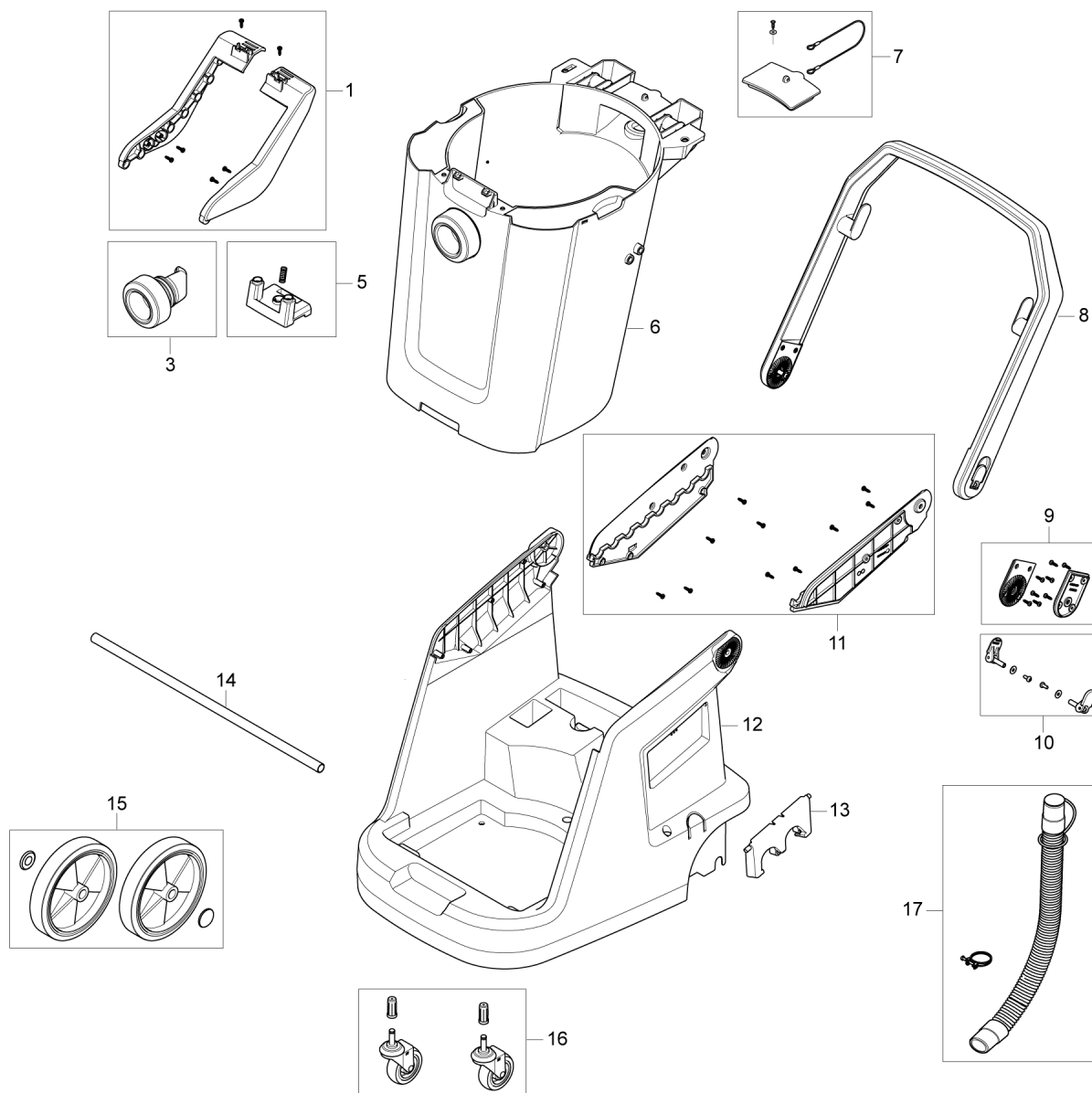
- [1] - US JP
 [2] - ZA



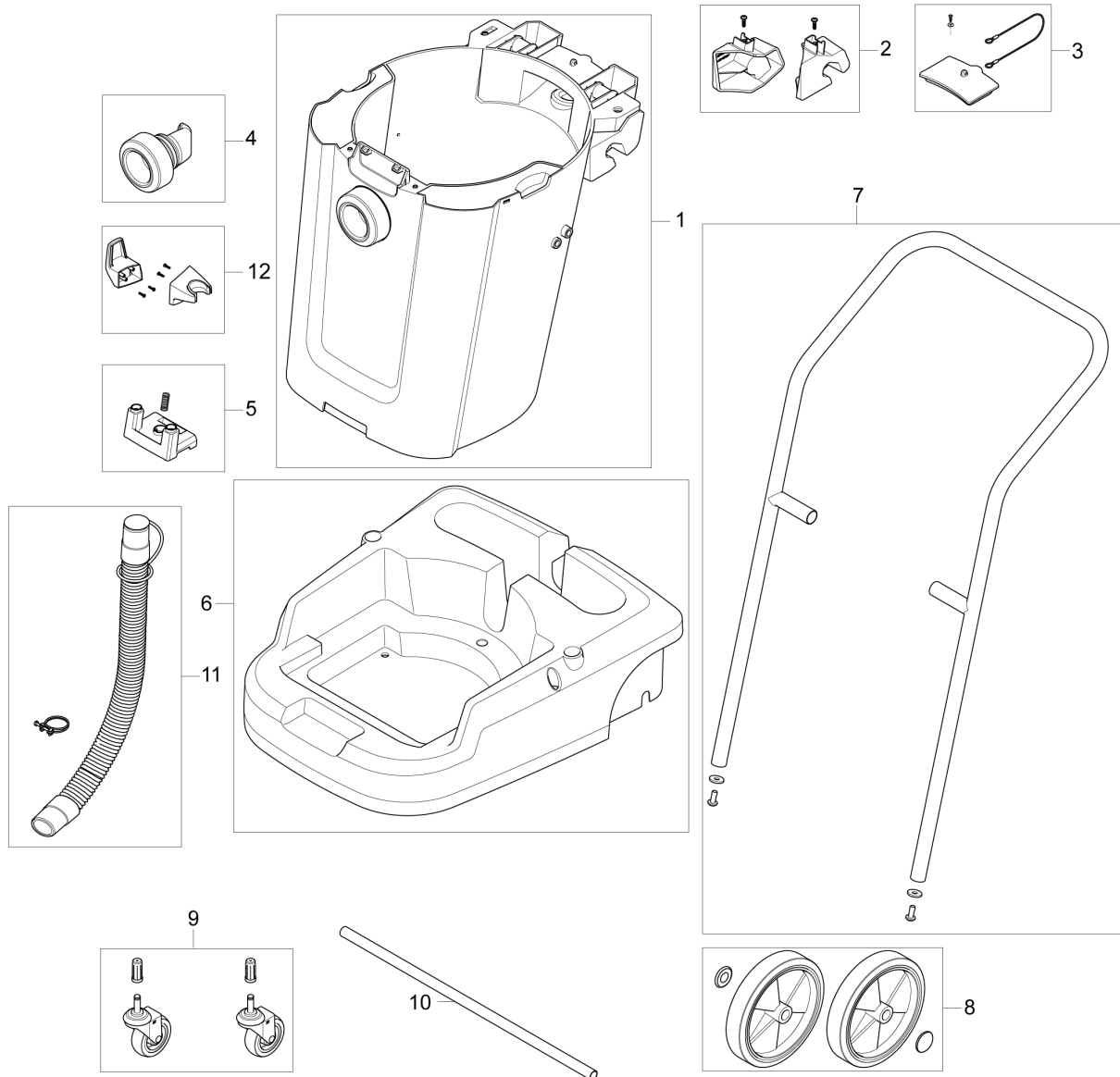
Pos.	Product no	QTY	Description	Notes
00	107410812	1	PACKAGING VL500 75 ERGO - KIT	
00	107410811	1	PACKAGING VL500 55 ERGO - KIT	
01	107404540	2	SWITCH 0-1 DOUBLE POLE SET	
02	107407250	1	HOOD 75-55 L - 2 SWITCHES VL500	
03	302004029	13	SCREW PT50X18	
04	107407235	1	CLAMP F. 75-55-35 L BIN VL500	
05	107407237	1	VACUUM VALVE CPL.	
06	140 6560 500	1	ANTI STRAIN CLIP	
07	48338	2	ANTI-INTERFERENCE CAPACITOR	
08	140 7620 540	1	SUPPRESSOR US UL-LIST	
08	140 7620 530	1	SUPPRESSOR EU/UK/AU/NZ	
09	107407252	1	CLAMPING PLATE 55-75-2 VL500	
10	302003384	2	MOTOR KIT 1200W 230V	
10	302004006	2	MOTOR 1200W/100V JP W.GASKET	
11	140 9526 500	2	VALVE DISC GWD 350/375	
12	107407254	1	BASEPLATE 75-55L 2 MOTOR VL500	
13	140 8682 500	1	MOTOR FILTER	
14	107407249	1	GASKET F. BASEPLATE 75-55L	
15	12222501	1	CORD SET EU L 10M	
16	140 8262 010	1	CORD SET 10.5 M AU PLUG	
17	107401614	1	CORD SET US/TW 3C 15.5M YELLOW	
19	12222507	1	CORD SET CH L 10M	
20	107407242	1	POWER CORD H05VV-F 2X1.00 SABS 164-1 16A	[1]
21	140 6702 500	1	CORD SET JP 15.5M	

Part Notes:

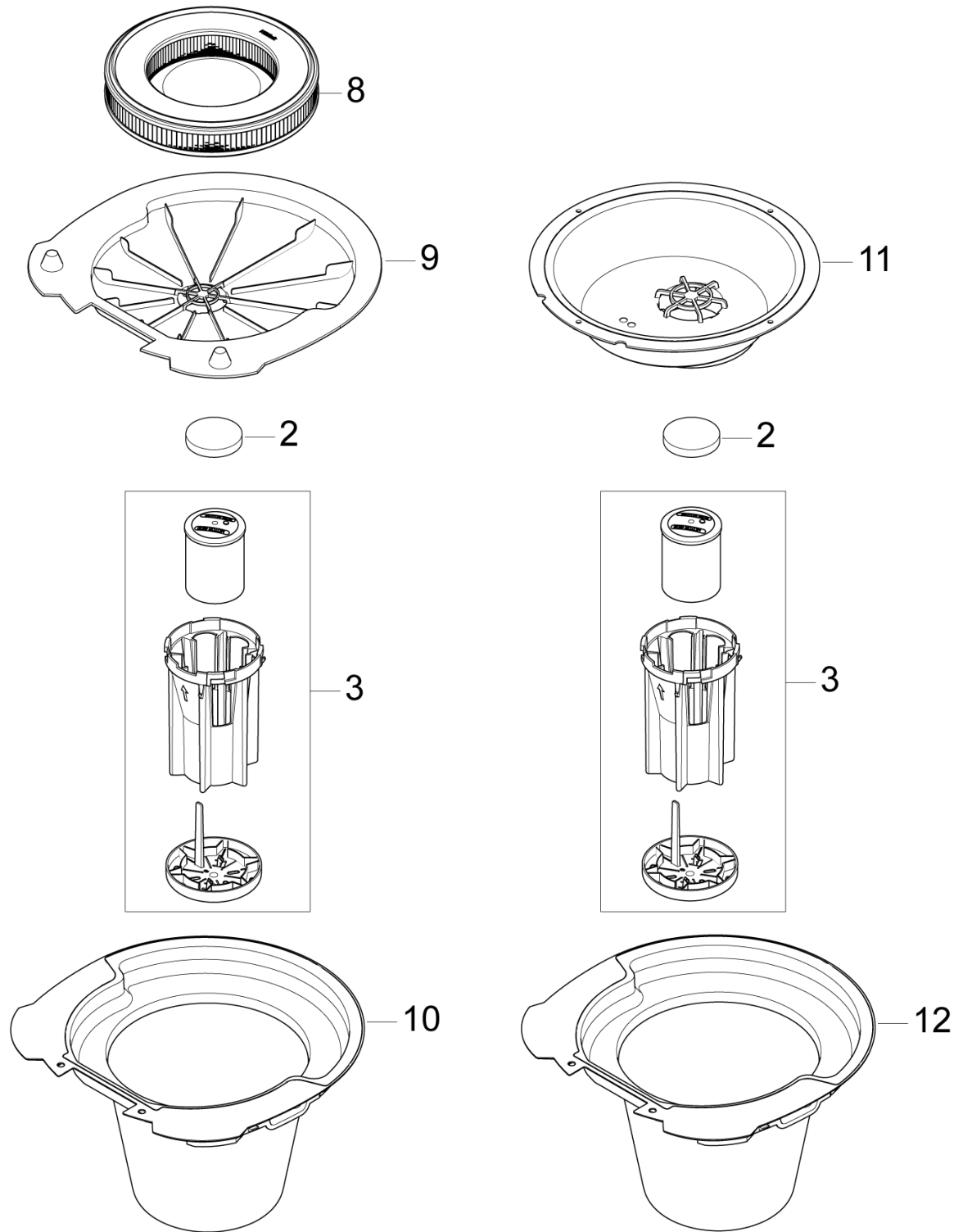
[1] - ZA



Pos.	Product no	QTY	Description	Notes
01	107407283	1	EASY TILT 55L BIN LEFT-RIGHT	
03	107407258	1	INLET ROUND VL500	
05	107407267	1	PUSH-BUTTON F. EASY-TILT 55L VL500	
06	107407260	1	CONTAINER 55L VL500	
07	107407266	1	SPOUT CAP	
08	107407285	1	HANDLE 55L	
09	107407287	1	SPLINE CONNECTION F. HANDLE	
10	107407288	1	QUICK-RELEASE F. HANDLE	
11	107408946	1	EASY TILT TROLLY LEFT-RIGHT	
12	107407291	1	FRAME F. ERGO TROLLEY	
13	107407292	1	TUBEHOLDER F. TROLLEY	
14	107407272	1	AXLE FOR WHEEL	
15	140 9543 500	1	REAR WHEEL	
16	140 5476 500	1	WHEEL LINK TROLLEY 2-P	
17	107407273	1	DRAINHOSE F. 55L BIN	



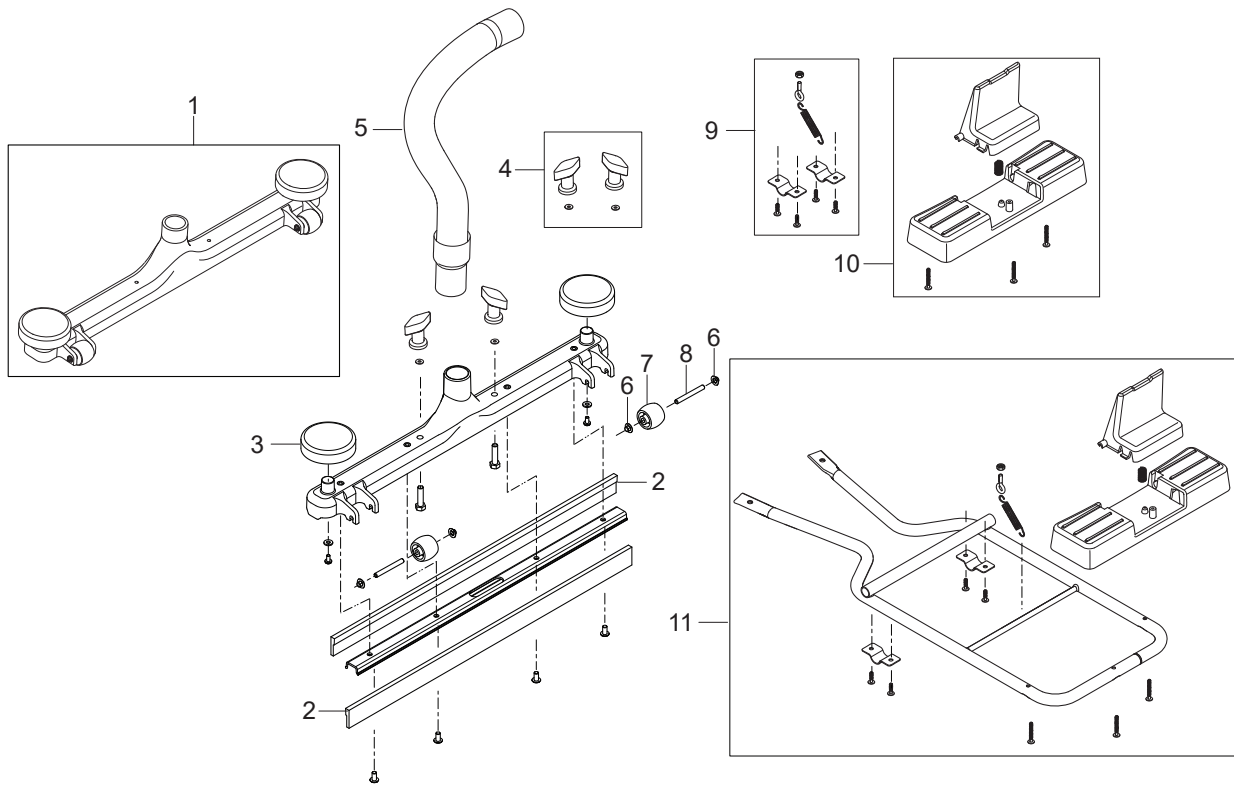
Pos.	Product no	QTY	Description	Notes
1	107407260	1	CONTAINER 55L VL500	
2	107407262	1	BRACKET LEFT-RIGHT F. 55L VL500	
3	107407266	1	SPOUT CAP	
4	107407258	1	INLET ROUND VL500	
5	107407267	1	PUSH-BUTTON F. EASY-TILT 55L VL500	
6	107407269	1	FRAME F. BASIC TROLLEY VL500	
7	107407271	1	HANDLE F. BASIC TROLLEY VL500	
8	140 9543 500	1	REAR WHEEL	
9	140 5476 500	1	WHEEL LINK TROLLEY 2-P	
10	107407272	1	AXLE FOR WHEEL	
11	107407273	1	DRAINHOSE F. 55L BIN	
12	107408911	1	CABLE HOOK AND TUBE HOLDER VL500	



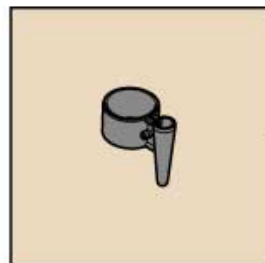
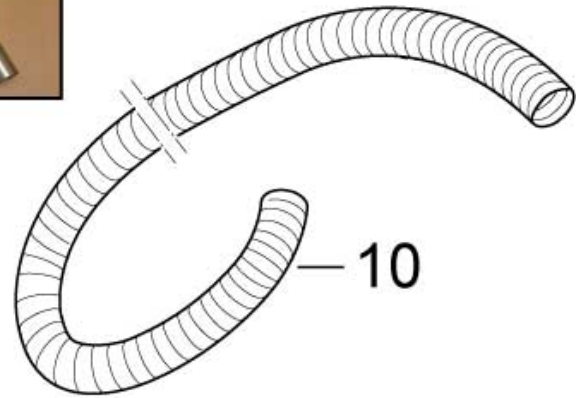
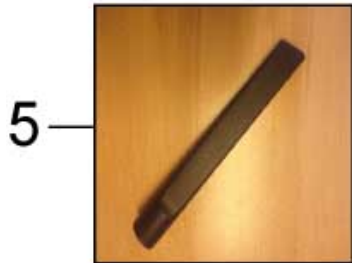
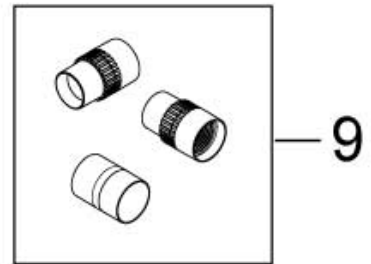
Pos.	Product no	QTY	Description	Notes
2	140 8682 500	1	MOTOR FILTER	
3	140 8680 500	1	FLOAT BASKET	
8	107407300	1	CARTRIDGE FILTER	[1]
8	107409007	1	HEPA CARTRIDGE FILTER	[2]
9	107407301	1	DRYFILTER BOX	[1]
10	107407302	1	WET FILTER	[1]
11	107407303	1	FLOATER ADAPTER 55-75L	[3]
12	107407304	1	SACK FILTER	[3]

Part Notes:

- [1] - BDF, EDF
- [2] - Option
- [3] - BSF



Pos.	Product no	QTY	Description	Notes
00	107407051	1	SQUEEGEE COMPLETE ANTHRACIT	
1	56209088	1	SQUEEGEE ASSEMBLY 24	
2	56105533	2	BLADE BLUE FOR 24 E00601	
3	56209157	2	BUMPER SIDE ROLLER	
4	140 7947 500	1	NUT THUMB 5/16	
5	107408917	1	HOSE FOR SQUEEGEE	
6	56009132	4	NUT PUSH CAP 1/4	
7	56329554	2	ROLLER	
8	56209150	2	AXLE ROLLER	
9	107408918	1	MOUNTING KIT FOR SQUEEGEE	
10	107408916	1	PEDAL FOR SQUEEGEE GREY	
11	107411346	1	FRAMEKIT FOR SQUEEGEE NOZZLE JET BLACK	



Pos.	Product no	QTY	Description	Notes
1	302002892	1	FLEECE FILTER BAG PU 5 PCS	[1]
2	107407336	1	HOSE D40 2.5M CPL	
3	107407338	1	FLOOR NOZZLE D40 RUBBER STRIP	
3	107407339	1	FLOOR NOZZLE D40 BRUSH	
3	107416577	1	HARDFLOOR NOZZLE 400MM x Ø40MM - KIT	
4	107407337	2	EXTENSION TUBE D40 - SS	
5	107408850	1	CREVICE NOZZLE D40	
7	107408801	1	PUMP KIT – VL500 220/240V	[2]
8	107407335	1	TUBEHOLDER D40	
9	20001810	1	HOSE EXTENSION KIT Ø50	[3]
10	11984	1	HOSE UNIVERSAL Ø50 EVA PER METRE	[3]

Part Notes:

- [1] - 55 and 75
- [2] - NO LONGER AVAILABLE
- [3] - See 99900100 Instructions for hose extension kit

Recommended spare parts

VL500 - 55E - Nilfisk

2017.11.02

2018.11.06

Pos.	Product no	QTY	Description	Notes
	107407258	1	INLET ROUND VL500	
	107407266	1	SPOUT CAP	
	107407287	1	SPLINE CONNECTION F. HANDLE	
	107407303	1	FLOATER ADAPTER 55-75L	
	107404540	1	SWITCH 0-1 DOUBLE POLE SET	
	107407293	1	EASY TILT 75L BIN LEFT-RIGHT	
	302003388	1	MOTOR KIT 1000W 120V	
	107407273	1	DRAINHOSE F. 55L BIN	
	107407301	1	DRYFILTER BOX	
	12222501	1	CORD SET EU L 10M	
	107407237	1	VACUUM VALVE CPL.	
	107407235	1	CLAMP F. 75-55-35 L BIN VL500	
	140 8680 500	1	FLOAT BASKET	
	48338	1	ANTI-INTERFERENCE CAPACITOR	
	107407283	1	EASY TILT 55L BIN LEFT-RIGHT	
	140 9526 500	1	VALVE DISC GWD 350/375	
	140 8682 500	1	MOTOR FILTER	
	107407267	1	PUSH-BUTTON F. EASY-TILT 55L VL500	
	107407300	1	CARTRIDGE FILTER	
	302004029	1	SCREW PT50X18	
	107407288	1	QUICK-RELEASE F. HANDLE	
	302003384	1	MOTOR KIT 1200W 230V	
	107407302	1	WET FILTER	
	107407262	1	BRACKET LEFT-RIGHT F. 55L VL500	
	107407249	1	GASKET F. BASEPLATE 75-55L	
	140 5476 500	1	WHEEL LINK TROLLEY 2-P	
	107407304	1	SACK FILTER	
00	107408946	1	EASY TILT TROLLEY LEFT-RIGHT	

