

# PARTS LIST

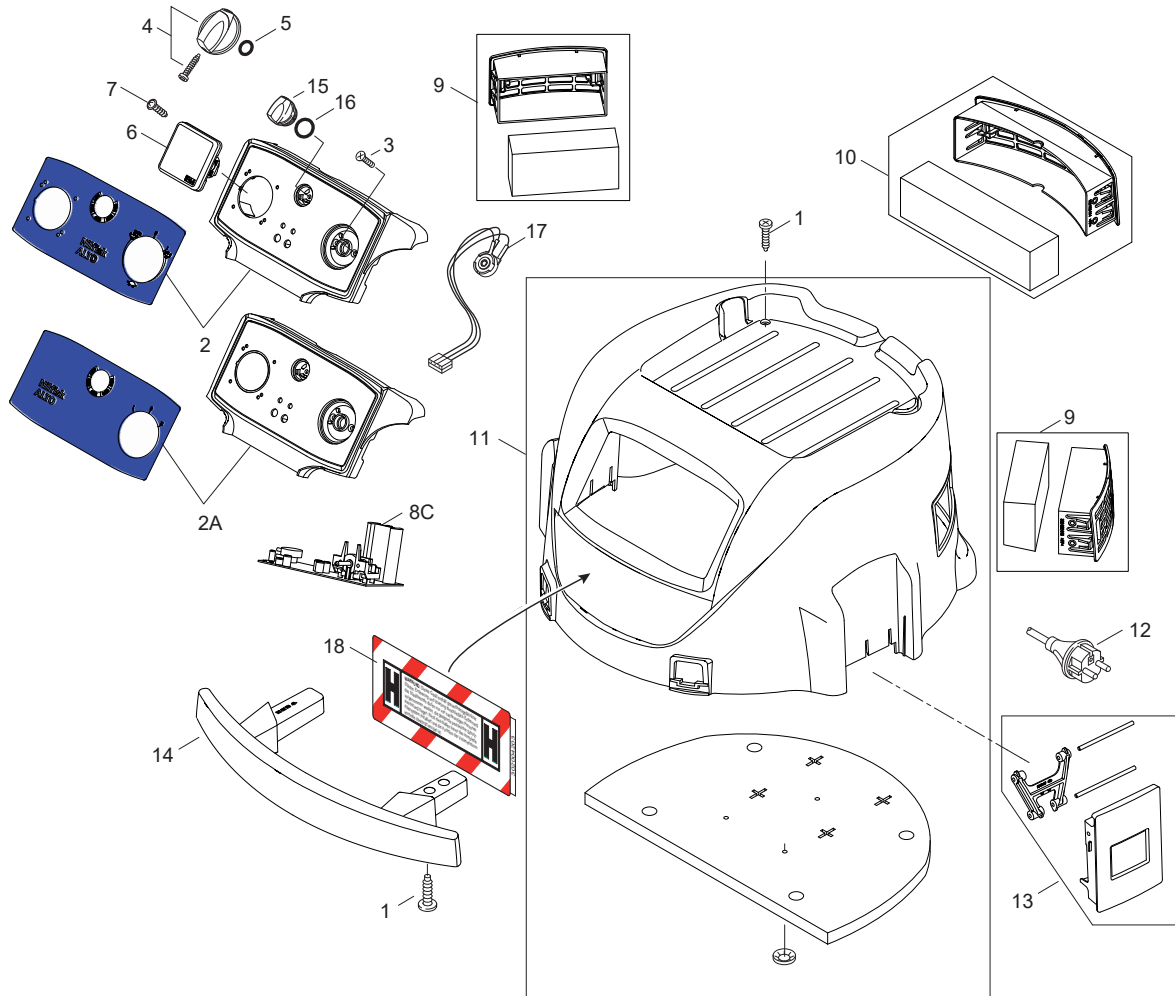


2020.12.01

# TABLE OF CONTENTS

---

Cabinet.....	1
Base .....	3
Filter system 2H/M XC.....	5
Motor and motor top .....	7
Container top and chassis .....	9
Container .....	11
Default accessories.....	13
RECOMMENDED SPARE PARTS.....	15



ATTIX 965 OH/M  
Up to serial number:  
3510174903232

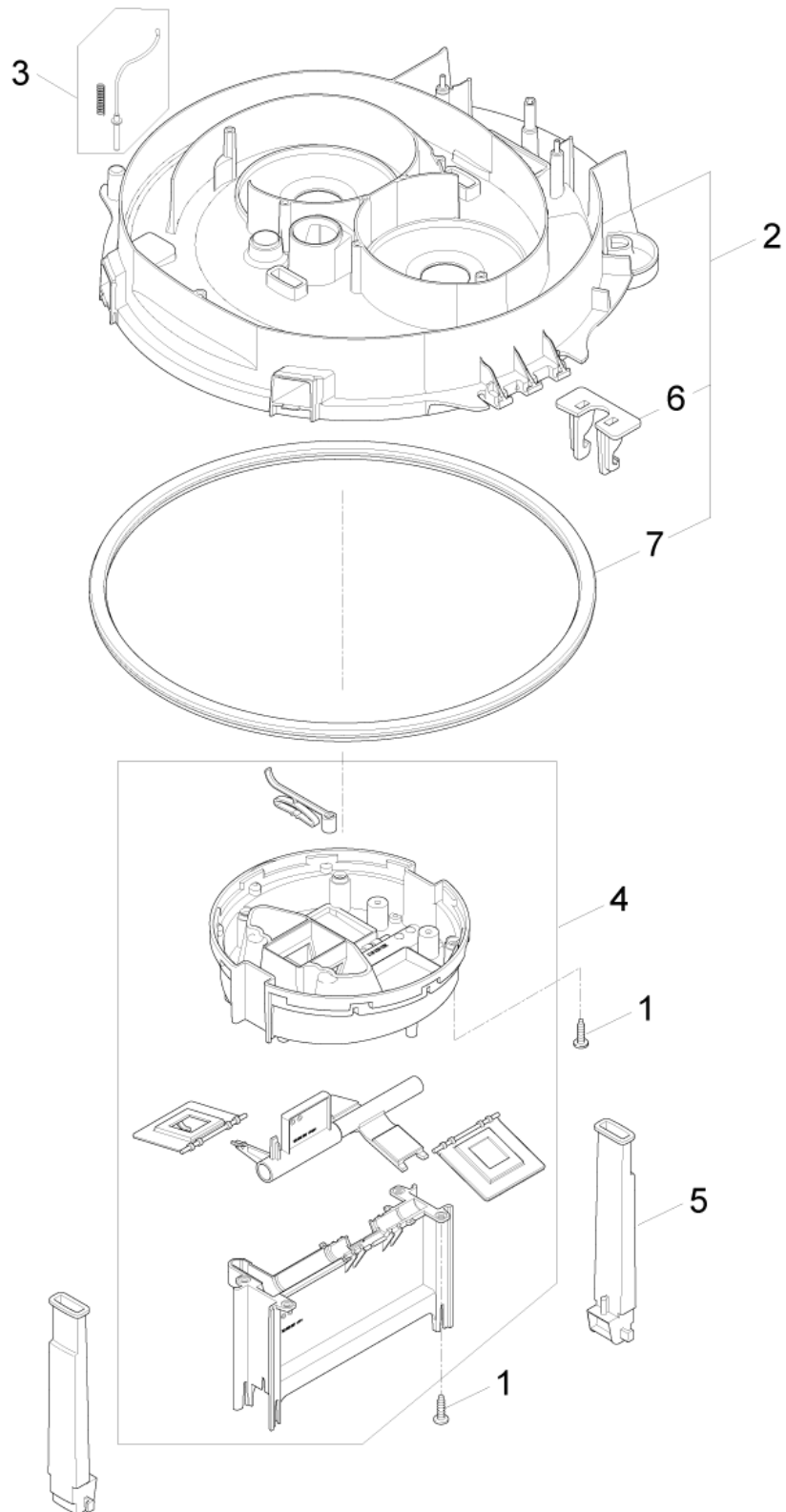
From serial number:  
3510174903232

From serial number:  
3510174903232

Pos.	Product no	QTY	Description	Notes
1	302003319	1	SCREW KIT ATTIX/IVB	
2	302003391	1	DISPLAY AUTO-0-I +POTI ATTIX 9	
2A	302003400	1	DISPLAY I-0-II + POTI ATTIX9	
3	18274	2	COUNTERSUNK SCREW M4X12	
4	909100204	1	ROTARY KNOB 6X5 ALTO BLUE	
5	9868	1	O-RING 10.2X2.5 NBR 70SH	
6	302004034	1	SOCKET 16A/250V EU	
7	107402837	4	SCREW 3.5X14	
8	302003707	1	ELECTRONICS I-0-II XC FLOW	[1]
8A	107415193	1	ROTARY SWITCH 3 POS 16A KIT	[2]
8B	107416956	1	PCBA AUTO CLEAN MH 2M-1S KIT1 220-240V	[2]
8C	302003708	1	ELECTRONICS AUTO-0-1 XC FLOW	[3]
8C	107400045	1	ELECTRONIC I-0-II EC KIT	[4]
9	302003397	2	MOTOR COOLING DIFFUSER ATTIX9 / IVB9	
10	302003398	1	EXHAUST AIR FILTER ATTIX9/IVB9	
11	302003425	1	HOOD KIT	
12	302002789	1	CABLE 10.6 METER CH	
12	107402666	1	POWERCORD 1.5X10.8M CEE7 EU	
12	302002791	1	WIRE NETZ H07RN-F3G1.0X10.8M	
12	302002788	1	LTG NETZ H07RN-F3G1.5X10.6M	
12	302002790	1	LTG NETZ H07BQ-F3G2.5X10.8M CE	
13	302003383	1	CLAMP KIT ATTIX 9/IVB 9	
14	302002590	1	HANDLE BAR BLACK PP	
15	107400575	1	TURNING KNOB FOR POTI - BLACK	
16	107400576	1	O-RING 21X1.5	
17	302000429	1	ELECTRONIC POTENTIOMETER	
18	107401548	1	LABEL DUSTCLASS H 130X44 PVC	
19	107416945	1	WIRE/CAPACITOR KIT3	[2]

Part Notes:

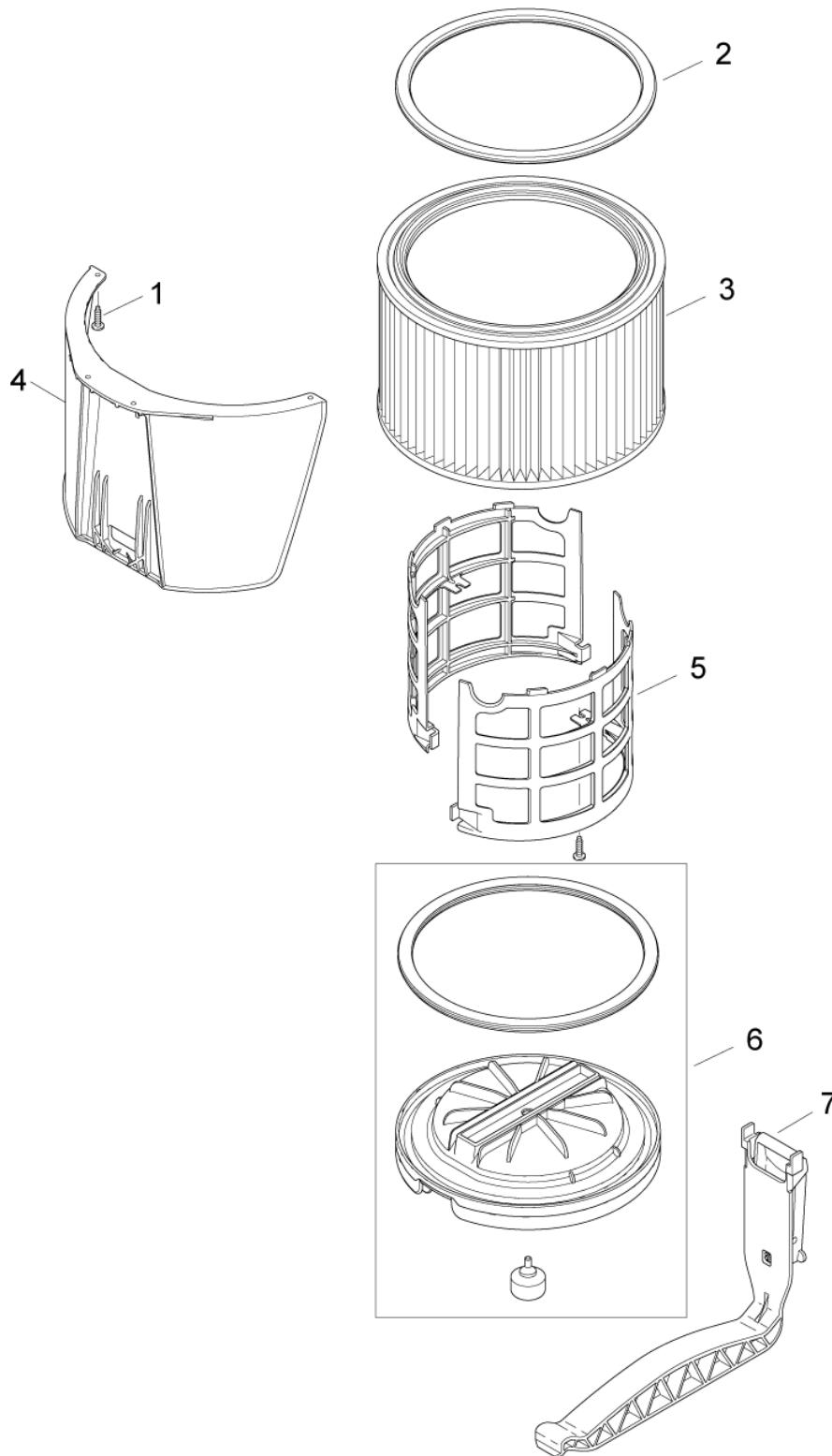
- [1] - 0H/M  
Up to serial number 3510174903232
- PB-COM-LI-2018-002 ATTIX 965 H-M, IVB 965 H-M\_New Electronics  
DE PB-LI-2018-002 ATTIX-IVB 965 M-H Neue Platinversion
- [2] - From serial number 3510174903232
- PB-COM-LI-2018-002 ATTIX 965 H-M, IVB 965 H-M\_New Electronics  
DE PB-LI-2018-002 ATTIX-IVB 965 M-H Neue Platinversion
- [3] - 2H/M
- [4] - EC



---

Pos.	Product no	QTY	Description	Notes
1	302003319	1	SCREW KIT ATTIX/IVB	
2	302003598	1	BASE PLATE XC	
3	107402835	1	CONTACT SPRING WIRE AND FASTON	
4	302003422	1	FILTER CLEAN SYSTEM XC	
5	302000514	2	GASKET	
6	107413313	1	FIXTURE 72X32X52 - KIT	
7	302001432	1	GASKET CONTAINER	

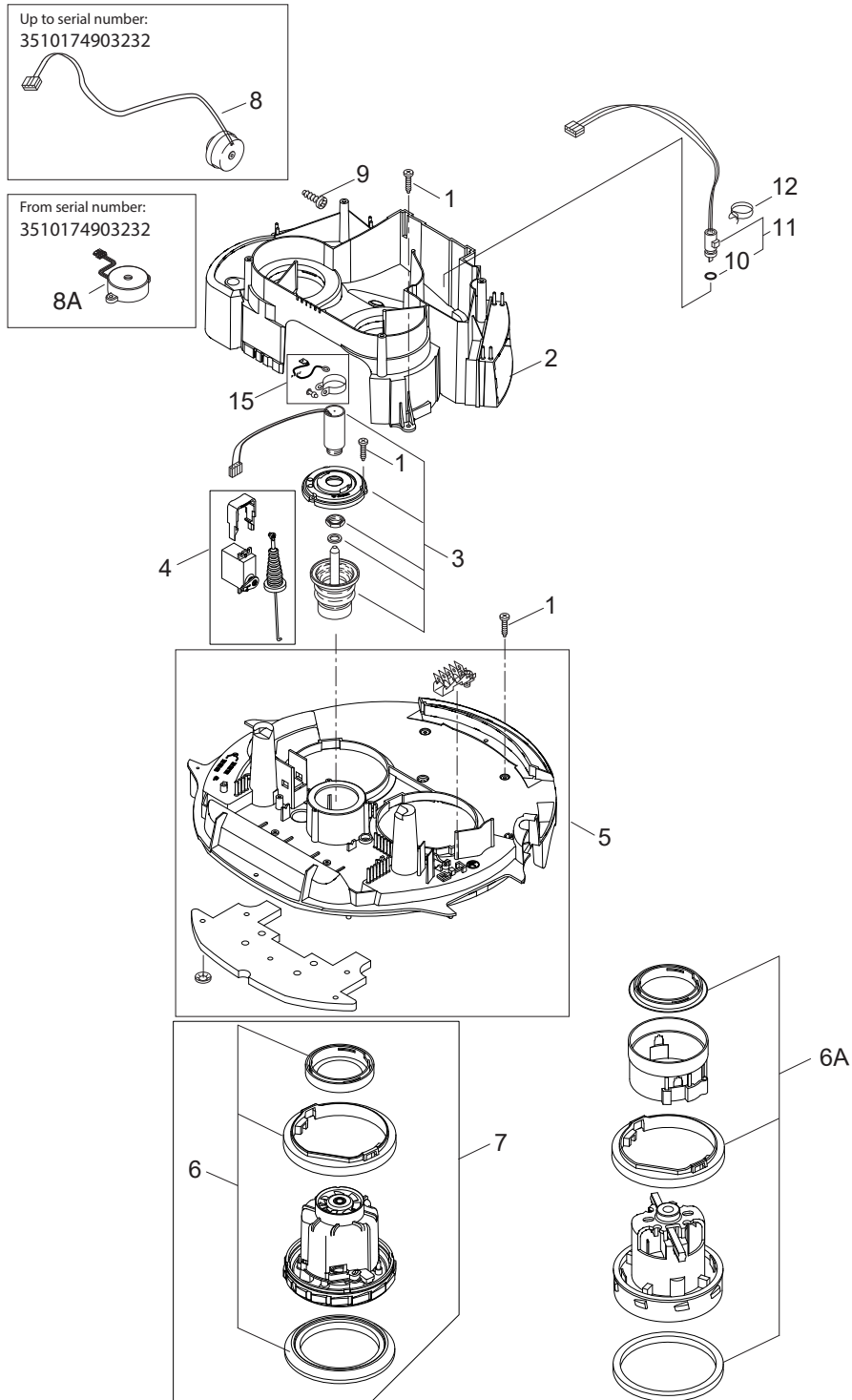
---



---

Pos.	Product no	QTY	Description	Notes
1	302003376	1	SCREW KIT	
2	302000697	1	GASKET FILTER CR	
3	107400564	1	FILTER ELEMENT D275X187 H-CLASS	
3	107400562	1	FILTER ELEMENT D275X187 PET NANO M-CLASS	
4	107402640	1	DEFLECTOR 318X180X212 KIT	
5	302000385	1	FILTER SUPPORT CAGE 216X97X177 PE	
6	107402653	1	FILTER RETAINING PLATE D251	
7	302001139	1	TENSION JACK H	

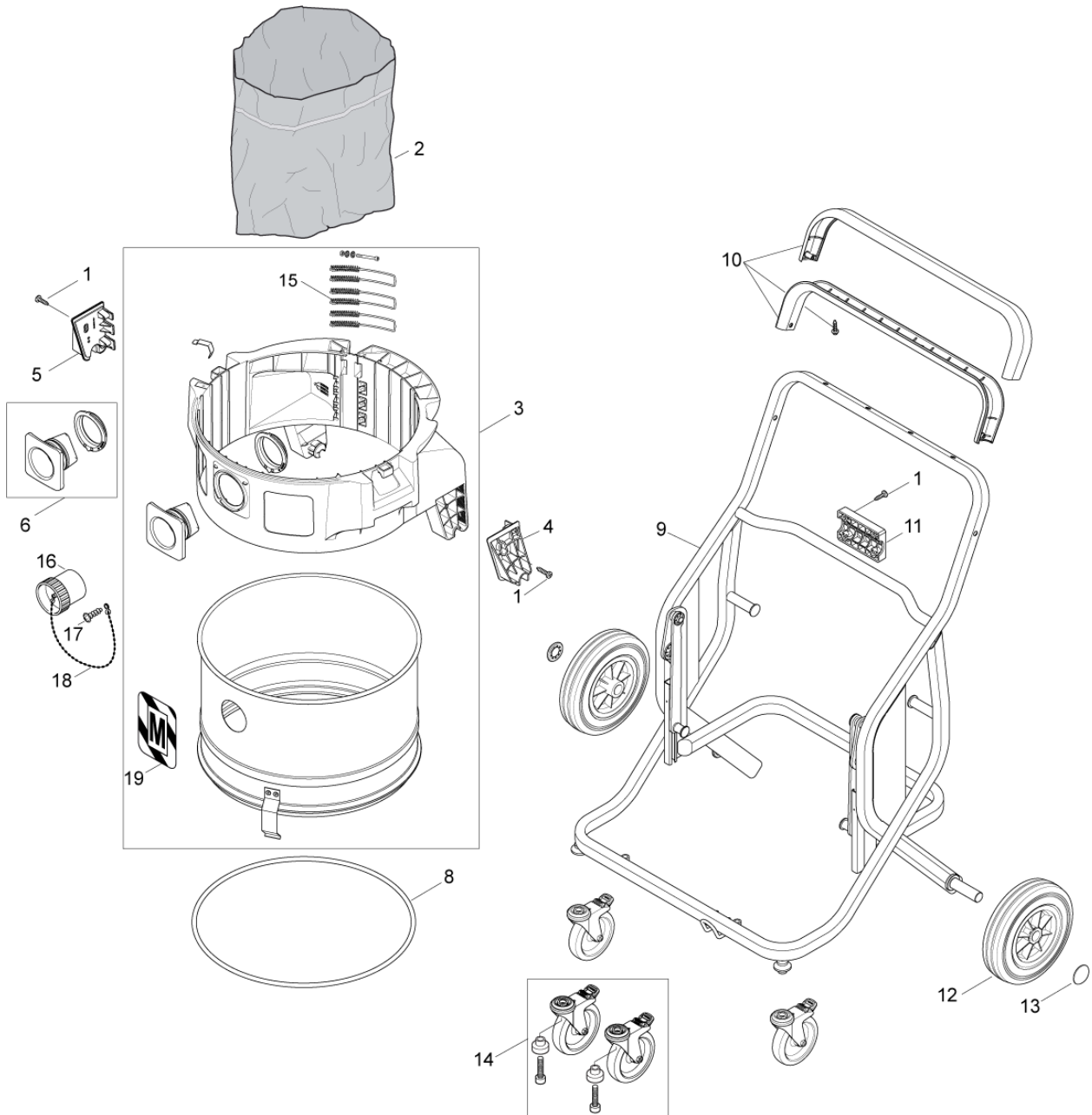
---



Pos.	Product no	QTY	Description	Notes
1	302003319	1	SCREW KIT ATTIX/IVB	
2	107400043	1	AIRGUIDE ATTIX 9 KIT	
3	107400291	1	MAGNET 24V FPR 230V MACHINE	
4	302003421	1	SERVO MOTOR	
5	302003423	1	CLAMPING PLATE XC	
6	302003390	1	SEALING KIT S	
6A	302003385	1	SEALING KIT R	
7	302003386	1	MOTOR KIT 1000W 230V	
7	302003388	1	MOTOR KIT 1000W 120V	
7	302003384	1	MOTOR KIT 1200W 230V	
8	107400579	1	PIEZO BUZZER	[1]
8A	107416958	1	BUZZER KIT1	[2]
9	14418	1	SCREW 4.2X13 ISO 7049	
10	55416	1	O-RING 4.0X1.5 NBR70	
11	302000428	1	ELECTRONICS FLOW SENSOR SET 1	
12	107400578	1	HOSE CLAMP D10	
15	107402836	1	EARTH CLIP FOR MAGNET - KIT	[3]

Part Notes:

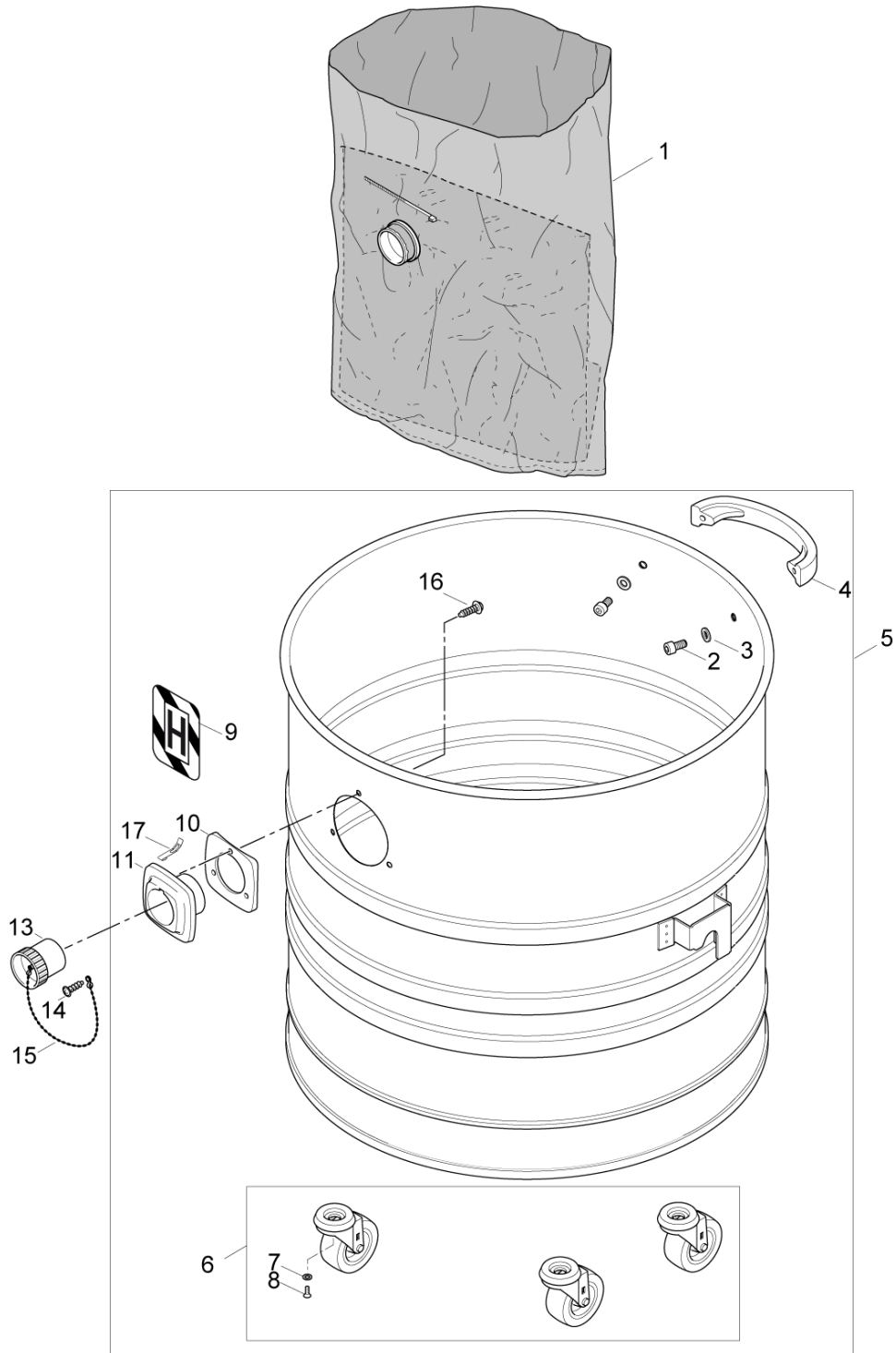
- [1] - Up to serial number 3510174903232  
PB-COM-LI-2018-002 ATTIX 965 H-M, IVB 965 H-M\_New Electronics
- [2] - From serial number 3510174903232  
PB-COM-LI-2018-002 ATTIX 965 H-M, IVB 965 H-M\_New Electronics
- [3] - STOCK COVERS GUARANTEE



Pos.	Product no	QTY	Description	Notes
1	302003319	1	SCREW KIT ATTIX/IVB	
2	302001480	1	DISPOSAL BAG ATTIX 7 5 PCS	
3	302003712	1	METALBELT SD-H ATTIX9	
4	302002895	1	FITTING PLATE RH	
5	302002896	1	FITTING PLATE LH	
6	302003380	1	INLET FITTING KIT ATTIX 9/IVB9	[1]
8	302002608	1	GASKET D8 X D394	
9	302003087	1	PREASSEMBLED SD CHASSI	
10	302003418	1	HANDLE KIT	
11	302002769	1	SD CHASSIS MOUNT	
12	107401077	2	WHEEL 200X50 KIT	
13	3750	2	WHEEL CAP D20	
14	107401054	1	CASTOR TURNABLE WITH BRAKE KIT	
15	909100383	1	SPRING 1.40X7.5X113	
16	14775	1	HOSE INLET PLUG 50MM	
17	24738	1	SCREW KA35X 8 WN1411	
18	30081	1	BEAD CHAIN 150MM WITH EYES ST/	
19	302003710	1	LABEL WARNING M 80X80	

Part Notes:

[1] - See STI VAC-094



Pos.	Product no	QTY	Description	Notes
1	302003473	1	SAFETY FILTER BAG H ATTIX 9. 5 PCS	
2	14664	2	RAISED DOME HEAD SCREW M6X12 DIN 7985 A2	
3	14805	2	WASHER 6.4X1.6 X 18 A ISO 7093-1 VA	
4	14663	1	BOW-TYPE HANDLE M6 TURBO-D	
5	302003713	1	CONTAINER FOR INTAKEFITTING SD	
6	107401920	1	CASTER D50X20 H64 KIT	
7	6100718	3	WASHER 10X16X1	
8	24310	3	COUNTERSUNK SCREW M8X16	
9	302003709	1	LABEL WARNING H 80X80	
10	11167	1	ADAPTER RING PVC	
11	11180	1	INLET FITTING DN50 PA	
13	14775	1	HOSE INLET PLUG 50MM	
14	24738	2	SCREW KA35X 8 WN1411	
15	30081	1	BEAD CHAIN 150MM WITH EYES ST/	
16	302004029	3	SCREW PT50X18	
17	17742	1	CONTACT SPRING B1 VA	



---

Pos.	Product no	QTY	Description	Notes
00	302001480	1	DISPOSAL BAG ATTIX 7 5 PCS	
00	302003473	1	SAFETY FILTER BAG H ATTIX 9. 5 PCS	
00	107400564	1	FILTER ELEMENT D275X187 H-CLASS	



# RECOMMENDED SPARE PARTS

ATTIX 965-H/M SD XC

2017.11.02

2016.06.06

Pos.	Product no	QTY	Description	Notes
01	302000514	1	GASKET	
01	302002608	1	GASKET D8 X D394	
01	107402666	1	POWERCORD 1.5X10.8M CEE7 EU	
01	302002791	1	WIRE NETZ H07RN-F3G1.0X10.8M	
01	302003385	1	SEALING KIT R	
01	17742	1	CONTACT SPRING B1 VA	
01	14663	1	BOW-TYPE HANDLE M6 TURBO-D	
01	302001432	1	GASKET CONTAINER	
01	6100718	1	WASHER 10X16X1	
01	302002896	1	FITTING PLATE LH	
01	302003423	1	CLAMPING PLATE XC	
01	107401054	1	CASTOR TURNABLE WITH BRAKE KIT	
01	302002789	1	CABLE 10.6 METER CH	
01	30081	1	BEAD CHAIN 150MM WITH EYES ST/	
01	302003383	1	CLAMP KIT ATTIX 9/IVB 9	
01	302003707	1	ELECTRONICS I-0-II XC FLOW	[1]
01	302003708	1	ELECTRONICS AUTO-0-1 XC FLOW	[2]
01	107400564	1	FILTER ELEMENT D275X187 H-CLASS	
01	302003388	1	MOTOR KIT 1000W 120V	
01	107400043	1	AIRGUIDE ATTIX 9 KIT	
01	302001480	1	DISPOSAL BAG ATTIX 7 5 PCS	
01	3750	1	WHEEL CAP D20	
01	107400575	1	TURNING KNOB FOR POTI - BLACK	
01	107401920	1	CASTER D50X20 H64 KIT	
01	302003397	1	MOTOR COOLING DIFFUSER ATTIX9 / IVB9	
01	302003473	1	SAFETY FILTER BAG H ATTIX 9. 5 PCS	
01	107402653	1	FILTER RETAINING PLATE D251	
01	302002790	1	LTG NETZ H07BQ-F3G2.5X10.8M CE	
01	302003421	1	SERVO MOTOR	
01	11180	1	INLET FITTING DN50 PA	
01	302003398	1	EXHAUST AIR FILTER ATTIX9/IVB9	
01	302003709	1	LABEL WARNING H 80X80	
01	24310	1	COUNTERSUNK SCREW M8X16	
01	302002788	1	LTG NETZ H07RN-F3G1.5X10.6M	
01	107401077	1	WHEEL 200X50 KIT	
01	302003710	1	LABEL WARNING M 80X80	
01	302000428	1	ELECTRONICS FLOW SENSOR SET 1	
01	302003380	1	INLET FITTING KIT ATTIX 9/IVB9	
01	14775	1	HOSE INLET PLUG 50MM	
01	302003425	1	HOOD KIT	
01	302002895	1	FITTING PLATE RH	
01	302003598	1	BASE PLATE XC	
01	107413313	1	FIXTURE 72X32X52 - KIT	
01	302003422	1	FILTER CLEAN SYSTEM XC	
01	302003384	1	MOTOR KIT 1200W 230V	
01	107402835	1	CONTACT SPRING WIRE AND FASTON	
01	302001139	1	TENSION JACK H	
01	107400291	1	MAGNET 24V FPR 230V MACHINE	
01	909100204	1	ROTARY KNOB 6X5 ALTO BLUE	
01	302002590	1	HANDLE BAR BLACK PP	
01	107400579	1	PIEZO BUZZER	
01	302000697	1	GASKET FILTER CR	
01	302003390	1	SEALING KIT S	
01	302003386	1	MOTOR KIT 1000W 230V	
01	302003712	1	METALBELT SD-H ATTIX9	
01	11167	1	ADAPTER RING PVC	
01	302000429	1	ELECTRONIC POTENTIOMETER	
01	302000385	1	FILTER SUPPORT CAGE 216X97X177 PE	

# RECOMMENDED SPARE PARTS

ATTIX 965-H/M SD XC

2017.11.02

2016.06.06

---

## Part Notes:

- [1] - 0H/M
- [2] - 2H/M

