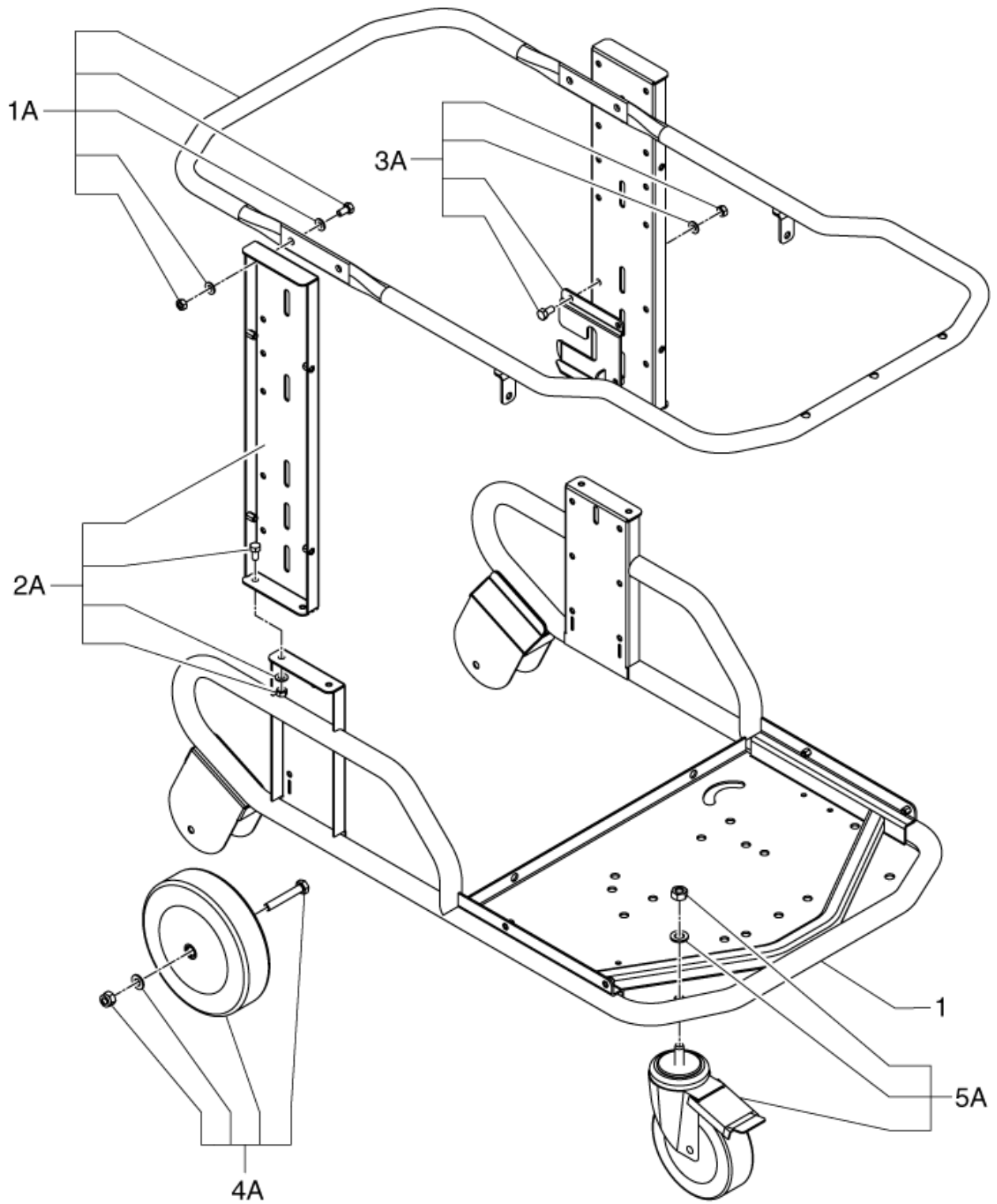


PARTS LIST

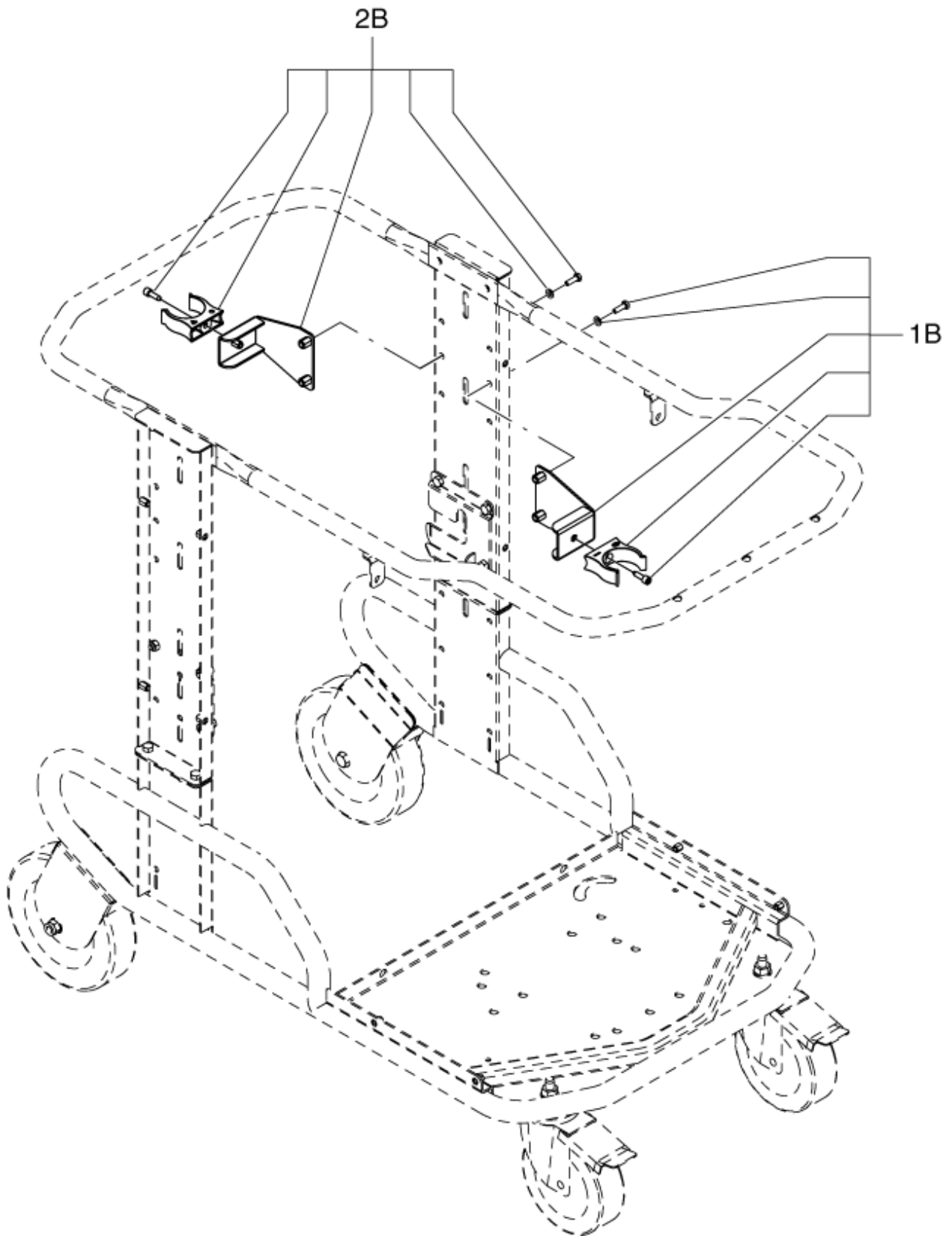
2020.03.20

TABLE OF CONTENTS

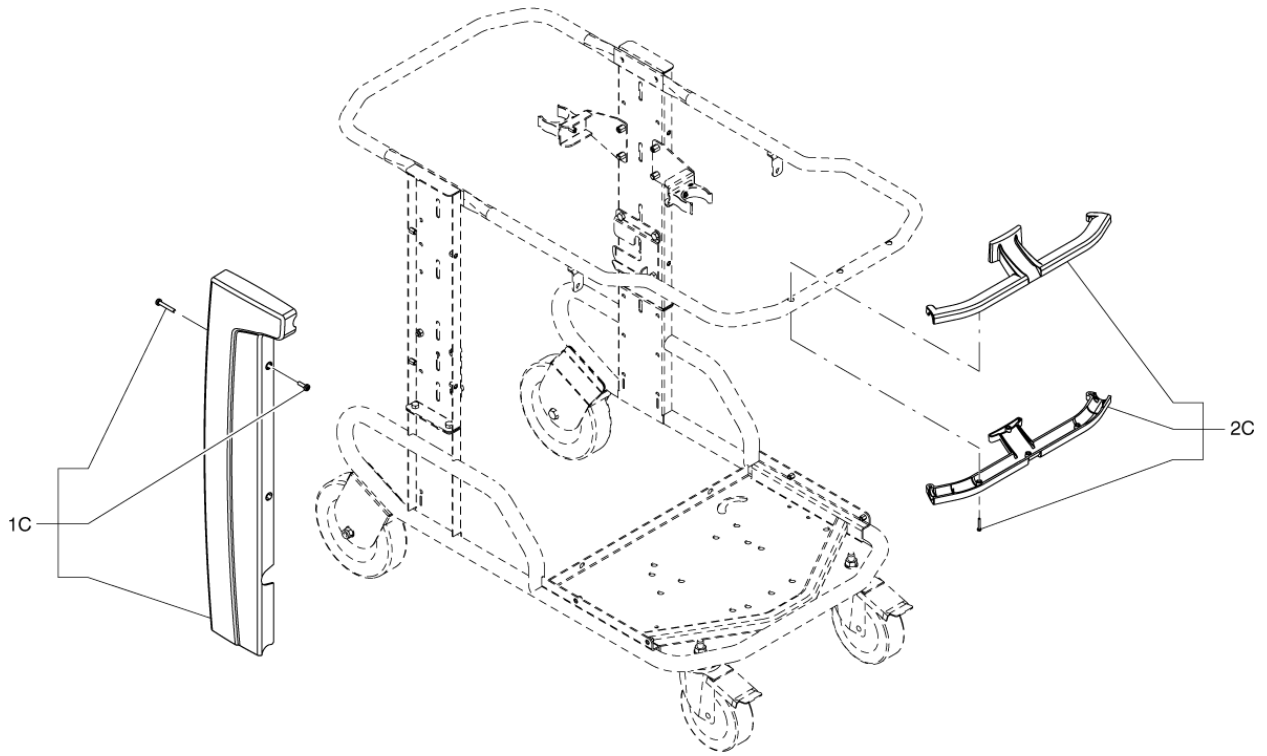
Car 01	1
Car 02	3
Car 03	5
Car 04	7
Container unit	9
Shaker unit	11
Filter group	13
Vaucoumeter	15
Liquid kit	17
Suction unit	19
Connection suction unit	21
Recommended Spare Parts	23



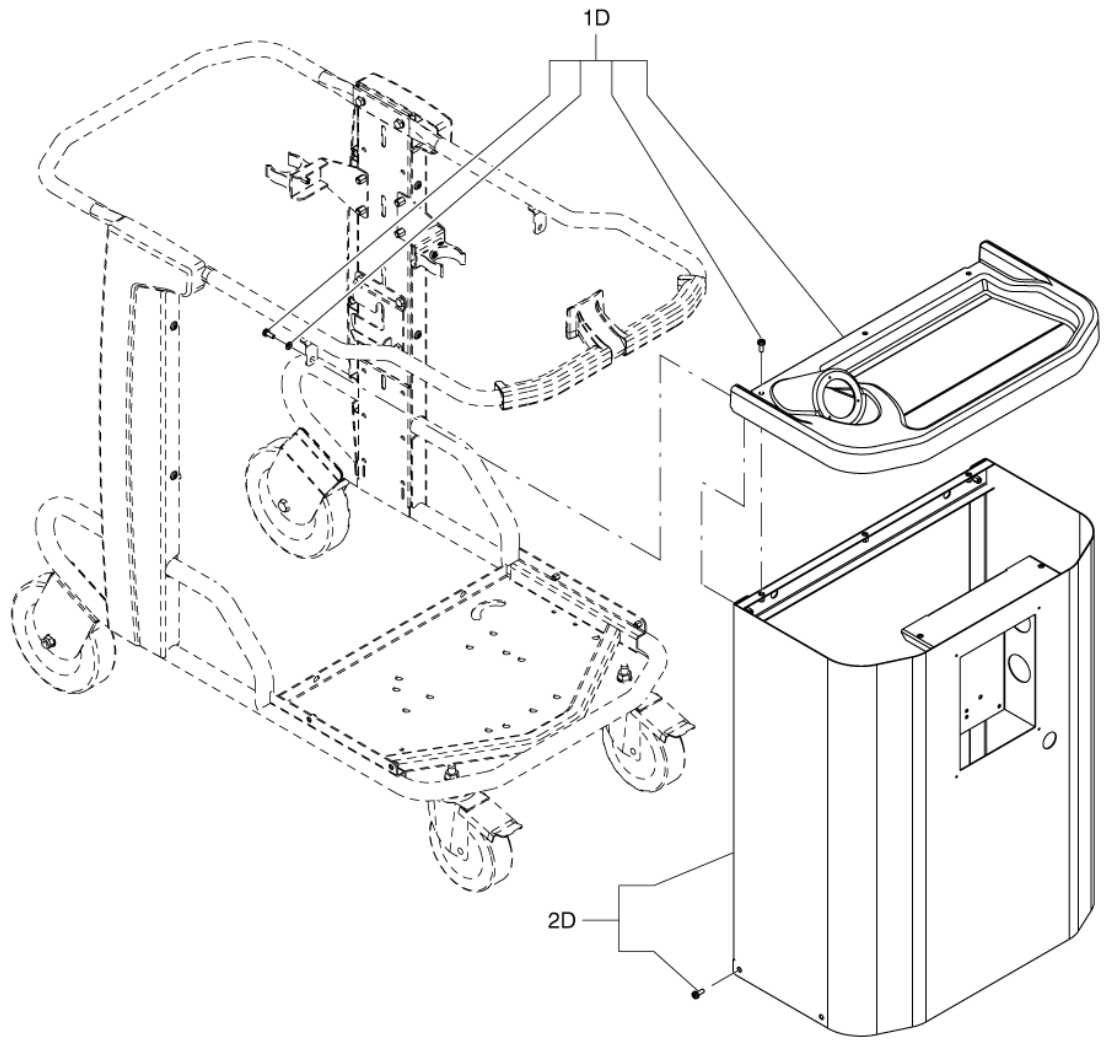
Pos.	Product no	QTY	Description	Notes
01	4083600656	1	TROLLEY FOR MODEL T22-T40-T40W	
01A	40000962	1	HANDLE KIT	
02A	40000871	1	UPRIGHT KIT	
03A	40000872	1	BIN RELEASE KIT	
04A	40000873	1	WHEEL D200 KIT	
05A	40000874	1	KIT 2 REVOLV. CASTORS D150	



Pos.	Product no	QTY	Description	Notes
01B	40000856	1	HOSE HOLDER KIT	
02B	40000856	1	HOSE HOLDER KIT	



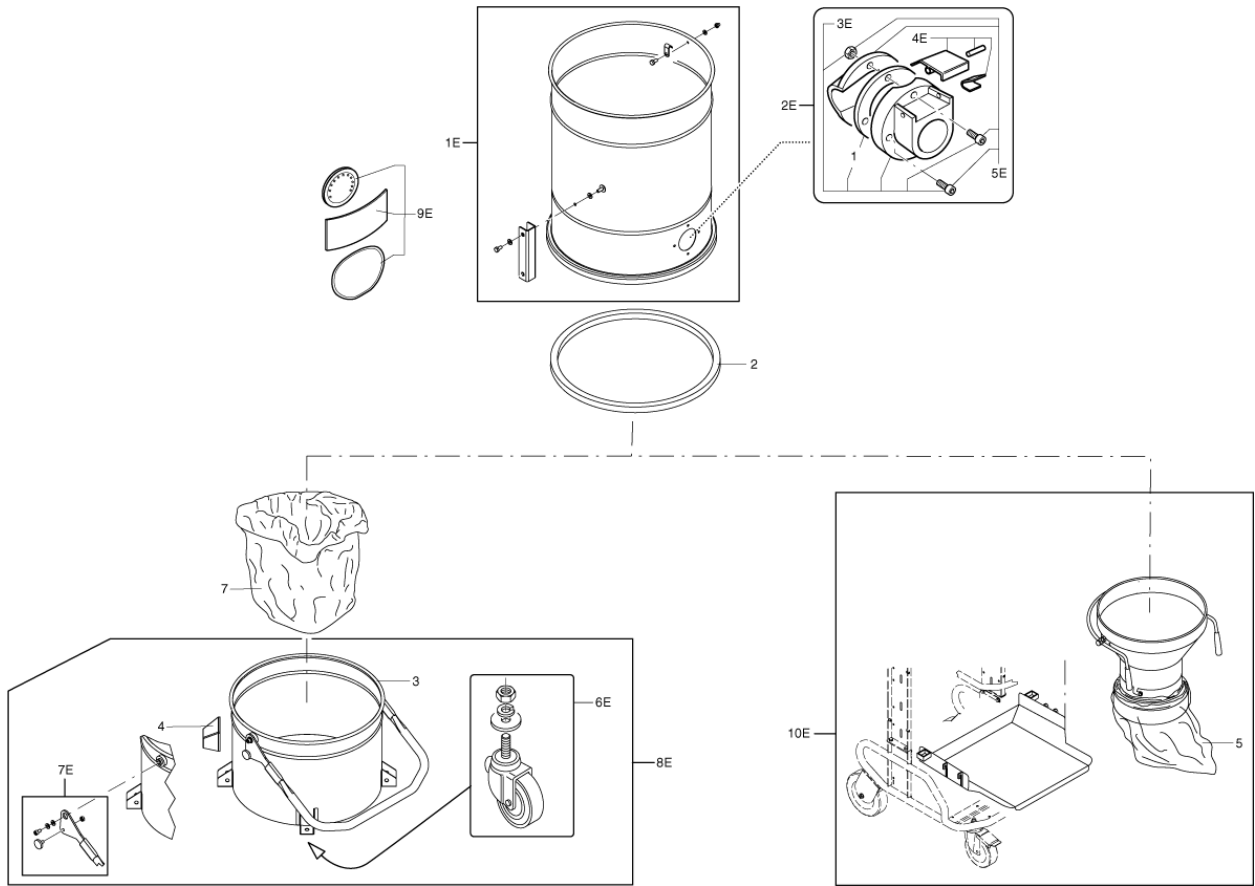
Pos.	Product no	QTY	Description	Notes
01C	40000864	1	UPRIGHT PROTECTION KIT	
02C	40000855	1	HANDLE KIT	



Pos.	Product no	QTY	Description	Notes
01D	40000963	1	COMPARTMENT KIT	[1]
02D	40000964	1	CARTER KIT	

Part Notes:

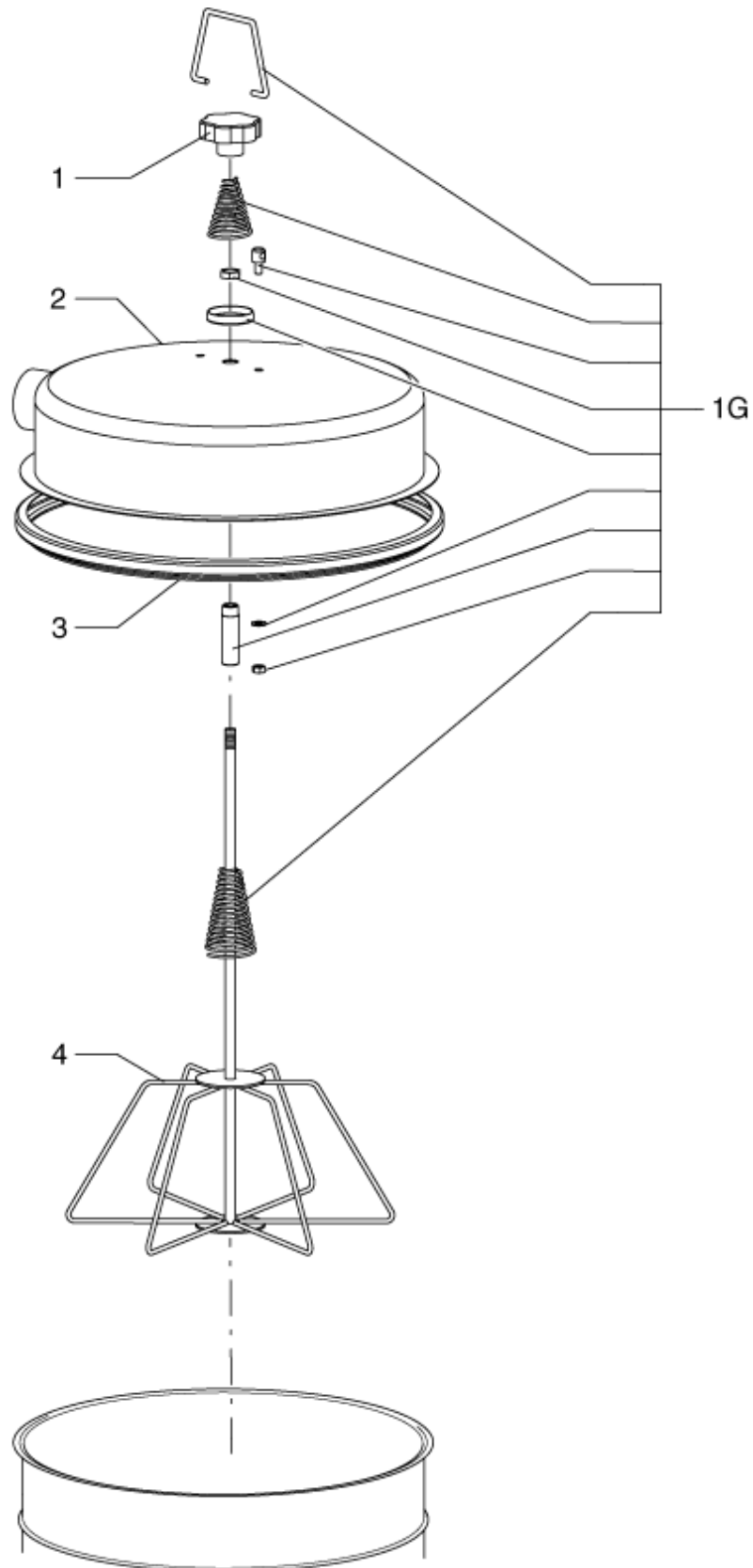
[1] - CONTACT PM IN ZOCCA



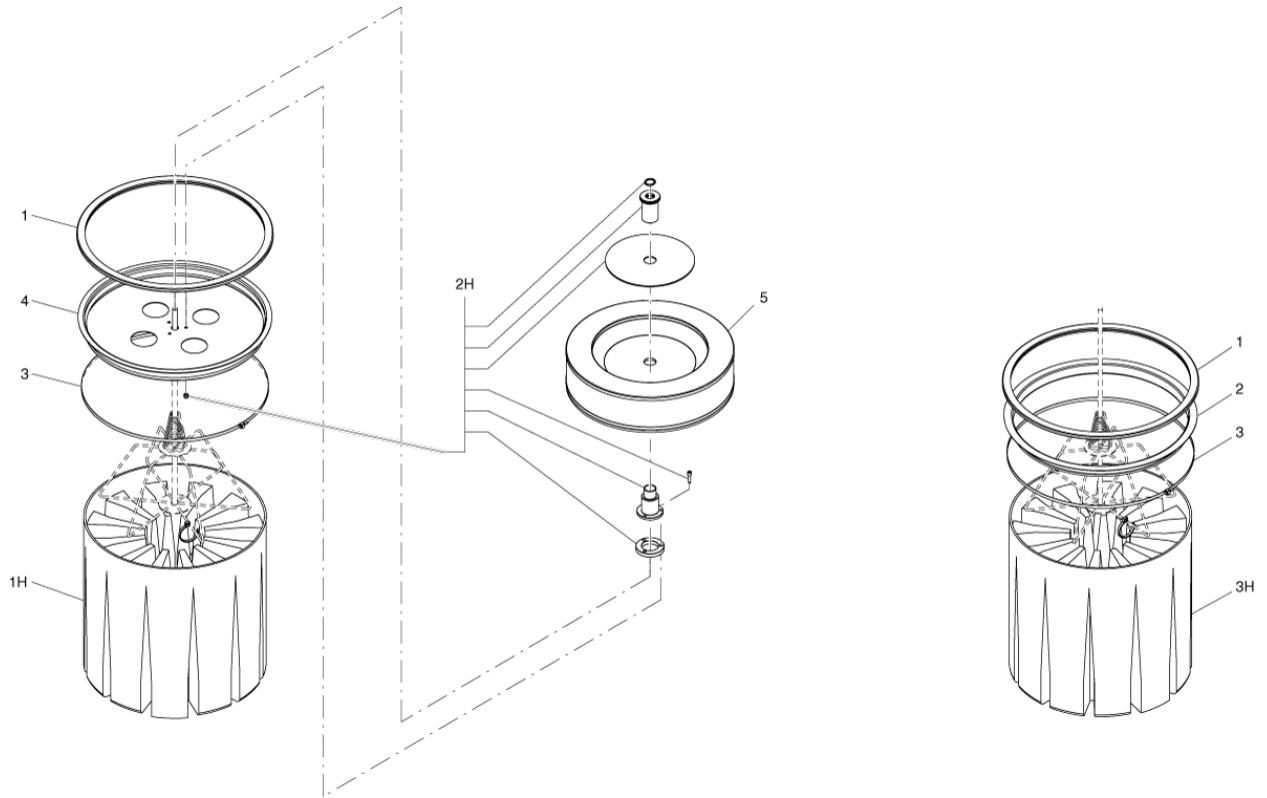
Pos.	Product no	QTY	Description	Notes
01	Z8 17006	1	INLET SEAL D70	
01E	40000869	1	FILTER CHAMBER KIT	
02	40000762	1	SEAL	
02E	40000868	1	D70 INLET FULL KIT	
03	4083000493	1	BIN D460 L50 MODEL-S2-S3	
03	4083000552	1	BIN D460 S3 L100 GRILL AND DEP	[1]
03	4083000495	1	BIN D460 L100 FOR MODEL S3	
03E	40000867	1	D70 INLET KIT	
04	Z8 17021	4	BUMPER WHEEL HOLDER	
04E	40000345	1	KIT PUSHBUTTON FOR INLET D70	
05	4084001017	1	PACKAGE OF 5 BAGS D460 LDPE	
05	4084000956	1	MINI PACKAGE 4x20 MT 68 MICRON LONGOPAC	
05E	40000395	1	KIT DEFLECTOR D70	
06E	40000419	1	KIT CASTORS FOR CONTAINER	
07	Z8 40099	1	BAG POLYETHYLENE LDPE 3306	
07E	40000879	1	HANDLE KIT L100	
07E	40000866	1	HANDLE KIT L50	
08E	4083000497	1	COMP.BIN D460 L100 M.S3	
08E	4083000555	1	COMPLETE BIN D460 L100 S3 F.DEPR	
08E	40000985	1	STICKER KIT	
08E	4083000496	1	COMP.BIN D460 L50 M.S2-S3	
10E	4056000468	1	DISCHARGE KIT MS2-S3-T30S	

Part Notes:

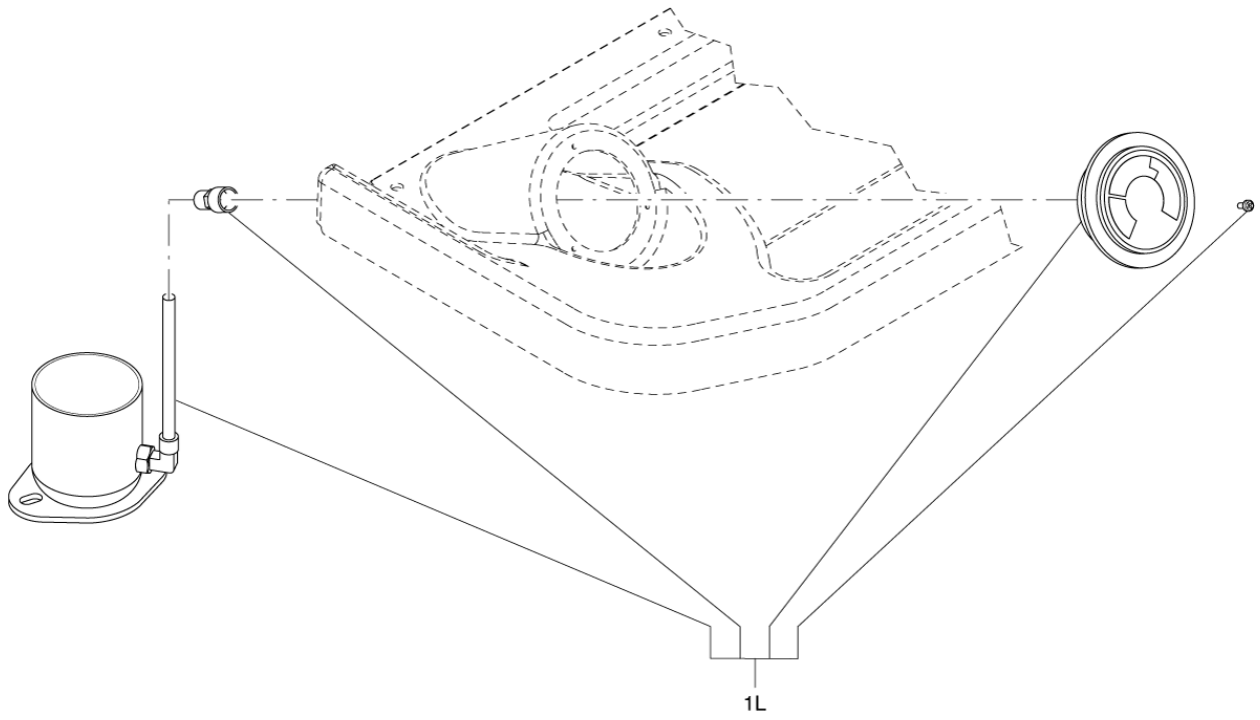
[1] - CONTACT PM IN ZOCCA



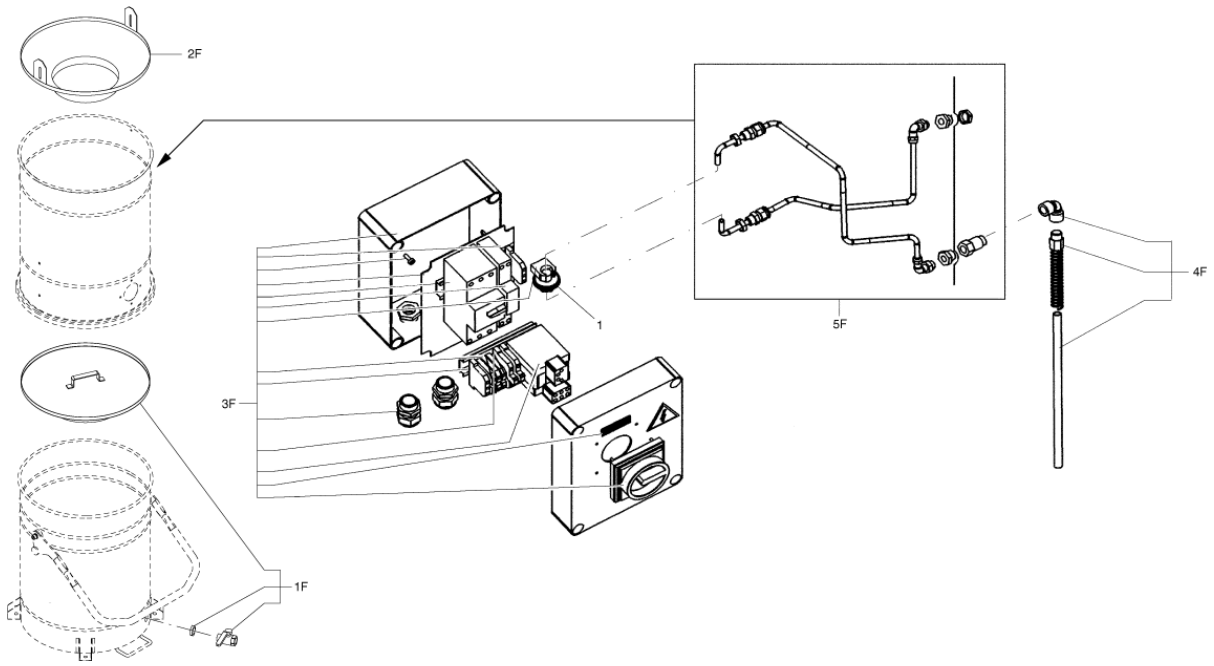
Pos.	Product no	QTY	Description	Notes
01	Z8 40027	1	KNOB D70 M12 NO HOLE	
01G	40000313	1	KIT FILTER SHAKER FE	
02	Z8 31643	1	COVER D460 M.SOL RAL7001	
03	Z8 36191	1	BAND LOCK D.460	
04	Z8 33324	1	STAR CAGE D460 FE x SOL	



Pos.	Product no	QTY	Description	Notes
01	Z8 17026	1	FILTER SEAL D460 BLACK	
01H	40000338	1	KIT STAR FILTER D460 L CLASS	
02	Z8 15003	1	FILTER HOLDER RING D460 FE	
02H	40000967	1	ABSOLUTE FILTER SUPPORT KIT	
03	4081801387	1	FILTER BLOCK TIE D460 SS AISI304	
03	Z8 18079	1	FILTER BLOCK TIE D460	
03H	40000492	1	STAR FILTER KIT D460 M CLASS	
03H	40000338	1	KIT STAR FILTER D460 L CLASS	
04	4081500200	1	ABSOLUTE FILTER DISC 3306 FE	
05	4081700935	1	ABSOLUTE FILTER 415X100 S2S-S3	



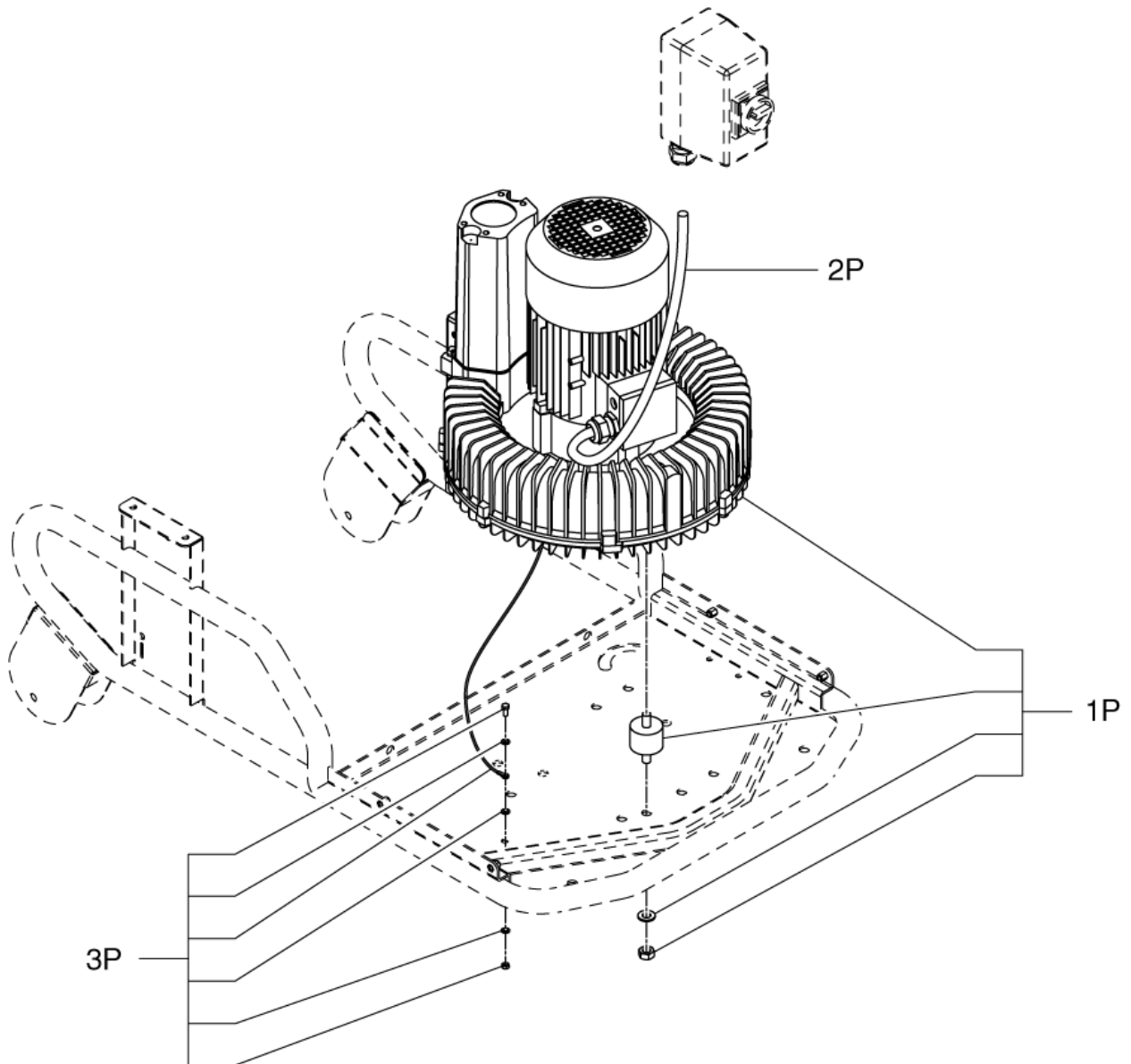
Pos.	Product no	QTY	Description	Notes
01L	40000968	1	4500 VACUUM GAUGE KIT	
01L	40000969	1	3000 VACUUM GAUGE KIT	



Pos.	Product no	QTY	Description	Notes
01	Z8 40841	1	PRESSURE-SWITCH 10MBAR NO	
01F	Z5 60034	1	GRID AND VALVE D460 FE COMPLETE	
02F	Z5 60109	1	REMOVABLE CYCLONE D460 FE COMPLETE BIG	
03F	40000478	1	ELECTRIC PANEL FOR LIQUIDS KIT	
04F	40000966	1	LEVEL CONTROL INT. HOSE KIT	
05F	40000965	1	LEVEL CONTROL EXT. HOSE KIT	[1]

Part Notes:

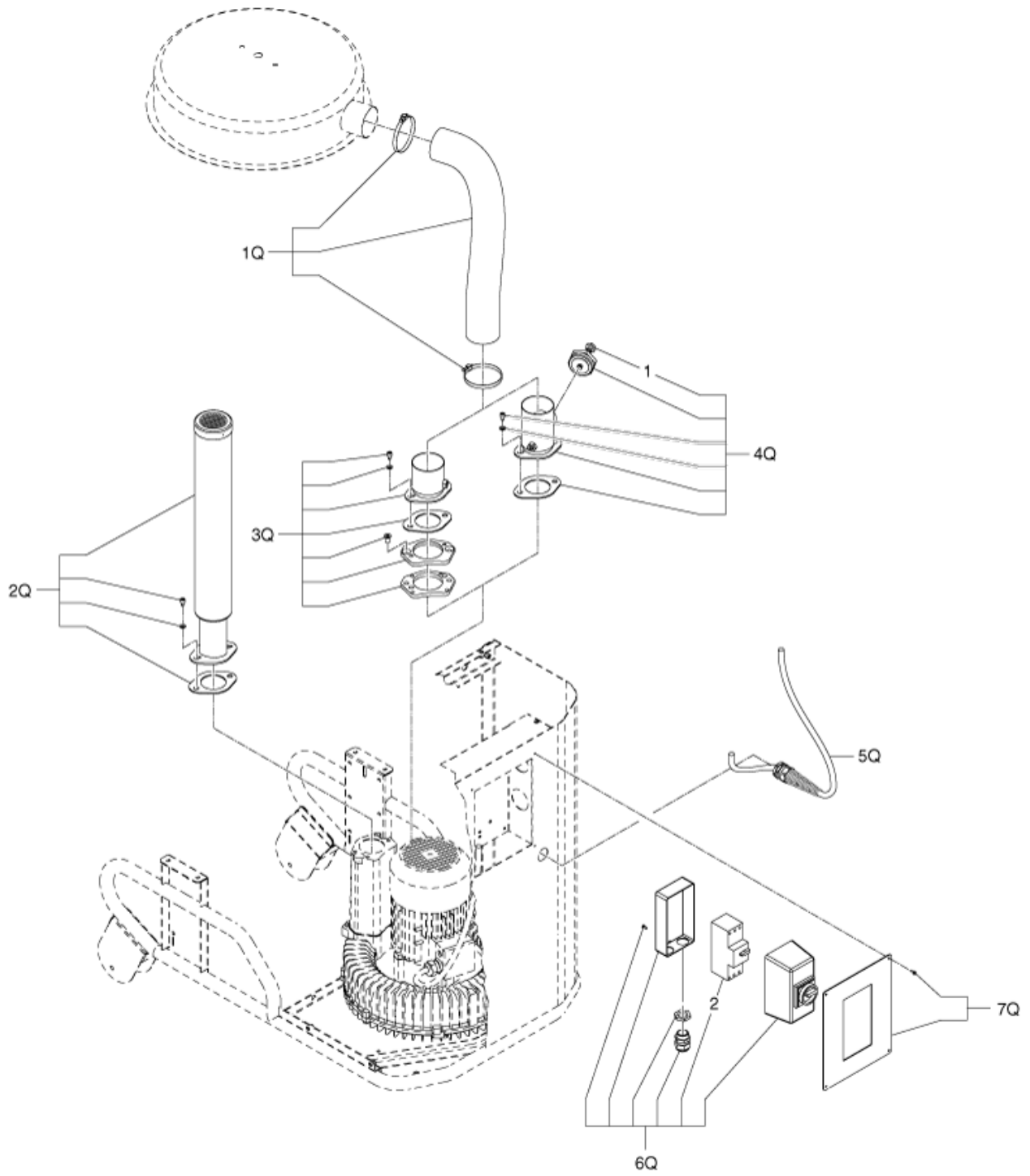
[1] - CONTACT PM IN ZOCCA



Pos.	Product no	QTY	Description	Notes
01P	40000973	1	SUCTION UNIT KIT MOD. T40W	
01P	40000975	1	SUCTION UNIT KIT V265/400 H60	[1]
01P	40000974	1	SUCTION UNIT KIT V208/346 H60	
02P	40000976	1	MOTOR POWER CORD KIT V220 H60	
02P	40000876	1	MOTOR POWER CORD	
03P	40000877	1	GROUND CABLE KIT	[1]

Part Notes:

[1] - CONTACT PM IN ZOCCA



Pos.	Product no	QTY	Description	Notes
01	Z8 30324	2	CONTAINER D360X235 INOX FORGED X 3156	
01Q	40000716	1	SUCTION HOSE KIT	
02	Z8 39535	1	CIRCUIT BREAKER 14-20 A SIRIUS S0	[1]
02	4083901540	1	CIRCUIT BREAKER 9-12.5 A SIR.IN.S00	
02	Z8 39675	1	CIRCUIT BREAKER 25-32 A PKZM0	
02	Z8 39014	1	CIRCUIT BREAKER 11-16 A SIRIUS S0	[2]
02Q	40000980	1	SILENCER KIT	
03Q	40000977	1	SUCTION CONNECTION KIT	
04Q	40000981	1	D70 SUCTION CONNECTION KIT WITH TWO	
05Q	40000838	1	POWER CABLE V230 HZ60KIT	[3]
05Q	40000978	1	POWER CABLE KIT 16A PLUG	
05Q	40000840	1	POWER CABLE V440 HZ60 KIT	[3]
06Q	40000573	1	ELECTRICAL KIT	
06Q	40000982	1	ELECTRIC INSTALL KIT V220 H60	
06Q	40000984	1	ELECTRIC INSTALL KIT V220 H50	[3]
06Q	40000983	1	ELECTRIC INSTAL KIT V400 H60	
07S	40000979	1	CARTER KIT	[3]

Part Notes:

- [1] - CONTACT PM IN ZOCCA-CHECK EC
- [2] - NO MORE AVAILABLE
- [3] - CONTACT PM IN ZOCCA

Recommended Spare Parts

T40W

2017.11.02

2017.10.27

Pos.	Product no	QTY	Description	Notes
	4083000495	1	BIN D460 L100 FOR MODEL S3	
	40000762	1	SEAL	
	40000840	1	POWER CABLE V440 HZ60 KIT	[1]
	Z8 36191	1	BAND LOCK D.460	
	40000866	1	HANDLE KIT L50	
	40000873	1	WHEEL D200 KIT	
	40000983	1	ELECTRIC INSTAL KIT V400 H60	
	40000981	1	D70 SUCTION CONNECTION KIT WITH TWO	
	Z8 33324	1	STAR CAGE D460 FE x SOL	
	40000478	1	ELECTRIC PANEL FOR LIQUIDS KIT	
	4056000468	1	DISCHARGE KIT MS2-S3-T30S	
	40000868	1	D70 INLET FULL KIT	
	40000965	1	LEVEL CONTROL EXT. HOSE KIT	[1]
	Z8 18079	1	FILTER BLOCK TIE D460	
	40000338	1	KIT STAR FILTER D460 L CLASS	
	40000856	1	HOSE HOLDER KIT	
	40000985	1	STICKER KIT	
	40000871	1	UPRIGHT KIT	
	40000969	1	3000 VACUUM GAUGE KIT	
	40000973	1	SUCTION UNIT KIT MOD. T40W	
	4083000555	1	COMPLETE BIN D460 L100 S3 F.DEPR	
	40000876	1	MOTOR POWER CORD	
	Z8 39675	1	CIRCUIT BREAKER 25-32 A PKZM0	
	Z8 40027	1	KNOB D70 M12 NO HOLE	
	40000573	1	ELECTRICAL KIT	
	40000492	1	STAR FILTER KIT D460 M CLASS	
	Z8 31643	1	COVER D460 M.SOL RAL7001	
	40000978	1	POWER CABLE KIT 16A PLUG	
	Z8 17006	1	INLET SEAL D70	
	4084001017	1	PACKAGE OF 5 BAGS D460 LDPE	
	40000395	1	KIT DEFLECTOR D70	
	40000879	1	HANDLE KIT L100	
	40000967	1	ABSOLUTE FILTER SUPPORT KIT	
	4083600656	1	TROLLEY FOR MODEL T22-T40-T40W	
	40000864	1	UPRIGHT PROTECTION KIT	
	40000963	1	COMPARTMENT KIT	[1]
	Z8 39535	1	CIRCUIT BREAKER 14-20 A SIRIUS S0	[2]
	40000980	1	SILENCER KIT	
	40000962	1	HANDLE KIT	
	40000974	1	SUCTION UNIT KIT V208/346 H60	
	40000984	1	ELECTRIC INSTALL KIT V220 H50	[1]
	Z8 15003	1	FILTER HOLDER RING D460 FE	
	40000855	1	HANDLE KIT	
	40000345	1	KIT PUSHBUTTON FOR INLET D70	
	40000975	1	SUCTION UNIT KIT V265/400 H60	[1]
	Z8 17026	1	FILTER SEAL D460 BLACK	
	4081500203	1	HEPA F. FIXING DISK FOR S2-S3	
	40000869	1	FILTER CHAMBER KIT	
	40000982	1	ELECTRIC INSTALL KIT V220 H60	
	40000966	1	LEVEL CONTROL INT. HOSE KIT	
	40000867	1	D70 INLET KIT	
	4083901540	1	CIRCUIT BREAKER 9-12.5 A SIR.IN.S00	
	40000968	1	4500 VACUUM GAUGE KIT	
	4083000493	1	BIN D460 L50 MODEL-S2-S3	
	Z8 40841	1	PRESSURE-SWITCH 10MBAR NO	
	40000964	1	CARTER KIT	
	40000872	1	BIN RELEASE KIT	
	40000838	1	POWER CABLE V230 HZ60KIT	[1]
	4084000956	1	MINI PACKAGE 4x20 MT 68 MICRON LONGOPAC	

Pos.	Product no	QTY	Description	Notes
	Z5 60109	1	REMOVABLE CYCLONE D460 FE COMPLETE BIG	
	4083000496	1	COMP.BIN D460 L50 M.S2-S3	
	40000977	1	SUCTION CONNECTION KIT	
	Z5 60034	1	GRID AND VALVE D460 FE COMPLETE	
	40000716	1	SUCTION HOSE KIT	
	40000313	1	KIT FILTER SHAKER FE	
	4083000552	1	BIN D460 S3 L100 GRILL AND DEP	[1]
	40000877	1	GROUND CABLE KIT	[1]
	40000874	1	KIT 2 REVOLV. CASTORS D150	
	40000976	1	MOTOR POWER CORD KIT V220 H60	
	Z8 39014	1	CIRCUIT BREAKER 11-16 A SIRIUS S0	[3]
	40000979	1	CARTER KIT	[1]
	Z8 17021	1	BUMPER WHEEL HOLDER	
	4081700935	1	ABSOLUTE FILTER 415X100 S2S-S3	
	Z8 40099	1	BAG POLYETHYLENE LDPE 3306	
	Z8 30324	1	CONTAINER D360X235 INOX FORGED X 3156	
	40000419	1	KIT CASTORS FOR CONTAINER	
	4081801387		FILTER BLOCK TIE D460 SS AISI304	

Part Notes:

- [1] - CONTACT PM IN ZOCCA
 [2] - CONTACT PM IN ZOCCA-CHECK EC
 [3] - NO MORE AVAILABLE

