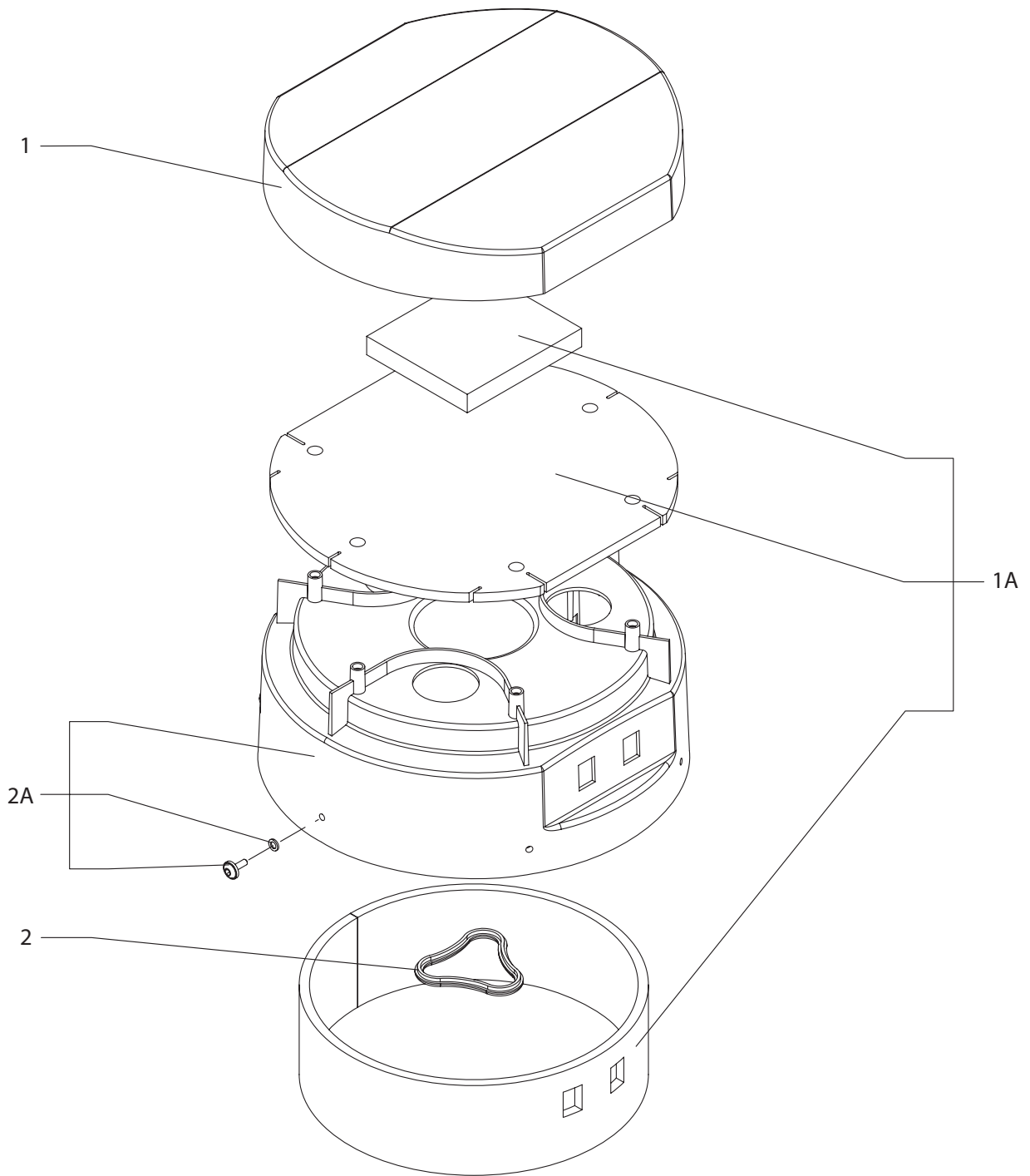


PARTS LIST

2020.09.17

TABLE OF CONTENTS

L205 - 1 - SUCTION UNIT	1
L205 - 2 - SUCTION UNIT	3
L205 - 3 - SUCTION UNIT	5
L205 - 4 - SUCTION UNIT	7
L205 - 5 - SUCTION UNIT	9
L205 - 6 - CONTAINER UNIT	11
L205 - 7 - CONTAINER UNIT	13
L205 - 8 - CONTAINER UNIT	15
L205 - 9 - FRAME	17
L205 - 10 - MUD FILTER KIT	19
L205 - 11 - KIT CHIPS BASKET	21
OPTIONALS	23



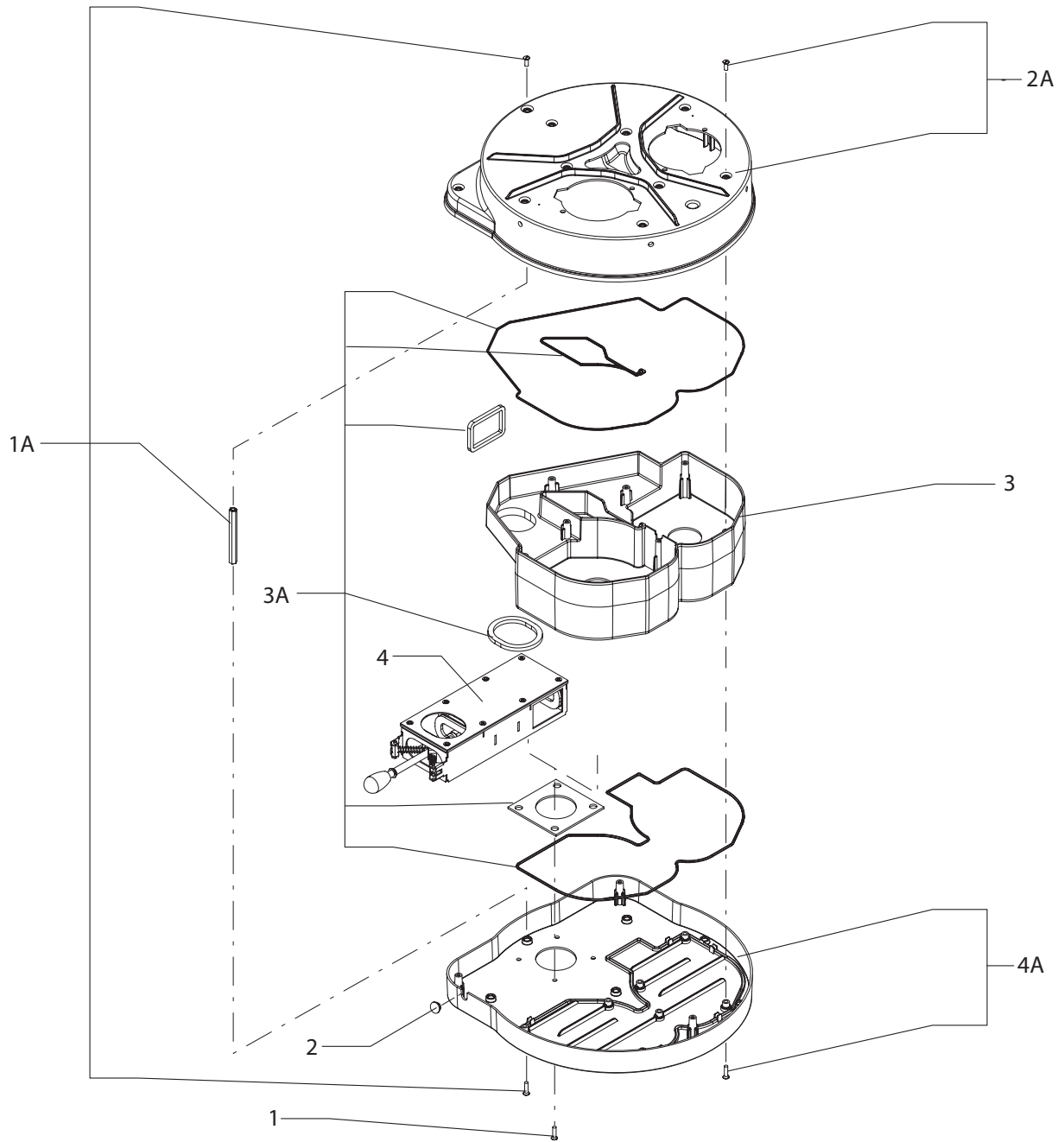
L205 - 1 - SUCTION UNIT

VHO 200

2017.11.02

2019.04.18

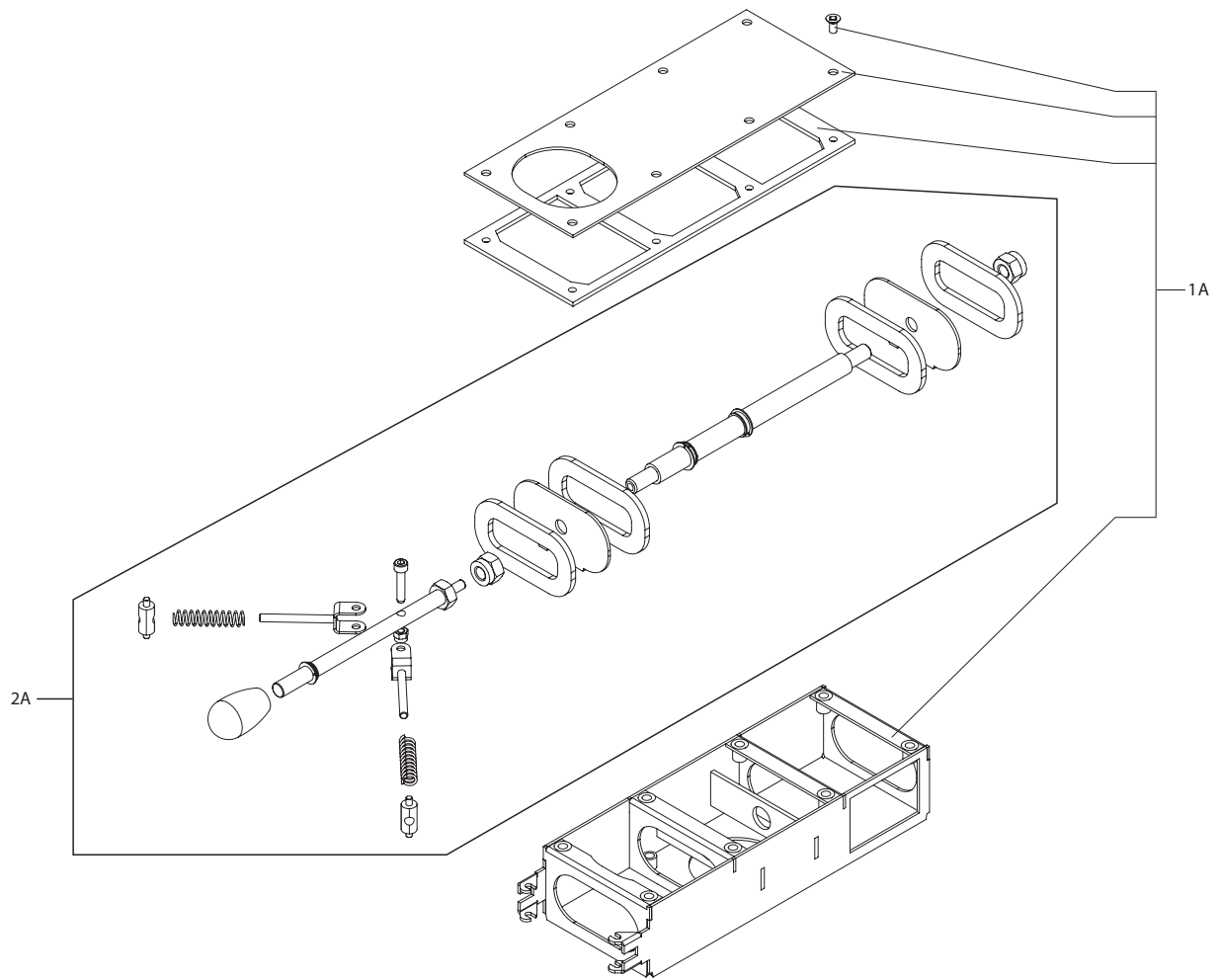
Pos.	Product no	QTY	Description	Notes
1	82160100	1	COVER FOR IX 2000	
2	82161900	1	MANIFOLD SEAL	
1A	40000791	1	SILENCER KIT	
2A	40000792	1	MANIFOLD KIT	



Pos.	Product no	QTY	Description	Notes
1		4	Screw M6x16 UNI 5931 DIN 912	
2	4083901355	1	D8 CABLE GLAND	[1]
3	4081200438	1	AIR CONVEYOR R7016PPT	
4	4083200636	1	DIVERTER VALVE COMPLETE	
1A	40000793	1	SPACER KIT	
2A	40000794	1	MOTOR FIXING KIT	
3A	40000795	1	MOTORHEAD GASKET KIT	
4A	40000796	1	MOTOR HOLDER KIT	

Part Notes:

[1] - NO MORE AVAILABLE



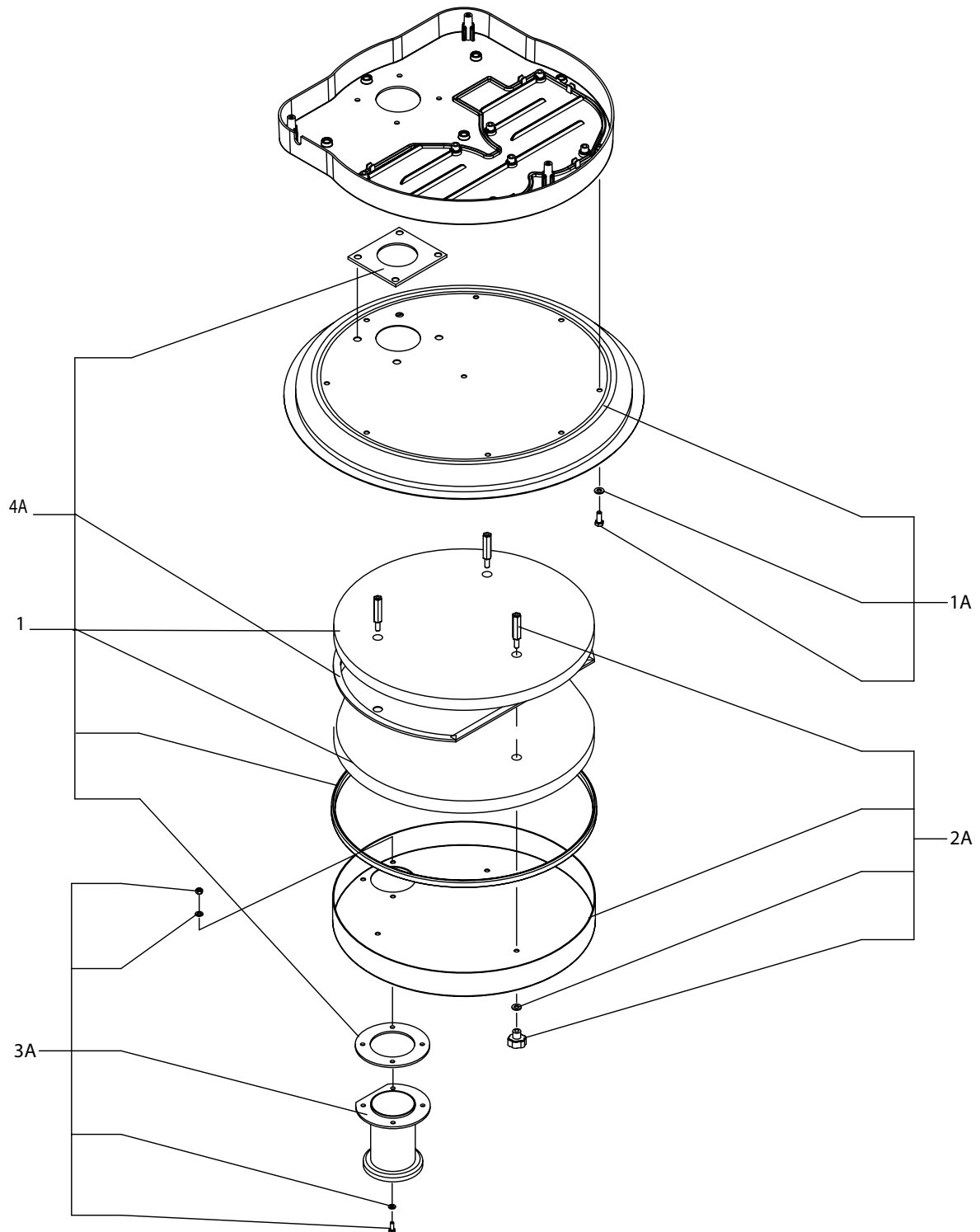
L205 - 3 - SUCTION UNIT

VHO 200

2017.11.02

2019.04.18

Pos.	Product no	QTY	Description	Notes
1A	40000799	1	EXCHANGER KIT	
2A	40000798	1	EXCHANGER LEVER KIT	



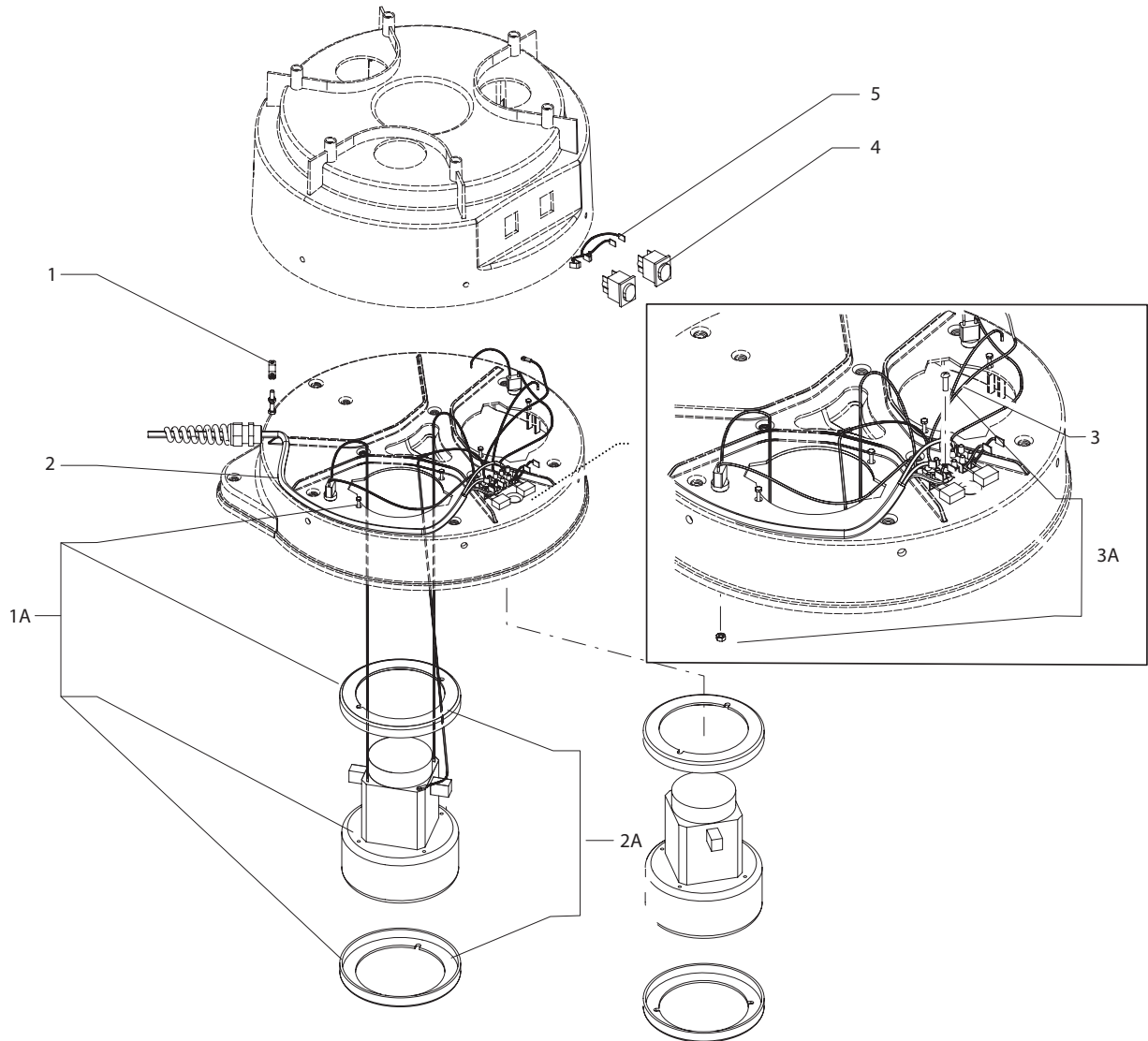
L205 - 4 - SUCTION UNIT

VHO 200

2017.11.02

2019.04.18

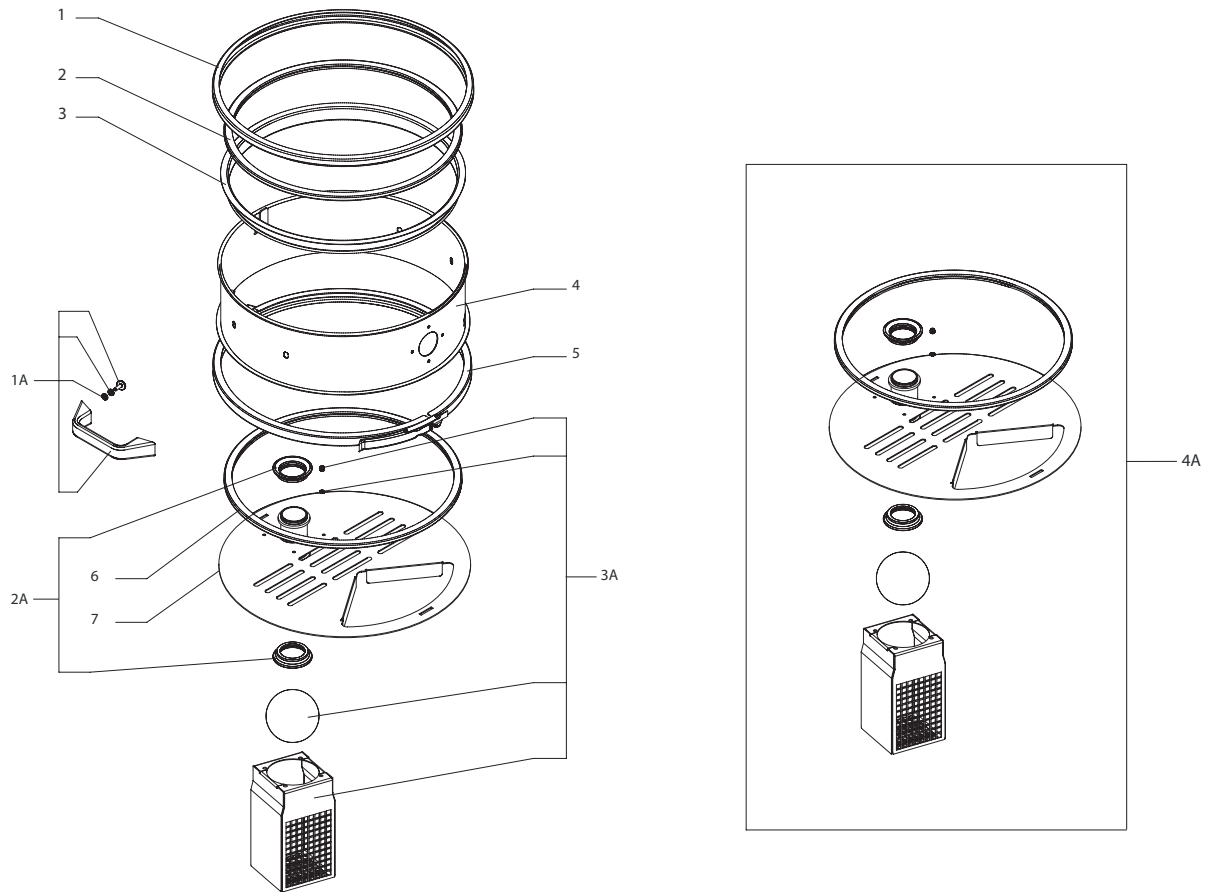
Pos.	Product no	QTY	Description	Notes
1	4081700884	2	MOTOR FILTER WSS-WST	
1A	40000801	1	MOTORHEAD HOLDER KIT	
2A	40000802	1	FILTER HOLDER KIT	
3A	40000804	1	MOTORHEAD SUCTION KIT	
4A	40000795	1	MOTORHEAD GASKET KIT	



Pos.	Product no	QTY	Description	Notes
1	82161200	1	CABLE CLAMP	[1]
2	82161701	1	CABLE 9M. 3G1.5MM2 PVC	[1]
3	4083901339	1	CABLE KIT FOR HEAD WSS-WST	
4	82160600	2	ON/OFF SWITCH	[1]
5	82183400	2	CABLE FOR SWITCH	[1]
1A	40000805	1	MOTOR KIT	
2A	40000807	1	MOTOR GASKET KIT	
3A	40000806	1	MOTORHEAD CABLE KIT	

Part Notes:

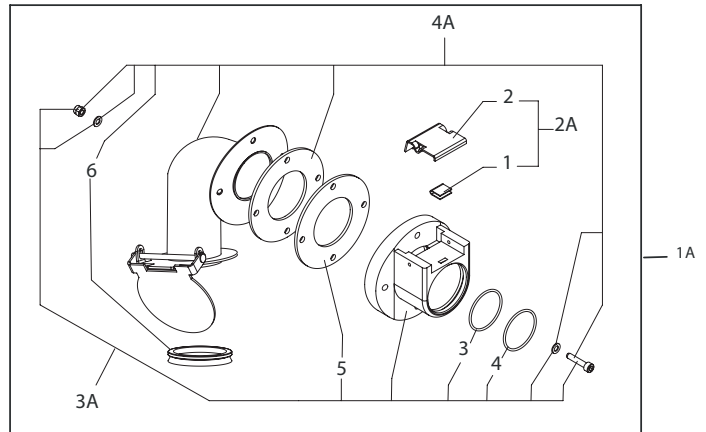
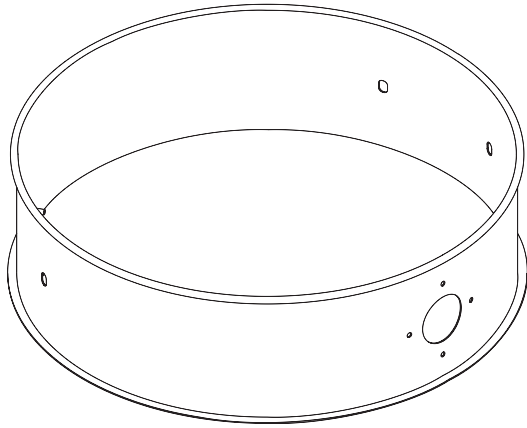
[1] - Old IVAC production products



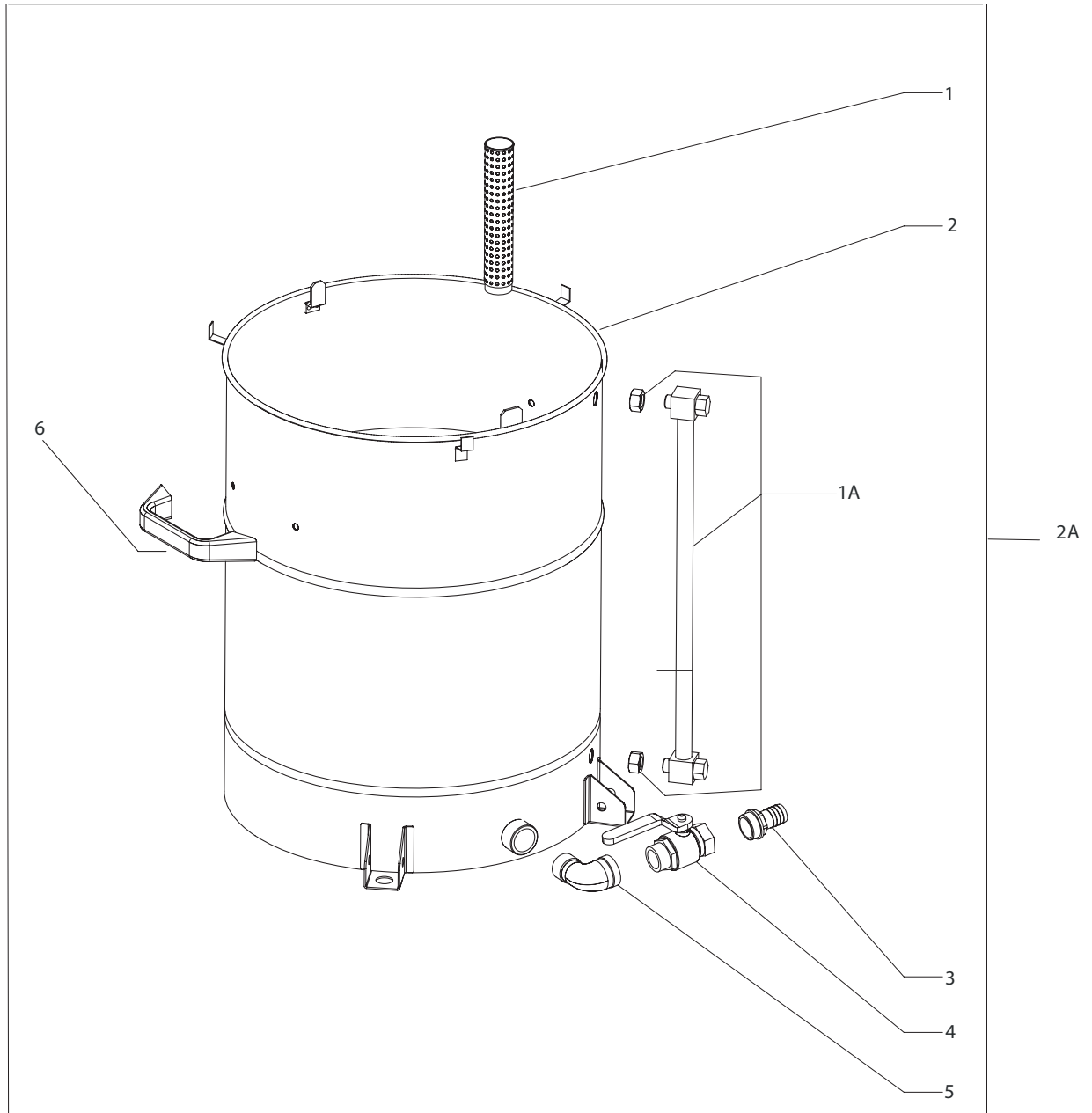
Pos.	Product no	QTY	Description	Notes
1	Z8 36191	1	BAND LOCK D.460	
2	Z8 17459	1	FILTER SEAL D460 OIL TIGHT	
3	Z8 15003	1	FILTER HOLDER RING D460 FE	
4	4083100829	1	FILTER CHAMBER D460X140 M.WSST	
5	Z8 36191	1	BAND LOCK D.460	
6	Z8 17126	1	FILTER SEAL D460 SILIC.	
7	4081200552	1	FLOAT SUPPORT PLATE SS	
1A	40000809	1	HANDLE KIT	
2A	40000810	1	GASKET KIT	
2A	4089100575	1	GASKET KIT SILICON	
3A	40000811	1	FLOATER KIT	[1]
4A	4089100582	1	PLATE FLOATER KIT VHO	

Part Notes:

[1] - NO MORE AVAILABLE



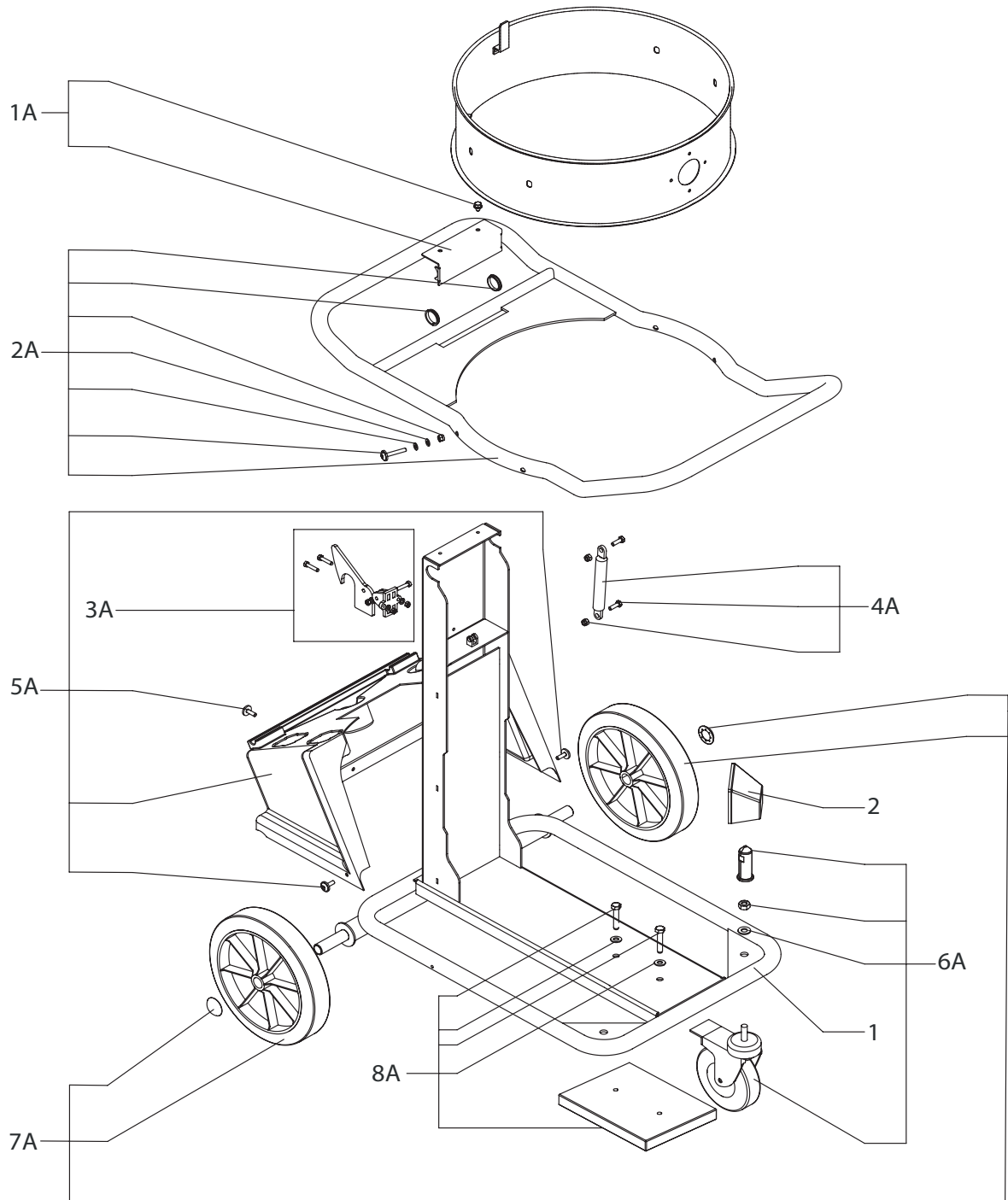
Pos.	Product no	QTY	Description	Notes
1	Z8 13010	1	SPRING INLET D50	
2	Z8 32543	1	SS BUTTONFOR INLET D50	
3	Z8 40720	1	O.R. x OIL 220	
4	Z8 40720	1	O.R. x OIL 220	
5	Z8 17005	2	INLET SEAL D50	
6	4084000989	1	JOINT V-RING VA55NBR WSS-WST	
1A	4089100583	1	KIT INLET COMPLETE VHO	
2A	40000320	1	KIT PUSHBUTTON FOR INLET D50	
3A	40000800	1	D50 INLET KIT	
4A	4089100576	1	D50 DEFLECTOR KIT FOR SWITCHIN VHO	



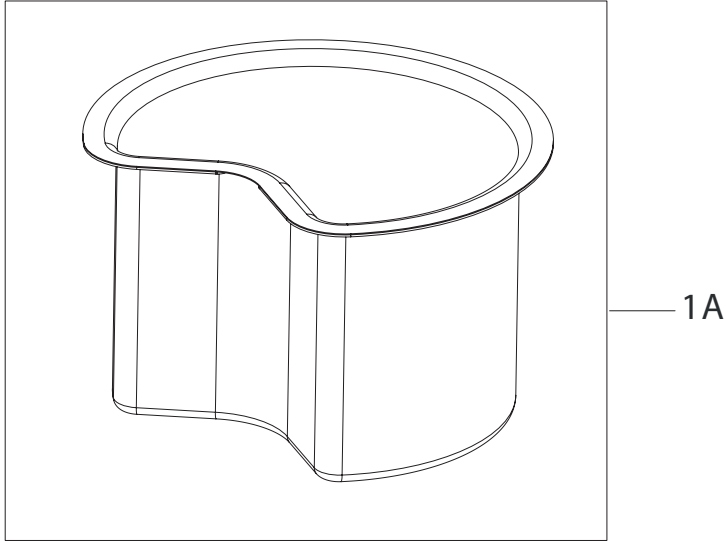
Pos.	Product no	QTY	Description	Notes
1	82220000	1	BASE FILTER	[1]
2	4083000776	1	CONTAINER D460 LT.90 R7001	
2	4083000777	1	CONTAINER D460 LT.90 SS	
3	Z8 40256	1	TUBE HOLDER 1 D25	
4	Z8 40222	1	BALLCOCK 1 MF	
5	Z8 40719	1	ELBOW 1 M/F ZINC PLT.	
6	Z8 40771	1	HANDGRIP CONTAINER	
1A	4089100577	1	DISCHARGE LEVEL KIT VHO	
2A	4089100587	1	CONTAINER KIT VHO200	
2A	4089100588	1	CONTAINER KIT SS VHO200	

Part Notes:

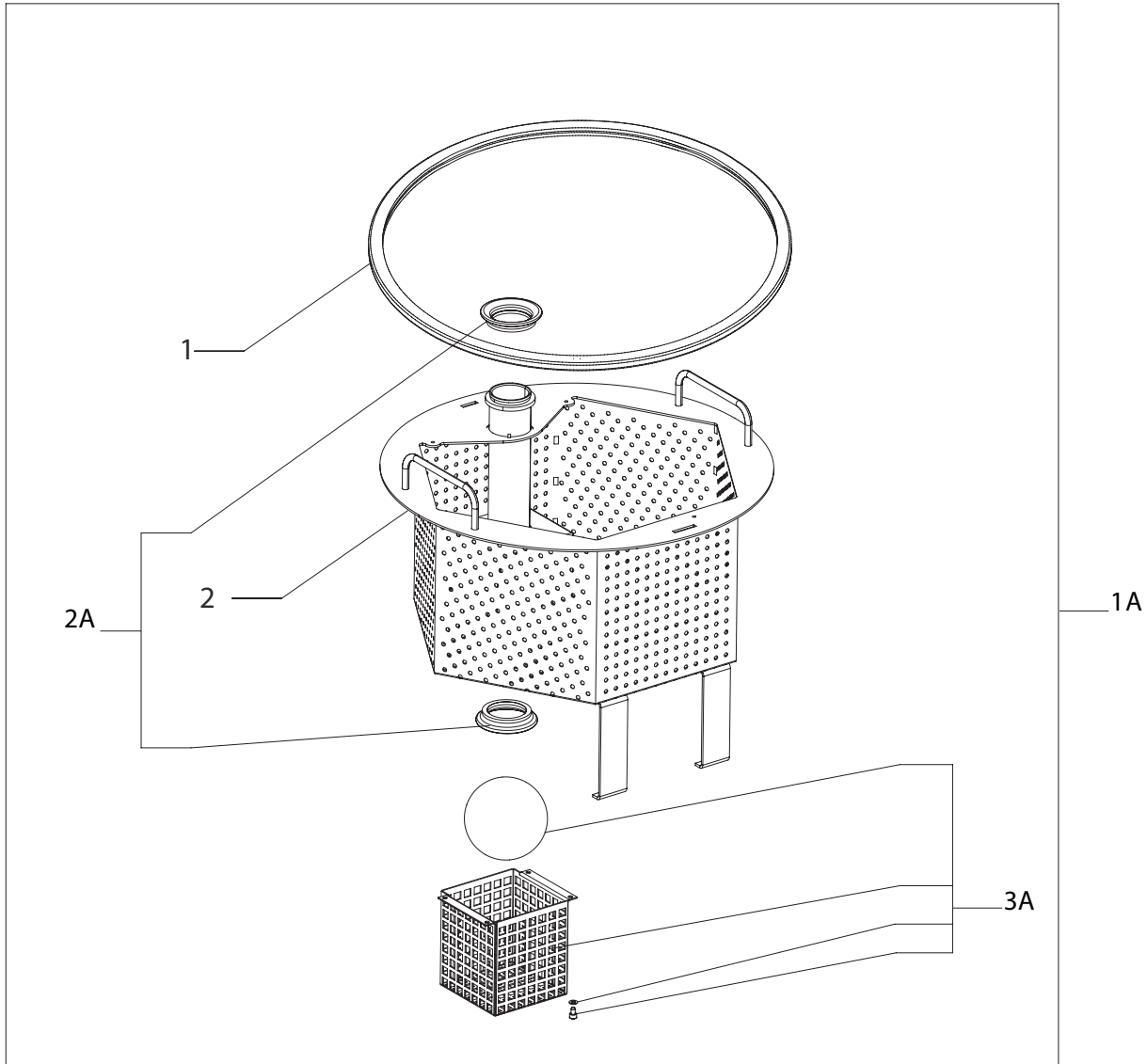
[1] - Old IVAC production products



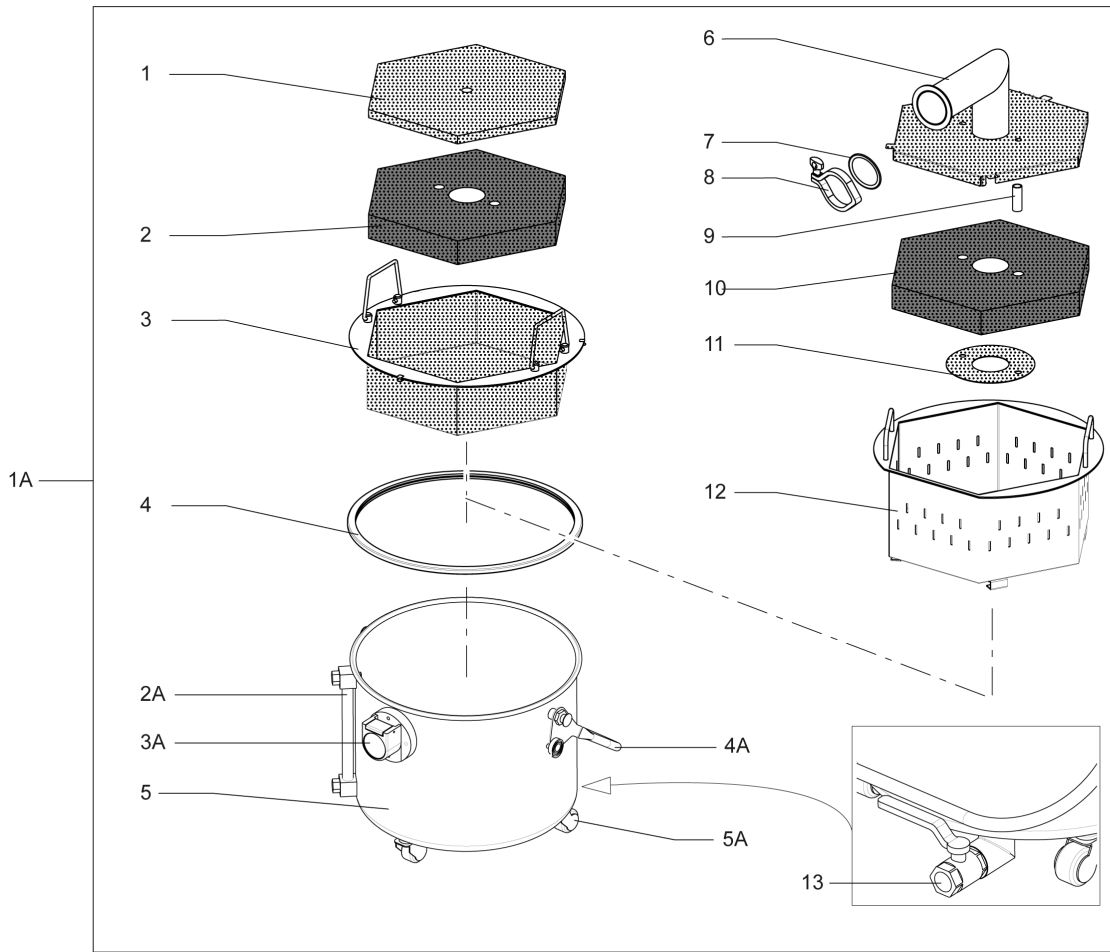
Pos.	Product no	QTY	Description	Notes
1	4083600581	1	TROLLEY M.WST RAL7016	
2	Z8 17021	1	BUMPER WHEEL HOLDER	
1A	40000816	1	HANDLE HOLDER KIT	
2A	40000817	1	HANDLE KIT	
3A	4089100579	1	KIT HOOK FOR HANDLE VHO	
4A	40000819	1	HANDLE CUSHION GEAR KIT	
5A	40000814	1	ACCESSORY HOLDER KIT	
6A	4089100580	1	REVOLVING WHEEL KIT VHO	
7A	40000813	1	FIX WHEEL KIT	
8A	4089100578	1	KIT WEIGHT BALANCE VHO	



Pos.	Product no	QTY	Description	Notes
1A	4056000449	1	MUD FILTER KIT 50 MICRON WSS-WST MODEL	
1A	4056000450	1	MUD FITLER KIT 100 MICRON WSS-WST MODEL	
1A	4056000451	1	MUD FILTER 300 MICRON M-WSS-WST	



Pos.	Product no	QTY	Description	Notes
1	Z8 17459	1	FILTER SEAL D460 OIL TIGHT	
2	4083000775	1	CHIP COLLECTION BASKET SS	
1A	4056000668	1	KIT CHIP COLLECTION BASKET SS	
2A	40000810	1	GASKET KIT	
2A	4089100575	1	GASKET KIT SILICON	
3A	4089100581	1	FLOATER KIT VHO	



OPTIONALS

VHO 200

2018.08.21

2017.07.25

Pos.	Product no	QTY	Description	Notes
1	4081701202	1	FILTER OIL MIST VHO200	
2	4083901779	1	CABLE VHO200 SOCKET CH 10A	
3	4085300402	1	COMPLETE HEAD VHO200 230V CHP	
4	4084000998	1	QUICK FITTING CAMLOCK C SS	
5	4084000999	1	QUICK FITTING CAMLOCK F SS	

