

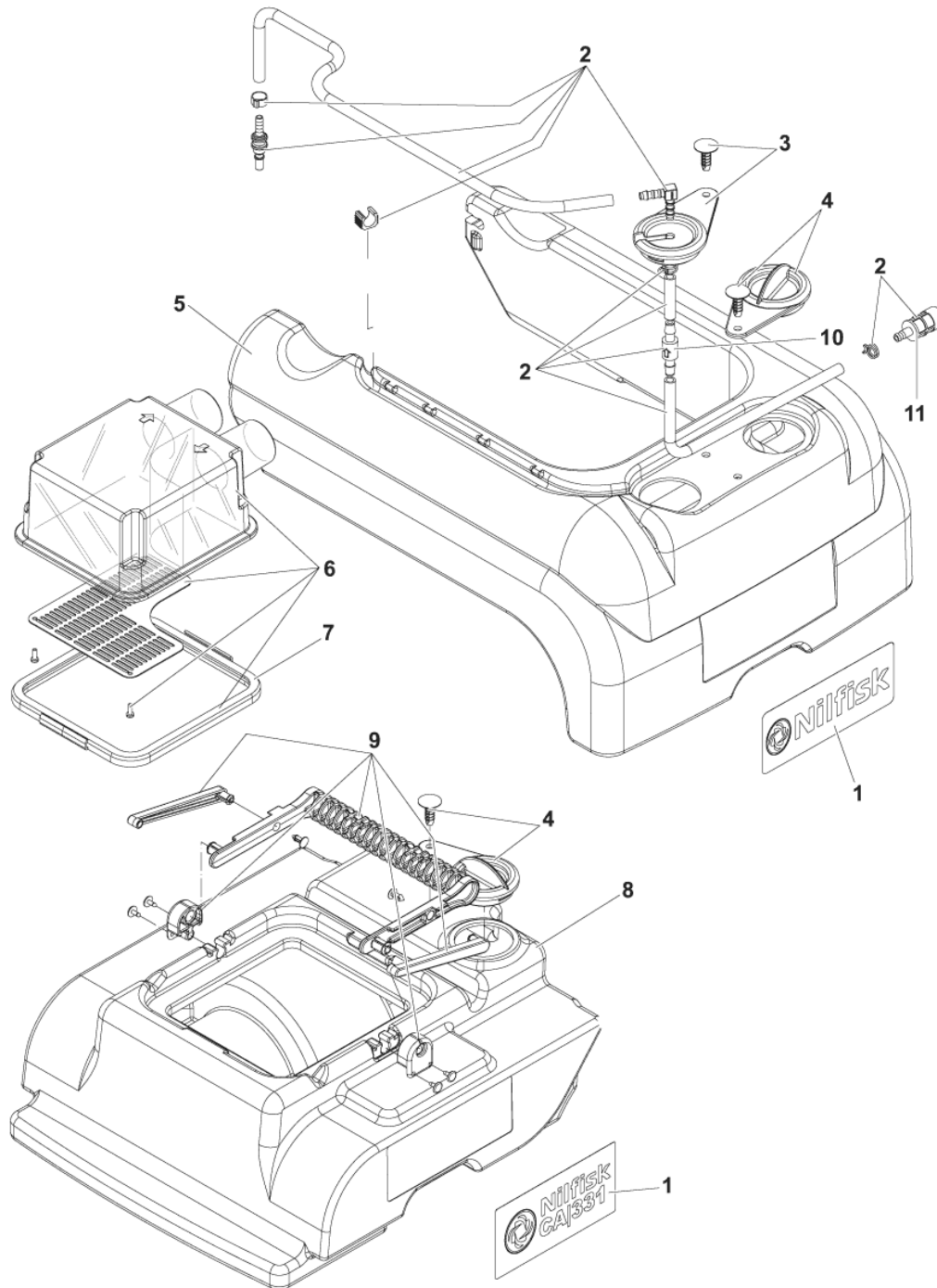
PARTS LIST



2021.12.13

TABLE OF CONTENTS

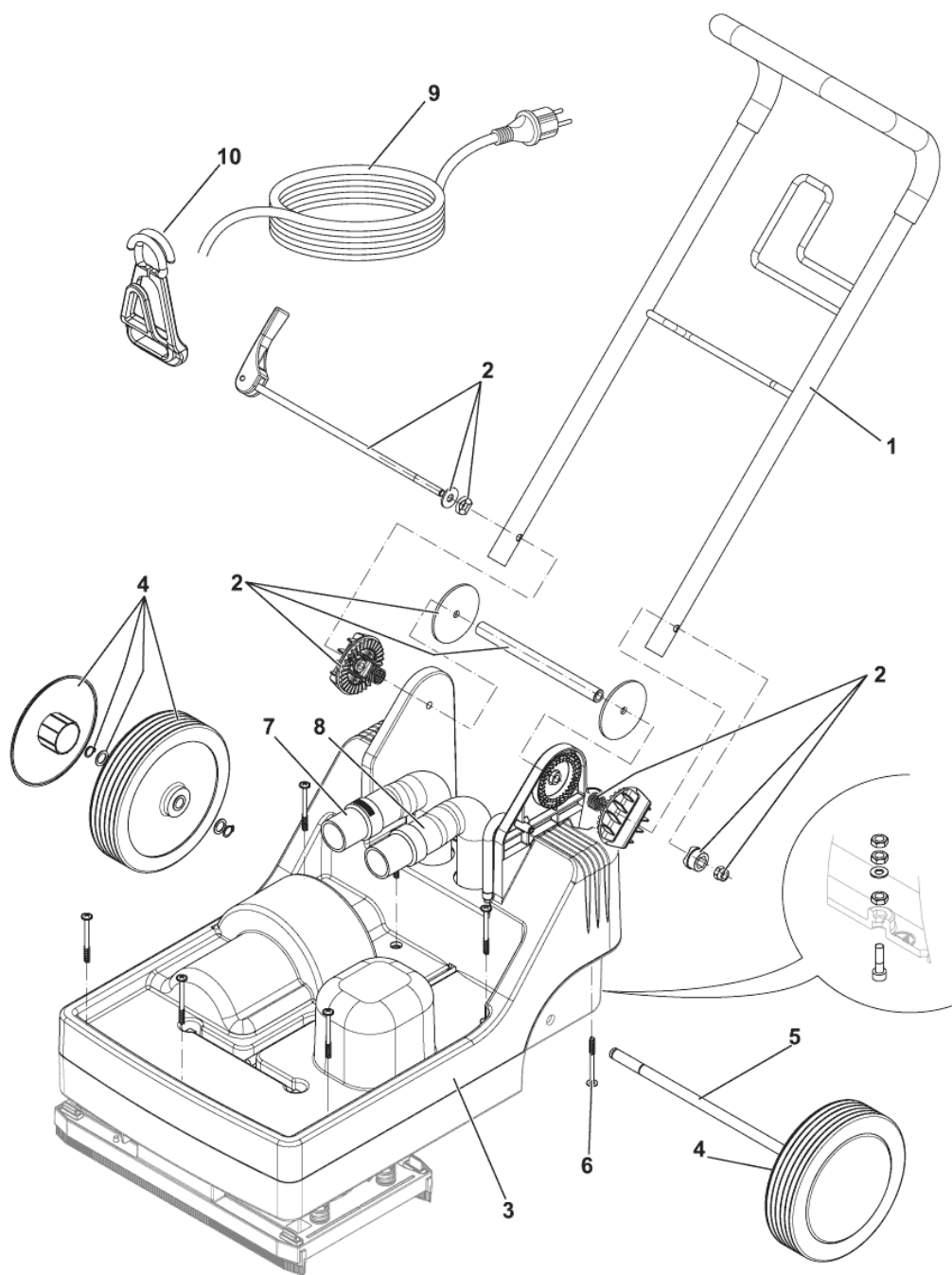
TANKS SYSTEM.....	1
FRAME UPPER SYSTEM.....	3
FRAME LOWER SYSTEM.....	5
TRANSMISSION SYSTEM.....	7
BRUSHES - SQUEEGEE DECK.....	9
CONTROL PANEL SYSTEM.....	11
ACCESSORY - CARPET KIT.....	13
RECOMMENDED SPARE PARTS.....	15
SUPPORT ROLLER KIT.....	17



Pos.	Product no	QTY	Description	Notes
1	9097430000	1	DECALS CA 331 KIT	[1]
2	9097438000	1	VACUUM SOLUTION KIT	[2]
3	9097516000	1	CAP TANK KIT	[1]
4	9097515000	2	CAP TANK KIT	[1]
5	9097217000	1	TANK SOLUTION 7L PLAST. GREY	[2]
6	9097441000	1	COVER PLAST. F GREY TANK KIT	[1]
7	9097236000	1	GASKET TANK COVER	[2]
8	9097218000	1	TANK RECOVERY 8L PLAST. GREY	[2]
9	9097591000	1	HANDLE KIT	[2]
10	9097277000	1	CHECK VALVE D.8 PVC	[1]
11	L08603126	1	FILTER SOLUTION	

Part Notes:

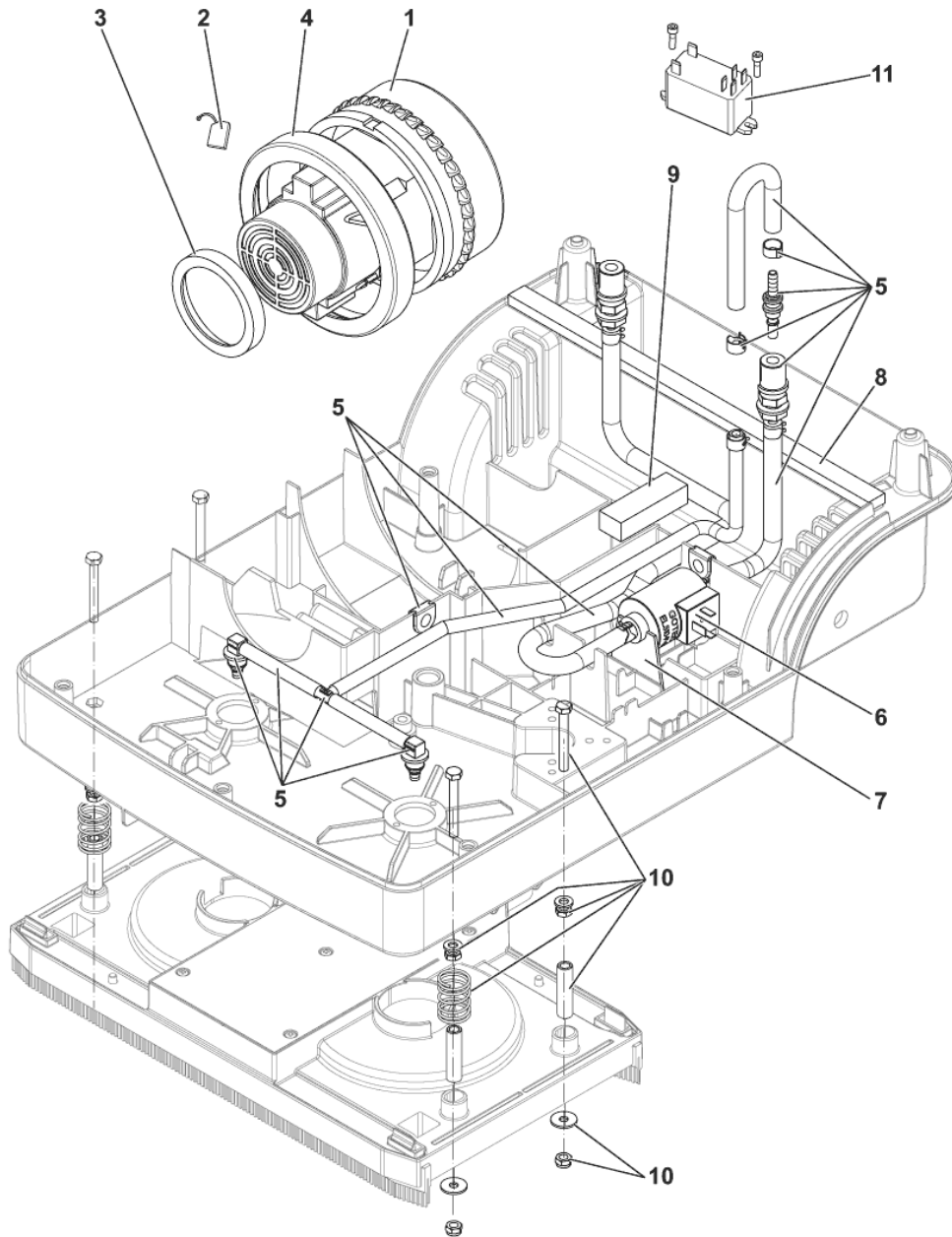
- [1] - NO LONGER AVAILABLE
- [2] - STOCK COVERS GUARANTEE



Pos.	Product no	QTY	Description	Notes
1	9097224000	1	HANDLE BAR STRAIGHT MET.	[1]
2	9097437000	1	FIXING HANDLE BAR KIT	[1]
3	9097216000	1	FRAME UPPER	[1]
4	9097440000	1	WHEELS KIT	[2]
5	9097231000	1	SHAFT WHEELS	[3]
6	909 5893 000	8	SCREW 6X60 PAN PHIL W/O BIT F PLASTIC	[2]
7	9098030000	1	HOSE SUCTION SQUEEGEE BLACK L.400MM	[2]
8	9097253000	1	HOSE SUCTION SQUEEGEE BLACK L.570MM	[2]
9	9100001731	1	CABLE POWER SUPPLY EU L.15000MM SIP	[1]
9	9100001063	1	CABLE POWER SUPPLY US L.15000MM SIP	[1]
10	9098047000	1	HOLDER CABLE	[1]

Part Notes:

- [1] - NO LONGER AVAILABLE
- [2] - STOCK COVERS GUARANTEE
- [3] - GUARANTEE DATE EXPIRED



Pos.	Product no	QTY	Description	Notes
1	910000677	1	MOTOR VACUUM 100V 550W SIP	[1]
1	910000675	1	MOTOR VACUUM 230V 550W SIP	[2]
2	909 5719 000	2	CARBON BRUSH	
3	9097251000	1	GASKET VACUUM MOTOR	[3]
4	9097250000	1	GASKET VACUUM MOTOR	[3]
5	9097493000	1	HOSE SOLUTION KIT	[3]
6	9098370000	1	PUMP WATER EU KIT	[4]
6	9098371000	1	PUMP WATER US JP KIT	[5]
6	9098372000	1	HARNES WATER PUMP KIT	[6]
6	9098208000	1	PUMP WATER 110 V 45W	[7]
6	9098207000	1	PUMP WATER 230V 40W	[8]
7	9097275000	1	SUPPORT PUMP NYLON	[9]
8	146 0410 000	1	GASKET ADHESIVE 15X10 L.340MM	[10]
9	9097583000	1	GASKET ADHESIVE 20X15 L.65MM SIP	[10]
10	9097431000	1	HARDWARE DECK FIXING KIT	[3]
11	9097864000	1	RELAY 110V 30A	[10]

Part Notes:

- [1] - NO LONGER AVAILABLE

FROM S.NO.092300293-TSB IT 2009-028
- [2] - FROM S.NO.092300293-TSB IT 2009-028
- [3] - GUARANTEE DATE EXPIRED
- [4] - GUARANTEE DATE EXPIRED

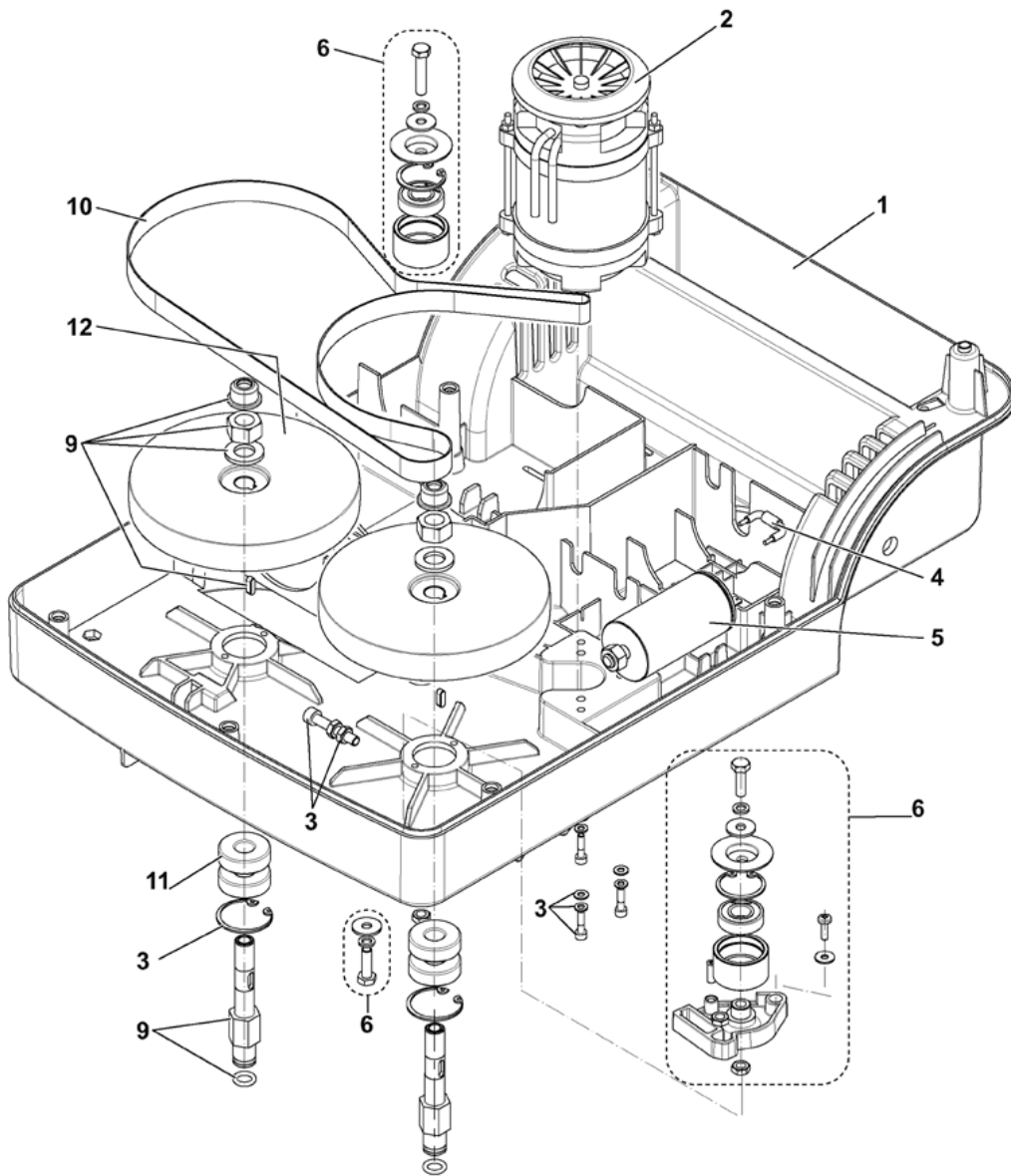
BEFORE S.NO.094101184- TSB IT 2009-028
- [5] - STOCK COVERS GUARANTEE

BEFORE S.NO.094101184- TSB IT 2009-028
- [6] - GUARANTEE DATE EXPIRED

FOR KITS 9098370000-9098371000 - Valid until machine SN 104002715
- [7] - GUARANTEE DATE EXPIRED

FROM S.NO.094101184- TSB IT 2009-028
- [8] - GUARANTEE DATE EXPIRED

FROM S.NO.094101184 - TSB IT 2009-028
- [9] - GUARANTEE DATE EXPIRED
Item 9097275000 was removed from the machine bill of materials it belonged to referring to the ECO 3414 SEE TSB IT 2009-028 Given input to 3510 to transfer it in MS40 ref. to Classification data. Serial no. break 104002715 (implemented in production 06.10.2010)
- [10] - NO LONGER AVAILABLE

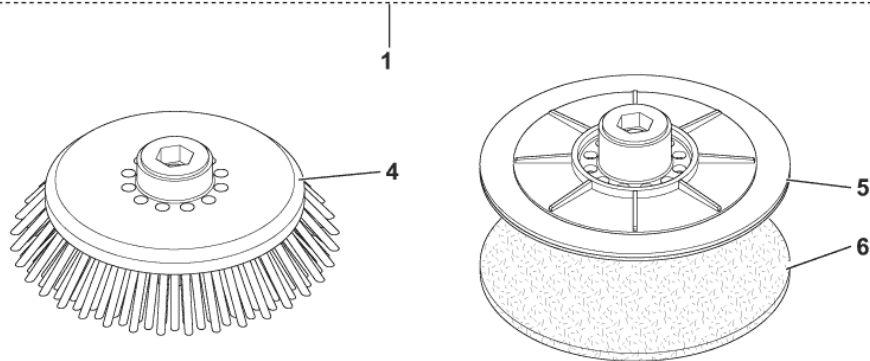
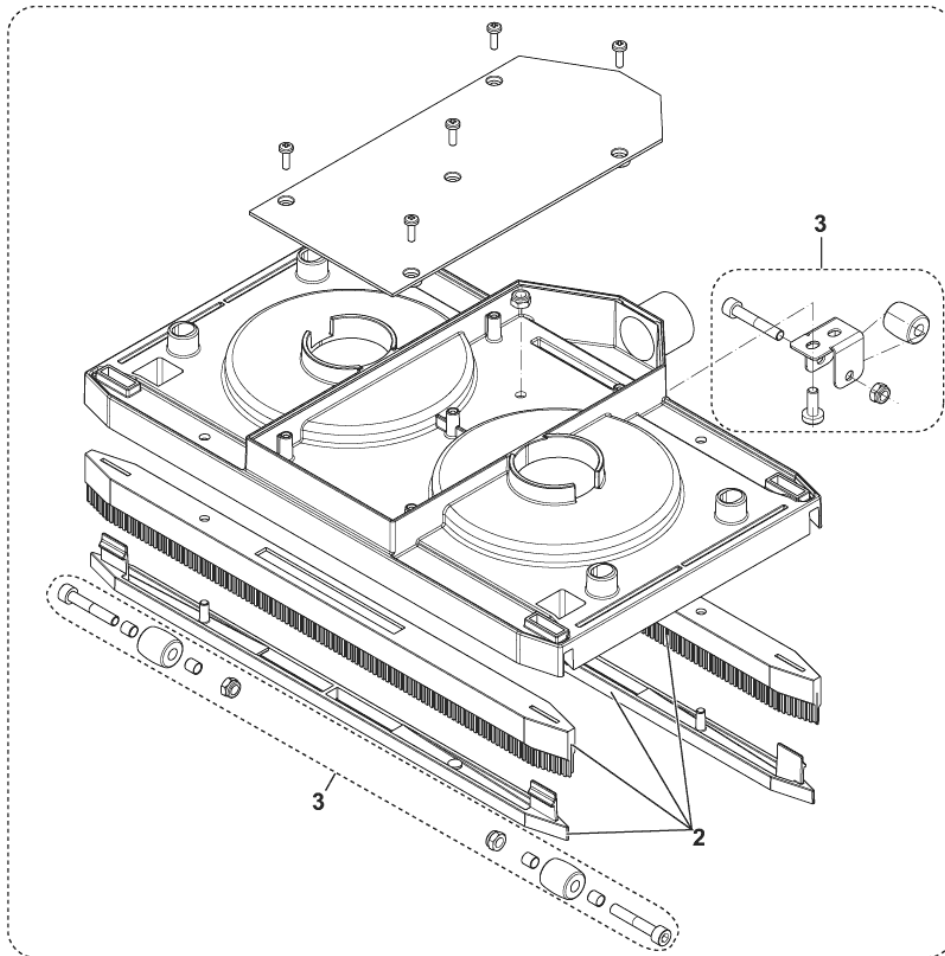


Pos.	Product no	QTY	Description	Notes
1	9097215000	1	FRAME LOWER	[1]
2	9100000673	1	MOTOR ELECTRIC 100W 115V SIP	[1]
2	9100000672	1	MOTOR ELECTRIC 100W 230V SIP	[2]
3	9097467000	1	HARDWARE TRANSM.SYST. KIT	[2]
4	33009099	1	DIODE 1N4007	[3]
5	9097506000	1	CAPACITOR 20UF	[2]
5	9097280000	1	CAPACITOR 5UF	[2]
6	9097436000	1	TENSIONER BELT KIT	[4]
9	9097435000	1	PIN BRUSH KIT	[1]
10	9097245000	1	BELT FLAT 1060 MAXIFLEX	
11	9100002018	4	BEARING BALL 6201 2RS1 SIP	
12	9097240000	2	PULLEY PLAST. BRUSH	[2]

Part Notes:

- [1] - NO LONGER AVAILABLE
- [2] - GUARANTEE DATE EXPIRED
- [3] - STOCK COVERS GUARANTEE
- [4] - GUARANTEE DATE EXPIRED

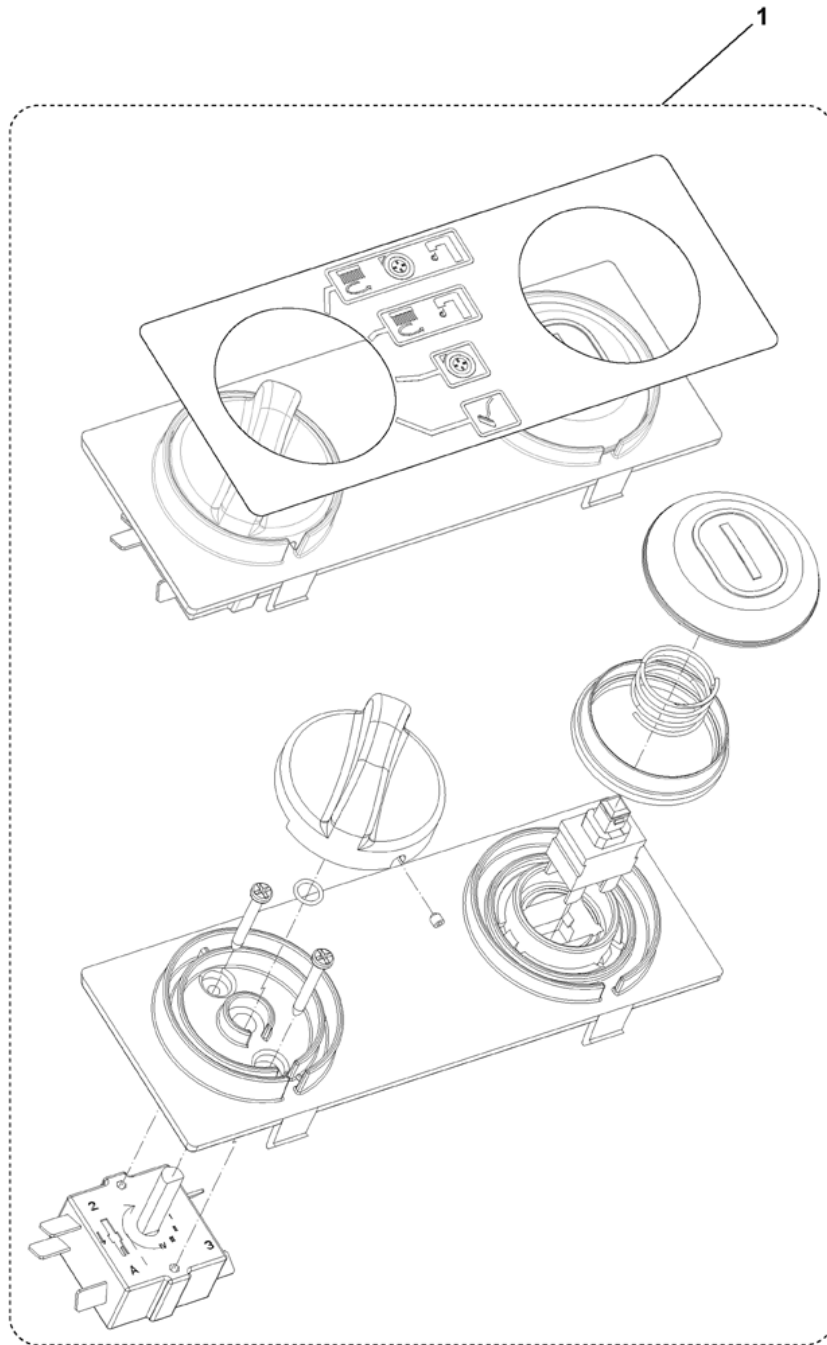
SEE TSB IT 2011-074TSB IT 2011-074. Transmission Belt improvement



Pos.	Product no	QTY	Description	Notes
1	9097432000	1	DECK BRUSH KIT	[1]
2	9097542000	1	BLADES SQUEE. 380MM 15 PU W/SUPPORT KIT	
3	9097434000	1	ROLLER DECK KIT	[2]
4	9097543000	2	BRUSH DISC 165MM 6.5 PROLENE BLUE-RED	[3]
4	9097242000	2	BRUSH DISC 165MM 6.5 PROLITE BLUE	
5	9097243000	2	PAD HOLDER VELCRO 6.5 165MM	[4]
6	10001968	1	PAD 6.5 165MM ECO WHITE 10PCS	[4]
6	72500223	1	PAD 5 PCS 165MM BROWM	[3]
6	10001969	1	PAD 6.5 165MM ECO RED 10PCS	[4]

Part Notes:

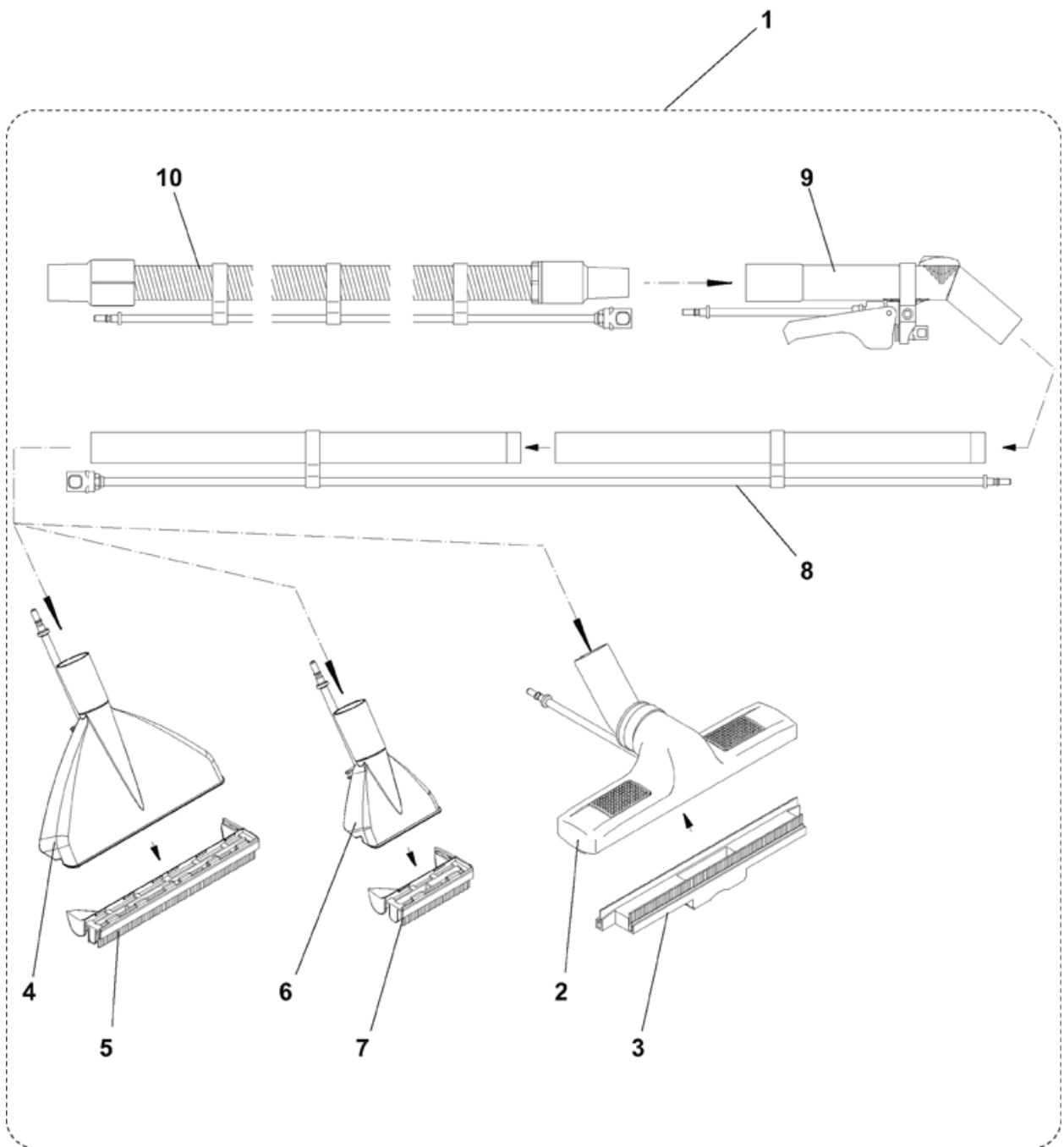
- [1] - GUARANTEE DATE EXPIRED
- [2] - STOCK COVERS GUARANTEE
- [3] - ACCESSORY
- [4] - ACCESSORY
STOCK COVERS GUARANTEE



Pos.	Product no	QTY	Description	Notes
0	9097301000	1	HARNESS MACHINE EU	[1]
0	9098209000	1	HARNESS MACHINE EU	[2]
0	9097507000	1	HARNESS MACHINE UL	[1]
0	9098210000	1	HARNESS MACHINE UL	[2]
1	9097439000	1	PANEL CONTROL W/DECAL KIT	[3]

Part Notes:

- [1] - GUARANTEE DATE EXPIRED
BEFORE S.NO.094101184- TSB IT 2009-028
- [2] - NO LONGER AVAILABLE
AFTER S.NO.094101184- TSB IT 2009-028
- [3] - STOCK COVERS GUARANTEE
INST. INSTR. 9100000560



Pos.	Product no	QTY	Description	Notes
0	9098304000	1	NOZZLE SPRAY	[1]
1	9097575000	1	CARPET/HARD FLOOR KIT	[2]
2	9097566000	1	NOZZLE D13	[3]
3	9097567000	1	FRAME RUBBERS D.13	[3]
4	9097568000	1	NOZZLE 230	[4]
5	9097569000	1	FRAME RUBBERS 230MM	[5]
6	9097570000	1	NOZZLE 100	[6]
7	9097571000	1	FRAME RUBBERS 100MM	[3]
8	9097572000	2	EXTENSION HOSE	[3]
9	9097573000	1	HANDLE D2	[5]
10	9097574000	1	HOSE L.3000MM W/SLEEVES	[5]

Part Notes:

- [1] - NO LONGER AVAILABLE
- FROM S.NO.094101184AFTER S.NO.094101184- TSB IT 2009-028
- [2] - PRUNED ACCESSORY
- [3] - STOCK COVERS GUARANTEE
- [4] - STOCK COVERS GUARANTEE
- FROM S.NO.094101184AFTER S.NO.094101184- TSB IT 2009-028
- [5] - GUARANTEE DATE EXPIRED
- [6] - NO LONGER AVAILABLE

RECOMMENDED SPARE PARTS

CA 331

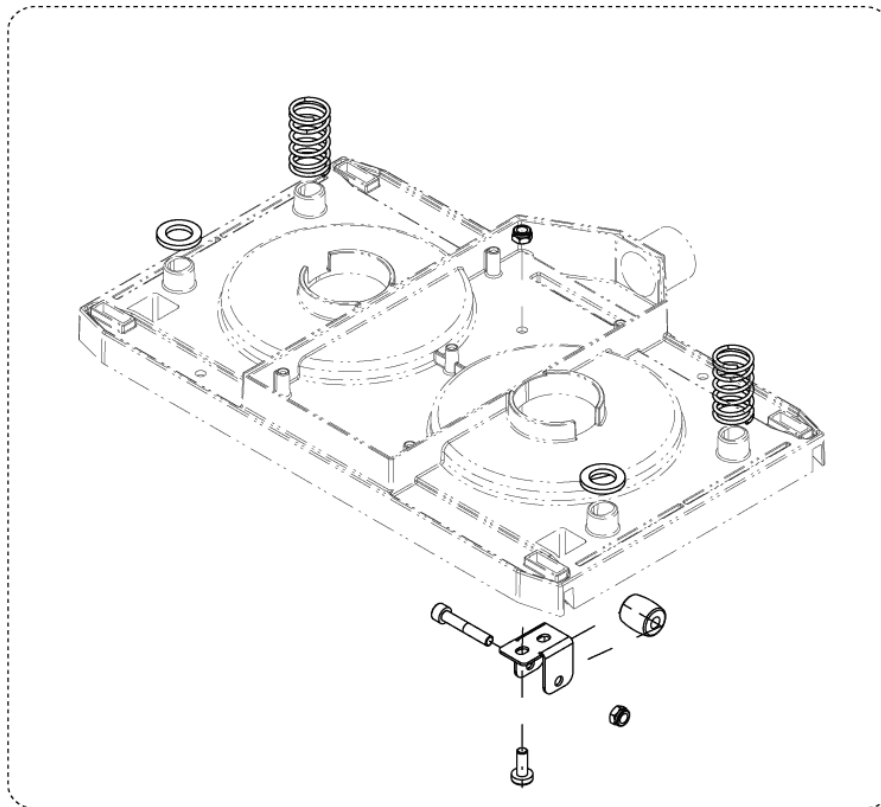
2017.11.02

2015.12.04

Pos.	Product no	QTY	Description	Notes
1	9097242000	2	BRUSH DISC 165MM 6.5 PROLITE BLUE	
2	9097542000	1	BLADES SQUEE. 380MM 15 PU W/SUPPORT KIT	
3	9097251000	1	GASKET VACUUM MOTOR	[1]
4	9097591000	1	HANDLE KIT	[2]
5	909 5719 000	2	CARBON BRUSH	
6	9097245000	1	BELT FLAT 1060 MAXIFLEX	
7	L08603126	1	FILTER SOLUTION	
8	9098030000	1	HOSE SUCTION SQUEEGEE BLACK L.400MM	[2]
9	9097253000	1	HOSE SUCTION SQUEEGEE BLACK L.570MM	[2]
10	9097434000	1	ROLLER DECK KIT	[2]
11	9097439000	1	PANEL CONTROL W/DECAL KIT	[2]
12	9100000672	1	MOTOR ELECTRIC 100W 230V SIP	[1]
13	9100000673	1	MOTOR ELECTRIC 100W 115V SIP	[3]
14	9097280000	1	CAPACITOR 5UF	[1]
15	9097506000	1	CAPACITOR 20UF	[1]
18	9097277000	1	CHECK VALVE D.8 PVC	[3]
19	9097250000	1	GASKET VACUUM MOTOR	[1]
20	9097440000	1	WHEELS KIT	[2]

Part Notes:

- [1] - GUARANTEE DATE EXPIRED
- [2] - STOCK COVERS GUARANTEE
- [3] - NO LONGER AVAILABLE



1

SUPPORT ROLLER KIT

CA 331

2017.11.02

2015.12.04

Pos.	Product no	QTY	Description	Notes
1	9098211000	1	SUPPORT ROLLER KIT	[1]

Part Notes:

- [1] - GUARANTEE DATE EXPIRED
FROM S.NO.091700016-TSB IT 2009-028

