

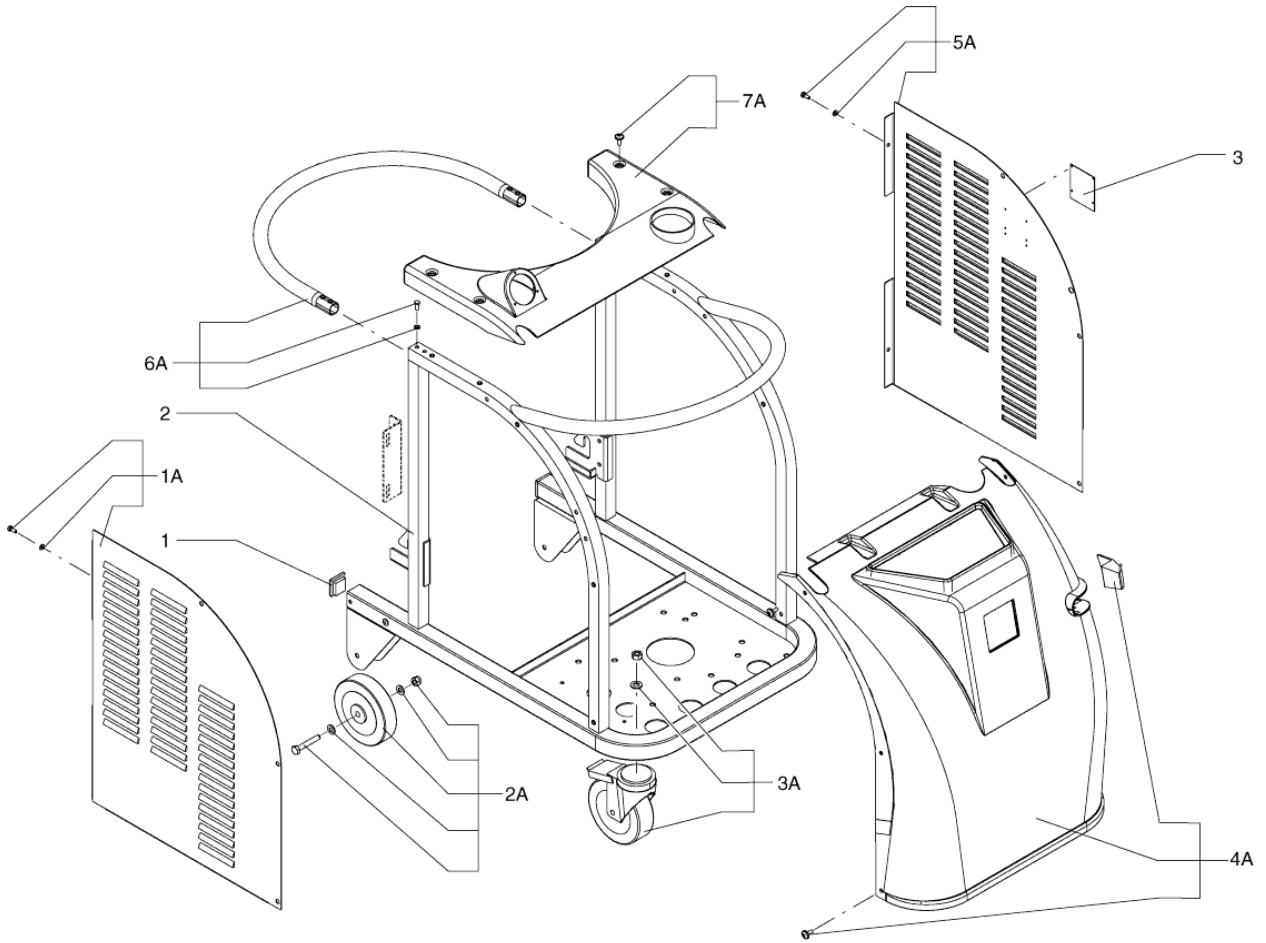
# PARTS LIST

2023.11.26

# TABLE OF CONTENTS

---

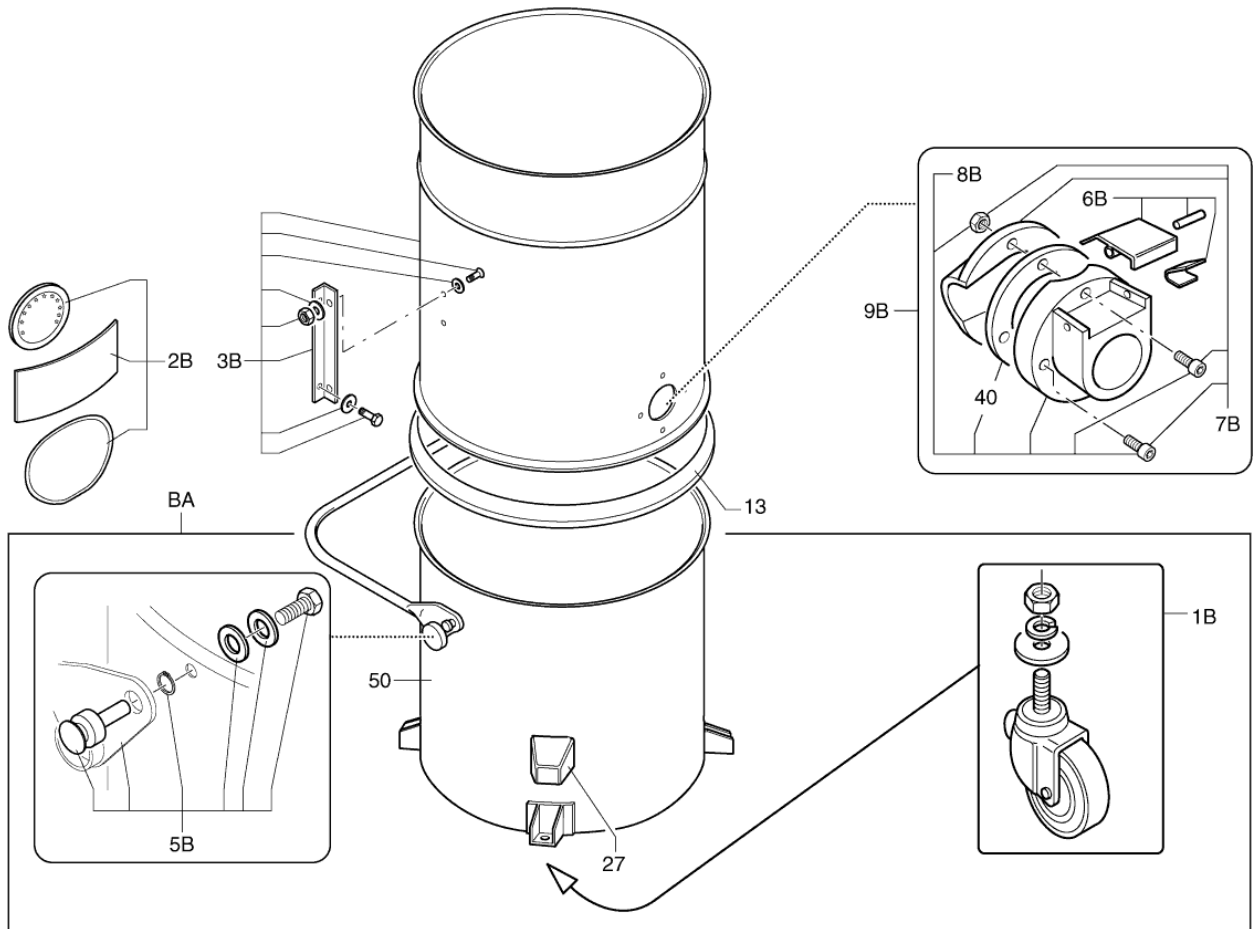
Car .....	1
Container unit .....	3
Filter group .....	5
Shaker unit .....	7
Suction unit .....	9



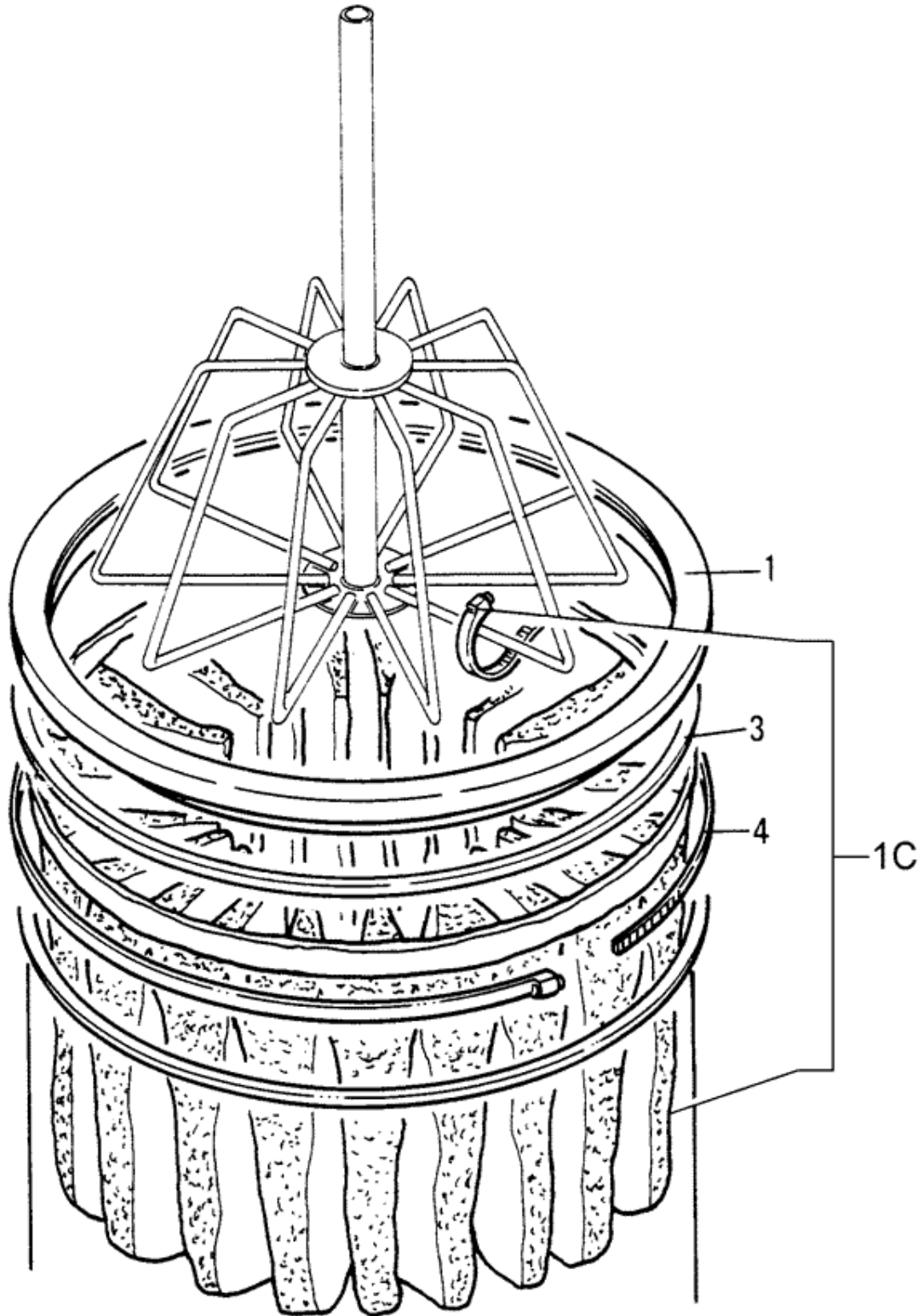
Pos.	Product no	QTY	Description	Notes
01	Z8 40035	2	SQUARE PLUG 40 X 40 PVC	
01A	40000708	1	LEFT PANEL KIT	
02	Z8 36520	1	TROLLEY M. CTS RAL 7016	
02A	40000486	1	KIT FIXED WHEEL D150	
03	Z8 17015	1	3-PHASE PLATE ALUMINIUM	[1]
03A	40000541	1	KIT REVOLV. CASTOR D150	
04A	40000709	1	COVER KIT	
05A	40000710	1	RIGHT PANEL KIT	
06A	40000711	1	HANDLE KIT	
07A	40000712	1	UPPER COVER KIT	

Part Notes:

[1] - GUARANTEE PERIOD EXPIRED

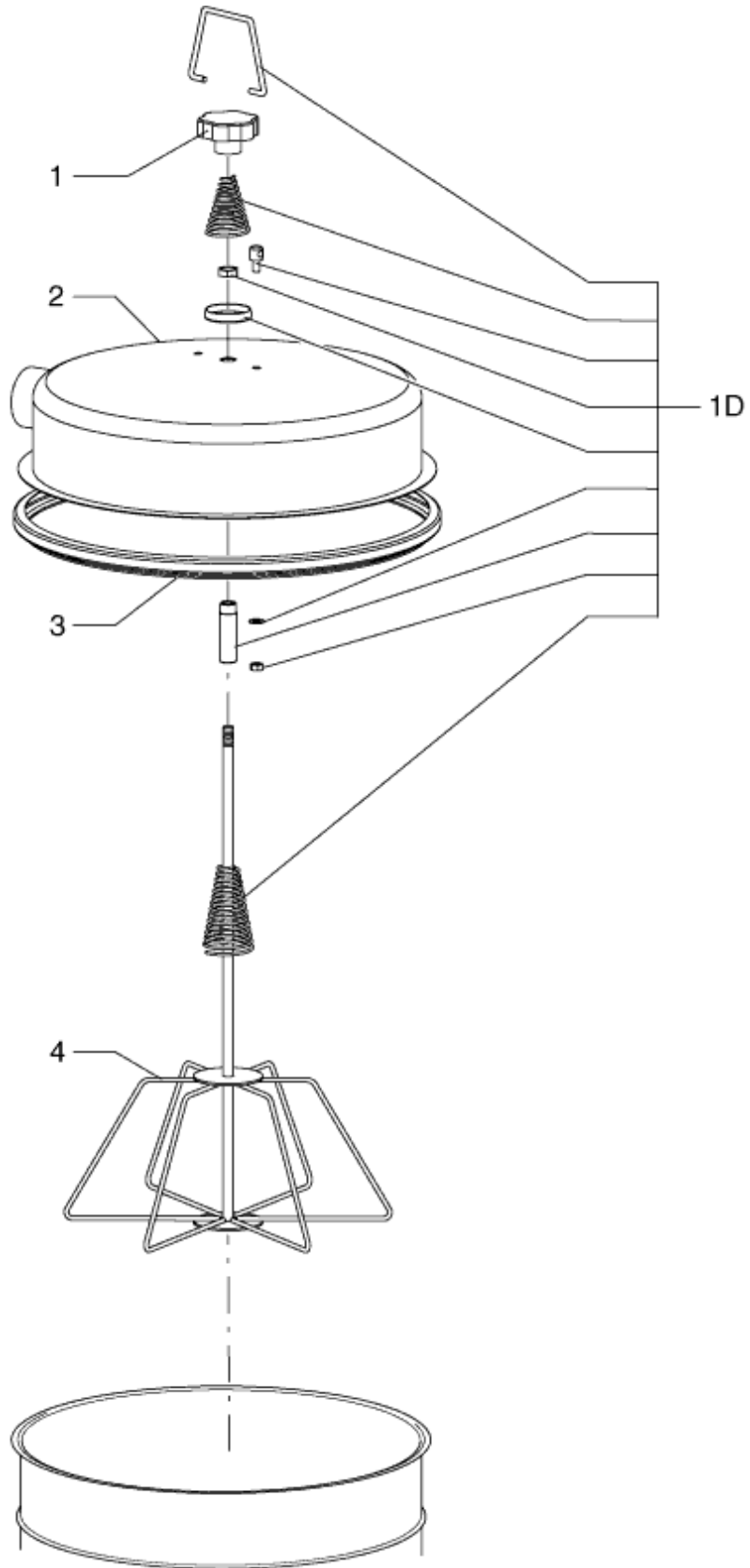


<b>Pos.</b>	<b>Product no</b>	<b>QTY</b>	<b>Description</b>	<b>Notes</b>
01B	40000419	1	KIT CASTORS FOR CONTAINER	
02B	40000715	1	LABEL KIT	
03B	40000714	1	LATERAL PROTECTION KIT	
05B	40000713	1	RELEASE LEVER KIT	
06B	40000345	1	KIT PUSHBUTTON FOR INLET D70	
07B	40000395	1	KIT DEFLECTOR D70	
08B	40000343	1	KIT INLET FE D70	
09B	40000397	1	KIT COMPLETE INLET FE D70	
13	4081701540	1	SEAL 20 X 15 T140 CR MT1.5	
27	Z8 17021	4	BUMPER WHEEL HOLDER	
40	Z8 17006	1	INLET SEAL D70	
50	Z8 30369	1	BIN D460 L50 FOR DC65GAS	
BA	4083000397	1	COMPLETE BIN D460 CTSCCT	



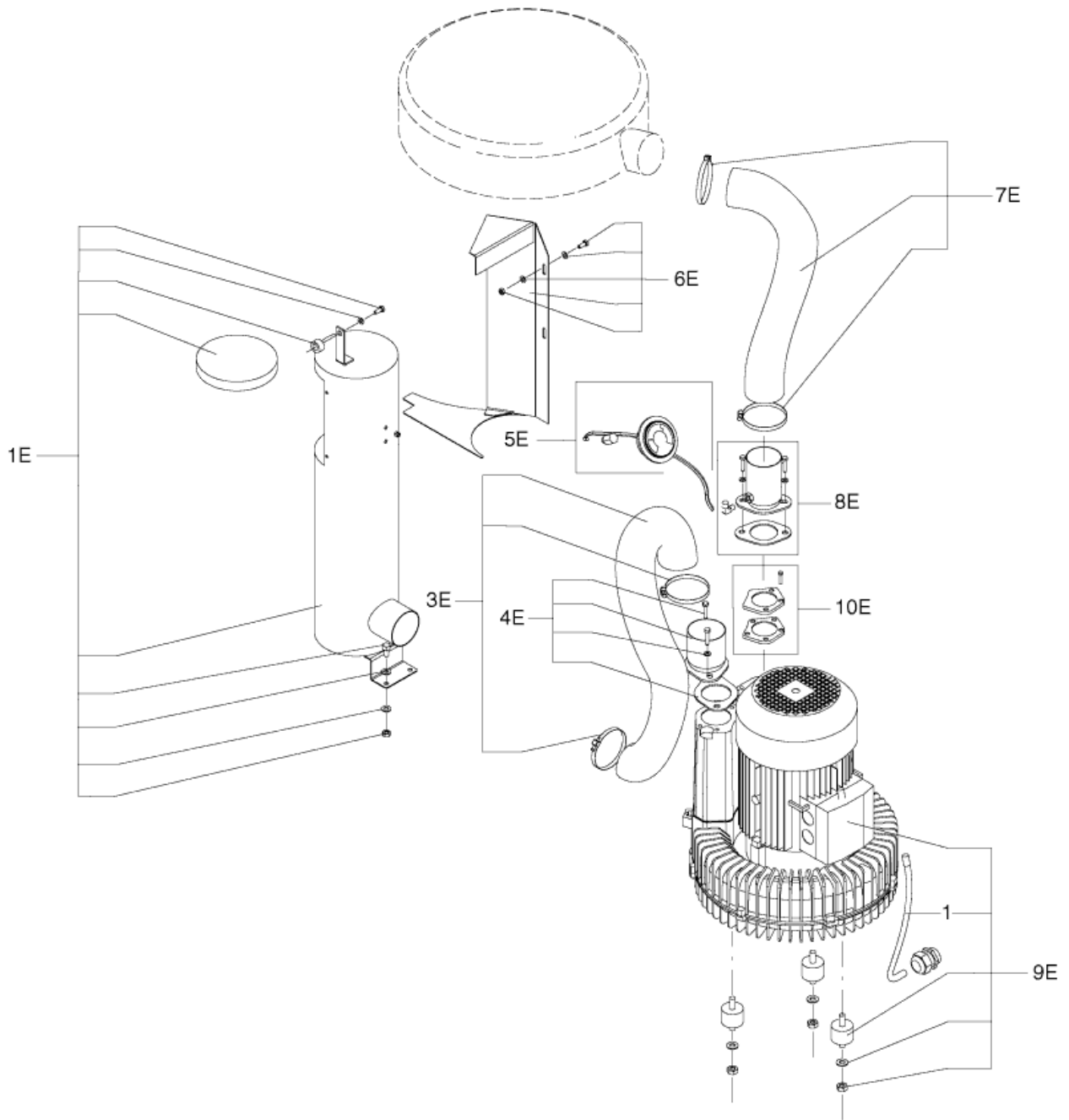
---

Pos.	Product no	QTY	Description	Notes
01	Z8 17026	1	FILTER SEAL D460 BLACK	
01C	40000338	1	KIT STAR FILTER D460 L CLASS	
03	Z8 15003	1	FILTER HOLDER RING D460 FE	
04	Z8 18079	1	FILTER BLOCK TIE D460	
04	4081801387	1	FILTER BLOCK TIE D460 SS AISI304	



---

Pos.	Product no	QTY	Description	Notes
01	Z8 40027	1	KNOB D70 M12 NO HOLE	
01D	40000313	1	KIT FILTER SHAKER FE	
02	Z8 31643	1	COVER D460 M.SOL RAL7001	
03	Z8 36191	1	BAND LOCK D.460	
04	Z8 33324	1	STAR CAGE D460 FE X SOL	



Pos.	Product no	QTY	Description	Notes
01	Z8 391079	1	CABLE CONN.MOT. 4G2.5 SIL. MOD.3508-T40	
01E	40000717	1	SILENCER KIT	
03E	40000571	1	KIT BLOWING TUBE	
04E	40000556	1	KIT BLOWING CONNECTION D70	
05E	40000555	1	KIT VACUUM GAUGE 3000	
06E	40000718	1	CONVEYOR KIT FOR SILENCER	
07E	40000716	1	SUCTION HOSE KIT	
08E	40000558	1	KIT SUCTION CONNECTION D70	
09E	40000503	1	SUCTION UNIT KIT	
10E	40000820	1	SUCTION ADAPTER KIT	

