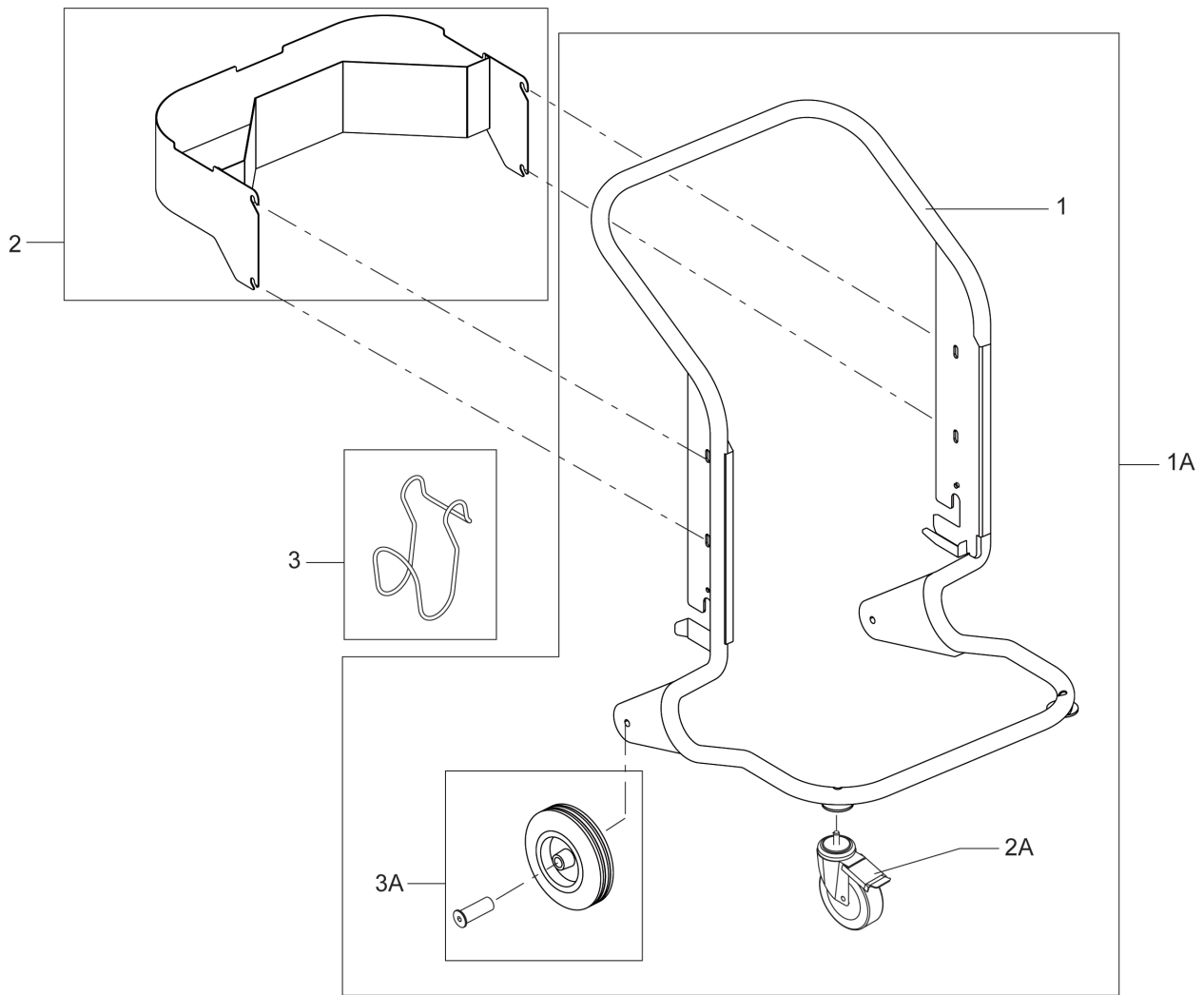


PARTS LIST

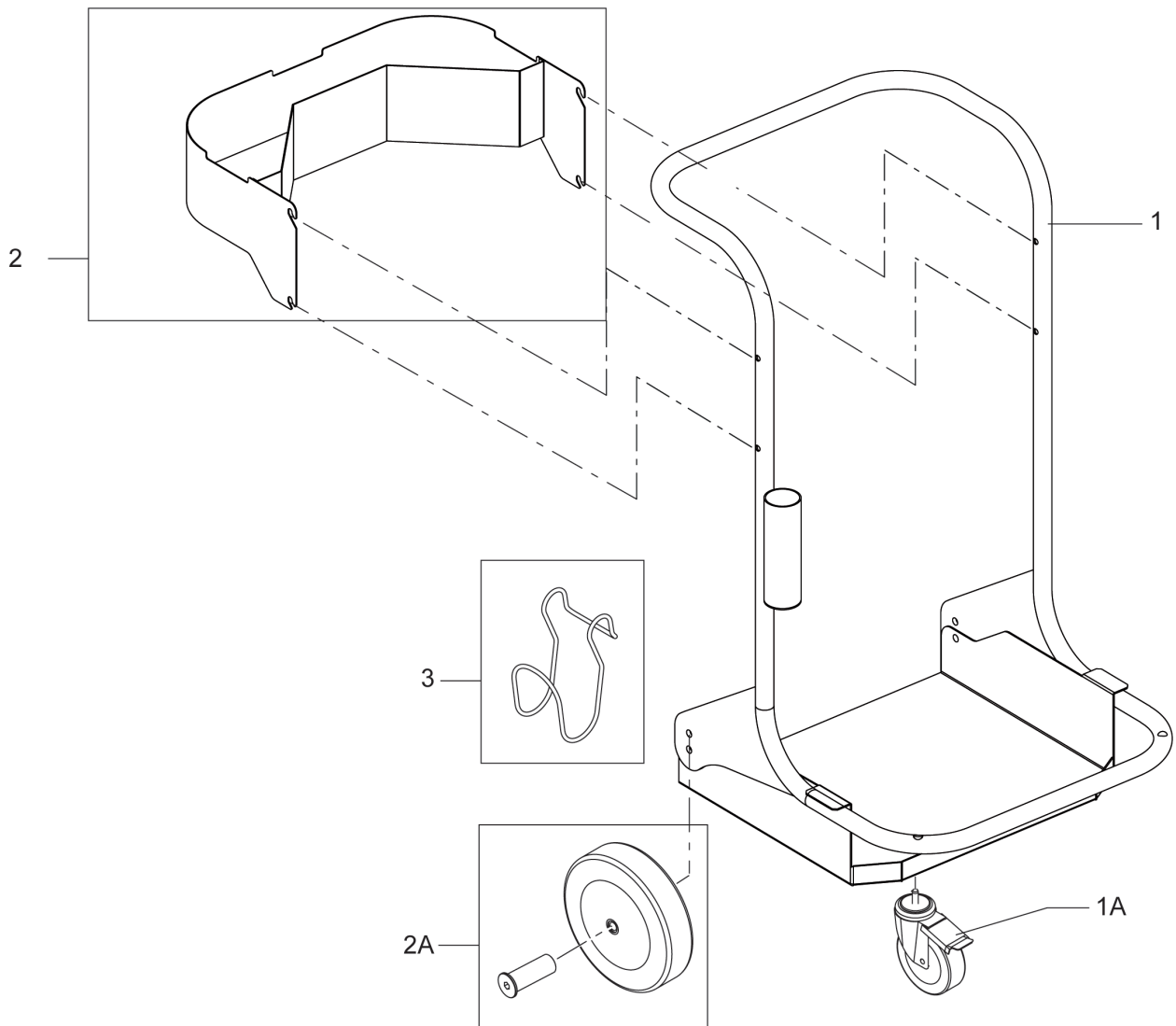
2023.11.16

TABLE OF CONTENTS

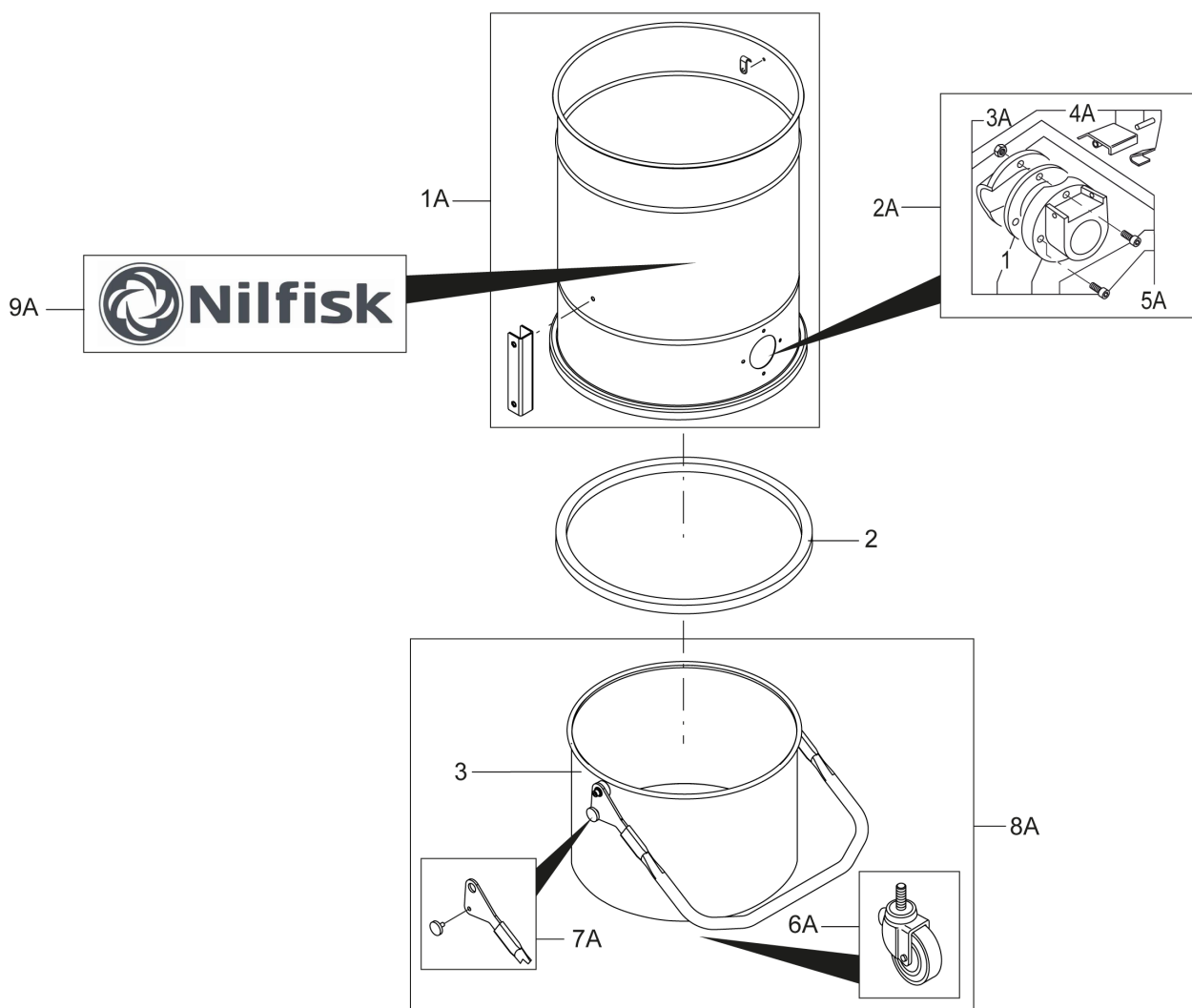
L243 - 1 - TROLLEY	1
L243 - 2 - TROLLEY	3
L243 - 3 - CONTAINER	5
L243 - 4 - LP CONTAINER	7
L243 - 5 - SBS-DS CONTAINER	9
L243 - 6 - PBS CONTAINER	11
L243 - 7 - GV CONTAINER	13
L243 - 8 - L CONTAINER	15
L243 - 9 - FILTER	17
L243 - 10 - CYCLON KIT	19
L243 - 11 - SUCTION UNIT	21
L243 - 12 - DT55 VERSION	23
L243 - 13 - DT55L VERSION	25
L243 - 10 - CYCLON KIT	27



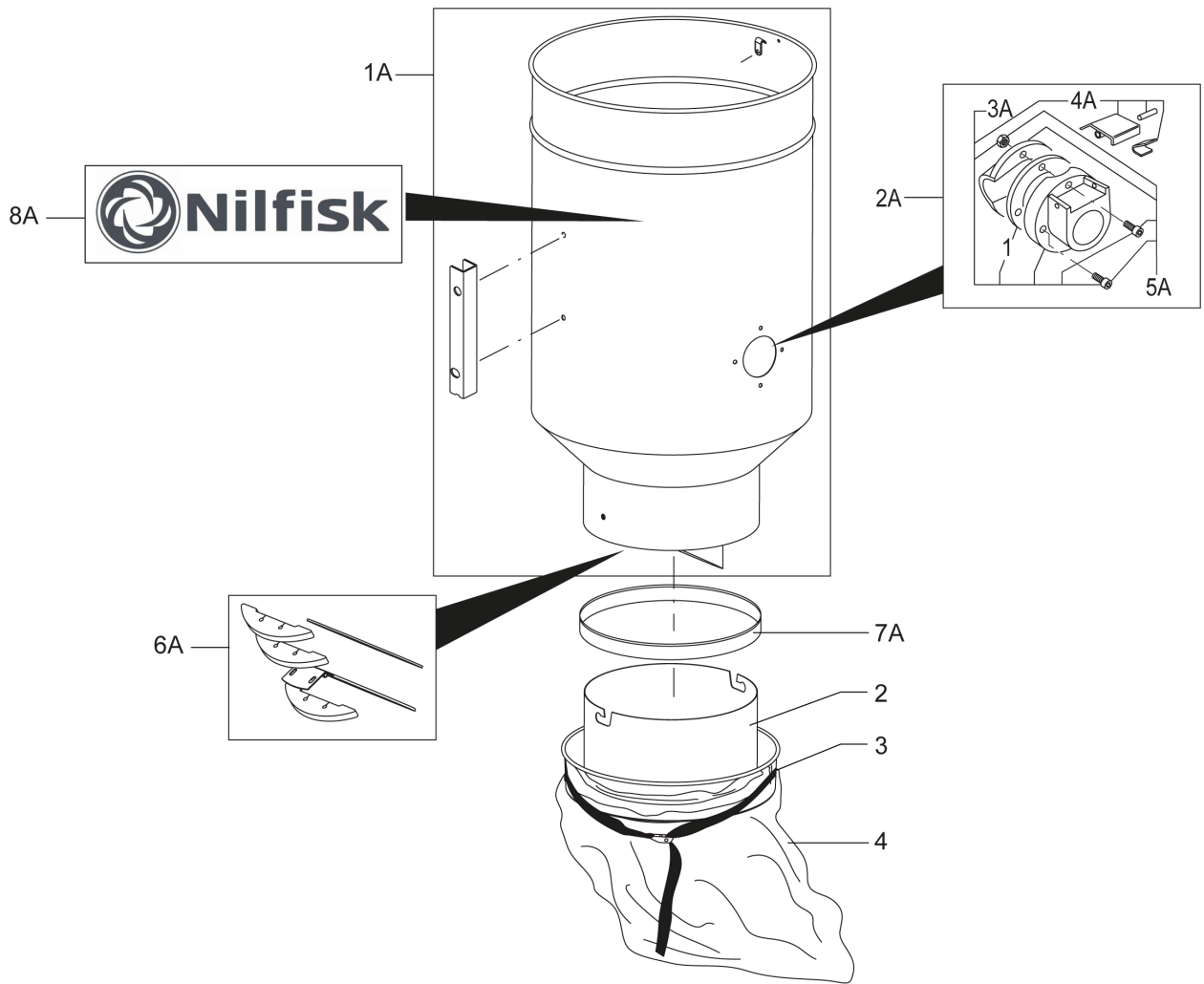
Pos.	Product no	QTY	Description	Notes
1	4083600849	1	TROLLEY VHS110 RAL 7016	
1	4083600860	1	TROLLEY VHS110 RAL SS	
2	4081601059	1	ACCESSORIES BASKET FOR VHS120	
2	4081601096	1	ACCESSORIES BASKET FOR VHS120 SS	
3	82219800	1	BRACKET FOR CORD RELEASE	
3	4081600745	1	BRACKET FOR CORD RELEASE SS	
1A	4083600914	1	TROLLEY COMPLETE MOD.VHS120	
1A	4083600949	1		
2A	4089100354	1	REVOLV. CASTOR KIT	
2A	40000304	1	KIT CASTORS INOX D100	
3A	40000307	1	KIT FIXED WHEEL FE D150	
3A	4089100812	1	FIX WHEEL KIT MOD.VHS CR	



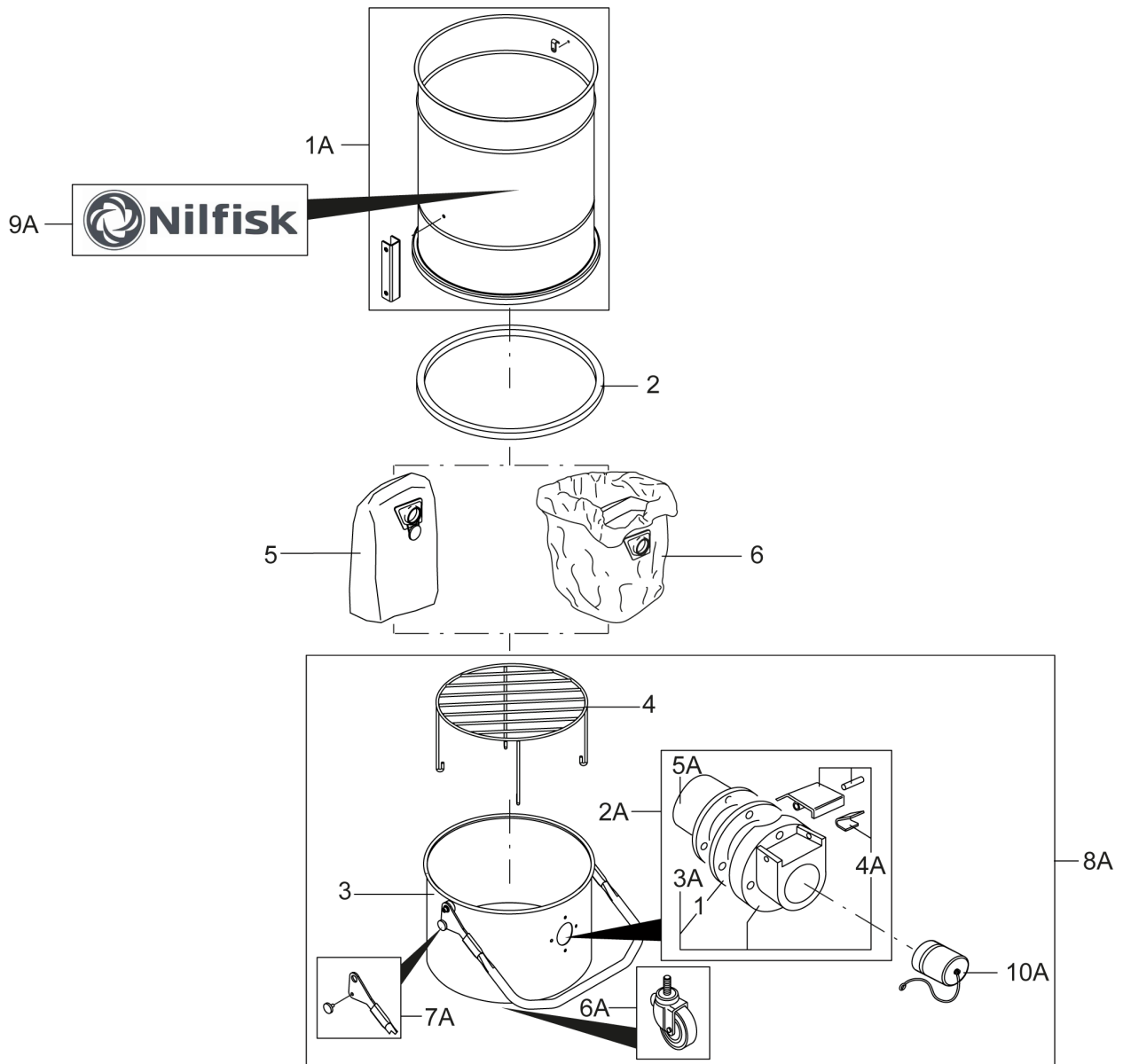
Pos.	Product no	QTY	Description	Notes
1	4083600912	1		
1	4083600933	1	CARRELLO MONOFASE VHS120 M-H INOX	
2	4081601059	1	ACCESSORIES BASKET FOR VHS120	
2	4081601096	1	ACCESSORIES BASKET FOR VHS120 SS	
3	82219800	1	BRACKET FOR CORD RELEASE	
3	4081600745	1	BRACKET FOR CORD RELEASE SS	
1A	4089100354	2	REVOLV. CASTOR KIT	
2A	4089100960	2	KIT FREE WHEEL D200 MOD.VHW120	



Pos.	Product no	QTY	Description	Notes
1	Z8 17005	1	INLET SEAL D50	
2	4081100183	1	JOINT RING GASKET D400	
2	4081701238	1	FILTER SILICONE SEAL D390 VHS110	
3	4083000867	1		
3	4083000864	1	CONTAINER D400X315 VHS110 SS	
1A	4089100787	1	FILTER CHAMBER KIT MOD.VHS	
1A	4089100794	1	FILTER CHAMBER KIT SS MOD.VHS	
2A	40000393	1	KIT COMPLETE INLET FE D50	
2A	40000394	1	KIT COMPLETE INLET INOX D50	
3A	40000318	1	KIT INLET FE D50	
3A	40000319	1	KIT INLET INOX D50	
4A	40000320	1	KIT PUSHBUTTON FOR INLET D50	
5A	4089100814	1	DEFLECTOR KIT D50 MOD.VHS CR	
6A	4089100788	1	KIT WHEEL CONTAINER MOD.VHS	
7A	4089100789	1	KIT HANDLE FOR CONTAINER MOD.VHS	
7A	4089100795	1	KIT HANDLE FOR CONTAINER SS MOD.VHS	
8A	4083000933	1	CONTAINER COM.D400 VHS	
8A	4083000872	1	CONTAINER COM.D400 VHS	
9A	4089100941	1	LABELS KIT VHS120	



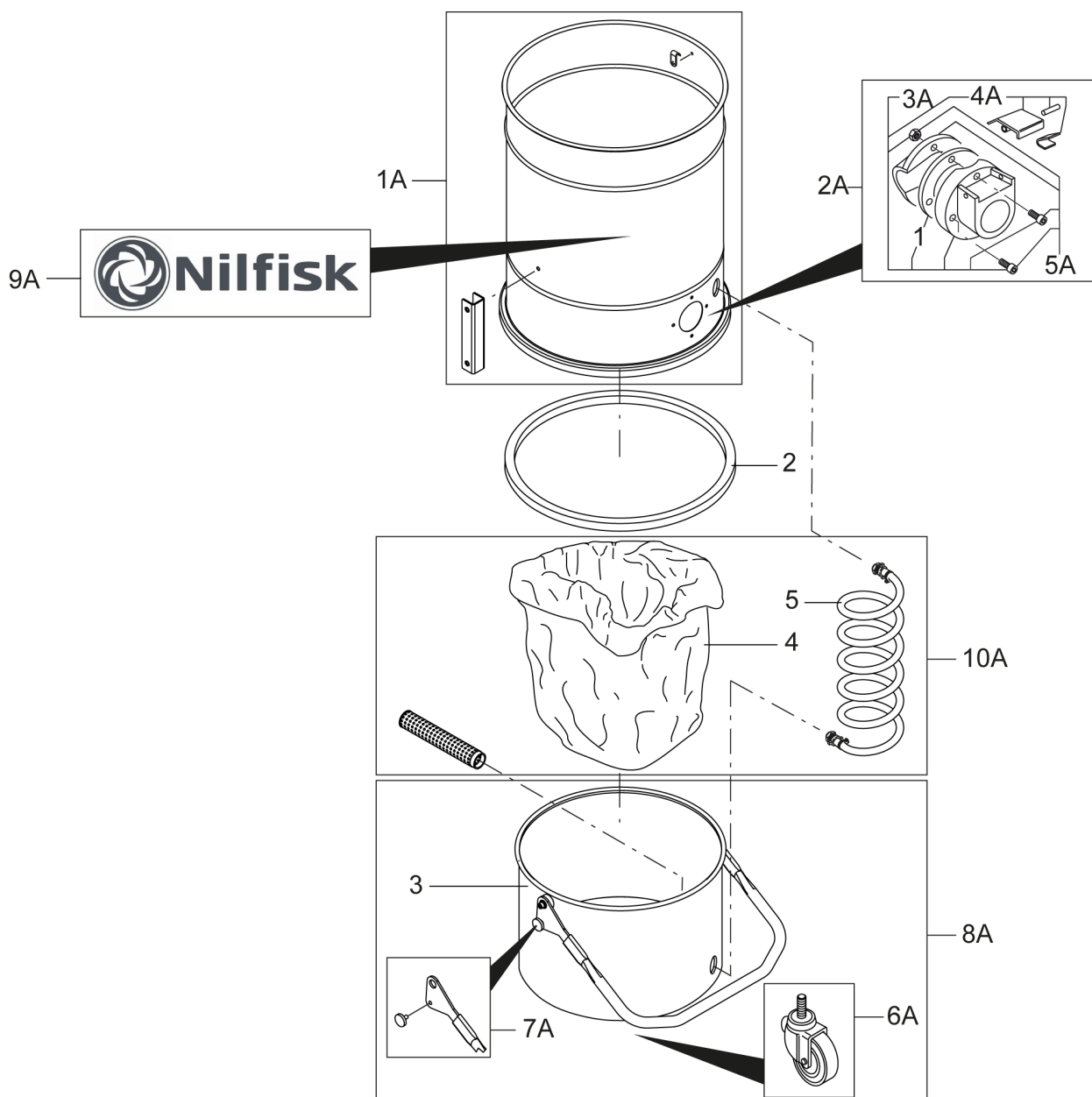
Pos.	Product no	QTY	Description	Notes
1	Z8 17005	1	INLET SEAL D50	
2	4083100888	1	PORTASACCO D355 RAL7016 OPACO LONGOPAC	
2	4083101736	1	PORTASACCO D355 LONGOPAC INOX	
3	4084000955	2	BLACK BRACKET LONGOPAC 1100 X 20 X	
4	4084000956	1	MINI PACKAGE 4X20 MT 68 MICRON LONGOPAC	
1A	4089100961	1	FILTER CHAMBER KIT MOD.VHS120	
1A	4089101145	1	HOPPER KIT SS VHS110	
2A	40000393	1	KIT COMPLETE INLET FE D50	
2A	40000394	1	KIT COMPLETE INLET INOX D50	
3A	40000318	1	KIT INLET FE D50	
3A	40000319	1	KIT INLET INOX D50	
4A	40000320	1	KIT PUSHBUTTON FOR INLET D50	
5A	4089100814	1	DEFLECTOR KIT D50 MOD.VHS CR	
6A	4089101144	1	CLAPET CLOSING KIT VHS110 ATEX	
6A	4089101146	1	SS CLAPET CLOSING KIT VHS110	
7A	4089100872	1	KIT ADHESIVE SEAL 25X3	
8A	4089100941	1	LABELS KIT VHS120	



Pos.	Product no	QTY	Description	Notes
1	Z8 17005	1	INLET SEAL D50	
2	4081100183	1	JOINT RING GASKET D400	
2	4081701238	1	FILTER SILICONE SEAL D390 VHS110	
3	4083001004	1	CONT. D400X315 SAFE BAG VHS110 R7001	
3	4083000890	1		
4	Z8 33328	1	BAG TIGHT. BASKET D360	
4	Z8 33332	1	BAG TIGHT. BASKET D360 INOX	
5	4084001003	1	5 PAPER BAG SERIES D360	
6	4084001467	1	SAFE BAG ANTISTATIC D360 - D400	
1A	4089101007	1	FILTER CHAMBER NO HOLE KIT	
1A	4083101841	1		
2A	Z5 60349	1	KIT INLET X PAPER BAG D.50 COMP.WITH	
2A	4089100837	1	INLET COMPLETE D50 SS KIT	
3A	40000318	1	KIT INLET FE D50	
3A	40000319	1	KIT INLET INOX D50	
4A	40000320	1	KIT PUSHBUTTON FOR INLET D50	
5A	40000536	1	KIT DEFLECTOR D50 STRAIGHT	
5A	4089100375	1	SS DEFLECTOR KIT	
6A	40000358	1	KIT WHEELS FOR CONTAINER FE	
7A	4089100789	1	KIT HANDLE FOR CONTAINER MOD.VHS	
7A	4089100795	1	KIT HANDLE FOR CONTAINER SS MOD.VHS	
8A	4056000896	1		
8A	4056000948	1	KIT DISPOSAL SYSTEM VHS120 INOX	
9A	4089100941	1	LABELS KIT VHS120	
10A	Z7 21069	1	PLUG X INLET D50 FE COMPLETE	
10A	Z7 21071	1	PLUG X INLET D50 INOX COMPLETE	[1]

Part Notes:

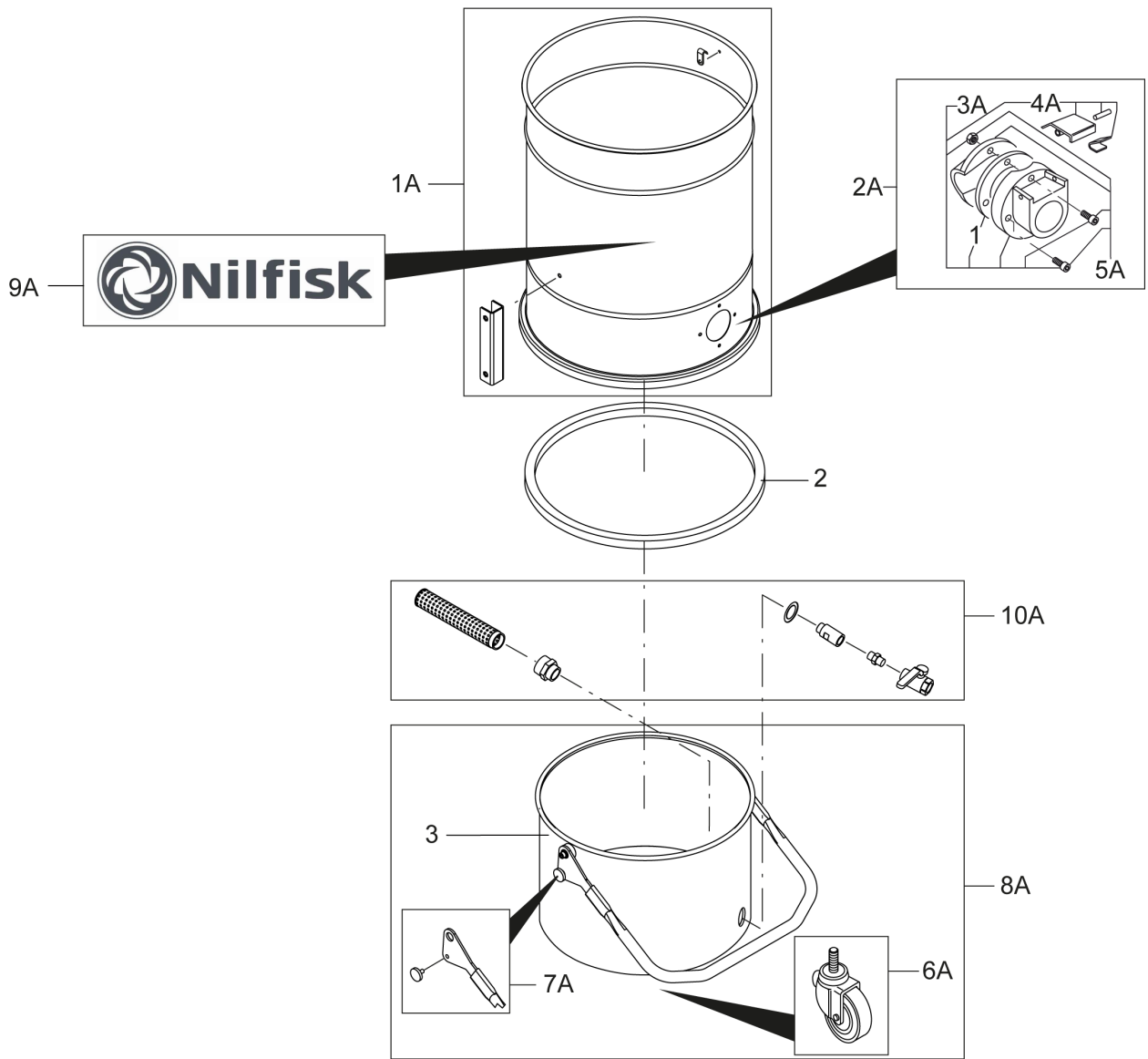
[1] - CONTACT PM IN ZOCCA



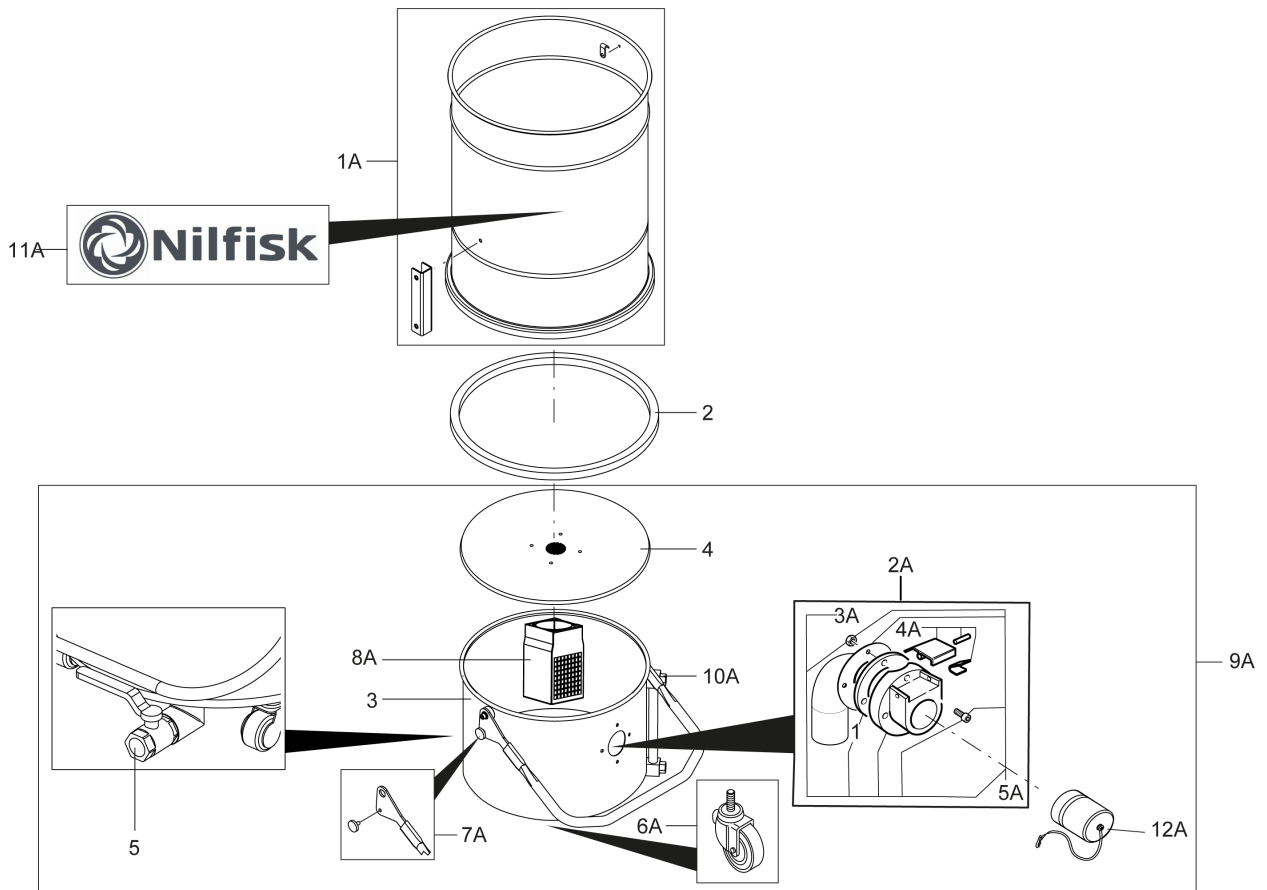
Pos.	Product no	QTY	Description	Notes
1	Z8 17005	1	INLET SEAL D50	
2	4081100183	1	JOINT RING GASKET D400	
2	4081701238	1	FILTER SILICONE SEAL D390 VHS110	
3	4083001027	1	CONTENITORE D400x315 FORATO VHS110 R7001	
3	4083001028	1	CONTENITORE D400x315 FORATO VHS110 INOX	
4	Z01769505	1	POLYLINER CONDUCTIVE 30'X26' - 760X660MM	
5	Z5 60133	1	DEPRESSOR COMPLETE M.317	[1]
1A	4081100213	1	LATERALE D400x410 VHS110 FORATO R7001	
1A	4081100214	1	LATERALE D400x410 VHS110 FORATO INOX	
2A	40000393	1	KIT COMPLETE INLET FE D50	
2A	40000394	1	KIT COMPLETE INLET INOX D50	
3A	40000318	1	KIT INLET FE D50	
3A	40000319	1	KIT INLET INOX D50	
4A	40000320	1	KIT PUSHBUTTON FOR INLET D50	
5A	4089100814	1	DEFLECTOR KIT D50 MOD.VHS CR	
6A	4089100788	1	KIT WHEEL CONTAINER MOD.VHS	
7A	4089100789	1	KIT HANDLE FOR CONTAINER MOD.VHS	
7A	4089100795	1	KIT HANDLE FOR CONTAINER SS MOD.VHS	
8A	4083001029	1	CONTENITORE PER VALVOLA COM.D400 VHS120	
8A	4083001031	1		
9A	4089100941	1	LABELS KIT VHS120	
10A	4056000417	1	KIT PLASTIC BAG D460 L50 MODELLI CTS-CTT	

Part Notes:

[1] - ONLY USED FOR PRODUCTION



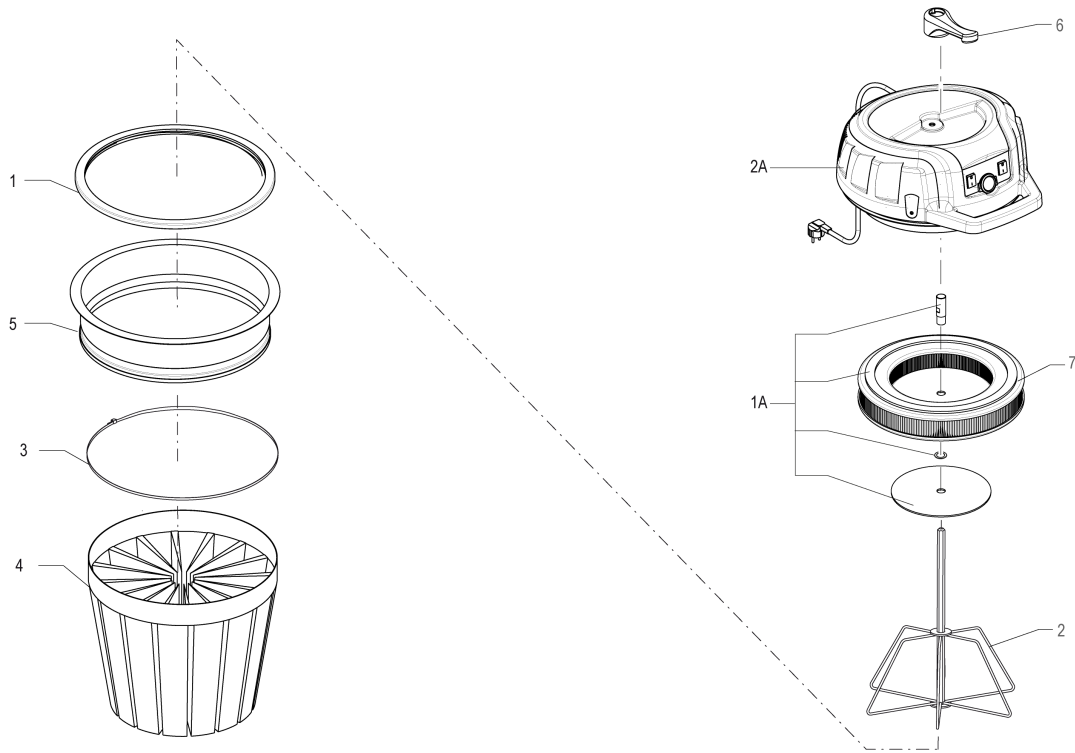
Pos.	Product no	QTY	Description	Notes
1	Z8 17005	1	INLET SEAL D50	
2	4081100183	1	JOINT RING GASKET D400	
2	4081701238	1	FILTER SILICONE SEAL D390 VHS110	
3	4083001028	1	CONTENITORE D400x315 FORATO VHS110 INOX	
1A	4089100787	1	FILTER CHAMBER KIT MOD.VHS	
1A	4089100794	1	FILTER CHAMBER KIT SS MOD.VHS	
2A	40000393	1	KIT COMPLETE INLET FE D50	
2A	40000394	1	KIT COMPLETE INLET INOX D50	
3A	40000318	1	KIT INLET FE D50	
3A	40000319	1	KIT INLET INOX D50	
4A	40000320	1	KIT PUSHBUTTON FOR INLET D50	
5A	4089100814	1	DEFLECTOR KIT D50 MOD.VHS CR	
6A	4089100788	1	KIT WHEEL CONTAINER MOD.VHS	
7A	4089100789	1	KIT HANDLE FOR CONTAINER MOD.VHS	
7A	4089100795	1	KIT HANDLE FOR CONTAINER SS MOD.VHS	
8A	4083001029	1	CONTENITORE PER VALVOLA COM.D400 VHS120	
8A	4083001030	1		
9A	4089100941	1	LABELS KIT VHS120	
10A	4056000819	1	GRILL AND VALVE VHS-VHC SS	



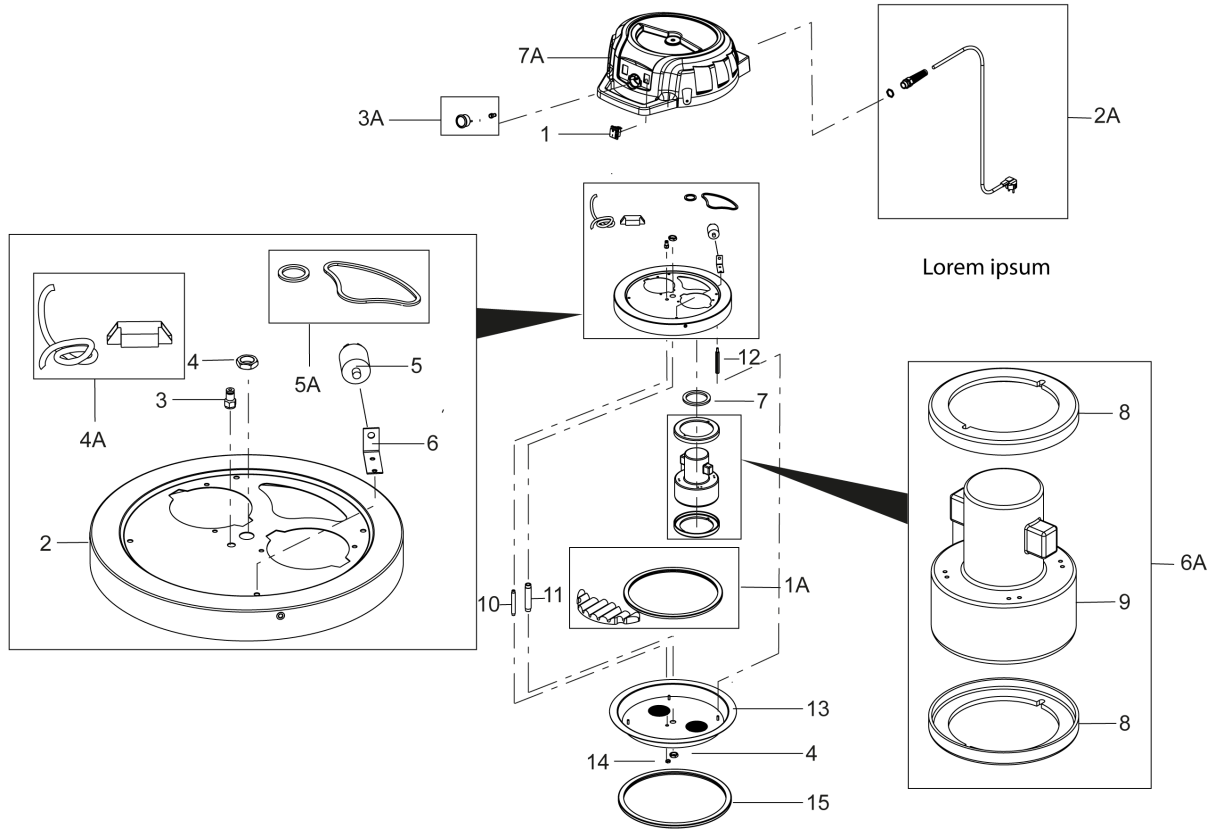
Pos.	Product no	QTY	Description	Notes
1	Z8 17005	1	INLET SEAL D50	
2	4081100183	1	JOINT RING GASKET D400	
2	4081701238	1	FILTER SILICONE SEAL D390 VHS110	
3	4083000888	1	CONTAINER D400X300 SS LIQUID KIT VHS110	
4	4081200604	1	FLOAT CAGE HOLDER DISC VHS110 SS	
5	Z8 40222	1	BALLCOCK 1 MF	
1A	4089101007	1	FILTER CHAMBER NO HOLE KIT	
1A	4083101841	1		
2A	4089100851	1	INLET COMPLETE KIT D50 MOD.VHS	
3A	40000318	1	KIT INLET FE D50	
3A	40000319	1	KIT INLET INOX D50	
4A	40000320	1	KIT PUSHBUTTON FOR INLET D50	
5A	Z8 12404	1	SS DEFLECTOR D50 A15EXP 118EXP	[1]
6A	4089100788	1	KIT WHEEL CONTAINER MOD.VHS	
7A	4089100789	1	KIT HANDLE FOR CONTAINER MOD.VHS	
7A	4089100795	1	KIT HANDLE FOR CONTAINER SS MOD.VHS	
8A	4089100852	1	KIT FLOAT MOD.VHS	
9A	4056000821	1	LIQUID KIT VHS110	
10A	4089101021	1	KIT LEVEL CONTROL IS D400	
11A	4089100941	1	LABELS KIT VHS120	
12A	4072100152	1	PLUG X INLET D50 COMPLETE WITH OR	

Part Notes:

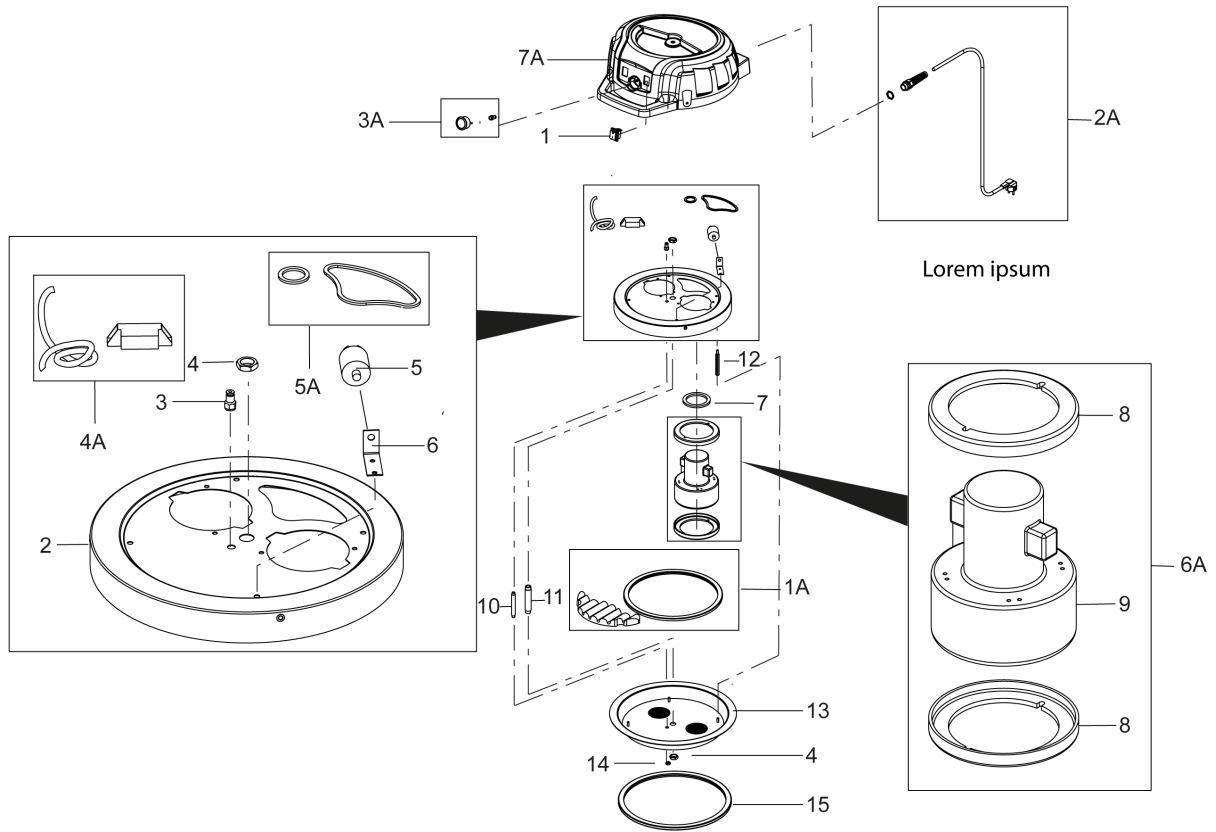
[1] - SEE SM-SP-007



Pos.	Product no	QTY	Description	Notes
1	Z8 17025	1	FILTER SEAL D360 BLACK	
2	4083300452	1	8-ELEMENTS FILTER-HOLDER CAGE D400 8 FE	
3	4084001291	1	FILTER BLOCK TIE D400	
4	4081701390	1	L-CLASS 16-POCK. STAR FILTER D400 X 340	
4	4081701393	1	M-CL. 16-POCK. SEAL. STAR FILT. D400X340	
4	4081701392	1	16-POCK. NOMEX STAR FILTER D400 X 340	
4	4081701559	1	FILTRO STEL.D400x340 16 TASCHE PTFE ANT	
5	4081500274	1	INCREASED ZINC-PL. FILT. HOLD. RING D400	
6	4081400910	1		
7	4081701384	1	ABSOLUTE FILTER HEPA 14 D.350 X 60	
1A	4056000813	1	KIT ABSOLUT FILTER MOD.VHS120	
2A	4089100948	1	KIT COMPLETE HEAD MOD.VHS120 V230	
2A	4089100949	1	KIT COMPLETE HEAD MOD.VHS120 V110 UKP	
2A	4085300431	1	TESTATA COMPLETA VHS120 230V CHP	



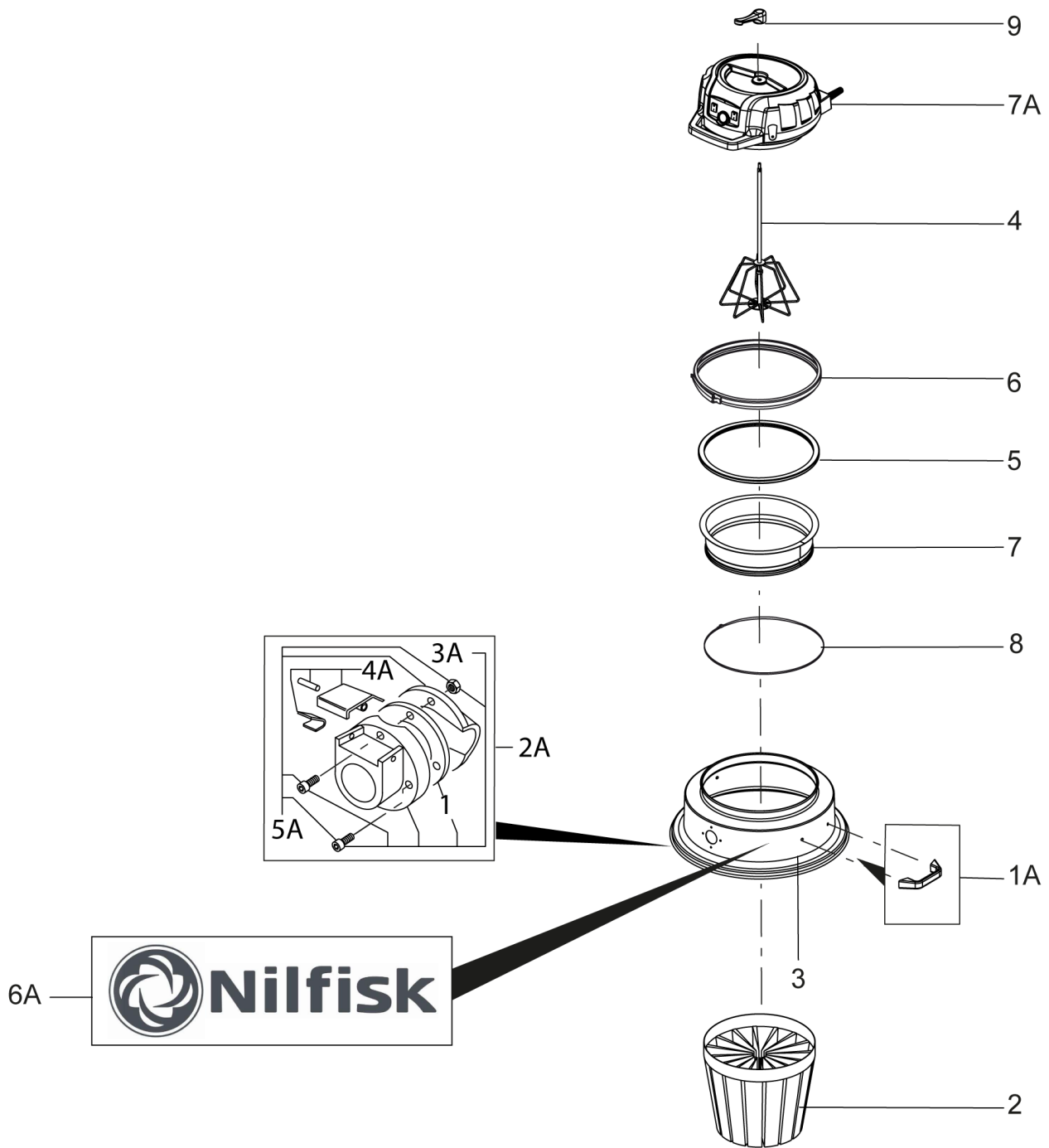
Pos.	Product no	QTY	Description	Notes
1	4081200636	1	CICLONE D.400 FE.	
2	4081100203	1	FILTER CHAMBER D400X125 NO HOLE CLAPET	
3	4081500277	1	FILTER HOLDER RING D400 FE VHC1	
4	Z8 17025	1	FILTER SEAL D360 BLACK	
5	4083100861	1		
1A	4056000827	1	KIT CYCLONE FE COMPLETE VHS120	



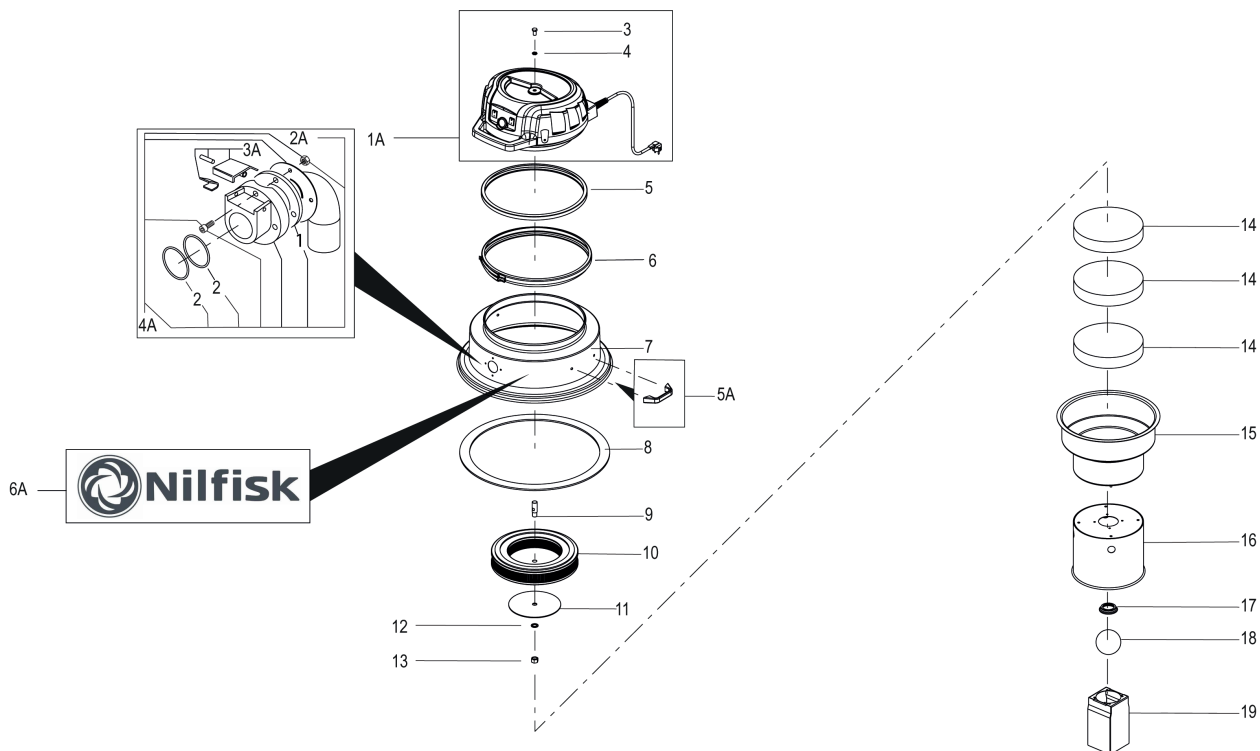
Pos.	Product no	QTY	Description	Notes
1	4083901850	2	SWITCH VHS120 EU BRIGHT GREEN	
2	4081601055	1	MOTOR HOLDER D400 VHS120	
3	4084001294	2	RACCORDO RAPIDO DIRITTO D4 1/8 F	
4	Z8 14052	2	NUT BUSHING FILT.SHAKER FE	
5	Z8 39533	1	FILTER ANTIJAMMING 16A	
6	Z8 18501	1	STAFFA CONDENSATORE	
7	4081701385	2	GUARNIZIONE PER TESTATA VHS120	
8	Z8 17325	4	SEAL X MOTOR D143	
9	4085400024	2	SINGLE PH.MOTOR HP1 2 V230 DOUBLE INS.	[1]
10	4081400904	1	DISTANZIALE PER VUOTOMETRO VHS120	
11	4081400908	1		
12	4081400850	4		
13	4081601056	1		
14	Z8 14178	1		
15	Z8 17025	1	FILTER SEAL D360 BLACK	
1A	4089100947	1	KIT JOINT HEAD MOD.VHS120	
2A	40000909	1	CABLE KIT V230 EU	
3A	4089100945	1	KIT VACUUM GAUGE MOD.VHS120	
4A	4089100956	1	KIT CABLE MOTOR MOD.VHS120 V120	
5A	4089100946	1	SOUND-PROOF HEAD COMPLETE VHS120 KIT	
6A	40000903	2	MOTOR KIT 230V	[1]
7A	4081601083	1	COVER COMPLETE MOD.VHS120 EU	

Part Notes:

[1] - SEE TSB 32/2011



Pos.	Product no	QTY	Description	Notes
1	Z8 17005	1	INLET SEAL D50	
2	4081701390	1	L-CLASS 16-POCK. STAR FILTER D400 X 340	
3	4083101801	1	ADATTATORE VHS120 DT	
4	4083300452	1	8-ELEMENTS FILTER-HOLDER CAGE D400 8 FE	
5	Z8 17025	1	FILTER SEAL D360 BLACK	
6	4083600861	1	BAND LOCK D400 FE	
7	4081500274	1	INCREASED ZINC-PL. FILT. HOLD. RING D400	
8	4084001291	1	FILTER BLOCK TIE D400	
9	4081400910	1		
1A	40000423	1	KIT HANDLE SS	
2A	40000393	1	KIT COMPLETE INLET FE D50	
3A	40000318	1	KIT INLET FE D50	
4A	40000320	1	KIT PUSHBUTTON FOR INLET D50	
5A	4089100814	1	DEFLECTOR KIT D50 MOD.VHS CR	
6A	4081701244	1	ADESIVO NILFISK MEDIO BIANCO	
7A	4089100948	1	KIT COMPLETE HEAD MOD.VHS120 V230	
7A	4089100949	1	KIT COMPLETE HEAD MOD.VHS120 V110 UKP	
7A	4085300431	1	TESTATA COMPLETA VHS120 230V CHP	



Pos.	Product no	QTY	Description	Notes
1	Z8 17005	1	INLET SEAL D50	
2	Z8 40720	2	O.R. X OIL 220	
3	4083901729	1	TAPPO M12 PA ATEX II2GD Exe	
4	4083901733	1	GHIERA METALLICA M12	
5	Z8 17025	1	FILTER SEAL D360 BLACK	
6	4083600861	1	BAND LOCK D400 FE	
7	4083101801	1	ADATTATORE VHS120 DT	
8	4081701572	2 m	ADHESIVE SEAL MOUSSE 6X40	
9	4081400909	1	DISTANZIALE PER FILTRO ASSOLUTO VHS120	
10	4081701608	1	FILTER D350 OILPROOF-WATERPROOF DT55 L	
11	4081500275	1	DISCO FILTRO ASSOLUTO VHS120 FE	
12	Z8 13084	1		
13	Z8 14539	1	TAPPO X BOCCOLA TESTATA M18X1 5 FEMMINA	
14	Z8 17257	3	FILTER X STEAMS OIL 440	
15	4081200670	1	CONTENITORE PER GALLEGGIANTE	
16	4081200671	1	PROTEZIONE GALLEGGIANTE DT55 L	
17	4084000988	1	LIP SEAL D50 M.WSS-WST	
18	4083200637	1	GALLEGGIANTE D100 M.WSS-WST	
19	4083300354	1	GABBIA INOX X GALLEGGIANTE M.WSS-WST	
1A	4085300441	1	TESTATA COMPLETA VHS120 230V DT55 L	
2A	40000800	1	D50 INLET KIT	
3A	40000320	1	KIT PUSHBUTTON FOR INLET D50	
4A	4083200976	1	DEFLETTORE D50 CURVO DT55 L	
5A	40000423	1	KIT HANDLE SS	
6A	4081701244	1	ADESIVO NILFISK MEDIO BIANCO	

Pos.	Product no	QTY	Description	Notes
1	4081200636	1	CICLONE D.400 FE.	
2	4081100203	1	FILTER CHAMBER D400X125 NO HOLE CLAPET	
3	4081500277	1	FILTER HOLDER RING D400 FE VHC1	
4	Z8 17025	1	FILTER SEAL D360 BLACK	
5	4083100861	1		
1A	4056000827	1	KIT CYCLONE FE COMPLETE VHS120	
