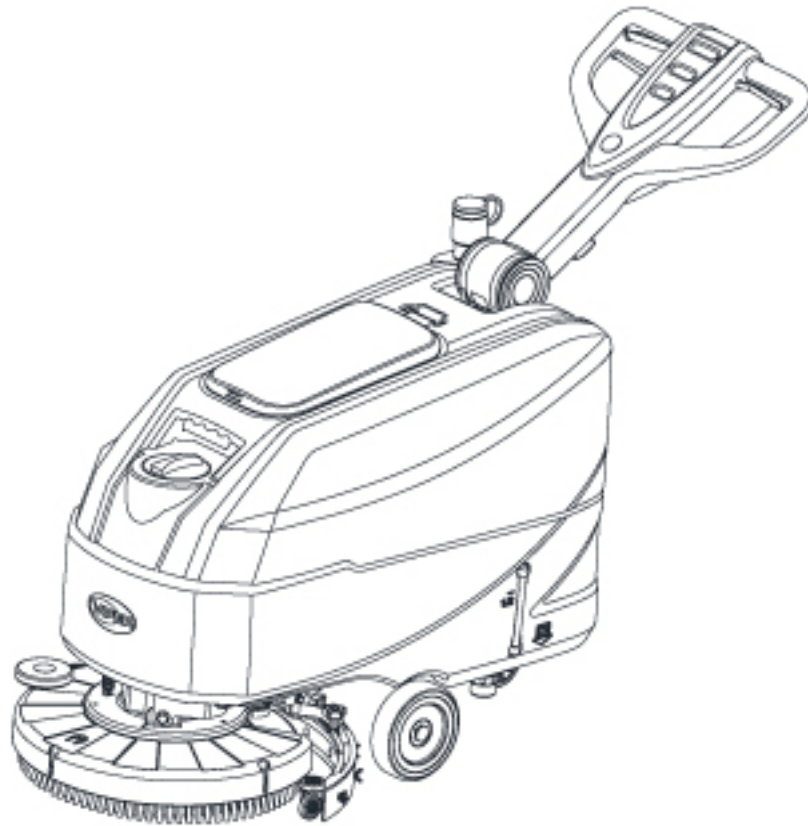


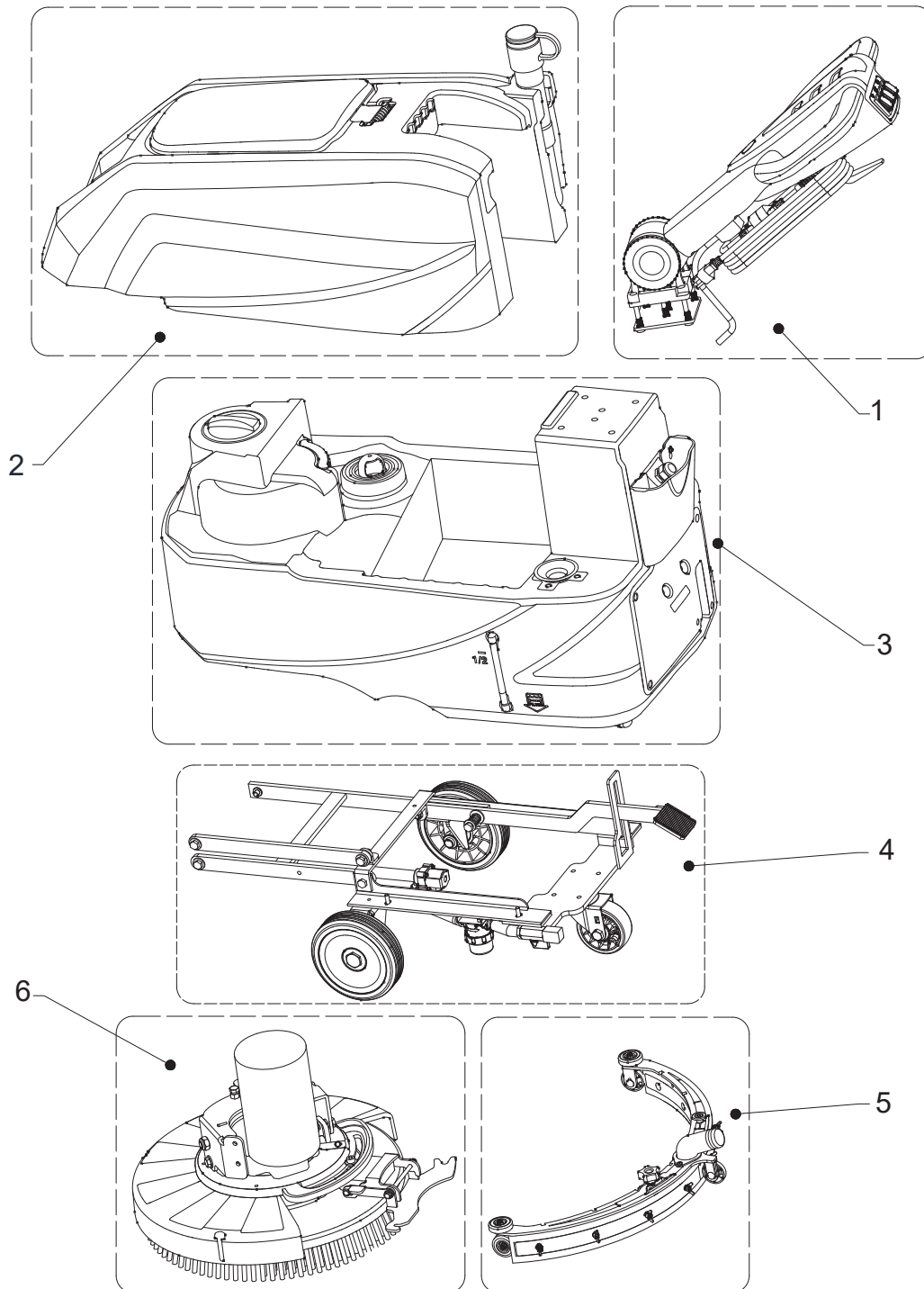
PARTS LIST



2024.01.09

TABLE OF CONTENTS

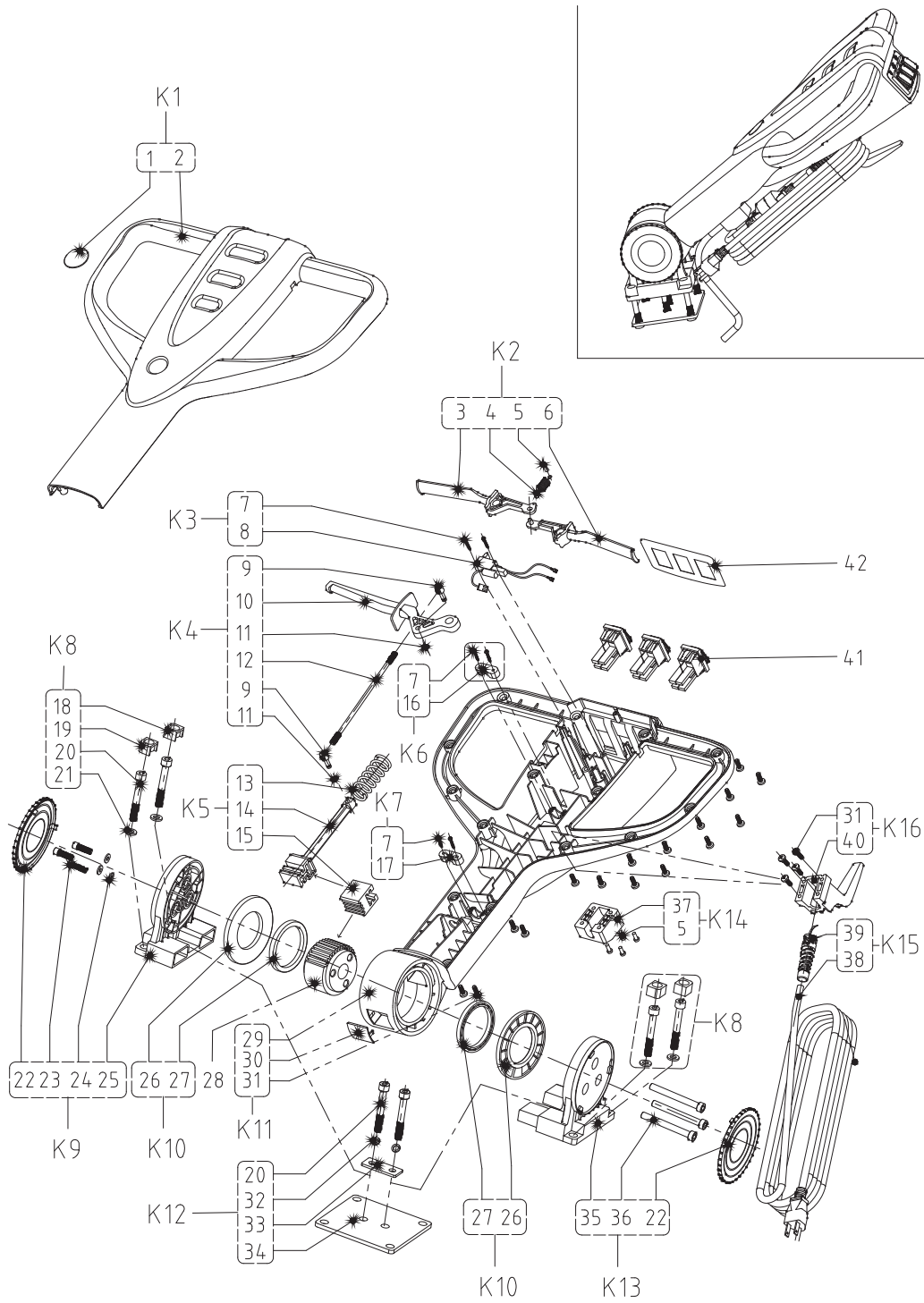
General view	1
Handle	3
Recovery tank	6
Solution tank	8
Chassis	11
Squeegee	13
Brush	15
Wear and Tear Parts	18
Wiring diagram	20



Pos.	Product no	QTY	Description	Notes
1		1	AS4335C HANDLE ASSEMBLY	[1]
2		1	AS4335C RECOVERY TANK ASSEMBLY	[2]
3		1	AS4335C SOLUTION TANK ASSEMBLY	[3]
4		1	AS4335C CHASSIS ASSEMBLY	[4]
5		1	AS4325B & AS4335C SQUEEGEE ASSEMBLY	[5]
6		1	AS4335C BRUSH ASSEMBLY	[6]

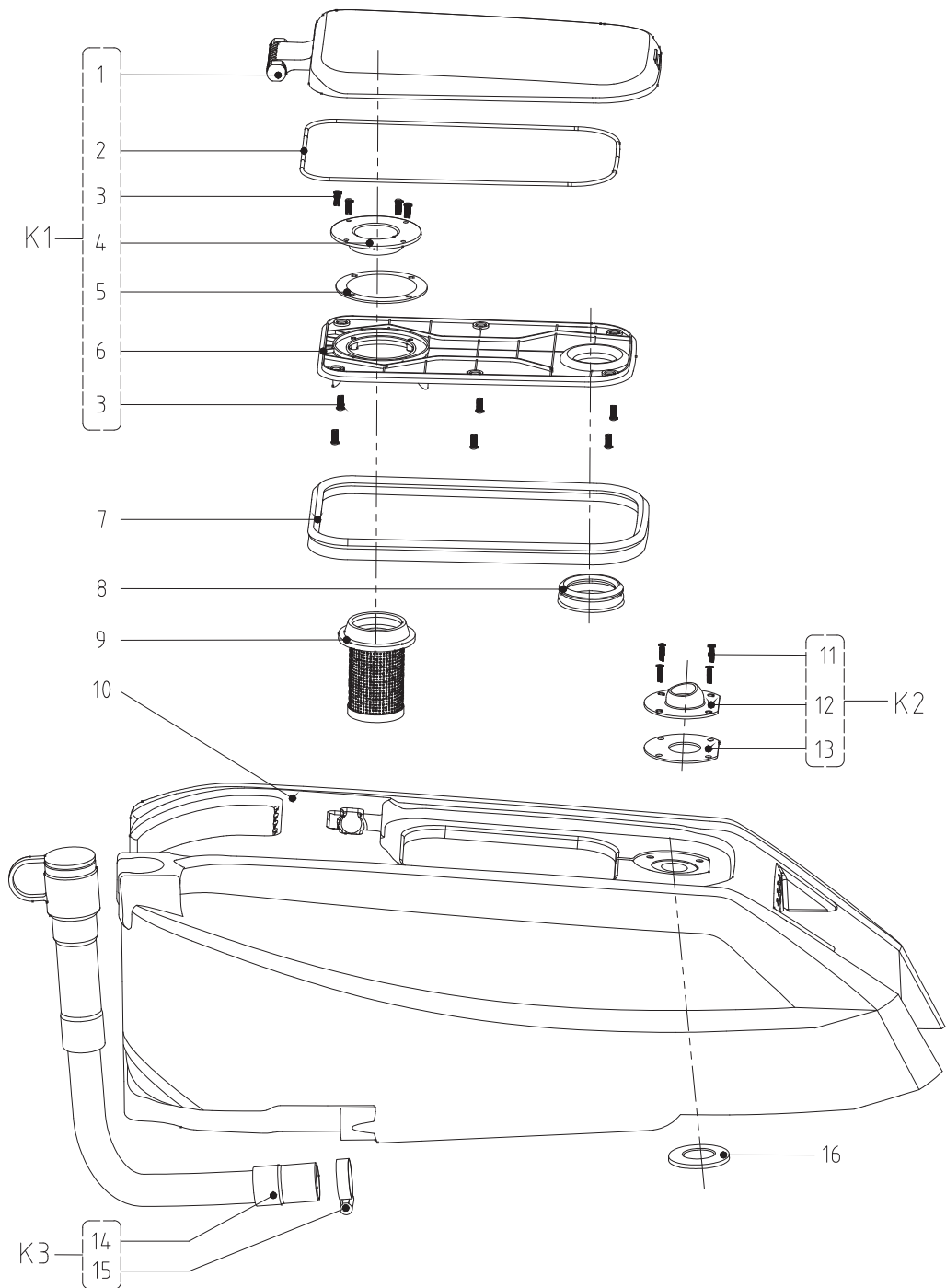
Part Notes:

- [1] - Handle
- [2] - Recovery tank
- [3] - Solution tank
- [4] - Chassis
- [5] - Squeegee
- [6] - Brush

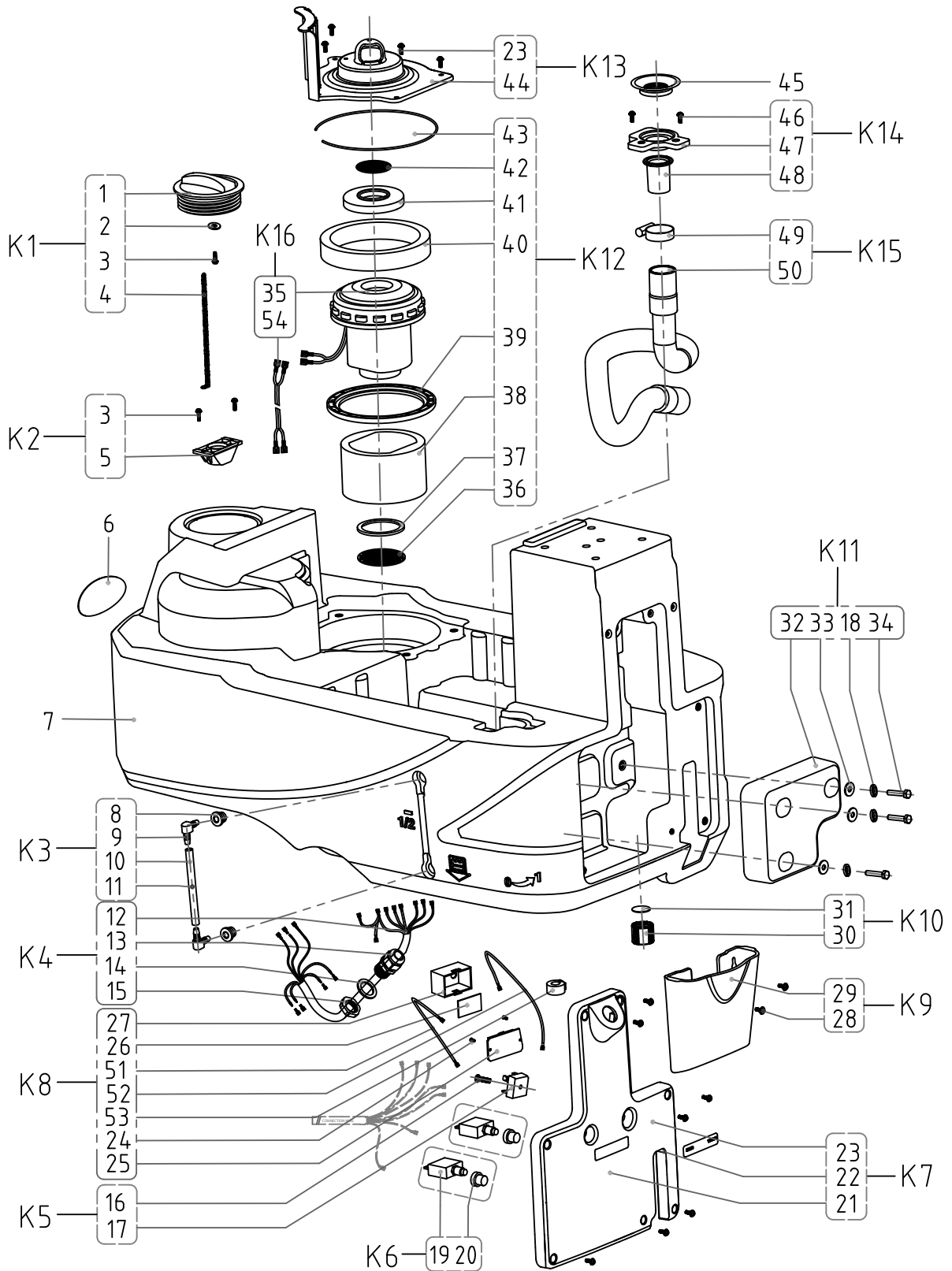


Pos.	Product no	QTY	Description	Notes
1		1	STICKER DROP GLUE	
2	VS15137	1	FRONT COVER HANDLE	
3	VS15132	1	RIGHT LEVER BRUSH SWITCH	
4		1	SPRING	
5		5	SCREW ST4X10	
6	VS15131	1	LEFT LEVER BRUSH SWITCH	
7		6	SCREW ST3X16	
8	VV81432	1	MICRO SWITCH	
9		2	FIXING END OF PULLING ROD	
10	VS15133	1	ADJUST LEVER HANDLE	
11		2	WASHER	
12		1	PULLING ROD	
13		1	SPRING COMPRESSION	
14	VS15135	1	CONNECTION ROD	
15	VS15193	1	RACK	
16		1	CLAMP BOW	
17		1	CLAMP CONCAVE	
18		2	RUBBER SLEEVE SCREW ROD EDGE	
19		2	RUBBER SLEEVE SCREW ROD	
20		6	SCREW M8X60	
21		4	WASHER OD15.7XID8.5XT1.5MM	
22	VS15142	2	DECORATION COVER HANDLE	
23		3	SCREW ROD M5X20	
24		3	WASHER ID5XOD12XT1MM	
25	VS15144	1	RIGHT FIXING BASE HANDLE	
26		2	ANTI ABRATION CIRCLE	
27		2	INNER FIXING CIRCLE OF GEAR	
28	VS15192	1	GEAR	
29	VS15149	1	REAR COVER HANDLE	
30	VS15141	1	SEALING COVER HANDLE	
31		20	SCREW PB5X14	
32		2	WASHER	
33		1	CONNECTION PLATE OF FIXING BASE	
34		1	FIXING PLATE OF FIXING BASE	
35	VS15143	1	LEFT FIXING BASE HANDLE	
36		3	FIXING SCREW ROD OF GEAR	
37		1	CABLE FIXING BRACKET	
38a	VF90703-EU	1	CABLE 20M EU VERSION	
38b	VF90703-UK	1	CABLE 20M UK VERSION	
38c	VF90703-US	1	CABLE 20M US VERSION	
39		1	CABLE STRAIN RELIEF	
40		1	CABLE HOOK	
41	VV60153	3	SWITCH RL2 P	
42	VS15321	1	DECAL CONTROL PANEL CABLE VERSION	
K1	VS15383	1	FRONT COVER HANDLE KIT	
K2	VS15384	1	LEVER BRUSH SWITCH KIT	
K3	VV81063	1	MICRO SWITCH - ROLLER BRUSH AND PUMP KIT	
K4	VS15385	1	ADJUST LEVER HANDLE KIT	
K5	VS15386	1	CONNECTION ROD KIT	
K6	VA21517A	1	CLAMP BLOCK INCLSCREW	
K7	VV81068	1	CLAMP CONCAVE KIT	
K8	VS15387	2	RUBBER SLEEVE SCREW ROD KIT	
K9	VS15388	1	RIGHT FIXING BASE KIT	
K10	VS15389	2	INNER FIXING CIRCLE OF GEAR KIT	
K11	VS15395	1	REAR HANDLE COVER KIT	
K12	VS15391	1	FIXING PLATE OF FIXING BASE KIT	
K13	VS15392	1	LEFT FIXING BASE KIT	
K14	VS15393	1	CABLE FIXING BRACKET KIT	
K15a	VS15030	1	POWER CORD 20M KIT EU KIT	

Pos.	Product no	QTY	Description	Notes
K15c	VS15031		POWER CORD 20M KIT CN KIT	
K15b	VS15029	1	POWER CORD 20M KIT UK KIT	
K16	VS15397	1	CABLE HOOK KIT	
Only US	VV67507		PIGTAIL CORD US	
Only US	VV81414		PIGTAIL CORD KIT US	

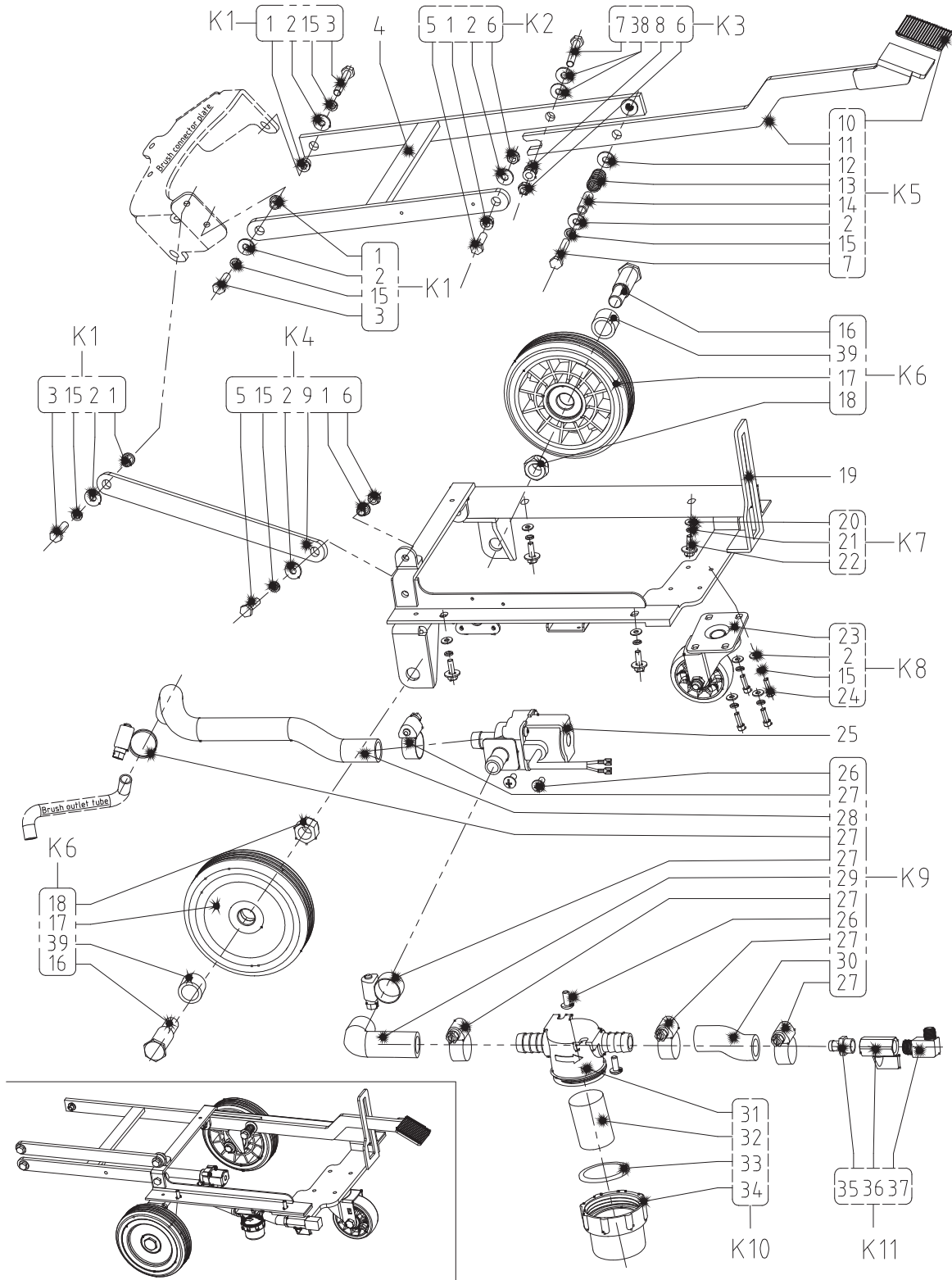


Pos.	Product no	QTY	Description	Notes
1		1	RECOVERY TANK LID	
2		1	INNER GASKET OF RECOVERY TANK LID	
3		10	SCREW ST4X12	
4		1	FLOAT CUP ADAPTOR	
5		1	RUBBER GASKET OF ADAPTOR	
6		1	BOTTOM BASE OF RECOVERY TANK LID	
7	VS15225	1	GASKET OF RECOVERY TANK LID	
8	VS15226	1	SUCTION PORT ROUND GASKET	
9	VS15323	1	VACUUM GRID WITH AUTO SHUT-OFF FLOAT	
10	VS15161	1	RECOVERY TANK 35L DARK GREY	
11		4	SCREW M4X12	
12		1	SUCTION PORT	
13		1	SUCTION PORT GASKET	
14		1	DRAIN HOSE	
15	VS15271	1	CLAMP 21-38MM SUS304	
16	VS15320	1	HIGH ELASTIC GASKET	
K1	VS15398	1	RECOVERY TANK LID KIT	
K2	VS15399	1	SUCTION PORT KIT	
K3	VS15400	1	DRAIN HOSE KIT	

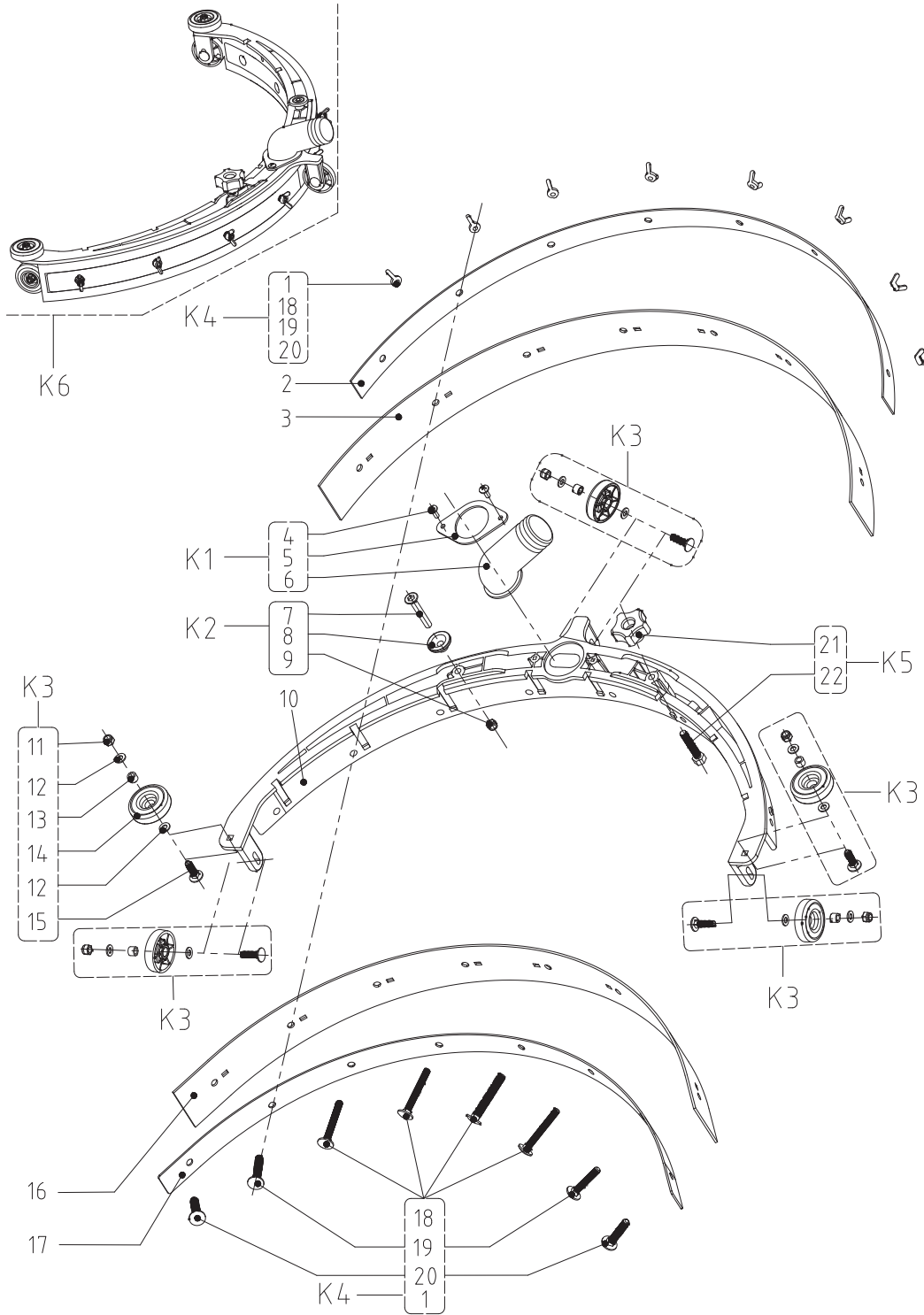


Pos.	Product no	QTY	Description	Notes
1	VF80304-010	1	SOLUTION COVER RED	
2		1	WASHER ID4XOD12X1MM	
3		3	SCREW TA3.5X12MM	
4		1	ZIPPER	
5		1	INLET PIPE FRAME	
6	VS15231	1	LOGO LABEL	
7	VS15162	1	SOLUTION TANK 35L DARK GREY	
8		2	JOINTS GASKET	
9		2	ELBOW, 90°	
10		1	HOSE FRESH WATER LEVEL	
11		1	FLOATING BALL OF WATER LEVEL	
12		1	COMMUNICATION CABLE	
13		1	CABLE STRAIN RELIEF	
14		1	GASKET	
15		1	CABLE STRAIN RELIEF NUT	
16	VS15016	1	RECTIFIER 1000V 50A	
17		1	SCREW ST4.0X16MM	
18		3	WASHER DIAMETER 6MM	
19	VS15033	2	CIRCUIT BREAKER 3A EU	
20		2	WATERPROOF CAP	
21		1	REAR COVER	
22	VS15233	1	CIRCUIT BREAKER LABEL	
23		11	SCREW PWM4.0X12MM	
24		1	EMI TOP COVER	
25		1	EMI PCB	
26		1	EMI BOTTOM CAP	
27		2	SCREW PB3X8MM	
28		2	SCREW WITH WASHER PWM4.0X14MM	
29		1	BACK ACCESSORY BOX	
30		1	SOLUTION OUTLET COVER	
31		1	GASKET	
32		1	COUNTER WEIGHT	
33		3	WASHER ID6XOD18XT1.5MM	
34		3	SCREW M6X30MM	
35	VS15005	1	VACUUM MOTOR 220-230V 50HZ	
36		1	INTLET AIR FILTER GRIM	
37		1	INTLET AIR GASKET	
38		1	BOTTOM ACOUSTIC INSULATION PIPE	
39		1	MIDDLE GASKET	
40		1	UP ACOUSTIC INSULATION PIPE	
41		1	TOP GASKET	
42		1	INLET AIR FILTER FRIM	
43		1	EVA GASKET	
44		1	VACUUM MOTOR COVER	
45	VS15240	1	DRAIN HOSE HORN GASKET	
46		2	SCREW M4X12MM	
47		1	BRACKET SUCTION HOSE	
48		1	CONNECTOR SUCTION HOSE	
49	VS15271	1	CLAMP 21-38MM SUS304	
50		1	SUCTION HOSE	
51		1	EMI CONNECTIONS CABLE BLUE	
52		1	EMI CONNECTIONS CABLE BROWN	
53		1	EMIFIL	
54		1	CONNECTIONS CABLE VACUUM MOTOR	
K1	VS15401	1	SOLUTION COVER KIT	
K2	VS15402	1	INLET PIPE FRAME KIT	
K3	VS15403	1	HOSE FRESH WATER LEVEL KIT	
K4	VS15456	1	COMMUNICATION CABLE EU KIT	
K5	VS15417	1	RECTIFIER KIT	

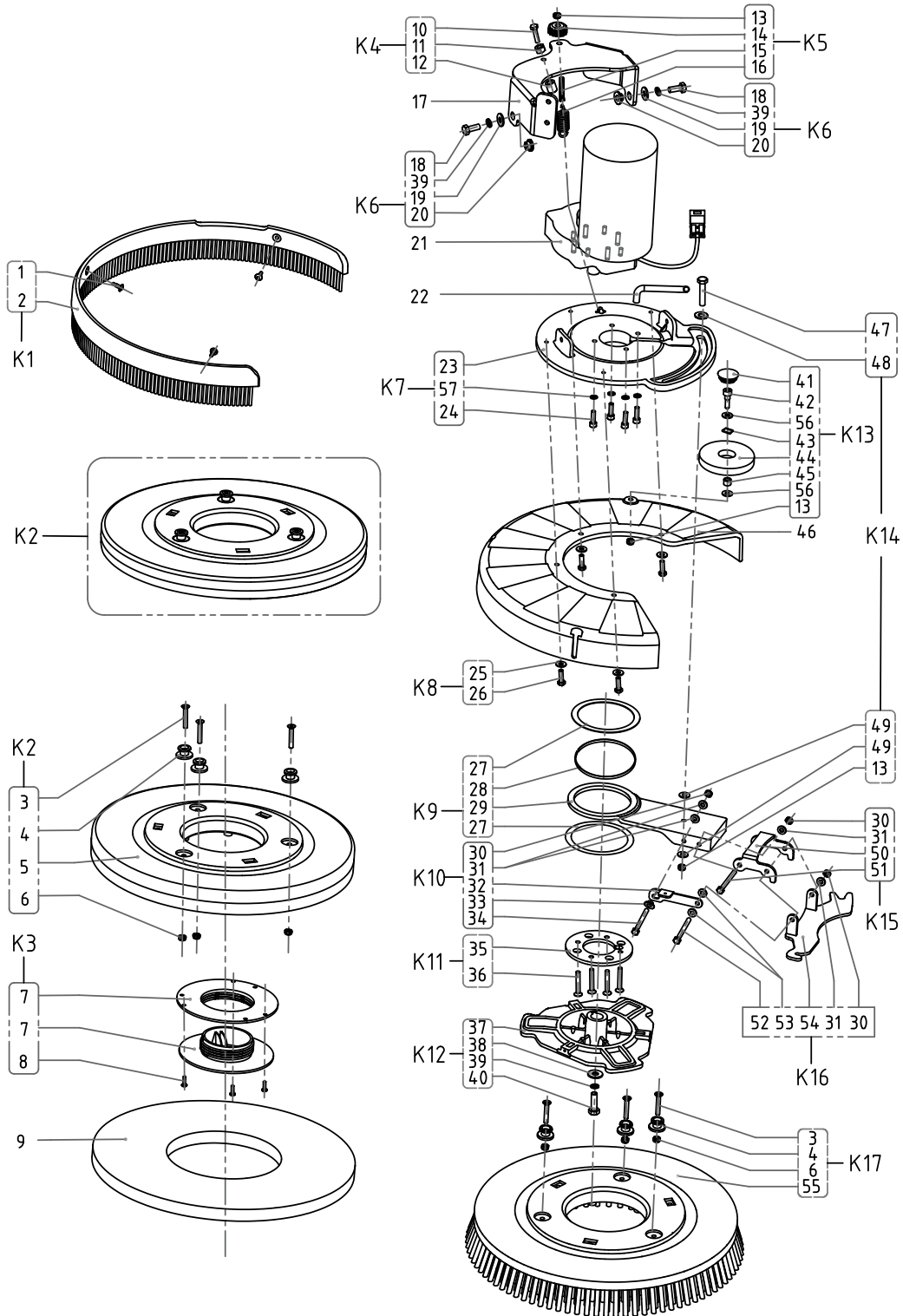
Pos.	Product no	QTY	Description	Notes
K6	VS15418	2	CIRCUIT BREAKER 3A EU KIT	
K7	VS15420	1	REAR COVER KIT	
K8	VS15377	1	EMI KIT	
K9*	VS15409	1	BACK ACCESSORY BOX KIT	
K10	VF89110A	1	KIT DRAIN WATER	
K11	VS15421	1	COUNTER WEIGHT KIT	
K12	VS15412	1	GASKET VACUUM MOTOR KIT	
K13	VS15413	1	VACUUM MOTOR COVER KIT	
K14	VS15414	1	BRACKET SUCTION HOSE KIT	
K15	VS15415	1	SUCTION HOSE KIT	
K16	VS15486	1	VACUUM MOTOR 220V KIT	



Pos.	Product no	QTY	Description	Notes
1		5	BUSHING	
2		10	WASHER	
3		3	SCREW M8x25	
4	VS15101	1	BRUSH LIFTING SUPPORT	
5		2	SCREW M8x30	
6		3	NUT M8	
7		2	SCREW M8x50	
8		1	STEPS BUSHING	
9	VS15102	1	FRONT PEDAL BRUSH LIFTING	
10	VS10613	1	PEDAL LEVER GASKET	
11	VS15103	1	BACK PEDAL BRUSH AND SQUEEGEE LIFTING	
12		1	WASHER Ø12X Ø24X2MM	
13		1	RESET SPRING	
14		1	BUSHING	
15		9	WASHER DIAMETER 8MM	
16		2	WHEEL SHAFT	
17	VS15430	2	WHEEL 6 INCH	
18		2	NUT M16	
19	VS15100	1	CHASSIS	
20		4	SPRING WASHER	
21		4	WASHER DIAMETER 6MM	
22		4	SCREW M6X25	
23	VS15327	1	3.5 INCH CASTER	
24		4	SCREW M8x20	
25	VS15015	1	230V AC SOLENOID VALVE KIT	
26		4	SCREW M4X10	
27	VV10114	6	CLAMP	
28		1	HOSE Ø 20MM L400mm	
29		1	HOSE WITH SPRING L130mm	
30		1	HOSE WITH SPRING L70mm	
31		1	FILTER BASE	
32	VF90608	1	FILTER NET	
33	VF90607	1	O-RING	
34	VF90603	1	FILTER COVER	
35		1	STRAIGHT CONNECTOR	
36	VF80361	1	BALL VALVE	
37		1	RIGHT ANGLE CONNECTOR	
38		2	PA WASHER	
39		2	BUSHING1	
K1	VS15422	3	SCREW KIT 1	
K2	VS15423	1	SCREW KIT 2	
K3	VS15424	1	FORNT PEDAL BRUSH LIFTING SCREW KIT	
K4	VS15425	1	SCREW KIT 3	
K5	VS15426	1	BACK PEDAL BRUSH LIFTING KIT	
K6	VS15427	2	WHEEL 6 INCH KIT	
K7	VS15428	1	SCREW KIT 4	
K8	VS15429	1	3.5 INCH CASTER KIT	
K9	VS15433	1	SOLUTION HOSE KIT	
K10	VF90621	1	FILTER	
K11	VF90624	1	BALL VALVE KIT	



Pos.	Product no	QTY	Description	Notes
1	VS15267	8	WING NUT M5	
2	VS15109	1	SQUEEGEE REAR	
3a	VS15204	1	BLADE REAR NATURAL RUBBER	
3b*	VS15205	1	BLADE REAR PU	
4		2	SCREW TM4X12	
5		1	RETAINER	
6	VS15160	1	BEND CONNECTOR	
7		1	SCREW M6X40	
8		1	STUD	
9		1	NUT M6	
10	VS15252	1	SQUEEGEE TOOL	
11		5	NUT M5	
12		10	WASHER OD14.7xID5.5xT1.2mm	
13		5	SPACER	
14	VS15158	5	SQUEEGEE WHEEL	
15		5	SCREW M5X20	
16a	VS15201	1	BLADE FRONT NATURAL RUBBER	
16b*	VS15202	1	BLADE FRONT PU	
17	VS15108	1	SQUEEGEE FRONT	
18		4	SCREW M5X40	
19		2	SCREW M5X30	
20		2	SCREW M5X25	
21	VS15159	1	SQUEEGEE KNOB	
22		1	SCREW M6X40MM	
K1	VS15434	1	BEND CONNECTOR KIT	
K2	VS15435	1	STUD KIT	
K3	VS15436	5	SQUEEGEE WHEEL KIT	
K4	VS15437	1	SQUEEGEE SCREW KIT	
K5	VS15438	1	SQUEEGEE KNOB KIT	
K6	VS15373	1	SQUEEGEE ASSEMBLY	

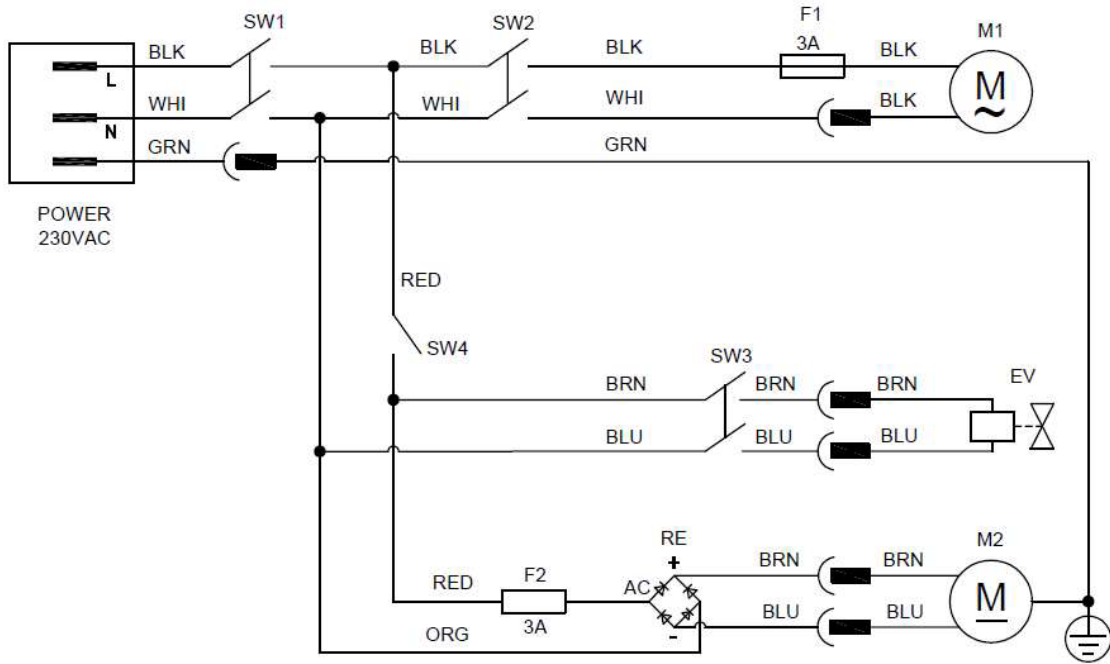


Pos.	Product no	QTY	Description	Notes
56		2	WASHER ID6XOD18XT1.5MM	
1		3	SCREW M4	
2		1	SKIRT DECK	
3		6	SCREW M6X40	
4	VS15332	6	STUD	
5		1	PAD HOLDER 17 INCH	
6		6	NUT M6	
7*	VF99003A	1	BIG MOUTH PAD HOLDER LOCK	
8*	VA13477	3	SCREW M4*15	
9*		1	PAD 17 432MM	
10		1	SCREW M8x40MM	
11		1	NUT M8	
12	VF80241	1	PLASTIC BUSHING	
13		3	NUT M6	
14	VP11007	1	ADJUSTABLE NUT	
15		1	SCREW	
16		1	SPRING	
17	VS15104	1	BRACKET BRUSH MOTOR	
18		2	SCREW M8x25	
19		2	WASHER ID8XOD20XT2MM	
20		2	SPACER	
21	VS15001	1	BRUSH MOTOR 230V AC	
21	VS15000	1	BRUSH MOTOR 120V AC	
22	VS15111	1	INLET TUBE	
23		1	MOTOR FIXING PLATE	
24		4	SCREW M6X20	
25		4	WASHER ID6XOD15XT1.5MM	
26		4	SCREW M6X20	
27	VS15154	2	WEAR RESISTANT WASHER	
28	VS15329	1	ROTATION CIRCLE	
29	VS15155	1	SQUEEGEE ROTATION ARM	
30		3	NUT M5	
31		4	WASHER ID5XOD10XT1.0MM	
32	VS15112	1	LIFTING HANDLE FOR SQUEEGEE	
33		1	SPACER	
34		1	SCREW Ø6xM5x104mm	
35		1	SQUEEGEE TRAY	
36		4	SCREW M6x16	
37	VS15253	1	HUB BRUSH GEAR MOTOR	
38		1	WASHER ID8.4XOD28*T2MM	
39		3	WASHER DIAMETER 8mm	
40		1	SCREW M8x30	
41	VF85128	1	BLOCK	
42		1	SCREW M6X25	
43		1	LOCKWASHER	
44		1	ROLLER BUMPER	
45		1	SPACER	
46	VS15156	1	BRUSH DECK	
47		1	SCREW M6	
48		1	WASHER	
49		2	WASHER ID6XOD22X1.5MM	
50	VS15105	1	SQUEEGEE CONNECTION FRAME	
51		1	SCREW Ø6XM5X96.5MM	
52		1	SCREW Ø6XM5X114MM	
53		2	WASHER ID6XOD13X2MM	
54	VS15106	1	SQUEEGEE BRACKET	
55		1	BRUSH	
56		2	WASHER ID6XOD18XT1.5MM	
57		4	WASHER DIAMETER 6MM	

Pos.	Product no	QTY	Description	Notes
K1	VS15439	1	SKIRT BRISTLE KIT	
K2	VS15440	1	PAD HOLDER KIT	
K3*	VS15441	1	RETAINER PAD KIT	
K4	VS15442	1	REGULATING FULCRUM KIT	
K5	VS15443	1	STRAIGHT ADJUSTING KNOB KIT	
K6	VS15444	2	SCREW KIT1	
K7	VS15445	1	MOTOR FIXING PLATE KIT	
K8	VS15446	1	SCREW KIT2	
K9	VS15447	1	SQUEEGEE ROTATION ARM KIT	
K10	VS15448	1	LIFTING HANDLE FOR SQUEEGEE KIT	
K11	VS15449	1	SQUEEGEE TRAY KIT	
K12	VS15450	1	HUB BRUSH R.GEARMOTOR RIGHT KIT	
K13	VS10133	1	BUMPER ROLLER KIT	
K14	VS15451	1	SCREW KIT3	
K15	VS15452	1	SQUEEGEE CONNECTION FRAME KIT	
K16	VS15453	1	SQUEEGEE BRACKET KIT	
K17	VS15374	1	BRUSH DISC PPL 0.7 BLACK 17IN KIT	
K17*	VS15338	1	BRUSH DISC GRIT 180 GRAY 17IN KIT	

Wear and Tear Parts

Pos.	Product no	QTY	Description	Notes
1	VS15132	1	RIGHT LEVER BRUSH SWITCH	
2	VS15131	1	LEFT LEVER BRUSH SWITCH	
3	VV81432	1	MICRO SWITCH	
4	VS15133	1	ADJUST LEVER HANDLE	
5	VS15192	1	GEAR	
6	VV60153	1	SWITCH RL2 P	
7	VS15386	1	CONNECTION ROD KIT	
8	VS15225	1	GASKET OF RECOVERY TANK LID	
9	VS15323	1	VACUUM GRID WITH AUTO SHUT-OFF FLOAT	
10	VS15400	1	DRAIN HOSE KIT	
11	VS15016	1	RECTIFIER 1000V 50A	
12	VS15418	1	CIRCUIT BREAKER 3A EU KIT	
12	VS15419	1	CIRCUIT BREAKER 4A US KIT	
13	VS15004	1	VACUUM MOTOR 110-120V 60HZ	
13	VS15005	1	VACUUM MOTOR 220-230V 50HZ	
14	VS15403	1	HOSE FRESH WATER LEVEL KIT	
15	VF89110A	1	KIT DRAIN WATER	
16	VS15415	1	SUCTION HOSE KIT	
17	VS15430	1	WHEEL 6 INCH	
18	VS15327	1	3.5 INCH CASTER	
19	VS15014	1	110V AC SOLENOID VALVE KIT	
19	VS15015	1	230V AC SOLENOID VALVE KIT	
20	VF90621	1	FILTER	
21	VS15204	1	BLADE REAR NATURAL RUBBER	
22	VS15160	1	BEND CONNECTOR	
23	VS15201	1	BLADE FRONT NATURAL RUBBER	
24	VS15159	1	SQUEEGEE KNOB	
25	VS15436	5	SQUEEGEE WHEEL KIT	
26	VS15437	1	SQUEEGEE SCREW KIT	
27	VS15253	1	HUB BRUSH GEAR MOTOR	
28	VS15001	1	BRUSH MOTOR 230V AC	
28	VS15000	1	BRUSH MOTOR 120V AC	



Pos.	Product no	QTY	Description	Notes
SW1	VV60153	1	SWITCH RL2 P	
SW2	VV60153	1	SWITCH RL2 P	
SW3	VV60153	1	SWITCH RL2 P	
SW4	VV81432	1	MICRO SWITCH	
F1	VS15033	1	CIRCUIT BREAKER 3A EU	
F1	VV81407	1	CIRCUIT BREAKER V 4A US	
F2	VS15033	1	CIRCUIT BREAKER 3A EU	
F2	VV81407	1	CIRCUIT BREAKER V 4A US	
M1	VS15001	1	BRUSH MOTOR 230V AC	
M1	VS15000	1	BRUSH MOTOR 120V AC	
EV	VS15015	1	230V AC SOLENOID VALVE KIT	
EV	VS15014	1	110V AC SOLENOID VALVE KIT	
M2	VS15005	1	VACUUM MOTOR 220-230V 50HZ	
M2	VS15004	1	VACUUM MOTOR 110-120V 60HZ	
RE	VS15016	1	RECTIFIER 1000V 50A	
