

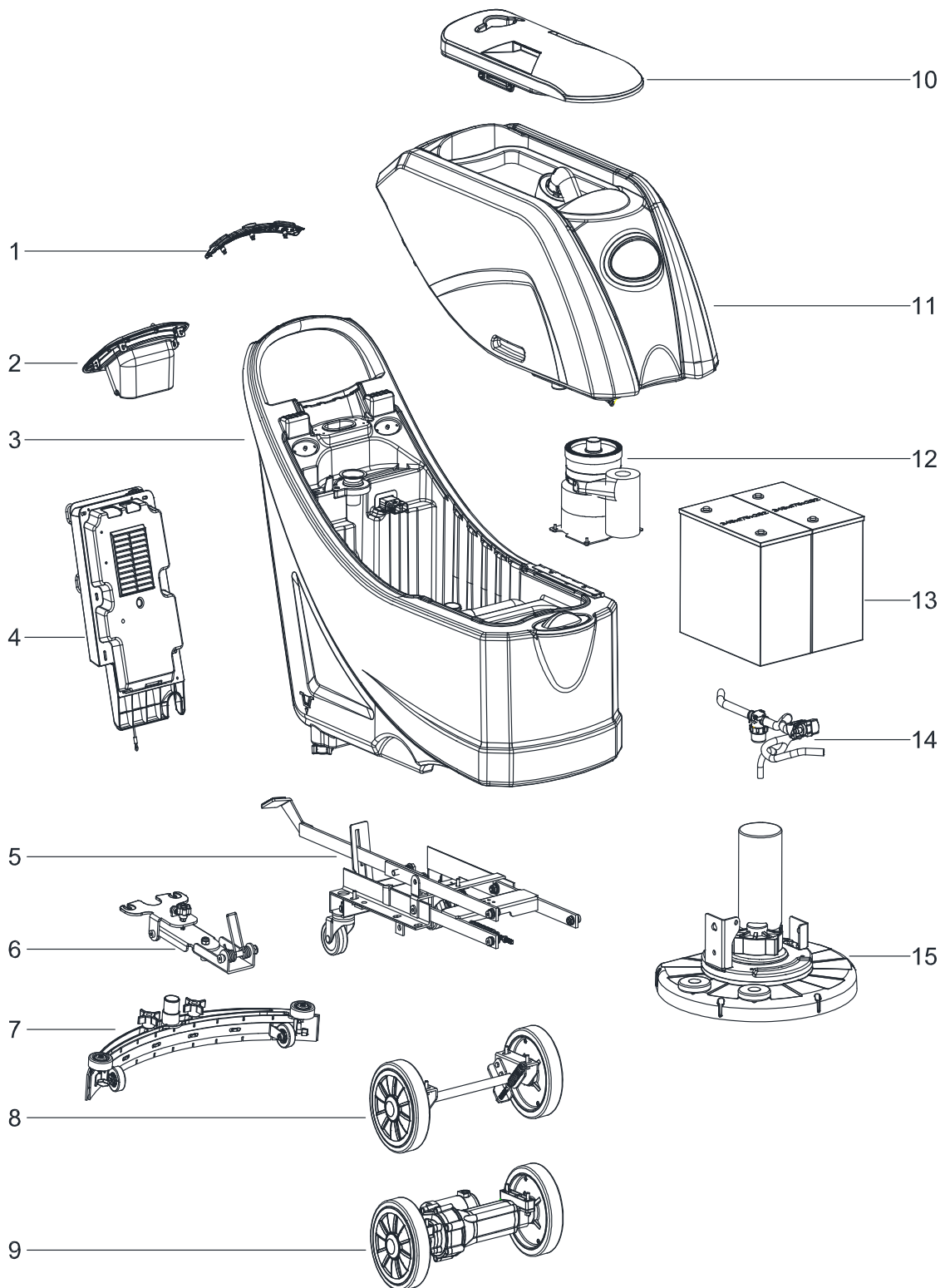
PARTS LIST



2023.07.17

TABLE OF CONTENTS

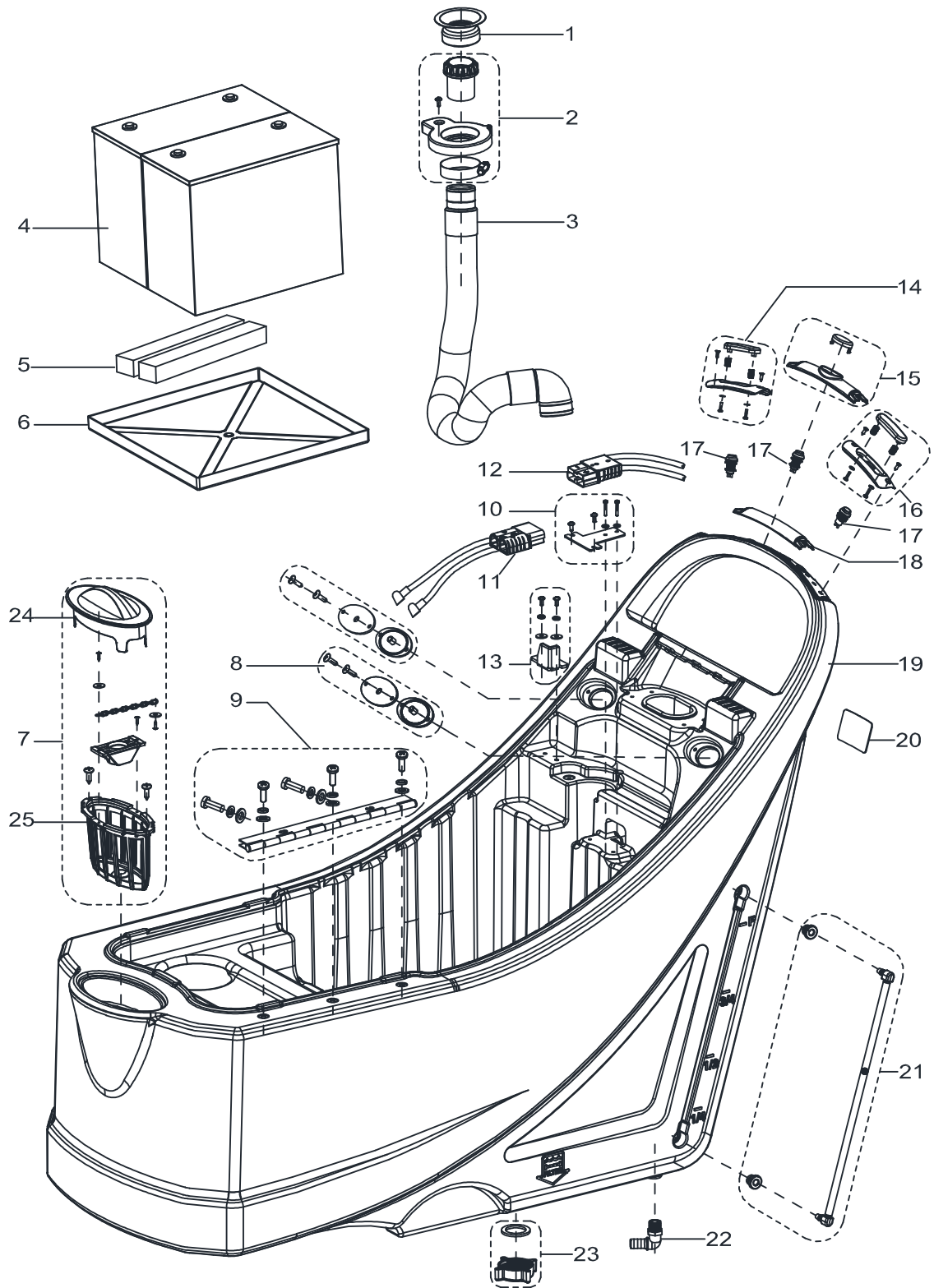
Overview	1
Solution tank	3
Recovery tank	5
Control system	7
Chassis	9
Wheels without traction	11
Solution system	13
Brush	15
Squeegee	17
WEAR AND TEAR PARTS	19
Wiring diagram (machine without traction)	21



Pos.	Product no	QTY	Description	Notes
1		1	SAFETY SWITCH ASSEMBLY WITHOUT TRACTION	[1]
2		1	CONTROL PANEL ASSEMBLY	[2]
3		1	SOLUTION TANK ASSEMBLY	[1]
4		1	CONTROL BOX ASSEMBLY	[2]
5		1	CHASSIS ASSEMBLY	[3]
6		1	SQUEEGEE HOLDER ASSEMBLY	[4]
7		1	20 INCH SQUEEGEE ASSEMBLY	[4]
8		1	WHEEL ASSEMBLY WITHOUT TRACTION	[5]
10		1	RECOVERY TANK LID ASSEMBLY	[6]
11		1	RECOVERY TANK ASSEMBLY	[6]
12		1	VACUUM MOTOR ASSEMBLY	[6]
13		1	BATTERIES	[1]
14		1	SOLUTION SYSTEM ASSEMBLY	[7]
15		1	BRUSH DECK ASSEMBLY	[8]

Part Notes:

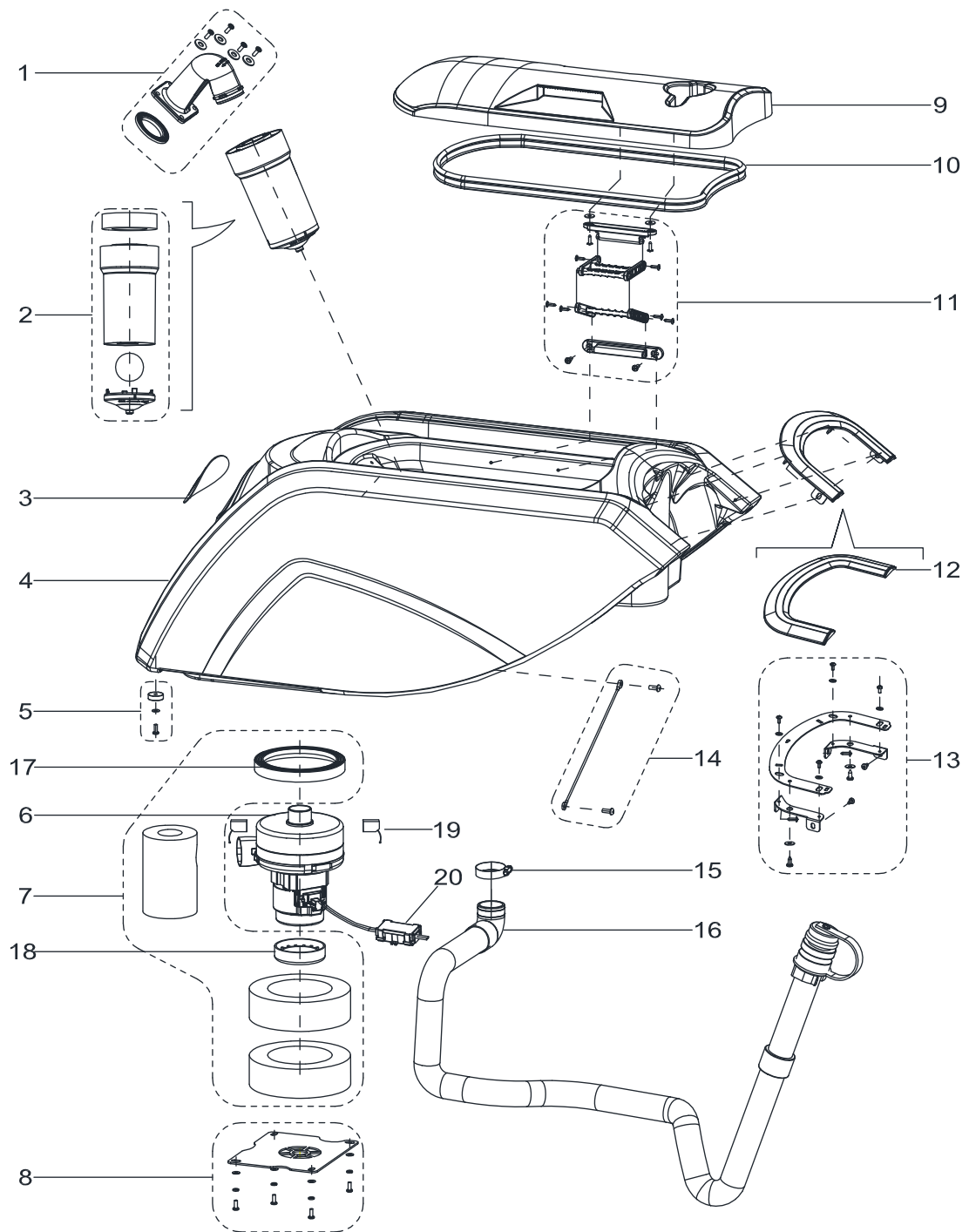
- [1] - Solution tank
- [2] - Control system
- [3] - Chassis
- [4] - Squeegee
- [5] - Wheels without traction
- [6] - Recovery tank
- [7] - Solution system
- [8] - Brush



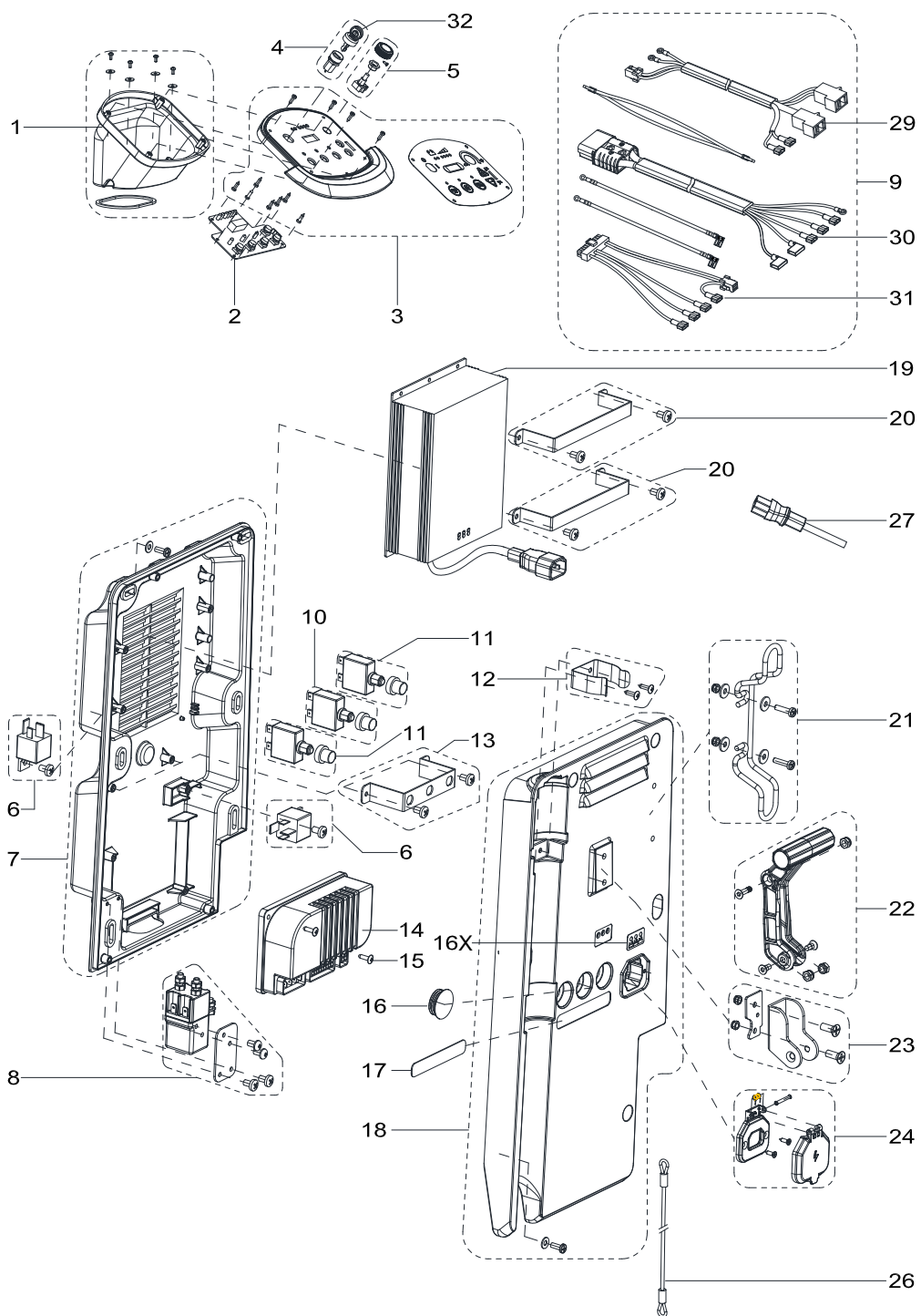
Pos.	Product no	QTY	Description	Notes
1	VS10603	1	GASKET-DRAIN HOSE	
2	VS10101	1	SUCTION CONNECTER FRAME KIT	
3	VS10601	1	SUCTION HOSE	
4		2	BATTERY 100-115Ah/20h AGM	
5	VF90533	2	BATTERY SPACER PANEL	
6	VS10329	1	TRAY BATTERY	
7	VS10102	1	FILTER COVER KIT	
8	VF90265	2	SEAL PLATE KIT	
9	VS10103	1	HINGE KIT	
10	VS10104	1	CHARGE PULG BRACKET KIT	
11	VS10206	1	BATTERY CONNECTIONS	
11	VS10236	1	BATTERY CONNECTIONS TPPL	[1]
12	VS10217	1	HARNESS CONNECTER WITHOUT TRACTION	
13	VS10105	1	FIXED BLOCK KIT	
14	VS10106	1	SAFETY SWITCH RIGHT KIT	[2]
16	VS10108	1	SAFETY SWITCH LEFT KIT	[2]
17	VS10202	3	SWITCH	[2]
18	VS10316	1	MIDDLE HANDLE COVER	
19	VS10303	1	SOLUTION TANK	
20		1	SERIAL NUMBER LABEL	
21	VS10109	1	WATER LEVEL PIPE KIT	
22	VF81403P	1	UNION ELBOW	
23	VF90536	1	COVER KIT WATER OUTLET	
24	VS10312	1	FILTER COVER	
25	VS10313	1	FILTER SUPPORT	

Part Notes:

- [1] - ONLY FOR TPPL BATTERY MACHINE
 [2] - TSB-FC-2019-038 drive switch SC530
 DE TSB-FC-2019-038 SC530 Fahrshalter



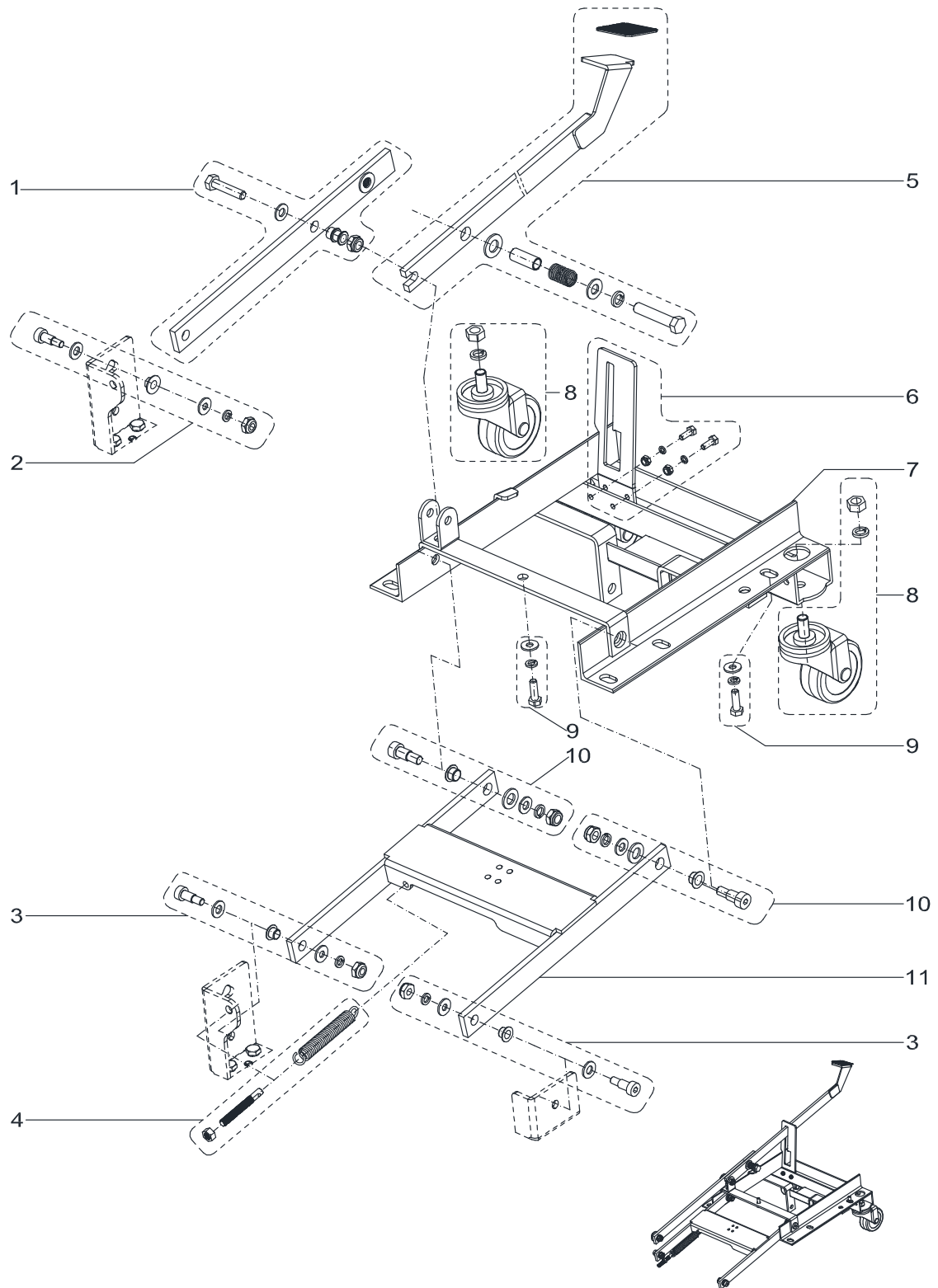
Pos.	Product no	QTY	Description	Notes
1	VS10110	1	ELBOW ADAPTOR KIT	
2	VF90534	1	FLOAT CAGE COMPLETE	
3	VF90011	1	LOGO LABEL	
4	VS10302	1	RECOVERY TANK	
5	VS10111	1	RUBBER GASKET KIT	
6	VF90520	1	VACUUM MOTOR	
7	VS10112	1	GASKET VACUUM MOTOR KIT	
8	VS10113	1	VACUUM MOTOR COVER KIT	
9	VS10301	1	RECOVERY TANK LID	
10	VF90504	1	GASKET	
11	VS10114	1	RETAINER-RECOVERY TANK LID	
12	VS10309	1	DECORATIVE PANEL	
13	VS10115	1	DECORATIVE PANEL BRACKET KIT	
14	VS10116	1	RECOVERY TANK CABLE KIT	
15	VA20304	1	CLAMP	
16	VS10602	1	DRAIN HOSE- DIA.38MM	
17	VA80770	1	GASKET	
18	VF90523	1	TOP GASKET OF VACUUM MOTOR	
19	VF90522	2	CARBON BRUSH FOR VACUUM MOTOR	
20	VR27100	1	WATERPROOF CASE	



Pos.	Product no	QTY	Description	Notes
1	VS10117	1	PCB BOX KIT	
2	VS10250	1	CONTROL PANEL BOARD	
3	VS10118	1	CONTROL PANEL NON-TRACTION	
4	9100001354	1	SWITCH IGNITION STARTER WITH CAP SIP	
6	VS10230	2	RELAY 24V KIT	
7	VS10121	1	CONTROL BOX BOTTOM KIT	
8	VS10231	1	ELECTROMAGNETIC SWITCH KIT	
9	VS10234	1	WIRE HARNESS KIT WITHOUT TRACTION	
11	VS10232	2	CIRCUIT BREAKER KIT	
12	VF90275	1	CLAMP DRAIN HOSE KIT	
13	VS10122	1	FIX BRACKET KIT	
15	VA80758	2	SCREW	
16	30010029	1	SEALING PLUG BIG	
16X	VF90004	1	LABEL BATTERY LEVEL	[1]
17	VS10002	1	RESET LABEL WITHOUT TRACTION	
18	VS10124	1	CONTROL BOX COVER KIT	
19	VS10240	1	BATTERY CHARGER 24V 10A	[1]
19	VR27040	1	CHARGER KIT 24V 10A EU	
19	VS10243	1	CHARGER 24V 10A CN	
19	VS13262	1	CHARGER 24V 13A	[2]
19		1	SHELF CHARGER KIT 24V 25A US	
20	VS10125	2	CHARGER FIX BRACKET KIT	
21	VF90280	1	CORD WRAP KIT	
22	VF90277	1	HANDLE LIFT KIT	
23	VF90276	1	HAND BRACKET KIT	
24	VS10126	1	CHARGER SOKET KIT	
26	VS10502	1	CABLE SQUEEGEE LIFT	
27	VF89724	1	CHARGER POWER CABLE US PLUG	
27	VF89725	1	CHARGER POWER CABLE EU PLUG	
27	VF89726	1	CHARGER POWER CABLE UK PLUG	[2]
27	VF89721	1	CHARGER POWER CABLE 2M CN PLUG	
29	VS10212	1	HARNESS BRUSH MOTER	
30	VS10217	1	HARNESS CONNECTER WITHOUT TRACTION	
31	VS10218	1	HARNESS CONTROL CIRCUIT WITHOUT TRACTION	
32	146 2887 000	1	KEY 2 PCS	
33	VF90004	1	LABEL BATTERY LEVEL	

Part Notes:

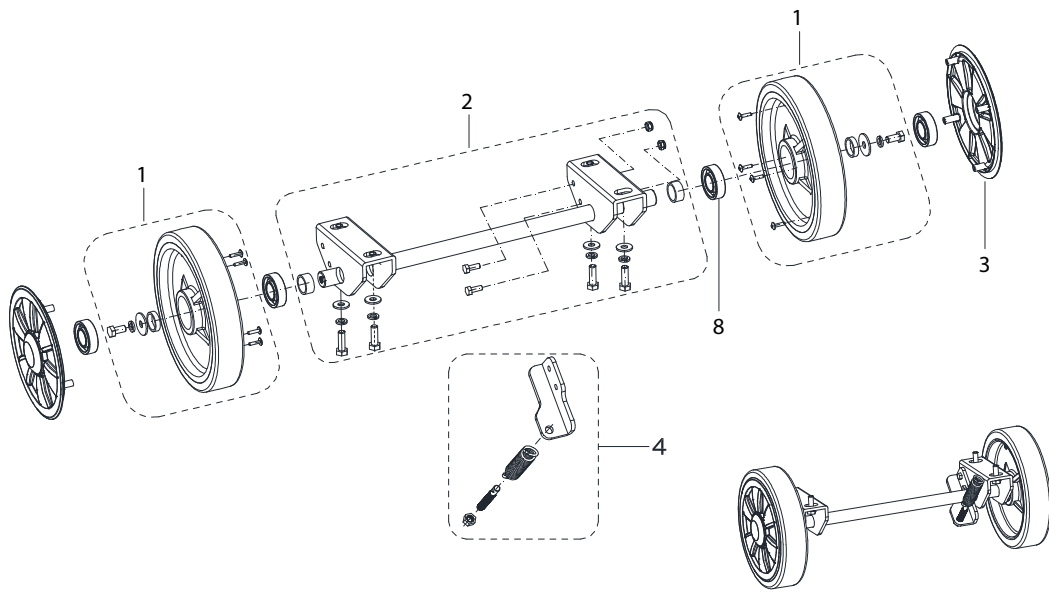
- [1] - US
[2] - Optional



Pos.	Product no	QTY	Description	Notes
1	VS10138	1	FORNT PEDAL BRUSH LIFTING KIT	
2	VS10134	1	SCREW KIT 1	
3	VS10136	2	SCREW KIT 3	
4	VS10139	1	SPRING KIT	
5	VS10140	1	BACK PEDAL BRUSH LIFTING KIT	
6	VS10141	1	PEDAL SUPPORT KIT	
7	VS10406	1	CHASSIS	
8	VS13757	2	3 INCH CASTER KIT	[1]
9	VS10135	1	SCREW KIT 2	
10	VS10137	2	SCREW KIT 4	
11	VS10404	1	BRUSH LIFTING SUPPORT	

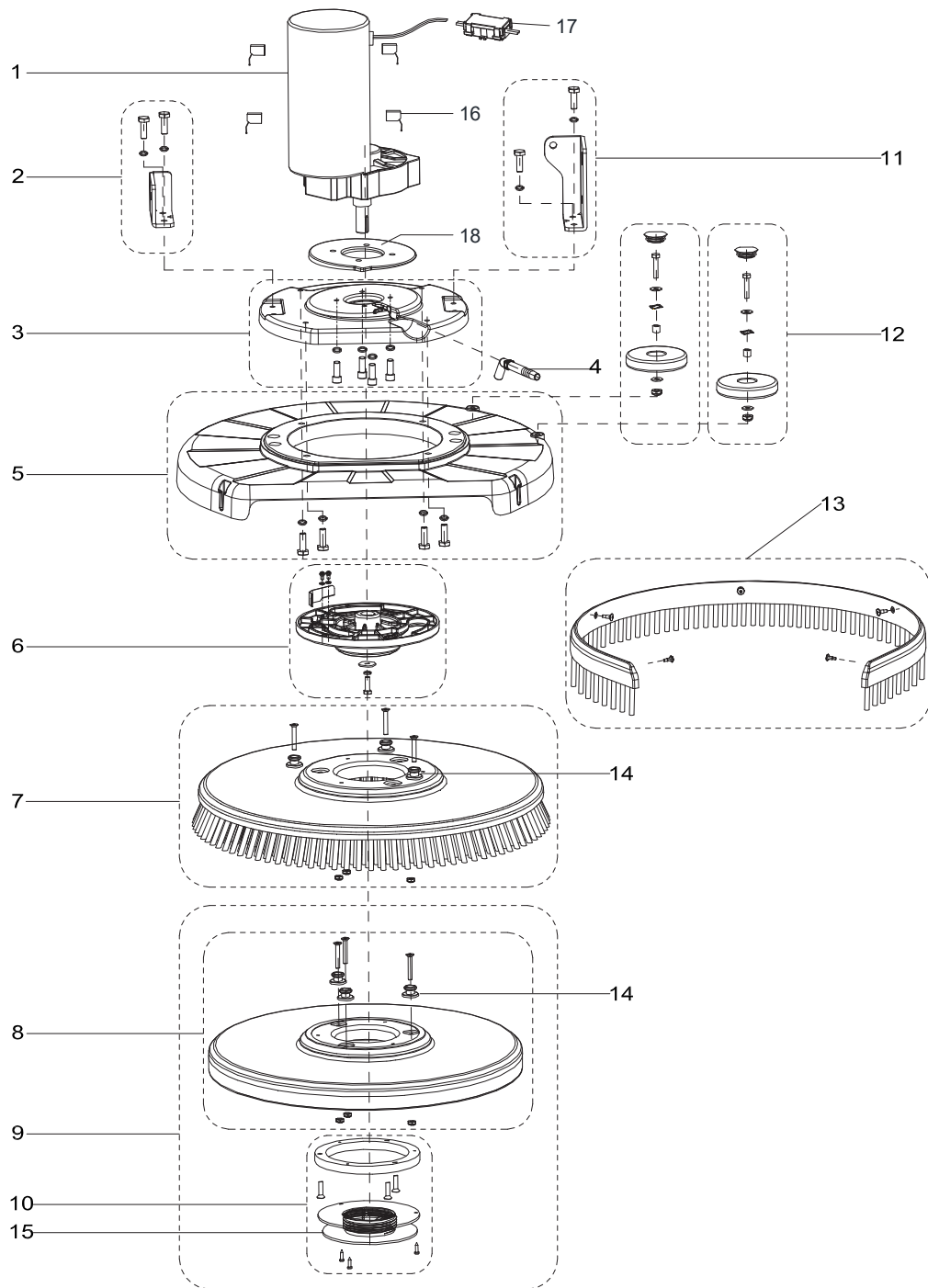
Part Notes:

[1] - TSB 2017-005 AS5160 caster improvement



Pos.	Product no	QTY	Description	Notes
1	VS10143	2	8INCH WHEEL KIT NON-TRACTION	
2	VS10144	1	WHEEL SHAFT FIXED PLATE KIT	
3	VS10330	4	WHEEL-COVER	
4	VS10145	1	SPRING KIT	
8	VF14075	4	BEARING 6004 2RS	

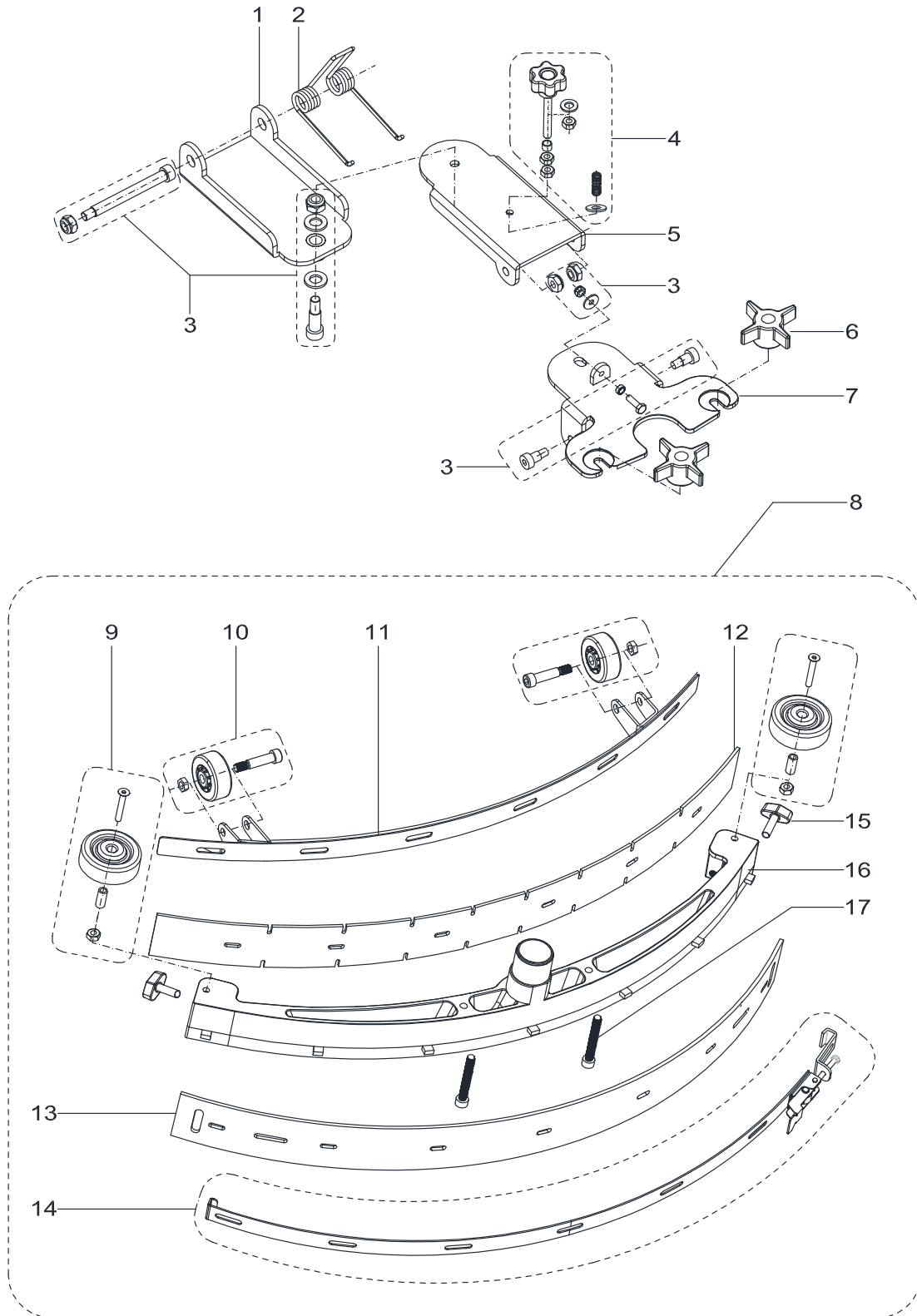
Pos.	Product no	QTY	Description	Notes
1	VF90621	1	FILTER	
2	VS10148	1	SCREW AND CLAMP KIT	
3	VF90282	1	SOLENOID VALVE KIT	
4	VS10149	1	TUBE KIT 750MM	



Pos.	Product no	QTY	Description	Notes
1	VS10702	1	BRUSH MOTOR KIT	
2	VS10132	1	SHORT CONNECTION PLATE KIT	
3	VS10128	1	MOTOR FIXING PLATE KIT	
4	VS10337	1	ELBOW	
5	VS10129	1	BRUSH DECK KIT	
6	VS10130	1	PLATE DRIVE KIT	
7	VF90417	1	BRUSH DISC 510MM 20 PPL	[1]
7	VF90471	1	20 INCH BRUSH PPL 0.9	
8	VF90416	1	PAD HOLDER 508MM 20	[2]
9	VF90454	1	PAD HOLDER RETAINER 508MM 20	[2]
10	VS10131	1	RETAINER PAD KIT	[3]
11	VS10127	1	LONG CONNECTION PLATE KIT	
12	VS10133	2	BUMPER ROLLER KIT	
13	VS10151	1	SPLASHGUARD KIT 510MM 20	[3]
14	VF90469	3	STUD FOR BRUSH AND PAD DRIVER	
15	VF99003A	1	BIG MOUTH PAD HOLDER LOCK	
16	VF89116	4	CARBON BRUSH KIT	
17	VR27100	1	WATERPROOF CASE	
18	VS11308	1	BALANCE BLOCK	[4]

Part Notes:

- [1] - TSB 2017-004 AS430 AS510 AS5160 bouncing and brush hub improvement
 [2] - Optional
 TSB 2017-004 AS430 AS510 AS5160 bouncing and brush hub improvement
 [3] - Optional
 [4] - ONLY FOR DISC MACHINE WITH TRACTION (AS5160T)



Pos.	Product no	QTY	Description	Notes
1	VS10401	1	FRONT SQUEEGEE SUPPORT	
2	VF82172	1	LOCK SPRING	
3	VS13711	1	HARDWARE SQUEEGEE SUPPORT KIT	
4	VF90141	1	KONB ADJUSTMENT KIT	
5	VF90110	1	BACK-SQUEEGEE-SUPPORT	
6	VF81210	2	THUMB NUT	
7	VF90109	1	SQUEEGEE-SUPPORT	
8	VF90135	1	20 SQUEEGEE KIT	
9	VF90137	2	ROLLER KIT BUMPER	
10	VF90136	2	SQUEEGEE GUIDE WHEEL	
11	VF90118	1	20INCH STRAP SQUEEGEE FRONT	
12	VF90119	1	BLADE SQUEEGEE FRONT GUM RUBBER 790MM 31	
12	VF90148	1	BLADE SQUEEGEE FRONT PU 790MM 31	[1]
13	VF90120	1	BLADE SQUEEGEE REAR GUM RUBBER 790MM 31	
13	VF90149	1	BLADE SQUEEGEE REAR PU 790MM 31	[1]
14	VF90139	1	20INCH STRAP SQUEEGEE BACK KIT	
15	VF85420	2	KNOB CT 476/30 S-P-M8X30 BP INOX / SS	
16	VF90117	1	SQUEEGEE 20	
17	VF90127	2	SQUEEGEE SCREW	

Part Notes:

[1] - Optional

WEAR AND TEAR PARTS

AS5160

2013.04.23

2019.08.15

Pos.	Product no	QTY	Description	Notes
1	VS10603	1	GASKET-DRAIN HOSE	
2	VS10601	1	SUCTION HOSE	
3	VS10102	1	FILTER COVER KIT	
4	VS10202	3	SWITCH	[1]
5	VS10109	1	WATER LEVEL PIPE KIT	
6	VF90536	1	COVER KIT WATER OUTLET	
7	VS10110	1	ELBOW ADAPTOR KIT	
8	VF90534	1	FLOAT CAGE COMPLETE	
9	VF90520	1	VACUUM MOTOR	
10	VF90504	1	GASKET	
11	VS10114	1	RETAINER-RECOVERY TANK LID	
12	VS10602	1	DRAIN HOSE- DIA.38MM	
13	VS10250	1	CONTROL PANEL BOARD	
14	9100001354	1	SWITCH IGNITION STARTER WITH CAP SIP	
15	VS10230	2	RELAY 24V KIT	
16	VS10231	1	ELECTROMAGNETIC SWITCH KIT	
17	VS10234	1	WIRE HARNESS KIT WITHOUT TRACTION	
19	VS10232	1	CIRCUIT BREAKER KIT	
21	VS10240	1	BATTERY CHARGER 24V 10A	
21	VS10243	1	CHARGER 24V 10A CN	
21	VR27040	1	CHARGER KIT 24V 10A EU	
23	VS10502	1	CABLE SQUEEGEE LIFT	
24	VS13757	2	3 INCH CASTER KIT	[2]
25	VS10143	2	8INCH WHEEL KIT NON-TRACTION	
28	VF90621	1	FILTER	
29	VF90282	1	SOLENOID VALVE KIT	
30	VS10702	1	BRUSH MOTOR KIT	
32	VS10337	1	ELBOW	
33	VF90417	1	BRUSH DISC 510MM 20 PPL	
35	VF90454	1	PAD HOLDER RETAINER 508MM 20	
36	VS10133	2	BUMPER ROLLER KIT	
37	VF90141	1	KONB ADJUSTMENT KIT	
38	VF81210	2	THUMB NUT	
39	VF90137	2	ROLLER KIT BUMPER	
40	VF90136	2	SQUEEGEE GUIDE WHEEL	
41	VF90119	1	BLADE SQUEEGEE FRONT GUM RUBBER 790MM 31	
42	VF90120	1	BLADE SQUEEGEE REAR GUM RUBBER 790MM 31	
43	VF85420	2	KNOB CT 476/30 S-P-M8X30 BP INOX / SS	

Part Notes:

- [1] - TSB-FC-2019-038 drive switch SC530
 [2] - TSB 2017-005 AS5160 caster improvement

Pos.	Product no	QTY	Description	Notes
BAT		1	24V BATTERIES	
CH	VR27041	1	CHARGER 24V 10A	
EB1	VS10203	1	CONTROL PANEL BOARD	
ES1	909 5127 000	1	SWITCH ELECTROMAGNETIC 24V D	
ES2	VS10201	1	RELAY 24V	
F1	VS13208	1	LOW POWER CIRCUIT FUSE	
F2	ZD48320	1	CIRCUIT BREAKER 30A	[1]
F3	VS13209	1	BRUSH RELEASE FUSE	
F5	ZD48320	1	CIRCUIT BREAKER 30A	
K1	9100001354	1	SWITCH IGNITION STARTER WITH CAP SIP	
M1	VS10702	1	BRUSH MOTOR KIT	
M2	VF90520	1	VACUUM MOTOR	
EV	VF90282	1	SOLENOID VALVE KIT	
SW1	VS10202	1	SWITCH	[2]
SW2	VS10202	1	SWITCH	[2]

Part Notes:

- [1] - TSB-FC-2019-025 brush circuit breaker
- [2] - TSB-FC-2019-038 drive switch SC530
DE TSB-FC-2019-038 SC530 Fahrschalter

