

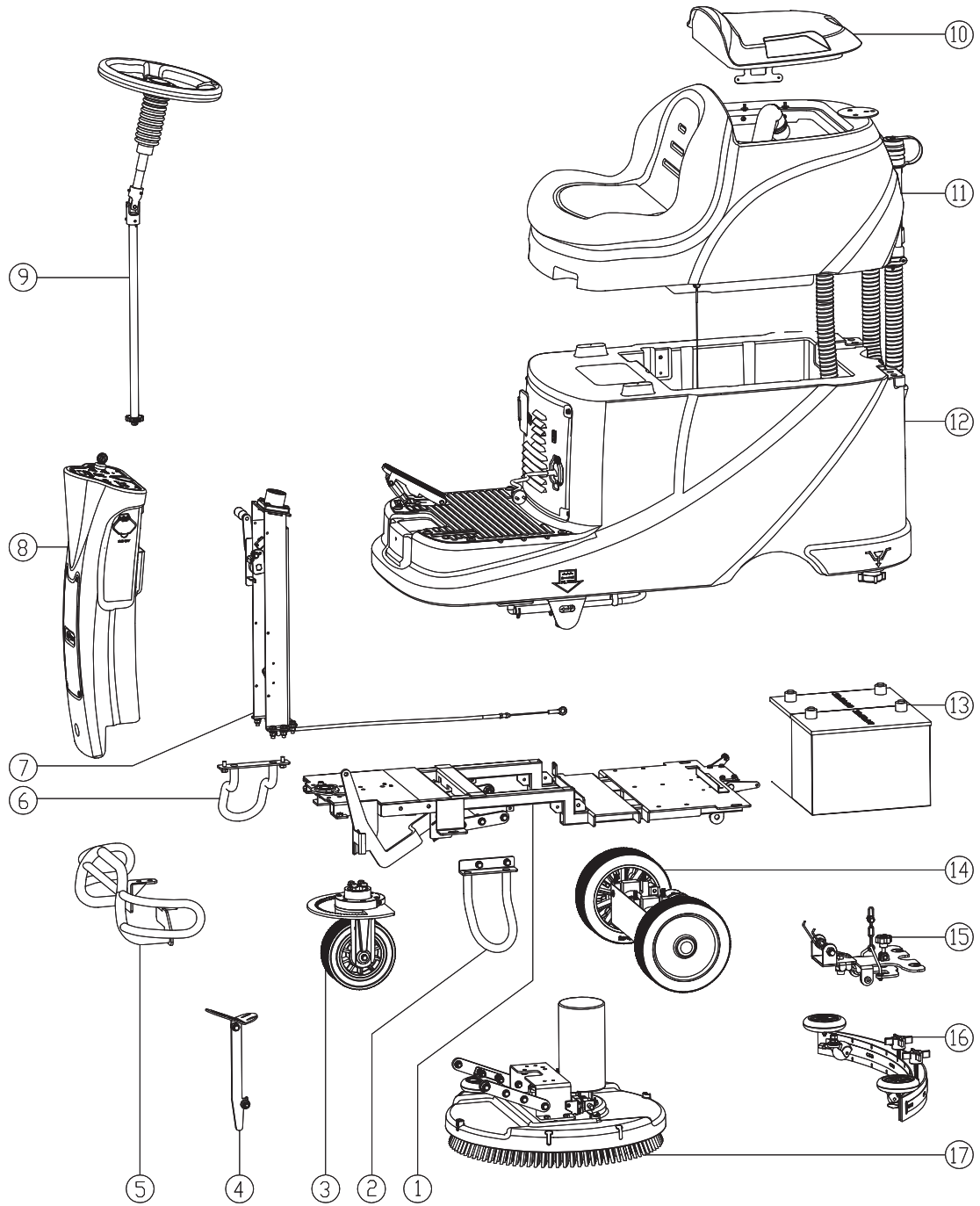
PARTS LIST



2023.09.28

TABLE OF CONTENTS

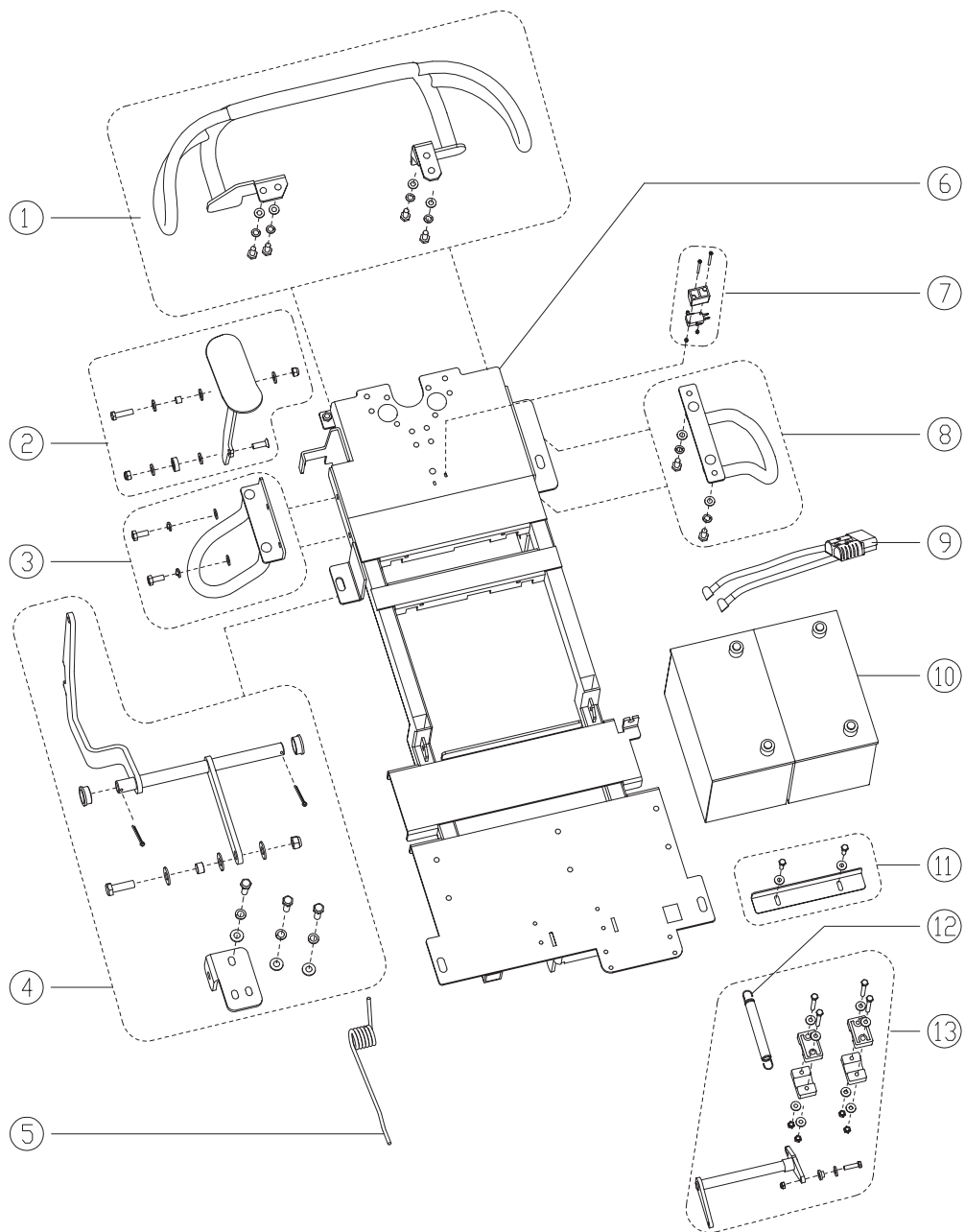
Overview	1
Chassis and bumper	3
Front wheel	5
Drive motor, Rear wheel	7
Direction control	9
Front main frame	11
Control housing	13
Brush	15
Solution tank	17
Electric parts	19
Recovery tank	21
Squeegee bracket	23
Squeegee	25
Electric parts - Cables	27
Electric parts - Cables 2	29
Speed control cable	31
Main connection cable	33
Wear and Tear Parts	35
Wiring diagram	37



Pos.	Product no	QTY	Description	Notes
1		1	CHASSIS ASSEMBLY	[1]
2		1	LEFT BUMPER ASSEMBLY	[1]
3		1	FRONT WHEEL ASSEMBLY	[2]
4		1	BRUSH LIFTING PEDAL ASSEMBLY	[1]
5		1	KIT FRONT BUMPER	[1]
6		1	RIGHT BUMPER ASSEMBLY	[1]
7		1	FRONT MAIN FRAME ASSEMBLY	[3]
8		1	FRONT HOUSING ASSEMBLY	[4]
9		1	DIRECTION CONTROL ASSEMBLY	[5]
10		1	RECOVERY TANK COVER ASSEMBLY	[6]
11		1	RECOVERY TANK ASSEMBLY	[6]
12		1	SOLUTION TANK ASSEMBLY	[7]
13		1	BATTERIES	
14		1	DRIVE MOTOR AND REAR WHEEL ASSEMBLY	[8]
15		1	SQUEEGEE BRACKET ASSEMBLY	[9]
16		1	SQUEEGEE ASSEMBLY	[10]
17		1	BRUSH ASSEMBLY	[11]

Part Notes:

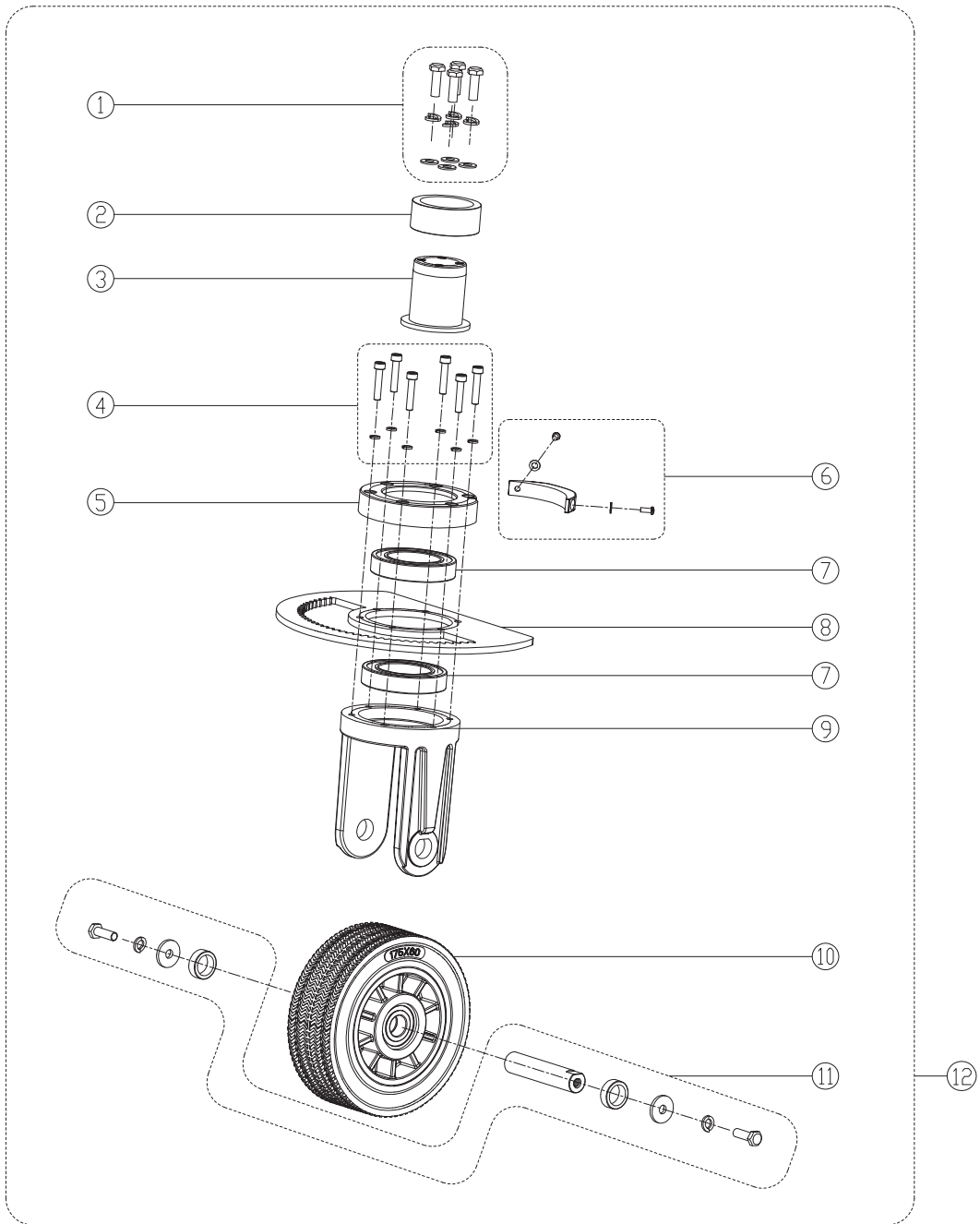
- [1] - Chassis and bumper
- [2] - Front wheel
- [3] - Front main frame
- [4] - Control housing
- [5] - Direction control
- [6] - Recovery tank
- [7] - Solution tank
- [8] - Drive motor, Rear wheel
- [9] - Squeegee bracket
- [10] - Squeegee
- [11] - Brush



Pos.	Product no	QTY	Description	Notes
1	VR23055	1	FRONT BUMPER KIT	
2	VR25017	1	BRUSH LIFT PEDAL KIT	
3	VR23056	1	LEFT BUMPER KIT	
4	VR25016	1	ROTARY BRACKET KIT	
5	VR25027	1	SPRING	[1]
6	VR23000	1	CHASSIS	
7	VR23057	1	MICROSWITCH KIT	
8	VR23058	1	RIGHT BUMPER KIT	
9	VS10236	1	BATTERY CONNECTIONS TPPL	[2]
9	VS10206	1	BATTERY CONNECTIONS	
10		1	Batteries	
11	VR23060	1	BATTERY BRACKET KIT	
12	VR11003	1	SQUEEGEE LIFT RESTORATION SPRING	
13	VR23059	1	SQUEEGEE LIFT BRACKET KIT	

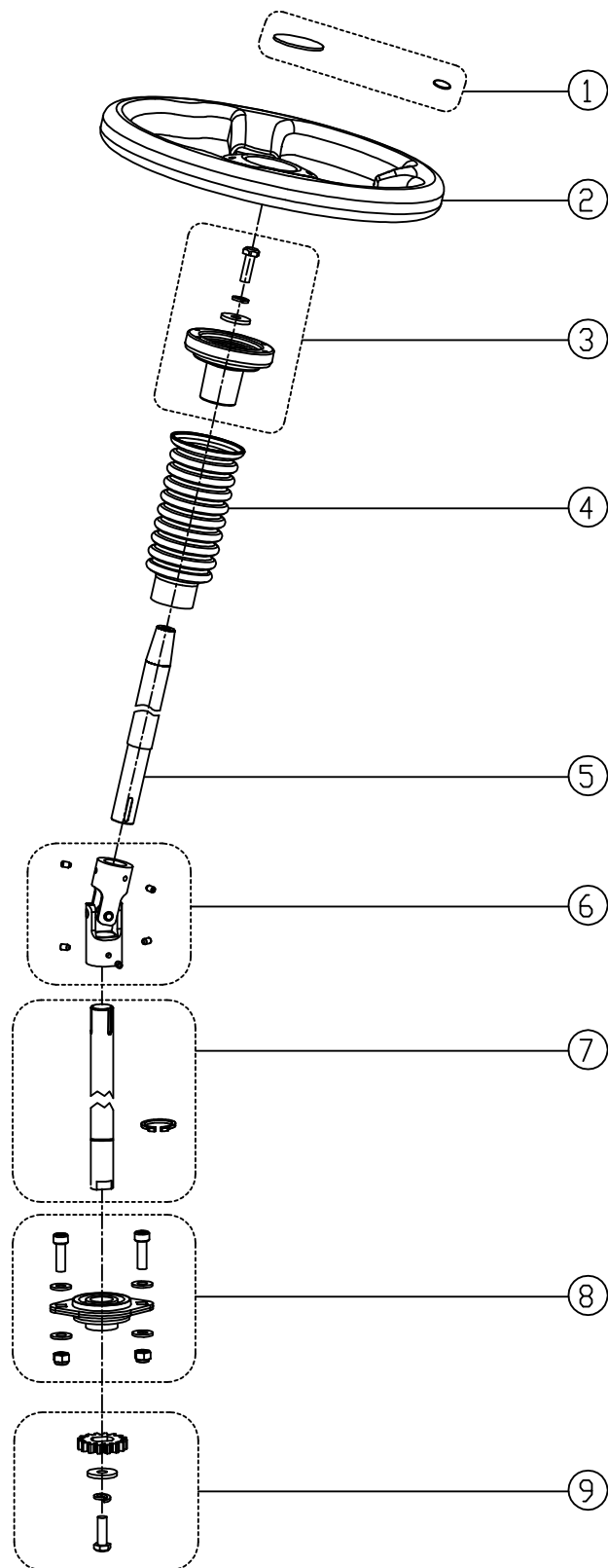
Part Notes:

- [1] - ONLY FOR AS530R-US AS STANDARD
OPTIONAL FOR OTHER COUNTRY.
- [2] - Only for TPPL Battery machines

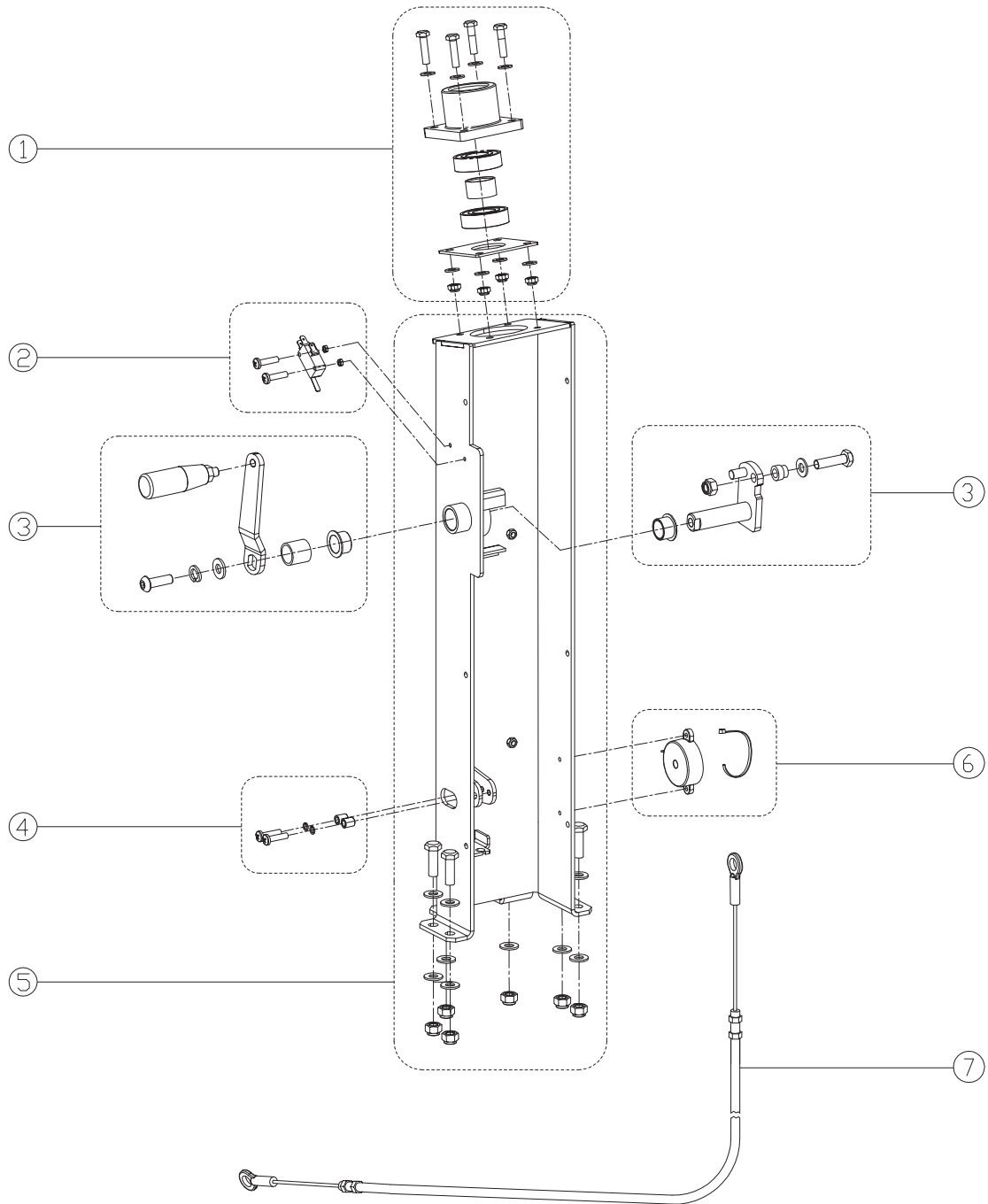


Pos.	Product no	QTY	Description	Notes
1	VR23061	1	KIT HARDWARE FIXED PILLARS	
2	VR23036	1	FRONT WHEEL WASHER	
3	VR23035	1	FRONT WHEEL FIXED PILLARS	
4	VR23062	1	KIT HARDWARE FRONT WHEEL BRACKET	
5	VR23039	1	FIXED BEARING RING	
6	VR23047	1	KIT CONTACTOR	
7	VR23037	2	BEARING	
8	VR23034	1	BIG GEAR	
9	VR23031	1	FRONT WHEEL BRACKET	
10	VR23030	1	FRONT WHEEL	
11	VR23054	1	KIT WHEEL FIXED	
12	VR23043	1	FRONT WHEEL ASSEMBLY	

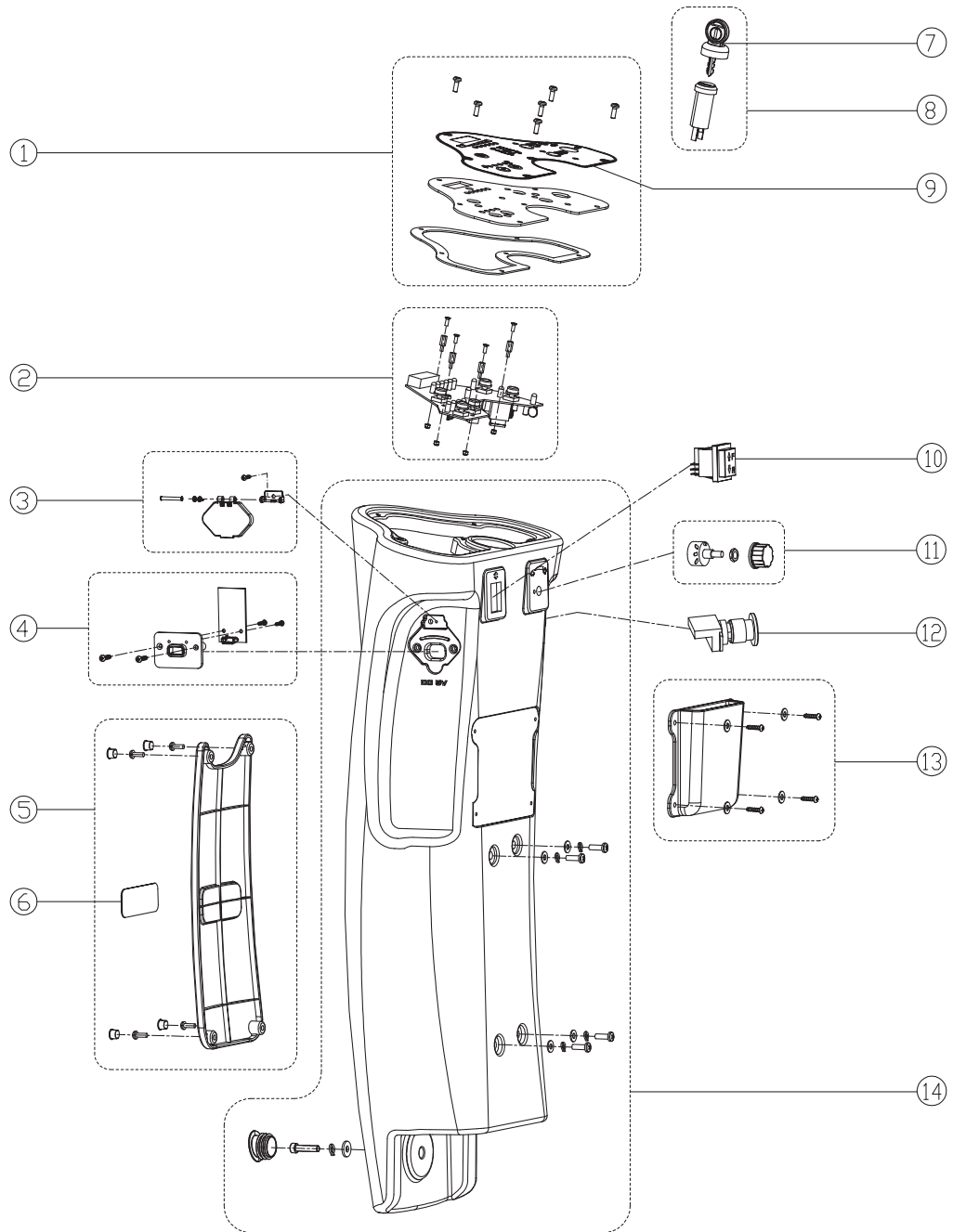
Pos.	Product no	QTY	Description	Notes
1	VR23029	2	REAR WHEEL	
2	VR23048	1	KIT HOOK BLOCK	
3	VR27022	1	MOTOR SHAFT LONG	
4	VR27025	1	KIT MOTOR BRAKE	
5	VR27024	2	CARBON BRUSH	
6	VR27020	1	MOTOR TRACTION	
7	VR23049	1	KIT MOTOR TRACTION	
8	VR27023	1	MOTOR SHAFT SHORT	
9	VF14075	3	BEARING 6004 2RS	
10	VR23050	3	KIT TRACTION MOUNT	
11	VR27100	1	WATERPROOF CASE	
12	VR23053	1	KIT REAR WHEEL FIXED	
13	VR23051	1	KIT WATERPROOF BOARD	
14	VR23044	1	DRIVE MOTOR AND REAR WHEEL ASSEMBLY	



Pos.	Product no	QTY	Description	Notes
1	VR24084	1	KIT STEERING WHEEL LOGO	
2	VR10016	1	STEERING WHEEL	
3	VR10039	1	KIT STEERING WHEEL LOCK	
4	VR24011	1	RUBBER SLEEVE STEERING WHEEL	
5	VR24010	1	UP SHAFT STEERING WHEEL	
6	VR10040	1	KIT UNIVERSAL JOINT	
7	VR24029	1	DOWN SHAFT STEERING WHEEL	
7	VR24090	1	KIT DOWN SHAFT STEERING WHEEL	
8	VR24087	1	KIT BEARING WITH BRACKET	
9	VR24086	1	KIT GEAR	



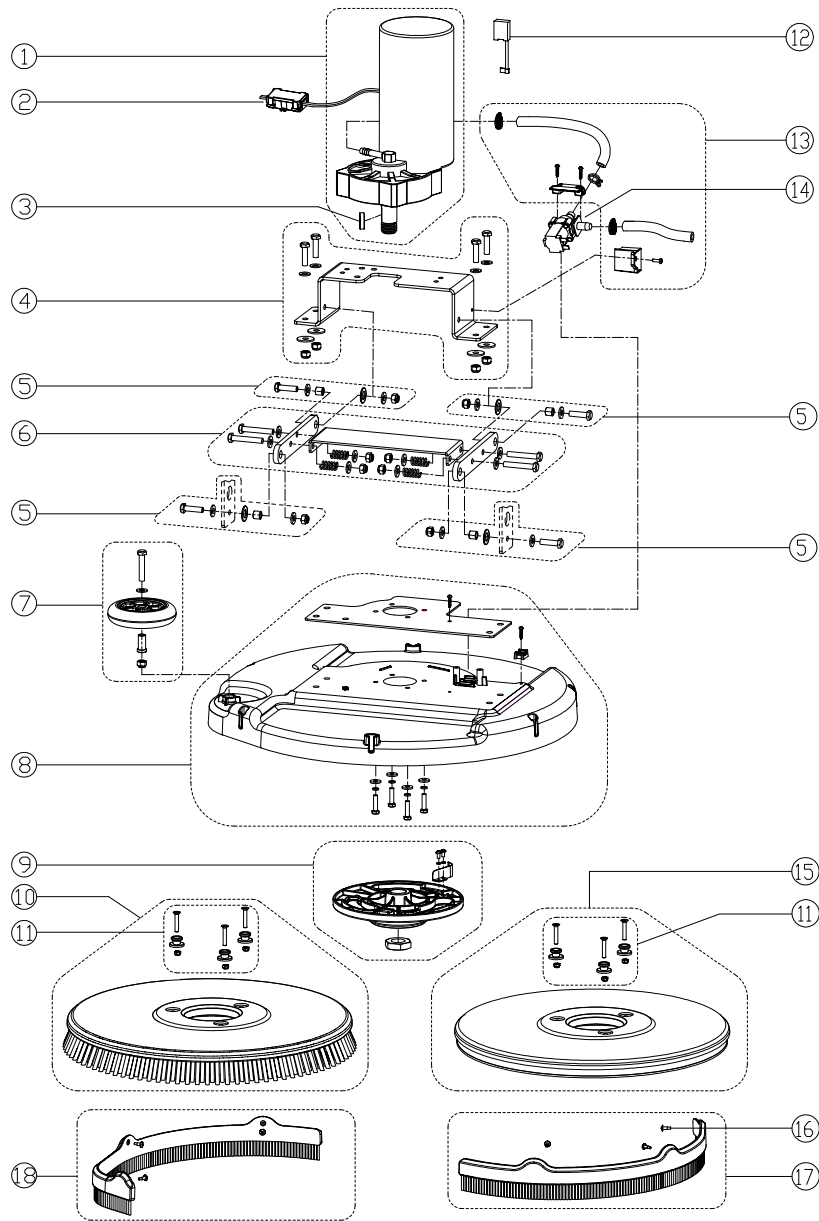
Pos.	Product no	QTY	Description	Notes
1	VR24071	1	KIT BEARING BASE	
2	VR24072	1	KIT SQUEEGEE SWITCH	
3	VR24073	1	KIT HANDLE SQUEEGEE LIFT	
4	VR24074	1	KIT CABLE GUIDE WHEEL SQUEEGEE LIFT	
5	VR24075	1	KIT FRONT FRAME	
6	VR24076	1	KIT HORN	
7	VR24021	1	CABLE SQUEEGEE LIFT	



Pos.	Product no	QTY	Description	Notes
1	VR24077	1	KIT CONTROL PANEL	
2	VR24078	1	KIT CONTROL PCB	
2	VR24089	1	KIT CONTROL PCB US VERSION	[1]
3	VR15200	1	KIT USB COVER	
4	VR24080	1	KIT USB PCB	
5	VR24081	1	KIT CONTROL HOUSING COVER	
6	VR24022	1	LOGO LABEL	
7	146 2887 000	1	KEY 2 PCS	
8	9100001354	1	SWITCH IGNITION STARTER WITH CAP SIP	
9	VR24001	1	CONTROL PANEL DECAL	
10	VR15110	1	FORWARD OR REVERSE BUTTON	
11	VR24079	1	SPEED POTENTIOMETER	
12	VR27172	1	EMERGENCY-STOP BUTTON	
13	VR24082	1	KIT PHONE STORAGE	
14	VR24083	1	KIT CONTROL HOUSING	

Part Notes:

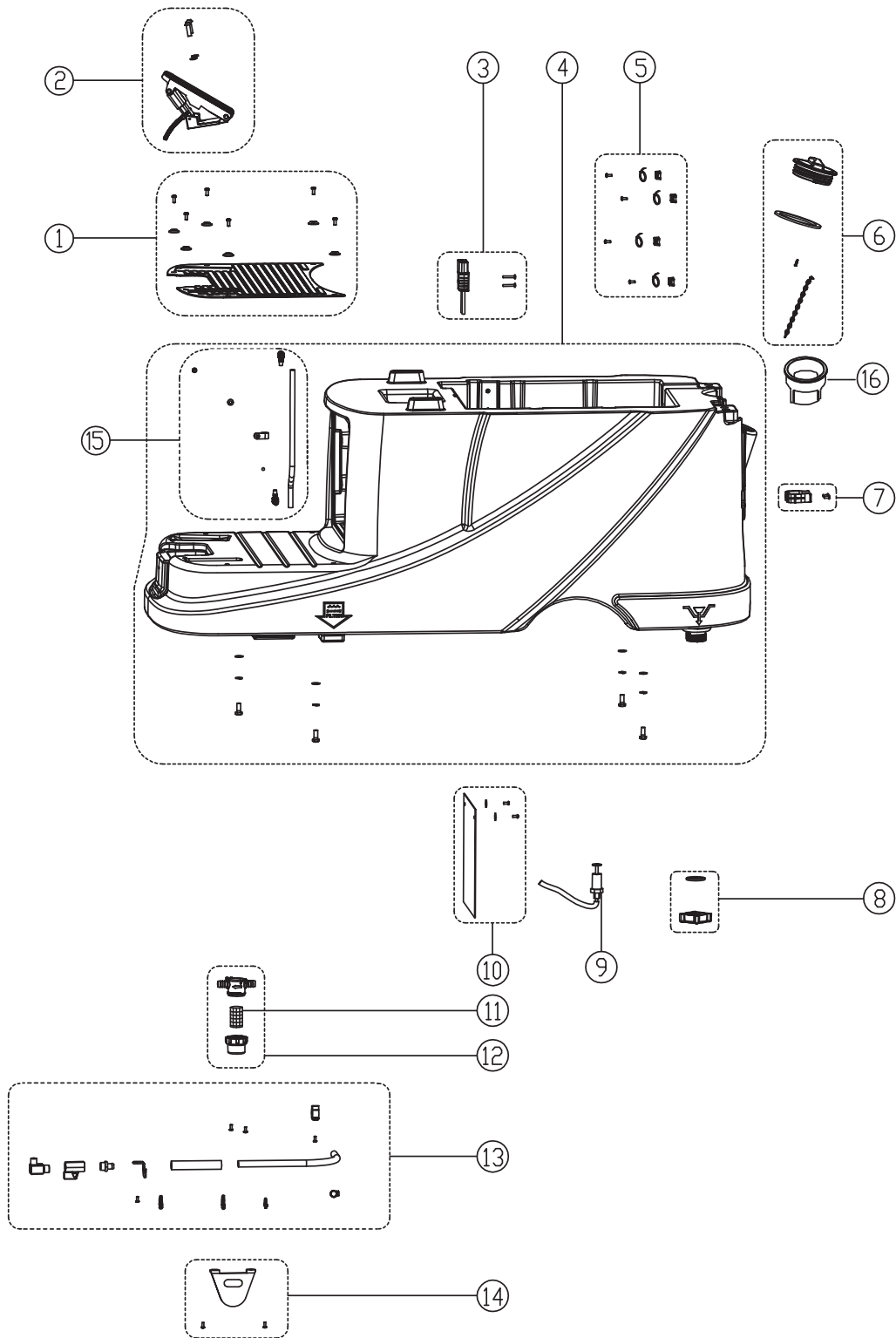
[1] - US



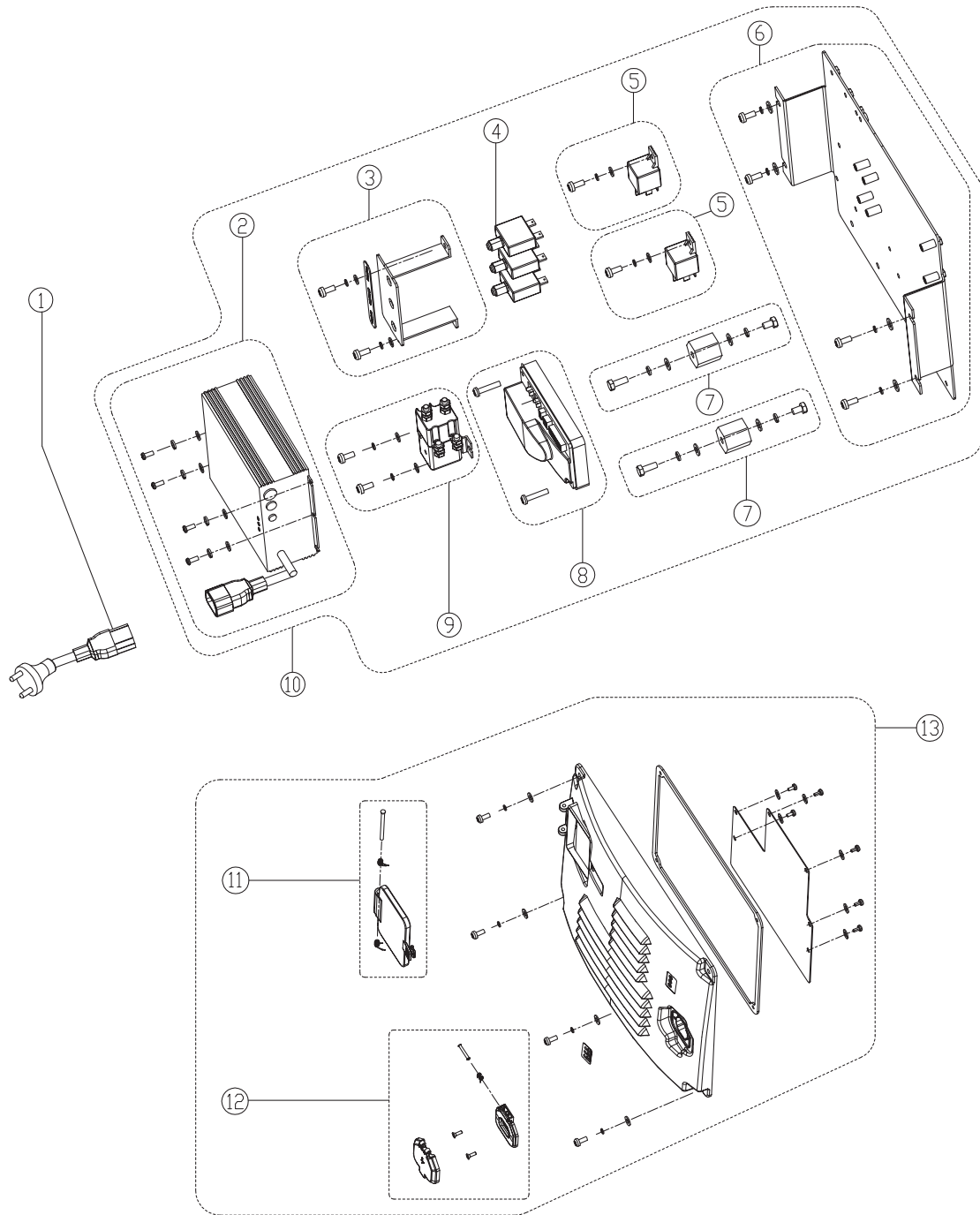
Pos.	Product no	QTY	Description	Notes
1	VR27010	1	KIT BRUSH MOTOR	
2	VR27100	1	WATERPROOF CASE	
3	VR25013	1	SHAFT KEY	
4	VR25041	1	KIT BRUSH LIFT PLATE	
5	VR25042	1	KIT BRUSH LIFT ARM CONNECTION	
6	VR25043	1	KIT BRUSH LIFT ARM	
7	VR25044	1	KIT BUMPER WHEEL	
8	VR25045	1	KIT BRUSH DECK	
9	VR25046	1	KIT PLATE DRIVE	
10	VR25014	1	BRUSH DISC 510MM 20 PPL	
11	VR25048	1	KIT BRUSH SREW	
12	VF89116	4	CARBON BRUSH KIT	
13	VR25047	1	KIT SOLENOID VALVE	
14	VR25030	1	SOLENOID VALVE	
15	VR25022	1	PAD HOLDER RETAINER 508MM 20	[1]
16	VS10516	6	STEP SCREW	
17	VR25026	1	SKIRT KIT LEFT AS530R	[1]
18	VR25025	1	SKIRT KIT RIGHT AS530R	[1]

Part Notes:

- [1] - OPTIONAL
FOR EU AND UK



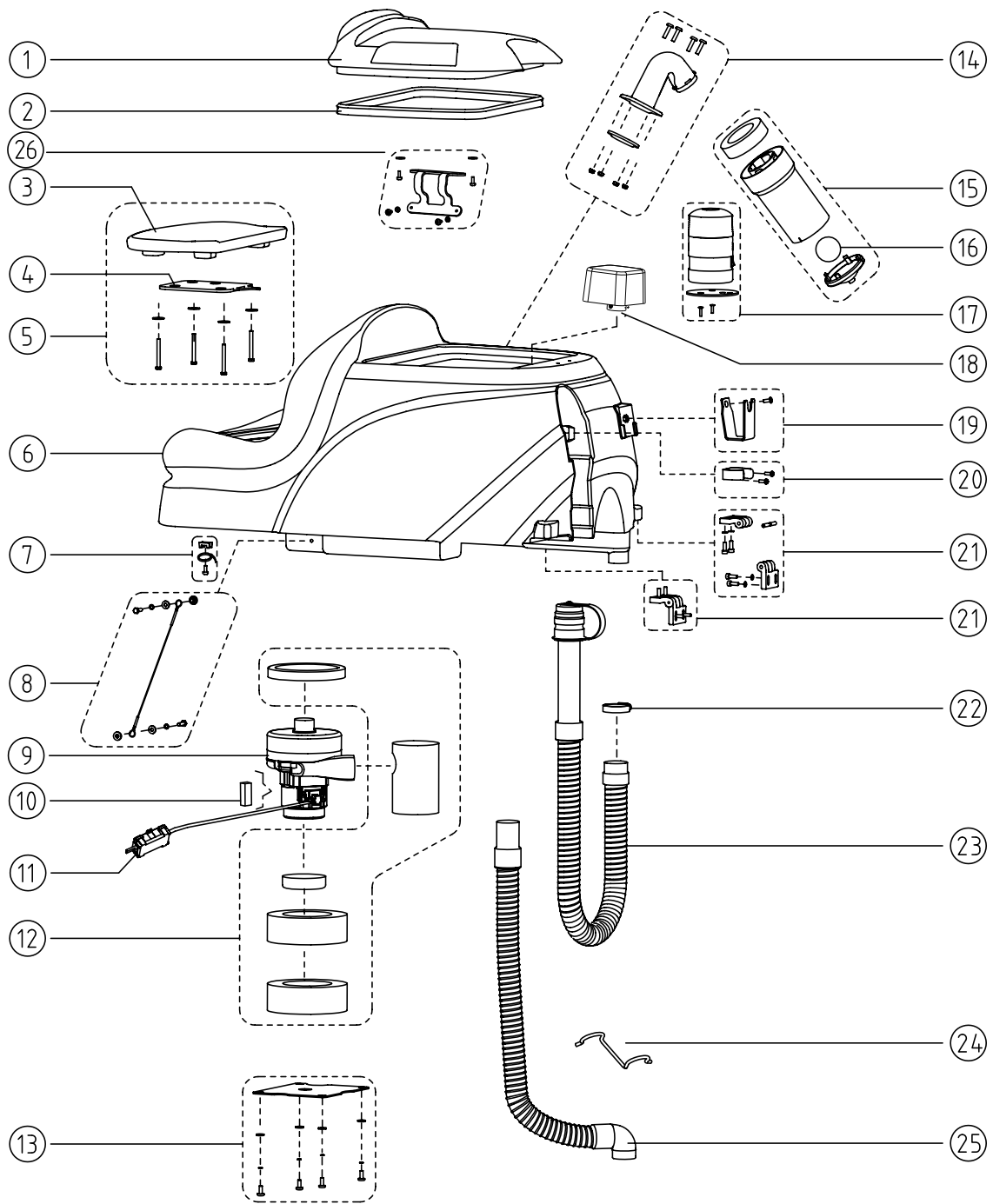
Pos.	Product no	QTY	Description	Notes
1	VR21021	1	KIT ANTI-SKID PLATE	
2	VR21022	1	KIT SPEED CONTROL PEDAL	
3	VR21037	1	KIT INPUT CONNECTION CABLE	
4	VR21038	1	KIT SOLUTION TANK	
5	VR21039	1	KIT WIRE CLAMP	
6	VR21023	1	KIT SOLUTION COVER	
7	VR21040	1	KIT HOSE CLAMP	
8	VF90536	1	COVER KIT WATER OUTLET	
9	VR13430	1	SWITCH SOLUTION TANK WATER LEVEL	
10	VR21041	1	KIT WATERPROOF BOARD	
11	VF90608	1	FILTER NET	
12	VF90621	1	FILTER	
13	VR21042	1	HOSE ADAPTOR	
14	VR21043	1	KIT FILTER PROTECTION	
15	55941073	1	WATER LEVEL KIT	
16	VF46454	1	FILTER INTAKE TANK	



Pos.	Product no	QTY	Description	Notes
1	VF89725	1	CHARGER POWER CABLE EU PLUG	[1]
1	VF89724	1	CHARGER POWER CABLE US PLUG	[1]
1	VF89726	1	CHARGER POWER CABLE UK PLUG	[1]
2	VR21057	1	KIT CHARGER US VERSION	[1]
2A		1	SHELF CHARGER KIT 24V 25A US	[2]
2	VR21053	1	KIT CHARGER	[1]
3	VR21044	1	KIT FIX BRACKET	
4	ZD48320	3	CIRCUIT BREAKER 30A	[3]
5	VR21045	2	KIT RELAY	
6	VR21046	1	KIT ELECTRIC PARTS MOUNTING PLATE	
7	VR21047	2	KIT CONNECT WIRE POLE	
8	VR21048	1	KIT DRIVE MOTOR CONTROL	
9	VR21049	1	KIT CONTACTOR	
10	VR21002	1	KIT ELECTRIC PARTS MOUNTING PLATE	
10	VR21060	1	KIT ELECTRIC PARTS MOUNTING PLATE KOREA	[4]
11	VR13120	1	KIT TRANSPARENT LID	
12	VS10126	1	CHARGER SOKET KIT	
13	VR21005	1	LID KIT ELECTRIC BOX	

Part Notes:

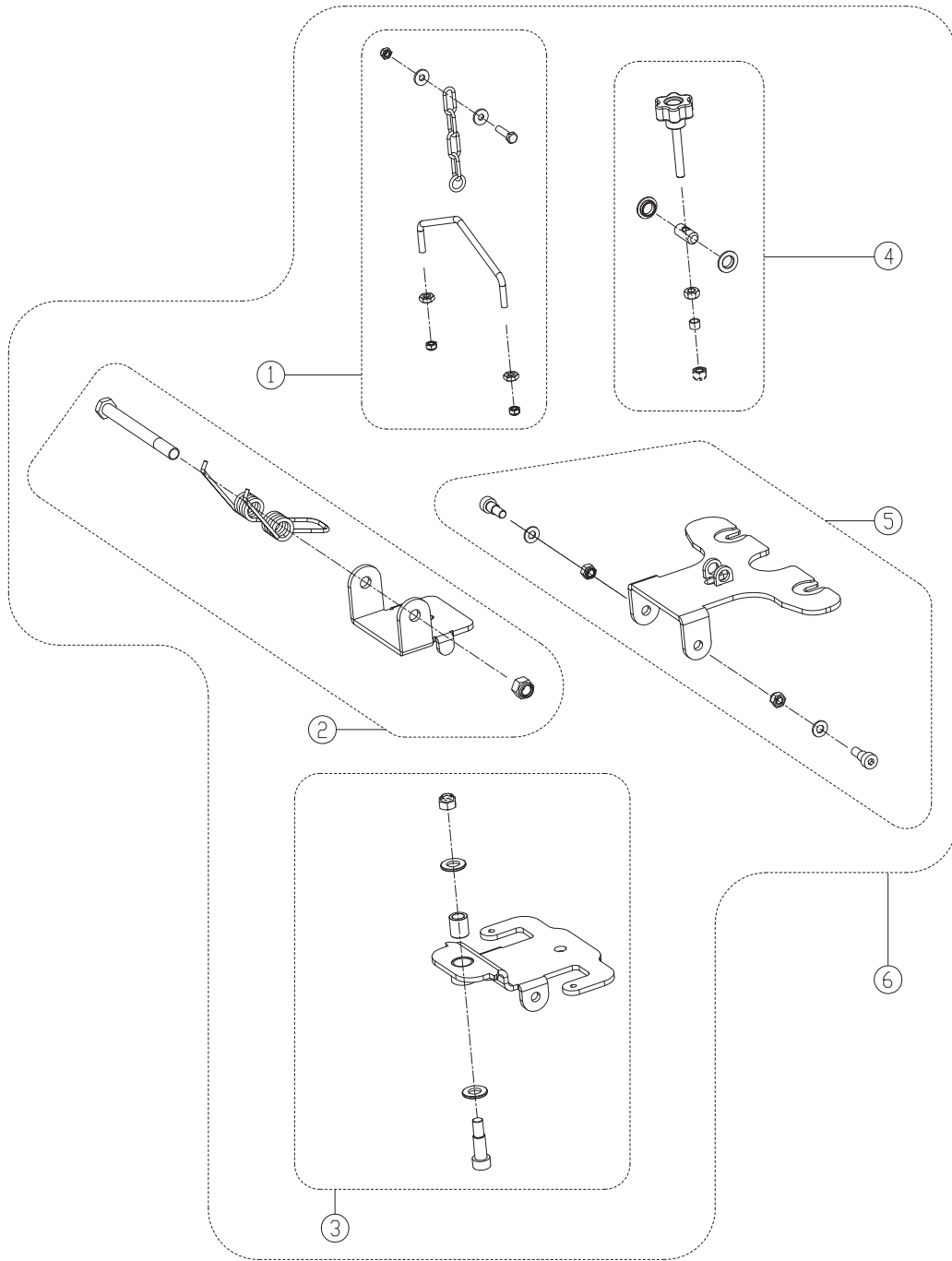
- [1] - Item No.1 and No.2 NOT FOR KOREA
- [2] - ONLY FOR TPPL BATTERY MACHINE
- [3] - TSB-FC-2019-025 brush circuit breaker
- [4] - (KOREA)



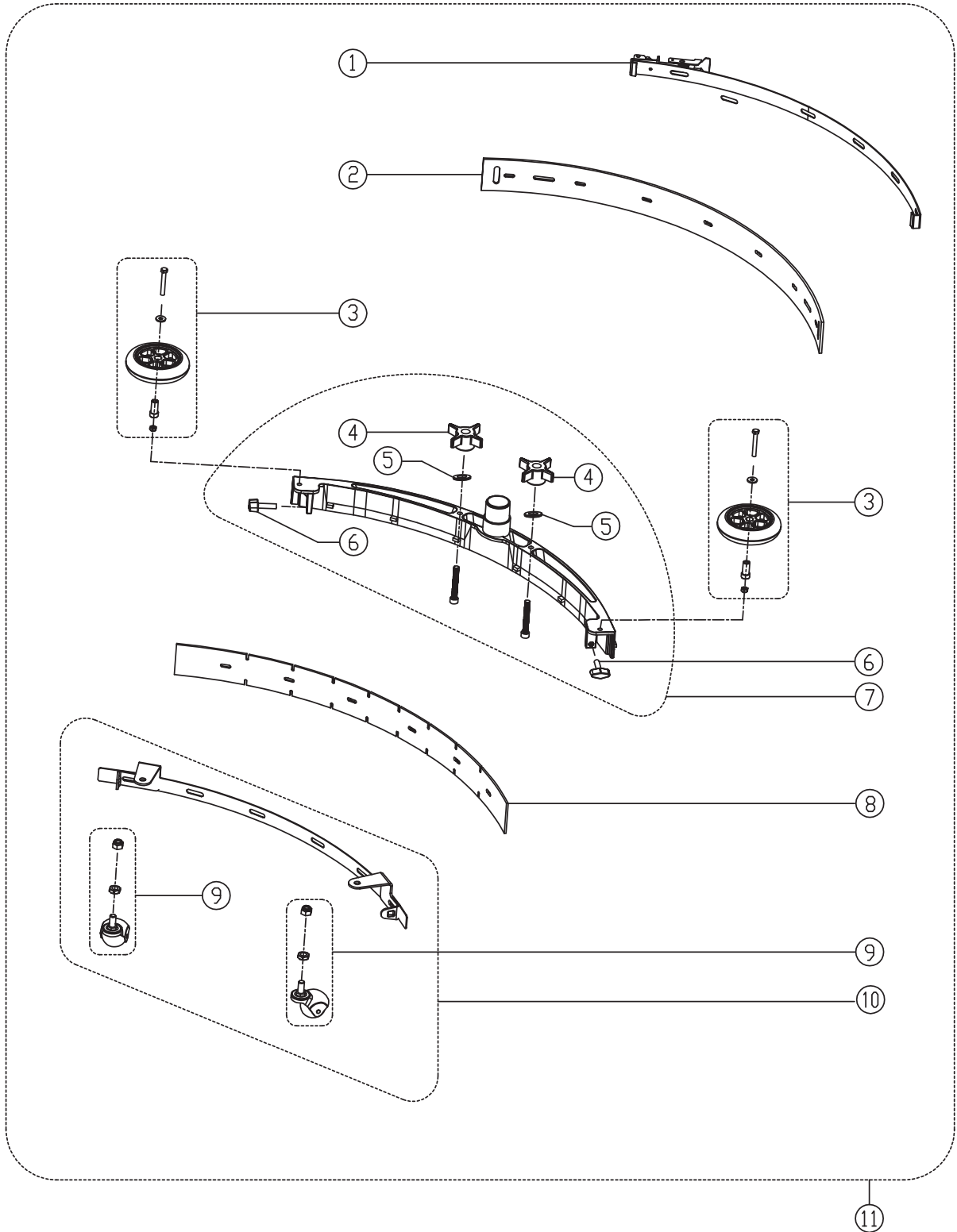
Pos.	Product no	QTY	Description	Notes
1	VR22001	1	RECOVERY TANK COVER	
2	VR22002	1	GASKET	
3	VR22011	1	CUSHION	[1]
4	VR27012	1	CUSHION SWITCH KIT	[1]
5	VR22013	1	CUSHION KIT	[1]
6	VR22003	1	RECOVERY TANK	
7	VR22015	1	CABLE CLAMP	
8	VR22016	1	RECOVERY TANK PULL CABLE KIT	
9	VF90520	2	VACUUM MOTOR	
10	VF90522	1	CARBON BRUSH FOR VACUUM MOTOR	
11	VR27100	1	WATERPROOF CASE	
12	VS10112	1	GASKET VACUUM MOTOR KIT	
13	VS10113	1	VACUUM MOTOR COVER KIT	
14	VS10110	1	ELBOW ADAPTOR KIT	
15	VF90534	1	FLOAT CAGE COMPLETE	
16	VR22019	1	FLOAT	
17	VR17160	1	KIT WARNING LIGHT	[2]
18	VR22021	1	DRAIN COVER	
19	VR17605	1	KIT SQUEEGEE HOOK	
20	VR22017	1	CLAMP DRAIN HOSE KIT	
21	VR22018	2	HINGE KIT	
22	VA20304	1	CLAMP	
23	VR22006	1	DRAIN HOSE	
24	VF83150	1	CLAMPHOSE	
25	VF84223	1	HOSE Ø52X1420MM	
26	VR22012	1	CONNECTION FRAME KIT	[3]

Part Notes:

- [1] - TSB 2017-006 VIPER AS530R safety seat switch contact improvement
- [2] - OPTIONAL
- [3] - PRUNED - NO REPLACEMENT



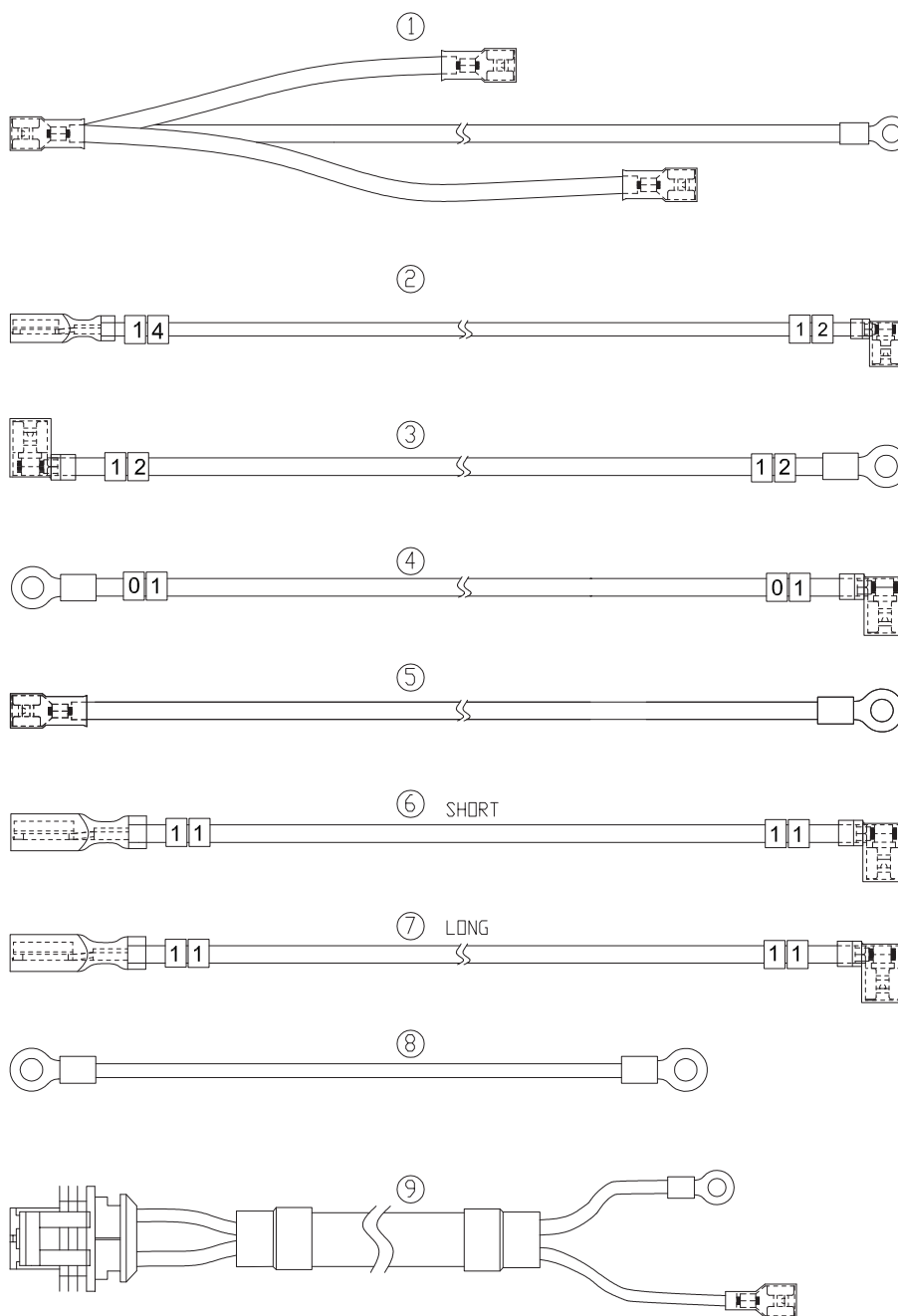
Pos.	Product no	QTY	Description	Notes
1	VR26014	1	KIT SQUEEGEE LIFT CHAIN	
2	VR26015	1	KIT SQUEEGEE BRACKET	
3	VR26016	1	KIT SQUEEGEE MOUNTING PIVOT	
4	VR26017	1	KIT SQUEEGEE ADJUSTMENT HANDLE	
5	VR26018	1	KIT SQUEEGEE ADJUSTMENT BRACKET	
6	VR26006	1	SQUEEGEE BRACKET ASSEMBLY	



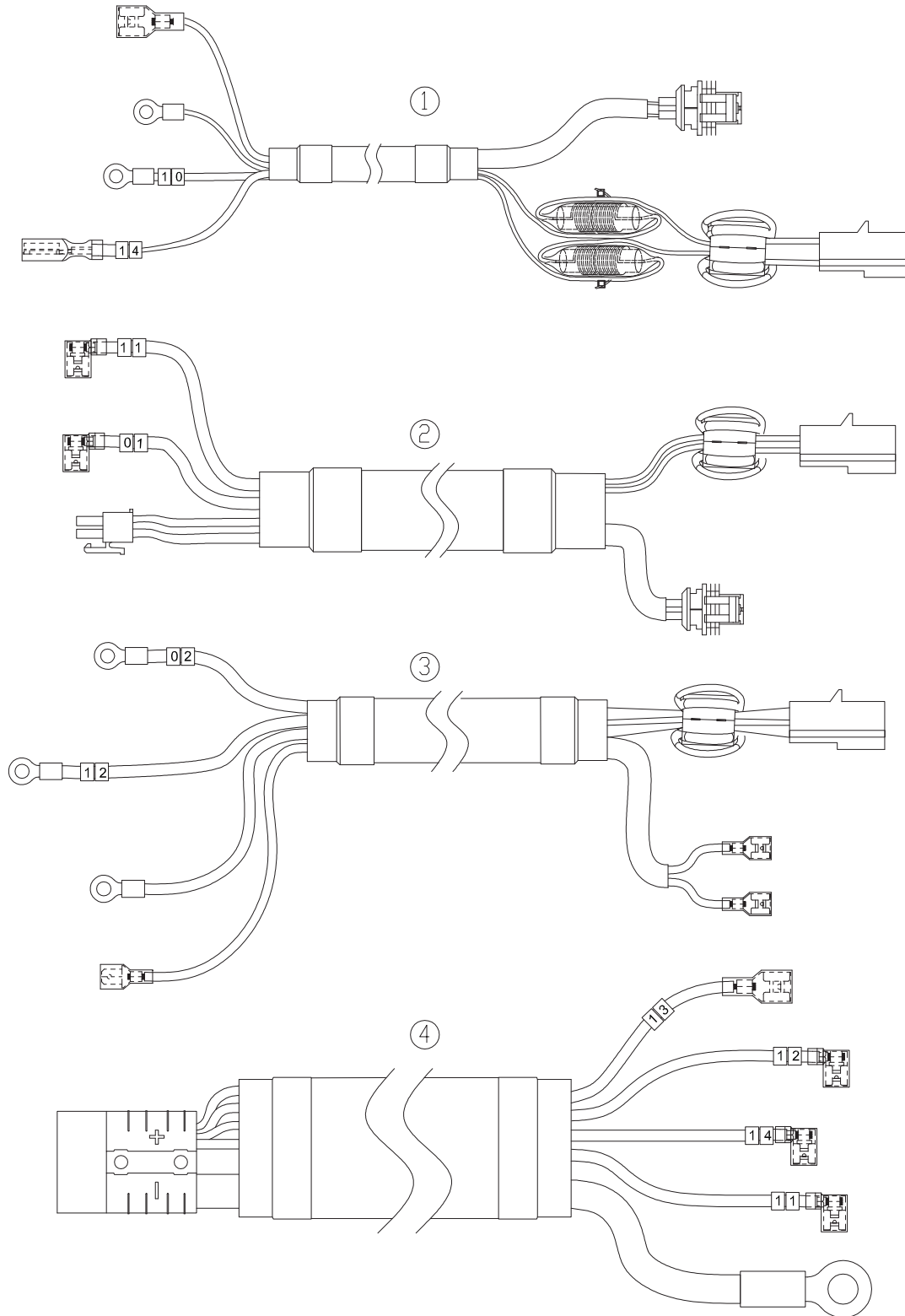
Pos.	Product no	QTY	Description	Notes
1	VF90138	1	17INCH STRAP SQUEEGEE BACK KIT	
2	VF90104	1	BLADE SQUEEGEE REAR RUBBER 730MM 28.5	
2	VF90147	1	BLADE SQUEEGEE REAR PU 730MM 28.5	[1]
3	VR26019	2	WHEEL KIT BUMPER	
4	VF81210	2	THUMB NUT	
5	VR11422	2	RUBBER WASHER	
6	VF85420	2	KNOB CT 476/30 S-P-M8X30 BP INOX / SS	
7	VR26020	1	SQUEEGEE ALUMINUM BODY	
8	VF90103	1	BLADE SQUEEGEE FRONT RUBBER 730MM 28.5	
8	VF90146	1	BLADE SQUEEGEE FRONT PU 730MM 28.5	[1]
9	VR26021	2	KIT SQUEEGEE UNIVERSAL WHEEL	
10	VR26022	1	STRAP KIT FRONT SQUEEGEE	
11	VR26000	1	SQUEEGEE ASSEMBLY	

Part Notes:

[1] - OPTIONAL



Pos.	Product no	QTY	Description	Notes
1	VR27111	1	RELAY CONNECT WIRE	
2	VR27140	1	CONNECT WIRE VAC CIRCUIT BREAK TO RELAY	
3	VS10216	1	CONNECT WIRE BRU CIRCUIT BREAK TO RELAY	
4	VR27153	1	CONNECT WIRE SPEED CTRL TO BINDING POST	
5	VR27152	1	CONNECT WIRE RELAY TO BINDING POST	
6	VR27150	1	CONNECT WIRE DRI CIRCUIT BREAK TO RELAY	
7	VR27151	1	CONNECT WIRE RELAY TO SPEED CONTROLLER	
8	VR27131	1	BRUSH MOTOR SHORT WIRE	
9	VR27120	1	CLEAN WATER LEVEL WIRE	

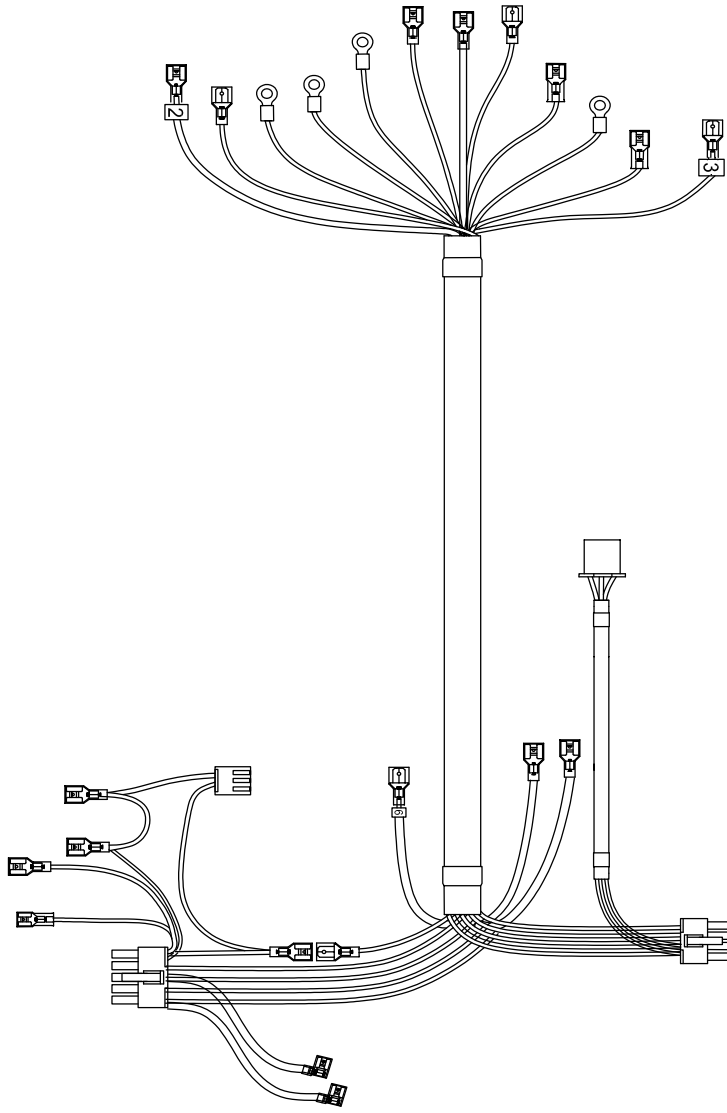


Pos.	Product no	QTY	Description	Notes
1	VR27141	1	VACUUM MOTOR CONNECT WIRE	
1	VR27142	1	VACUUM MOTOR CONNECT WIRE	[1]
2	VR27154	1	DRIVE MOTOR CONNECT WIRE	
2	VR27156	1	DRIVE MOTOR CONNECT WIRE	[1]
3	VR27130	1	BRUSH MOTOR CONNECT WIRE	
3	VR27133	1	BRUSH MOTOR CONNECT WIRE	[1]
4	VR27110	1	24V INPUT LINE WIRE	

Part Notes:

[1] - For AS530R-XX version except AS530R-EU.

Pos.	Product no	QTY	Description	Notes
1	VR27155	1	MOTOR SPEED CONTROLLER CONNECT WIRE	
2	VR27157	1	BUZZER CONNECT WIRE	



Main connection cable

AS530R

2020.08.26

2020.08.26

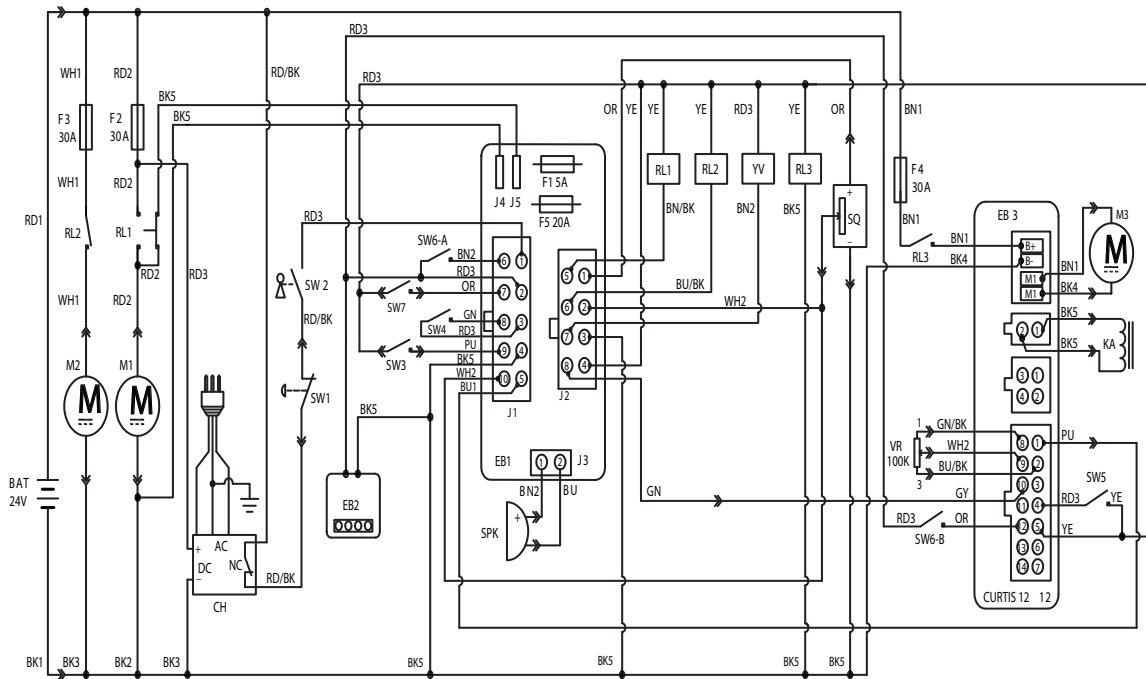
Pos.	Product no	QTY	Description	Notes
1	VR27112	1	MAIN CONNECT WIRE	

Wear and Tear Parts

Pos.	Product no	QTY	Description	Notes
1	VR23057	1	MICROSWITCH KIT	
2	VR22002	1	GASKET	
3	VR27012	1	CUSHION SWITCH KIT	
4	VF90520	1	VACUUM MOTOR	
5	VF90534	1	FLOAT CAGE COMPLETE	
6	VF90522	2	CARBON BRUSH FOR VACUUM MOTOR	
7	VR22006	1	DRAIN HOSE	
8	VF84223	1	HOSE Ø52X1420MM	
9	VR10040	1	KIT UNIVERSAL JOINT	
10	VR24072	1	KIT SQUEEGEE SWITCH	
11	VR24078	1	KIT CONTROL PCB	
11	VR24089	1	KIT CONTROL PCB US VERSION	
12	9100001354	1	SWITCH IGNITION STARTER WITH CAP SIP	
13	VR15110	1	FORWARD OR REVERSE BUTTON	
14	VR24079	1	SPEED POTENTIOMETER	
15	VR27172	1	EMERGENCY-STOP BUTTON	
16	VR25046	1	KIT PLATE DRIVE	
17	VF90282	1	SOLENOID VALVE KIT	
18	VF89116	4	CARBON BRUSH KIT	
19	VR23047	1	KIT CONTACTOR	
20	VR27025	1	KIT MOTOR BRAKE	
21	VR27024	2	CARBON BRUSH	
22	VR21022	1	KIT SPEED CONTROL PEDAL	
23	VR21023	1	KIT SOLUTION COVER	
24	VF90536	1	COVER KIT WATER OUTLET	
25	VF90621	1	FILTER	
26	VF89725	1	CHARGER POWER CABLE EU PLUG	
26	VF89724	1	CHARGER POWER CABLE US PLUG	
26	VF89721	1	CHARGER POWER CABLE 2M CN PLUG	
26	VF89726	1	CHARGER POWER CABLE UK PLUG	
27	VR21053	1	KIT CHARGER	
27	VR21057	1	KIT CHARGER US VERSION	
28	ZD48320	3	CIRCUIT BREAKER 30A	
29	VR21045	2	KIT RELAY	
30	VR21048	1	KIT DRIVE MOTOR CONTROL	
31	VR21049	1	KIT CONTACTOR	
32	VR26014	1	KIT SQUEEGEE LIFT CHAIN	
33	VR26017	1	KIT SQUEEGEE ADJUSTMENT HANDLE	
34	VF90138	1	17INCH STRAP SQUEEGEE BACK KIT	
35	VF90104	2	BLADE SQUEEGEE REAR RUBBER 730MM 28.5	
35	VF90147	1	BLADE SQUEEGEE REAR PU 730MM 28.5	[1]
36	VR26019	1	WHEEL KIT BUMPER	
37	VF90103	1	BLADE SQUEEGEE FRONT RUBBER 730MM 28.5	
37	VF90146	1	BLADE SQUEEGEE FRONT PU 730MM 28.5	[1]
38	VR26021	2	KIT SQUEEGEE UNIVERSAL WHEEL	
39	VR25025	1	SKIRT KIT RIGHT AS530R	[1]
40	VR25026	1	SKIRT KIT LEFT AS530R	[1]

Part Notes:

[1] - OPTIONAL



Pos.	Product no	QTY	Description	Notes
			Components	
BAT			24V BATTERIES	
CH			BATTERY CHARGER	
EB1			CONTROL PANEL BOARD	
EB2			USB CHARGING ELECTRONIC BOARD	
EB3			BRUSH MOTOR CIRCUIT BREAKER	
RL1			VACUUM MOEOR ELECTROM SWITCH	
RL2			DRIVE SYSTEM CIRCUIT BREAKER	
RL3			DRIVE SYSTEM ELECTROM SWITCH	
YV			CONTROL PANEL BOARD FUSE	
F1			VACUUM MOTOR CIRCUIT BREAKER	
F2			BRUSH MOEOR ELECTROM SWITCH	
F3			DRIVE ELECTRONIC BOARD	
F4			WATER ELECTROVALVE	
F5			BRUSH RELEASE FUSE	
KA			BRAKE	
M1			CLEAN WATER LEVEL SWITCH	
M2			VACUUM MOTOR SWITCH	
M3			KEY SWITCH	
SW1			DRIVE MOTOR	
SW2			BRUSH MOTOR	
SW3			VACUUM MOTOR	
SW4			EMERGENCY-STOP SWITCH	
SW5			OPTIONAL MODE SWITCH	
SW6-A			OPTIONAL REVERSE SWITCH	
SW6-B			OPTIONAL REVERSE SWITCH	
SW7			SEAT SWITCH	
SQ			FOOT THROTTLE	
SPK			12VDC BUZZER	
VR			SPEED POTENTIOMETER	
			Wire rod	
RD1			RED/6AWG	
RD2			RED/10AWG	
RD3			RED/20AWG	
RD/BK			RED/BLACK / 20AWG	
BK1			BLACK/6AWG	
BK2			BLACK/10AWG	
BK3			BLACK/12AWG	
BK4			BLACK/14AWG	
BK5			BLACK/18AWG	
BN1			BROWN/14AWG	
BN2			BROWN/20AWG	
BN/BK			BROWN/BLACK / 20AWG	
BU			BLUE/20AWG	
GN/BK			GREEN/BLACK /20AWG	
GN			GREEN/20AWG	
BU/BK			BLUE/BLACK / 20AWG	
GY			GRAY/20AWG	
PU			PURPLE/20AWG	
OR			ORANGE/20AWG	
YE			YELLOW/20AWG	
WH1			WHITE/12AWG	
WH2			WHITE/20AWG	

