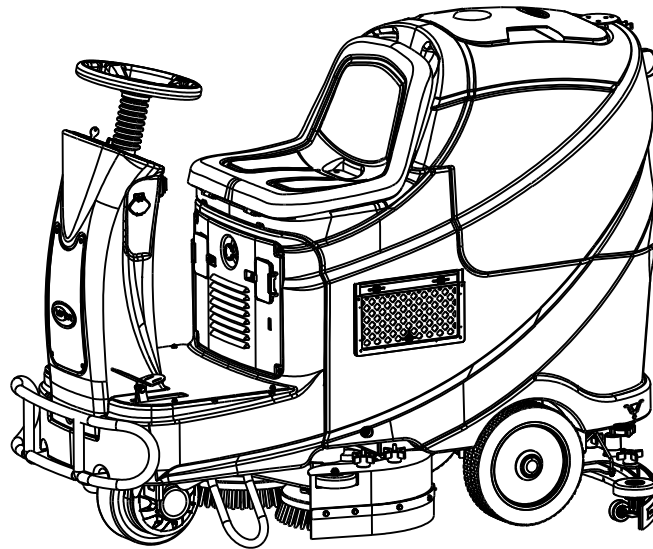


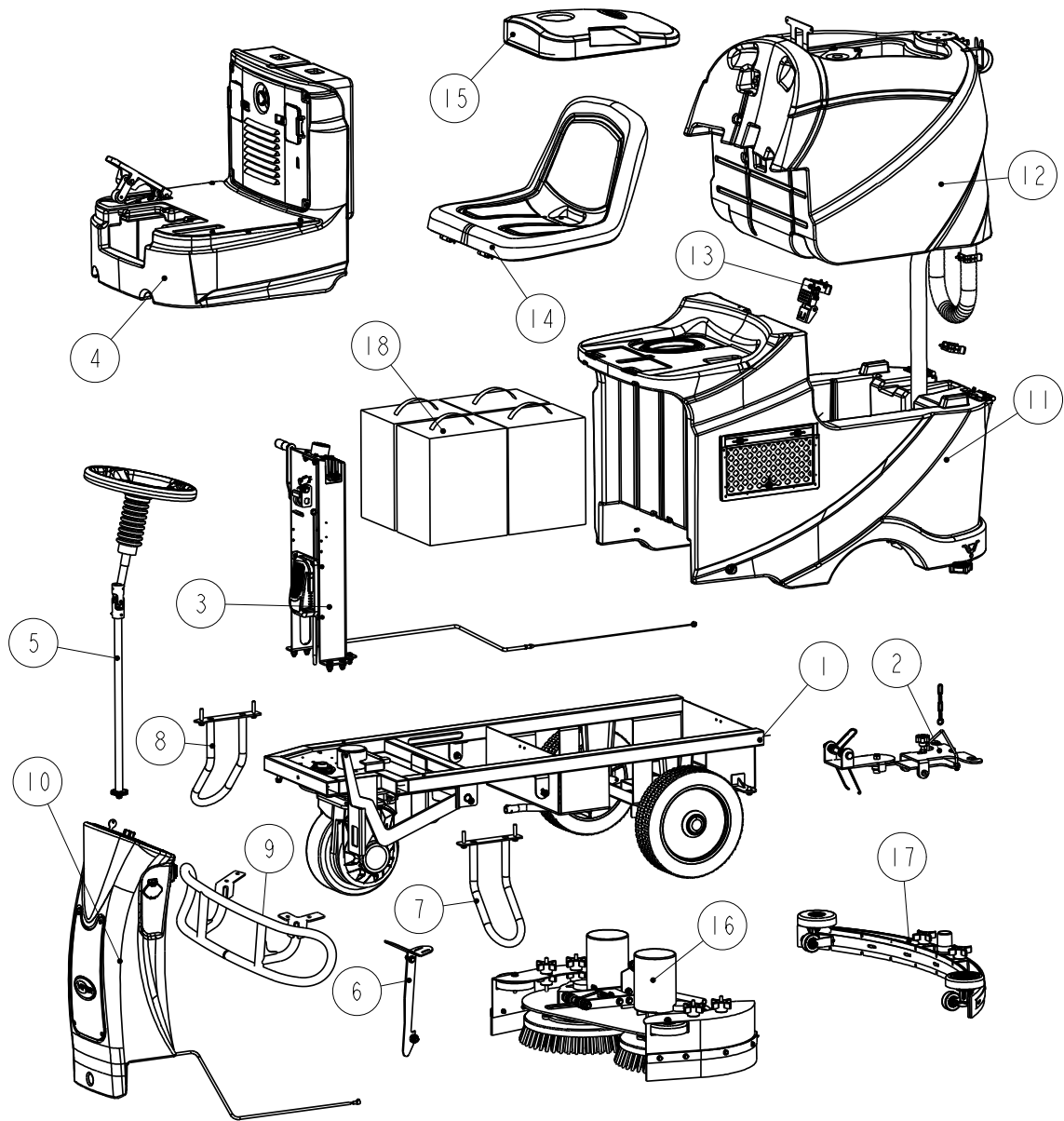
PARTS LIST



2023.12.11

TABLE OF CONTENTS

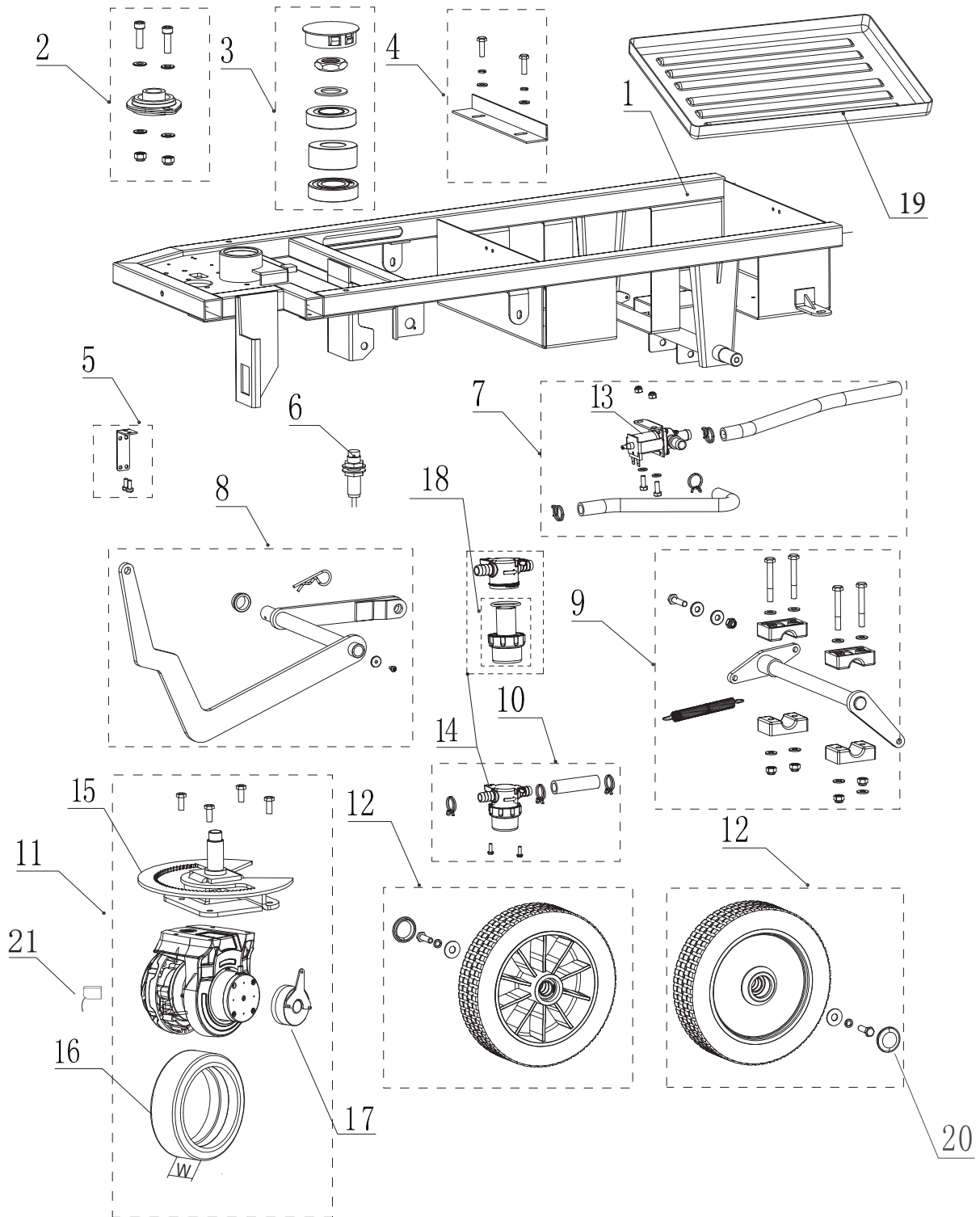
Overview	1
Drive motor and chassis	3
Direction control	5
Front main frame	7
Brush	9
Electric parts	11
Control housing	13
Squeegee bracket	15
Squeegee	17
Solution tank	19
Recovery tank	21
Seat	23
Bumper	25
Electric parts cables	27
Other electric cables	29
MAIN CONNECTING WIRE-VR15113	31
Wirings -VR13440	33
Wear and Tear Parts	35



Pos.	Product no	QTY	Description	Notes
1		1	DRIVER ASSY AND MAIN FRAME	[1]
2		1	SQUEEGEE BRACKET ASSEMBLY	[2]
3		1	FRONT MAIN FRAME ASSEMBLY	[3]
4		1	ELECTRI PARTS ASSEMBLY	[4]
5		1	DIRECTION CONTROL ASSEMBLY	[5]
6		1	LIFT BRUSH PEDAL ASSEMBLY	[6]
7		1	LEFT CRUSH-PROTECT ASSEMBLY	[6]
8		1	RIGHT CRUSH-PROTECT ASSEMBLY	[6]
9		1	KIT FRONT CRUSH-PROTECT	[6]
10		1	FRONT HOUSING ASSEMBLY	[7]
11		1	SOLUTION TANK ASSEMBLY	[8]
12		1	RECOVERY TANK ASSEMBLY	[9]
13		1	RECOVERY TANK LOCK ASSEMBLY	
14		1	SEAT ASSEMBLY	[10]
15		1	RECOVERY TANK COVER ASSEMBLY	[9]
16		1	BRUSH ASSEMBLY	[11]
17		1	SQUEEGEE ASSEMBLY	[12]
18		4	BATTERIES 6V 245AH	
NS	VR18028-1		OUTBOX F AS710R	
NS	VR10053		LABEL F AS710R	

Part Notes:

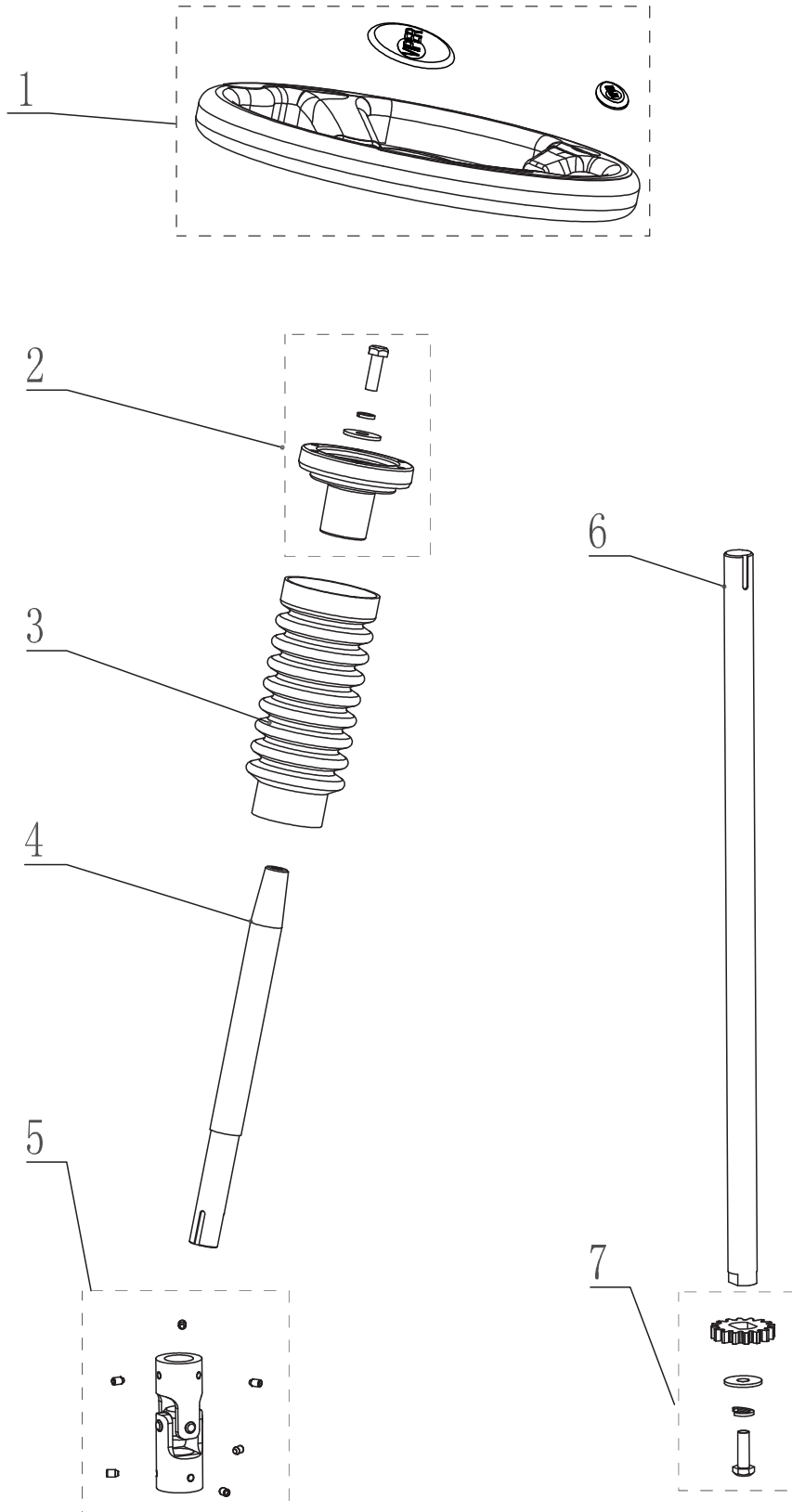
- [1] - Drive motor and chassis
- [2] - Squeegee bracket
- [3] - Front main frame
- [4] - Electric parts
- [5] - Direction control
- [6] - Bumper
- [7] - Control housing
- [8] - Solution tank
- [9] - Recovery tank
- [10] - Seat
- [11] - Brush
- [12] - Squeegee



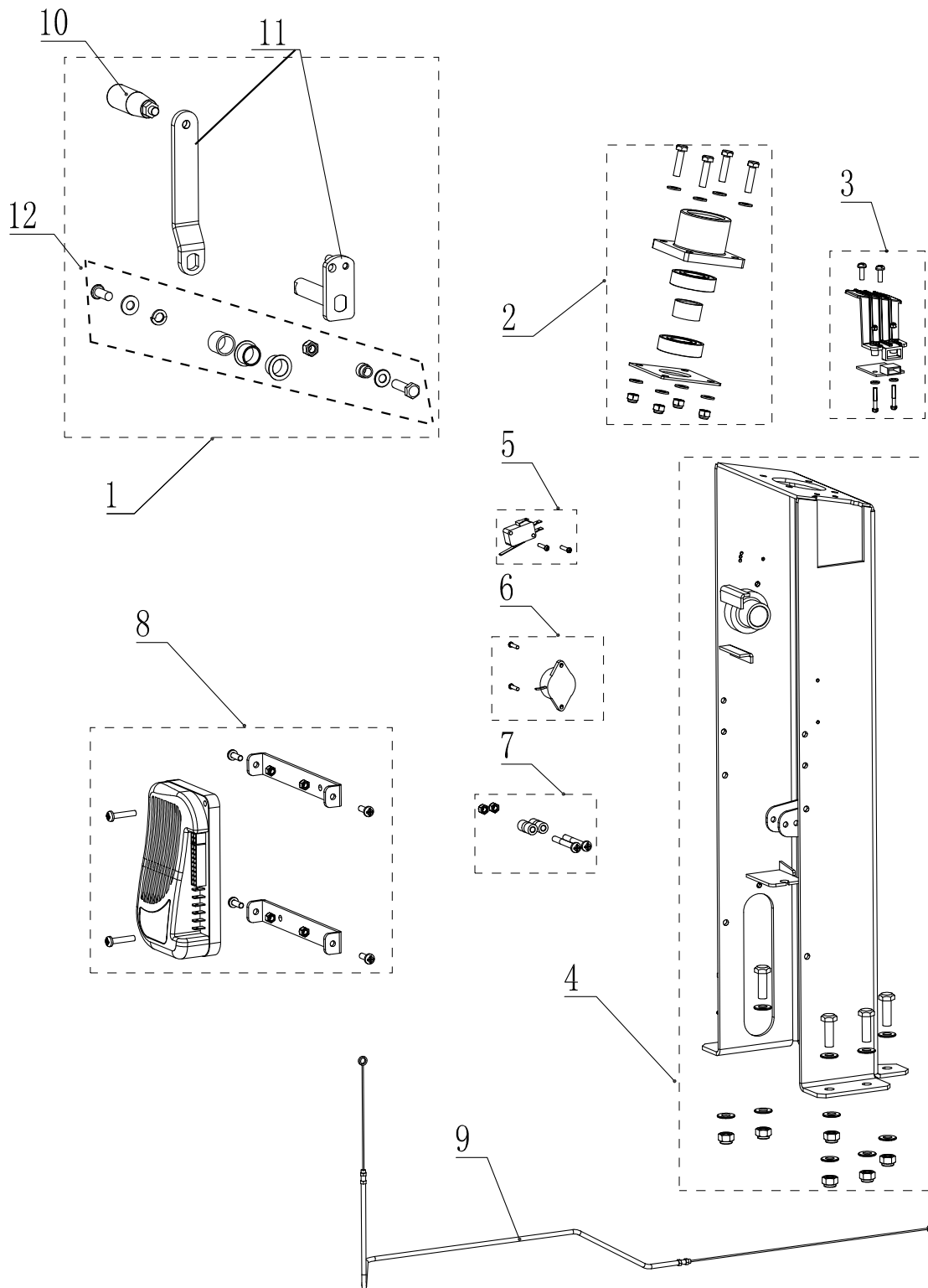
Pos.	Product no	QTY	Description	Notes
1	VR11100	1	CHASSIS	
2	VR11016	1	KIT BEARING WITH BRACKET	
3	VR11501	1	KIT DRIVE MOTOR BEARING	
4	VR11502	1	KIT BATTERY BRACKET	
5	VR11503	1	KIT DRIVE MOTOR BRACKET	
6	VR13435	1	SENSOR SWITCH	
7	VR11506	1	KIT SOLENOID VALVE	
8	VR11505	1	BRACKET KIT BRUSH LIFT	
9	VR11507	1	BRACKET KIT SQUEEGEE LIFT	
10	VR11508	1	KIT FILTER	
11	VR11200	1	KIT DRIVE MOTOR	
12	VR11504	2	KIT REAR WHEEL	
13	VR11600	1	VALVE	
14	VF90621	1	FILTER	
15	VR11202	1	FIXING PLATE FOR DRIVE MOTOR AS710R	
16	VR11204	1	PLASTIC WHEEL - DRIVE MOTOR AS710R 80MM	[1]
16	VR11208	1	PLASTIC WHEEL FOR AS710R 90MM-NEW STYLE	[2]
17	VR11205	1	BRAKE FOR DRIVE MOTOR AS710R	
18	VR11509	1	KIT FILTER COVER	
19	VR10048	1	BATTERY TRAY	
20	VR11018	2	WHEEL COVER	
21	VF89116	4	CARBON BRUSH KIT	

Part Notes:

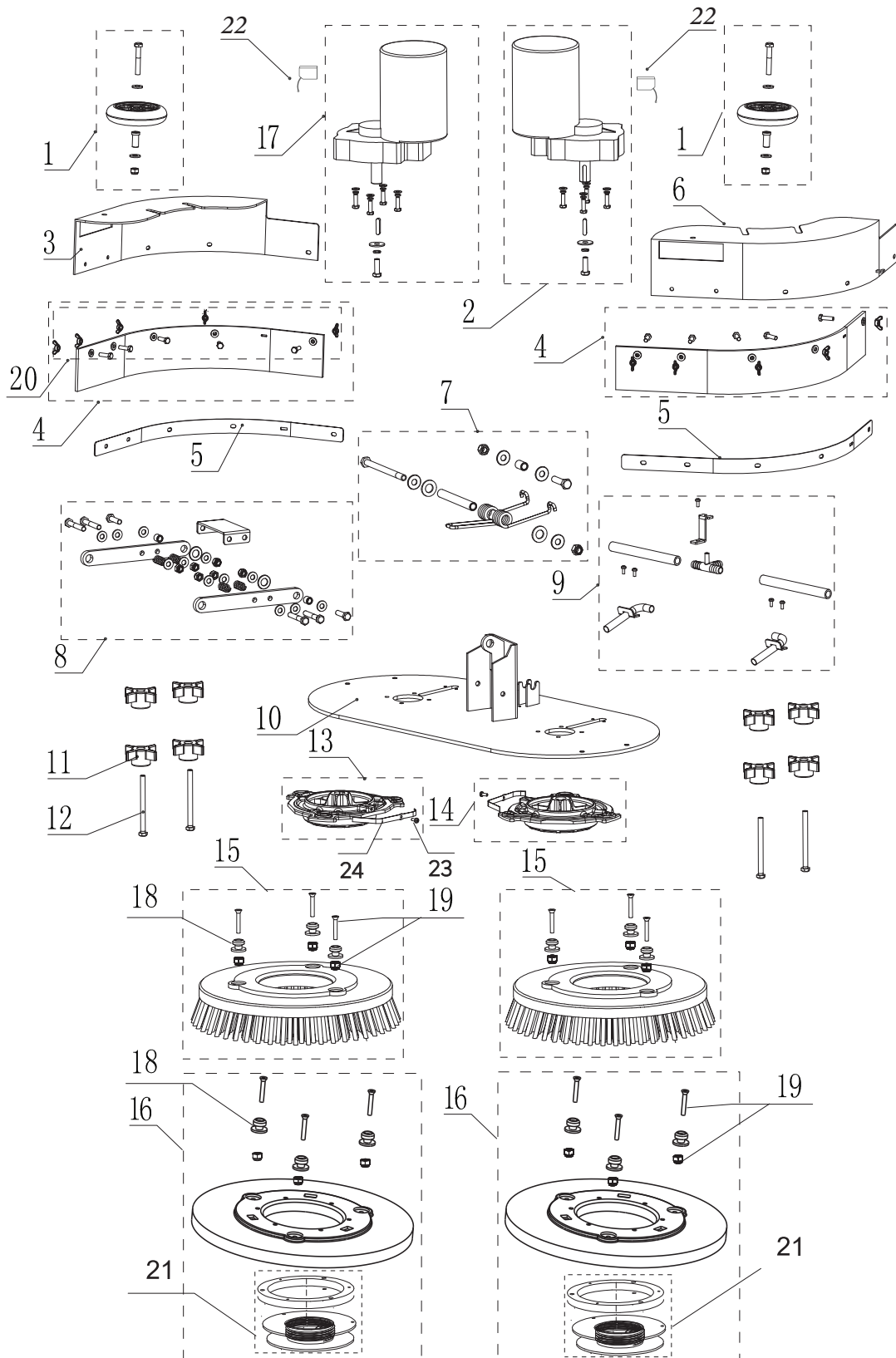
- [1] - W=80MM old version
TSB-DG-2018-11-001 AS710R plastic wheel for traction motor
AS710R plastic wheel installation guide
- [2] - W=90MM new version
TSB-DG-2018-11-001 AS710R plastic wheel for traction motor
AS710R plastic wheel installation guide



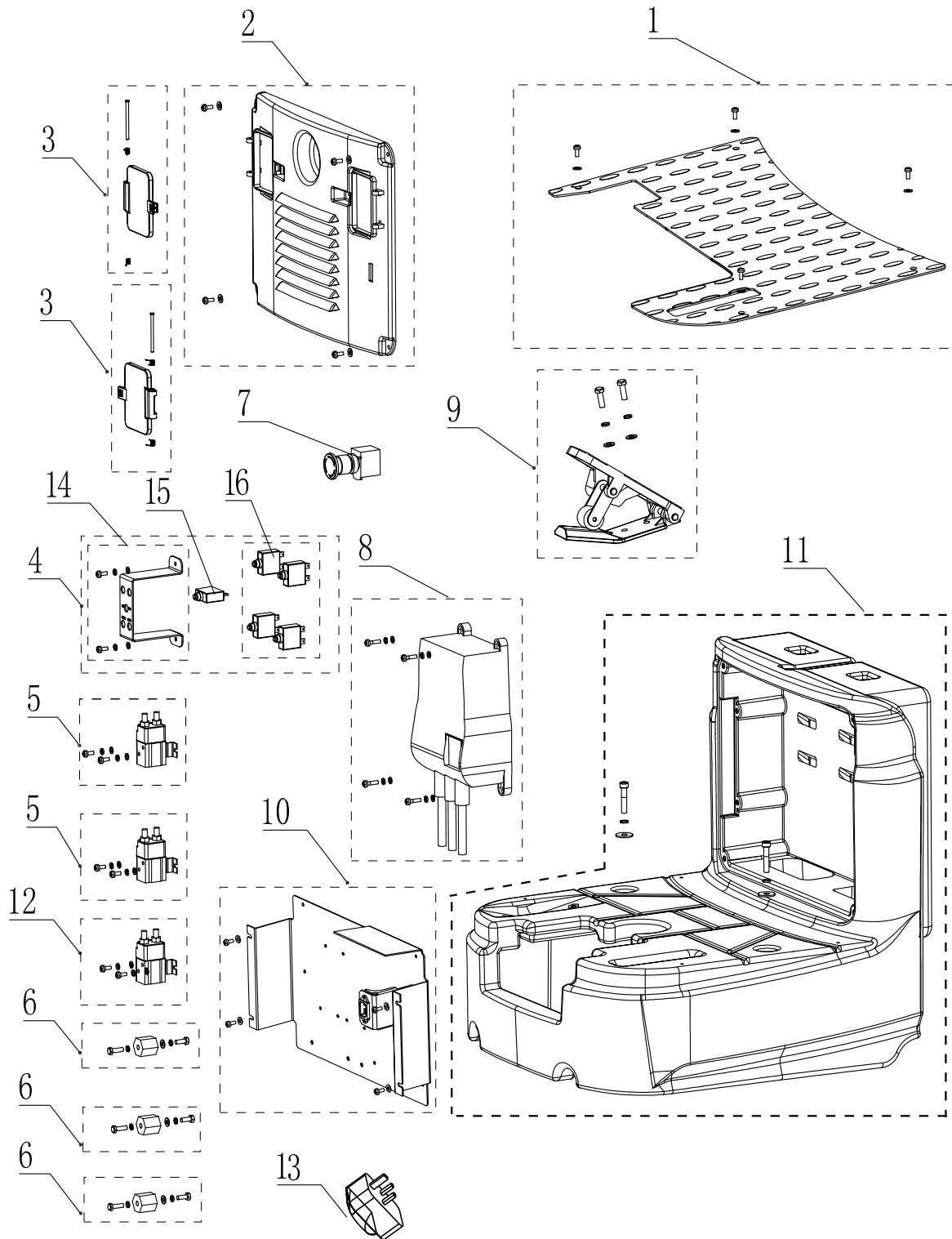
Pos.	Product no	QTY	Description	Notes
1	VR10033	1	STEERING WHEEL	
2	VR10039	1	KIT STEERING WHEEL LOCK	
3	VR10014	1	RUBBER SLEEVE STEERING WHEEL	
4	VR10001	1	UP SHAFT STEERING WHEEL	
5	VR10040	1	KIT UNIVERSAL JOINT	
6	VR11301	1	DOWN SHAFT STEERING WHEEL	
7	VR11303	1	KIT GEAR	



Pos.	Product no	QTY	Description	Notes
1	VR12100	1	HANDLE KIT SQUEEGEE LIFT	
2	VR12200	1	KIT BEARING BASE	
3	VR12300	1	KIT USB	
4	VR12401	1	KIT FRONT FRAME	
5	VR12403	1	KIT SQUEEGEE SWITCH	
6	VR12013	1	KIT HORN	
7	VR12402	1	KIT CABLE GUIDE WHEEL SQUEEGEE LIFT	
8	VR12404	1	KIT DRIVE MOTOR CONTROL	
9	VR12004	1	CABLE SQUEEGEE LIFT	
10	VR12102	1	HANDLE SQUEEGEE LIFT	
11	VR12107	1	BRACKET LEVER	
12	VR12108	1	HARDWARE KIT BRACKET LEVER	



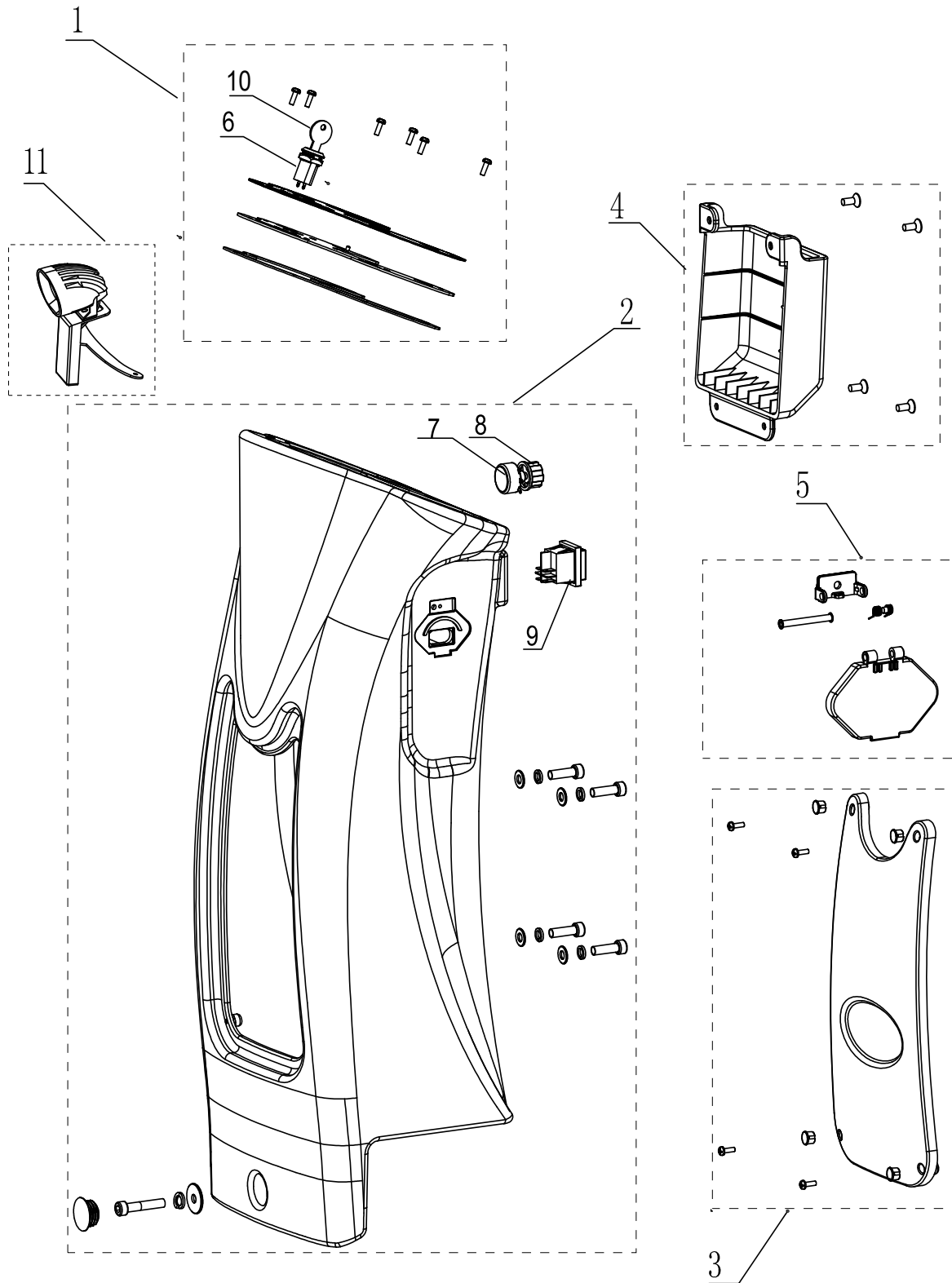
Pos.	Product no	QTY	Description	Notes
1	VR14016	2	KIT BUMPER WHEEL	
2	VR14013	1	KIT BRUSH MOTOR LEFT	
3	VR14501	1	BRUSH SKIRT MOUNT RIGHT	
4	VR14015	2	BLADE SIDE SKIRT RUBBER KIT	
5	VR14403	2	STRAP KIT SKIRT	
6	VR14401	1	BRUSH SKIRT MOUNT LEFT	
7	VR14017	1	KIT BRUSH TORSION SPRING	
8	VR14012	1	KIT BRUSH LIFT ARM	
9	VR14014	1	KIT BRUSH WATER OUTLET	
10	VR14001	1	BRUSH MOUNTING FARAME	
11	VF81210	8	THUMB NUT	
12	VR14005	4	BOLT M8X100 HEX	
13	VR14100	1	KIT LEFT BRUSH HUB	
14	VR14200	1	KIT RIGHT BRUSH HUB	
15	VR14300	2	BRUSH DISC 355MM 14 PPL	
16	VR14303	2	PAD HOLDER 355MM 14	
17	VR14023	1	KIT BRUSH MOTOR RIGHT	
18	VR14301	12	LOCKING PIN FOR BRUSH AS710R	
19	VR14304	12	KIT BUCKLE HARDWARE	
20	VR14202	2	KIT BRUSH SKIRT HARDWARE	
21	VS10131	2	RETAINER PAD KIT	
22	VF89116	8	CARBON BRUSH KIT	
23	VV13650A	2	SCREW M4 X 10 PH STAINLESS STEEL	
24	VR14102	2	SPRING PLATE	



Pos.	Product no	QTY	Description	Notes
1	VR13003	1	KIT ANTI-SKID PLATE	
2	VR13110	1	LID KIT ELECTRIC BOX	
3	VR13120	2	KIT TRANSPARENT LID	
4	VR13220	1	KIT BREAKER	
5	VR13230	2	KIT CONTACTOR	
6	VR13250	2	KIT WIRE CONNECTOR	
7	VR13132	1	EMERGENCY-STOP BUTTON	
8	VR13240	1	CHARGER ON BOARD KIT EU	[1]
8	VR13445	1	CHARGER ON BOARD KIT CN	[2]
8	VR13442	1	CHARGER ON BOARD KIT US	[3]
9	VR13300	1	KIT SPEED CONTROL PEDAL	
10	VR13210	1	KIT ELECTRIC PARTS MOUNTING PLATE	
11	VR13004	1	KIT ELECTRIC BOX	
12	VR13260	1	KIT RELAY	
13	VF82178	1	UK CONVERTER	[4]
14	VR13270	1	KIT BREAKER BRACKET	
15	ZD48320	4	CIRCUIT BREAKER 30A	[5]
16	VF90747	1	CIRCUIT BREAKER	

Part Notes:

- [1] - Pls. refer to installation instruction sheet when building this OBC into machine
onboard battery charger vr13240 installation.pdf
- [2] - PRUNED WITH NO REPLACEMENT
- [3] - US
- [4] - Option
- [5] - TSB-FC-2019-025 brush circuit breaker



Pos.	Product no	QTY	Description	Notes
1	VR15100	1	3811CONTROL PANEL	
2	VR15008	1	KIT CONTROL HOUSING	
3	VR15009	1	LID KIT DRIVE MOTOR CONTROL	
4	VR15011	1	KIT PHONE STORAGE	
5	VR15200	1	KIT USB COVER	
6	VR13436	1	KEY SWITCH	
7	VR13441	1	SPEED POTENTIOMETER	
8	VF81730	1	POTENTIOMETER KNOB	
9	VR15110	1	FORWARD OR REVERSE BUTTON	
10	VR13470	1	KEY FOR AS710R	
11	55943344	1	BLUE LIGHT KIT	[1]

Part Notes:

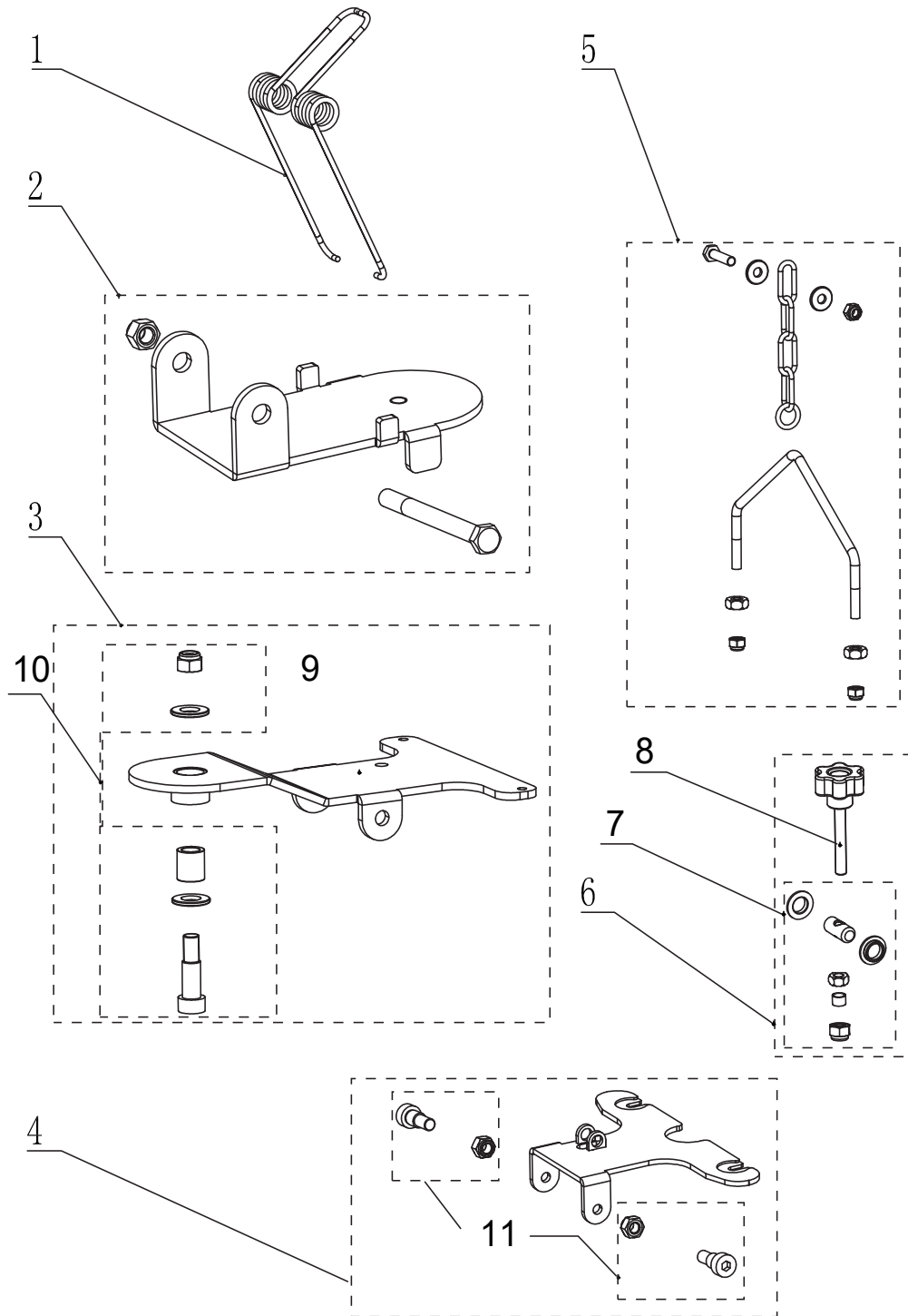
[1] - IS_55942177_ Quick Start Guide

Remark: Can order "BLUE LIGHT KIT" From series No.: Article No. Material description Breaking No.

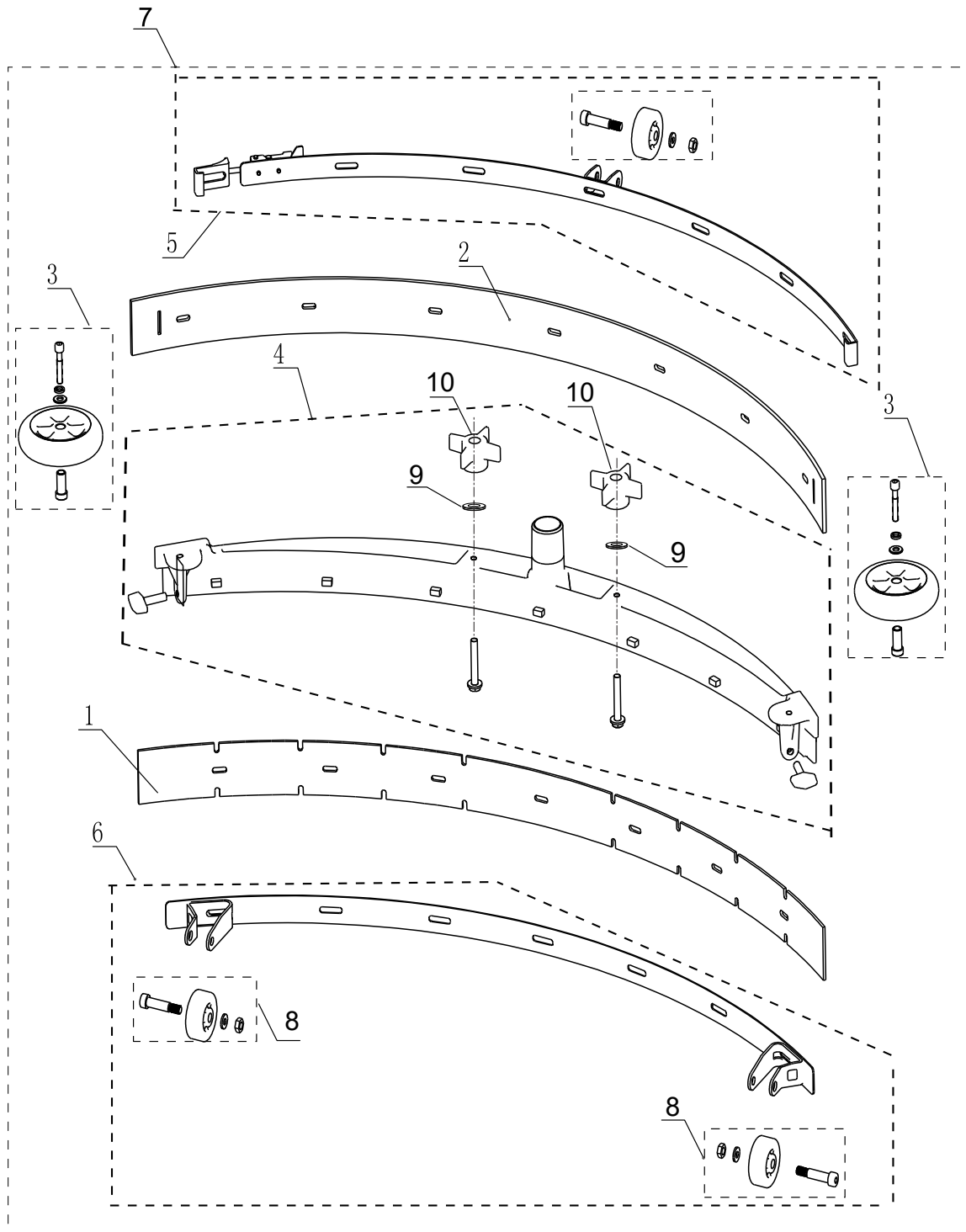
50000315 AS710R-EU RIDE-ON SCRUBBER 24V - EU005432P

50000379 AS710R-NB RIDE-ON SCRUBBER NO BATTERY - NBEU001546P

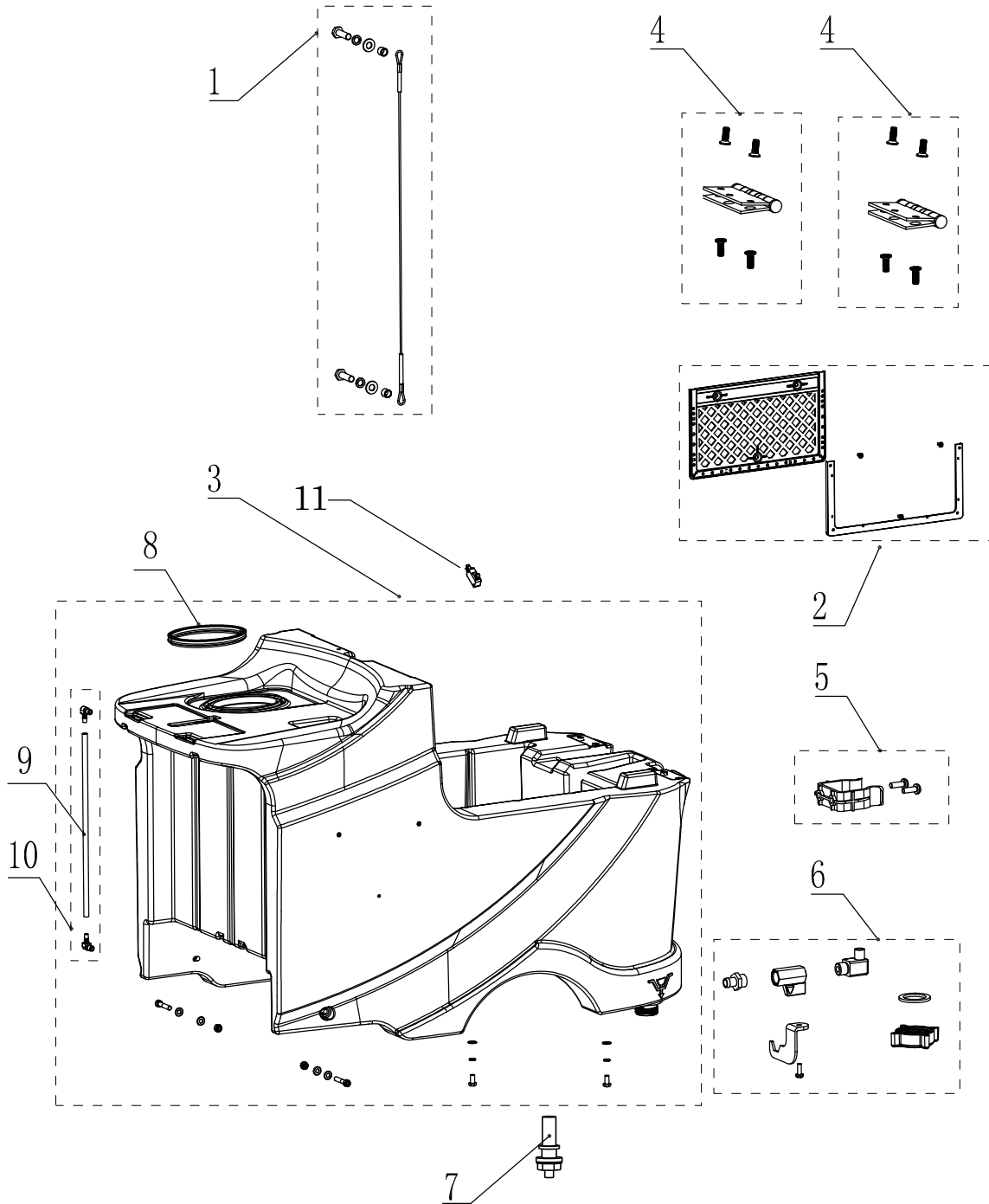
50000541 AS710R-NBNC NO BATTERY NO CHARGER - NBNC001126



Pos.	Product no	QTY	Description	Notes
1	VR11402	1	TORSION SPRING SQUEEGEE	
2	VR11408	1	KIT SQUEEGEE BRACKET	
3	VR11409	1	KIT SQUEEGEE MOUNTING PIVOT	
4	VR11410	1	KIT SQUEEGEE ADJUSTMENT BRACKET	
5	VR11411	1	KIT SQUEEGEE LIFT CHAIN	
6	VR11412	1	KIT SQUEEGEE ADJUSTMENT HANDLE	
7	VR11416	1	KIT HARDWARE ADJUSTMENT HANDLE	
8	VF85104	1	HANDWHEEL M8X55	
9	VR11403	1	SQUEEGEE MOUNTING PIVOT	
10	VR11414	1	KIT HARDWARE SQUEEGEE MOUNTING PIVOT	
11	VR11415	2	KIT HARDWARE SQUEEGEE ADJUSTMENT BRACKET	



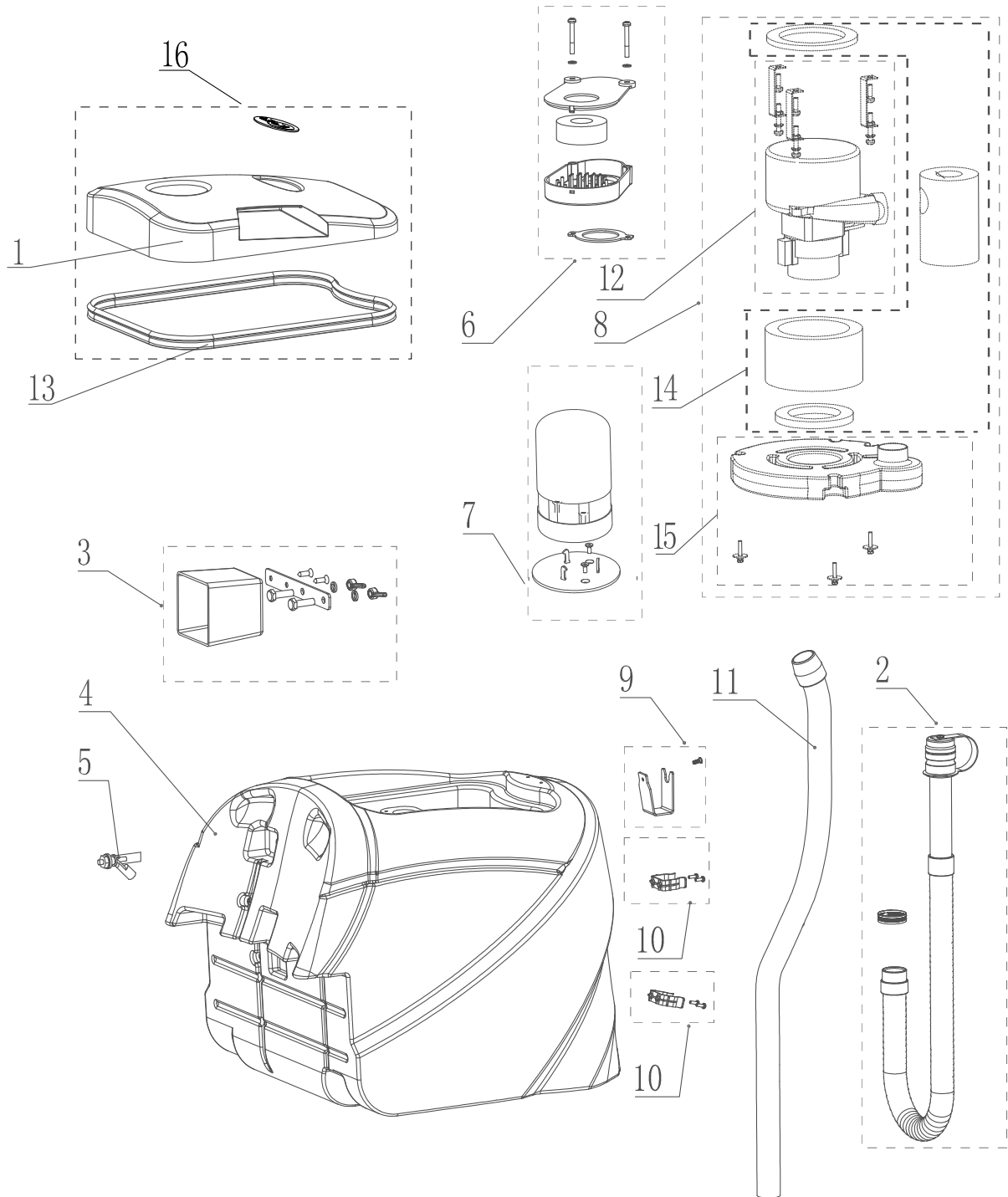
Pos.	Product no	QTY	Description	Notes
1	VR16002	1	BLADE SQUEEGEE FRONT PU 940MM 37	
2	VR16003	1	BLADE SQUEEGEE REAR PU 940MM 37	
3	VR16007	1	WHEEL KIT BUMPER	
4	VR16008	1	SQUEEGEE ALUMINUM BODY	
5	VR16200	1	STRAP KIT REAR SQUEEGEE	
6	VR16100	1	STRAP KIT FRONT SQUEEGEE	
7	VR16000	1	COMPLETE SQUEEGEE KIT 940MM 37 PU	
8	VF90136	3	SQUEEGEE GUIDE WHEEL	
9	VR11422	2	RUBBER WASHER	
10	VF81210	2	THUMB NUT	



Pos.	Product no	QTY	Description	Notes
1	VR17170	1	PULL CABLE RECOVERY TANK	
2	VR17300	2	KIT NET BAG	
3	VR17601	1	KIT SOLUTION TANK	
4	VR17602	2	HINGE KIT RECOVEREY TANK	
5	GV70034	1	CLAMP DRAIN HOSE	
6	VR17604	1	KIT WATER ADJUSTMENT	
7	VR13430	1	SWITCH SOLUTION TANK WATER LEVEL	[1]
8	VR17009	1	SEALING	
9	VR17003	1	WATER LEVEL SIGHT TUBE	
10	VR17608	1	KIT WATER LEVEL SIGHT TUBE	
11	VF85507	1	MICO-SWITCH	[2]

Part Notes:

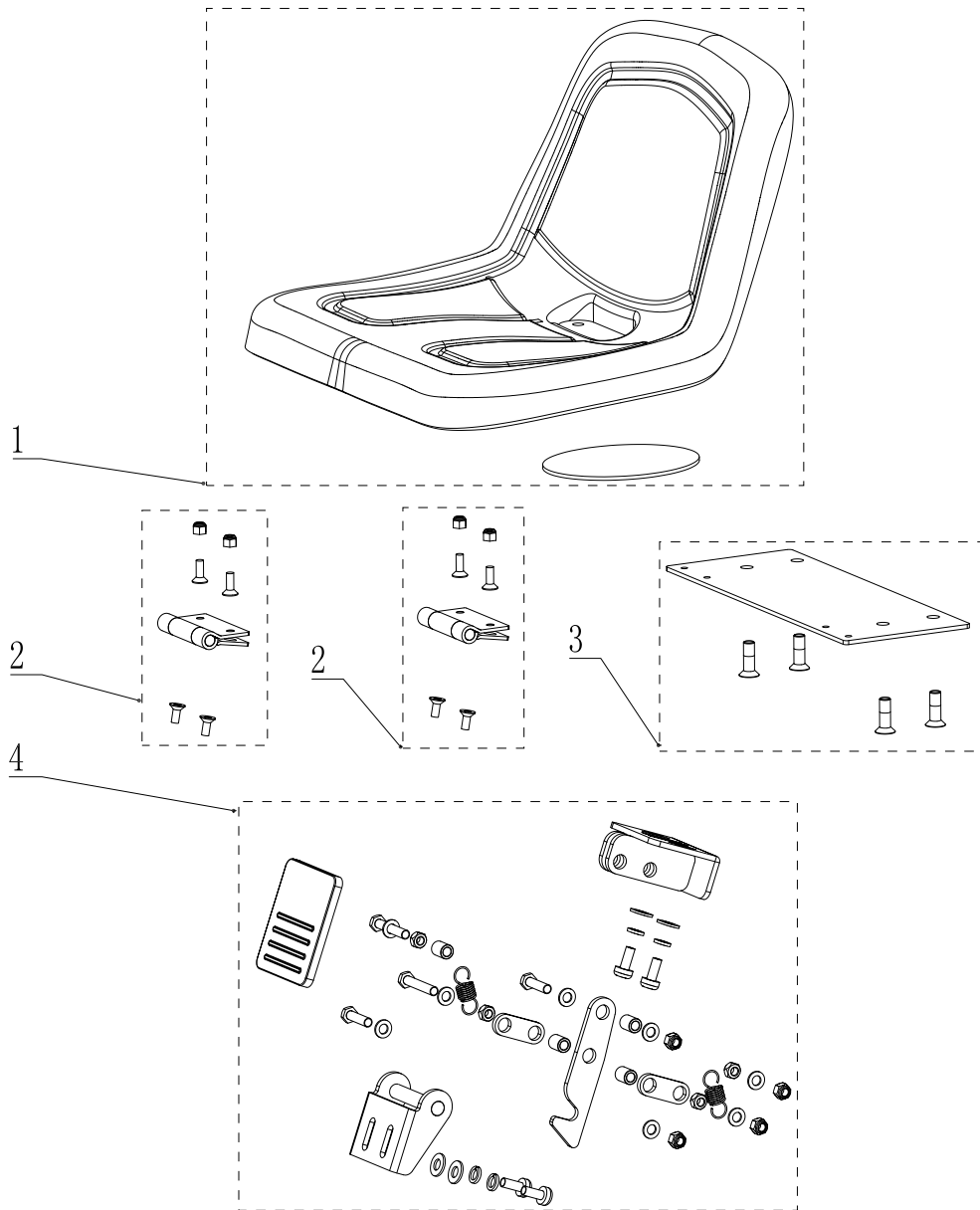
- [1] - TSB 2016-007 AS710R solution water level sensor improvement
- [2] - Only for AS710R-NBNC



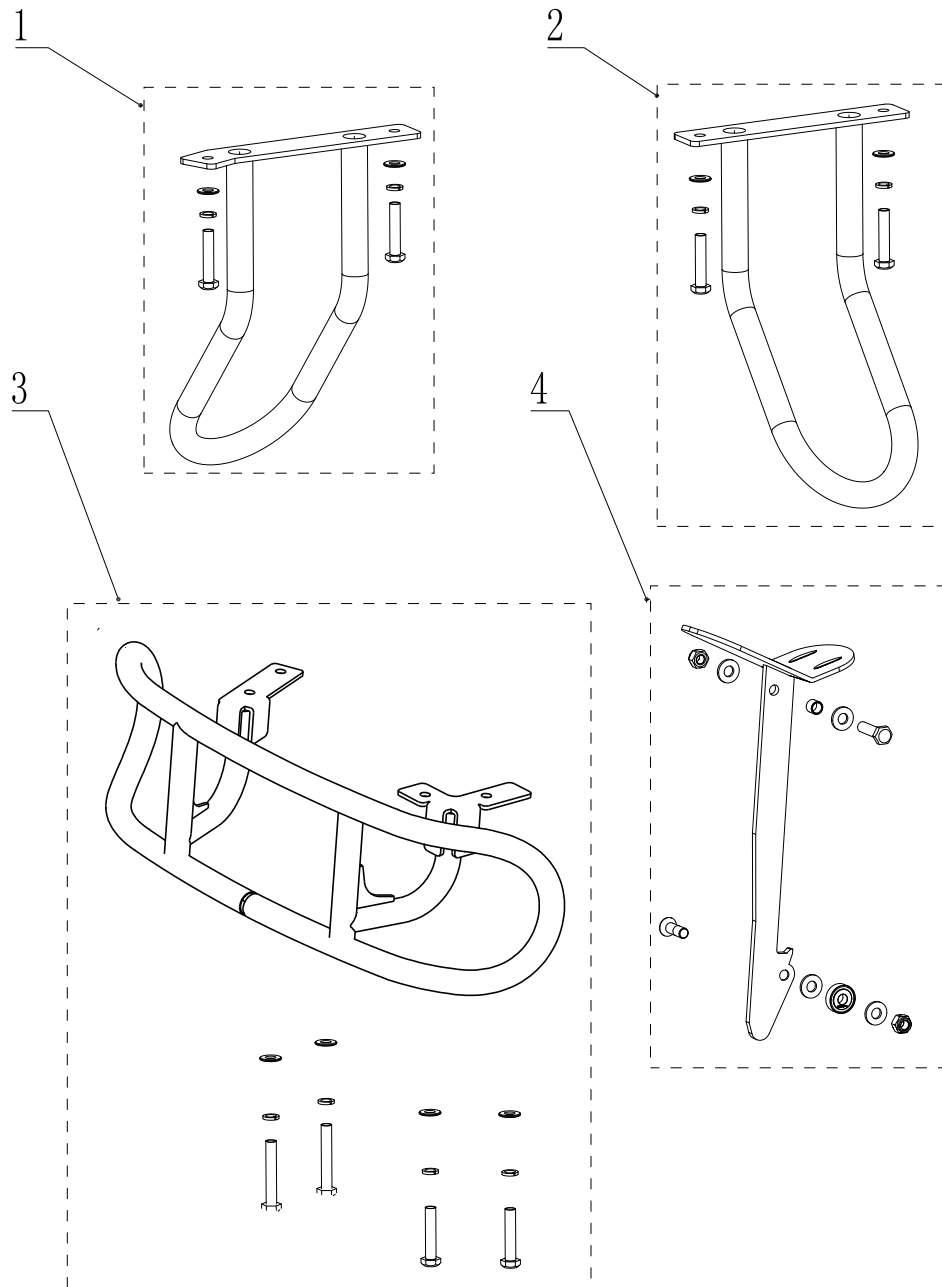
Pos.	Product no	QTY	Description	Notes
1	VR17108	1	RECOVERY TANK COVER	
2	VR17606	1	KIT DRAIN HOSE	
3	VR17107	1	LID KIT WATER LEVEL SWITCH RECOVERY TANK	
4	VR17101	1	RECOVERY TANK	
5	VR13431	1	SWITCH WATER LEVEL RECOVERY TANK	
6	VR17130	1	KIT VACUUM HOLE	
7	VR17160	1	KIT WARNING LIGHT	[1]
8	VR17120	1	KIT VACUUM MOTOR AND FIXING	
9	VR17605	1	KIT SQUEEGEE HOOK	
10	VR17603	1	KIT HOSE CLAMP	
11	VR17006	1	SQUEEGEE HOSE	
12	VR17119	1	KIT VACUUM MOTOR	
13	VR17109	1	SEALING	
14	VR17123	1	KIT VACUUM GASKET OR SPONGE	
15	VR17124	1	KIT SILENCER	
16	VR17140	1	LID KIT RECOVERY TANK	

Part Notes:

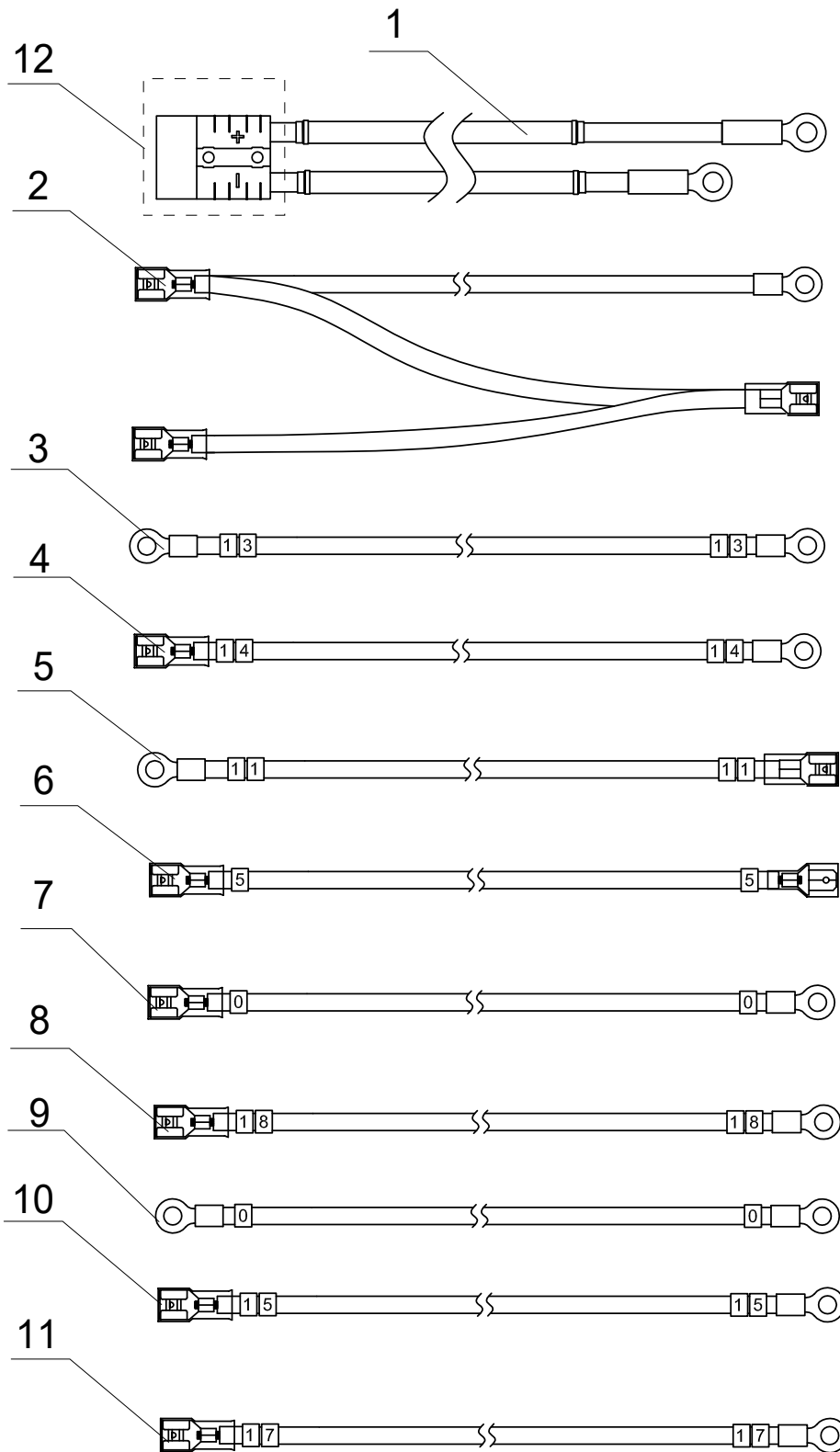
[1] - Option



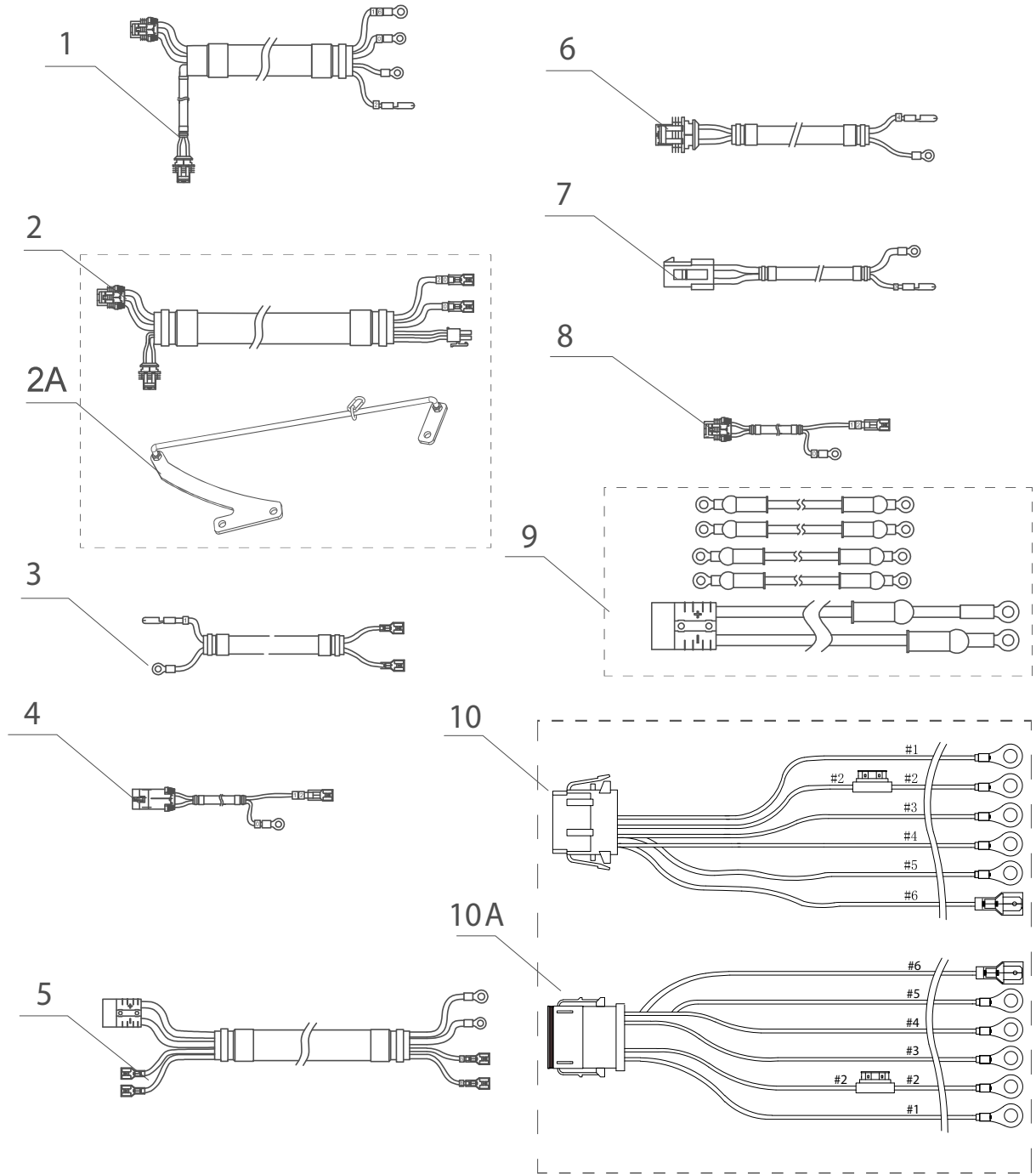
Pos.	Product no	QTY	Description	Notes
1	VR17405	1	KIT SEAT	
2	VR17406	2	HINGE KIT SEAT	
3	VR17407	1	KIT SEAT MOUNTING PLATE	
4	VR17200	1	KIT RECOVERY TANK LATCH	



Pos.	Product no	QTY	Description	Notes
1	VR10028	1	KIT RIGHT BUMPER	
2	VR10026	1	KIT LEFT BUMPER	
3	VR10027	1	KIT FRONT BUMPER	
4	VR10012	1	PEDAL KIT BRUSH LIFT	



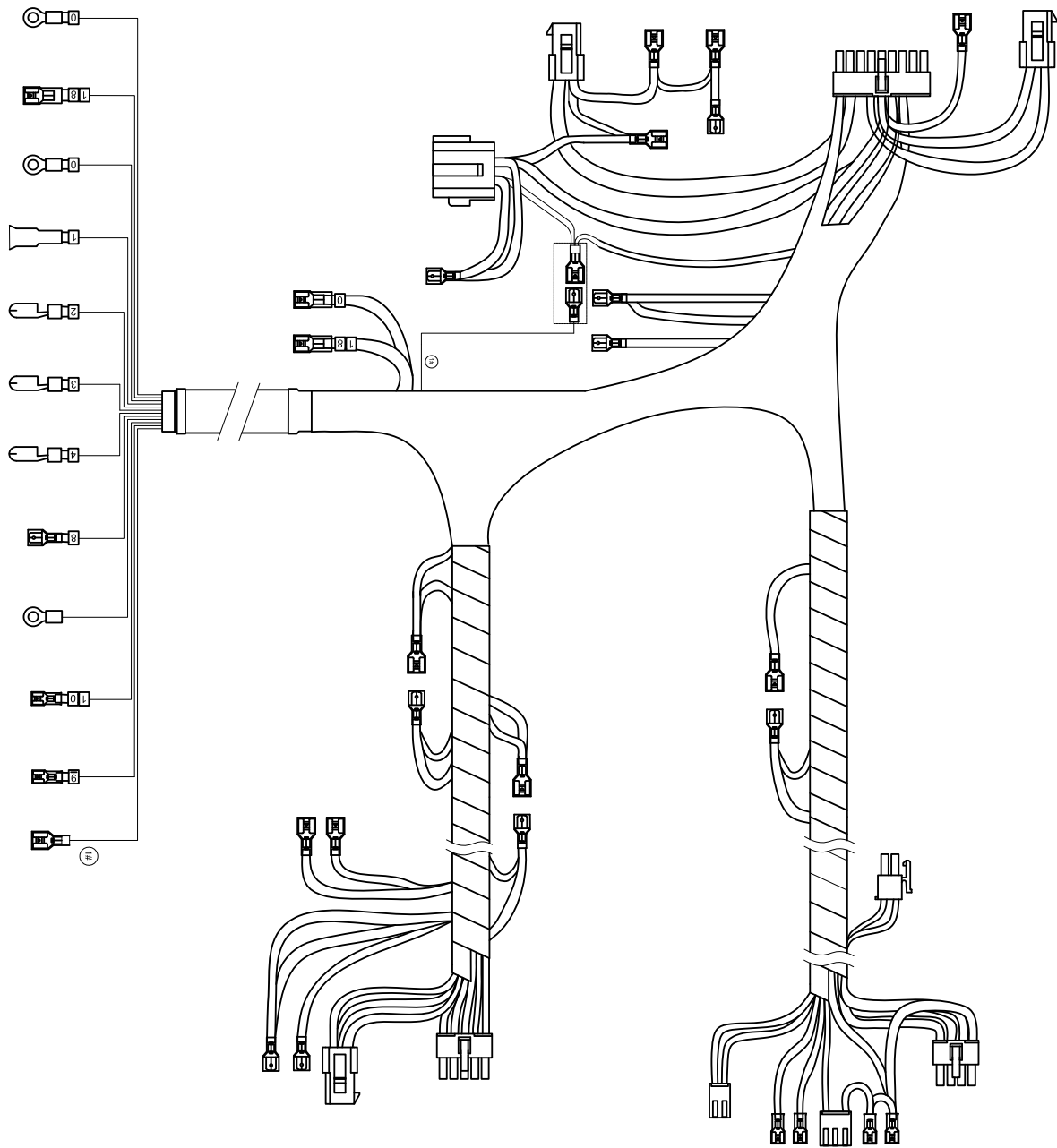
Pos.	Product no	QTY	Description	Notes
1	VR13414	1	KIT WIRE FOR BATTERIES	
2	VR13418	1	KIT CONTACTOR WIRE	
3	VR13424	1	MAIN CONTACTOR TO BRUSH MOTOR WIRE	
4	VR13422	1	VAC MOTOR BREAKER TO ITS CONTACTOR WIRE	
5	VR13425	1	BRUSH MOTOR CONTACTOR TO BREAKER WIRE	
6	VR13421	1	MAIN BREAKER TO EMERGENCY-STOP WIRE	
7	VR13417	1	MAIN CONTACTOR TO NEGATIVE POLE WIRE	
8	VR13419	1	MAIN CONTACTOR TO MAIN BREAKER WIRE	
9	VR13416	1	NEGATIVE CONNECT POLE WIRE	
10	VR13420	1	MAIN CONTACTOR TO VAC MOTOR BREAKER WIRE	
11	VR13437	1	MAIN CONTACTOR TO BREAKER WIRE	
12	VF81306-1	1	ANDERSON PLUG 175A 600V	



Pos.	Product no	QTY	Description	Notes
1	VR13423	1	KIT VACUUM MOTOR WIRE	
1	VR13443	1	CONNECTION CABLE FOR VACUUM MOTOR	[1]
2	VR13438	1	KIT DRIVE MOTOR WIRE	[2]
2A	VR10200	1	RETRO-FIT KIT AS710R DRIVE MOTOR CABLE	
3	VR13428	1	KIT WATER ELETRO VALVE WIRE	
4	VR13426	1	KIT BRUSH MOTOR WIRE RIGHT	
5	VR13413	1	KIT EXTERNAL CHARGER WIRE	
6	VR13429	1	SWITCH SOLUTION TANK WATER LEVEL WIRE	
7	VR13433	1	KIT SEAT SWITCH WIRE	
8	VR13427	1	KIT BRUSH MOTOR WIRE LEFT	
9	VR13412	1	KIT WIRE FOR BATTERIES	
10	VS14243	1	HARNES TRACKCLEAN US STD	[3]
10A	55941043	1	HARNES MULTICON MDFNY1-250 USWM	[4]
10B	VR13446	1	VR13446	

Part Notes:

- [1] - CN/US
- [2] - TSB 2017-003 AS710R traction motor cable fixing improvement 2nd
- [3] - Use it before serial#:USWM001266N
- [4] - Start at serial#:USWM001266N)



MAIN CONNECTING WIRE-VR15113

AS710R

2021.07.26

2021.07.26

Pos.	Product no	QTY	Description	Notes
	VR15113	1	VR15113	

Pos.	Product no	QTY	Description	Notes
	VR13440	1	MAIN WIRE HARNESS	

Wear and Tear Parts

Pos.	Product no	QTY	Description	Notes
1	VR11506	1	KIT SOLENOID VALVE	
2	VR12403	1	KIT SQUEEGEE SWITCH	
3	VR12013	1	KIT HORN	
4	VR14016	2	KIT BUMPER WHEEL	
5	VR14015	2	BLADE SIDE SKIRT RUBBER KIT	
6	VR14300	2	BRUSH DISC 355MM 14 PPL	
7	VR13220	1	KIT BREAKER	
8	VR13132	1	EMERGENCY-STOP BUTTON	
9	VR15100	1	3811CONTROL PANEL	
10	VR16002	1	BLADE SQUEEGEE FRONT PU 940MM 37	
11	VR16003	1	BLADE SQUEEGEE REAR PU 940MM 37	
12	VR17300	1	KIT NET BAG	
13	VR17603	3	KIT HOSE CLAMP	
14	VR13431	1	SWITCH WATER LEVEL RECOVERY TANK	
15	VR17006	1	SQUEEGEE HOSE	
16	VR17606	1	KIT DRAIN HOSE	
17	VR11600	1	VALVE	
18	VF90621	1	FILTER	
19	VR13436	1	KEY SWITCH	
20	VR13441	1	SPEED POTENTIOMETER	
21	VF81730	1	POTENTIOMETER KNOB	
22	VR15110	1	FORWARD OR REVERSE BUTTON	
23	VF81210	2	THUMB NUT	
24	VF90136	2	SQUEEGEE GUIDE WHEEL	
25	VR17109	1	SEALING	
26	VR14303	2	PAD HOLDER 355MM 14	

