

# PARTS LIST

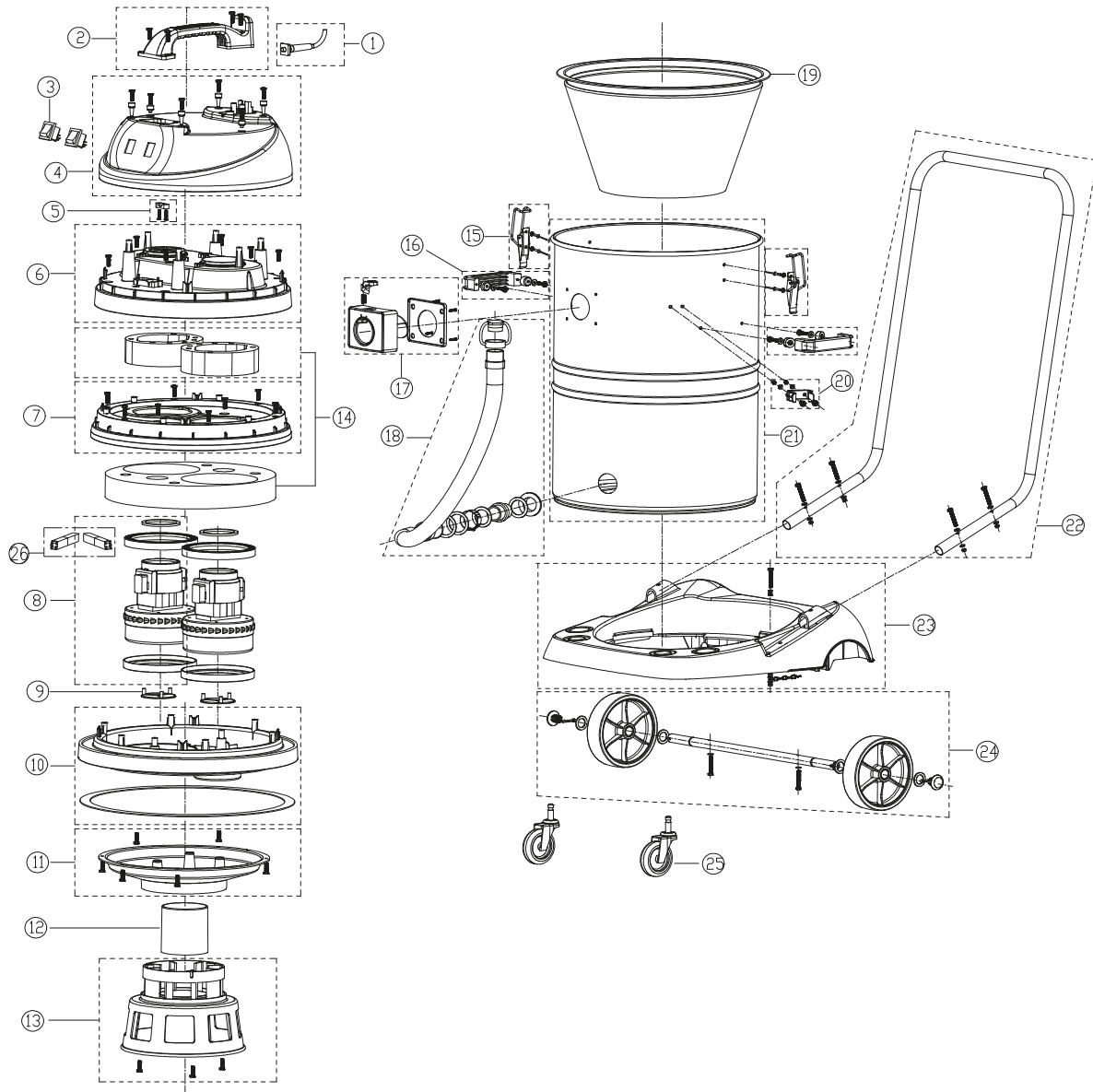


2023.08.01

# TABLE OF CONTENTS

---

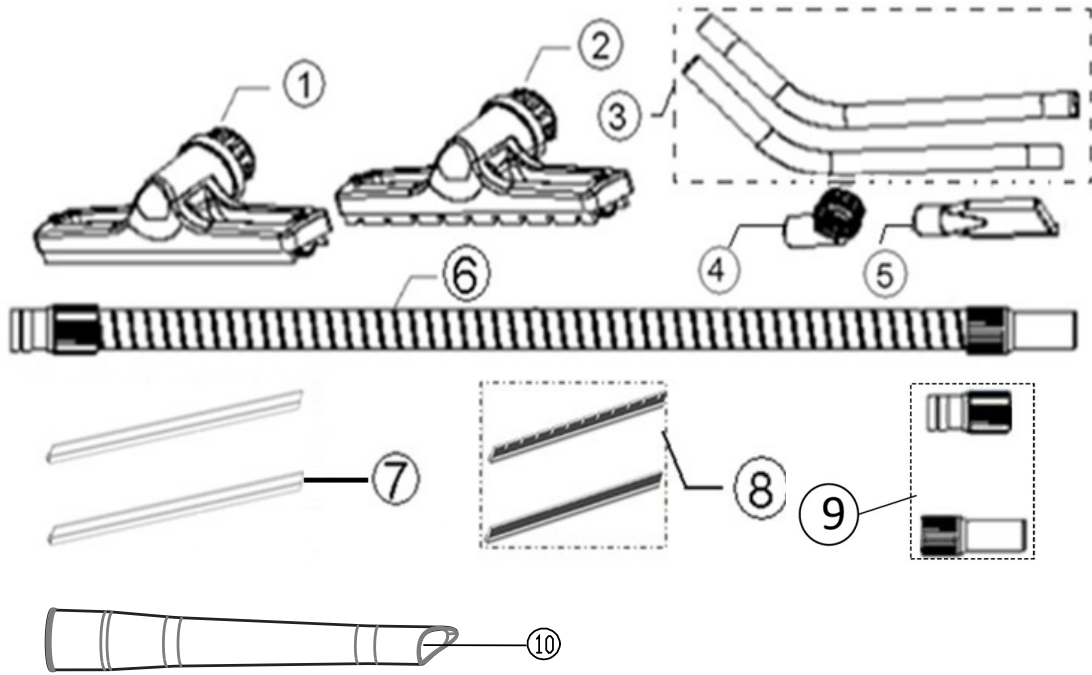
Overview .....	1
Accessories .....	3
Wear and Tear Parts .....	5
Fixed squeegee chassis .....	7



Pos.	Product no	QTY	Description	Notes
1	VA86618	1	POWER CORD EU PLUG KIT	
1	VA86619	1	POWER CORD UK PLUG KIT	
2	VA86630	1	HANDLE KIT	
3	VA91346	2	SWITCH	
4	VA86621	1	MACHINE HEAD COVER KIT	
5	VA86604	1	CLAMP BLOCK KIT	
6	VA86622	1	MOTOR COVER KIT	
7	VA86624	1	MOTOR PRESSING DISH KIT	
8	VA86608	2	MOTOR ASSEMBLY KIT	
9	GV70008	2	SEAL PLATE	
10	VA86649	1	MOTOR SUPPORTING BASE KIT	
11	VA86610	1	FLOW DIVIDER DISH KIT	
12	VA80063	1	FLOAT CUP	
13	VA80766	1	FLOAT CUP HOLDER	
14	VA80724	1	SOUND SPONG KIT EXTREME INCL.TOP AND MID	
15	VA80734	2	TANK CATCH KIT	
16	VA86612	2	HANDLE LIFT KIT	
17	VA86613	1	ABSORBING TUBE BASE KIT	
18	VA86614	1	DRAIN KIT	[1]
19	VA81342	1	FILTER WET LSU	
19	VA80119	1	55L ABSORBING DUST FILTER	
20	VA80750	1	DRAIN HOLDER KIT	
21	VA86670	1	75L METAL TANK KIT INCL. LOGO	
21	VA80807	1	75L PLASTIC TANK KIT INCL. LOGO&SCREW ET	
22	VA86615	1	BOTTOM BASE HANDLE KIT	
23	VA80027	1	CHASSIS ASSEMBLY FOR PLASTIC TANK 55/75L	
23	VA86616	1	CHASSIS ASSEMBLY FOR METAL TANK 95L 375L	
24	VA86617	1	REAR WHEEL KIT	
25	VA96850	2	CASTER 3 INCH	
26	ZD89002	2	MOTOR CARBON BRUSH	

Part Notes:

[1] - INCL. DRAIN WATER TUBE WITH HEAD WASHER SEALING CIRCLE, FIXING CLAMP



Pos.	Product no	QTY	Description	Notes
1	VA80853	1	PICK-UP TOOL	
2	VA80036	1	DRY PICK-UP TOOL	
3	VA80711	1	WAND ASSEMBLY	
4	VA20803	1	DUSTING Ø 38 MM	
5	VA20806	1	CREVICE TOOL Ø 38 MM	
6	VA80401	1	SUCTION TUBE ASSEMBLY	[1]
6	VA80400	1	SUCTION TUBE ASSEMBLY	[2]
7	VA86700	2	BLADE STRIP 38MM	
8	VA81119	1	BRUSH STRIP KIT 38MM	
9	VA80654	1	HOSE APDATOR KIT LSU	
10	VA82080	1	Ø38MM TPE NOZZLE 95SHA	

## Part Notes:

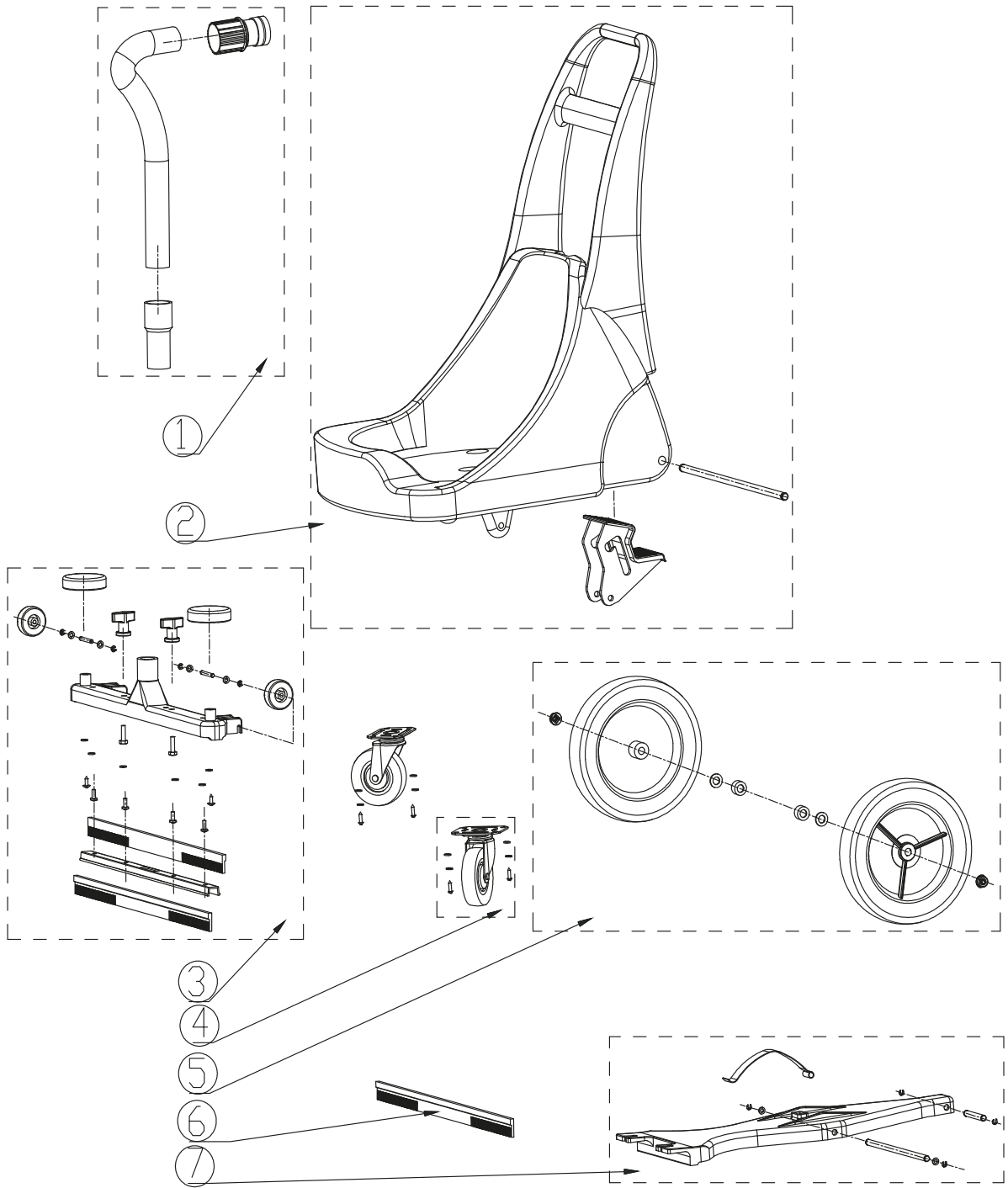
- [1] - LSU135
- [2] - LSU155/255/275/295/375/395



Pos.	Product no	QTY	Description	Notes
02	VA91346	1	SWITCH	
04	VA80734	1	TANK CATCH KIT	
05	VA86612	1	HANDLE LIFT KIT	[1]
06	VA86614	1	DRAIN KIT	[2]
07	VA80750	1	DRAIN HOLDER KIT	[1]
08	VA81342	1	FILTER WET LSU	
08	VA80119	1	55L ABSORBING DUST FILTER	[3]
09	VA96850	1	CASTER 3 INCH	[1]

## Part Notes:

- [1] - LSU155/255/275/295/375/395
- [2] - LSU275/295/375/395
- [3] - LSU155/255/275/295



Pos.	Product no	QTY	Description	Notes
	55942193	1	TROLLEY FIXED SQGEE KIT 69CM LSU275-CN2	[1]
	VA87704	1	TROLLEY FIXED SQUEEGEE KIT 69CM	[2]
1	VA83611-010	1	HOSE ASSEMBLY	
2	VA87703	1	BOTTOM BASE ASSEMBLY	
3	VA00001	1	FRONT MOUNT SQUEEGEE ASSY 24INCH	[3]
4	VA80898	2	3.5 WHEEL ASSEMBLY	
5	VA80896	1	NON-MARKING10 WHEEL ASSEMBLY	
6	VA85007	2	BLADE 24INCH	
7	VA80897	1	CONNECT BOARD ASSEMBLY	

Part Notes:

- [1] - Only for CN
- [2] - Optional accessory fixed squeegee for LSU series  
TSB-001-2013-004 fixed squeegee for LSU series
- [3] - REDUCE COMPLEXITY

