

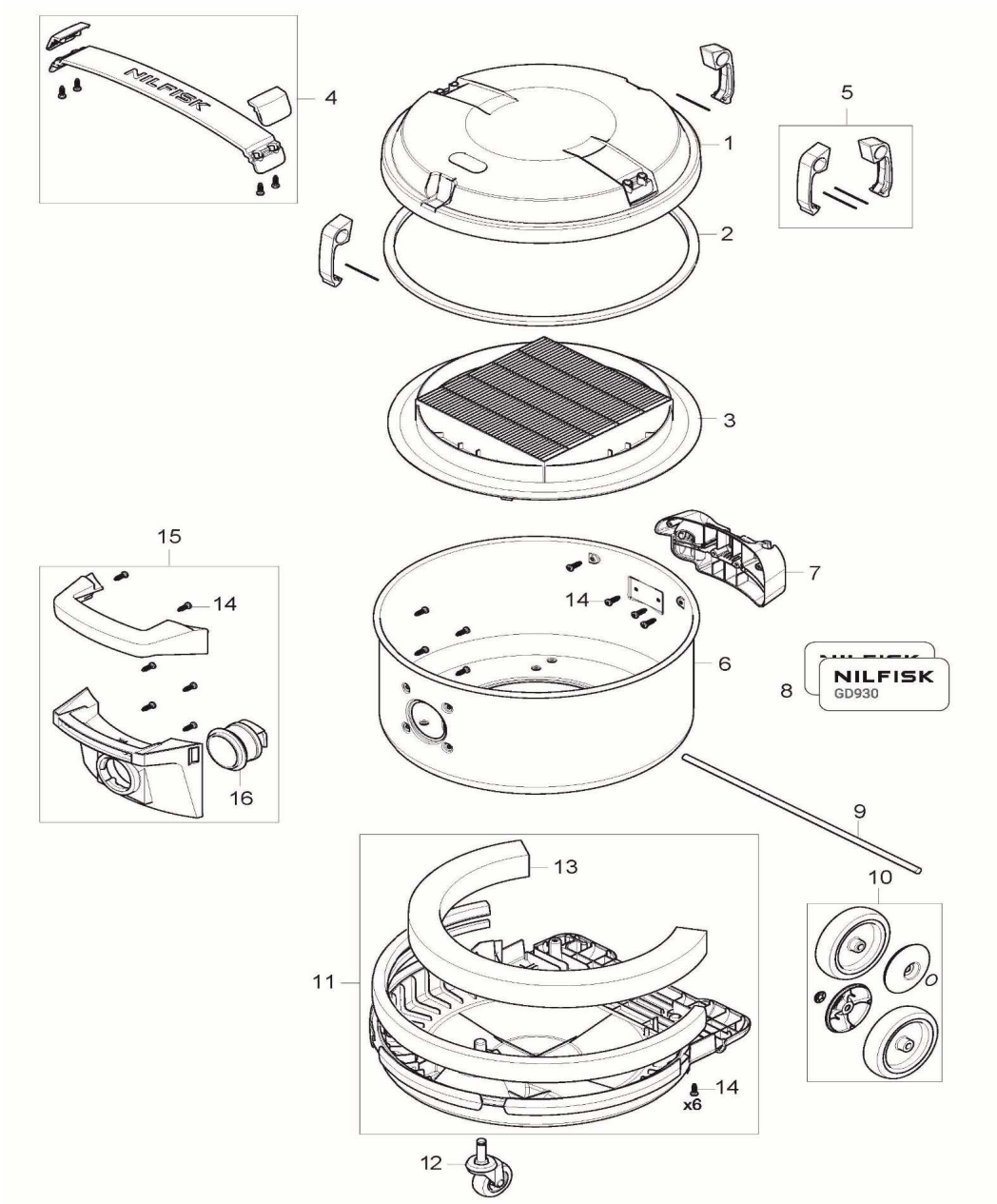
PARTS LIST

2024.01.10

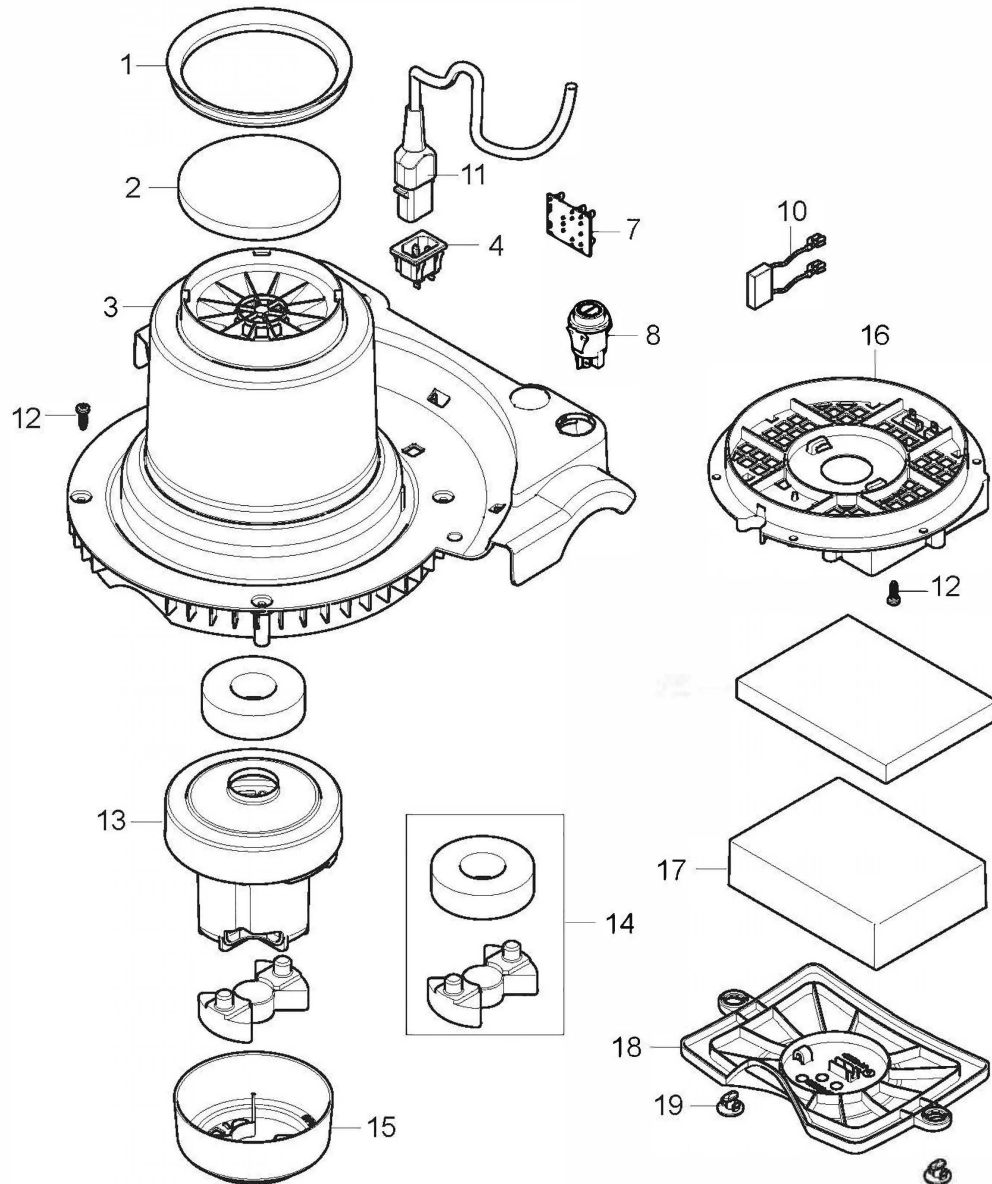
NILFISK

TABLE OF CONTENTS

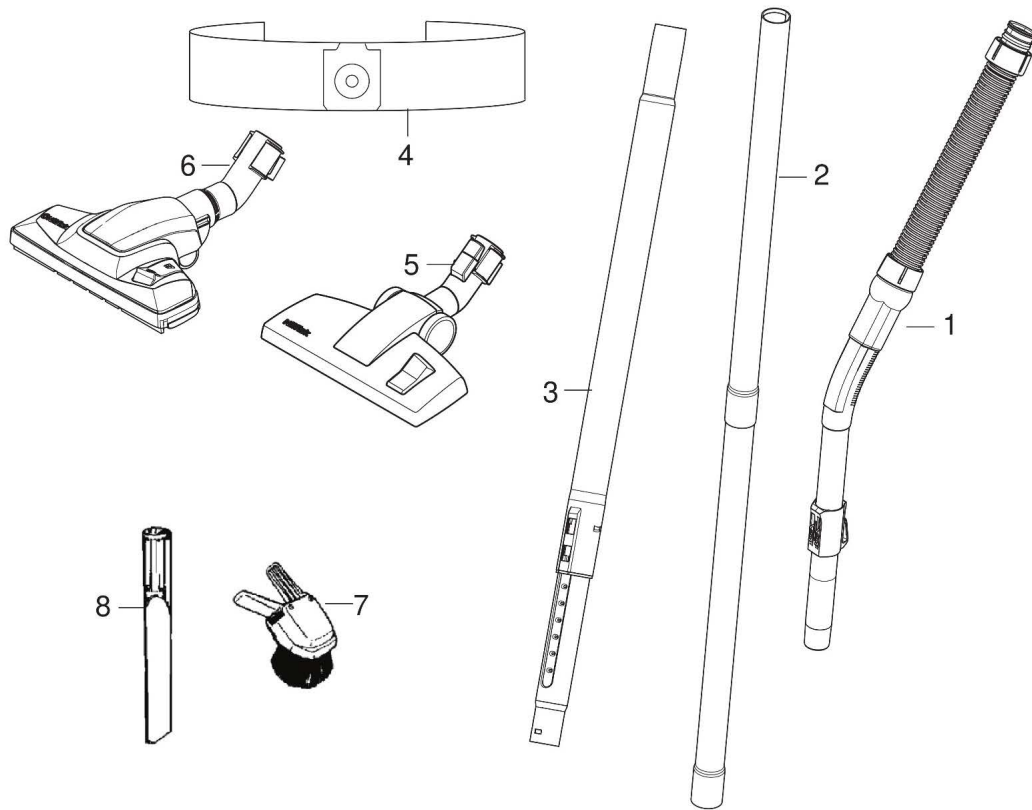
Top and container	1
Motor and electric	3
Accessories	5



Pos.	Product no	QTY	Description	Notes
1	107420867	1	LID BLACK	
2	140 0061 030	1	GASKET	
3	140 2666 010	1	HEPA FILTER	
4	107420877	1	BELT BLACK KIT	
5	107420874	1	LATCHES KIT	
6	107420889	1	VP930 PRO CONTAINER CHROMED	
7	107420870	1	SUPPORT BLACK (VP/GD930)SUPPORT BLACK	
8	107420890	1	DECAL NILFISK VP930 PRO HEPA	
9	140 5059 000	1	SHAFT L 369MM DIAM. 8MM SHAFT L 369MM DIAM. 8MM	
10	140 5055 500	1	WHEEL REAR 2-P 930-SERIES	
11	107418905	1	BOTTOM PLATE KIT VP930 BLACK	
12	140 7025 500	1	WHEEL FRONT 1-P	
13	140 7022 500	1	MUFFLER STRIP	
14	140 9214 070	10	SCREW PTK 50X14	
15	140 7800 500	1	HANDLE KIT	
16	140 7013 000	1	INLET	



Pos.	Product no	QTY	Description	Notes
1	107418901	1	GASKET FILTER SEAL	
2	140 1535 510	1	MOTOR FILTER	
3	107420895	1	VP930 PRO STAND SD	
4	107420897	1	POWER INLET C14	
7	140 7024 500	1	BOARD ANTI STATIC	
8	107408927	1	SWITCH ON/OFF 930-SERIES	
10	140 8166 010	1	CAPACITOR	
11	107402901	1	DETACH CORD SET 15M ORANGE EU	
12	140 9214 070	1	SCREW PTK 50X14	
13	107418907	1	FAN UNIT 220-240V 450W	
14	107418908	1	MOTOR SUPPORT	
15	107418909	1	ADAPTER F. TURBINE VP930	
16	107418911	1	FILTER HOLDER W.INSERTS VP930	
17	107420708	1	FOAM EXHAUST VP930	
18	107418913	1	LID F. BOTTOM VP930 BLACK	
19	107413069	2	Q TURN	



Pos.	Product no	QTY	Description	Notes
1	140 2782 500	1	HOSE ALU.HANDLE D32 1.9 M	
2	011 6431 500	2	EXTENSION TUBE ALUMINIUM	
3	011 8130 500	1	TELESCOPIC TUBE ALUMINIUM	
4	107420630	1	107420630	
5	011 3104 500	1	SMALL COMBI NOZZLE	
6	140 6700 540	1	NOZZLE MULTI SURFACE 32 MM	
7	011 3104 500	1	SMALL COMBI NOZZLE	
8	010 3098 500	1	CREVICE NOZZLE	

