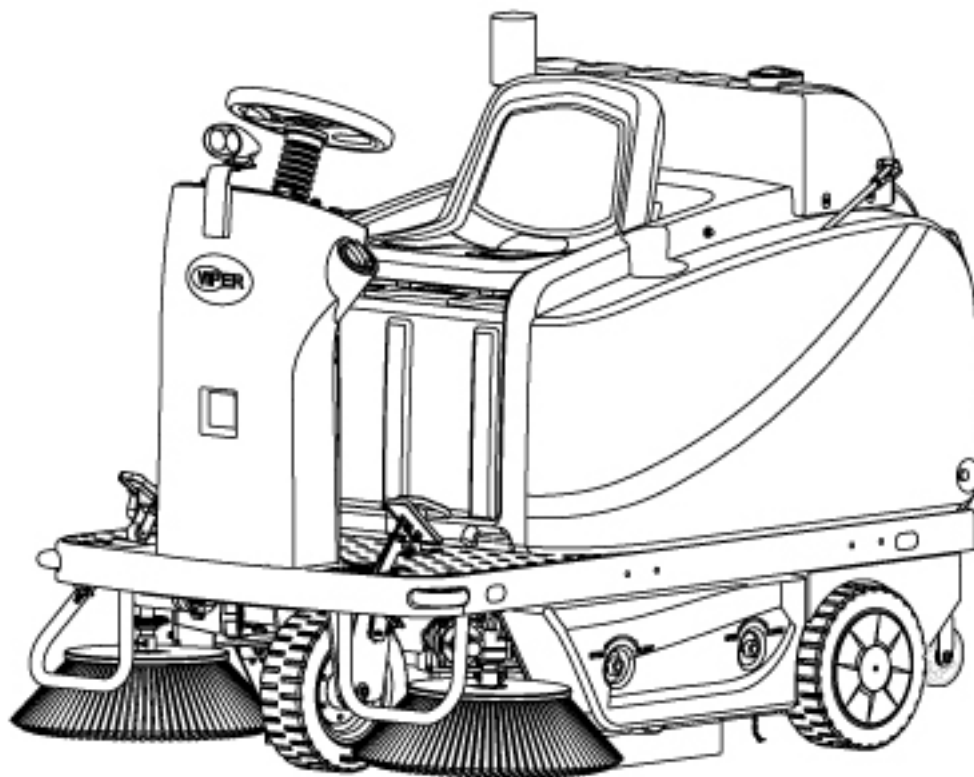


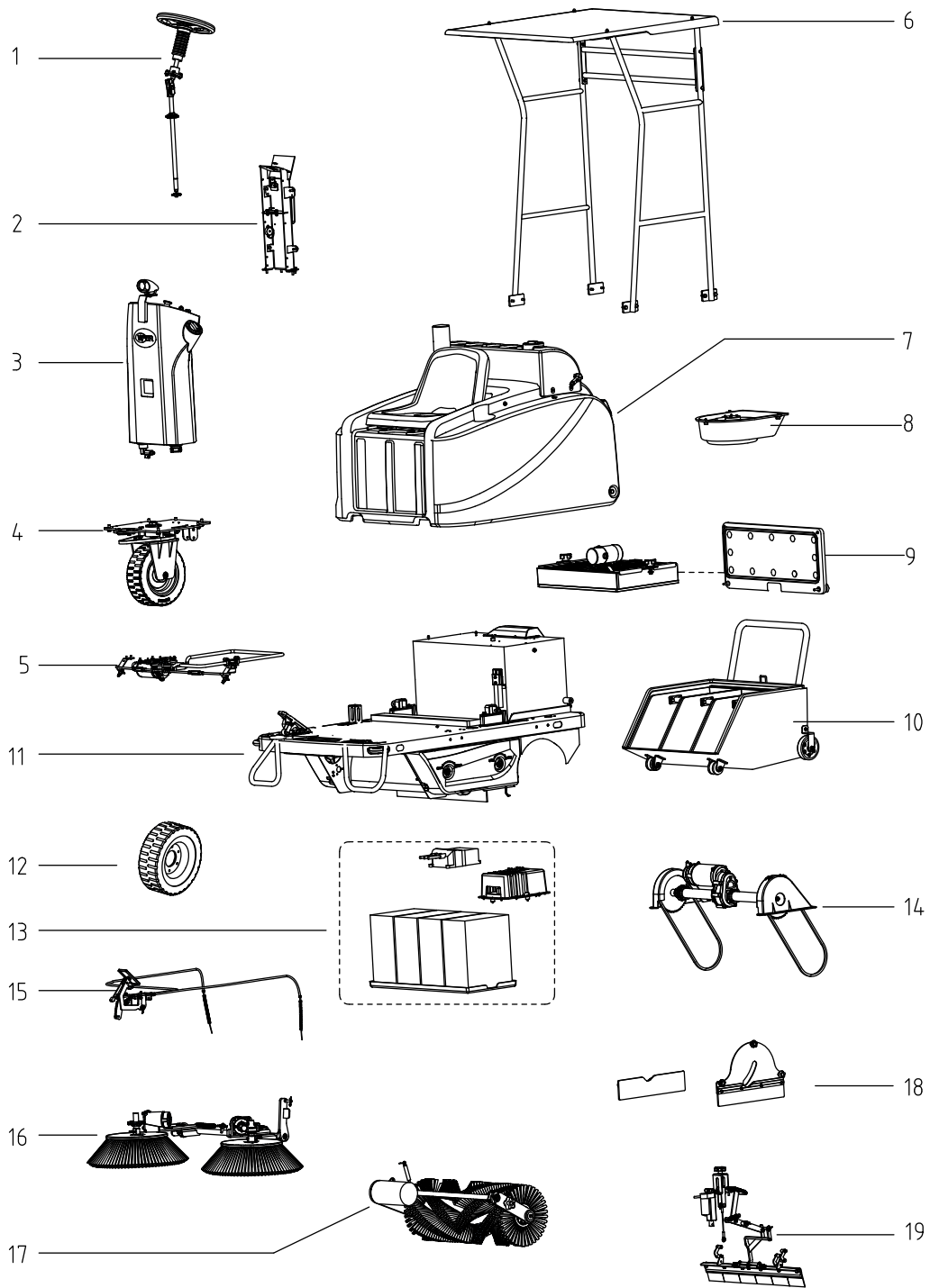
PARTS LIST



2024.01.22

TABLE OF CONTENTS

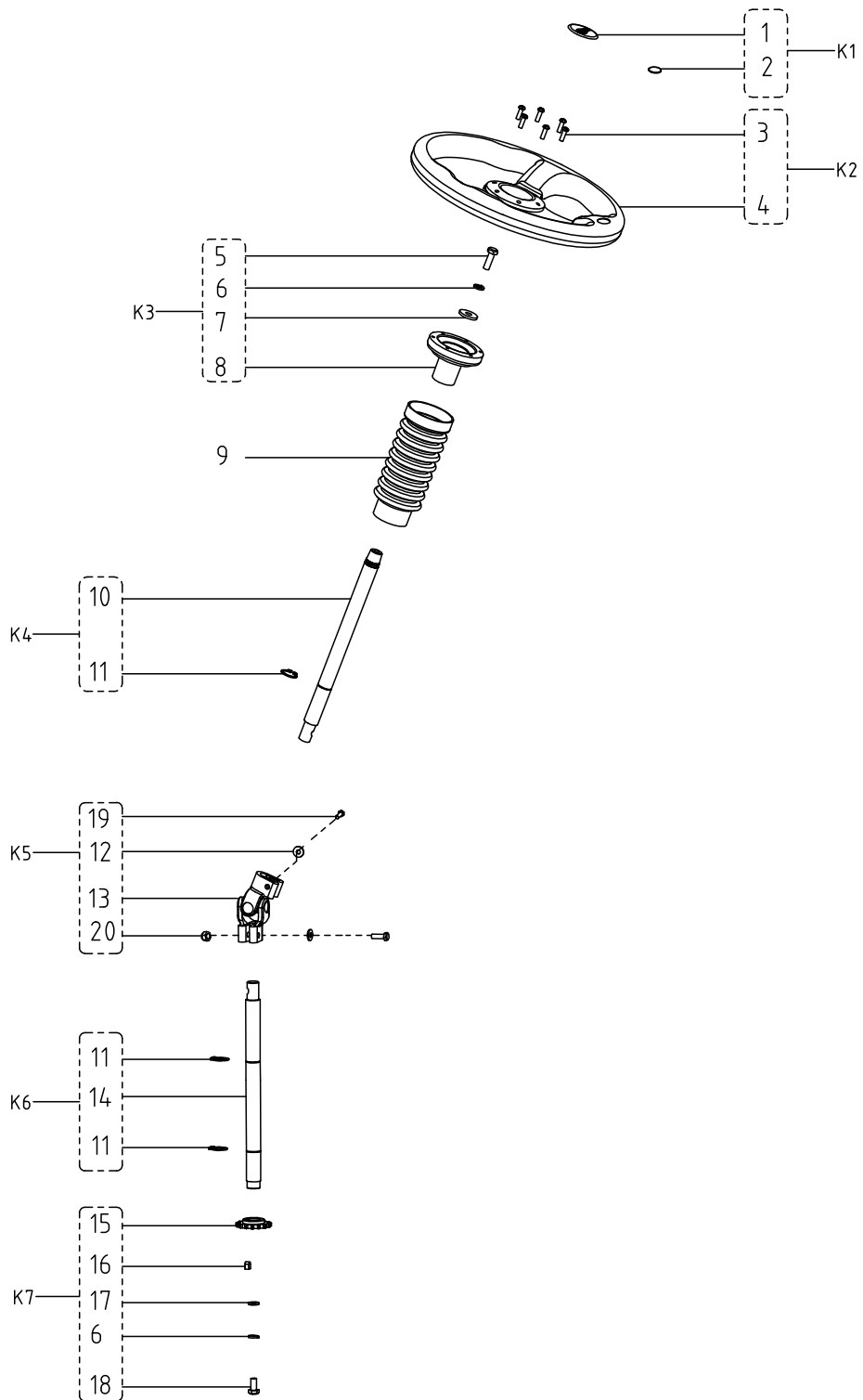
General view	1
Direction control	3
Front main frame	5
Control housing	7
Control housing (Continue)	9
Front wheel	11
Spray water	13
Overhead guard	15
Cover	17
Vacuum motor lid	19
Filter shaker	21
Hopper	23
Chassis	25
Chassis (Continue)	27
Rear wheel	29
Power supply and control	31
Drive assembly	33
Brake	35
Side broom	37
Main broom	39
Main broom (Continue)	41
Main broom closing adjustment	43
Main broom closing (Continue)	45
Front flap	47
Other electric parts	49
Main connecting wire	51
Recommended spare parts	53



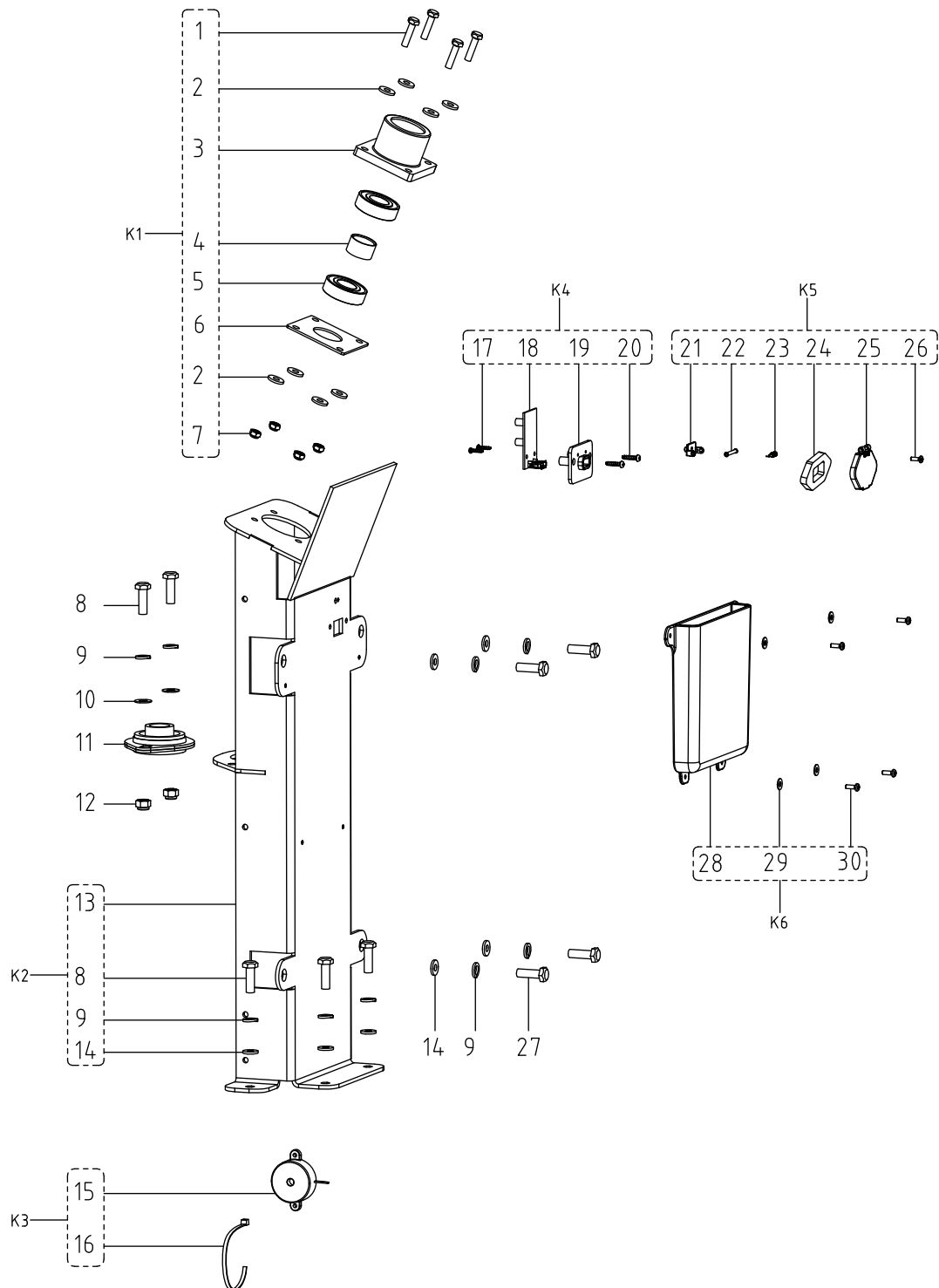
Pos.	Product no	QTY	Description	Notes
1		1	DIRECTION CONTROL ASSEMBLY	[1]
2		1	FRONT MAIN FRAME ASSEMBLY	[2]
3		1	CONTROL HOUSING ASSEMBLY	[3]
4		1	FRONT WHEEL ASSEMBLY	[4]
5		1	SPRAY WATER ASSEMBLY	[5]
6		1	OVERHEAD GUARD ASSEMBLY	[6]
7		1	COVER ASSEMBLY	[7]
8		1	VACUUM MOTOR LID ASSEMBLY	[8]
9		1	FILTER SHAKER ASSEMBLY	[9]
10		1	HOPPER ASSEMBLY	[10]
11		1	CHASSIS ASSEMBLY	[11]
12		1	REAR WHEEL ASSEMBLY	[12]
13		1	POWER SUPPLY AND CONTROL ASSEMBLY	[13]
14		1	DRIVE ASSEMBLY	[14]
15		1	BRAKE ASSEMBLY	[15]
16		1	SIDE BROOM ASSEMBLY	[16]
17		1	MAIN BROOM ASSEMBLY	[17]
18		1	MAIN BROOM CLOSING ASSEMBLY	[18]
19		1	FRONT FLAP ASSEMBLY	[19]

Part Notes:

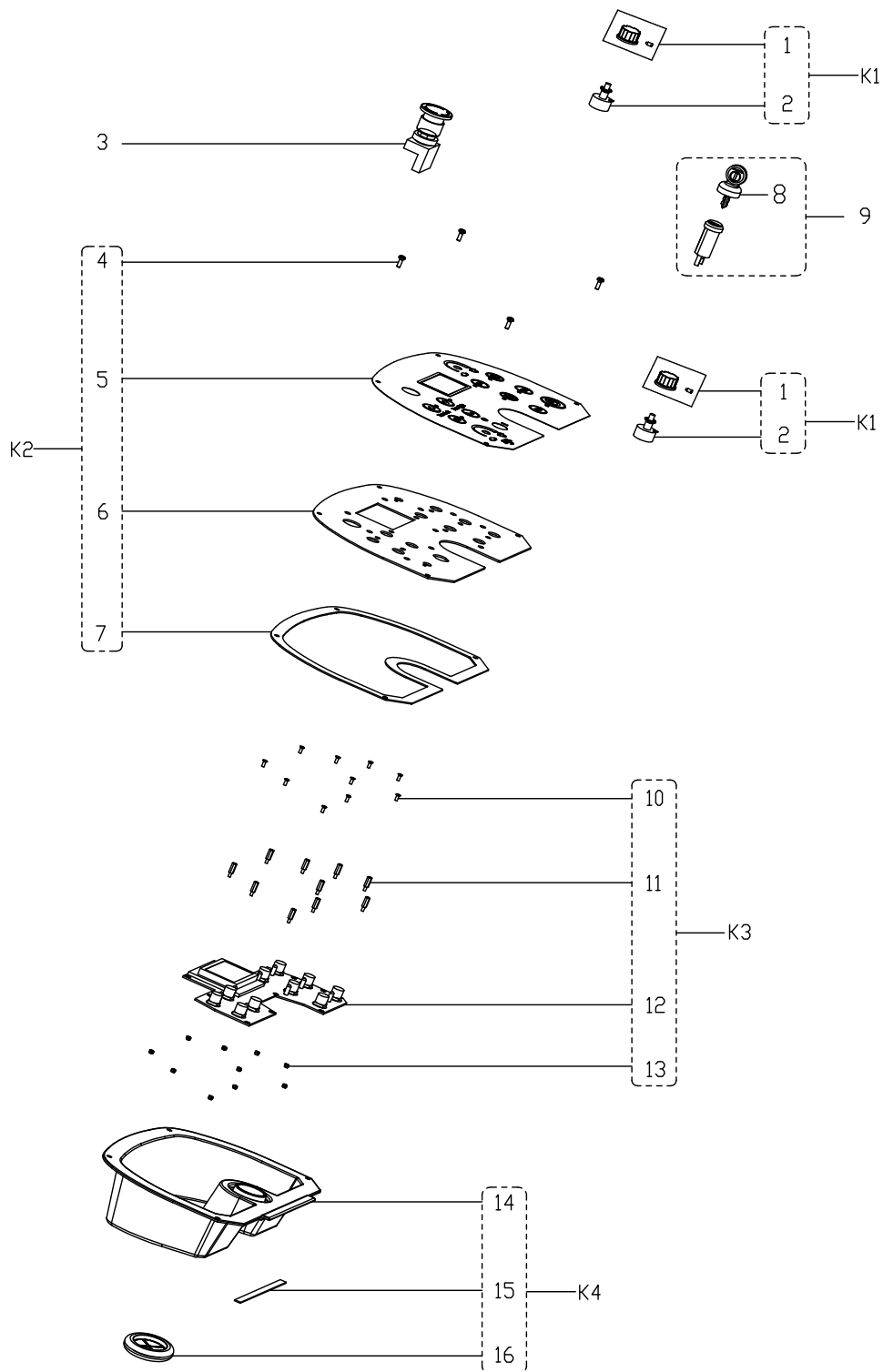
- [1] - Direction control
- [2] - Front main frame
- [3] - Control housing
Control housing (Continue)
- [4] - Front wheel
- [5] - Spray water
- [6] - Overhead guard
- [7] - Cover
- [8] - Vacuum motor lid
- [9] - Filter shaker
- [10] - Hopper
- [11] - Chassis
Chassis (Continue)
- [12] - Rear wheel
- [13] - Power supply and control
- [14] - Drive assembly
- [15] - Brake
- [16] - Side broom
- [17] - Main broom
Main broom (Continue)
- [18] - Main broom closing adjustment
Main broom closing (Continue)
- [19] - Front flap



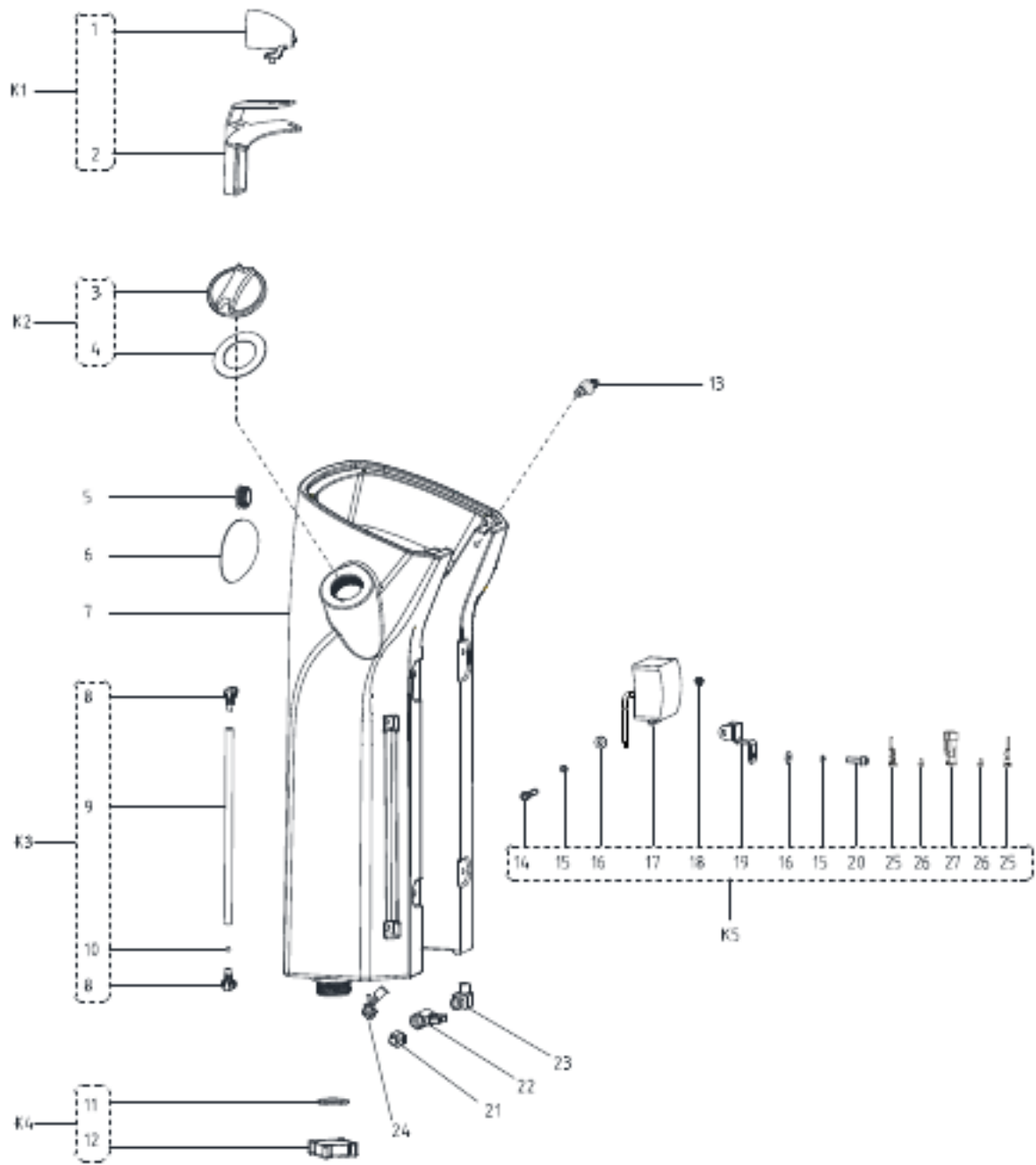
Pos.	Product no	QTY	Description	Notes
1		1	LOGO CIRCULAR STEERING WHEEL	
2		1	LOGO OVAL STEERING WHEEL	
3	VR34031	6	SCREW BLACK M5 X 16	
4		1	STEERING WHEEL	
5	VA13491	1	SCREW M8 X 25	
6	VF13519	2	WASHER SPRING ID8	
7		1	WASHER Ø8.4*Ø26.3	
8	VR10034	1	LOCK CONE BLOCK	
9	VR34014	1	STEERING WHEEL AXIS SHEATH	
10		1	SHAFT STEERING WHEEL L.292MM	
11	VR11308	3	RETAINING RING	
12	VF13514A	2	WASHER PLAIN 8X16.5X1	
13		1	UNIVERSAL JOINT	
14		1	SHAFT STEERING WHEEL L.510.5MM	
15		1	SPROCKET T15	
16		1	KEY SQUARE	
17	VF13542	1	WASHER PLAIN M8X26X2	
18	VV13604	1	SCREW M8X20	
19	VF14251	2	SCREW M8X30	
20	VF14516	2	NUT LOCK M8	
K1	VR24084	1	KIT STEERING WHEEL LOGO	
K2	VR34041	1	KIT STEERING WHEEL	
K3	VR10039	1	KIT STEERING WHEEL LOCK	
K4	55940898	1	SHAFT STEERING WHEEL KIT UPPER	
K5	VR41431	1	UNIVERSAL JOINT KIT	
K6	55940883	1	SHAFT STEERING WHEEL KIT LOWER	
K7	VR41432	1	SPROCKET KIT	



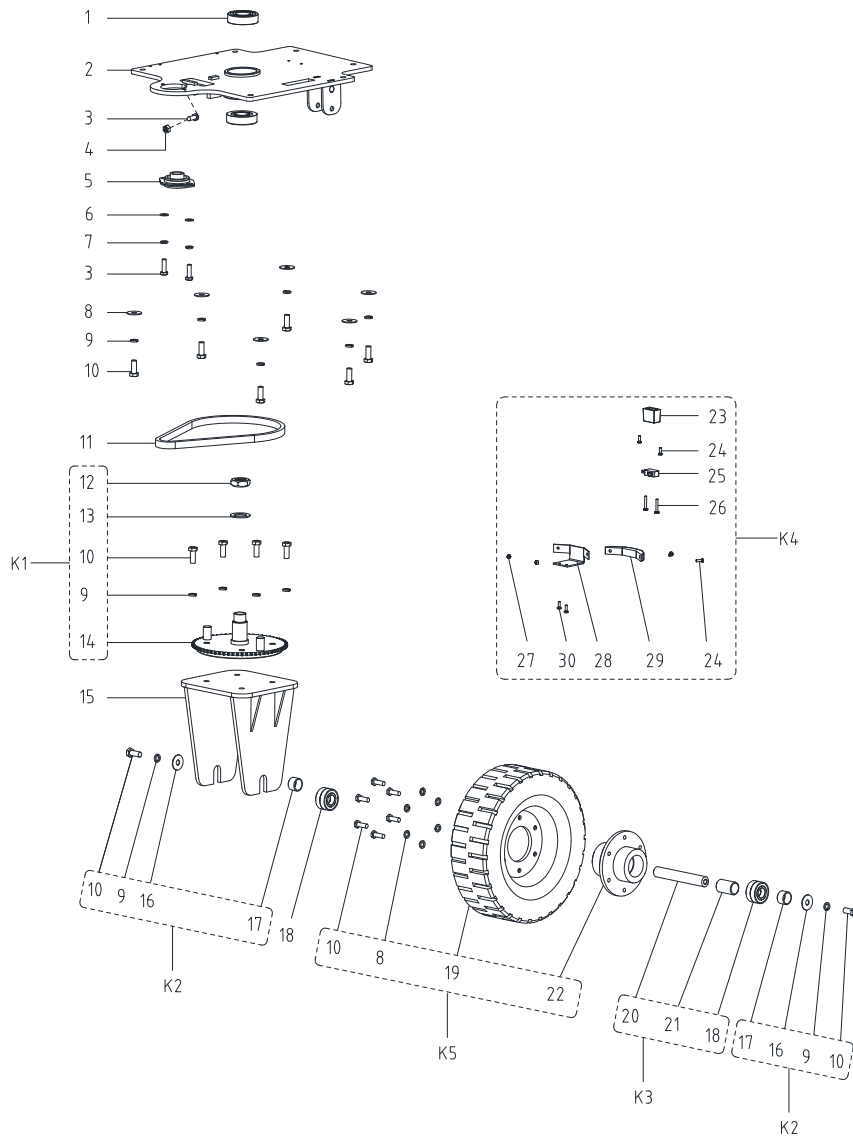
Pos.	Product no	QTY	Description	Notes
1	VV20058	4	HHC SCREW M6X25	
2	VF13533	8	WASHER PLAIN M6X16X2	
3	VR12002	1	BRACKET FIXED BEARING	
4	VR12008	1	SPACER BUSHING	
5	VF14075	2	BEARING 6004 2RS	
6	VR12003	1	PLATE FIXED BEARING	
7	VF14506	4	NUT LOCK SS M6	
8	VA13491	6	SCREW M8 X 25	
9	VF13519	10	WASHER SPRING ID8	
10	VF13514A	2	WASHER PLAIN 8X16.5X1	
11	VR11006	1	BRARING	
12	VF14516	2	NUT LOCK M8	
13		1	FRONT MAIN FRAME	
14	VF13535	8	WASHER PLAIN M8X20 X2	
15	VR12014	1	BUZZER	
16	RD20652	1	CABLE TIE	
17		2	SCREW M3X11	
18		1	USB PCB	
19		1	PLATE USB FIXED	
20	VA13477	2	SCREW M4*15	
21		1	USB BRIDGE	
22		1	SHAFT	
23		1	SPRING TORSIONAL	
24		1	GASKET USB	
25		1	COVER POWER SUPPLY	
26		1	SCREW M3	
27	55940356	4	SCREW SOCKET M8X20 SS	
28		1	BAG MOBILE PHONE	
29	VV13664	4	WASHER PLAIN DIA.4	
30		4	SCREW M4X8	
K1	VR24071	1	KIT BEARING BASE	
K2	55940870	1	FRONT MAIN FRAME KIT	
K3	VR34052	1	KIT BUZZER	
K4	VR34053	1	KIT USB PCB	
K5	55940874	1	COVER USB KIT	
K6	55940880	1	PHONE STORAGE KIT	



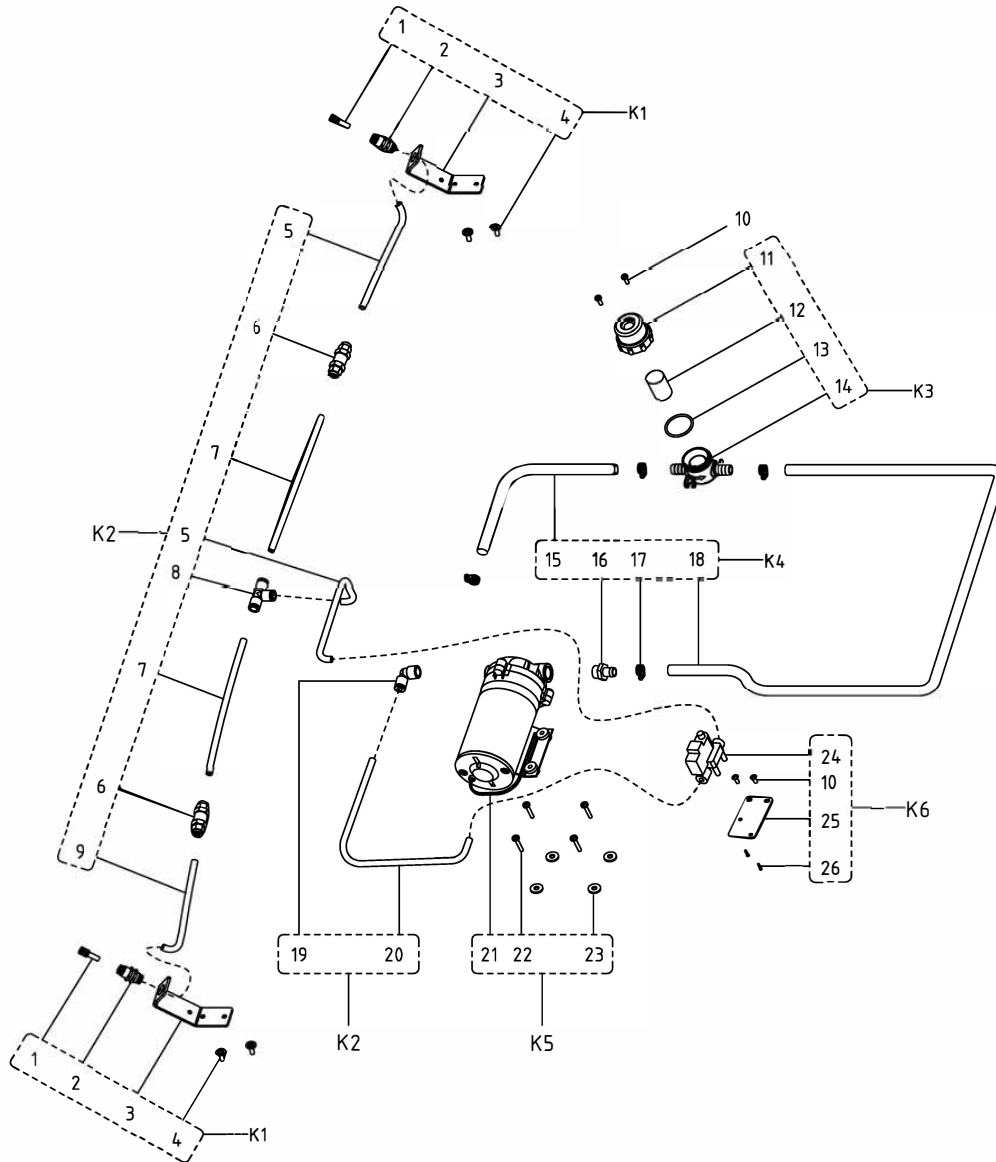
Pos.	Product no	QTY	Description	Notes
1	VF81730	2	POTENTIOMETER KNOB	
2	VR27030	2	POTENTIOMETER COMPONENT	
3	VR13132	1	EMERGENCY-STOP BUTTON	
4		4	SCREW M4X15	
5		1	LABEL CONTROL BOARD	
6		1	PANEL RACK	
7		1	GASKET ADHESIVE EVA	
8	146 2887 000	1	KEY 2 PCS	
9	9100001354	1	SWITCH IGNITION STARTER WITH CAP SIP	
10		10	SCREW M3X8	
11	VR34015	10	PCB ISOLATION COLUMN	
12		1	PCB MAIN CONTROL	
13		10	NUT LOCK M3	
14		1	DUST-PROOF BOX	
15		1	GASKET ADHESIVE EVA L.167MM	
16		1	CABLE SLEEVE	
K1	VR24079	2	SPEED POTENTIOMETER	
K2	55940884	1	CONTROL PANEL KIT	
K3	55940885	1	PCB MAIN CONTROL KIT	
K4	55940886	1	DUST-PROOF BOX KIT	



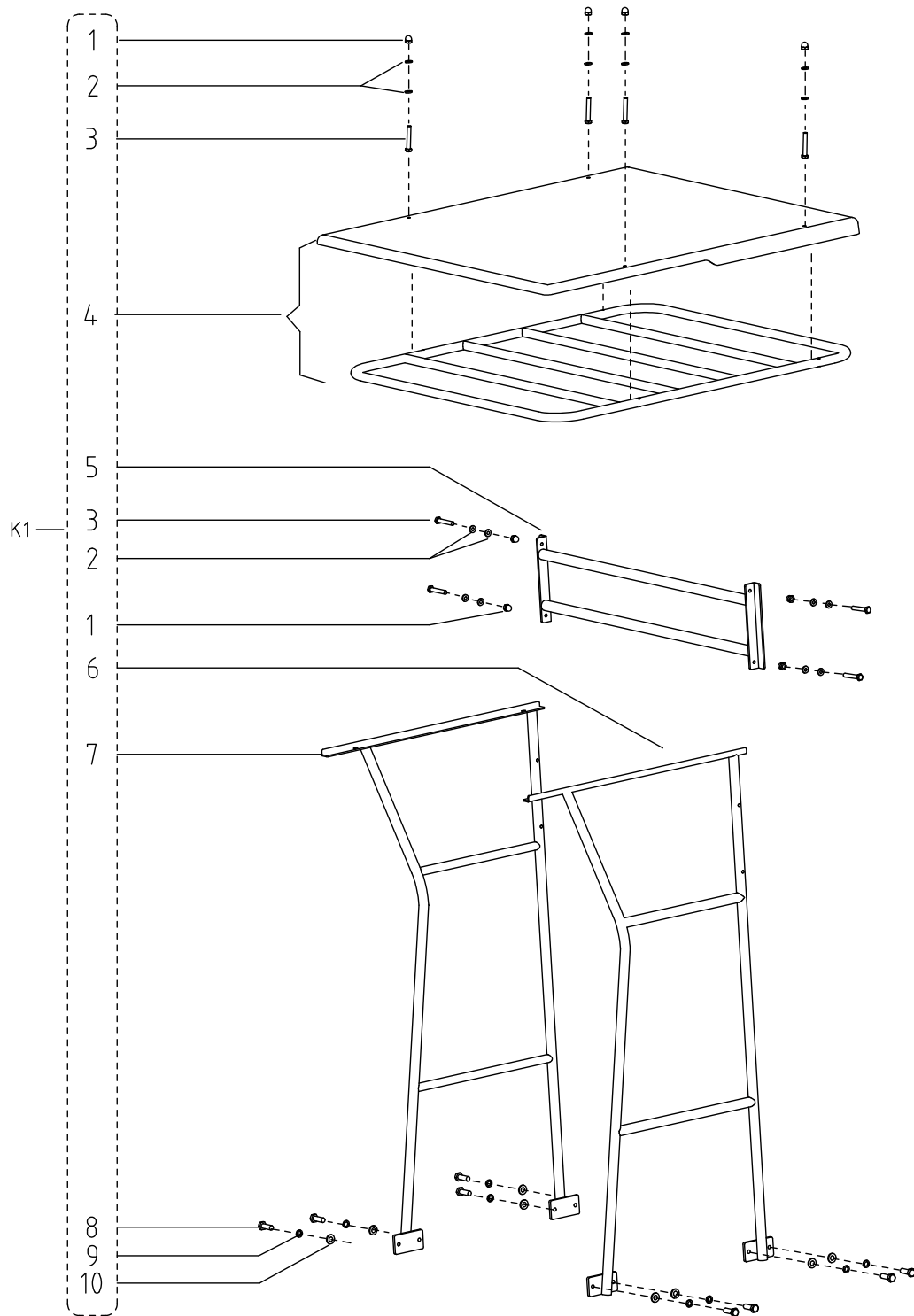
Pos.	Product no	QTY	Description	Notes
1		1	BLUE LIGHT	
2		1	BRACKET FOR BLUE LIGHT	
3		1	COVER FILTER	
4		1	SEAL GASKET	
5	VF85128	1	BLOCK	
6	VF90011	1	LOGO LABEL	
7	55940357	1	TANK HOUSING CONTROL	
8	RD60764	2	ELBOW 90DEG PLASTIC	
9		1	SIGHT TUBE PU L300MM	
10	VF90613	1	FLOATING BALL OF WATER LEVEL	
11	VF90513	1	O-RING OUTLET	
12	VF90507	1	OUTLET COVER	
13	55940358	1	VALVE ONE-WAY	
14	VF13633	1	SCREW M6 X 35	
15	VV13607	2	WASHER LOCK M6	
16	VF13533	2	WASHER PLAIN M6X16X2	
17		1	FRONT LIGHT	
18	VF14506	1	NUT LOCK SS M6	
19		1	BRACKET LIGHT	
20	VF13498	1	SCREW M6X20	
21	VF80313	1	CONNECTOR BRASS	
22	VF80361	1	BALL VALVE	
23	VF90609	1	ELBOW 90DEG BRASS	
24	VR13431	1	SWITCH WATER LEVEL RECOVERY TANK	
25		2	Male terminal	
26		2	Rubber seal	
27		1	Female Housing	
K1	55940896	1	BLUE LIGHT WARNING KIT	
K2	55940887	1	COVER FILTER KIT	
K3	55940865	1	SIGHT TUBE KIT	
K4	VF90536	1	COVER KIT WATER OUTLET	
K5	55940864	1	FRONT LIGHT KIT	



Pos.	Product no	QTY	Description	Notes
1	55940359	2	BEARING BALL-7206 2RS	
2	55940360	1	FIXING PLATE-FRONT WHEEL-Q235	
3	VA13491	3	SCREW M8 X 25	
4	VF13513	1	NUT M8 SS	
5	VR11006	1	BRARING	
6	VF13514A	2	WASHER PLAIN 8X16.5X1	
7	VF13519	2	WASHER SPRING ID8	
8	VF13537	6	WASHER PLAIN M10XM26X2	
9	VF13518	18	WASHER LOCK F10	
10	VF14123	18	SCREW M10 X 25	
11	55940361	1	CHAIN ROLLER 06B	
12		1	NUT M24	
13		1	WASHER Ø24	
14		1	SPROCKET T13 45# GALV	
15	55940362	1	BRACKET FRONT WHEEL	
16		2	WASHER D10X30X2.5	
17		2	SLEEVE FRONT WHEEL SS	
18	ZD45425	4	BEARING 6204 LU	
19	55940340	1	WHEEL	
20		1	SHAFT-FRONT WHEEL-D.20XL.139MM	
21		1	RING F SHAFT D.20	
22		1	BEARING SLEEVE	
23		1	BLOCK SWITCH	
24	VF13491	4	SCREW M4X12	
25	VF85507	1	MICO-SWITCH	
26	VV13623	2	SCREW ST3X18	
27		2	NUT LOCK M4	
28		1	BRACKET SENSOR SWITCH FIXING	
29		1	TOUCH BLOCK	
30	VF90235	2	SCREW TM4X10	
K1	55940890	1	DRIVE FRONT WHEEL KIT	
K1	55945931	1	DRIVE FRONT WHEEL KIT*CN	
K2	55940859	2	FRONT WHEEL HARDWARE KIT	
K3	55940897	1	FRONT WHEEL BEARING KIT	
K4	55940869	1	SLOW DOWN KIT	
K5	55945937	1	FRONT WHEEL KIT FIXINGFRONT WHEEL KIT FIXING	



Pos.	Product no	QTY	Description	Notes
1		2	SPRAY NOZZLE	
2		2	NOZZLE SNAP JOINT	
3		2	BRACKET NOZZLE	
4		4	SCREW M5X14	
5		2	HOSE L.350	
6	55940363	2	VALVE ONE-WAY	
7		2	HOSE L.150	
8		1	FAST CONNECTOR T-JUNCTION	
9		1	HOSE L.220	
10	VF90235	4	SCREW TM4X10	
11	VF90603	1	FILTER COVER	
12	55940364	1	FILTER NET 80 MESH SS	
13	VF90607	1	O-RING	
14	VF90604	1	HOUSING FILTER	
15		1	HOSE PU L.500	
16	VF80313	1	CONNECTOR BRASS	
17	VV10114	4	CLAMP	
18		1	HOSE PU L.1150	
19		1	FAST CONNECTOR	
20		1	HOSE L.450	
21		1	PUMP	
22	VA13475	4	SCREW M5X25	
23	VF13532	4	WASHER PLAIN M5	
24		1	SWITCH PUMP HIGH-PRESSURE	
25		1	FIXING PLATE F PUMP HIGH-PRESSURE SWITCH	
26		2	SCREW M3X11	
K1	55940891	2	SPRAY NOZZLE KIT	
K2	55940892	1	SPRAY HOSE KIT	
K3	55940857	1	FILTER KIT 82X46X62 PA	
K4	55940893	1	FILTER HOSE KIT	
K5	55940894	1	PUMP KIT	
K6	55940856	1	SWITCH PUMP HIGH-PRESSURE KIT	



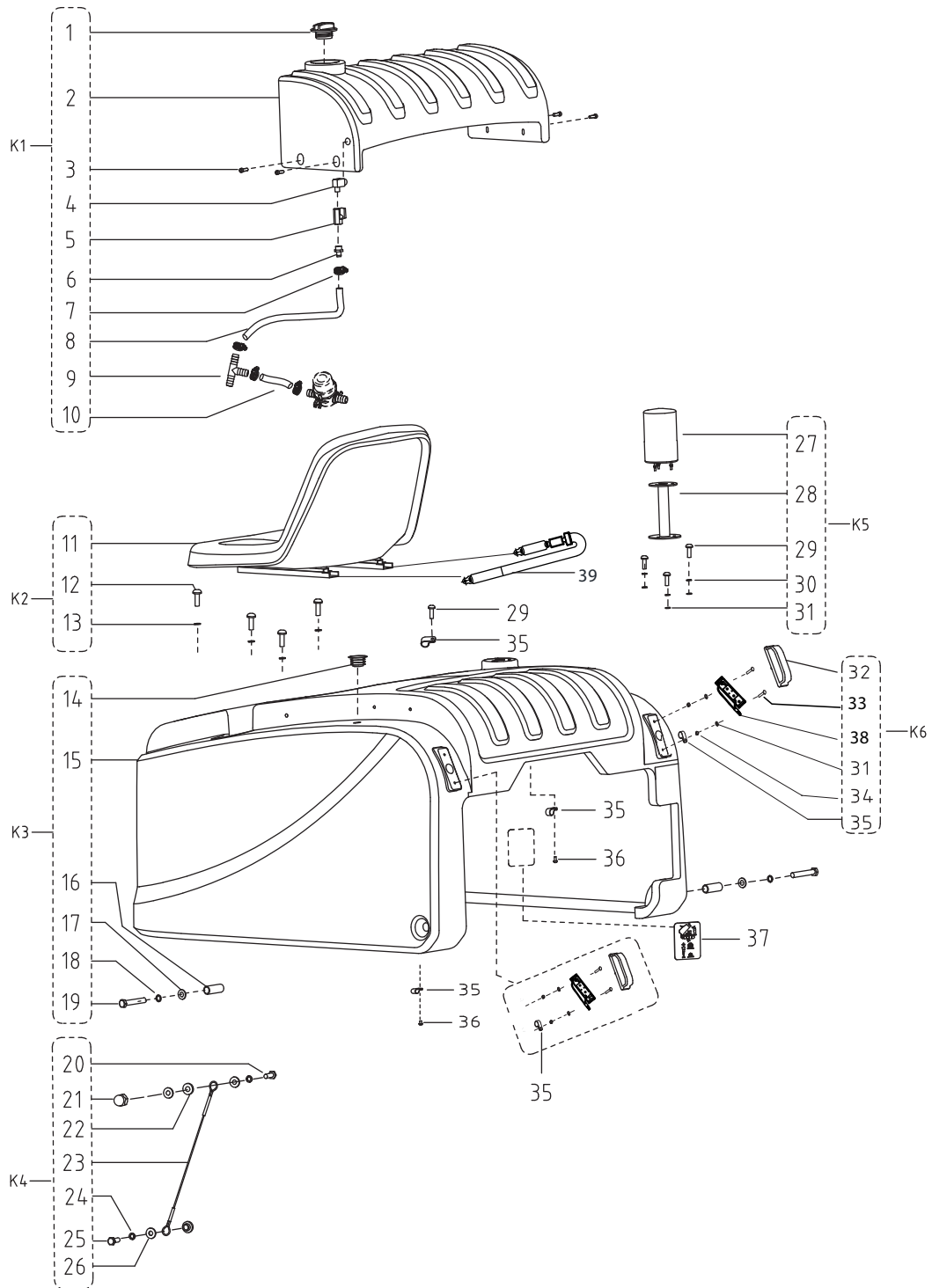
Overhead guard

ROS1300 B

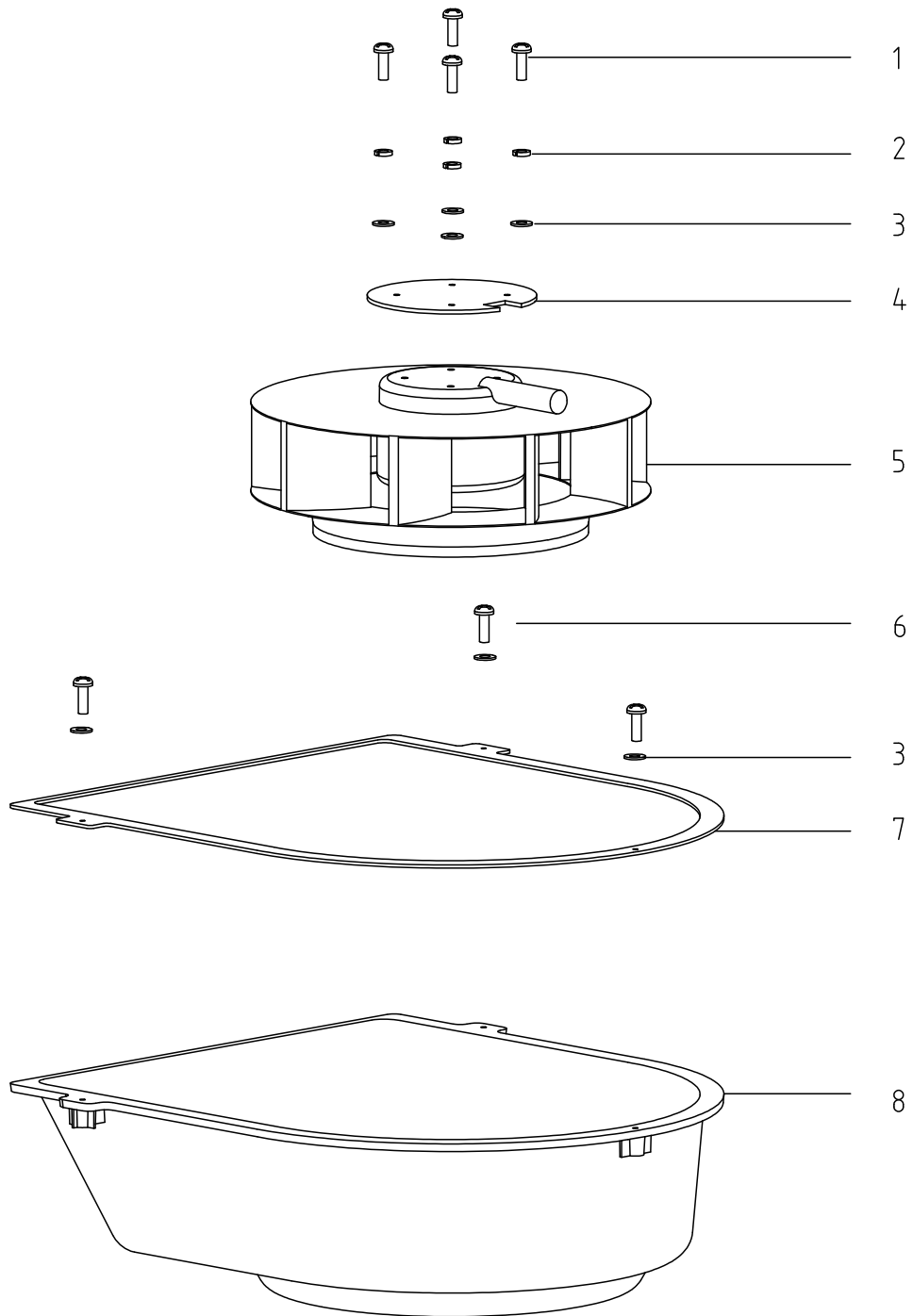
2021.10.25

2021.11.15

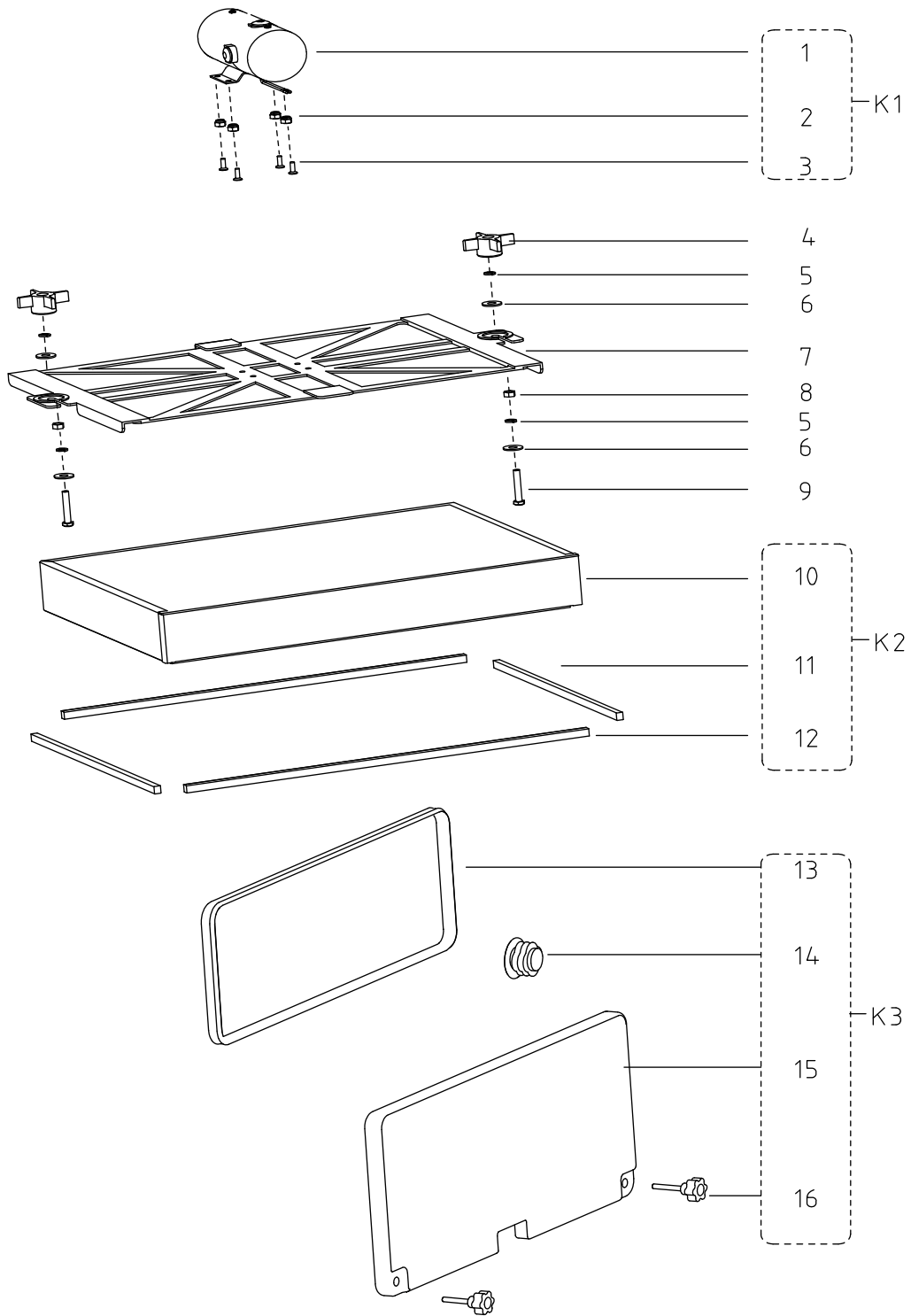
Pos.	Product no	QTY	Description	Notes
1	VF14516	8	NUT LOCK M8	
2		16	WASHER 8.1X20X2	
3	VF13635	8	SCREW M8 X 50	
4		1	OVERHEAD GUARD	
5		1	FIXED BRACKET	
6		1	LEFT BRACKET	
7		1	RIGHT BRACKET	
8	VF13634	8	BOLT M10X30	
9	VF13518	8	WASHER LOCK F10	
10	VF13517	8	WASHER PLAIN F10XF20X2.5	
*K1	55940412	1	OVERHEAD GUARD KIT	



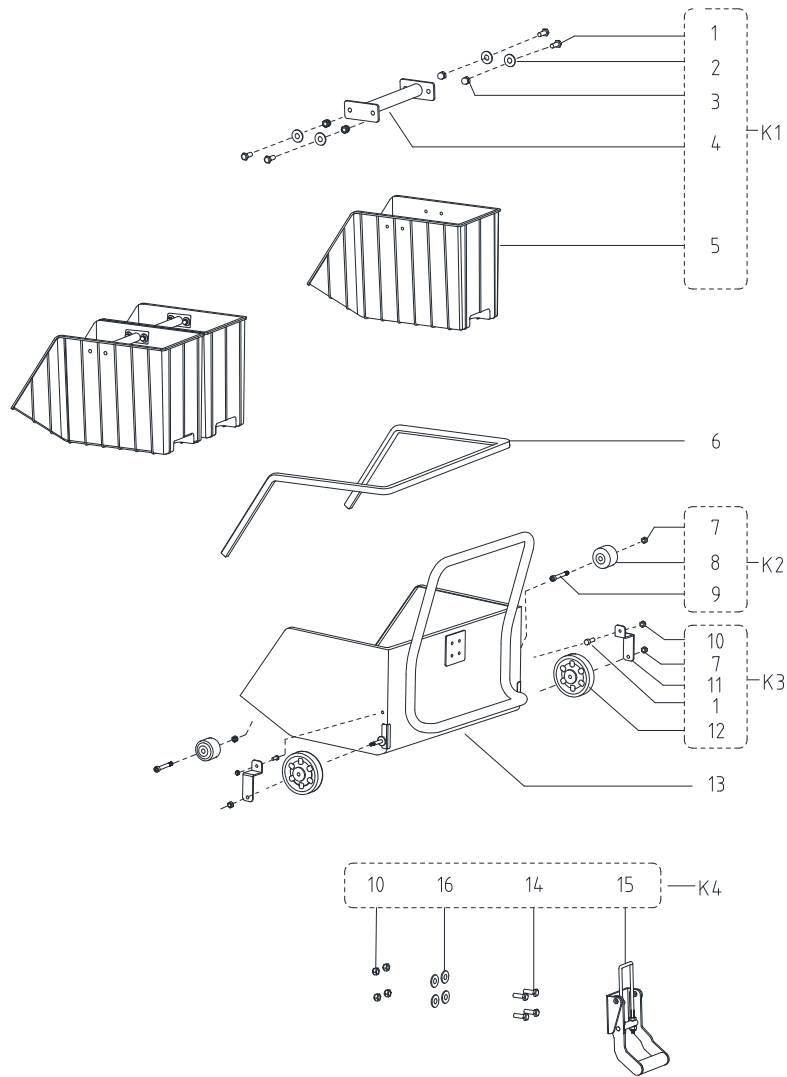
Pos.	Product no	QTY	Description	Notes
1	55940549	1	LID	
2		1	TANK	
3	GT13015	4	SCREW HEXAGON M6X30	
4	VF90609	1	ELBOW 90DEG BRASS	
5	VF80361	1	BALL VALVE	
6	VF80313	1	CONNECTOR BRASS	
7	VV10114	4	CLAMP	
8		1	TUBE ID20	
9		1	THREE WAY TUBE	
10		1	TUBE ID20	
11		1	SEAT	
12		4	SCREW M8X20	
13		4	WASHER 8.1X20X2	
14	VF85127	1	CAP FOR KNOB	
15		1	COVER	
16		1	SPACER D.16X20 H.54	
17	VF13538	2	WASHER DIA.12	
18	VF13541	2	WASHER LOCK Ø12	
19		2	SCREW M12X80	
20		1	SCREW M6X30	
21		1	NUT M6	
22		2	SPACER D.6.2X10 H.7.7	
23	VR17008	1	RECOVERY TANK PULL CABLE	
24	VV13607	2	WASHER LOCK M6	
25	VF14233	1	SCREW M6 X 20	
26	VF14543	3	WASHER DIA.6XDIA.18X1.5	
27		1	WARNING LIGHT	
28		1	BRACKET WARNING LIGHT	
29	VV13635	4	SCREW M5X20 SST PH	
30	VV13601	3	WASHER SPRING ID5	
31	VF13532	7	WASHER PLAIN M5	
32		2	TAILLIGHT	
33	VV13634	4	SCREW M5 X 30 SST PH	
34	VF14514	4	NUT LOCK M5	
35	VF85102	5	SMALL CLAMP	
36	VV50523	2	LINE PLUG	
37	55940938	1	LABEL	
38		2	TAILLIGHT BASE KIT	
39	VR41537	1	SEAT BELT KIT 1.3M	
*K1	55940458	1	TANK REAR KIT 12L	
K2	55940542	1	SEAT KIT	
K3	55940541	1	COVER KIT	
K4	55940537	1	CABLE KIT	
K5	55940539	1	WARNING LIGHT KIT	
K6	55940540	2	TAILLIGHT KIT	



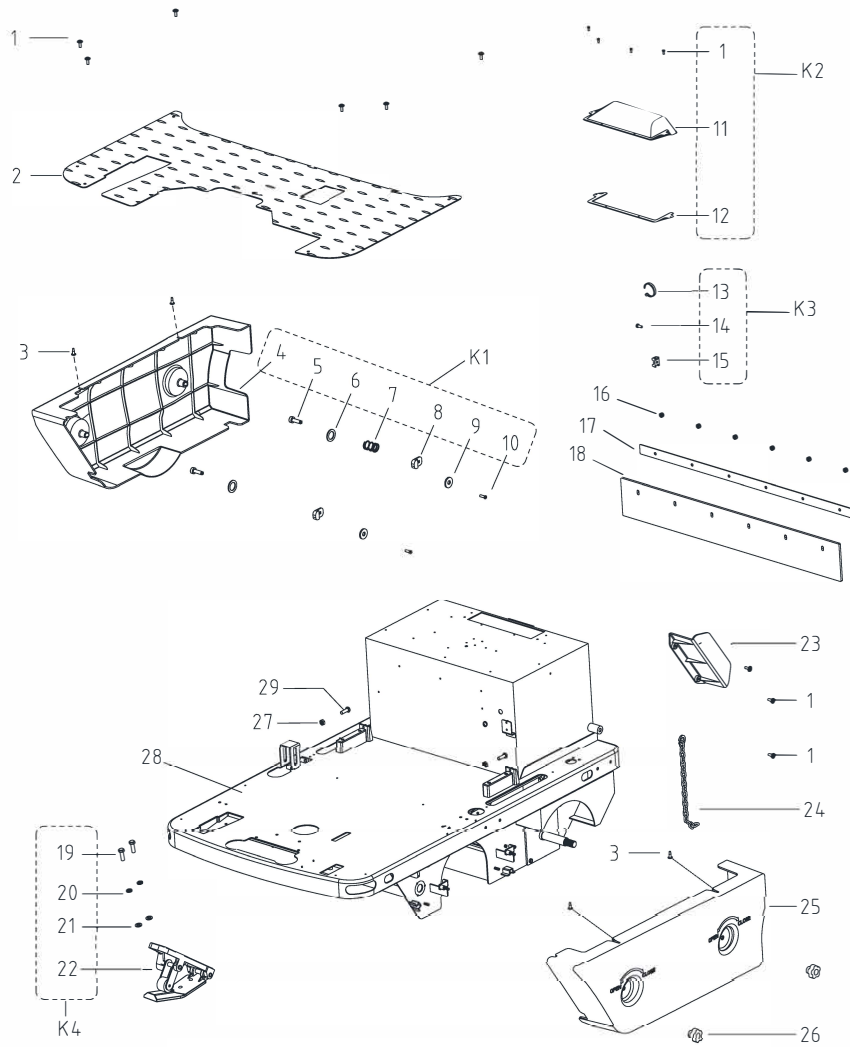
Pos.	Product no	QTY	Description	Notes
1	VF13491	4	SCREW M4X12	
2	VV13601	4	WASHER SPRING ID5	
3	VA13483A	7	WASHER PLAIN	
4	55940550	1	GASKET VACUUM MOTOR	
5	55940551	1	VACUUM MOTOR	
6	VA13477	3	SCREW M4*15	
7	55940552	1	GASKET VACUUM MOTOR LID	
8	55940553	1	LID VACUUM MOTOR	



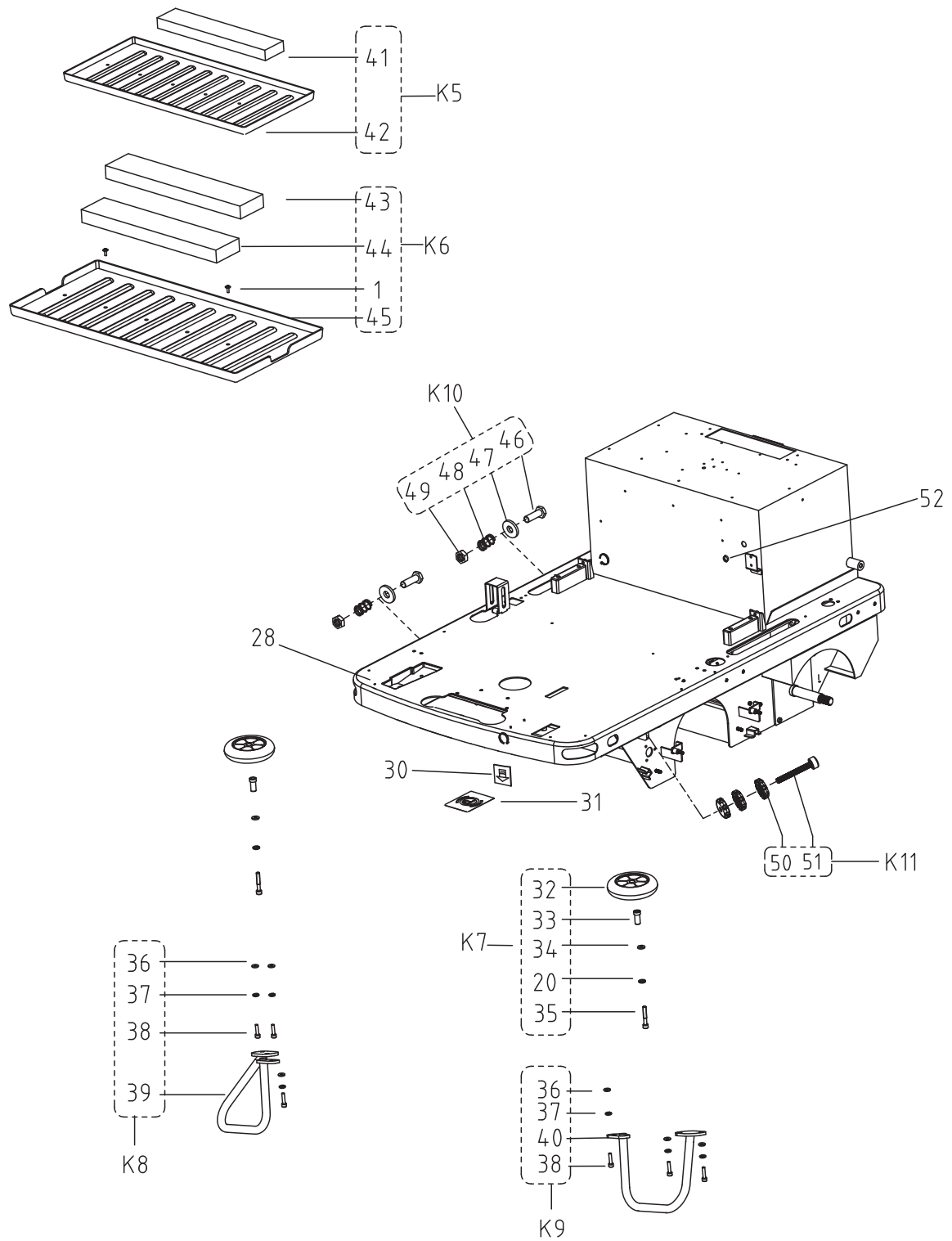
Pos.	Product no	QTY	Description	Notes
1		1	VIBRATION MOTOR	
2	VF14516	4	NUT LOCK M8	
3	VV13605	4	SCREW M6X16	
4	VF81210	2	THUMB NUT	
5	VF13519	4	WASHER SPRING ID8	
6	VF13535	4	WASHER PLAIN M8X20 X2	
7	55940554	1	BRACKET FILTER SHAKER	
8	VF13513	2	NUT M8 SS	
9	VF13635	2	SCREW M8 X 50	
10		1	FILTER 580X401X80 POLYESTER 3.5m ²	
11		2	GASKET L.400	
12		2	GASKET L.562	
13		1	GASKET	
14	VF85127	1	CAP FOR KNOB	
15		1	LID FILTER SHAKER	
16	55940479	2	KNOB KNURLED M8X40	
K1	55940547	1	VIBRATION MOTOR KIT	
K2	55940538	1	FILTER KIT 580X401X80 PES 3.5m ²	
K3	55940516	1	LID FILTER SHAKER KIT	



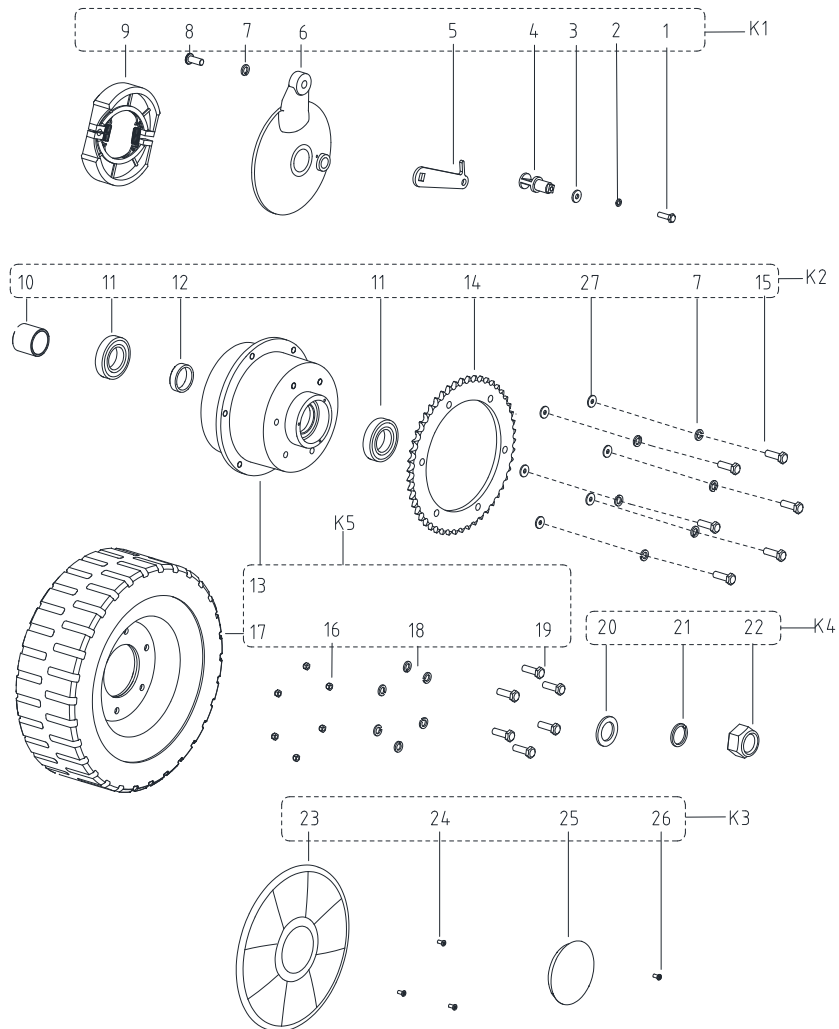
Pos.	Product no	QTY	Description	Notes
1	VV13604	12	SCREW M8X20	
2	VF13514A	12	WASHER PLAIN 8X16.5X1	
3	VA13490	12	NUT M8	
4		3	HANDLE CONTAINER	
5		3	INNER BOX	
6	55940453	1	GASKET L2.2m	
7	VF14547	4	NUT LOCK M10	
8		2	WHEEL D.63	
9		2	SCREW M10x75	
10	VF14516	6	NUT LOCK M8	
11		2	HOPPER REAR WHEEL SUPPORT BRACKET	
12		2	WHEEL D.126	
13	55940480	1	HOPPER	
14	VA13491	4	SCREW M8 X 25	
15		1	LATCH 165X60XT4	
16	VF13535	4	WASHER PLAIN M8X20 X2	
K1	55940439	3	MINI CONTAINER KIT	
K2	55940543	1	WHEEL D.63 KIT	
K3	55940544	1	WHEEL D.126 KIT	
K4	55940545	1	LATCH KIT	



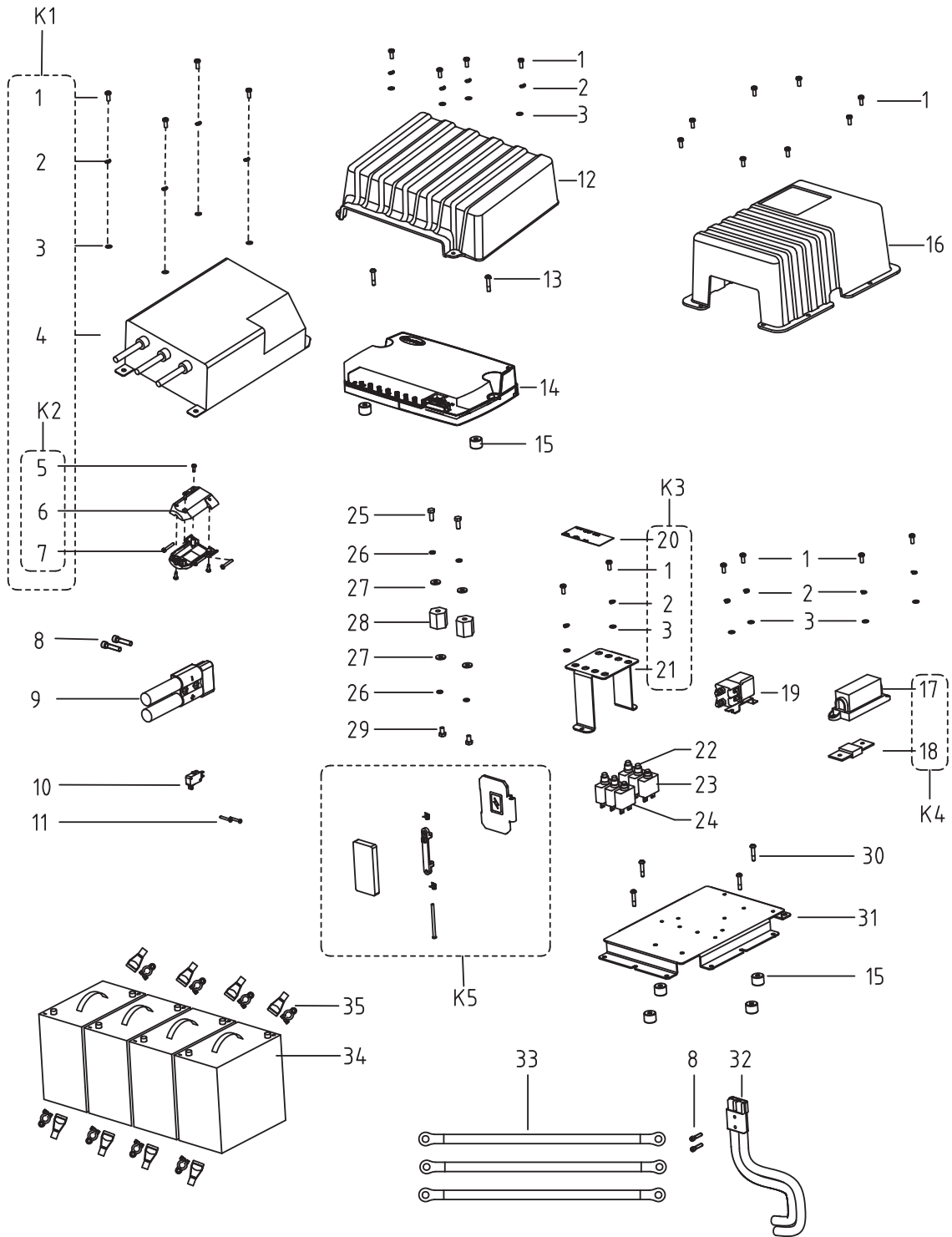
Pos.	Product no	QTY	Description	Notes
1	55940348	15	SCREW PWM5X14	
2	55946115	1	FOOT PLATE ANTISKID	
3	VS10516	4	STEP SCREW	
4		1	COVER RIGHT	
5		2	ROTATING ROD	
6		2	WASHER 20X30X2	
7		2	SPRING COMPRESSION	
8		2	LIMIT PLATE	
9	VF13532	2	WASHER PLAIN M5	
10	VF90235	2	SCREW TM4X10	
11		1	BRACKET AIR OUTLET	
12		1	GASKET AIR OUTLET	
13		20	TIE CABLE BLACK	
14		12	SCREW M5X12	
15	VF85428	12	HOLDER FLAT TIE	
16	VF14506	6	NUT LOCK SS M6	
17	55940366	1	STRAP MAIN BROOM REAR	
18	55940330	1	BLADE MAIN BROOM REAR NBR	
19		2	SCREW SOCKET M8X20 SS	
20	VF13519	4	WASHER SPRING ID8	
21	VF13514A	2	WASHER PLAIN 8X16.5X1	
22	VR13002	1	ACCELERATOR PEDAL	
23	55940331	1	GUARD BOARD CHAIN	
24	55940332	1	STATIC CHAIN	
25	55940333	1	COVER LEFT	
26	VF89510	2	KNOB SQUEEGEEKNOB SQUEEGEE	
27	VF13513	2	NUT M8 SS	
28	55940334	1	CHASSIS	
29	VA13491	2	SCREW M8 X 25	
K1	55940936	1	SCREW LIMITING M10X80	
K2	55940303	1	AIR OUTLET KIT	
K3	55940304	12	TIE CABLE KIT	
K4	55940368	1	ACCELERATOR PEDAL KIT	



Pos.	Product no	QTY	Description	Notes
29	VA13491	2	SCREW M8 X 25	
30	55940336	1	LABEL FILTER	
31	55940337	1	LABEL BRAKE	
32	VR14404	2	ROLLER BUMPER	
34	VF13535	2	WASHER PLAIN M8X20 X2	
33	VR16004	2	BUSHING BRASS	
35	VF13635	2	SCREW M8 X 50	
36	VF13537	6	WASHER PLAIN M10XM26X2	
37	VF13518	6	WASHER LOCK F10	
38	VF14007	6	SCREW M10X32 HEX	
39		1	BUMPER RIGHT	
40		1	BUMPER LEFT	
*41		1	TRAY LEAD-ACID BATTERY	
*42		1	SPACER PLATE BATTERY 700X55X30	
43		1	SPACER PLATE BATTERY 1	
44		1	SPACER PLATE BATTERY 2	
45		1	TRAY BATTERY	
46		2	SCREW M10X45	
47		2	WASHER PLAIN 10*26*2	
48		2	SPRING COMPRESSION	
49		2	LOCK NUT M10	
50		3		
51	55940936	1	SCREW LIMITING M10X80	
52	55940335	1	SHEATH WIRE HOLE	
*K5	55940320	1	LEAD-ACID BATTERY TRAY KIT	
K6	55940319	1	BATTERY TRAY KIT	
K8	55940786	1	BUMPER KIT RIGHT	
K9	55940787	1	BUMPER KIT LEFT	
K10	55940365	1	FASTENING KIT COVER RIGHT	
K11	55940937	1	SCREW LIMITING KIT	



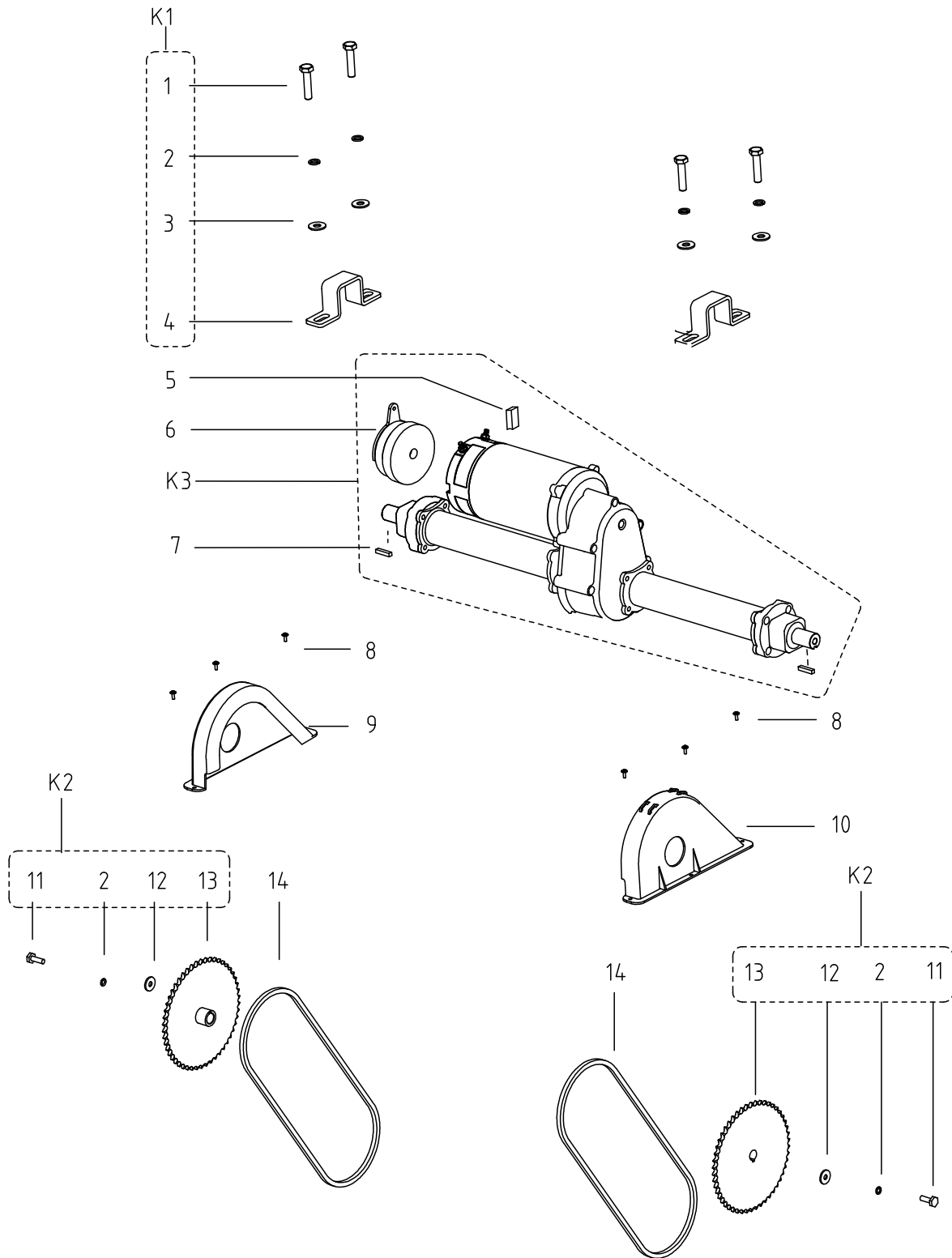
Pos.	Product no	QTY	Description	Notes
1	VF14233	2	SCREW M6 X 20	
2	VV13607	2	WASHER LOCK M6	
3	VF13533	2	WASHER PLAIN M6X16X2	
4		2	ROTATION SHAFT BRAKE BLOCK	
5		2	ROTATION BRACKET BRAKE BLOCK	
6		2	FIXING PLATE BRAKE BLOCK	
7	VF13519	14	WASHER SPRING ID8	
8	55940338	2	SCREW M8X20	
9		2	BRAKE SHOE	
10		2	SLEEVE REAR WHEEL SHAFT	
11	VF14061	4	BEARING 6006	
12		2	BUSHING REAR WHEEL SHAFT	
13		2	BRAKE DISC	
14	55945935	2	SPROCKETS PROCKET	
15	VV13604	12	SCREW M8X20	
16	VF14547	12	NUT LOCK M10	
17	55940340	2	WHEEL	
18	VF14122	12	PLAIN WASHER DIAMETER 10 X 20 X 2	
19	VF13634	12	BOLT M10X30	
20		2	WASHER PLAIN Ø25x39x4mm	
21		2	WASHER SPRING ID24	
22		2	NUT LOCK M24	
23		2	COVER WHEEL DECORATIVE	
24		6	SCREW M3X8	
25		2	COVER WHEEL	
26	VF14301	2	SCREW M4X12	
27	VF13514	12	WASHER PLAIN Ø8x16x1.5mm	
K1	55940306	2	BRAKE KIT	
K2	55940307	2	REAR WHEEL KIT FIXING	
K2	55945932	2	REAR WHEEL KIT FIXING*CN	
K3	55940308	2	COVER KIT WHEEL	
K4	55940326	2	WHEEL HARDWARE KIT	
K5	55945936	2	REAR WHEEL KIT REAR WHEEL KIT	



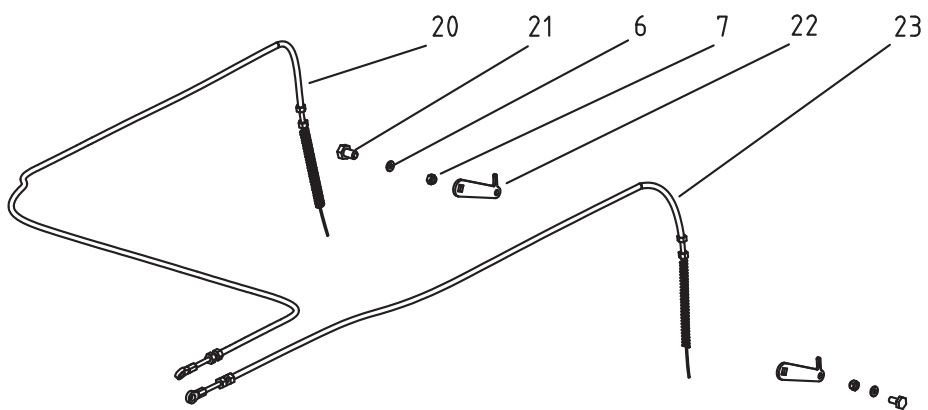
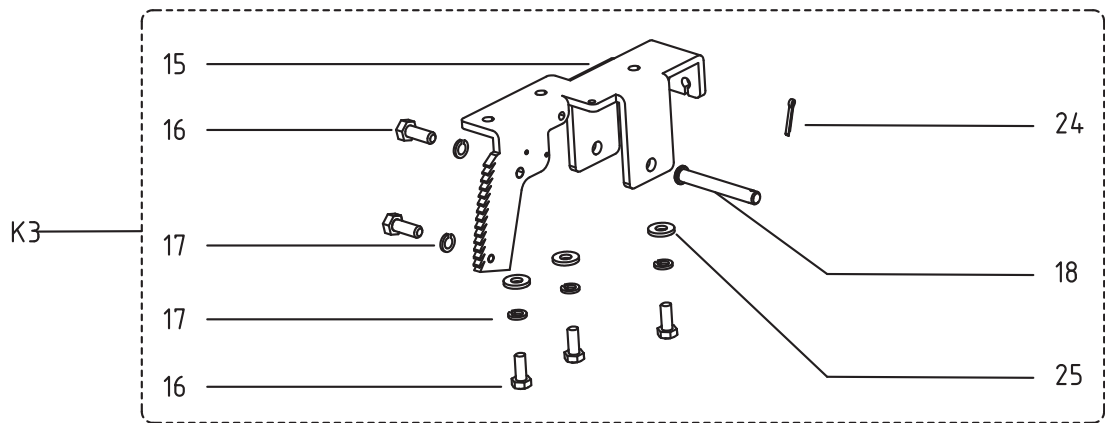
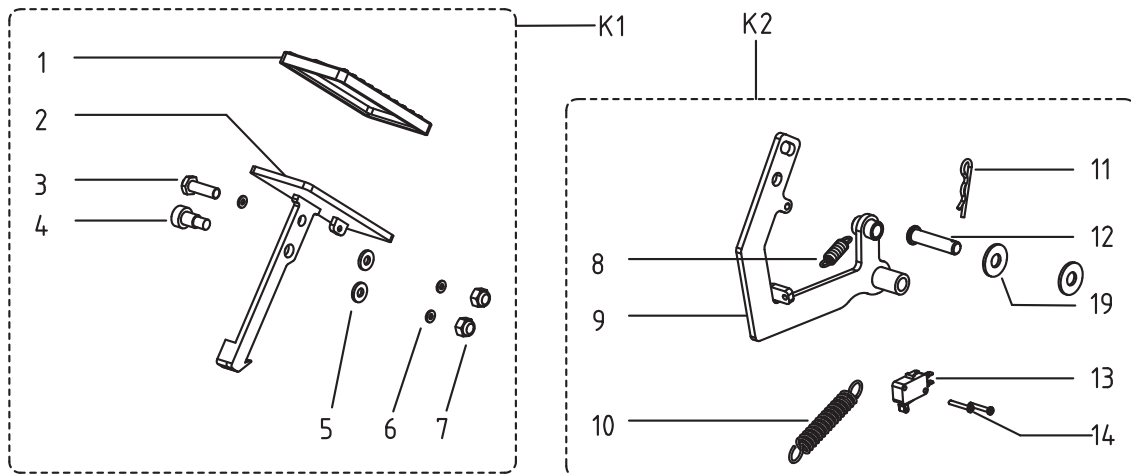
Pos.	Product no	QTY	Description	Notes
1	55940341	22	SCREW M5X12	
2	VV13601	16	WASHER SPRING ID5	
3		16	WASHER 5X10X1	
4		1	ON BOARD CHARGER	
5	VF14116	4	SCREW PAN HEAD ST4X16	
6		2	CHARGER COVER	
7	VF14070	2	SCREW M4X25	
8	GT13015	4	SCREW HEXAGON M6X30	
9	55940121	1	WIRE KIT F EXTERNAL CHARGER	
10	VR12005	1	MICRO SWITCH	
11	VF14244	2	SCREW M3 X 20	
12	55940342	1	COVER CONTROLLER	
13	55940343	2	SCREW M5X40	
14	55940118	1	CONTROLLER MAIN MACHINE	
15		6	WASHER RUBBER D.20x15	
16	55940345	1	COVER ELECTRIC BOX	
17		1	HOLDER FUSE	
18		1	FUSE 150A	
19	VF90230	1	RELAY 24V DC	
20		1	LABEL CIRCUIT BREAKER	
21		1	FIXING PLATE CIRCUIT BREAKER	
22	VF89050	4	CIRCUIT BREAKER	
23	ZD48320	1	CIRCUIT BREAKER 30A	
24	VF90747	1	CIRCUIT BREAKER	
25	VF13495	2	SCREW M6X16	
26	VV13607	4	WASHER LOCK M6	
27	VF13533	4	WASHER PLAIN M6X16X2	
28	VR13449	2	CONNECT WIRE POLE	
29	VF14232	2	HEX SCREW M6X10	
30	VA13475	4	SCREW M5X25	
31	55940346	1	LID ELECTRIC BOX	
32	55940142	1	WIRE KIT F POWER SUPPLY	
33	55940141	3	WIRE KIT F BATTERY	
*34		4	BATTERIES (CHECK LOCAL SALES FOR PART NUMBERS)	
35	55940150	8	BATTERY CARD BUCKLE	
*K1	55940100	1	ONBOARD CHARGER KIT 24V 25A EU/UK	[1]
K1	55940102	1	ON BOARD CHARGER KIT US	[1]
K2	55940301	1	CHARGER COVER KIT	
K3	55940312	1	FIXING PLATE KIT CIRCUIT BREAKER	
K4	55940314	1	FUSE KIT	
K5	VS14757	1	CHARGER SOKET KIT	

Part Notes:

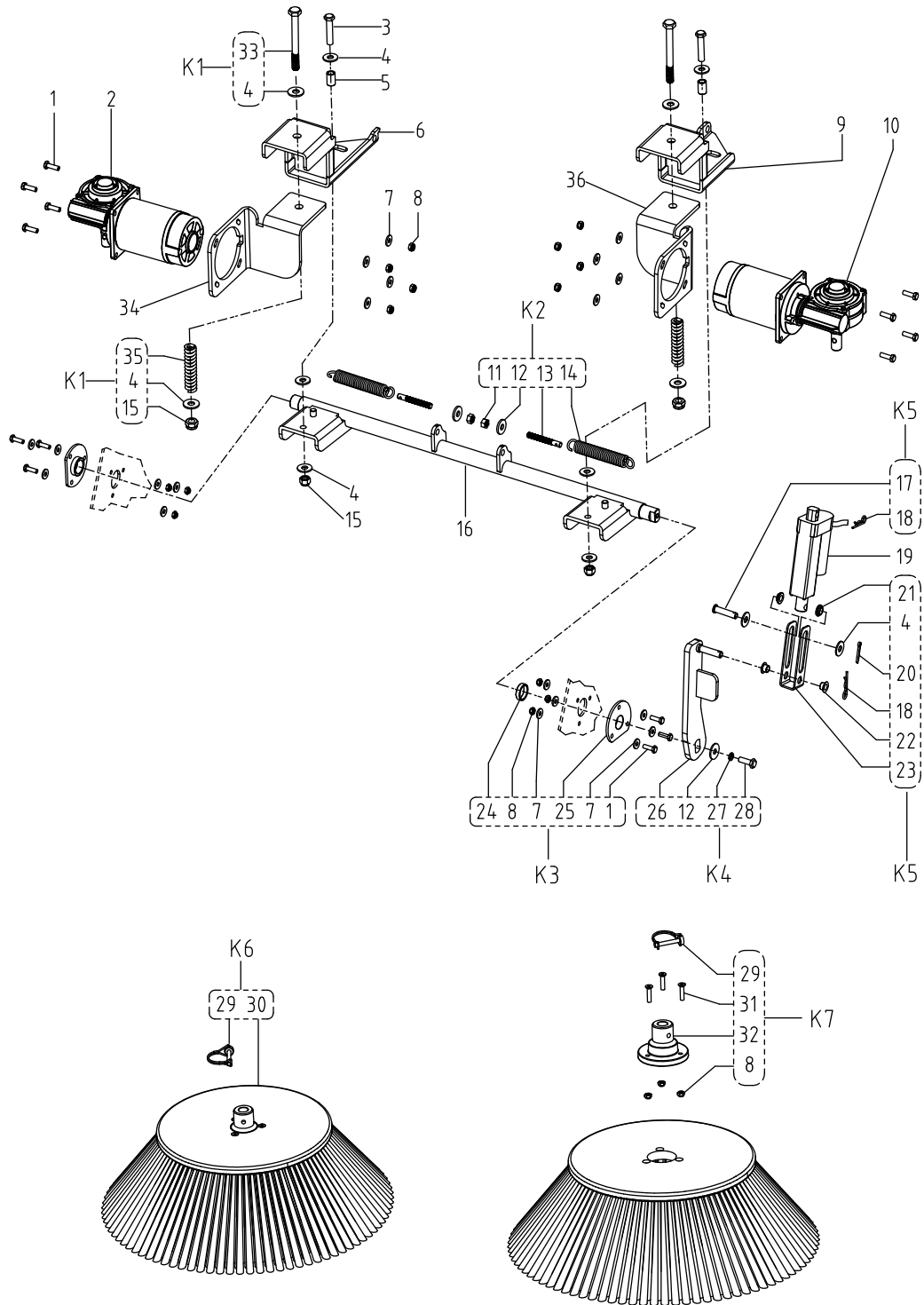
- [1] - 55944257_Onboard Battery Charger Installation Instruction of ROS1300_EN
55944258_Onboard Battery Charger Installation Instruction of ROS1300_CN



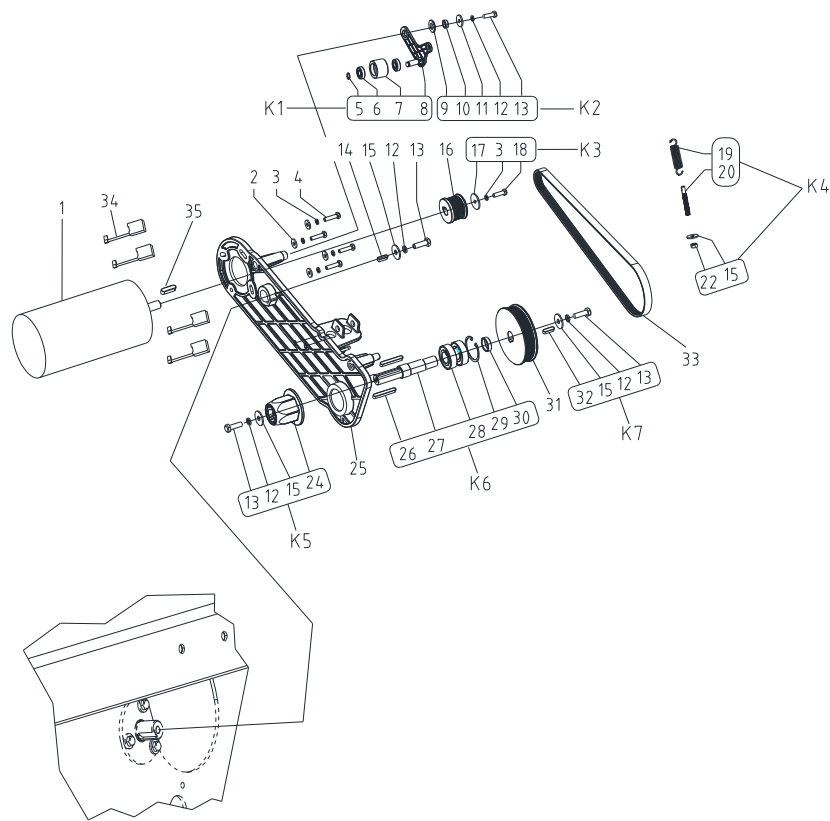
Pos.	Product no	QTY	Description	Notes
1	VF13636	4	SCREW M10 X 45	
2	VF13518	6	WASHER LOCK F10	
3	VF13537	4	WASHER PLAIN M10XM26X2	
4		2	FIXING PLATE DRIVE MOTOR	
5	VF89116	4	CARBON BRUSH KIT	
6	55940132	1	ELECTROMAGNETIC BRAKE	
7	VR14003	2	KEY	
8	55940348	6	SCREW PWM5X14	
9	55940349	1	GUARD BOARD CHAIN RIGHT	
10	55940350	1	GUARD BOARD CHAIN LEFT	
11	VF14006	2	SCREW M10X20	
12	VR41111	2	WASHER PLAIN 10X33X3	
13		2	SPROCKET	
14	55940351	2	CHAIN ROLLER	
K1	55940317	2	DRIVE MOTOR HARDWARE KIT	
K2	55940318	2	SPROCKET KIT	
K3	55940133	1	DRIVE MOTOR KIT	



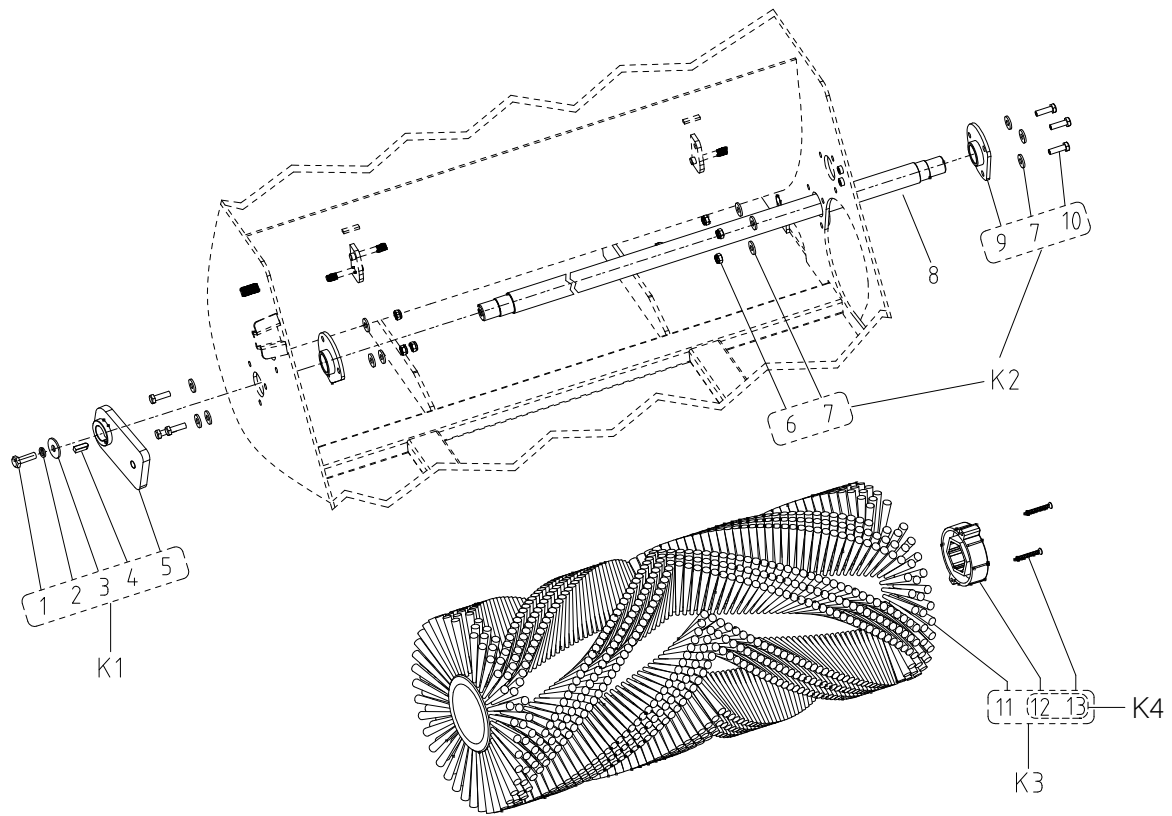
Pos.	Product no	QTY	Description	Notes
1	55940367	1	PEDAL COVER RUBBER	
2		1	PEDAL BRAKE	
3	VA13491	1	SCREW M8 X 25	
4	VF84228	1	SCREEN SHOULDER M8X11.5MM	
5	VF13536	2	PLAIN WASHER DIAMETER 10 1/5	
6	VF13535	5	WASHER PLAIN M8X20 X2	
7	VF14516	3	NUT LOCK M8	
8		1	SPRING TENSION	
9		1	ROTATION PLATE BRAKE	
10	VF89318	1	SPRING 65MN	
11	VS13518	2	CONNECTING PIN	
12		1	ROTATION PIN	
13	VF85507	1	MICO-SWITCH	
14	VF14244	2	SCREW M3 X 20	
15		1	FIXING PLATE BRAKE	
16	VV13604	5	SCREW M8X20	
17	VF13519	5	WASHER SPRING ID8	
18	VR35008	1	TOP CONNECTING PIN	
19	VF13537	2	WASHER PLAIN M10XM26X2	
20	55940352	1	CABLE 2130	
21	55940353	2	BOLT M8X16 HEX WITH HOLE	
22	55940354	2	BRACKET BRAKE BLOCK ROTATION	
23	55940355	1	CABLE 1500	
24	VF14084	1	PIN COTTER D3X24	
25	VF13514	3	WASHER PLAIN Ø8x16x1.5mm	
K1	55940321	1	BRAKE PEDAL KIT	
K2	55940322	1	BRAKE BRACKET KIT ROTATION	
K3	55940324	1	BRAKE BRACKET KIT FIXED	



Pos.	Product no	QTY	Description	Notes
1	VF14233	14	SCREW M6 X 20	
2	55940136	1	MOTOR SIDE BROOM RIGHT 24V 280W	
3	VF13636	2	SCREW M10 X 45	
4	VF13537	8	WASHER PLAIN M10XM26X2	
5	55940596	2	BUSHING COPPER 14 x 10 x 20.5	
6	55946117	1	BRACKET SIDE BROOM RIGHT	
7	VF13533	20	WASHER PLAIN M6X16X2	
8	VF14506	14	NUT LOCK SS M6	
9	55946118	1	BRACKET SIDE BROOM LEFT	
10	55940135	1	MOTOR SIDE BROOM LEFT 24V 280W	
11	VF13513	2	NUT M8 SS	
12	VF13542	3	WASHER PLAIN M8X26X2	
13	VF82047	2	SHAFT	
14		2	SPRING EXTENSION D.E.19 WIRE Ø2.5	
15	VF14547	2	NUT LOCK M10	
16	55946119	1	SHAFT ASSEMBLY SIDE BROOM	
17		1	PIN Ø9.8x45.5	
18	VS13518	2	CONNECTING PIN	
19	55940138	1	ACTUATOR KIT 24V 550N 55MM	
20		1	COTTER PIN Ø2.5X43	
21		2	BUSHING COPPER Ø10x5.5	
22	VF85338	2	BUSHING FLANGED	
23		1	LIFTING BRACKET SIDE BROOM	
24		1	BUSHING Ø27x 22.2 x 7.3	
25		2	BUSHING NYLON Ø22 x29.4x12	
26		1	BRACKET POSITION LIMITER	
27	VF13519	1	WASHER SPRING ID8	
28	VV13604	1	SCREW M8X20	
29		2	PIN Ø6x45	
30		2	BROOM SIDE ASSEMBLY 300x500 PPL 0.8	
31	VF14223	6	SCREW M6 X 25 PH	
32		2	HUB SIDE BROOM	
33	55940930	2	SCREW M10X95 HEX SS	
34	55946124	1	BRACKET RT SIDE BROOM	
35	55940931	2	SPRING-COMP. D.E.10.3 wire D.4	
36	55946125	1	BRACKET LT SIDE BROOM	
K1	55940588	2	BRACKET SPRING KIT	
K2	55940583	1	SHAFT SPRING HARDWARE KIT	
K3	55940584	1	SHAFT BUSHING KIT	
K4	55946122	1	LIFTING BRACKET KIT	
K5	55940586	1	BRACKET POSITION LIMITER KIT	
K6	55940587	2	BROOM SIDE KIT 300x500 PPL 0.8	
*K6	55940757	2	BROOM SIDE KIT MIX STEEL 300x500	
*K6	55940589	2	SIDE BROOM KIT NATURAL FIBER 300x500	
K7	55940772	1	HUB KIT SIDE BROOM	



Pos.	Product no	QTY	Description	Notes
1	55940134	1	MOTOR MAIN BROOM 24V 500W	
2	55940655	4	WASHER PLAIN M6XM16X2	
3	VV13607	5	WASHER LOCK M6	
4	55940657	4	HHC SCREW M6X25	
5	VF13520	1	RETAINING RING EXTERNAL F12	
6		2	BEARING BALL 6001-Z Ø12x28x8	
7		1	TENSION PULLEY ALUMINUM Ø27x33x28	
8		1	BRACKET TENSION PULLEY Q235	
9		1	WASHER Ø6.2x16x2	
10		1	BUSHING COPPER Ø14.1 x18x6.1	
11		1	WASHER Ø8.4x26.3x3	
12	VF13519	6	WASHER SPRING ID8	
13	VA13491	6	SCREW M8 X 25	
14	55940597	1	KEY F SHAFT 8 20 7	
15	VF13542	4	WASHER PLAIN M8X26X2	
16	55940598	1	PULLEY V-RIBBED BELT P-8-PJ-40	
17		1	WASHER Ø28x6.2x2	
18	VF14233	1	SCREW M6 X 20	
19	55940627	1	SPRING EXTENSION D.E.18.8 WIRE D.2.3	
20	VF82047	1	SHAFT	
22	VF13513	1	NUT M8 SS	
24		1	HUB WHEEL NYLON D.65x48	
25	55946105	1	BRACKET MAIN BROOM RIGHT	
26	55940932	2	KEY F SHAFT 6X6X45	
27		1	TRANSMISSION SHAFT RIGHT	
28	VF14075	2	BEARING 6004 2RS	
29		1	RETAINING RING EXTERNAL D.44.5	
30		1	BUSHING D.20.3x25x6.5	
31	55940488	1	PULLEY V-RIBBED BELT P-8-PJ-100	
32		1	KEY F SHAFT 6X6X22	
33	55940489	1	BELT V-RIBBED 6-PJ-838	
34	VF89116	4	CARBON BRUSH KIT	
35	55940131	1	KEY 5*5*25	
K1	55946123	1	TENSION PULLEY KIT	
K2	55940563	1	SCREW TENSION PULLEY KIT	
K3	55940564	1	SCREW KIT DRIVING PULLEY	
K4		1	SPRING EXTENSION KIT	
K5	55940566	1	HUB RT KIT	
K6	55940567	1	BEARING RT KIT	
K7	55940568	1	SCREW KIT FOLLOWER PULLEY	



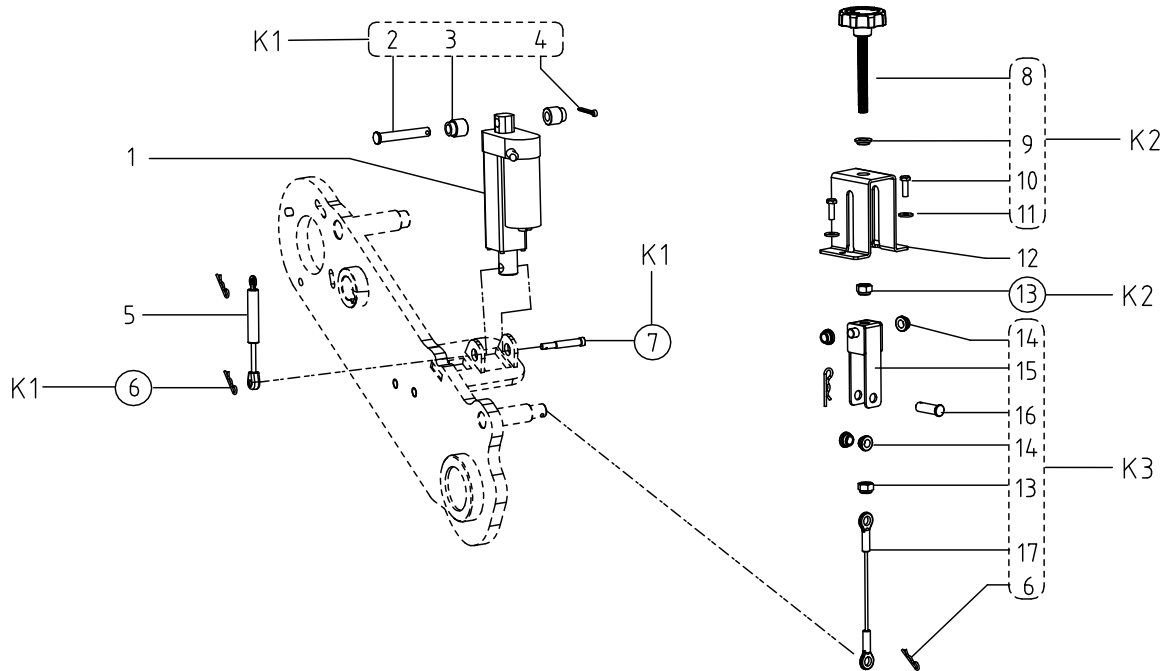
Main broom (Continue)

ROS1300 B

2022.06.09

2024.01.10

Pos.	Product no	QTY	Description	Notes
1	VA13491	1	SCREW M8 X 25	
2	VF13519	1	WASHER SPRING ID8	
3	VF13542	1	WASHER PLAIN M8X26X2	
4		1	KEY F SHAFT 6 X6 X22	
5		1	FIXING PLATE BRACKET RIGHT Q235	
6	VF14506	6	NUT LOCK SS M6	
7	VF13533	12	WASHER PLAIN M6X16X2	
8	55940491	1	SHAFT MAIN BROOM 30 D.25	
9		2	BUSHING NYLON D.22X29.4X12	
10	VF14233	6	SCREW M6 X 20	
11		1	BROOM MAIN 300X700 PPL0.5	
11		1	BROOM MAIN MIX STEEL 300X700	
11		1	BROOM MAIN NATURAL 300X700	
12		1	HUB WHEEL NYLON D.65x48	
13	VF14125	2	SCREW ST5X44	
K1	55946121	1	FIXING PLATE BRACKET RIGHT KIT	
K2	55940570	1	BUSHING KIT	
K3	55940604	1	MAIN BROOM KIT 300X700 PPL0.5	
*K3	55940756	1	MAIN BROOM KIT MIX STEEL 300x700	
*K3	55940590	1	MAIN BROOM KIT NATURAL FIBER 300x700	
K4	55940369	1	HUB MAIN BROOM KIT	



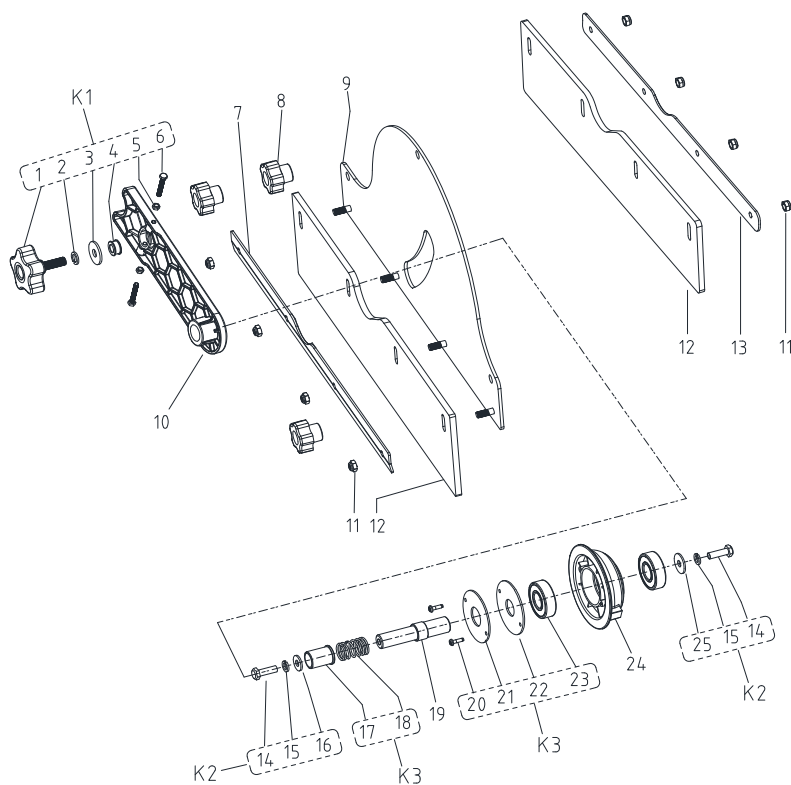
Main broom closing adjustment

ROS1300 B

2021.10.25

2021.10.26

Pos.	Product no	QTY	Description	Notes
1	55940138	1	ACTUATOR KIT 24V 550N 55MM	
2		1	PIN D.9.8x65.5	
3		2	BUSHING NYLON D.10.1x19.5	
4	VF14084	1	PIN COTTER D3X24	
5	55940492	1	SPRING AIR 180N	
6	VS13518	4	CONNECTING PIN	
7		1	PIN GALV 45# D.9.8x66	
8		1	SCREW KNOB M10*93	
9		1	BUSHING D.10x5.2	
10	VF13498	2	SCREW M6X20	
11	VF13533	2	WASHER PLAIN M6X16X2	
12	55940493	1	LIFTING BRACKET MAIN BROOM	
13	VF14547	2	NUT LOCK M10	
14	55940933	4	BUSHING RUBBER	
15		1	ADJUSTING BRACKET	
16		1	PIN 45# D.9.8x40	
17		1	LIFTING CABLE MAIN BROOM	
K1	55940571	1	BUSHING KIT NYLON	
K2	55940572	1	SCREW KNOB ADJUSTING KIT	
K3	55940573	1	ADJUSTING BRACKET KIT	



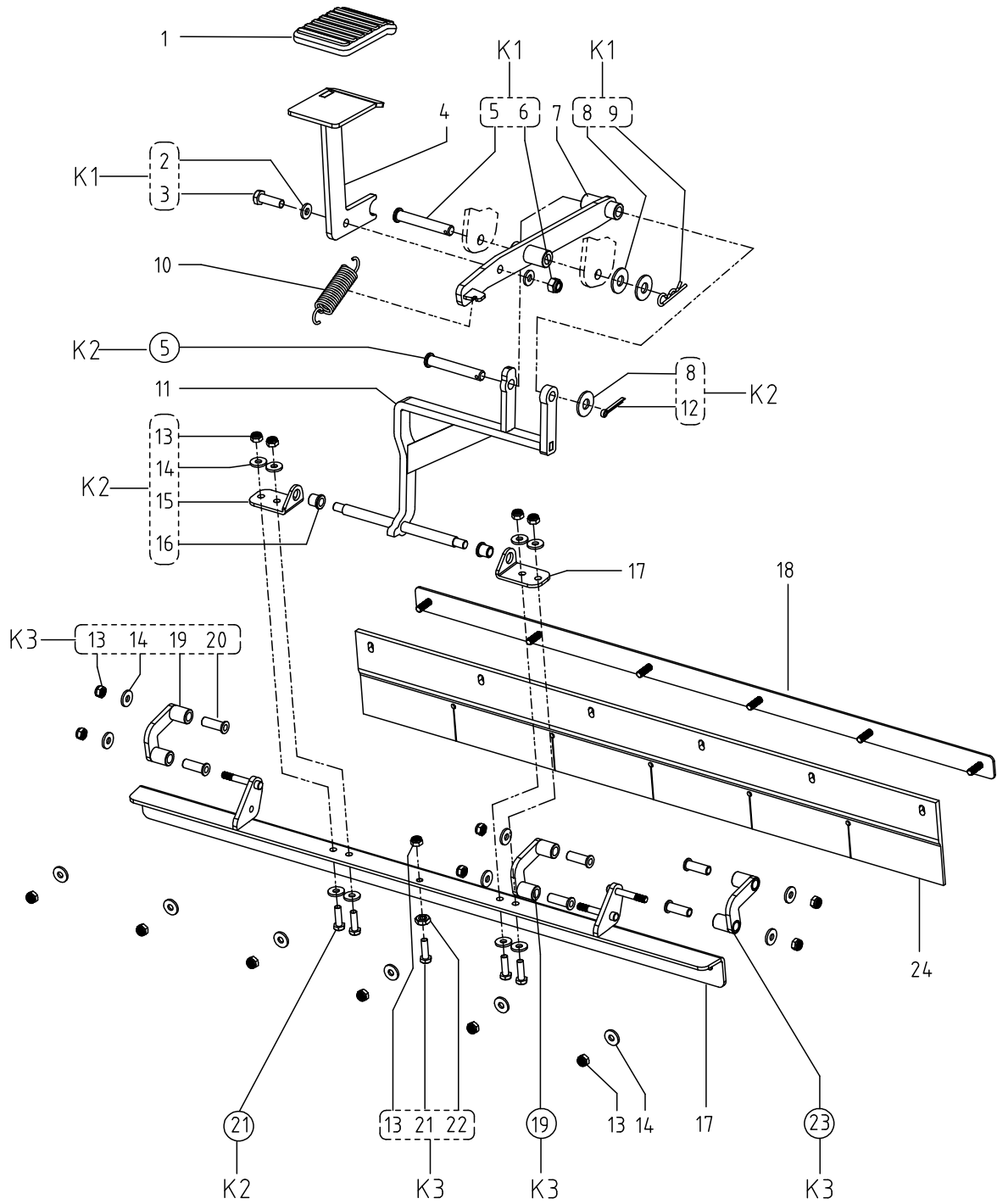
Main broom closing (Continue)

ROS1300 B

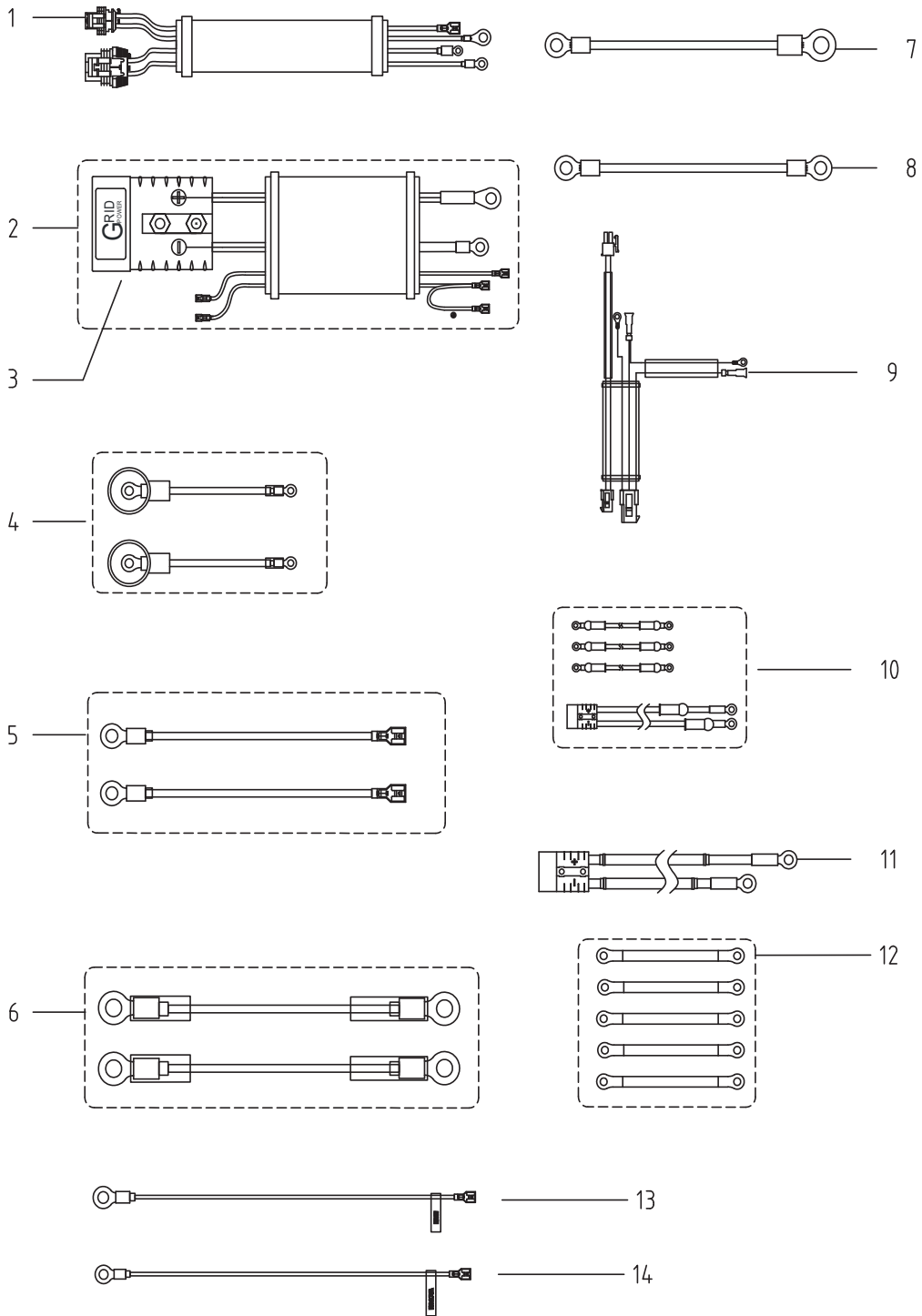
2024.01.10

2024.01.10

Pos.	Product no	QTY	Description	Notes
1		1	SCREW KNOB M10x30	
2	VF13518	1	WASHER LOCK F10	
3		1	WASHER D.30x10x2.5	
4		1	BUSHING COPPER D.18.5x10x9.5	
5	VV13633	2	NUT M5	
6		2	SCREW M5X35 HEX	
7	55940494	1	STRAP LEFT BLADE	
8	VF89510	3	KNOB SQUEEGEE	
9	55940495	1	HATCH F MAIN BROOM	
10	55940494	2	STRAP LEFT BLADE	
11	VF14506	8	NUT LOCK SS M6	
12	55940934	2	BLADE SIDE NBR	
13	55940497	1	STRAP RIGHT BLADE	
14	VA13491	2	SCREW M8 X 25	
15	VF13519	2	WASHER SPRING ID8	
16	VF13535	1	WASHER PLAIN M8X20 X2	
17		1	BUSHING D.22x30	
18		1	SPRING COMPRESSION D.E.22.2 WIRE D.2	
19	55940498	1	TRANSMISSION SHAFT LEFT D.22x79.5	
20	VF13543	2	SELF-TAPPING SCREW ST4 X 16	
21		1	PLATE FIXED	
22		1	BEARING GASKET	
23	ZD45425	2	BEARING 6204 LU	
24	55940499	1	HUB NYLON D.110x30	
25	VF13542	1	WASHER PLAIN M8X26X2	
K1	55940574	1	SCREW KNOB KIT	
K2	55940576	2	SCREW KIT F TRANSMISSION SHAFT	
K3	55940577	1	BEARING KIT	

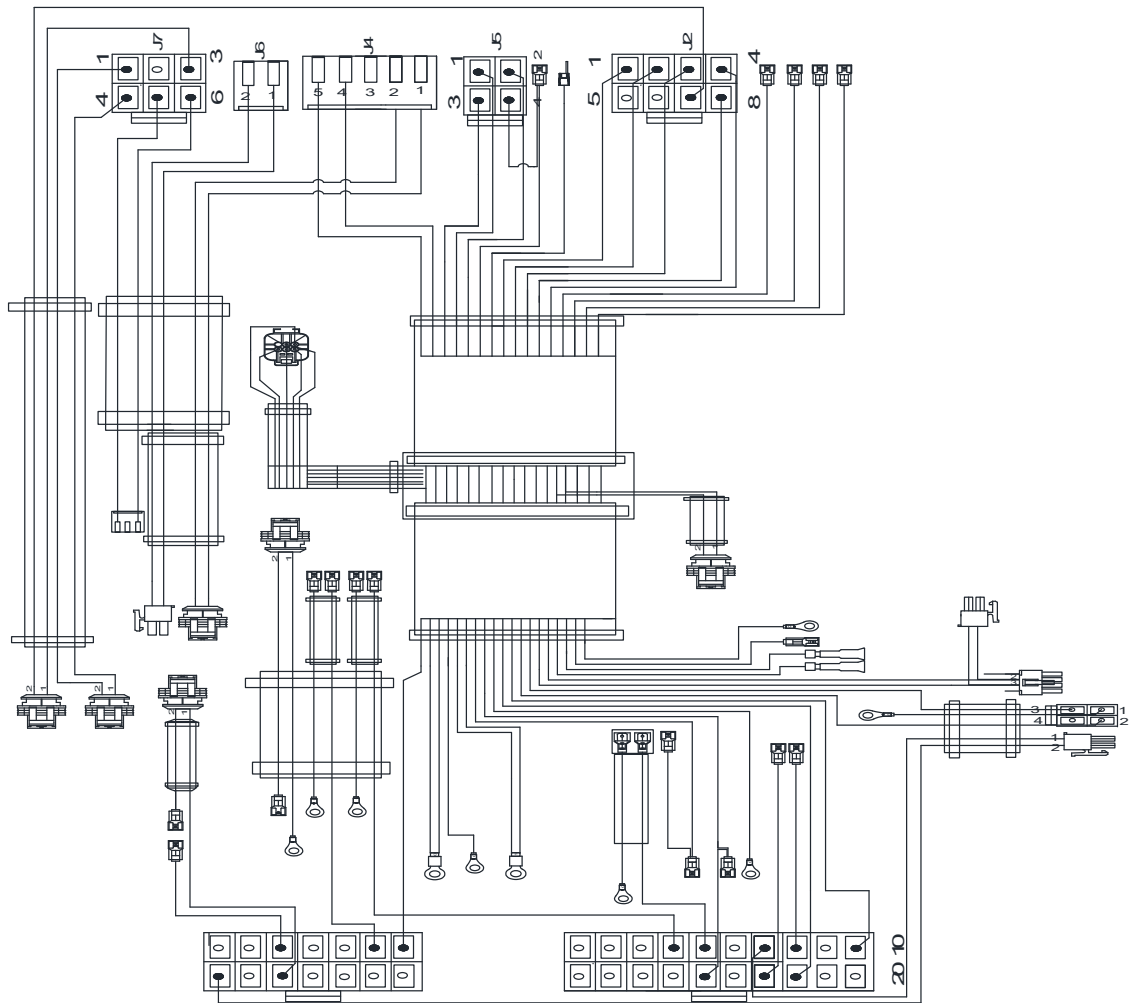


Pos.	Product no	QTY	Description	Notes
1	VR41125	1	COVER RUBBER F BRAKE PEDAL	
2	VF13535	2	WASHER PLAIN M8X20 X2	
3	VA13491	1	SCREW M8 X 25	
4	55940619	1	LIFTING PEDAL FRONT BLADE GALV Q235	
5		2	PIN D.9.8x65.5	
6	VF14516	1	NUT LOCK M8	
7	55940626	1	BRACKET PEDAL	
8	VF13537	3	WASHER PLAIN M10XM26X2	
9	VS13518	1	CONNECTING PIN	
10	55940627	1	SPRING EXTENSION D.E.18.8 WIRE D.2.3	
11	55940628	1	CONNECTING ROD	
12	VF14084	1	PIN COTTER D3X24	
13	VF14506	17	NUT LOCK SS M6	
14	VF13533	20	WASHER PLAIN M6X16X2	
15	55940935	1	BRACKET GALVE Q235	
16		2	BUSHING Ø11x 8 x 12	
17	55940632	1	FLAP METAL L.705	
18	55940634	1	STRAP FRONT BLADE	
19		2	CONNECTING ROD	
20		6	BUSHING Ø8.5x 26.8	
21	VF14233	5	SCREW M6 X 20	
22	VF13521	1	NUT M6	
23		1	CONNECTING ROD	
24	55940638	1	BLADE FRONT NR	
K1	55940578	1	SCREW KIT PEDAL	
K2	55940579	1	PIN KIT CONNECTING ROD	
K3	55940580	1	CONNECTING ROD KIT	



Pos.	Product no	QTY	Description	Notes
1	55940120	1	WIRE F MAIN BRUSH MOTOR	
2	55940121	1	WIRE KIT F EXTERNAL CHARGER	
3	55940140	1	CONNECTOR HOUSING GRID MPC175 G949 RED	
4	55940122	1	WIRE F TRACTION MOTOR	
5	55940123	1	WIRE F SIDE BROOM MOTOR	
6	55940124	1	WIRE F CONTROLLER	
7	55940126	1	WIRE F FUSE	
8	55940127	1	WIRE F RELAY	
9	55940139	1	WIRE F WARNING LIGHT	
10	55940141	1	WIRE KIT F BATTERY	
11	55940142	1	WIRE KIT F POWER SUPPLY	
*12	55940143	5	WIRE KIT F BATTERY CONNECTION TPPL	
13	55940125	1	CIRCUIT BREAKER WIRING HARNESS	
14	55940146	1	VACUUM WIRING HARNESS	
15	55940119	1	MAIN CONNECTING WIRE	

MAIN CONNECTING WIRE-55940088



Main connecting wire

ROS1300 B

2021.10.25

2021.11.05

Pos.	Product no	QTY	Description	Notes
	55940119	1	MAIN CONNECTING WIRE	

Recommended spare parts

Pos.	Product no	QTY	Description	Notes
1	55940453	1	GASKET L2.2m	
49	55946123	1	TENSION PULLEY KIT	
50	55940572	1	SCREW KNOB ADJUSTING KITS SCREW KNOB ADJUSTING KIT	
2	55940340	1	WHEEL	
3	55940550	1	GASKET VACUUM MOTOR	
51	55940934	2	BLADE SIDE NBR	
52	55940497	1	STRAP RIGHT BLADE	
4	55940892	1	SPRAY HOSE KIT	
5	55940361	1	CHAIN ROLLER 06B	
53	55940499	1	HUB NYLON D.110x30	
54	55940592	1	BRACKET SIDE BROOM LEFT SCREW KNOB M10x30	
6	55940552	1	GASKET VACUUM MOTOR LID	
7	55940547	1	VIBRATION MOTOR KIT	
55	VF89510	1	KNOB SQUEEGEE	
56	55940638	1	BLADE FRONT NR	
8	55940479	2	KNOB KNURLED M8X40	
9	55940538	1	FILTER KIT 580X401X80 PES 3.5m ²	
57	55940330	1	BLADE MAIN BROOM REAR NBR	
58	55940554	1	BRACKET FILTER SHAKER BRACKET KIT FILTER SHAKER	
10	55940543	1	WHEEL D.63 KIT	
11	55940544	1	WHEEL D.126 KIT	
59	55940494	1	STRAP LEFT BLADE	
60	55940573	1	ADJUSTING BRACKET KIT	
12	55940439	1	MINI CONTAINER KIT	
13	55940545	1	LATCH KIT	
61	55940576	1	SCREW KIT F TRANSMISSION SHAFT SCREW KIT FTRANSMISSION SHAFT	
62	55940577	1	BEARING KIT	
14	55940342	1	COVER CONTROLLER	
15	55940329	1	ROLLER BUMPER KIT	
63	VR13132	1	EMERGENCY-STOP BUTTON	
64	146 2887 000	1	KEY 2 PCSKEY	
16	55940368	1	ACCELERATOR PEDAL KIT	
17	55940306	1	BRAKE KIT	
65	55940358	1	VALVE ONE-WAY	
18	55945932	1	REAR WHEEL KIT FIXING REAR WHEEL KIT FIXING	
19	55940102	1	ON BOARD CHARGER KIT US	
20	VR12005	1	MICRO SWITCH	
21	55940118	1	CONTROLLER MAIN MACHINE	
69	55940887	1	COVER FILTER KIT	
70	55940359	2	BEARING BALL-7206 2RS	
22	55940314	1	FUSE KIT	
23	VF90230	1	RELAY 24V DC	
71	55940891	2	SPRAY NOZZLE KIT	
72	55940857	1	FILTER KIT 82X46X62 PA	
24	VF89050	1	CIRCUIT BREAKER	
25	ZD48320	1	CIRCUIT BREAKER 30A	
73	55940894	1	PUMP KIT	
26	VF90747	1	CIRCUIT BREAKER	
27	55940142	1	WIRE KIT F POWER SUPPLY	
28	55940351	1	CHAIN ROLLER	
66	55945291	1	SPEED POTENTIOMETER KIT	
29	55940318	1	SPROCKET KIT	
30	55940133	1	DRIVE MOTOR KIT	
31	55940352	1	CABLE 2130	
32	55940355	1	CABLE 1500	
33	55940321	1	BRAKE PEDAL KIT	
34	55940322	1	BRAKE BRACKET KIT ROTATION	
35	55940324	1	BRAKE BRACKET KIT FIXED	

Recommended spare parts

ROS1300 B

2021.10.25

2024.01.16

Pos.	Product no	QTY	Description	Notes
36	55940136	1	MOTOR SIDE BROOM RIGHT 24V 280W	
37	55940135	1	MOTOR SIDE BROOM LEFT 24V 280W	
38	55940138	1	ACTUATOR KIT 24V 550N 55MM	
39	55940587	1	BROOM SIDE KIT 300x500 PPL 0.8	
40	55940772	1	HUB KIT SIDE BROOM	
41	55940134	1	MOTOR MAIN BROOM 24V 500W	
42	55940489	1	BELT V-RIBBED 6-PJ-838	
43	55940604	1	MAIN BROOM KIT 300X700 PPL0.5	
44	55940598	1	PULLEY V-RIBBED BELT P-8-PJ-40	
45	VF14075	2	BEARING 6004 2RS	
46	55940488	1	PULLEY V-RIBBED BELT P-8-PJ-100	
47	VF89116	4	CARBON BRUSH KIT	
48	55940131	1	KEY 5*5*25	
67	55940885	1	PCB MAIN CONTROL KIT	
68	55940865	1	SIGHT TUBE KIT	
74	55940856	1	SWITCH PUMP HIGH-PRESSURE KIT	
80	55940538	1	FILTER KIT 580X401X80 PES 3.5m²	

