

PARTS LIST

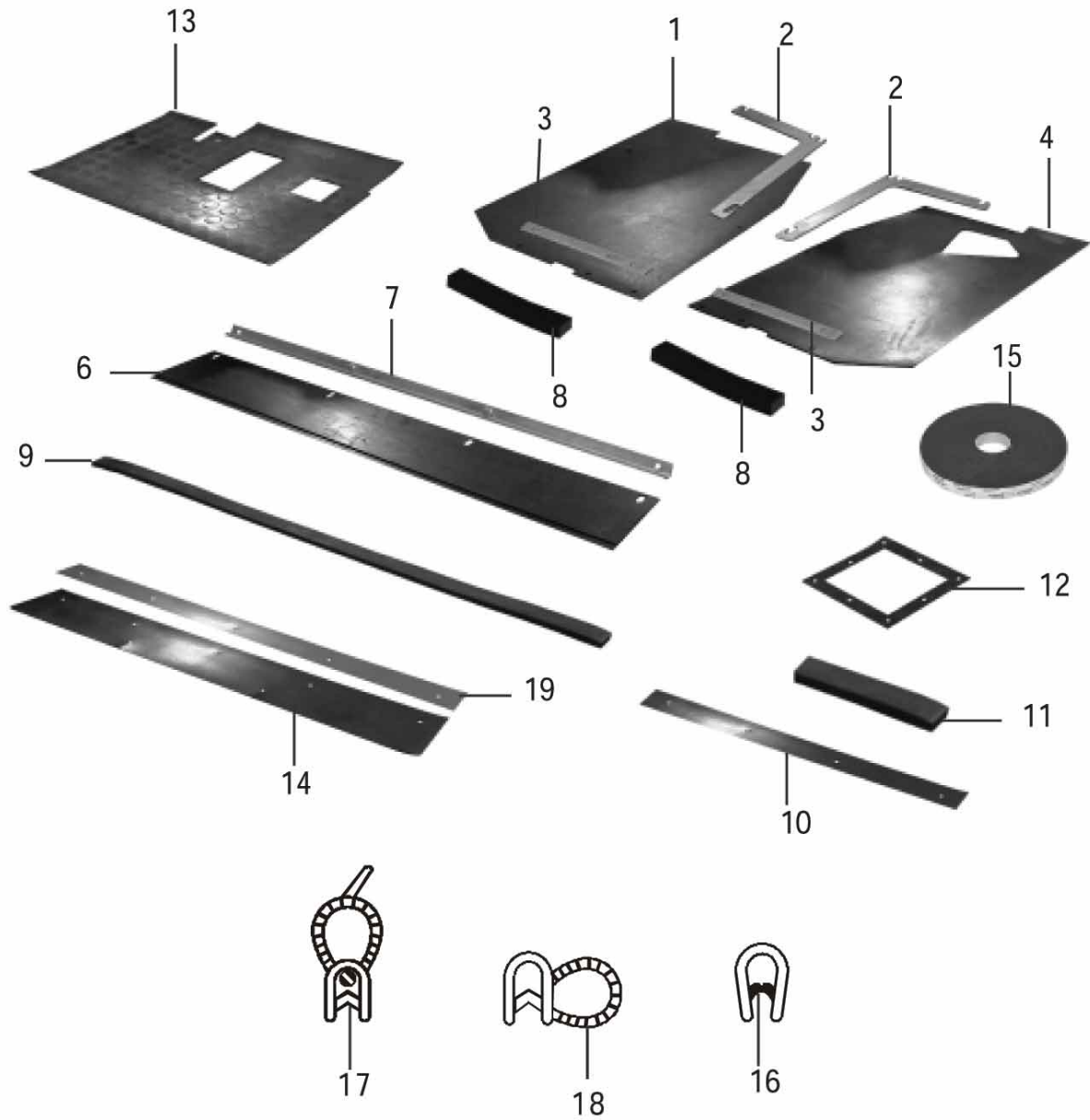


2023.11.27

NILFISK

TABLE OF CONTENTS

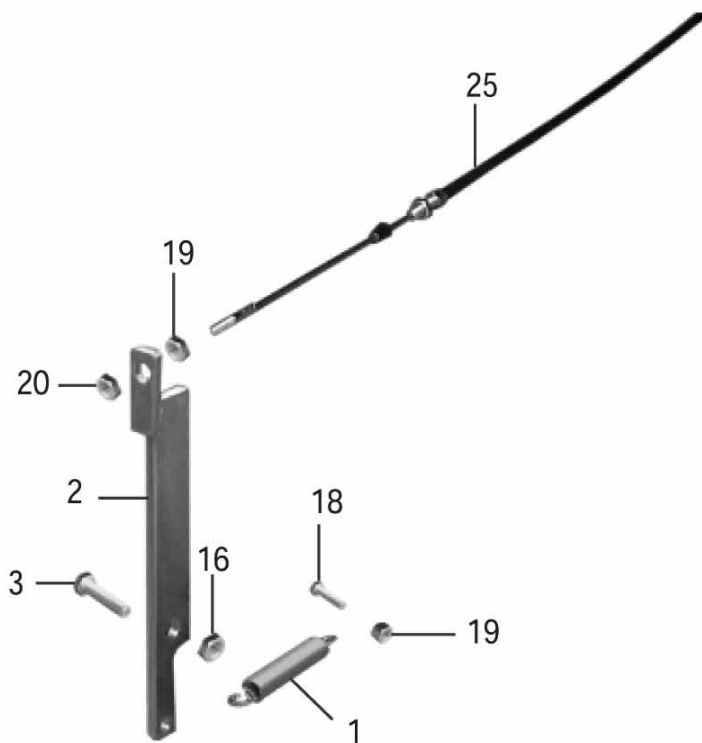
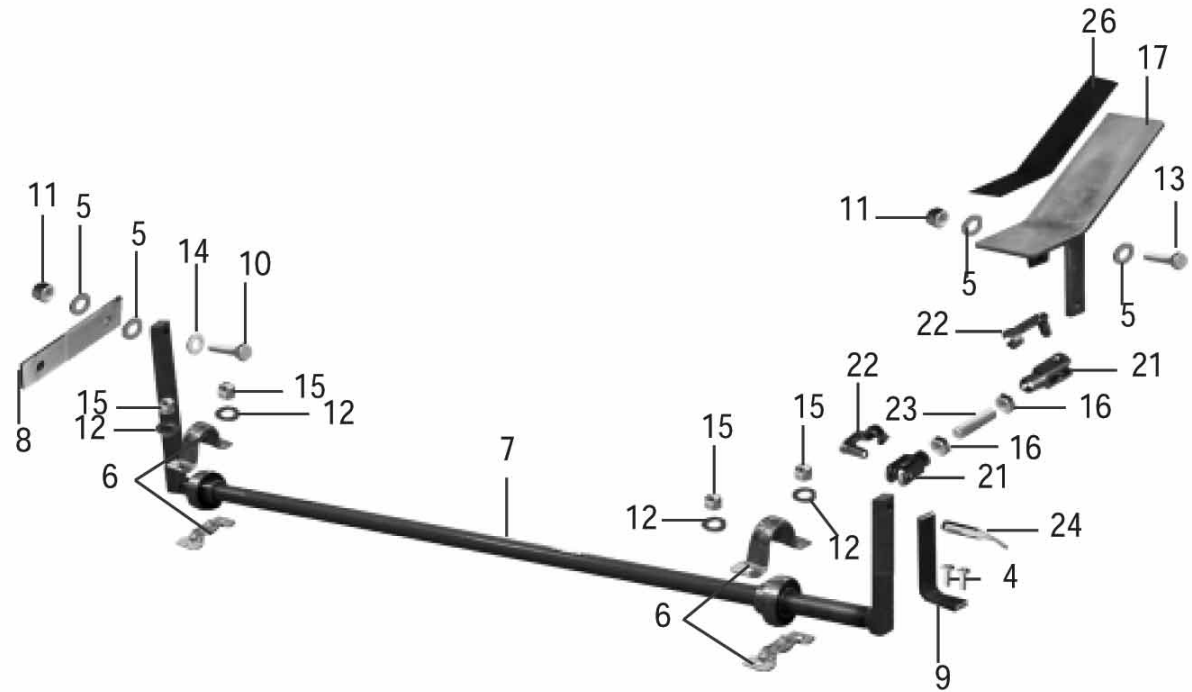
GASKETS	1
FORWARD DISPLACEMENT	3
BACK WHEEL	5
FRONT WHEELS 1	7
FRONT WHEELS 2	10
STEERING BOX	13
CENTRAL BROOM	15
RIGHT SIDE BROOM	17
LEFT SIDE BROOM	20
LDW 1003 ENGINE 1	23
LDW 1003 ENGINE 2	26
TANK	29
SILENCER AND FILTERS	31
AIR FILTER	33
FAN	35
POCKET FILTER	37
HOPPER	39
BONNET 1	41
LIFTING CYLINDER	43
FLAP	45
HYDRAULIC SYSTEM	47
HYDRAULIC DISTRIBUTOR 1	49
HYDRAULIC DISTRIBUTOR 2	51
OIL TANK	53
ELECTRIC SYSTEM 1	55
ELECTRIC SYSTEM 2	57
RECOMMENDED SPARE PARTS ELECTRICAL SYSTEM 1	59
RECOMMENDED SPARE PARTS ELECTRICAL SYSTEM 2	61
LIGHTING	63
BONNET 2	65
STICKERS	67



Pos.	Product no	QTY	Description	Notes
01	33001359	1	GASKET F/RIGHT SIDE SEAL	
02	33013225	2	SEAL STOP	[1]
03	33013389	2	SEAL STOP	[2]
04	33001356	1	GASKET F/LEFT SIDE SEAL	
06	33001353	1	GASKET F/REAR SEALING	
07	33013227	1	SEAL STOP REAR	[3]
08	33001357	2	GASKET	[3]
09	33001239	1	GASKET F/HOPPER OPENING	[3]
10	33000780	1	GASKET	[3]
11	33000781	1	GASKET	[1]
12	33001307	1	GASKET	[4]
13	33001409	1	MAT	[3]
14	33001224	1	GASKET F/FLAP SEAL	
15	33015256	1	GASKET ADHESIVE 30X8 L.7000MM SIP	[3]
16	33015270	1	GASKET U SHAPED PVC L.2000MM SIP	
17	33015265	1	GASKET BULB REINFORCED L.1200MM	[3]
18	33015266	1	GASKET BULB REINFORCED L.3000MM	[3]
19	33013191	1	SEAL STOP	[3]

Part Notes:

- [1] - NO LONGER AVAILABLE
- [2] - STOCK COVERS GUARANTEE
- [3] - GUARANTEE DATE EXPIRED
- [4] - BOM COMPONENTS OBSOLETE



Resource notes:

POSITION 5 33005679 NO LONGER AVAILABLE AS SPARE

FORWARD DISPLACEMENT

SR 1550C D

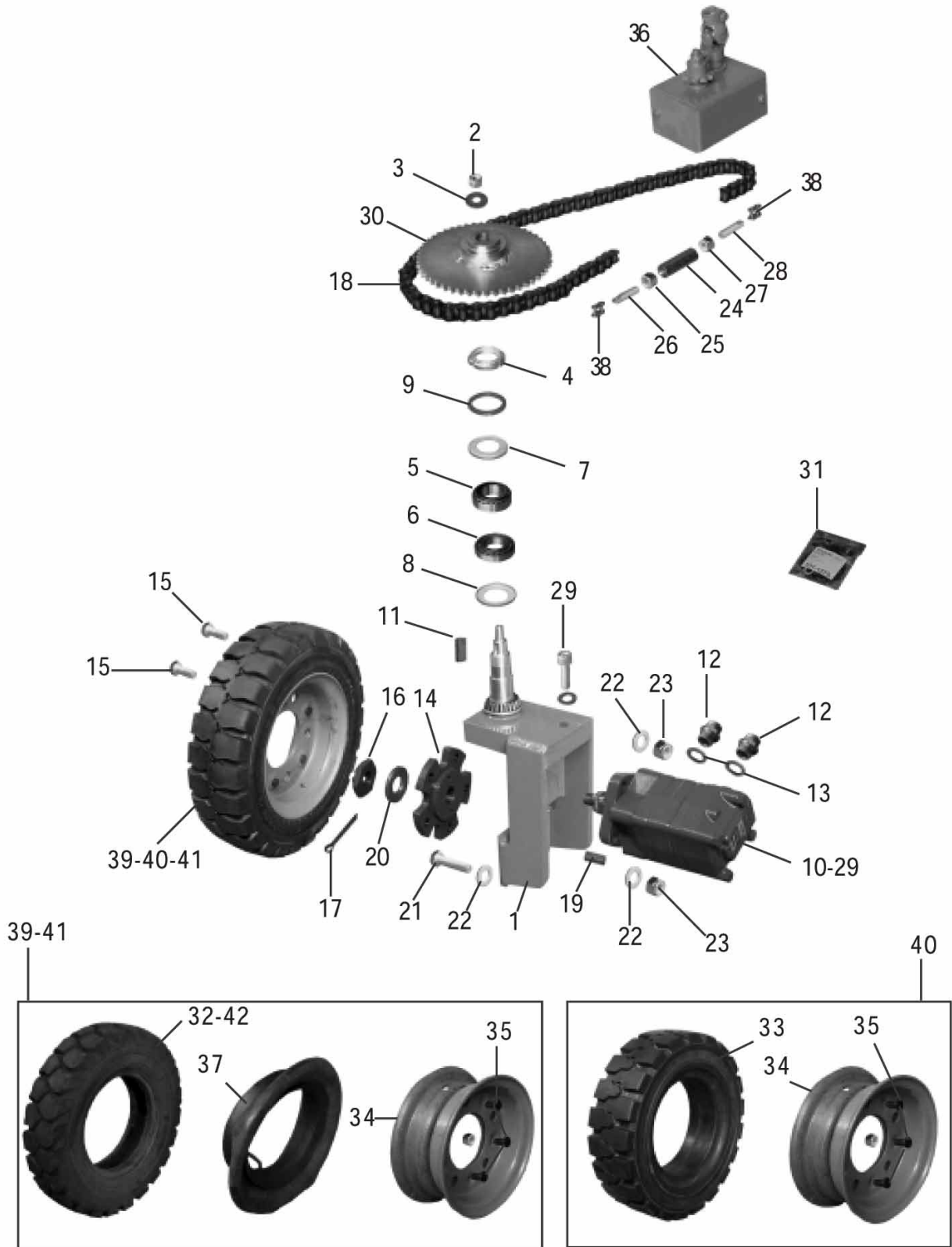
2017.11.02

2016.02.08

Pos.	Product no	QTY	Description	Notes
01	33000890	2	SPRING EXTENSION D.E.12 WIRE D.1.5	[1]
02	33013210	2	LEVER	[2]
03	33004007	2	SCREW M10X16 HEX HD F/THD ISO4017	[1]
04	33005025	2	SCREW M6X16 POELIER NF E 25-190	[2]
06	33003208	2	SUPPORT P 20 TF	[3]
07	33013253	1	LEVER MAIN FOR ADVANCEMENT	[4]
08	33013255	1	LEVER D	[1]
09	33023146	1	SUPPORT REVERSE BUZZER GALV. SIP	[3]
10	33003809	1	SCREW M10X40 HEX HD P/THD ISO4014	[1]
11	33005566	2	NUT LOCK HEX M10 ISO7040	
12	33023208	4	WASHER PLAIN M8 ISO7089 10 PCS SET	
13	33004018	1	SCREW M10X70 HEX HD F/THD ISO4017	[3]
14	33023224	1	WASHER PLAIN M10 ISO7089 10 PCS SET	
15	33023207	4	NUT LOCK HEX M8 ISO7040 10 PCS SET	
16	33005471	3	NUT HEX M10 HIGHT ISO4033	[3]
17	33013247	1	PEDAL	[4]
18	33023255	1	SCREW M6X16 HEX ISO4017 10 PCS SET	
19	33005468	1	NUT HEX M6 HIGHT ISO4033	[3]
20	33023469	1	NUT LOCK HEX M6 ISO7040 10 PCS SET	
21	145 9878 000	2	CLEVIS M10X20 GALV. DIN71752	[3]
22	145 9879 000	2	SPRING PIN M10X20 GALV.	[3]
23	33003668	1	ROD THREADED M10 DIN975	[3]
24	909 6121 000	1	SENSOR	[3]
25	33001284	1	CABLE F/HANDBRAKE	[1]
26	146 2844 000	1	TAPE ADHESIVE ANTISLIP KIT	[1]

Part Notes:

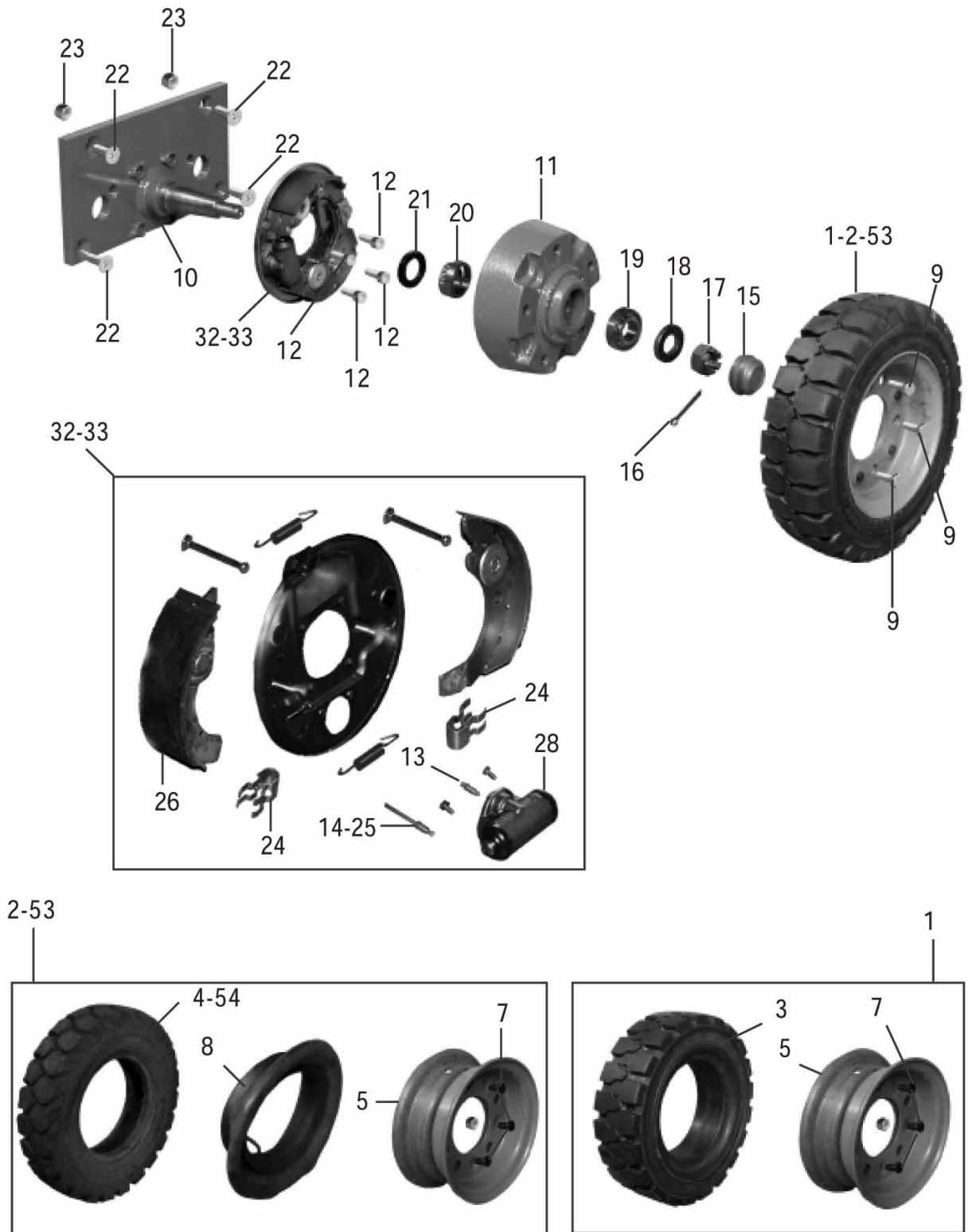
- [1] - GUARANTEE DATE EXPIRED
- [2] - NO LONGER AVAILABLE
- [3] - STOCK COVERS GUARANTEE
- [4] - SEE PI 2017-002



Pos.	Product no	QTY	Description	Notes
01	33012771	1	SUPPORT F/REAR WHEEL HUB	[1]
02	146 0785 000	1	NUT LOCK HEX M14 ISO7040	[2]
03	33023316	1	WASHER PLAIN M14 ISO7089 10 PCS SET	
04	33005724	1	NUT RING M35X1.5	[3]
05	33003175	1	BEARING TAPER ROLLER 32007	
06	33003194	1	BEARING TAPER ROLLER 32008 XA	[2]
07	33003125	1	RING NILOS AV 32007	
08	33003126	1	RING NILOS AV 32008	[2]
09	33013212	1	SPACER D.35.3X45 H.3.5 GALV.	[4]
10	33017886	1	MOTOR HYDRAULIC MS 200 K-PAINTED	
11	33007736	1	KEY .8x20	[1]
12	33011186	2	NIPPLE 1/2	[4]
13	145 5172 000	2	SEAL BONDED 1/2	[3]
14	33013215	1	HUB.REAR WHEEL	[3]
15	33014341	5	STUD BOLT M 16X1.5	[4]
16	146 1518 000	1	NUT HEX M20X1.5 CASTLE LOW DIN937	[2]
17	33005799	1	PIN SPLIT 5X40 GALV. ISO1234	[3]
18	33015554	1	CHAIN ROLLER 1/2X5/16-165 PITCHES	[3]
19	145 9773 000	1	KEY 6X6X20 UNI6604A	
20	33006001	1	WASHER F CASTLE NUT	[3]
21	33003831	4	SCREW M12X55 HEX HD P/THD ISO4014	[4]
22	33003720	8	WASHER PLAIN M12X24 ISO7089	
23	1467685000	4	NUT LOCK HEX M12 LOW ISO10511 5 PCS SET	
24	33013218	1	REGISTER	[2]
25	33005472	1	NUT HEX M12 HIGHT ISO4033	[2]
26	33013217	1	TIE-ROD RT M12X1.75 F CHAIN	[3]
27	33008084	1	NUT HEX M12 LT HIGHT ISO4033	[3]
28	33013219	1	TIE-ROD LT M12X1.75 F CHAIN	[2]
29	33004406	1	SCREW M12X20 CAP HD HEX SOCK ISO4762	[3]
30	33013214	1	SPROCKET T50 1/2-5/16 GALV.	[4]
31	33011756	1	GASKET KIT F/TRACTION	[4]
32	33009682	1	TYRE 4.00	[4]
33	33009699	1	RING SUPERELASTIC REAR	[3]
34	33023371	1	RIM F 4.00/8 WHEEL SIP	
35	33023369	1	STUD BOLT F WHEELS KIT	
36	33012611	1	BOX STEERING	[3]
37	33023370	1	TUBE INNER 4.00/8 SIP	
38	33003210	2	LINK CONNECTING 1/2X5/16	[2]
39	33023375	1	WHEEL CPL 4.00/8 PNEUMATIC SIP	
40	33023124	1	WHEEL SUPERELASTIC CONTINENTAL 4.00/8SIP	
41	33014171	1	WHEEL PNEUMATIC 4008 PIRELLI	[1]
42	33009698	1	PIRELLI TYRE	[1]

Part Notes:

- [1] - SEE PI 2017-002
- [2] - STOCK COVERS GUARANTEE
- [3] - GUARANTEE DATE EXPIRED
- [4] - NO LONGER AVAILABLE



FRONT WHEELS 1

SR 1550C D

2017.11.02

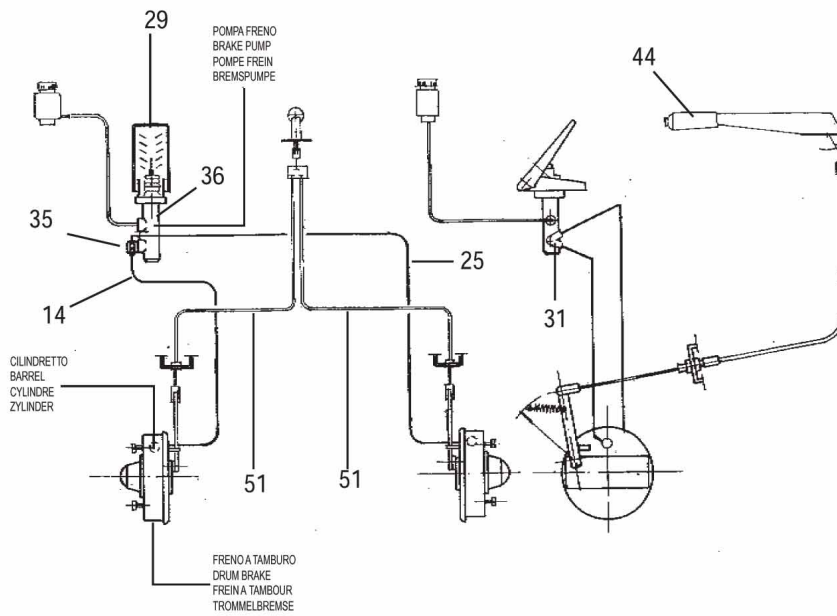
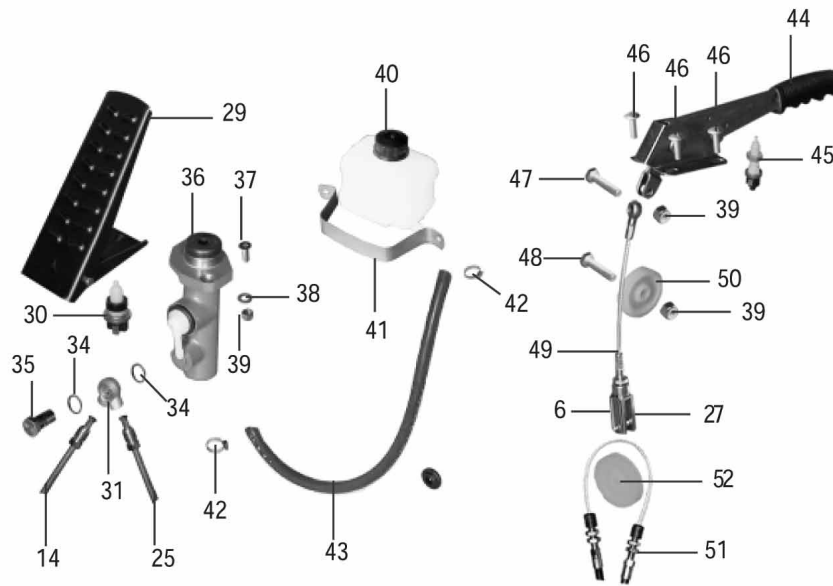
2016.12.06

Pos.	Product no	QTY	Description	Notes
1	33023124	2	WHEEL SUPERELASTIC CONTINENTAL 4.00/8SIP	
2	33023375	2	WHEEL CPL 4.00/8 PNEUMATIC SIP	
3	33009699	2	RING SUPERELASTIC REAR	[1]
4	33009682	2	TYRE 4.00	[2]
5	33023371	2	RIM F 4.00/8 WHEEL SIP	
6	145 8473 000	1	SPRING PIN M8X32 GALV.	
7	33023369	2	STUD BOLT F WHEELS KIT	
8	33023370	2	TUBE INNER 4.00/8 SIP	
9	33007636	10	STUD BOLT M16X1.5 L.38MM	[2]
10	33013126	2	FLANGE	[3]
11	33013127	2	DRUM BRAKE	[1]
12	33004159	8	SCREW M8X20 CAP HD HEX SOCK SS ISO4762	[2]
14	33003628	1	PIPE COPPER L.1680 F BRAKE	[1]
15	33009712	2	CAP D47	[3]
16	33005777	2	PIN SPLIT 3.2X32 GALV. ISO1234	
17	33005649	2	NUT HEX M14X1.5 CASTLE DIN935	[3]
18	33013129	2	WASHER PLAIN D.14.5X26X4 GALV.	[1]
19	33003178	2	BEARING TAPER ROLLER 30204	[3]
20	33003181	2	BEARING TAPER ROLLER 30205	[3]
21	L08603005	2	OIL SEAL TYPE N004/14	[3]
22	146 1454 000	8	SCREW M10X30 C/SUNK FLAT HD HEX ISO10642	[3]
23	33005566	8	NUT LOCK HEX M10 ISO7040	
24	33009717	4	SPRING DRUM MASS	[4]
25	33003627	1	PIPE COPPER L.800 F BRAKE	[1]
26	33009729	2	BRAKE SHOES KIT	[5]
27	145 8472 000	1	CLEVIS M8X32 GALV. DIN71752	[1]
28	33009715	2	BRAKE CYLINDER	[6]
29	33009630	1	BRAKE PEDAL	[3]
30	33008740	1	MICROSWITCH F/STOPLIGHT	
31	33008134	1	FITTING BRASS 2 WAYS M10X1.25 FLARED	[1]
32	33020744	1	DRUM BRAKE RIGHT KIT	[3]
33	33020745	1	DRUM BRAKE LEFT KIT	[3]
34	145 5172 000	2	SEAL BONDED 1/2	[1]
35	33011346	1	BANJO BOLT M12X1.5 BRAKE PUMP	[2]
36	33009629	1	PUMP	[3]
37	33004593	2	SCREW M8X25 C/SUNK FLAT HD HEX ISO10642	
38	33003740	2	WASHER PLAIN M8X20X1.25 DIN522	
39	33005565	4	NUT LOCK HEX M8 ISO7040	
40	33009571	1	BRAKE OIL TANK	[1]
41	33009572	1	TANK CLAMP	[2]
42	33023594	1	CLAMP HOSE 8-12/9 DIN3017 2 PCS SET	
43	33015233	1	HOSE RUBBER NBR YARN COV.6X13 L.2000 SIP	[2]
44	33003395	1	HANDBRAKE LEVER	[3]
45	33008741	1	MICROSWITCH F/PARKBRAKE	[3]
46	33005026	4	SCREW M6X20 POELIER NF E 25-191	[1]
47	33005445	1	SCREW M8X25 HEX HD F/THD ISO4017	
48	33003790	1	SCREW M8X40 HEX HD P/THD ISO4014	[1]
49	33001281	1	TIE-ROD EYE F HAND BRAKE	[1]
50	33003399	1	PULLEY	[3]
51	33001284	1	CABLE F/HANDBRAKE	[1]
52	33002022	1	PULLEY	[1]
53	33014171	2	WHEEL PNEUMATIC 4008 PIRELLI	[7]
54	33009698	2	PIRELLI TYRE	[7]

Part Notes:

- [1] - GUARANTEE DATE EXPIRED
- [2] - NO LONGER AVAILABLE
- [3] - STOCK COVERS GUARANTEE
- [4] - ITEM NO LONGER AVAILABLE

- [5] - PART OF MACH. NOT LAUNCH
- [6] - SEE TSB-FC-2014-015
- [7] - SEE PI 2017-002

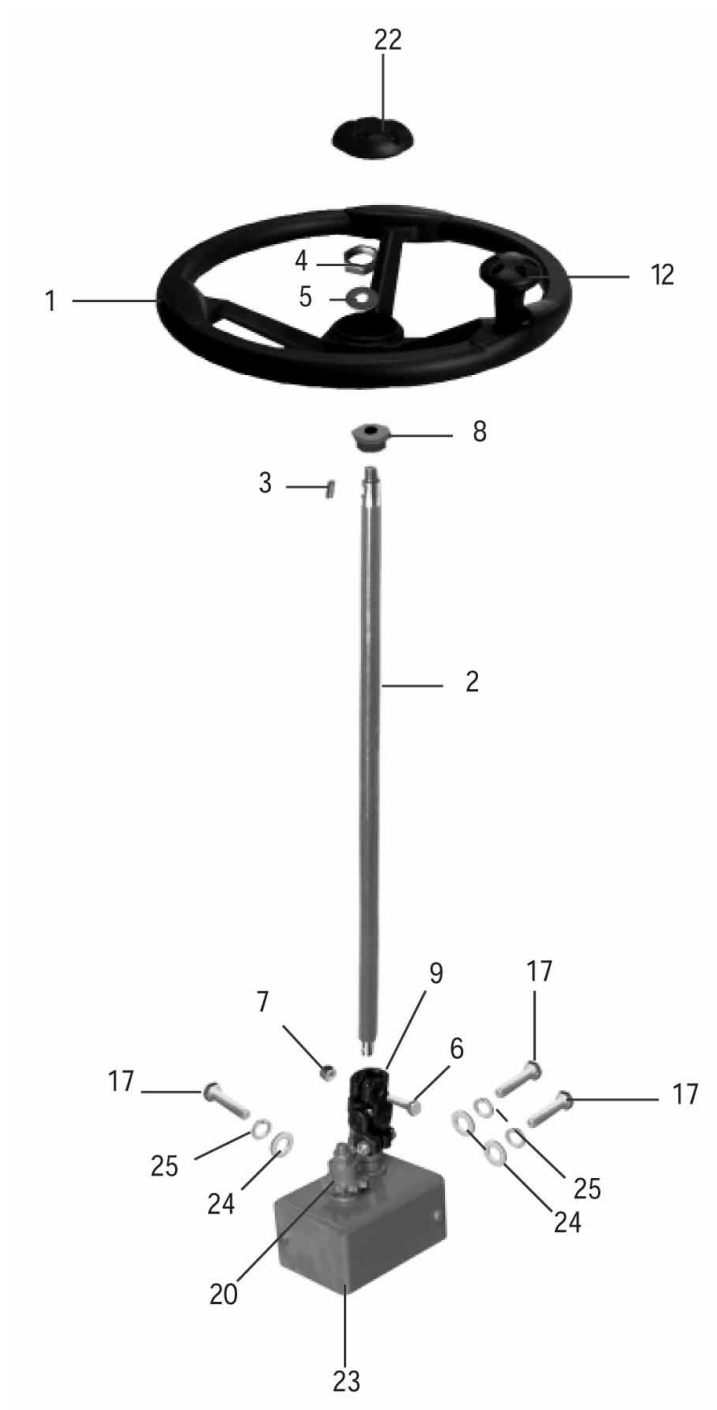


Pos.	Product no	QTY	Description	Notes
01	33023124	2	WHEEL SUPERELASTIC CONTINENTAL 4.00/8SIP	
02	33023375	2	WHEEL CPL 4.00/8 PNEUMATIC SIP	
03	33009699	2	RING SUPERELASTIC REAR	[1]
04	33009682	2	TYRE 4.00	[2]
05	33023371	2	RIM F 4.00/8 WHEEL SIP	
06	145 8473 000	1	SPRING PIN M8X32 GALV.	
07	33023369	2	STUD BOLT F WHEELS KIT	
08	33023370	2	TUBE INNER 4.00/8 SIP	
09	33007636	10	STUD BOLT M16X1.5 L.38MM	[2]
10	33013126	2	FLANGE	[3]
11	33013127	2	DRUM BRAKE	[1]
12	33004159	8	SCREW M8X20 CAP HD HEX SOCK SS ISO4762	[2]
14	33003628	1	PIPE COPPER L.1680 F BRAKE	[1]
15	33009712	2	CAP D47	[3]
16	33005777	2	PIN SPLIT 3.2X32 GALV. ISO1234	
17	33005649	2	NUT HEX M14X1.5 CASTLE DIN935	[3]
18	33013129	2	WASHER PLAIN D.14.5X26X4 GALV.	[1]
19	33003178	2	BEARING TAPER ROLLER 30204	[3]
20	33003181	2	BEARING TAPER ROLLER 30205	[3]
21	L08603005	2	OIL SEAL TYPE N004/14	[3]
22	146 1454 000	8	SCREW M10X30 C/SUNK FLAT HD HEX ISO10642	[3]
23	33005566	8	NUT LOCK HEX M10 ISO7040	
24	33009717	4	SPRING DRUM MASS	[4]
25	33003627	1	PIPE COPPER L.800 F BRAKE	[1]
26	33009729	2	BRAKE SHOES KIT	[5]
27	145 8472 000	1	CLEVIS M8X32 GALV. DIN71752	[1]
28	33009715	2	BRAKE CYLINDER	[6]
29	33009630	1	BRAKE PEDAL	[3]
30	33008740	1	MICROSWITCH F/STOPLIGHT	
31	33008134	1	FITTING BRASS 2 WAYS M10X1.25 FLARED	[1]
32	33020744	1	DRUM BRAKE RIGHT KIT	[3]
33	33020745	1	DRUM BRAKE LEFT KIT	[3]
34	145 5172 000	2	SEAL BONDED 1/2	[1]
35	33011346	1	BANJO BOLT M12X1.5 BRAKE PUMP	[2]
36	33009629	1	PUMP	[3]
37	33004593	2	SCREW M8X25 C/SUNK FLAT HD HEX ISO10642	
38	33003740	2	WASHER PLAIN M8X20X1.25 DIN522	
39	33005565	4	NUT LOCK HEX M8 ISO7040	
40	33009571	1	BRAKE OIL TANK	[1]
41	33009572	1	TANK CLAMP	[2]
42	33023594	1	CLAMP HOSE 8-12/9 DIN3017 2 PCS SET	
43	33015233	1	HOSE RUBBER NBR YARN COV.6X13 L.2000 SIP	[2]
44	33003395	1	HANDBRAKE LEVER	[3]
45	33008741	1	MICROSWITCH F/PARKBRAKE	[3]
46	33005026	4	SCREW M6X20 POELIER NF E 25-191	[1]
47	33005445	1	SCREW M8X25 HEX HD F/THD ISO4017	
48	33003790	1	SCREW M8X40 HEX HD P/THD ISO4014	[1]
49	33001281	1	TIE-ROD EYE F HAND BRAKE	[1]
50	33003399	1	PULLEY	[3]
51	33001284	1	CABLE F/HANDBRAKE	[1]
52	33002022	1	PULLEY	[1]
53	33014171	2	WHEEL PNEUMATIC 4008 PIRELLI	[7]
54	33009698	2	PIRELLI TYRE	[7]

Part Notes:

- [1] - GUARANTEE DATE EXPIRED
- [2] - NO LONGER AVAILABLE
- [3] - STOCK COVERS GUARANTEE
- [4] - ITEM NO LONGER AVAILABLE

- [5] - PART OF MACH. NOT LAUNCH
- [6] - SEE TSB-FC-2014-015
- [7] - SEE PI 2017-002



STEERING BOX

SR 1550C D

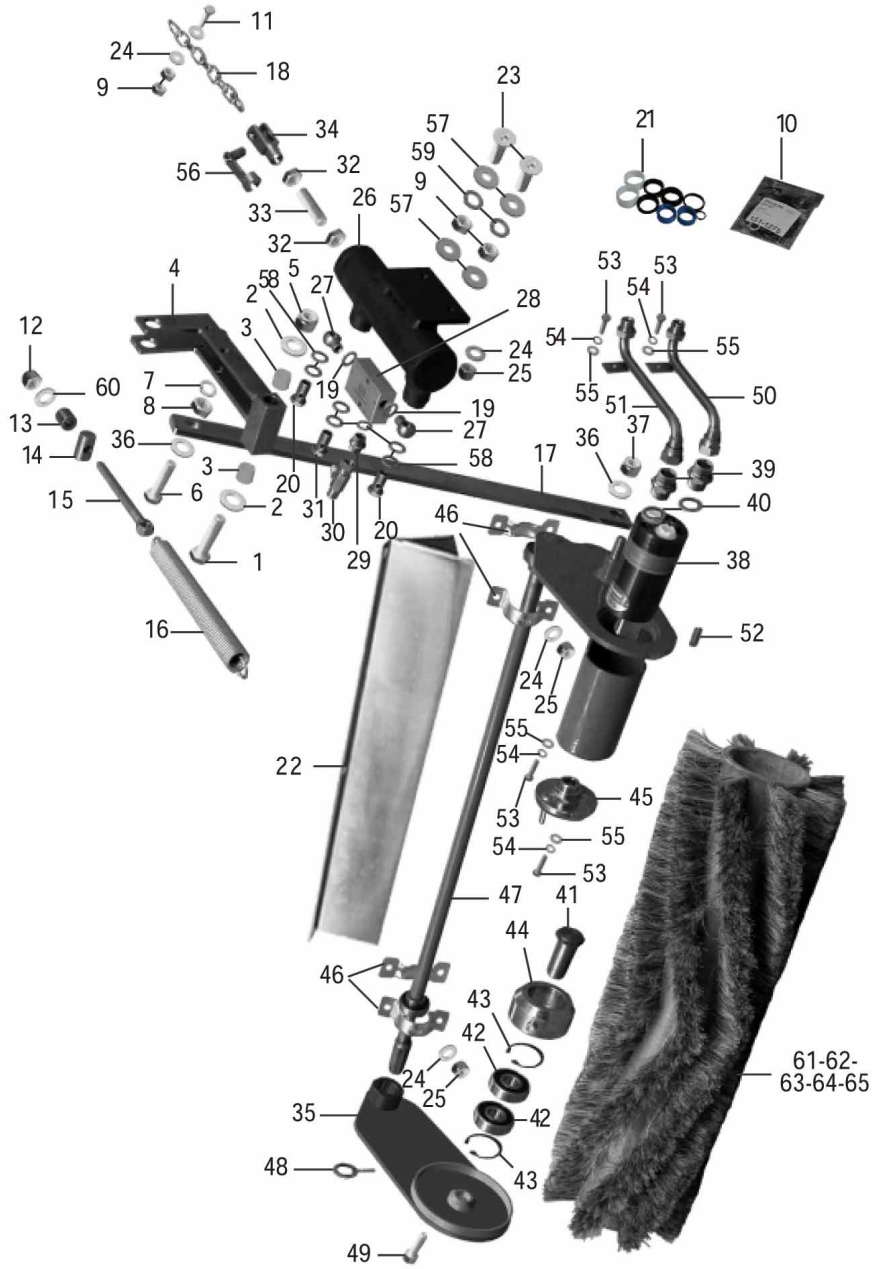
2017.11.02

2017.06.19

Pos.	Product no	QTY	Description	Notes
01	33009612	1	STEERING WHEEL D.360 W/KNOB TAPER 1/20	[1]
02	33013216	1	STEERING-COLUMN	[2]
03	146 1017 000	1	KEY 5X5X15 UNI6604A	
04	145 9206 000	1	NUT HEX M16 MEDIUM ISO8673	
05	33023628	1	WASHER PLAIN M16X30 ISO7089 10PCS.SET	
06	33003789	2	SCREW M8X35 HEX HD P/THD ISO4014	[2]
07	33023574	2	NUT LOCK HEX M8 ISO10511 PCS 10 SET	
08	33001334	1	BUSHING	[2]
09	33003054	1	JOINT UNIVERSAL D.17	
12	33009614	1	KNOB STEERING WHEEL	[2]
17	33004008	3	SCREW M10X20 HEX HD F/THD ISO4017	[1]
20	33001335	1	SPROCKET T11	[2]
22	33009613	1	STEERING WHEEL CAP	[2]
23	33012611	1	BOX STEERING	[3]
24	33005916	3	WASHER PLAIN M10X20 ISO7089	
25	33005843	3	WASHER SPRING LOCK M10 DIN127-B	

Part Notes:

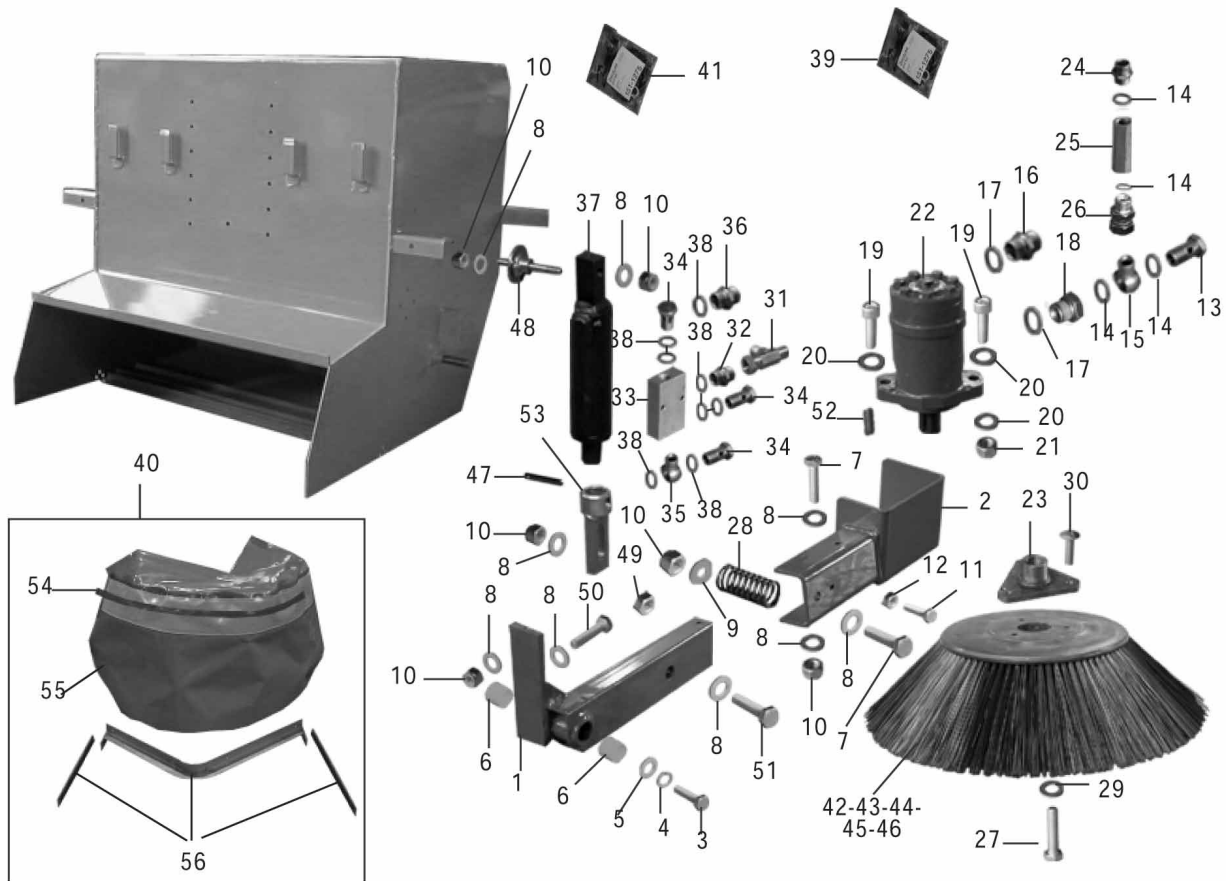
- [1] - NO LONGER AVAILABLE
- [2] - STOCK COVERS GUARANTEE
- [3] - GUARANTEE DATE EXPIRED



Pos.	Product no	QTY	Description	Notes
61	33011911	1	BROOM MAIN 310X900 CHEVRON 6R PPL 0.5	
62	33014589	1	BROOM MAIN 310X900 CHEVRON 6R UNION MIX	[1]
63	33011912	1	BROOM MAIN 310X900 CHEVRON 6R MIX STELL	
64	33011916	1	BROOM MAIN 310X900 CHEVRON 6R MIX STELL	[2]
65	33014588	1	BROOM MAIN 310X900 CHEVRON 6R PPL 1.2	[1]

Part Notes:

- [1] - PRUNED ACCESSORY
- [2] - STOCK COVERS GUARANTEE



RIGHT SIDE BROOM

SR 1550C D

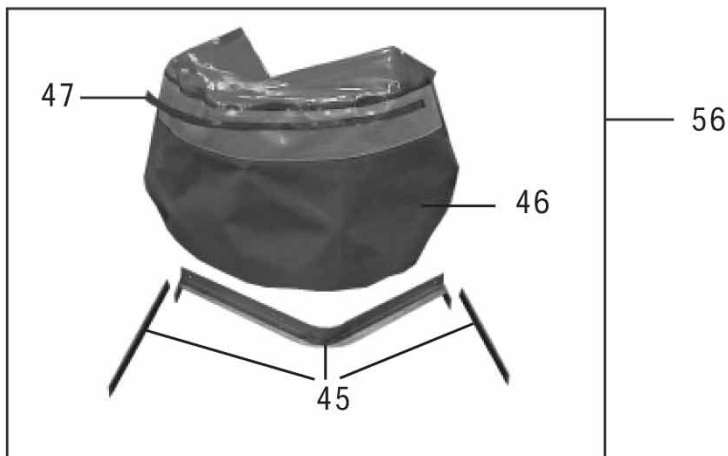
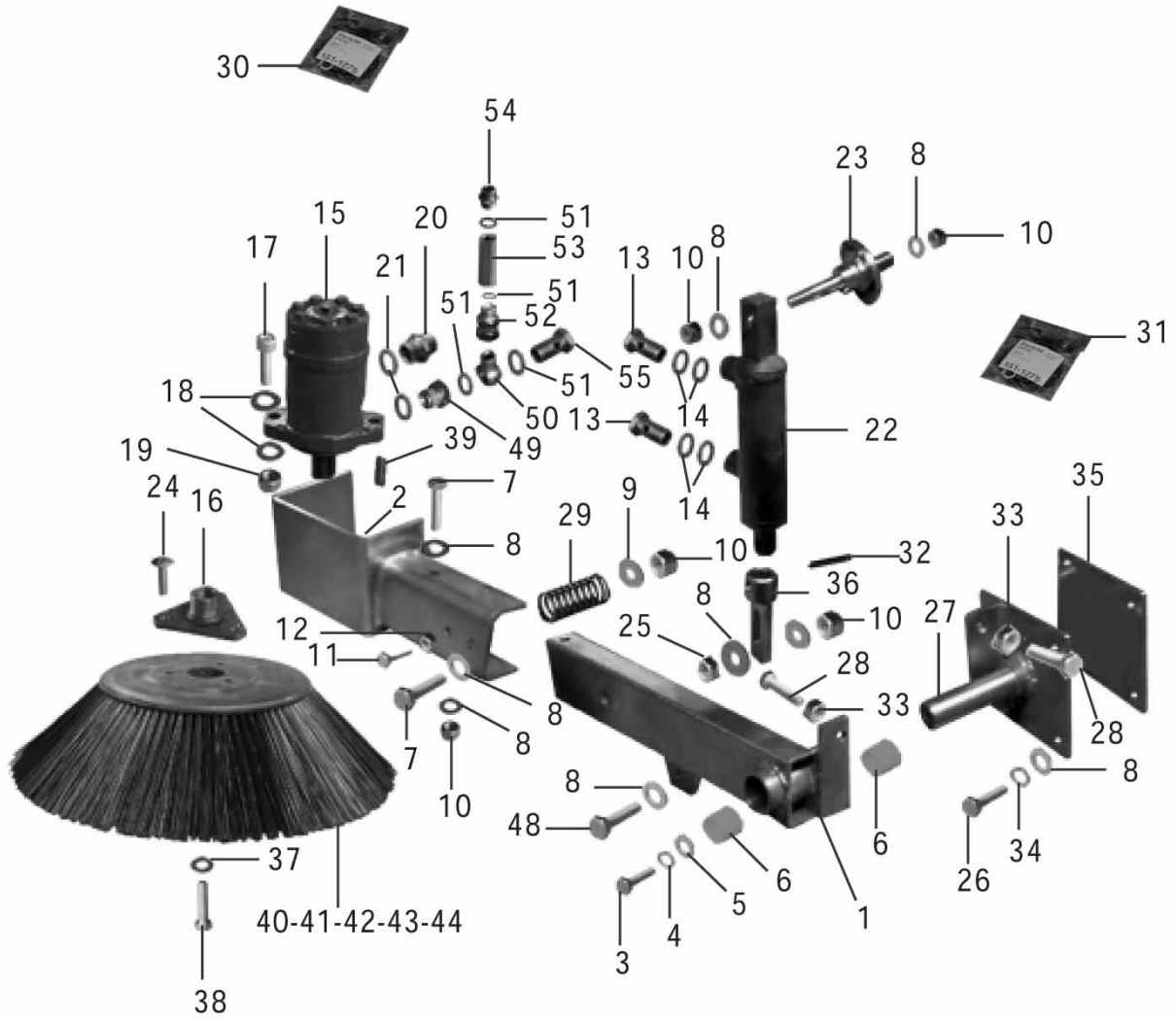
2017.11.02

2018.01.31

Pos.	Product no	QTY	Description	Notes
01	33013239	1	ARM HOLDER SUPPORT MAIN BROOM	[1]
02	33013240	1	SUPPORT SIDE BROOM MOTOR GALV.	[1]
03	33023307	1	SCREW M8X16 HEX HD ISO4017 10 PCS SET	
04	33023223	1	WASHER SPRING LOCK M8 DIN127B 10 PCS SET	
05	33003740	2	WASHER PLAIN M8X20X1.25 DIN522	
06	33003091	2	BEARING SLEEVE IGLIDUR GSM-2023-20	
07	33003818	2	SCREW M10X90 HEX HD P/THD ISO4014	[2]
08	33023224	1	WASHER PLAIN M10 ISO7089 10 PCS SET	
09	33013132	1	GUIDE	[3]
10	33005566	6	NUT LOCK HEX M10 ISO7040	
11	33005445	1	SCREW M8X25 HEX HD F/THD ISO4017	
12	33005533	1	NUT HEX M8 LOW ISO4035	
13	33011255	1	BANJO BOLT 3/8	[3]
14	33023468	1	SEAL BONDED 3/8 10 PCS SET	[1]
15	33011475	1	EYE 3/8	[3]
16	33011208	1	NIPPLE 3/8-1/2	[3]
17	145 5172 000	2	SEAL BONDED 1/2	[1]
18	33011493	1	REDUCTION 1/2 - 3/8	[1]
19	33004410	2	SCREW M12X40 CAP HD HEX SOCK ISO4762	[3]
20	33003720	4	WASHER PLAIN M12X24 ISO7089	
21	1467685000	2	NUT LOCK HEX M12 LOW ISO10511 5 PCS SET	
22	33018183	1	MOTOR HYDRAULIC MP 160 C-PAINTED	
23	33001529	1	BRIDE PORTE-BROSSE	
24	33011185	1	NIPPLE 3/8	[3]
25	33010481	1	CHECK VALVE FF 3/8 VU-G3/8	
26	33011401	1	ROTATING JOINT 3/8	[2]
27	33003996	1	SCREW M8X30 HEX HD F/THD ISO4017	
28	33000900	1	SPRING COMPRESSION D.E.32.40 WIRE D.3.5	[3]
29	33013133	1	WASHER PLAIN D.8.5X45X5 GALV.	[4]
30	33005045	3	SCREW M8X45 POELIER NF E 25-208	[3]
31	33011235	1	T-FITTING 3/8	[1]
32	33011205	1	NIPPLE 3/8-1/4	[2]
33	33010483	1	CHECK VALVE 1/4 SINGLE PILOT OPERATED	[3]
34	33011254	3	BANJO BOLT 1/4	
35	33011485	1	EYE WITH COUNTERBORING 1/	[4]
36	33011195	1	NIPPLE 1/4	[5]
37	33001470	1	CYLINDER 30/20 50	[1]
38	1467007000	1	SEAL BONDED 1/4 10 PCS SET	
39	33011845	1	GASKET KIT CENTRAL SIDE	[1]
40	33000629	1	ASSEMBLY DUST RIGHT PROTECTION	[6]
41	33011772	1	GASKET KIT CYL FLAP/SIDE	[1]
42	33011951	1	BROOM SIDE 250X550 PPL 1.2	
43	33011952	1	BROOM SIDE 250X550 NYLON	
44	33011953	1	BROOM SIDE NYLON MIX STEEL	
45	33011954	1	BROOM SIDE 250X550 MIX STEEL	
46	33011955	1	BROOM SIDE 250X550 STEEL	
47	33003383	1	SPRING PIN 10X40 ISO8752	[4]
48	33013136	1	PIN	[1]
49	33005534	1	NUT HEX M10 LOW ISO4035	
50	33004016	1	SCREW M10X60 HEX HD F/THD ISO4017	[3]
51	33004018	1	SCREW M10X70 HEX HD F/THD ISO4017	[3]
52	33007740	1	KEY 8X32	[3]
53	33013241	1	CONNECTION	[1]
54	33022564	1	DUST GUARD STRAP KIT	[1]
55	33011986	1	DUST SEAL HOOD RIGHT	[1]
56	33023234	1	SUPPORT RT DUST GUARD SIP	[1]

Part Notes:

- [1] - GUARANTEE DATE EXPIRED
- [2] - NO LONGER AVAILABLE
- [3] - STOCK COVERS GUARANTEE
- [4] - ITEM NO LONGER AVAILABLE
- [5] - SEE PI 2017-002
- [6] - PRUNED ACCESSORY



LEFT SIDE BROOM

SR 1550C D

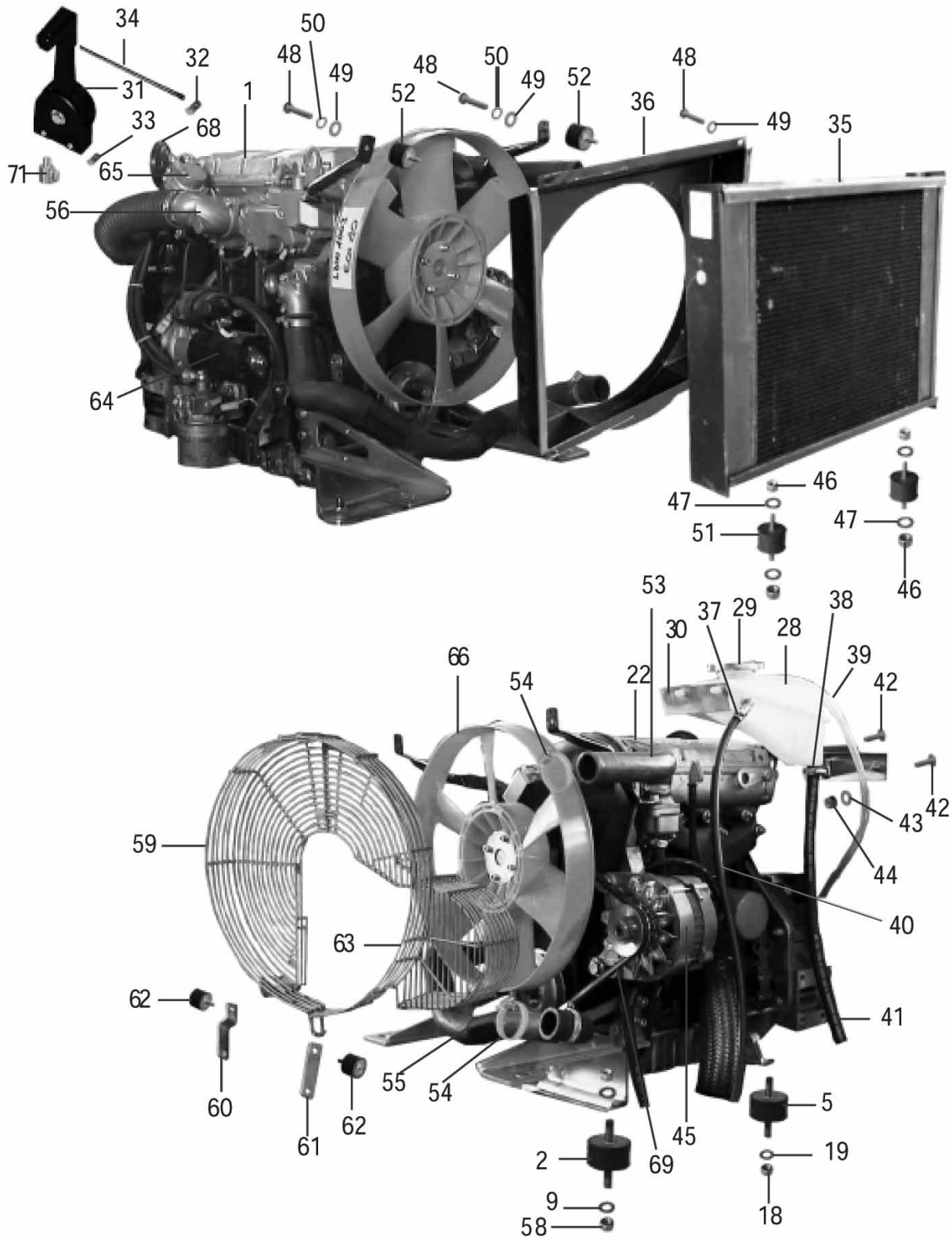
2017.11.02

2018.01.31

Pos.	Product no	QTY	Description	Notes
00	33019158	1	BROOM LEFT SIDE PPL KIT	[1]
01	33013242	1	ARM SUPPORT LT BROOM	[1]
02	33013243	1	SUPPORT LT HYDRAULIC MOTOR HOLDER GALV.	[2]
03	33003993	1	SCREW M8X16 HEX HD F/THD ISO4017	
04	33005842	1	WASHER SPRING LOCK M8 DIN127-B	
05	145 9171 000	1	WASHER PLAIN M8X32X2.5 GALV UNI6593	
06	33003091	2	BEARING SLEEVE IGLIDUR GSM-2023-20	
07	33003818	2	SCREW M10X90 HEX HD P/THD ISO4014	[3]
08	33005916	13	WASHER PLAIN M10X20 ISO7089	
09	33013132	1	GUIDE	[2]
10	33005566	4	NUT LOCK HEX M10 ISO7040	
11	33005445	1	SCREW M8X25 HEX HD F/THD ISO4017	
12	33005533	1	NUT HEX M8 LOW ISO4035	
13	33011254	2	BANJO BOLT 1/4	
14	33011718	4	SEAL BONDED 1/4	
15	33018183	1	MOTOR HYDRAULIC MP 160 C-PAINTED	
16	33001529	1	BRIDE PORTE-BROSSE	
17	33004410	2	SCREW M12X40 CAP HD HEX SOCK ISO4762	[2]
18	33003720	4	WASHER PLAIN M12X24 ISO7089	
19	1467685000	2	NUT LOCK HEX M12 LOW ISO10511 5 PCS SET	
20	33011208	2	NIPPLE 3/8-1/2	[2]
21	145 5172 000	2	SEAL BONDED 1/2	[1]
22	33001470	1	CYLINDER 30/20 50	[1]
23	33013136	1	PIN	[1]
24	33005045	3	SCREW M8X45 POELIER NF E 25-208	[2]
25	33005534	1	NUT HEX M10 LOW ISO4035	
26	33023182	1	SCREW M10X35 HEX HD ISO4017 10 PCS SET	[2]
27	33013244	1	FLANGE	[1]
28	33004013	2	SCREW M10X45 HEX HD F/THD ISO4017	[3]
29	33000900	1	SPRING COMPRESSION D.E.32.40 WIRE D.3.5	[2]
30	33011845	1	GASKET KIT CENTRAL SIDE	[1]
31	33011772	1	GASKET KIT CYL FLAP/SIDE	[1]
32	33013751	1		
33	33005505	2	NUT HEX M10 MEDIUM ISO4032	
34	33005843	4	WASHER SPRING LOCK M10 DIN127-B	
35	33013141	1	COUNTERPLATE	[1]
36	33013241	1	CONNECTION	[1]
37	33013133	1	WASHER PLAIN D.8.5X45X5 GALV.	[4]
38	33003996	1	SCREW M8X30 HEX HD F/THD ISO4017	
39	33007740	1	KEY 8X32	[2]
41	33011952	1	BROOM SIDE 250X550 NYLON	
40	33011951	1	BROOM SIDE 250X550 PPL 1.2	
42	33011953	1	BROOM SIDE NYLON MIX STEEL	
43	33011954	1	BROOM SIDE 250X550 MIX STEEL	
44	33011955	1	BROOM SIDE 250X550 STEEL	
45	33023234	1	SUPPORT RT DUST GUARD SIP	[1]
46	33011987	1	DUST SEAL HOOD LEFT	[1]
47	33022564	1	DUST GUARD STRAP KIT	[1]
48	33004014	1	SCREW M10X50 HEX HD F/THD ISO4017	[3]
49	33011493	1	REDUCTION 1/2 - 3/8	[1]
50	33011475	1	EYE 3/8	[2]
51	33023468	4	SEAL BONDED 3/8 10 PCS SET	[1]
52	33011401	1	ROTATING JOINT 3/8	[3]
53	33010481	1	CHECK VALVE FF 3/8 VU-G3/8	
54	33011185	1	NIPPLE 3/8	[2]
55	33011255	1	BANJO BOLT 3/8	[2]
56	33000631	1	DUST PROTECTION FOR	[5]

Part Notes:

- [1] - GUARANTEE DATE EXPIRED
- [2] - STOCK COVERS GUARANTEE
- [3] - NO LONGER AVAILABLE
- [4] - ITEM NO LONGER AVAILABLE
- [5] - PRUNED ACCESSORY



Resource notes:

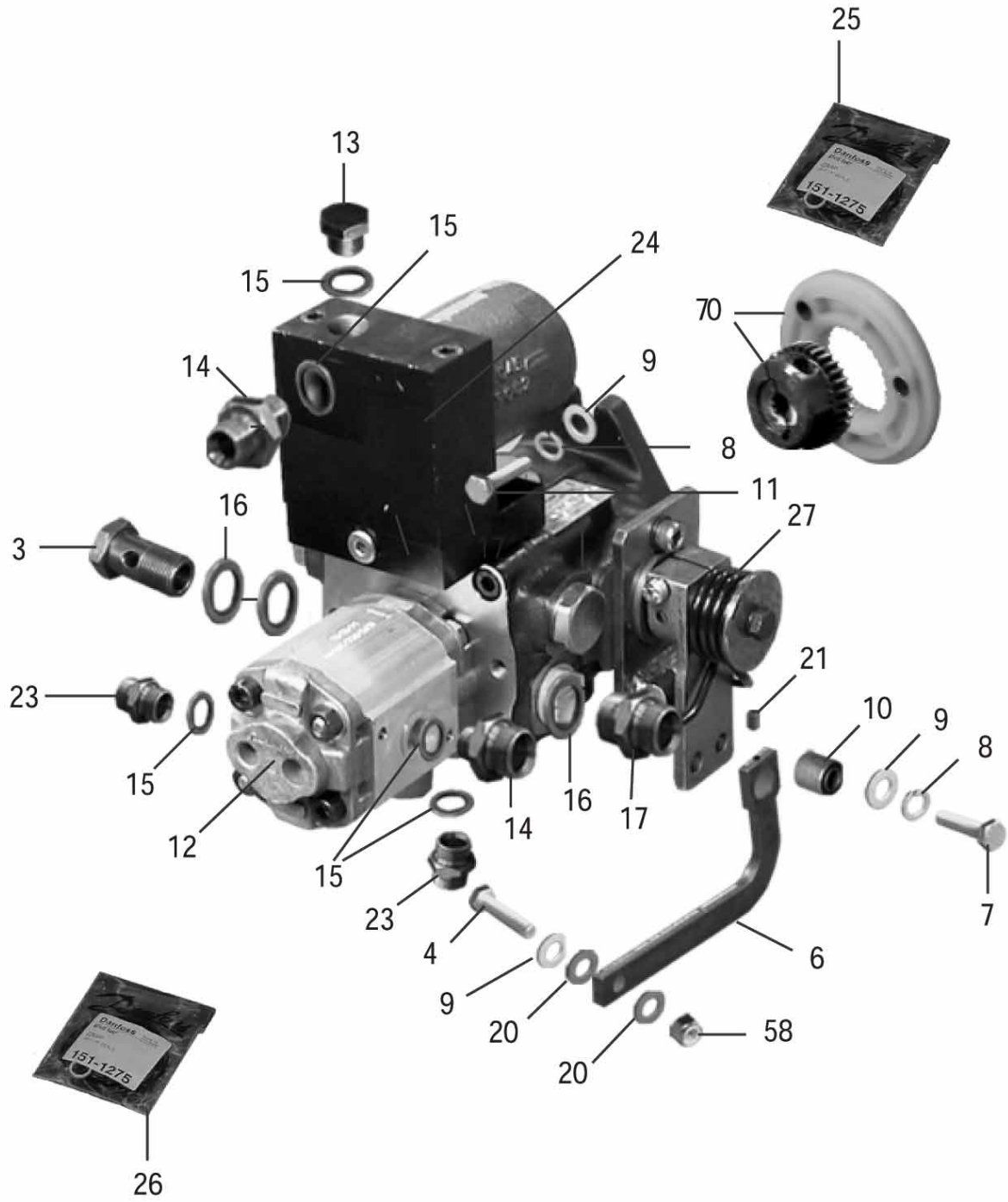
POSITION 20 33005679 NO LONGER AVAILABLE AS SPARE POSITION 21 33005277 NO LONGER AVAILABLE AS SPARE

Pos.	Product no	QTY	Description	Notes
01	33014694	1	ENGINE DIESEL LDW 1003	[1]
02	33003139	2	VIBRATION-DAMPING M12 60SH D.60	[2]
03	33011256	1	BANJO BOLT 1/2	[1]
04	33003809	1	SCREW M10X40 HEX HD P/THD ISO4014	[1]
05	33003139	2	VIBRATION-DAMPING M12 60SH D.60	[2]
06	33013255	1	LEVER D	[1]
07	33023182	1	SCREW M10X35 HEX HD ISO4017 10 PCS SET	[2]
08	33005843	3	WASHER SPRING LOCK M10 DIN127-B	
09	33023224	8	WASHER PLAIN M10 ISO7089 10 PCS SET	
10	33003140	1	VIBRATION-DAMPING	[2]
11	33004009	2	SCREW M10X25 HEX HD F/THD ISO4017	
12	33010384	1	GEAR PUMP	[2]
13	33011472	1	PLUG HEX HD 3/8 CYL.	[3]
14	33011208	2	NIPPLE 3/8-1/2	[2]
15	33023468	1	SEAL BONDED 3/8 10 PCS SET	[1]
16	145 5172 000	3	SEAL BONDED 1/2	[1]
17	33011186	1	NIPPLE 1/2	[4]
18	33005571	4	NUT LOCK HEX M12X1.25 ISO10512	[2]
19	33003720	4	WASHER PLAIN M12X24 ISO7089	
22	33011548	1	CAP FILLER OPENING	[4]
23	33011185	2	NIPPLE 3/8	[2]
24	33010388	1	PUMP TRACTION	[3]
25	33011800	1	GASKET KIT	[2]
26	33011765	1	GASKET KIT	[2]
27	33003222	1	SPRING F PUMP TRACTION	[2]
28	33009569	1	EXPANSION TANK	[1]
29	33011537	1	PLUG	[1]
30	33013181	1	SUPPORT	[3]
31	33003324	1	ACCELERATOR LEVER	[2]
32	33003416	1	CLAMP D2.5	[4]
33	33003422	1	CLAMP D2.2	[2]
34	33015271	1	ACCELERATOR THREAD L2100	[2]
35	33009999	1	RADIATOR	[1]
36	33010004	1	CONVEYOR	[1]
37	33023594	2	CLAMP HOSE 8-12/9 DIN3017 2 PCS SET	
38	33003494	3	CLAMP 12-22	
39	33017997	1		
40	33023425	1	HOSE FUEL D.7.9X14.3 L.3000MM SIP	[4]
41	33015232	1	HOSE RUBBER BLACK D.16X23 L.7000MM	[1]
42	33005039	2	SCREW M8X16 POELIER NF E 25-201	[5]
43	33023223	2	WASHER SPRING LOCK M8 DIN127B 10 PCS SET	
44	146 1567 000	2	NUT HEX M8 HIGHT ISO4033	[5]
45	33008156	1	ALTERNATOR 14V 65A	[2]
46	33023207	4	NUT LOCK HEX M8 ISO7040 10 PCS SET	
47	33023208	4	WASHER PLAIN M8 ISO7089 10 PCS SET	
48	33023255	6	SCREW M6X16 HEX ISO4017 10 PCS SET	
49	33023396	1	WASHER PLAIN M6X12 ISO7089 10 PCS SET	
50	33005851	2	WASHER SPRING LOCK M6 DIN127-B	
51	33003148	2	VIBRATION -DAMPING	[4]
52	33003147	2	VIBRATION -DAMPING	[1]
53	33010277	1	UPPER RADIATOR SLEEVE	[4]
54	33003499	4	CLAMP 32-50	[5]
55	33010243	1	LOWER RADIATOR SLEEVE	[1]
56	33010241	1	ELBOW	[5]
58	33005566	5	NUT LOCK HEX M10 ISO7040	
59	33010019	1	PROTECTION FAN	[1]
60	33009950	1	LEFT BRACKET	[5]
61	33009951	1	RIGHT BRACKET	[5]
62	33003146	2	VIBRATION-DAMPING	[4]

Pos.	Product no	QTY	Description	Notes
63	33008157	1	PROTECTION ALTERNATOR	[1]
64	33008206	1	STARTER	[1]
65	33010284	1	PUMP	[2]
66	33010020	1	LDW 903 FAN	[1]
68	33010501	1	VALVE DEPRESSION ENGINE MOTOR	[4]
69	33002993	1	BELT F DIESEL ENGINE FAN	[4]
70	33010457	1	JOINT COMPLETE	[5]
71	33003426	1	CLAMP	[4]

Part Notes:

- [1] - GUARANTEE DATE EXPIRED
- [2] - STOCK COVERS GUARANTEE
- [3] - ITEM NO LONGER AVAILABLE
- [4] - NO LONGER AVAILABLE
- [5] - SEE PI 2017-002

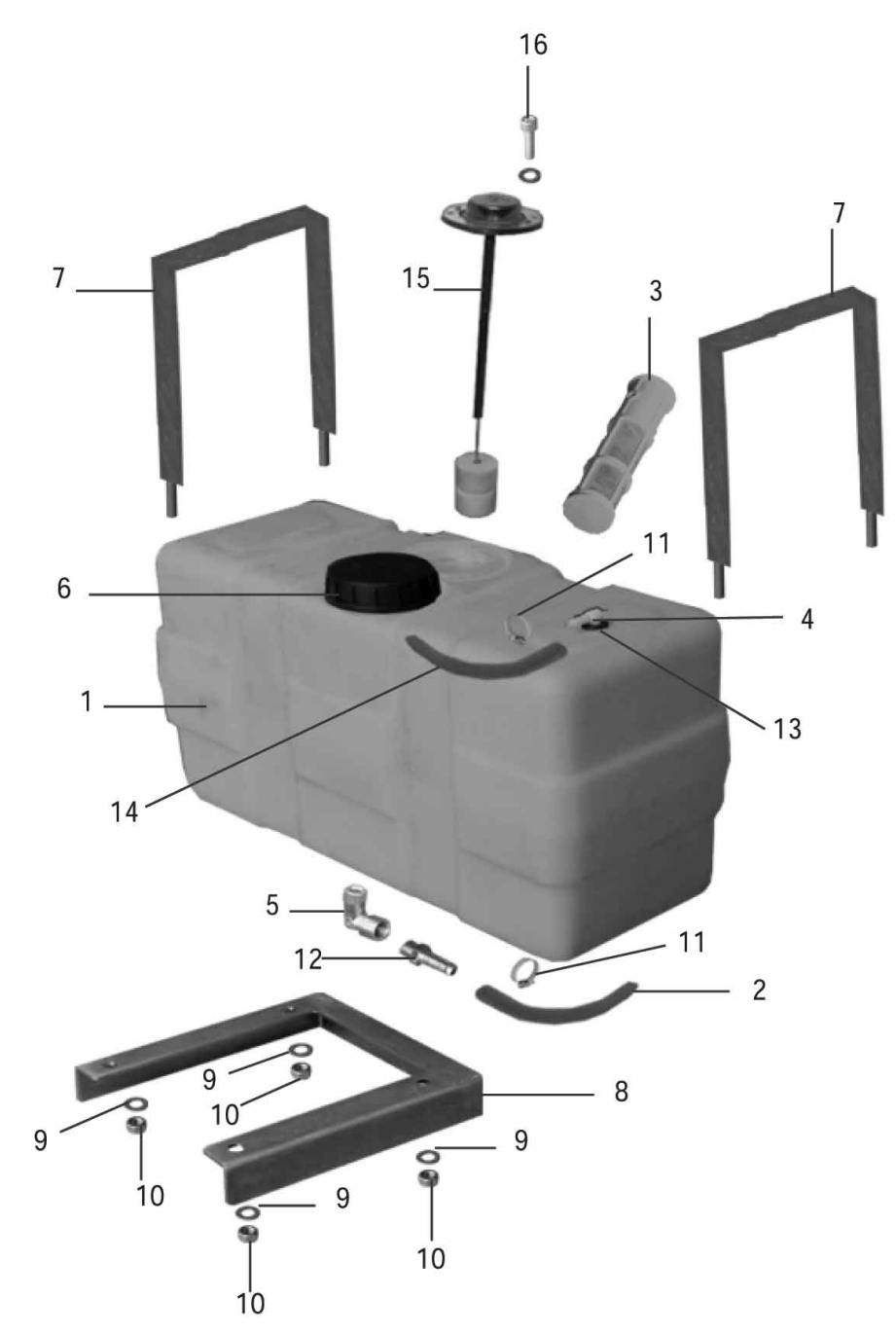


Pos.	Product no	QTY	Description	Notes
01	33014694	1	ENGINE DIESEL LDW 1003	[1]
02	33003139	2	VIBRATION-DAMPING M12 60SH D.60	[2]
03	33011256	1	BANJO BOLT 1/2	[1]
04	33003809	1	SCREW M10X40 HEX HD P/THD ISO4014	[1]
05	33003139	2	VIBRATION-DAMPING M12 60SH D.60	[2]
06	33013255	1	LEVER D	[1]
07	33023182	1	SCREW M10X35 HEX HD ISO4017 10 PCS SET	[2]
08	33005843	3	WASHER SPRING LOCK M10 DIN127-B	
09	33023224	8	WASHER PLAIN M10 ISO7089 10 PCS SET	
10	33003140	1	VIBRATION-DAMPING	[2]
11	33004009	2	SCREW M10X25 HEX HD F/THD ISO4017	
12	33010384	1	GEAR PUMP	[2]
13	33011472	1	PLUG HEX HD 3/8 CYL.	[3]
14	33011208	2	NIPPLE 3/8-1/2	[2]
15	33023468	1	SEAL BONDED 3/8 10 PCS SET	[1]
16	145 5172 000	3	SEAL BONDED 1/2	[1]
17	33011186	1	NIPPLE 1/2	[4]
18	33005571	4	NUT LOCK HEX M12X1.25 ISO10512	[2]
19	33003720	4	WASHER PLAIN M12X24 ISO7089	
22	33011548	1	CAP FILLER OPENING	[4]
23	33011185	2	NIPPLE 3/8	[2]
24	33010388	1	PUMP TRACTION	[3]
25	33011800	1	GASKET KIT	[2]
26	33011765	1	GASKET KIT	[2]
27	33003222	1	SPRING F PUMP TRACTION	[2]
28	33009569	1	EXPANSION TANK	[1]
29	33011537	1	PLUG	[1]
30	33013181	1	SUPPORT	[3]
31	33003324	1	ACCELERATOR LEVER	[2]
32	33003416	1	CLAMP D2.5	[4]
33	33003422	1	CLAMP D2.2	[2]
34	33015271	1	ACCELERATOR THREAD L2100	[2]
35	33009999	1	RADIATOR	[1]
36	33010004	1	CONVEYOR	[1]
37	33023594	2	CLAMP HOSE 8-12/9 DIN3017 2 PCS SET	
38	33003494	3	CLAMP 12-22	
39	33017997	1		
40	33023425	1	HOSE FUEL D.7.9X14.3 L.3000MM SIP	[4]
41	33015232	1	HOSE RUBBER BLACK D.16X23 L.7000MM	[1]
42	33005039	2	SCREW M8X16 POELIER NF E 25-201	[5]
43	33023223	2	WASHER SPRING LOCK M8 DIN127B 10 PCS SET	
44	146 1567 000	2	NUT HEX M8 HIGHT ISO4033	[5]
45	33008156	1	ALTERNATOR 14V 65A	[2]
46	33023207	4	NUT LOCK HEX M8 ISO7040 10 PCS SET	
47	33023208	4	WASHER PLAIN M8 ISO7089 10 PCS SET	
48	33023255	6	SCREW M6X16 HEX ISO4017 10 PCS SET	
49	33023396	1	WASHER PLAIN M6X12 ISO7089 10 PCS SET	
50	33005851	2	WASHER SPRING LOCK M6 DIN127-B	
51	33003148	2	VIBRATION -DAMPING	[4]
52	33003147	2	VIBRATION -DAMPING	[1]
53	33010277	1	UPPER RADIATOR SLEEVE	[4]
54	33003499	4	CLAMP 32-50	[5]
55	33010243	1	LOWER RADIATOR SLEEVE	[1]
56	33010241	1	ELBOW	[5]
58	33005566	5	NUT LOCK HEX M10 ISO7040	
59	33010019	1	PROTECTION FAN	[1]
60	33009950	1	LEFT BRACKET	[5]
61	33009951	1	RIGHT BRACKET	[5]
62	33003146	2	VIBRATION-DAMPING	[4]

Pos.	Product no	QTY	Description	Notes
63	33008157	1	PROTECTION ALTERNATOR	[1]
64	33008206	1	STARTER	[1]
65	33010284	1	PUMP	[2]
66	33010020	1	LDW 903 FAN	[1]
68	33010501	1	VALVE DEPRESSION ENGINE MOTOR	[4]
69	33002993	1	BELT F DIESEL ENGINE FAN	[4]
70	33010457	1	JOINT COMPLETE	[5]
71	33003426	1	CLAMP	[4]

Part Notes:

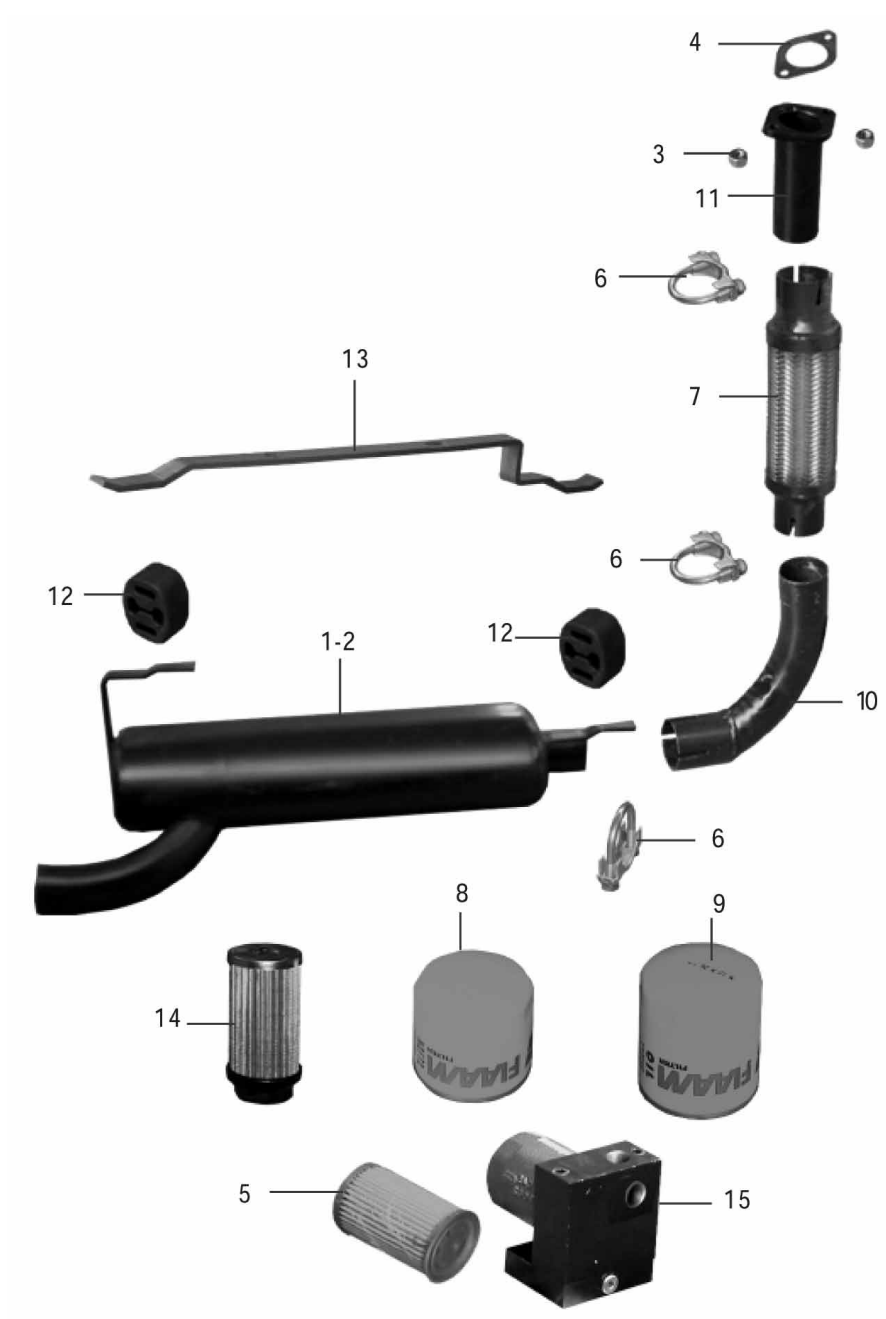
- [1] - GUARANTEE DATE EXPIRED
- [2] - STOCK COVERS GUARANTEE
- [3] - ITEM NO LONGER AVAILABLE
- [4] - NO LONGER AVAILABLE
- [5] - SEE PI 2017-002



Pos.	Product no	QTY	Description	Notes
01	33009574	1	DIESEL TANK 34 D	[1]
02	33023425	1	HOSE FUEL D.7.9X14.3 L.3000MM SIP	[1]
03	33010181	1	FILTER WATER	[2]
04	L08603189	1	BARB HOSE 90 D.6 PLASTIC	
05	33011224	1	FITTING 90 M-F 1/4	
06	33023299	1	CAP FUEL TANK D.61X5 SIP	[3]
07	33013397	2	BAND METAL F TANK FIXING	[2]
08	33013396	1	SUPPORT DIESEL TANL GALV.	[2]
09	33023208	1	WASHER PLAIN M8 ISO7089 10 PCS SET	
10	33023574	4	NUT LOCK HEX M8 ISO10511 PCS 10 SET	
11	44906510	1	CLAMP HOSE 10-16/9 PCS.10 SET	
12	33011517	1	RUBBER SEAL HOLDER 1/4 D	[1]
13	909 6089 000	1	GROMMET D.18 TYPE P WS6	
14	33015234	1	HOSE FUEL 6X13 L.2000MM SIP	[2]
15	33008602	1	FLOAT DIESEL LEVEL L. 178MM	[3]
16	145 5873 000	6	SCREW 4.2X19 SELF PAN HD PHIL ISO7049	

Part Notes:

- [1] - NO LONGER AVAILABLE
- [2] - STOCK COVERS GUARANTEE
- [3] - GUARANTEE DATE EXPIRED



SILENCER AND FILTERS

SR 1550C D

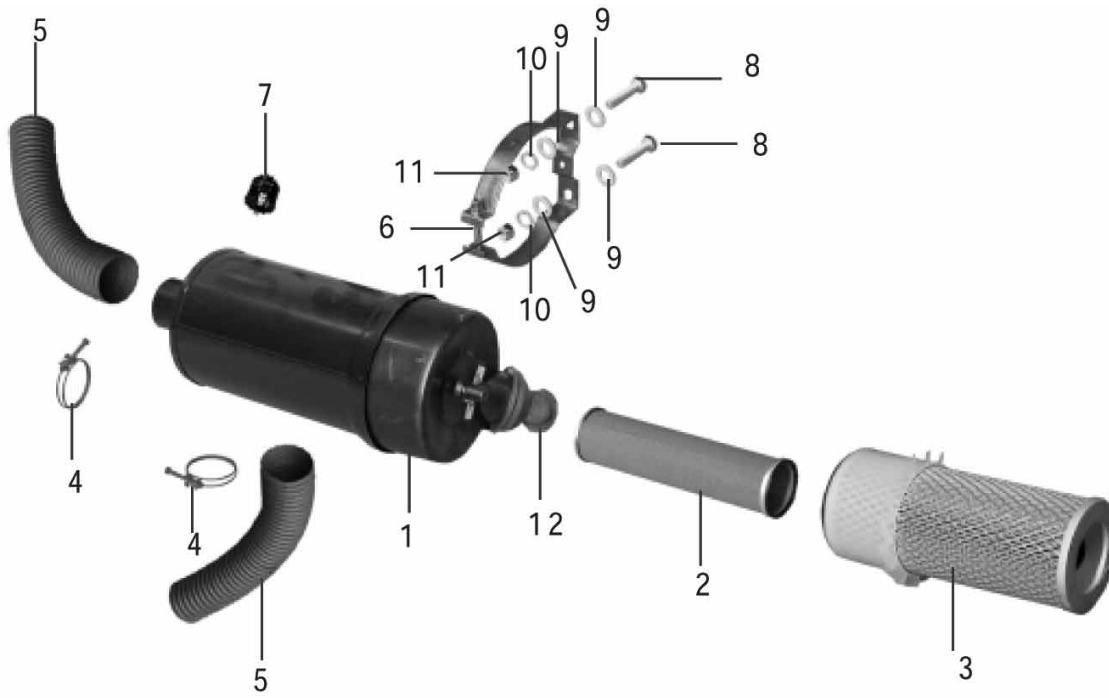
2017.11.02

2013.04.02

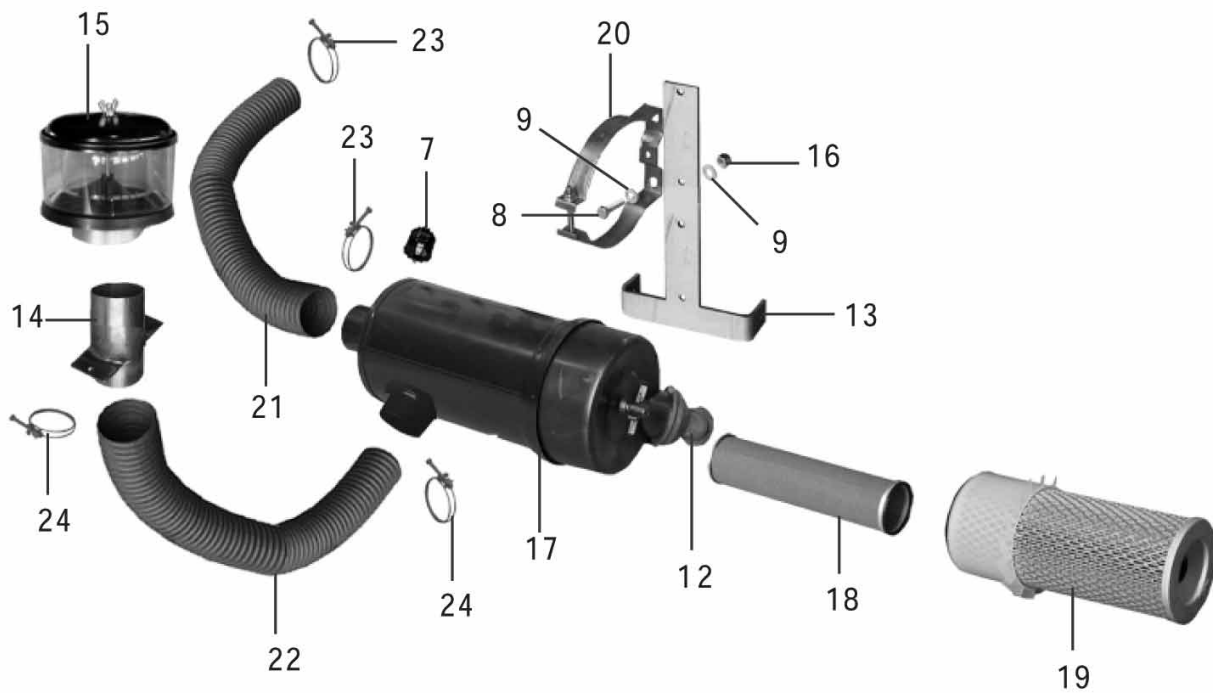
Pos.	Product no	QTY	Description	Notes
01	33001022	1	SILENCER F/MUFFLER	[1]
02	33009740	1	CATALITYIC SILENCER	[2]
03	33005694	2	NUT COPPER F MUFFLER	[1]
04	33011725	1	GASKET	[1]
05	33010218	1	FILTER F TRACTION PUMP	[3]
06	33003543	3	COLLAR	[4]
07	33000861	1	HOSE FLEXIBLE	[1]
08	33010203	1	CARTRIDGE FILTER DIESEL MOTOR	[3]
09	33010204	1	OIL FILTER ENGINE	[3]
10	33001493	1	SILENCER ELBOW	[1]
11	33001215	1	FLANGE	[1]
12	33009814	2	PLUG SILENCE FIXING	[1]
13	33013249	1	SUPPORT	[1]
14	33010199	1	FILTER HYDRAULIC OIL	
15	33010220	1	PUMP OIL FILTER KIT	[3]

Part Notes:

- [1] - GUARANTEE DATE EXPIRED
- [2] - PRUNED ACCESSORY
- [3] - STOCK COVERS GUARANTEE
- [4] - NO LONGER AVAILABLE



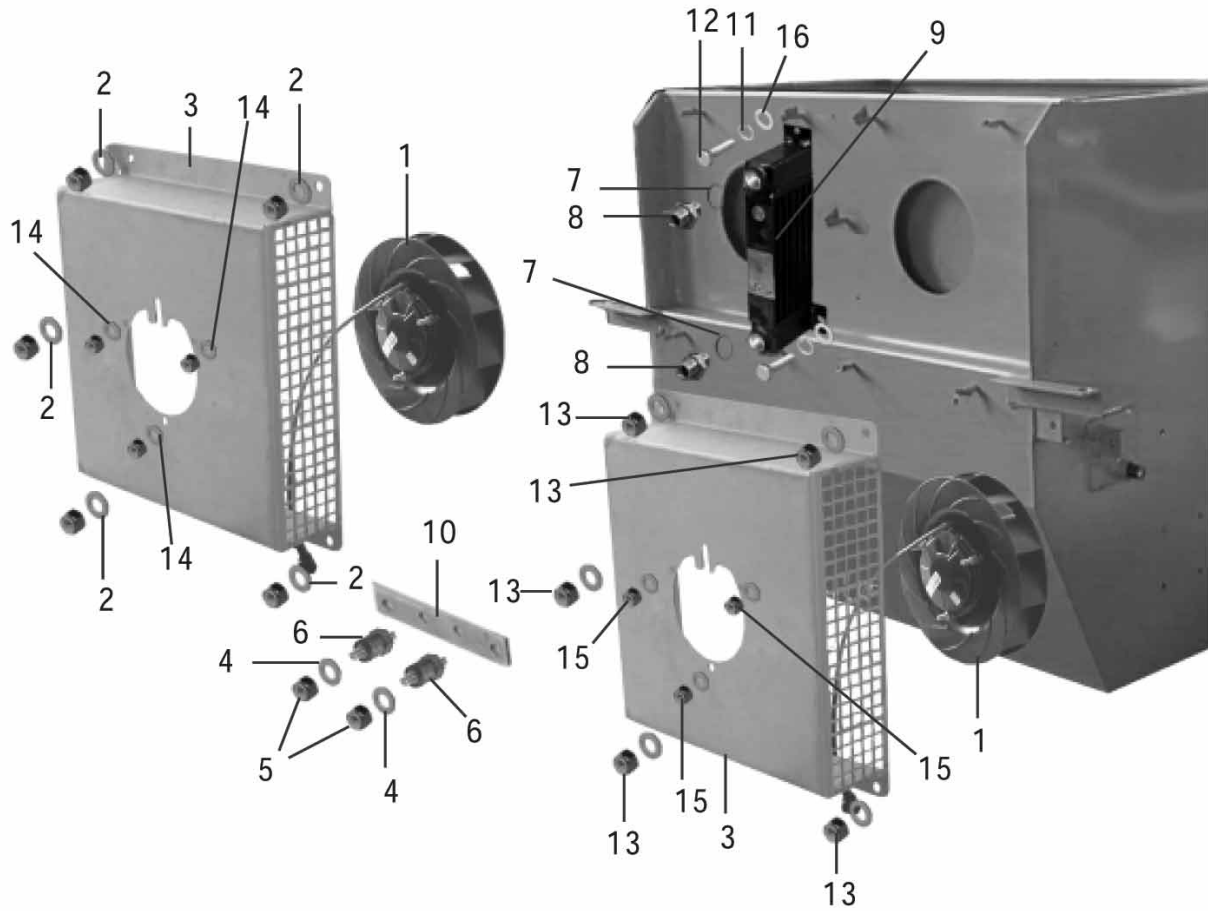
DOPPIO FILTRO - DOUBLE FILTER - FILTRE DOUBLE - DOPPELFILTER



Pos.	Product no	QTY	Description	Notes
01	33010153	1	AIR FILTER	[1]
02	33010155	1	CARTRIDGE SAFETY AIR FILTER	[1]
03	33010156	1	CARTRIDGE AIR FILTER	[1]
04	33003553	4	WIRE HOSE CLAMP D.51-56	[1]
05	33015238	1	HOSE SELF EXTINGUISH. D.51 L.3000MM SIP	[2]
06	33003541	1	COLLAR	[1]
07	33008591	1	FILTER BLOCKED INDICATOR	[3]
08	33005444	2	SCREW M8X20 HEX HD F/THD ISO4017	
09	33023208	1	WASHER PLAIN M8 ISO7089 10 PCS SET	
10	33005842	2	WASHER SPRING LOCK M8 DIN127-B	
11	146 1567 000	2	NUT HEX M8 HIGHT ISO4033	[4]
12	33009816	1	BELLOWS AIR FILTER	[1]
13	33013258	1	SUPPORT FILTER	[3]
14	33013148	1	COUPLING	[3]
15	33010164	1	PRECLEANER CENTRIFUGAL MODEL CT	[4]
16	33023574	2	NUT LOCK HEX M8 ISO10511 PCS 10 SET	
17	33010154	1	FILTER	[3]
18	33010158	1	CARTRIDGE AIR FILTER	[1]
19	33010157	1	CARTRIDGE AIR FILTER	
20	33003542	1	COLLAR	[2]
21	33015239	1	KIT PIPE SELF-GOVERNMENT	
22	33015240	1	HOSE SELF EXTINGUISHING D. 64 L.2000MM	[1]
23	33003554	2	WIRE HOSE CLAMP D57-64	[1]
24	33014607	2	WIRE HOSE CLAMP D.64-72	[2]

Part Notes:

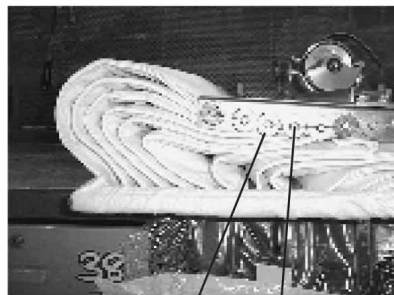
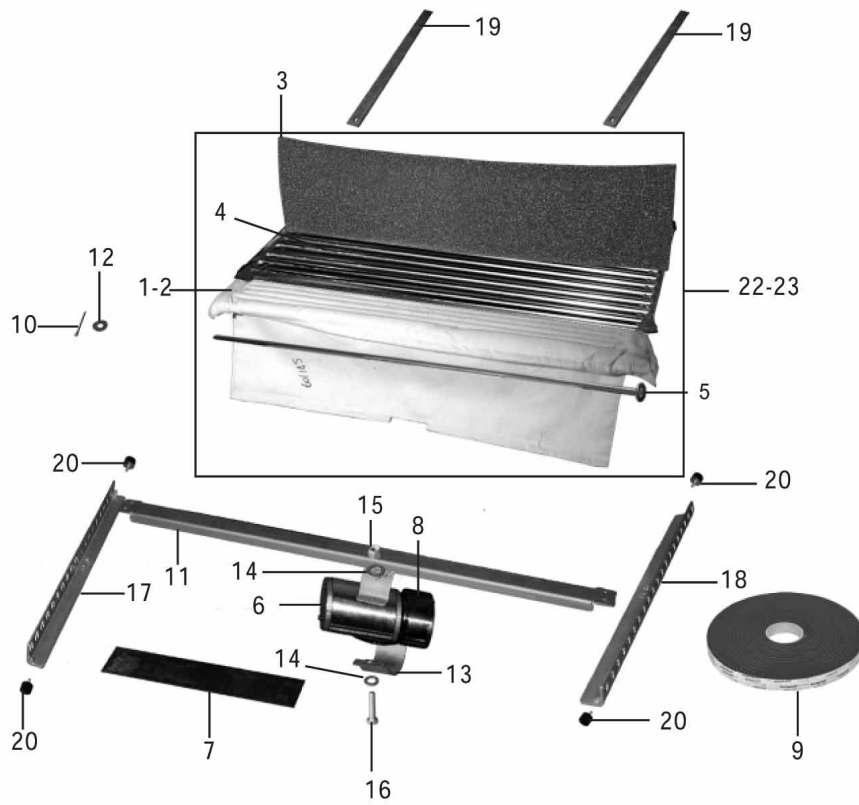
- [1] - STOCK COVERS GUARANTEE
- [2] - NO LONGER AVAILABLE
- [3] - GUARANTEE DATE EXPIRED
- [4] - SEE PI 2017-002



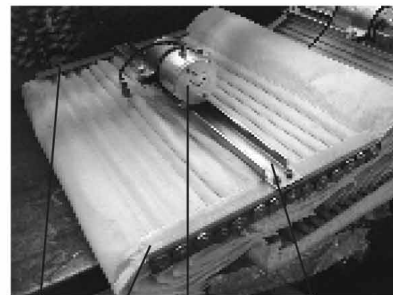
Pos.	Product no	QTY	Description	Notes
01	33015222	2	FAN RADIAL 12V	
02	33023208	10	WASHER PLAIN M8 ISO7089 10 PCS SET	
03	33015358	2	FAN MOTOR SUPPORT	
04	1466530000	2	WASHER PLAIN M6X18 ISO7093 10 PCS SET	
05	33023469	6	NUT LOCK HEX M6 ISO7040 10 PCS SET	
06	33023396	6	WASHER PLAIN M6X12 ISO7089 10 PCS SET	
07	145 5172 000	2	SEAL BONDED 1/2	[1]
08	33011186	2	NIPPLE 1/2	[2]
09	33001303	1	RADIATOR	[1]
10	33023207	10	NUT LOCK HEX M8 ISO7040 10 PCS SET	
11	33005851	2	WASHER SPRING LOCK M6 DIN127-B	
12	33023255	2	SCREW M6X16 HEX ISO4017 10 PCS SET	

Part Notes:

- [1] - GUARANTEE DATE EXPIRED
- [2] - NO LONGER AVAILABLE



12 5

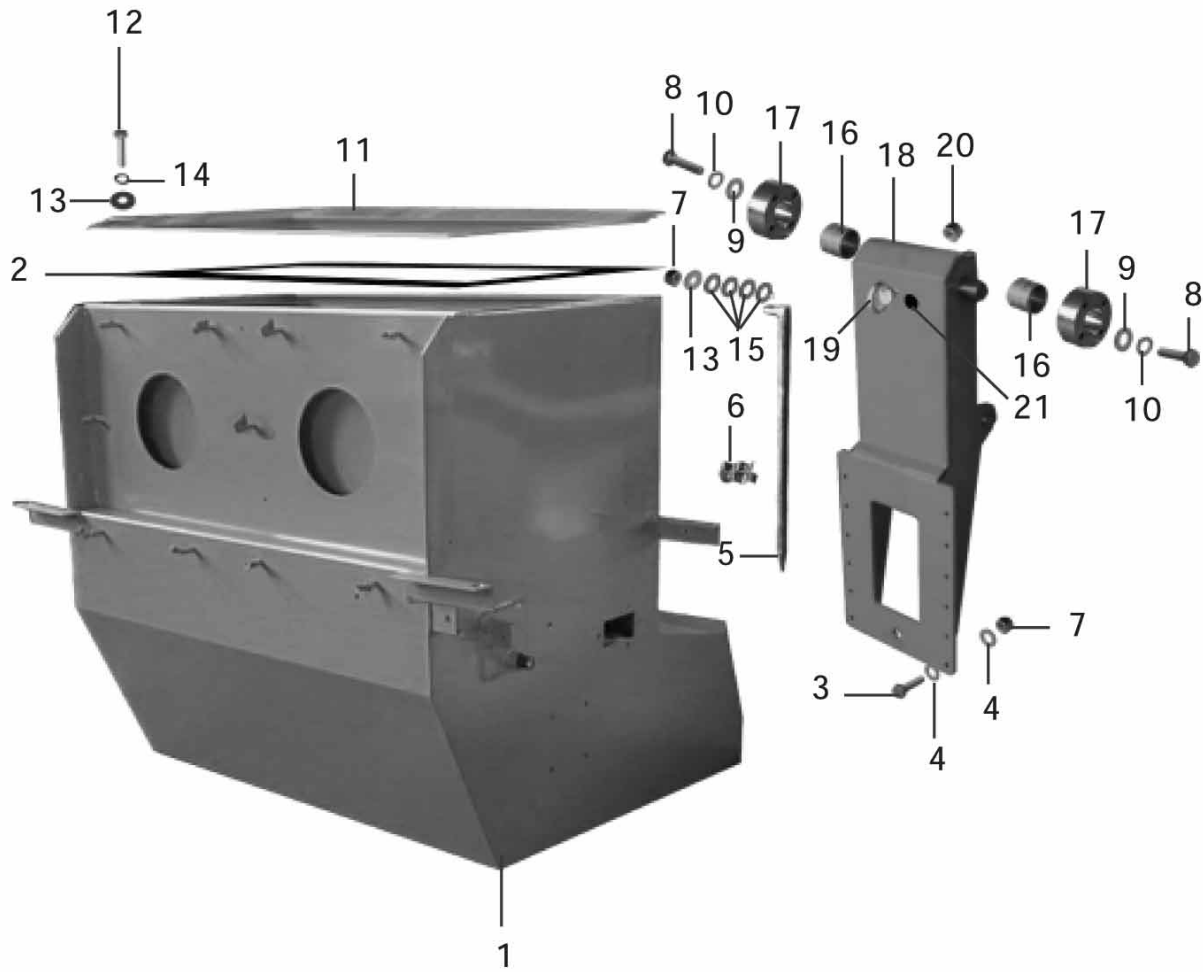


17 18 6-9 11

Pos.	Product no	QTY	Description	Notes
01	33011979	1	TAMIFELT FILTER	[1]
02	33001266	1	FILTER MERAKLON POCKET	[1]
03	33001268	1	SEPARATORS KIT	[2]
04	33013199	1	FRAME	[3]
05	33013203	14	ROD F CLOTH POCKET FILTER	[1]
06	33023185	1	MOTOR FILTER SHAKER 110W 12V SIP	[2]
07	33000781	1	GASKET	[2]
08	33000794	1	ECCENTRIC	[1]
09	33015256	1	GASKET ADHESIVE 30X8 L.7000MM SIP	[1]
10	33005782	14	PIN SPLIT 3.2X50 ISO1234	[4]
11	33013200	1	SUPPORT FILTER SHACKER MOTOR	[1]
12	33003744	14	WASHER PLAIN M10X30X2.5 ISO7093	
13	33013092	1	COLLAR	[1]
14	33023208	1	WASHER PLAIN M8 ISO7089 10 PCS SET	
15	33023574	2	NUT LOCK HEX M8 ISO10511 PCS 10 SET	
16	33003996	2	SCREW M8X30 HEX HD F/THD ISO4017	
17	33013195	1	ANGULAR RT FILTER SHAKER	[1]
18	33013196	1	ANGULAR LT	[1]
19	33013197	2	PROFILE FILTER FASTENING	[1]
20	33003131	4	VIBRATION-DAMPING M6	
21	33011978	1	FILTER ANTISTATIC YELLOW	[1]
22	33000578	1	COMPLETE POCKET FILTER	[1]

Part Notes:

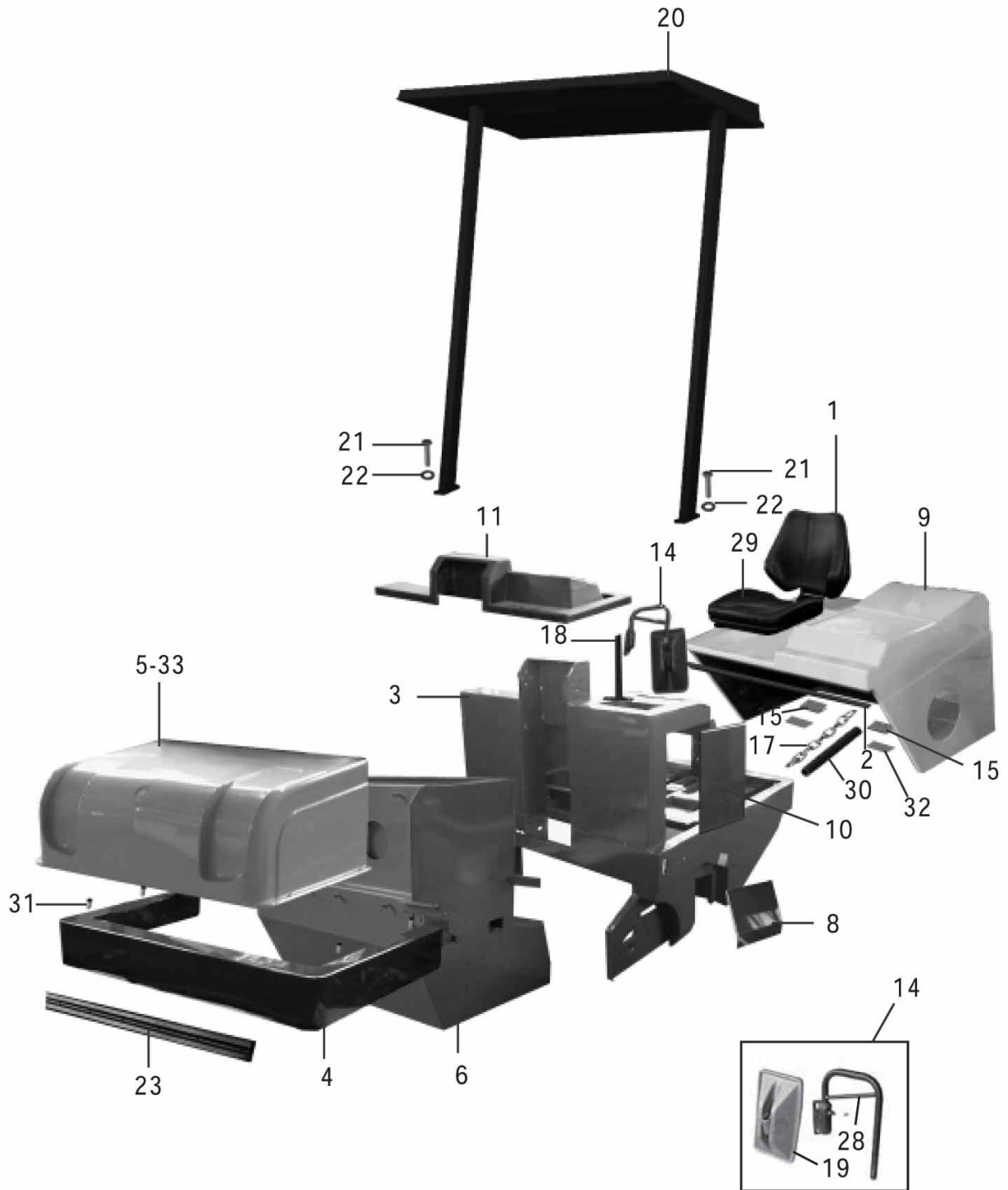
- [1] - GUARANTEE DATE EXPIRED
- [2] - NO LONGER AVAILABLE
- [3] - ONLY USED FOR PRODUCTION
- [4] - STOCK COVERS GUARANTEE



Pos.	Product no	QTY	Description	Notes
01	33012609	1	HOPPER	[1]
02	33015258	1	GASKET ADHESIVE 20X3 L.5000MM SIP	
03	33003996	12	SCREW M8X30 HEX HD F/THD ISO4017	
04	33023208	3	WASHER PLAIN M8 ISO7089 10 PCS SET	
05	33013063	1	BAR SAFETY	[2]
06	33000738	1	SPRING ROD HOLDER	[2]
07	33005565	13	NUT LOCK HEX M8 ISO7040	
08	33023182	1	SCREW M10X35 HEX HD ISO4017 10 PCS SET	[2]
09	33023224	1	WASHER PLAIN M10 ISO7089 10 PCS SET	
10	33005843	8	WASHER SPRING LOCK M10 DIN127-B	
11	33012765	1	COVER	[1]
12	33005444	6	SCREW M8X20 HEX HD F/THD ISO4017	
13	33003740	7	WASHER PLAIN M8X20X1.25 DIN522	
14	33005842	6	WASHER SPRING LOCK M8 DIN127-B	
15	33023628	4	WASHER PLAIN M16X30 ISO7089 10PCS.SET	
16	33003112	2	BUSHING MB 32X36X30	[2]
17	33013209	2	SUPPORT	[2]
18	33012610	1	ARM LIFTING HOPPER WASTE	[1]
19	33007638	1	EYEBOLT M20 DIN580	[3]
20	33005579	1	NUT LOCK HEX M20 ISO7040	[1]
21	33014592	1	CAP HOLE COVER D.22	[1]

Part Notes:

- [1] - GUARANTEE DATE EXPIRED
- [2] - STOCK COVERS GUARANTEE
- [3] - NO LONGER AVAILABLE



Pos.	Product no	QTY	Description	Notes
00	33018239	1	GUARD OVERHEAD KIT	[1]
01	33009589	1	SEAT CUSHION	
02	33015256	1	GASKET ADHESIVE 30X8 L.7000MM SIP	[2]
03	33012541	1	FRAME D	[3]
04	33012764	1	BUMPER	[4]
05	33022280	1	HOPPER BONNET	[2]
06	33012609	1	HOPPER	[2]
07	33012743	1	CASE RIGHT	[2]
08	33012741	1	CASE LEFT	[2]
09	33022281	1	BONNET ENGINE D	[2]
10	33012745	1	DOOR LATERAL	[2]
11	33001178	1	DASHBOARD	[4]
12	33015266	1	GASKET BULB REINFORCED L.3000MM	[2]
13	33001476	1	PLATE D-S	[2]
14	33009326	1	MIRROR LEFT	[2]
15	33013726	2	HINGE	[3]
16	146 2844 000	1	TAPE ADHESIVE ANTISLIP KIT	[2]
17	33015267	1	CHAIN GENOVESE 20X6 D.3.4 GALV. L.1000MM	[5]
18	33014407	1	SUPPORT MIRROR	[4]
19	33009331	1	MIRROR CASING REARVIEW	[2]
20	33012753	1	GUARD OVERHEAD	[2]
21	33004009	4	SCREW M10X25 HEX HD F/THD ISO4017	
22	33005896	4	WASHER SPRING CONICAL M10X23 UNI8836	
23	33009841	4	BUMPER SIDE RUBBER	[6]
24	33004347	44	SCREW M6X25 CAP HD HEX SOCK ISO4762	
25	33012792	1	PROTECTION	[2]
26	33012786	1	PLATE	[2]
27	33012785	1	FOOTREST	[2]
28	33009330	1	BAR F LT MIRROR	[2]
29	33009595	1	SEAT CUSHION	[6]
30	33015269	1	SHEATH MEGADYNE D.16X14 L.800MM SIP	[7]
31	32400259	4	INSERT CYLINDER M6 WURTH094862 06	[8]
32	33013208	2	PLATE	[2]
33	33014922	1	COVER SR1550 HOMOL	[4]

Part Notes:

- [1] - Not shown in the drawing
SEE PI 2017-002
- [2] - GUARANTEE DATE EXPIRED
- [3] - ITEM NO LONGER AVAILABLE
- [4] - SEE PI 2017-002
- [5] - STOCK COVERS GUARANTEE
- [6] - PRUNED ACCESSORY
- [7] - NO LONGER AVAILABLE
- [8] - GUARANTEE PERIOD EXPIRED

LIFTING CYLINDER

SR 1550C D

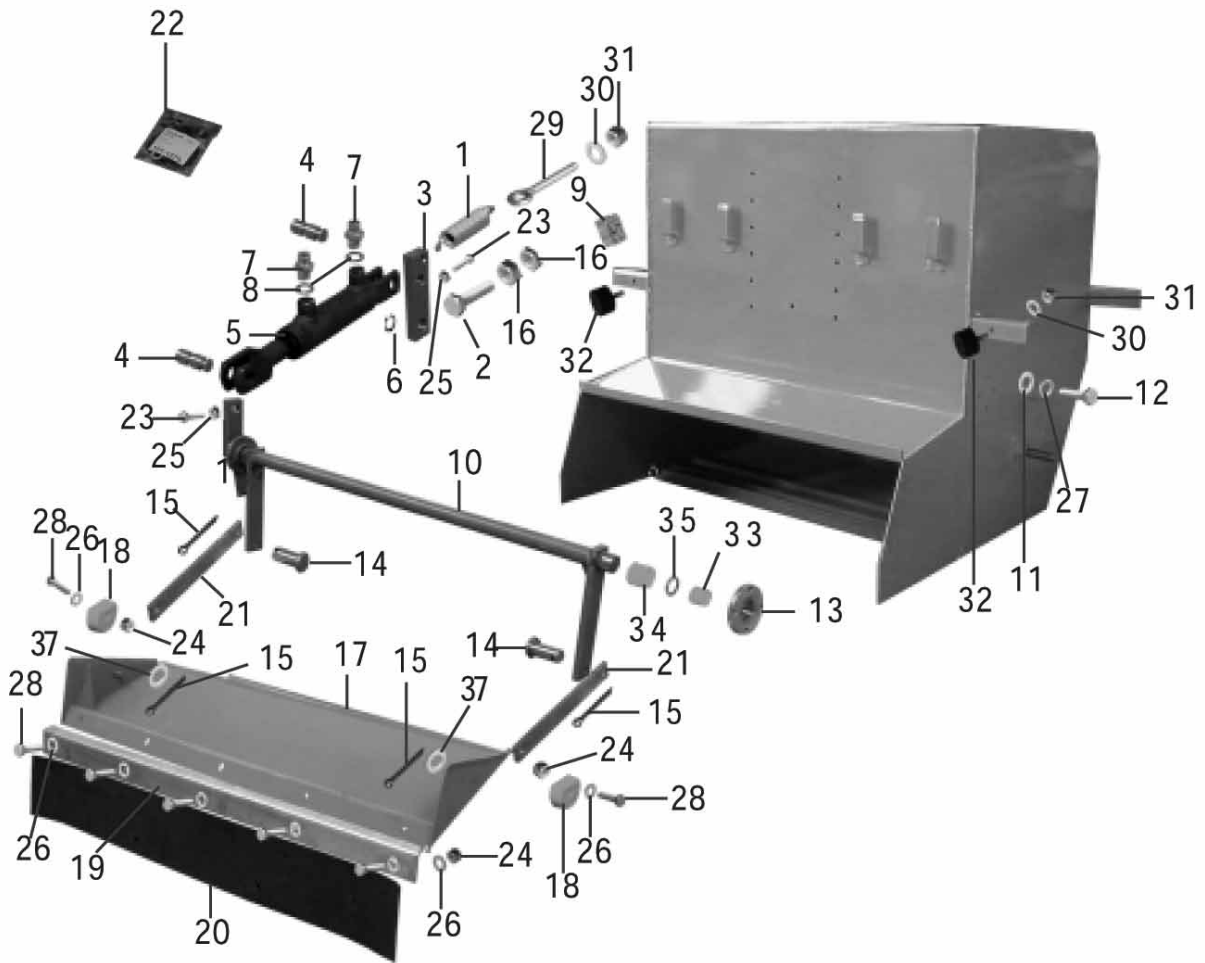
2017.11.02

2018.01.18

Pos.	Product no	QTY	Description	Notes
01	33001313	1	CYLINDER HYDRAULIC	[1]
02	146 1482 000	4	RING D 25 UNI7435	[2]
03	33003093	1	BUSHING IGLY K4 25X28X20	
04	33000985	2	PIN	[1]
05	33011259	1	BANJO BOLT 1/4 D.1 CALIBRATED ORIFICE	[2]
06	33011718	10	SEAL BONDED 1/4	
07	33011254	2	BANJO BOLT 1/4	
08	33010486	1	CHECK VALVE 1/4 DUAL PILOT OPERATED	
09	1467011000	2	NIPPLE 1/4 4 PCS SET	
10	33011485	1	EYE WITH COUNTERBORING 1/	[3]
11	33011758	1	GASKET KIT HOPPER	[1]

Part Notes:

- [1] - GUARANTEE DATE EXPIRED
- [2] - STOCK COVERS GUARANTEE
- [3] - ITEM NO LONGER AVAILABLE



Pos.	Product no	QTY	Description	Notes
01	33001227	1	SPRING EXTENSION D.E.25 WIRE D.4.5	[1]
02	146 0820 000	1	SCREW M12X55 HEX HD F/THD ISO4017	
03	33013189	1	LEVER	[2]
04	33013187	2	PIN PHOS.	[3]
05	33001298	1	CYLINDER HYDRAULIC F/FLAP	[4]
06	9100001346	1	RING D 20 UNI7435 10 PCS SET	
07	33011193	2	CALIBRATE NIPPLES 1/4	[2]
08	33011718	2	SEAL BONDED 1/4	
09	33003439	3	DOUBLE COLLAR D12	[3]
10	33012607	1	SHAFT CLOSING FLAP	[3]
11	33023208	8	WASHER PLAIN M8 ISO7089 10 PCS SET	
12	33023307	8	SCREW M8X16 HEX HD ISO4017 10 PCS SET	
13	33013081	1	FLANGE RT PHOS.	[2]
14	33013076	2	PIN PHOS.	[2]
15	33005777	4	PIN SPLIT 3.2X32 GALV. ISO1234	
16	33005472	2	NUT HEX M12 HIGHT ISO4033	[2]
17	33013188	1	DEFLECTOR GALV.	[4]
18	33000782	2	HINGE	[2]
19	33013191	1	SEAL STOP	[3]
20	33001224	1	GASKET F/FLAP SEAL	
21	33013186	2	LEVER F SKIRT	[3]
22	33011772	1	GASKET KIT CYL FLAP/SIDE	[3]
23	33023470	2	SCREW M6X20 HEX HD ISO4017 10 PCS SET	
24	33023667	11	NUT LOCK HEX M6 LOW ISO10511 5 PCS SET	
25	33005468	2	NUT HEX M6 HIGHT ISO4033	[2]
26	33023396	16	WASHER PLAIN M6X12 ISO7089 10 PCS SET	
27	33023223	8	WASHER SPRING LOCK M8 DIN127B 10 PCS SET	
28	33023255	11	SCREW M6X16 HEX ISO4017 10 PCS SET	
29	33001517	1	TIE ROD	[2]
30	33023224	3	WASHER PLAIN M10 ISO7089 10 PCS SET	
31	33005566	3	NUT LOCK HEX M10 ISO7040	
32	33003129	2	VIBRATION -DAMPING	
33	33003111	1	BUSHING DU 30/34X15	[2]
34	33003123	1	RING	[2]
35	33003276	1	RING	[2]
37	33023316	2	WASHER PLAIN M14 ISO7089 10 PCS SET	

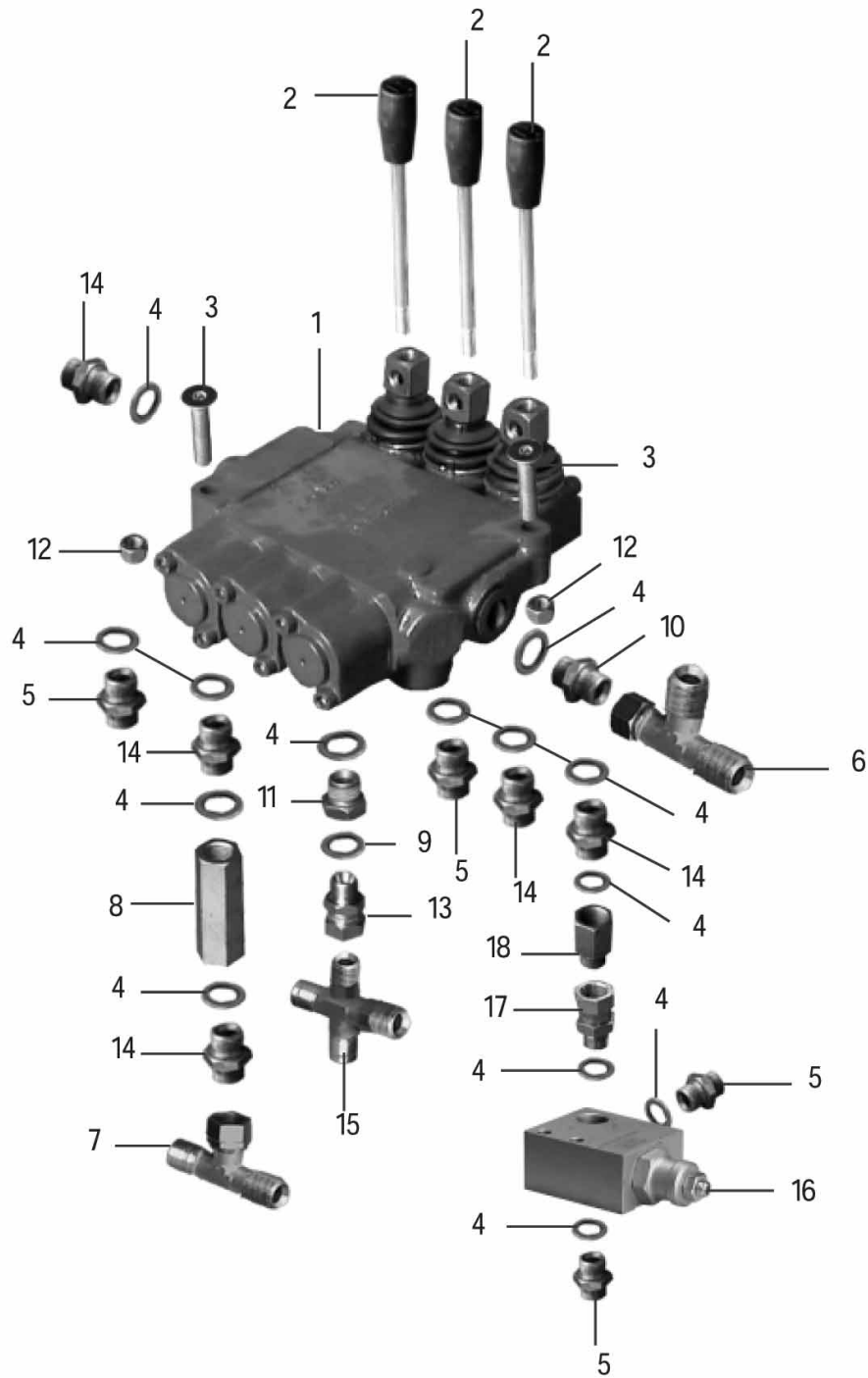
Part Notes:

- [1] - SEE PI 2017-002
- [2] - STOCK COVERS GUARANTEE
- [3] - GUARANTEE DATE EXPIRED
- [4] - NO LONGER AVAILABLE

Pos.	Product no	QTY	Description	Notes
01	33010760	1	HOSE HYDRAULIC	[1]
02	33010761	1	HOSE HYDRAULIC	[2]
03	33010788	1	HOSE HYDRAULIC	[2]
04	33010762	1	HOSE HYDRAULIC	[1]
05	33010763	2	HOSE HYDRAULIC 1/4 L 900	[1]
06	33010764	1	HOSE HYDRAULIC	[2]
07	33010765	1	HOSE HYDRAULIC 3/8 L 550	[1]
08	33010766	1	HOSE HYDRAULIC	[2]
09	33010767	1	HOSE HYDRAULIC 1/4 L 2500	[1]
10	33010768	1	HOSE HYDRAULIC	[2]
11	33010769	1	HOSE HYDRAULIC	[3]
12	33010770	1	HOSE HYDRAULIC	[2]
13	33010771	1	HOSE HYDRAULIC	[2]
14	33010772	1	HOSE HYDRAULIC 3/8 L 450	[1]
15	33010773	1		
16	33010774	2	HOSE HYDRAULIC	[2]
17	33010775	1	HOSE HYDRAULIC	[2]
18	33010776	2	HOSE HYDRAULIC	[2]
19	33014069	1		
22	33010741	1		
23	33010742	1	HOSE HYDRAULIC 3/4 L 800	[2]
24	33010743	1	HOSE HYDRAULIC 3/8 L 1100	[1]
41	33012769	1	OIL TANK	[3]
42	33010199	1	FILTER HYDRAULIC OIL	
43	33001468	1	CYLINDER MAIN BROOM	[4]
44	33010388	1	PUMP TRACTION	[5]
45	33009945	1	ENGINE DIESEL LDW 1003	[2]
46	33017886	1	MOTOR HYDRAULIC MS 200 K-PAINTED	
47	33010528	1	DISTRIBUTOR 3 ELEMENTS	[6]
48	33001298	1	CYLINDER HYDRAULIC F/FLAP	[3]
49	33001313	1	CYLINDER HYDRAULIC	[2]
50	33023380	1	MOTOR HYDRAULIC F MAIN BROOM KIT	
51	33018183	1	MOTOR HYDRAULIC MP 160 C-PAINTED	
52	33018183	1	MOTOR HYDRAULIC MP 160 C-PAINTED	
53	33001303	1	RADIATOR	[2]
54	33010481	2	CHECK VALVE FF 3/8 VU-G3/8	
55	33001470	1	CYLINDER 30/20 50	[2]
56	33001470	1	CYLINDER 30/20 50	[2]
57	33010483	2	CHECK VALVE 1/4 SINGLE PILOT OPERATED	[4]
58	33010494	1	VALVE PRIORITY	[1]
59	33010486	1	CHECK VALVE 1/4 DUAL PILOT OPERATED	

Part Notes:

- [1] - SEE PI 2017-002
- [2] - GUARANTEE DATE EXPIRED
- [3] - NO LONGER AVAILABLE
- [4] - STOCK COVERS GUARANTEE
- [5] - ITEM NO LONGER AVAILABLE
- [6] - PLEASE CONTACT:SPARE-PARTS.COM@NILFISK.COM

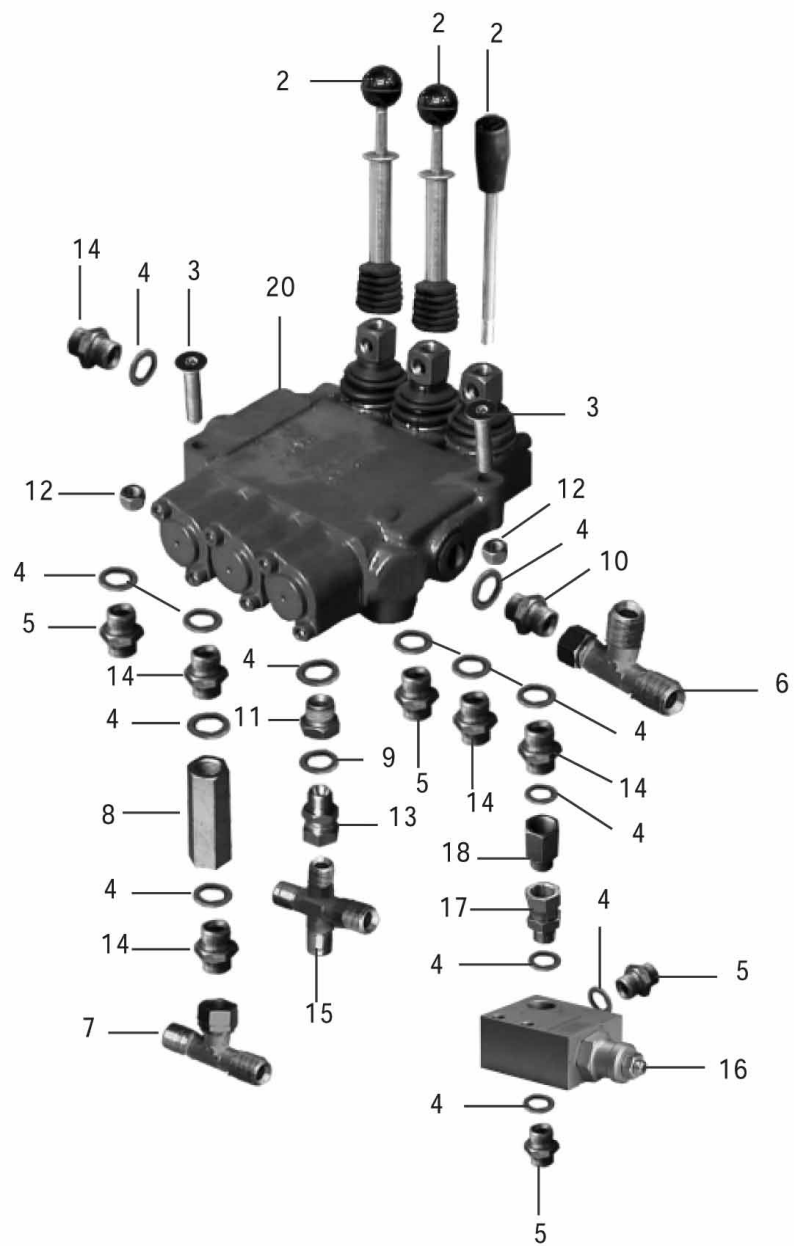


Pos.	Product no	QTY	Description	Notes
01	33010528	1	DISTRIBUTOR 3 ELEMENTS	[1]
02	33010495	3	DISTRIBUTOR LEVER	[2]
03	146 2510 000	2	SCREW M6X45 C/SUNK FLAT HD HEX ISO10642	[2]
04	33023468	2	SEAL BONDED 3/8 10 PCS SET	[2]
05	33011205	2	NIPPLE 3/8-1/4	[3]
06	33011243	1	T-FITTING 1/2	[2]
07	33011245	1	FITTING TEE MM/F CENTR. ADJ. 3/8	[2]
08	33010481	1	CHECK VALVE FF 3/8 VU-G3/8	
09	1467007000	1	SEAL BONDED 1/4 10 PCS SET	
10	33011208	1	NIPPLE 3/8-1/2	[4]
11	33011494	1	REDUCTION GEAR MF 3/8 1	
12	33023469	1	NUT LOCK HEX M6 ISO7040 10 PCS SET	
13	33011403	1	ROTATING JOINT 1/4	[4]
14	33011185	5	NIPPLE 3/8	[4]
15	33011655	1	FITTING 1/4	[3]
16	33010494	1	VALVE PRIORITY	[5]
17	33011401	1	ROTATING JOINT 3/8	[3]
18	33011363	1	ADAPTER M/F STRAIGHT 3/8 L.45MM HEX22	[5]
19	33014405	2	LEVER	[2]
20	33014199	1	DISTRIBUTOR 3 ELEMENTS	[2]

Part Notes:

- [1] - PLEASE CONTACT:SPARE-PARTS.COM@NILFISK.COM
- [2] - GUARANTEE DATE EXPIRED
- [3] - NO LONGER AVAILABLE
- [4] - STOCK COVERS GUARANTEE
- [5] - SEE PI 2017-002

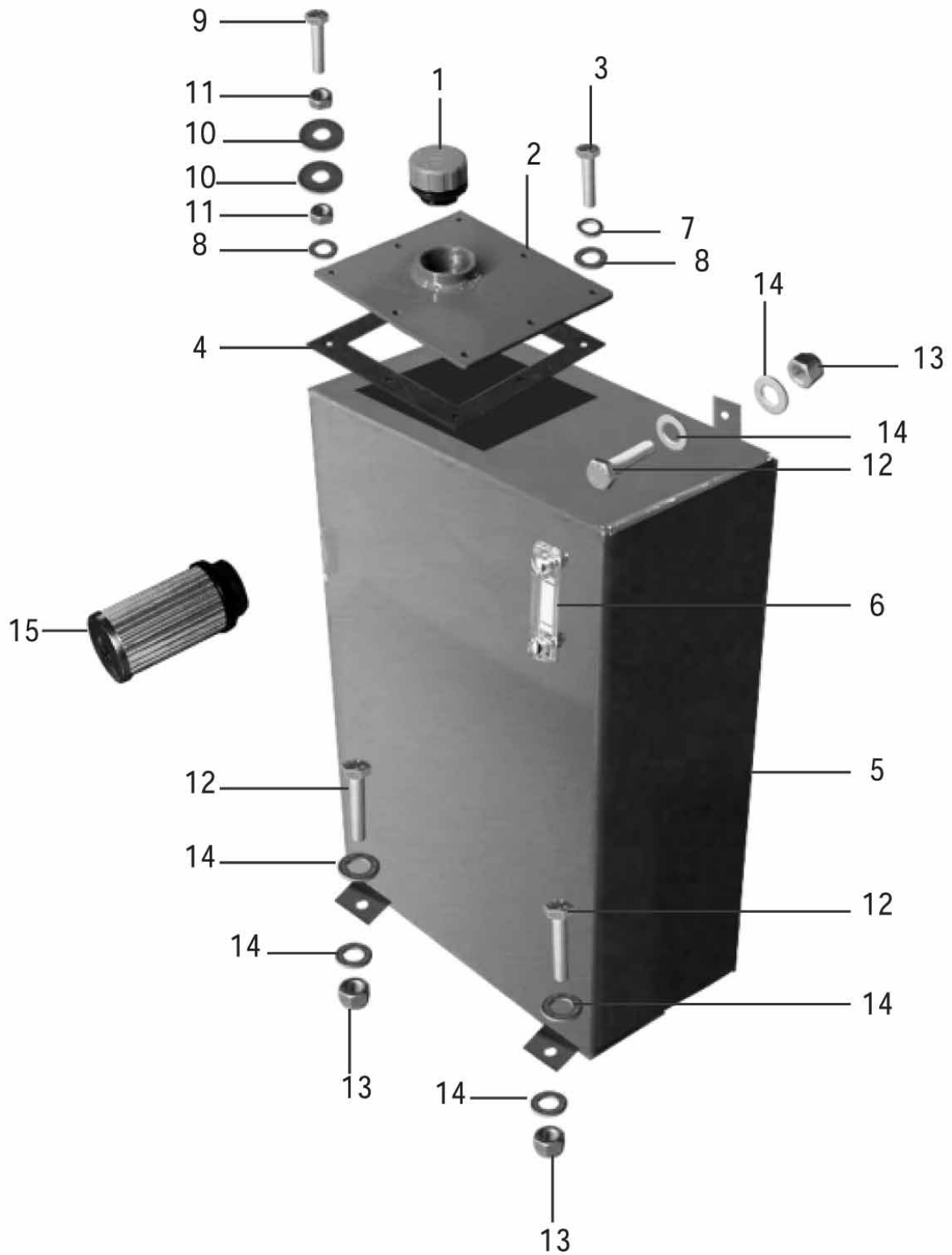
MODELLO OMOLOGATO - APPROVED MODEL - MODÈLE HOMOLOGUÉ - GENEHMIGT MODELL



Pos.	Product no	QTY	Description	Notes
01	33010528	1	DISTRIBUTOR 3 ELEMENTS	[1]
02	33010495	3	DISTRIBUTOR LEVER	[2]
03	146 2510 000	2	SCREW M6X45 C/SUNK FLAT HD HEX ISO10642	[2]
04	33023468	2	SEAL BONDED 3/8 10 PCS SET	[2]
05	33011205	2	NIPPLE 3/8-1/4	[3]
06	33011243	1	T-FITTING 1/2	[2]
07	33011245	1	FITTING TEE MM/F CENTR. ADJ. 3/8	[2]
08	33010481	1	CHECK VALVE FF 3/8 VU-G3/8	
09	1467007000	1	SEAL BONDED 1/4 10 PCS SET	
10	33011208	1	NIPPLE 3/8-1/2	[4]
11	33011494	1	REDUCTION GEAR MF 3/8 1	
12	33023469	1	NUT LOCK HEX M6 ISO7040 10 PCS SET	
13	33011403	1	ROTATING JOINT 1/4	[4]
14	33011185	5	NIPPLE 3/8	[4]
15	33011655	1	FITTING 1/4	[3]
16	33010494	1	VALVE PRIORITY	[5]
17	33011401	1	ROTATING JOINT 3/8	[3]
18	33011363	1	ADAPTER M/F STRAIGHT 3/8 L.45MM HEX22	[5]
19	33014405	2	LEVER	[2]
20	33014199	1	DISTRIBUTOR 3 ELEMENTS	[2]

Part Notes:

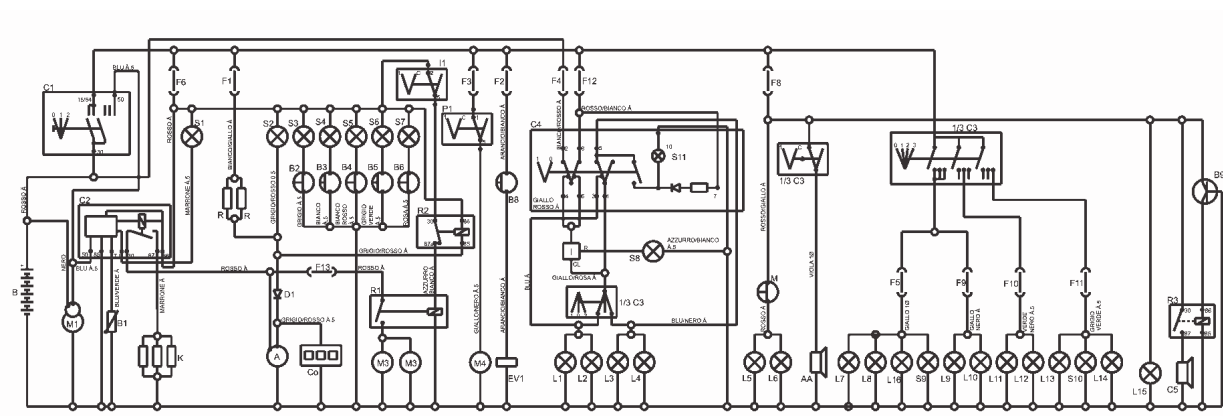
- [1] - PLEASE CONTACT:SPARE-PARTS.COM@NILFISK.COM
- [2] - GUARANTEE DATE EXPIRED
- [3] - NO LONGER AVAILABLE
- [4] - STOCK COVERS GUARANTEE
- [5] - SEE PI 2017-002



Pos.	Product no	QTY	Description	Notes
01	33011530	1	CAP BREATHER W/SPLASH GUARD 1 1/4	
02	33013211	1	COVER TANK OIL	[1]
03	33023470	7	SCREW M6X20 HEX HD ISO4017 10 PCS SET	
04	33001307	1	GASKET	[2]
05	33012769	1	OIL TANK	[3]
06	33011529	1	INDICATOR COLUMN OIL LEVEL M10	
07	33005851	7	WASHER SPRING LOCK M6 DIN127-B	
08	33023396	8	WASHER PLAIN M6X12 ISO7089 10 PCS SET	
09	33003979	1	SCREW M6X40 HEX HD F/THD ISO4017	[1]
10	1466530000	2	WASHER PLAIN M6X18 ISO7093 10 PCS SET	
11	33005468	2	NUT HEX M6 HIGHT ISO4033	[4]
12	33005445	3	SCREW M8X25 HEX HD F/THD ISO4017	
13	33023207	3	NUT LOCK HEX M8 ISO7040 10 PCS SET	
14	33023208	6	WASHER PLAIN M8 ISO7089 10 PCS SET	
15	33010199	1	FILTER HYDRAULIC OIL	

Part Notes:

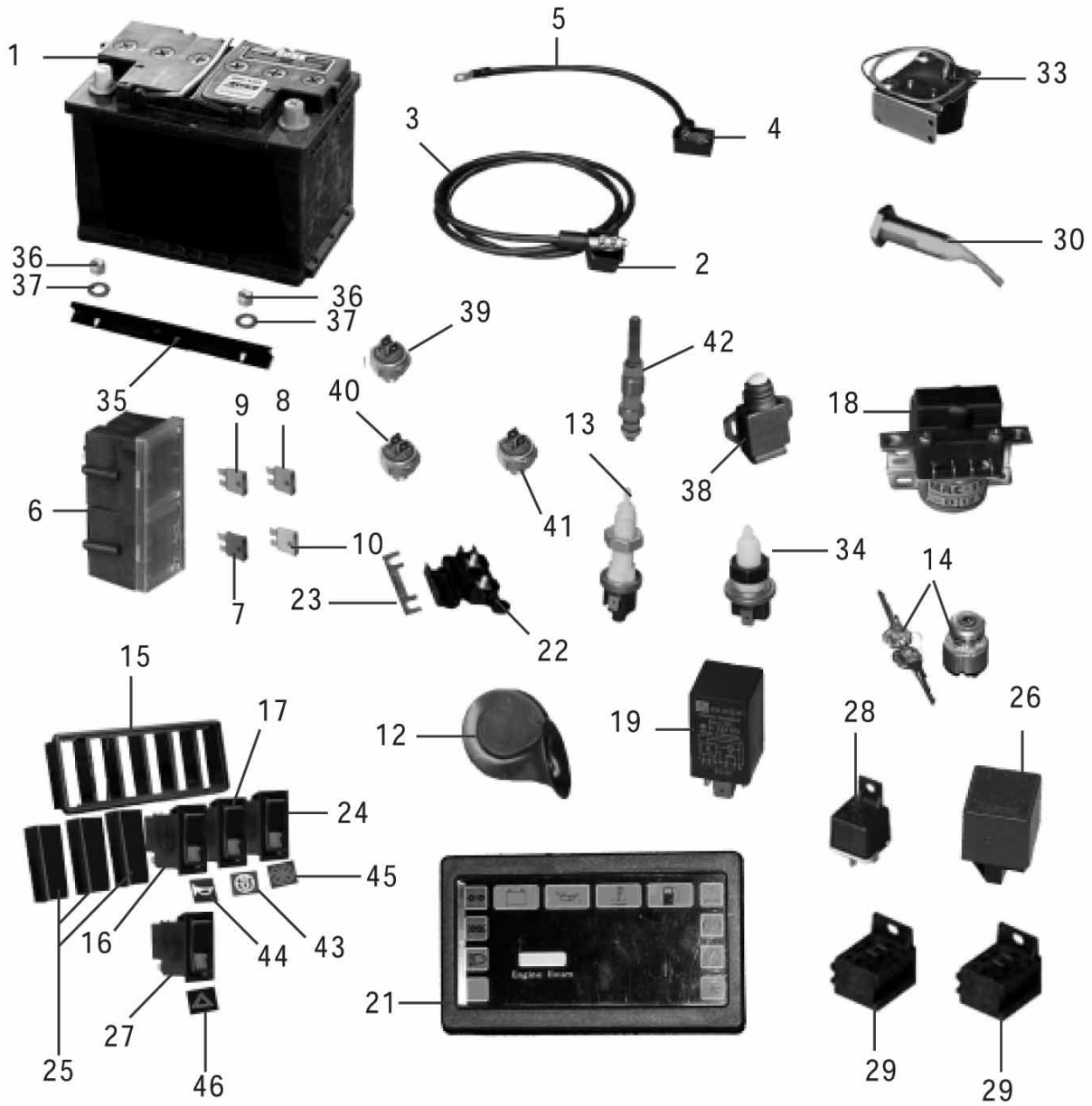
- [1] - GUARANTEE DATE EXPIRED
- [2] - BOM COMPONENTS OBSOLETE
- [3] - NO LONGER AVAILABLE
- [4] - STOCK COVERS GUARANTEE



Pos.	Product no	QTY	Description	Notes
------	------------	-----	-------------	-------

RIF.	DESCRIZIONE	DESCRIPTION	DESIGNATION	BESCHREIBUNG
A	ALTERNATORE 14V-65A	ALTERNATOR 14V-65A	ALTERNATEUR 14V-65A	ALTERNATOR 14V-65A
AA	AVVISATORE ACUSTICO	HORN	KLAXON	HUPE
B	BATTERIA 12V 80A	BATTERY 12V 80A	BATTERIE 12V 80A	BATTERIE 12V 80A
B1	BULBO CANDELETTE	GLOW PLUG TEMPERATURE BULB	BULBE TEMPERATURE BOUGIES	KERZENTEMPATURKUGEL
B2	BULBO OLIO	OIL BULB	BULBE HUILE	ÖLKUGEL
B3	BULBO ACQUA MOTORE	ENGINE WATER BULB	BULBE EAU MOTEUR	KONT. WASSERKUGEL
B4	MICRO FRENO STAZIONAMENTO	MICRO PARKING BRAKE	MICRO FREIN A MAIN	MIKROSCHALTER STANDBREMSE
B5	BULBO FILTRO ARIA	AIR FILTER BULB	BULBE FILTRE AIR	LUFTFILTERKUGEL
B6	INDICATORE LIVELLO CARBURANTE	FUEL LEVEL INDICATOR	INDICATEUR NIVEAU CARBURANT	TREIBSTOFFSTAND
B8	MICRO SICUREZZA COFANO	BONNET SAFETY MICRO	MICRO SECURITE CAPOT	MIKRO VERKLEIDUNG
B9	SENSORE RETROMARCIA	REVERSE GEAR SENSOR	CAPTEUR MARCHE ARRIERE	RÜCKWÄRTSGANGSENSOR
CO	CONTORE	HOUR COUNTER	COMPTE-HEURES	STDE ABZÄHLUNG
C1	COMMUTATORE AVVIAMENTO A CHIAVE	KEY STARTER COLLECTOR	COMMUTEUR DEMARRAGE A CLE	KOMUTATOR SCHLÜSSELSTART
C2	CENTRALINA CANDELETTE	GLOW PLUG POWER UNIT	BLOC D'ALIMENTATION BOUGIES	KERZENINHEIT
C3	DEVIO LUCI	LIGHT LEVER	INTERRUPTEUR DEV. FEUX	UMLENKER BELEUCHTUNG
C4	INTERRUTTORE LUCI EMERGENZA	EMERGENCY LIGHTS SWITCH	INTERRUPTEUR FEUX DE SECOURS	KIPPSCHALTER NOTBELEUCHTUNG
C5	CICALINO RETROMARCIA	REVERSE GEAR HORN	SONNERIE MARCHE ARRIERE	RÜCKWÄRTSGANGSUMMER
D1	DIODO 1N4007	DIODE 1N4007	DIODE 1N4007	DIODE 1N4007
EV1	ELETTROVALVOLA GASOLIO	GASOIL SOLENOID VALVE	SOLÉNOÏDE GAS-OIL	DIESEL-ELEKTROVENTIL
F1	FUSIBILE ALTERNATORE	ALTERNATOR FUSE	FUSIBLE ALTERNATEUR	SCHMELZS ALTERNATOR
F2	FUSIBILE ELETTROVALVOLA GASOLIO	GASOIL SOLENOID VALVE FUSE	FUSIBLE SOLÉNOÏDE GAS-OIL	SCHMELZS DIESEL-ELEKTROVENTIL
F3	FUSIBILE SCUOTIFILTRO	FILTER SHAKER-SYSTEM FUSE	FUSIBLE DÉCOLMATAGE	SCHMELZS. FILTERRÜTTLER
F4	FUSIBILE INDICATORI DI DIREZIONE	DIRECTION INDICATORS FUSE	FUSIBLE CLIGNOTANTS	SCHMELZS. BLINKER
F5	FUSIBILE LUCI DI POSIZIONE SX	LEFT PARKING LIGHTS FUSE	FUSIBLE FEUX DE POSITION GAUCHE	SCHMELZS. POSITIONSLEUCHTENLINKS
F6	FUSIBILE CRUSCOTTO - CENTRALINA CANDELETTE	PLUGS POWER BOX - DASHBOARD FUSE	FUSIBLE TABLEAU DE BORD ET CENTRALE BOUGIES	SCHMELZS. ARMATURENBRETT - GLÜHKERZENGEHÄUSE
F8	FUSIBILE AVVISATORE ACUSTICO - LUCI ARRESTO	HORN - STOP LIGHTS FUSE	FUSIBLE KLAXON - FEUX D'ARRÊT	SCHMELZS. HUPE - STOPLEUCHTEN
F9	FUSIBILE LUCI DI POSIZIONE DX	RIGHT PARKING LIGHTS FUSE	FUSIBLE FEUX DE POSITION DROITE	SCHMELZS. POSITIONSLEUCHTEN RECHTS
F10	FUSIBILE LUCI ANABBAGLIANTI	DIPPED HEADLIGHTS FUSE	FUSIBLE FEUX DE CROISEMENT	SCHMELZS. ABBLENDLICHT
F11	FUSIBILE LUCI ABBAGLIANTI	HEADLIGHTS FUSE	FUSIBLE FEUX DE ROUTE	SCHMELZS. SCHEINWERFER
F12	FUSIBILE LUCI EMERGENZA	EMERGENCY LIGHTS FUSE	FUSIBLE FEUX DE SECOURS	SCHMELZS. NOTBELEUCHTUNG
F13	FUSIBILE MOTORI ASPIRAZIONE	SUCTION SYSTEM FUSE	FUSIBLE ASPIRATION	SCHMELZS. ANSAUGUNG
I1	INTERRUTTORE ASPIRAZIONE	SUCTION SYSTEM SWITCH	INTERRUPTEUR ASPIRATION	ANSAUGUNGSSCHALTER
I	INTERMITTENZA	INTERMITTER	INTERMITTENCE	AUSSETZBETRIE
L1	LUCI IND. DIREZ. ANT. SX	FRONT LEFT DIRECTION INDICATOR	FEU DE DIRECTION AVANT GAUCHE	RICHTUNGSLICHT VORNE LINKS
L2	LUCI IND. DIREZ. POST. SX	REAR LEFT DIRECTION INDICATOR	FEU DE DIRECTION ARRIÈRE GAUCHE	RICHTUNGSLICHT HINTEN RECHTS
L3	LUCI IND. DIREZ. ANT. DX	FRONT RIGHT DIRECTION INDICATOR	FEU DE DIRECTION AVANT DROIT	RICHTUNGSLICHT VORNE RECHTS
L4	LUCI IND. DIREZ. POST. DX	REAR RIGHT DIRECTION INDICATOR	FEU DE DIRECTION ARRIÈRE DROIT	RICHTUNGSLICHT HINTEN RECHTS
L5	LUCI ARRESTO SX	LEFT STOP INDICATOR	FEU ARRÊT GAUCHE	STOPLICHT LINKS
L6	LUCI ARRESTO DX	RIGHT STOP INDICATOR	FEU ARRÊT DROIT	STOPLICHT RECHTS
L7	LUCI POSIZIONE ANTERIORE SX	FRONT LEFT PARKING LIGHT	FEU DE POSITION AVANT GAUCHE	POSITIONSLICHT VORNE LINKS
L8	LUCI POSIZIONE POSTERIORE DX	REAR RIGHT PARKING LIGHT	FEU DE POSITION ARRIÈRE DROIT	POSITIONSLICHT HINTEN LINKS
L9	LUCI POSIZIONE ANTERIORE DX	FRONT RIGHT PARKING LIGHT	FEU DE POSITION AVANT DROIT	POSITIONSLICHT VORNE RECHTS
L10	LUCI POSIZIONE POSTERIORE SX	REAR LEFT PARKING LIGHT	FEU DE POSITION ARRIÈRE GAUCHE	POSITIONSLICHT HINTEN RECHTS
L11	LUCI ANABBAGLIANTE SX	LEFT DIPPED HEADLIGHT	FEU DE CROISEMENT GAUCHE	ABBLENDLICHT LINKS
L12	LUCI ANABBAGLIANTE DX	RIGHT DIPPED HEADLIGHT	FEU DE CROISEMENT DROIT	ABBLENDLICHT RECHTS
L13	LUCI ABBAGLIANTE SX	LEFT HEADLIGHT	FEU DE ROUTE GAUCHE	FERNLICHT LINKS
L14	LUCI ABBAGLIANTE DX	RIGHT HEADLIGHT	FEU DE ROUTE DROIT	FERNLICHT RECHTS
L15	LAMPEGGIANTE	FLASHING LIGHT	CLIGNOTANT	BLINKLEUCHE
L16	LUCI TARGA	REG. PLATE LIGHT	FEU PLAQUETTE	KENNZEICHENSCHILDEUCHE
M	MICRO LUCI ARRESTO	STOP LIGHTS MICROSW.	MICRO-FEUX D'ARRÊT	MIKROSCHALTER STOPBELEUCHTUNG
M1	MOTORINO AVVIAMENTO	STARTER	DEMARREUR	ANLASSERMOTOR
M3	MOTORE VENTOLA ASPIRAZIONE	SUCTION FAN ENGINE	MOTEUR VENTILATEUR ASPIRATION	ABSAUGLAUFRAHMOTOR
M4	MOTORE SCUOTIFILTRO	FILTER SHAKER MOTOR	MOT. DE COLMATAGE FILT.	FILTERRÜTTLERMOTOR
P1	PULSANTE SCUOTIFILTRO	FILTER SHAKER BUTTON	BOUCON COLMATAGE	FILTERRÜTTLERKNOPF
R	RESISTENZA	RESISTOR	RESISTENCE	LAUDNGSWIDERSTAND
R1	RELÉ VENTOLA ASPIRAZIONE	SUCTION FAN RELAY	RELAIS VENTILATEUR ASPIRATION	RELAIS ABSAUGLAUFRAHD
R2	RELÉ SICUREZZA VENTOLA ASPIRAZIONE	SUCTION FAN SAFETY RELAY	RELAIS VENTILATEUR ASPIRATION SECURITE	RELAIS SICHERHEIT ABSAUGLAUFRAHD
R3	RELÉ CICALINO RETROMARCIA	REVERSE GEAR HORN RELAY	RELAIS SONNERIE MARCHE ARRIERE	RÜCKWÄRTSGANGSUMMER RELAIS
S1	SPIA CANDELETTE	GLOW PLUGS WARNING LIGHT	VOYANT BOUGIES	ZÜNDKERZENKONTROLLEUCHE
S2	SPIA BATTERIA	BATTERY WARNING LIGHT	VOYANT BATTERIE	BATTERIEKONTROLLEUCHE
S3	SPIA OLIO	OIL WARNING LIGHT	VOYANT HUILE	ÖLKONTROLLEUCHE
S4	SPIA ACQUA	ENGINE WATER WARNING LIGHT	VOYANT EAU MOTEUR	MOTOR WASSERKONTROLLEUCHE
S5	SPIA FRENO DI STAZIONAMENTO	PARKING BRAKE WARNIGN LIGHT	VOYANT FREIN DE STATIONNEMENT	STANDBREMSENKONTROLLEUCHE
S6	SPIA FILTRO ARIA INTASATO	ENG. AIR FILTER BLOCK. WARNING LIGHT	VOYANT FILTRE AIR MOTEUR COLMATÉ	KONTROLLEUCHE VERSTOPFTER MOTORLUFTFILTER
S7	SPIA RISERVA	RESERVE FUEL WARNING LIGHT	VOYANT RÉSERVE CARBURANT	TREIBSTOFFRESERVEKONTROLLEUCHE
S8	SPIA INDICATORI DI DIREZIONE	DIRECTION INDICATOR WARNING LIGHT	VOYANT CLIGNOTANT	BLINKERKONTROLLEUCHE
S9	SPIA LUCI DI POSIZIONE	PARKING LIGHTS WARNING LIGHT	VOYANT FEUX DE POSITION	POSITIONLEUCHTENKONTROLLEUCHE
S10	SPIA LUCI ABBAGLIANTI	HEADLIGHTS WARNING LIGHT	VOYANT FEUX DE ROUTE	FERNLICHTKONTROLLEUCHE
S11	SPIA LUCI EMERGENZA	WARNING LIGHT	VOYANT FEUX DE SECOURS	NOTBELEUCHTUNGKONTROLLEUCHE
K	CANDELETTE	GLOW PLUGS	BOUGIES	KERZEN

Pos.	Product no	QTY	Description	Notes
------	------------	-----	-------------	-------



RECOMMENDED SPARE PARTS ELECTRICAL SYSTEM 1^{2017.11.02}

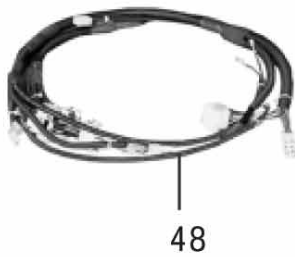
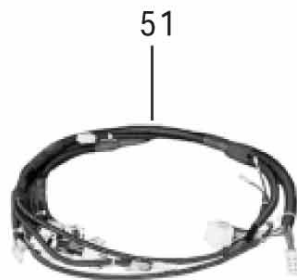
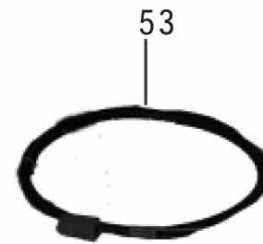
SR 1550C D

2016.09.07

Pos.	Product no	QTY	Description	Notes
00	33018256	1	BUZZER REAR KIT	[1]
01	33008357	1	BATTERY STARTER 12V 74AH	[2]
02	33009805	1	+ RUBBER CAP	[3]
03	33014544	1	WIRE BATTERY +	[2]
04	33009804	1	RUBBER CAP	[4]
05	33014543	1	WIRE BATTERY -	[2]
06	33009174	1	FUSE HOLDER 12 WAY	[2]
07	33009157	6	FUSE 7.5A	[4]
08	1467034000	4	FUSE BLADE 10A SIP	
09	33009159	1	FUSE 15A	[2]
10	33009160	1	FUSE 20A	[2]
11	33008452	1	MOTOR GROUND CONNECTION	[5]
12	33008924	1	HORN 12V 109DB	[5]
13	33008741	1	MICROSWITCH F/PARKBREAKE	[4]
14	33008721	1	SWITCH IGNITION STARTER	[4]
15	33009178	1	BEZEL 6-WAY	[5]
16	33008742	1	SWITCH	[4]
17	33008742	1	SWITCH	[4]
18	33008619	1	REMOTE CONTROL SWITCH	[2]
19	33008271	1	PLUG POWER BOX	[4]
21	1466182000	1	WARNING LIGHT DASHBOARD SIP	[2]
22	145 8046 000	1	HOLDER FUSE	
23	145 9854 000	1	FUSE STRIP 50A	
24	33008761	1	SWITCH	[5]
25	33008929	3	PLUG	[4]
26	1466187000	1	INTERMITTENCE SIP	[4]
27	33008739	1	SWITCH	[5]
28	33009119	1	RELAY 12V 30/40A	[4]
29	33009104	2	SOCKET F MINI RELAY	[2]
30	909 6121 000	1	SENSOR	[4]
33	33008945	1	BUZZER 12V 87 DB	[4]
34	33008740	1	MICROSWITCH F/STOPLIGHT	
35	33013060	1	BATTERY STOP	[4]
36	33005565	2	NUT LOCK HEX M8 ISO7040	
37	33023208	1	WASHER PLAIN M8 ISO7089 10 PCS SET	
38	33009106	1	MICROSWITCH	[2]
39	33008852	1	GLOW PLUGS BULBE	[4]
40	33008853	1	OIL BULBE	[4]
41	33008854	1	WATER BULBE	[4]
42	33008567	3	GLOW PLUG	[4]
43	33008877	1	LEN FILTER OBSTRUCTION YELLOW	[5]
44	33009042	1	LEN HORN	[5]
45	33008866	1	LEN ELECTRICAN FAN	[4]
46	33008851	1	LEN WARNING	[5]
47	33014416	1	HARNESS FILTER SHAKER	[2]
48	33014417	1	HARNESS PRINCIPAL	[2]
49	33014418	1	HARNESS DASHBOARD	[2]
50	33015562	1	HARNESS FANS	[2]
51	33014420	1	HARNESS ENGINE	[2]
52	33014421	1	HARNESS MICRO	[2]
53	33014422	1	HARNESS POWER	[2]

Part Notes:

- [1] - Not shown in the drawing
PRUNED ACCESSORY
- [2] - GUARANTEE DATE EXPIRED
- [3] - SEE PI 2017-002
- [4] - STOCK COVERS GUARANTEE
- [5] - NO LONGER AVAILABLE



RECOMMENDED SPARE PARTS ELECTRICAL SYSTEM 2017.11.02

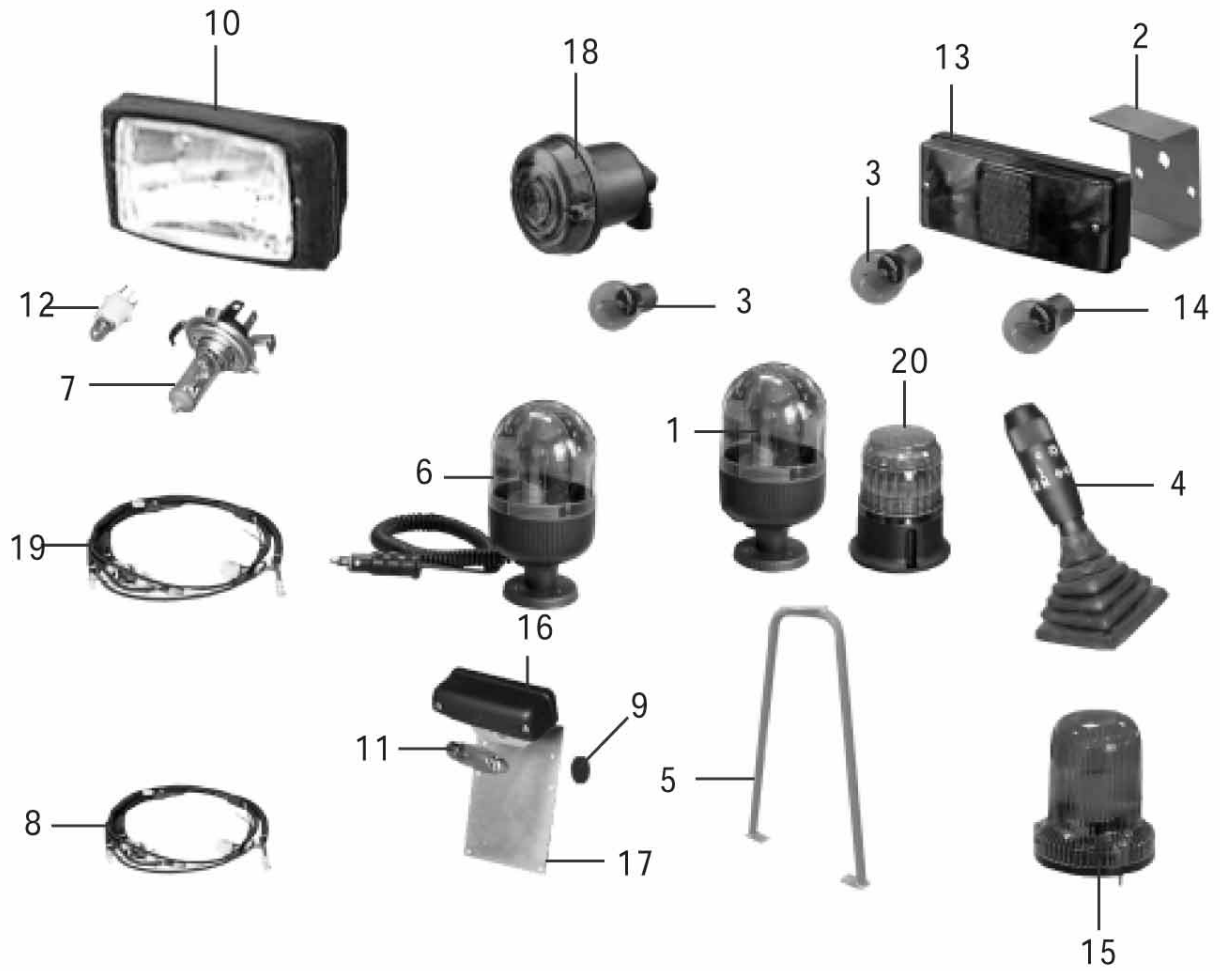
SR 1550C D

2016.09.07

Pos.	Product no	QTY	Description	Notes
00	33018256	1	BUZZER REAR KIT	[1]
01	33008357	1	BATTERY STARTER 12V 74AH	[2]
02	33009805	1	+ RUBBER CAP	[3]
03	33014544	1	WIRE BATTERY +	[2]
04	33009804	1	RUBBER CAP	[4]
05	33014543	1	WIRE BATTERY -	[2]
06	33009174	1	FUSE HOLDER 12 WAY	[2]
07	33009157	6	FUSE 7.5A	[4]
08	1467034000	4	FUSE BLADE 10A SIP	
09	33009159	1	FUSE 15A	[2]
10	33009160	1	FUSE 20A	[2]
11	33008452	1	MOTOR GROUND CONNECTION	[5]
12	33008924	1	HORN 12V 109DB	[5]
13	33008741	1	MICROSWITCH F/PARKBREAKE	[4]
14	33008721	1	SWITCH IGNITION STARTER	[4]
15	33009178	1	BEZEL 6-WAY	[5]
16	33008742	1	SWITCH	[4]
17	33008742	1	SWITCH	[4]
18	33008619	1	REMOTE CONTROL SWITCH	[2]
19	33008271	1	PLUG POWER BOX	[4]
21	1466182000	1	WARNING LIGHT DASHBOARD SIP	[2]
22	145 8046 000	1	HOLDER FUSE	
23	145 9854 000	1	FUSE STRIP 50A	
24	33008761	1	SWITCH	[5]
25	33008929	3	PLUG	[4]
26	1466187000	1	INTERMITTENCE SIP	[4]
27	33008739	1	SWITCH	[5]
28	33009119	1	RELAY 12V 30/40A	[4]
29	33009104	2	SOCKET F MINI RELAY	[2]
30	909 6121 000	1	SENSOR	[4]
33	33008945	1	BUZZER 12V 87 DB	[4]
34	33008740	1	MICROSWITCH F/STOPLIGHT	
35	33013060	1	BATTERY STOP	[4]
36	33005565	2	NUT LOCK HEX M8 ISO7040	
37	33023208	1	WASHER PLAIN M8 ISO7089 10 PCS SET	
38	33009106	1	MICROSWITCH	[2]
39	33008852	1	GLOW PLUGS BULBE	[4]
40	33008853	1	OIL BULBE	[4]
41	33008854	1	WATER BULBE	[4]
42	33008567	3	GLOW PLUG	[4]
43	33008877	1	LEN FILTER OBSTRUCTION YELLOW	[5]
44	33009042	1	LEN HORN	[5]
45	33008866	1	LEN ELECTRICAN FAN	[4]
46	33008851	1	LEN WARNING	[5]
47	33014416	1	HARNESS FILTER SHAKER	[2]
48	33014417	1	HARNESS PRINCIPAL	[2]
49	33014418	1	HARNESS DASHBOARD	[2]
50	33015562	1	HARNESS FANS	[2]
51	33014420	1	HARNESS ENGINE	[2]
52	33014421	1	HARNESS MICRO	[2]
53	33014422	1	HARNESS POWER	[2]

Part Notes:

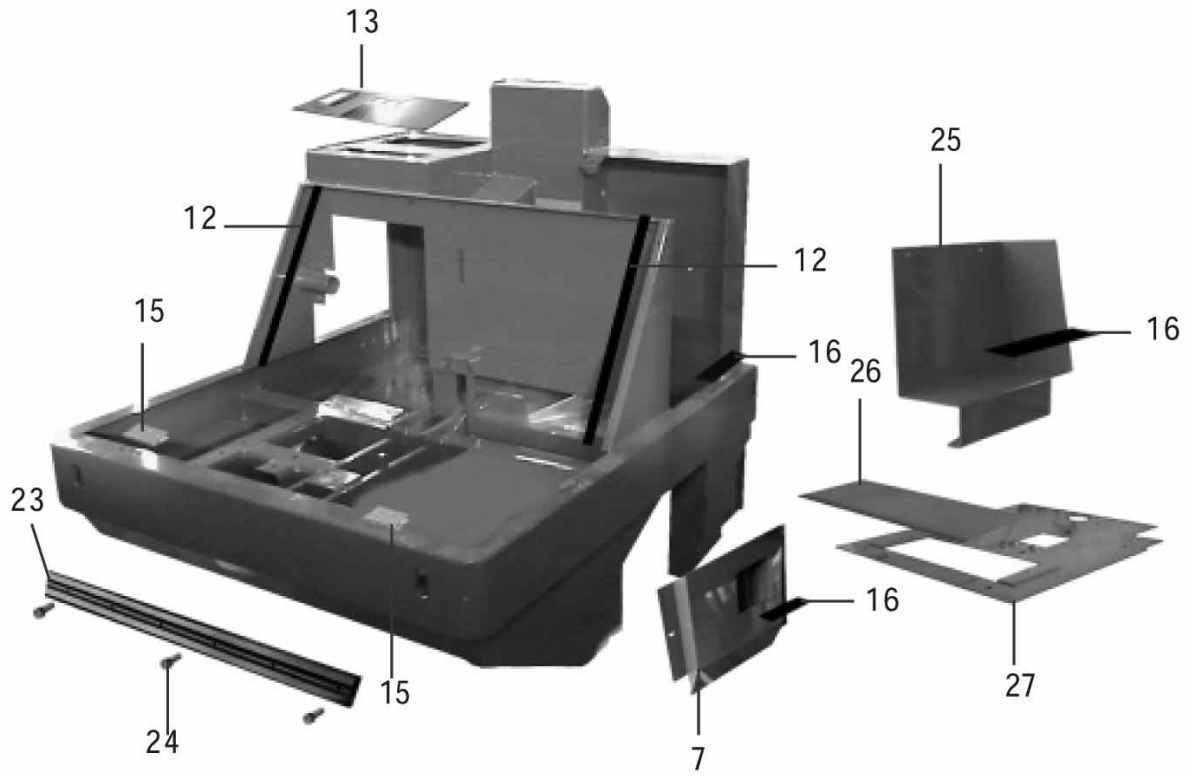
- [1] - Not shown in the drawing
PRUNED ACCESSORY
- [2] - GUARANTEE DATE EXPIRED
- [3] - SEE PI 2017-002
- [4] - STOCK COVERS GUARANTEE
- [5] - NO LONGER AVAILABLE



Pos.	Product no	QTY	Description	Notes
00	33019805	1	LIGHT SYSTEM KIT	[1]
01	33014448	1	FLASHING LIGHT	[2]
02	33013252	2	SUPPORT LIGHTS	[3]
03	33023706	4	LAMP 12V 21W 5 PCS SET	[4]
04	33008948	1	MULTIFUNCTION LEVER	[2]
05	33012756	1	BLINK SUPPORT	[2]
06	33008916	1	FLASHING LIGHT	[3]
07	33009148	2	LAMP 12V 55/60W	[3]
08	33014425	1		
09	33009795	2	BUFFER PAD	[3]
10	33008801	2	HEADLIGHT CPL FRONT	[5]
11	33009202	1	LAMP 12V 5W 11X39	[3]
12	145 3808 000	2	LAMP 12V 3W	[3]
13	33008800	2	BACK H-LIGHT	[3]
14	33023707	4	LAMP 12 5W 5 PCS SET	[3]
15	33023155	1	BEACON LED MULTI-VOLTAGE SIP	
16	33008804	1	LIGHT F/LICENCE PLATE	[3]
17	33013295	1	PLATE HOLDER	[3]
18	33014406	2	INDICATOR LIGHT FRONT	[2]
19	33014423	1	HARNES HEADLIGHTS	[3]
20	33015252	1	FLASHING LIGHT 10-100V	

Part Notes:

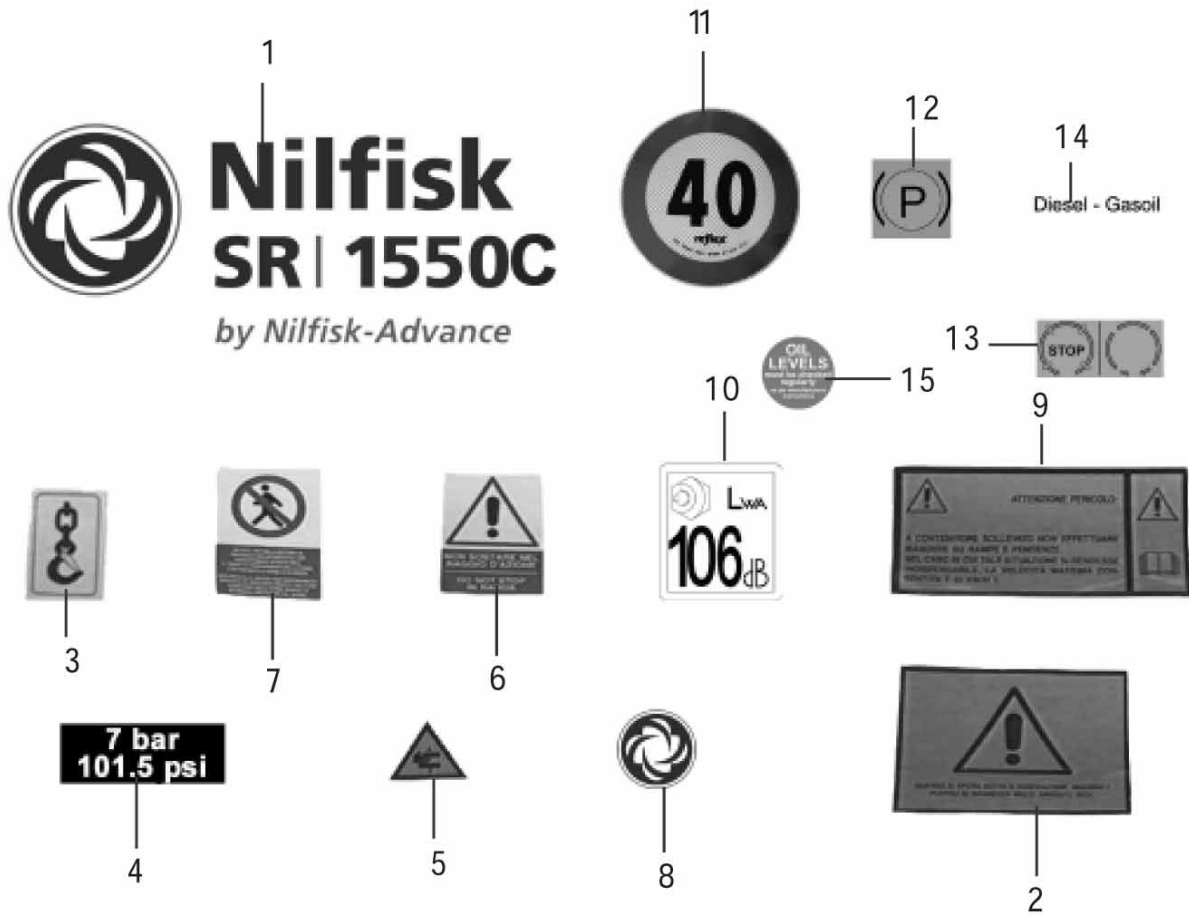
- [1] - Not shown in the drawing
GUARANTEE DATE EXPIRED
- [2] - NO LONGER AVAILABLE
- [3] - GUARANTEE DATE EXPIRED
- [4] - SEE PI 2017-002
- [5] - STOCK COVERS GUARANTEE



Pos.	Product no	QTY	Description	Notes
00	33018239	1	GUARD OVERHEAD KIT	[1]
01	33009589	1	SEAT CUSHION	
02	33015256	1	GASKET ADHESIVE 30X8 L.7000MM SIP	[2]
03	33012541	1	FRAME D	[3]
04	33012764	1	BUMPER	[4]
05	33022280	1	HOPPER BONNET	[2]
06	33012609	1	HOPPER	[2]
07	33012743	1	CASE RIGHT	[2]
08	33012741	1	CASE LEFT	[2]
09	33022281	1	BONNET ENGINE D	[2]
10	33012745	1	DOOR LATERAL	[2]
11	33001178	1	DASHBOARD	[4]
12	33015266	1	GASKET BULB REINFORCED L.3000MM	[2]
13	33001476	1	PLATE D-S	[2]
14	33009326	1	MIRROR LEFT	[2]
15	33013726	2	HINGE	[3]
16	146 2844 000	1	TAPE ADHESIVE ANTISLIP KIT	[2]
17	33015267	1	CHAIN GENOVESE 20X6 D.3.4 GALV. L.1000MM	[5]
18	33014407	1	SUPPORT MIRROR	[4]
19	33009331	1	MIRROR CASING REARVIEW	[2]
20	33012753	1	GUARD OVERHEAD	[2]
21	33004009	4	SCREW M10X25 HEX HD F/THD ISO4017	
22	33005896	4	WASHER SPRING CONICAL M10X23 UNI8836	
23	33009841	4	BUMPER SIDE RUBBER	[6]
24	33004347	44	SCREW M6X25 CAP HD HEX SOCK ISO4762	
25	33012792	1	PROTECTION	[2]
26	33012786	1	PLATE	[2]
27	33012785	1	FOOTREST	[2]
28	33009330	1	BAR F LT MIRROR	[2]
29	33009595	1	SEAT CUSHION	[6]
30	33015269	1	SHEATH MEGADYNE D.16X14 L.800MM SIP	[7]
31	32400259	4	INSERT CYLINDER M6 WURTH094862 06	[8]
32	33013208	2	PLATE	[2]
33	33014922	1	COVER SR1550 HOMOL	[4]

Part Notes:

- [1] - Not shown in the drawing
SEE PI 2017-002
- [2] - GUARANTEE DATE EXPIRED
- [3] - ITEM NO LONGER AVAILABLE
- [4] - SEE PI 2017-002
- [5] - STOCK COVERS GUARANTEE
- [6] - PRUNED ACCESSORY
- [7] - NO LONGER AVAILABLE
- [8] - GUARANTEE PERIOD EXPIRED



Pos.	Product no	QTY	Description	Notes
01	33013695	2	DECAL SR 1550C	[1]
02	33000956	1	DECAL WORKING UNDER THE HOPPER -IT	[2]
03	33000968	4	DECAL HOOKING AND LIFTING POINT	[1]
04	33000959	3	DECAL 7 BAR 101.5 PSI	[2]
05	33000973	2	DECAL WARNING CRUSHING	
06	33000970	2	DECAL KEEP CLEAR -IT	[1]
07	33000976	1	DECAL SHOULD NOT BE USED -IT	[2]
08	33013692	1	DECAL LOGO NILFISK D.52	[1]
09	33000955	1	DECAL WARNING DANGER -IT	[2]
10	33001433	1	DECAL SOUND POWER LEVEL LWA 106 DB	[2]
11	33012081	1	DECAL 40 KM/H	[1]
12	33002165	1	DECAL PARKING BRAKE	[1]
13	33002167	1	DECAL KEY	[1]
14	33001699	1	DECAL DIESEL-GASOIL	[1]
15	33015885	1	DECAL OIL CHECK -UK	[3]

Part Notes:

- [1] - NO LONGER AVAILABLE
- [2] - GUARANTEE DATE EXPIRED
- [3] - STOCK COVERS GUARANTEE

